

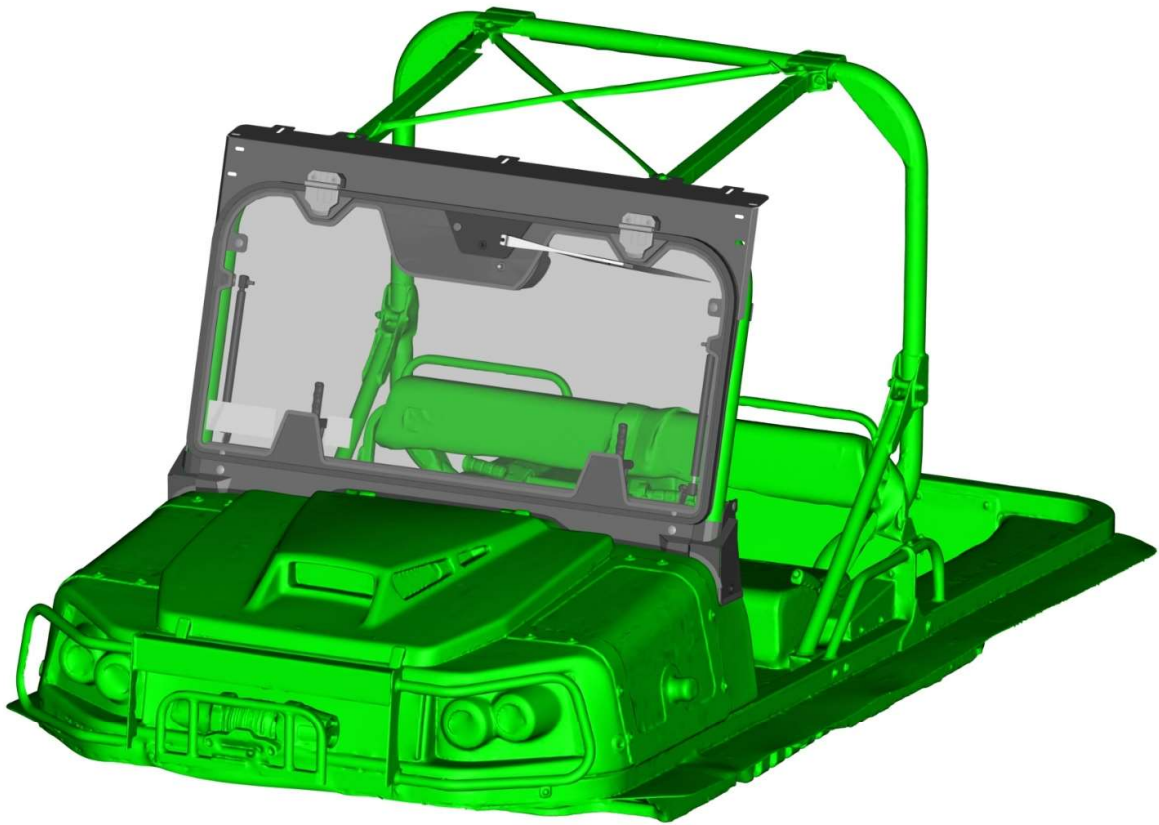


SPARE - PARTS CATALOG

ARGO

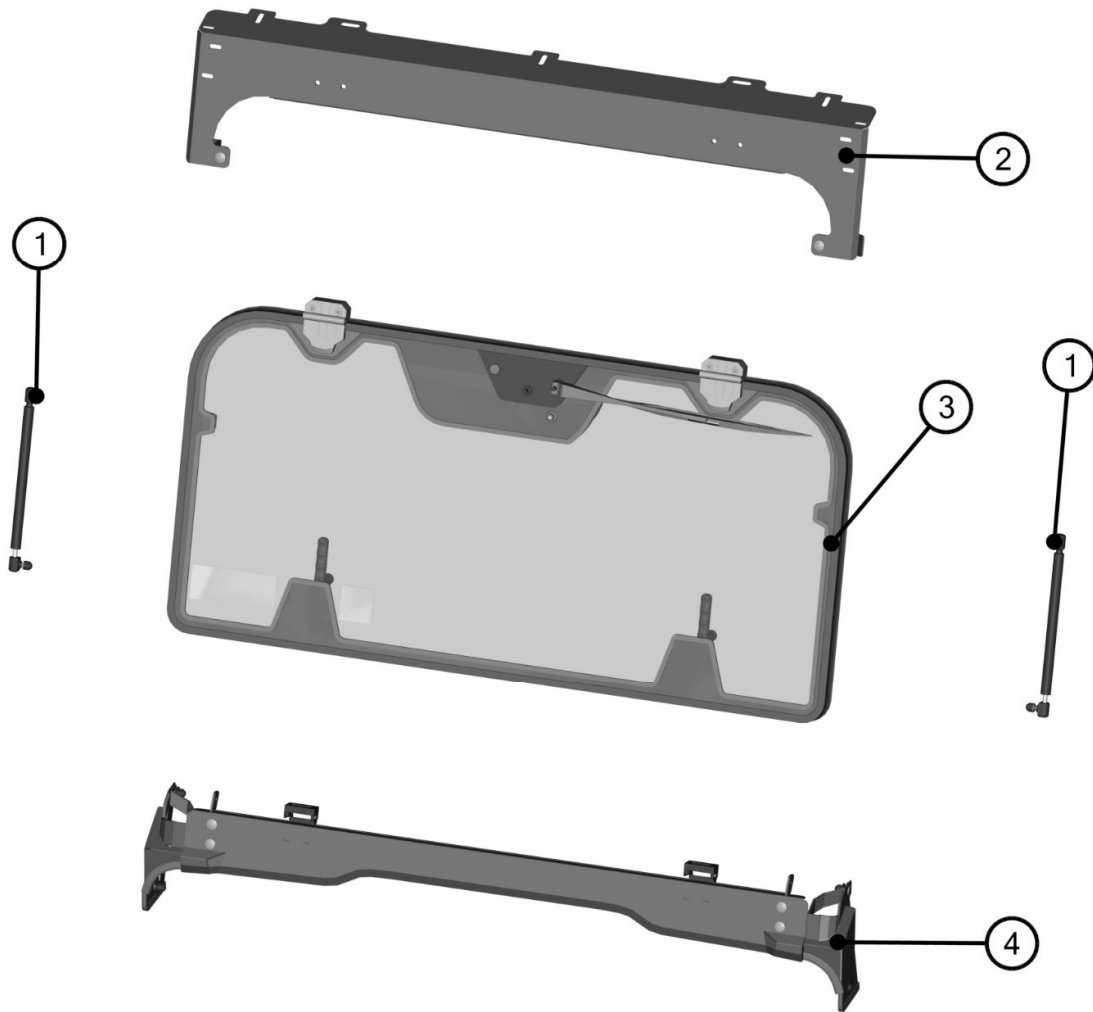
CONQUEST - HEATED WINDSHIELD

HEATED WINDSHIELD PREVIEW



2

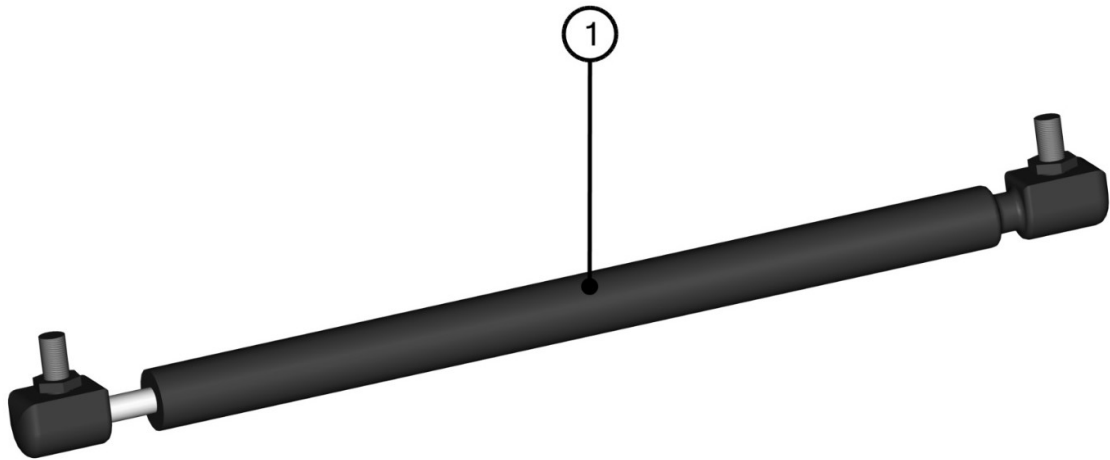
HEATED WINDSHIELD ASSEMBLIES



3

ID	Catalog no.	Description	Qty	Page
1	002494	FRONT GAS SPRING	2	4
2	66S03U01-10M005	FRONT UPPER LEDGE	1	5
3	66S03U01-15M005	FRONT GLASS ASSEMBLIES	1	6
4	66S03U01-10M006	FRONT BOTTOM LEDGE	1	7
-	66S03U01S01	ELECTROINSTALLATION	1	8

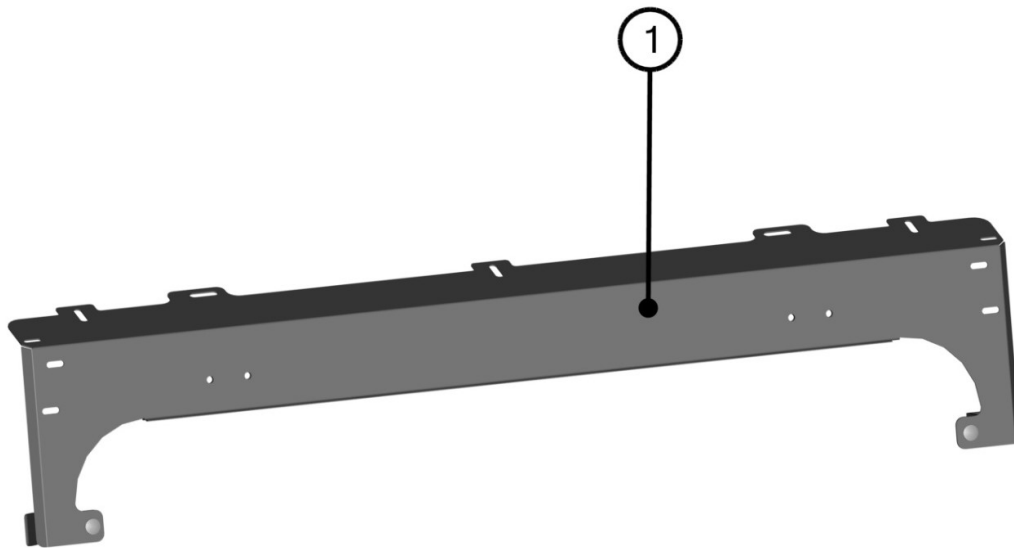
FRONT GAS SPRING



4

ID	Catalog no.	Description	Qty	Price
1	002494	FRONT GAS SPRING	1	

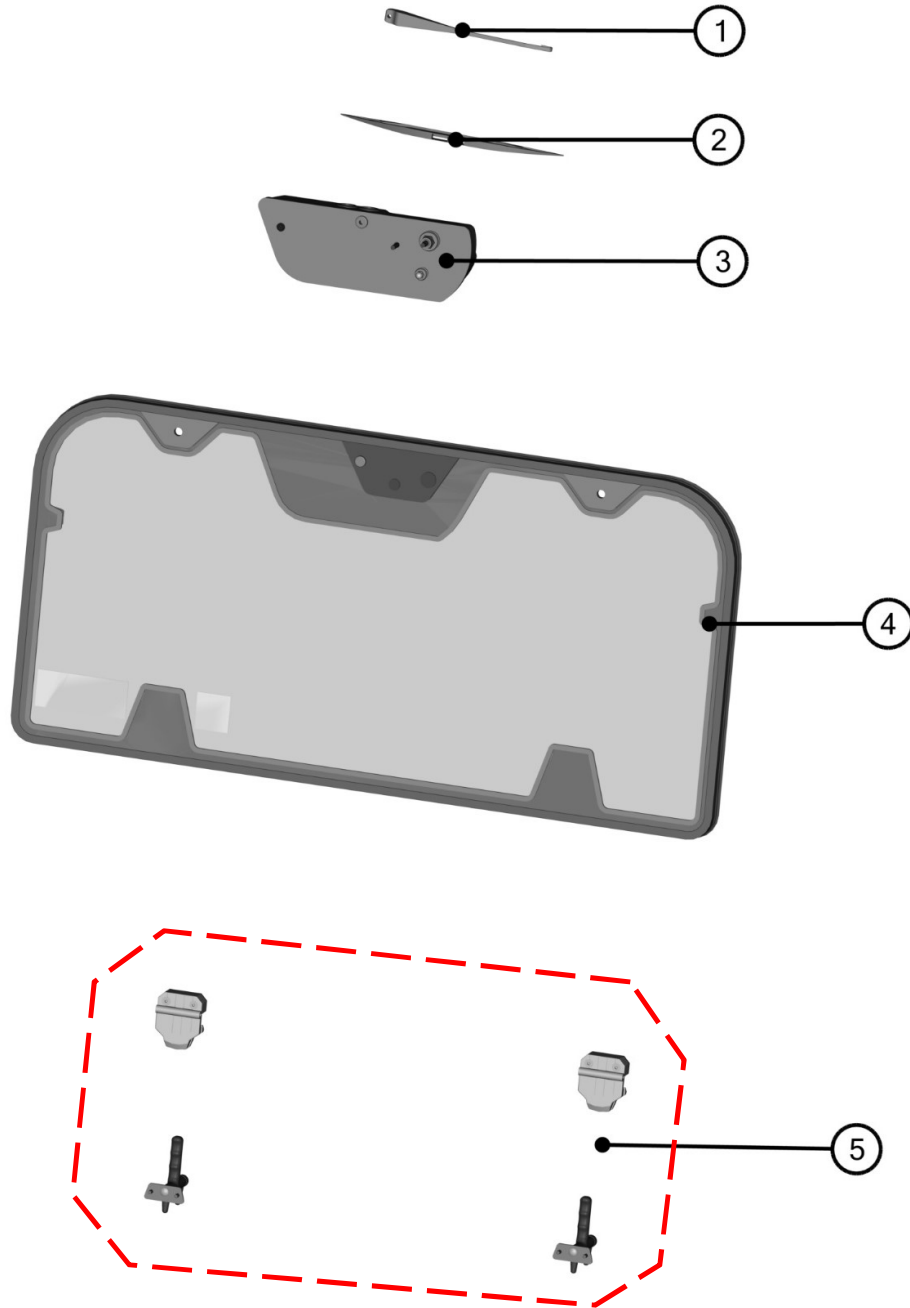
FRONT UPPER LEDGE



5

ID	Catalog no.	Description	Qty	Price
1	66S03U01-10M005	FRONT UPPER LEDGE	1	

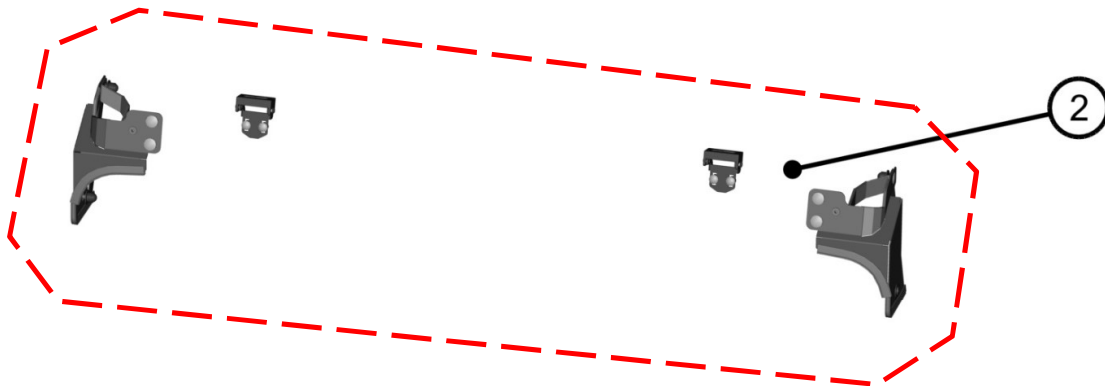
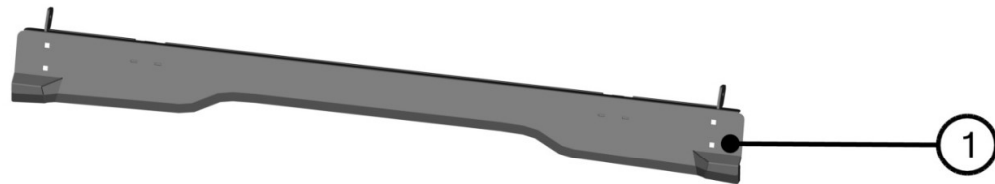
FRONT GLASS ASSEMBLIES



6

ID	Catalog no.	Description	Qty	Price
1	002535	WIPER ARM	1	
2	002554	WIPER BLADE	1	
3	66S03U01-01M006	WIPER MOTOR ASSEMBLY	1	
4	66S03U01-15M002	FRONT HEATED GLASS ASSEMBLY	1	
5	66S03U01-15PKM002	FRONT GLASS HARDWARE KIT	1	

FRONT BOTTOM LEDGE



7

ID	Catalog no.	Description	Qty	Price
1	66S03U01-10M008	FRONT BOTTOM LEDGE WITH SEALING	1	
2	66S03U01-10PKM002	FRONT BOTTOM HOLDERS KIT	1	

ELECTROINSTALLATION

Position	Catalog no.	Description	Qty	Price
1	004322	WIPER/WASHER SWITCH	1	
2	000885	WASHER TANK	1	
3	66S03U01-01M002	WIPER + WASHER ELECTRICAL HARNESS	1	
4	66S03U01-01M004	SUPPLY ELECTRICAL HARNESS	1	
5	66S03U01-01M005	WIPER BODY HARNESS	1	
6	64S07U01-01M002	HEATED WINDSHIELD HARNESS	1	
7	008555	HEATED WINDSHIELD SWITCH	1	



Position: 1
Catalog no.:
004322



Position: 2
Catalog no.:
000885



Position: 3
Catalog no.:
66S03U01-01M002



Position: 4
Catalog no.:
66S03U01-01M004



Position: 5
Catalog no.:
66S03U01-01M005



Position: 6
Catalog no.:
64S07U01-01M002



Position: 7
Catalog no.:
008555