

HardCabs

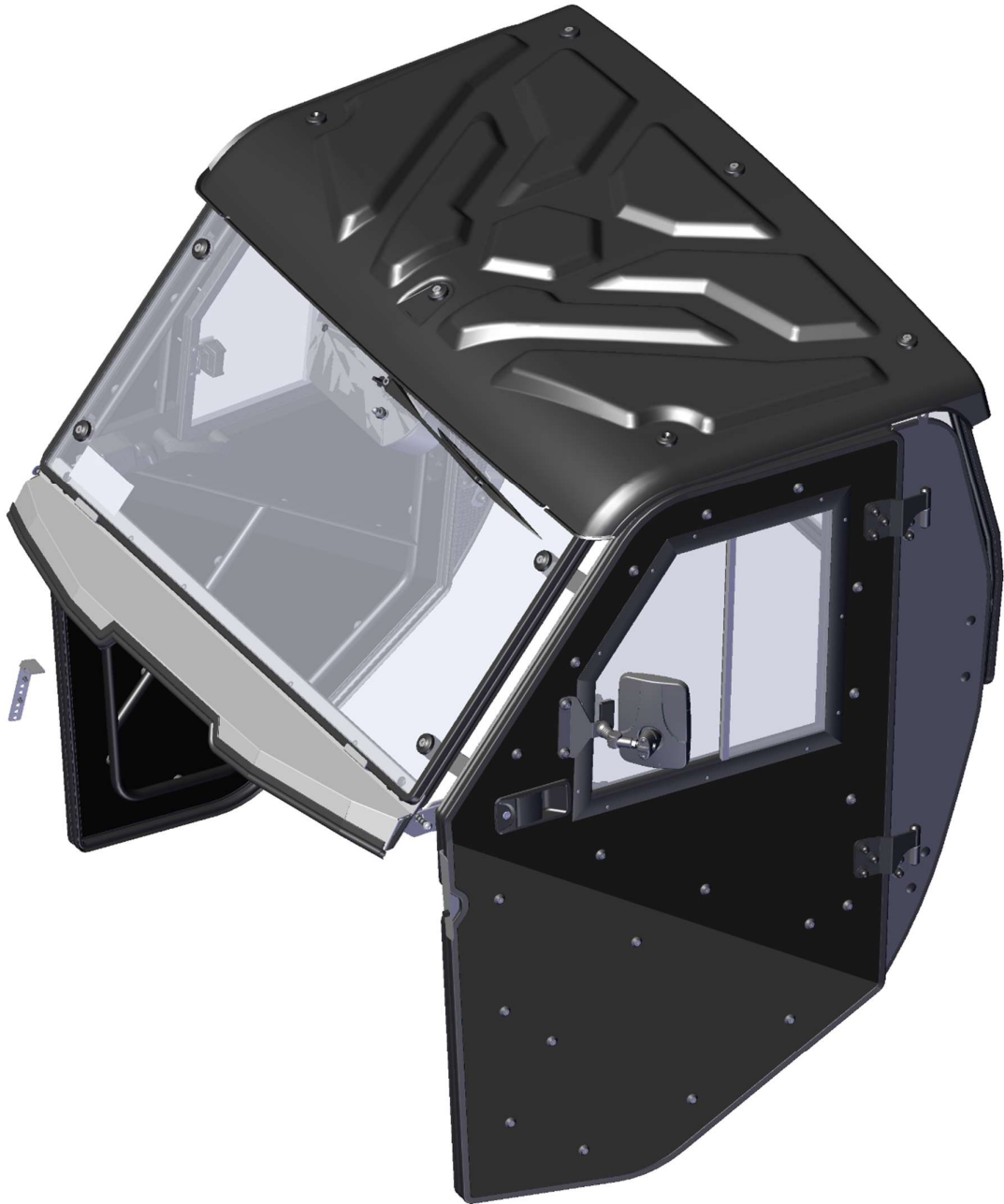


SPARE - PARTS CATALOG

SEGWAY

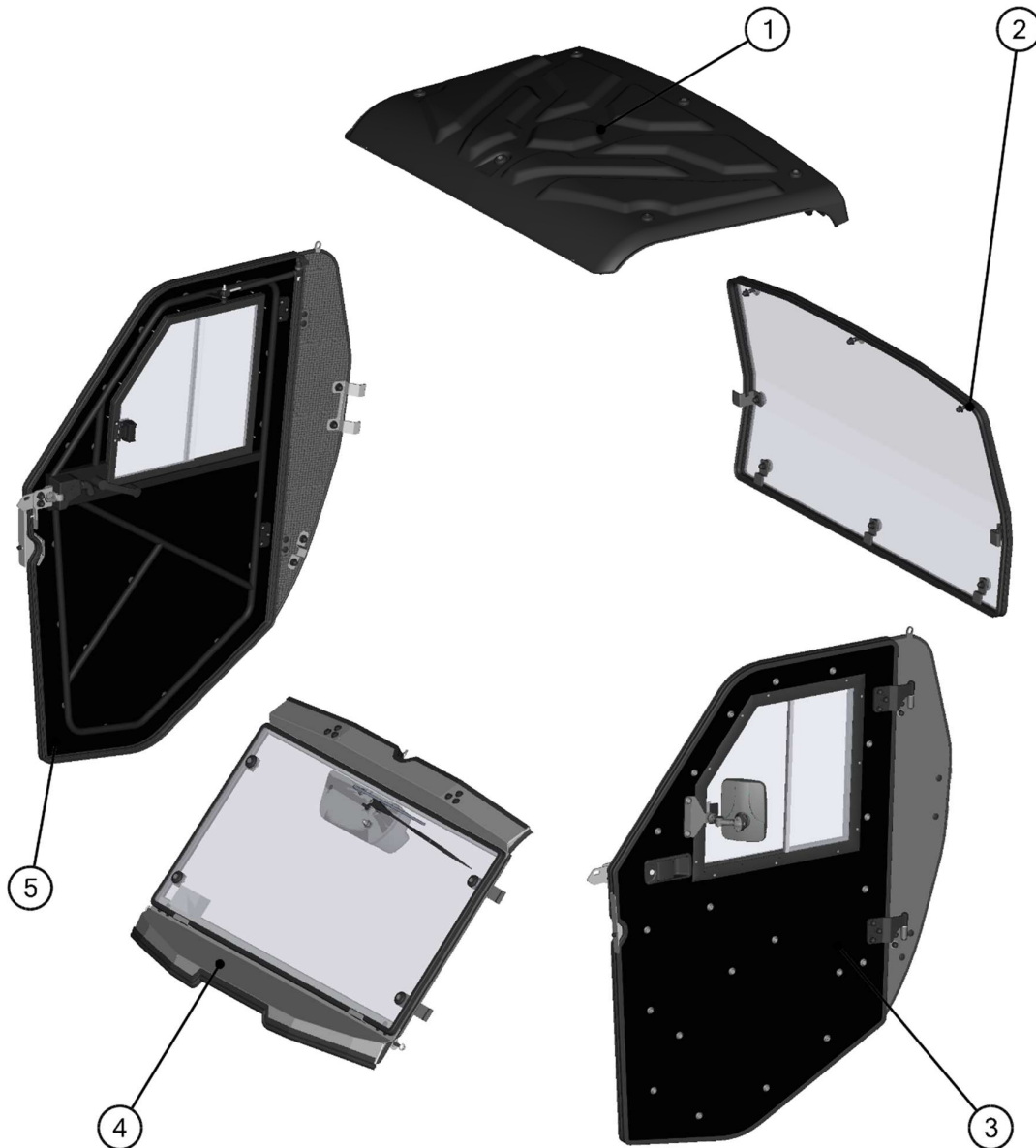
FUGLEMAN

CAB PREVIEW



2

ALL PANELS



3

ID	Catalog no.	Description	Qty
1	74S02U01S30	ROOF	1
2	74S02U02S20	REAR PANEL	1
3	74S02R01S40	LEFT DOOR	1
4	74S02R01S10	FRONT PANEL	1
5	74S02R01S50	RIGHT DOOR	1
-	-----	ELECTROINSTALLATION	1

Page
5
7
14
9
19
23

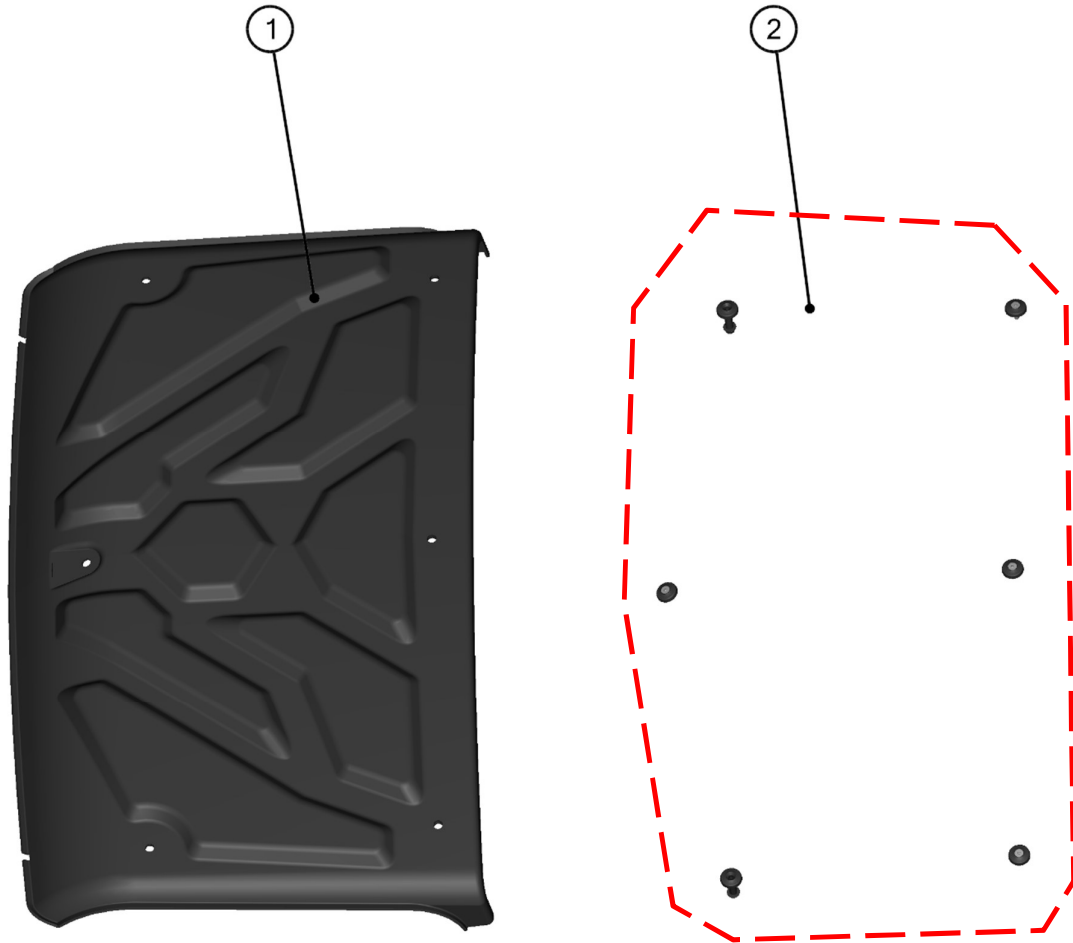
Price

ROOF PANEL



5

ROOF PANEL ASSEMBLIES



7

ID	Catalog no.	Description	Qty
1	74S02U01-30M002	ROOF ASSEMBLY	1
2	74S02U01-30PKM001	ROOF HARDWARE KIT	1

Price

HardCabs
 2464 Wisconsin Ave
 Downers Grove, IL 60515

parts@hardcabs.com
 630-324-8585

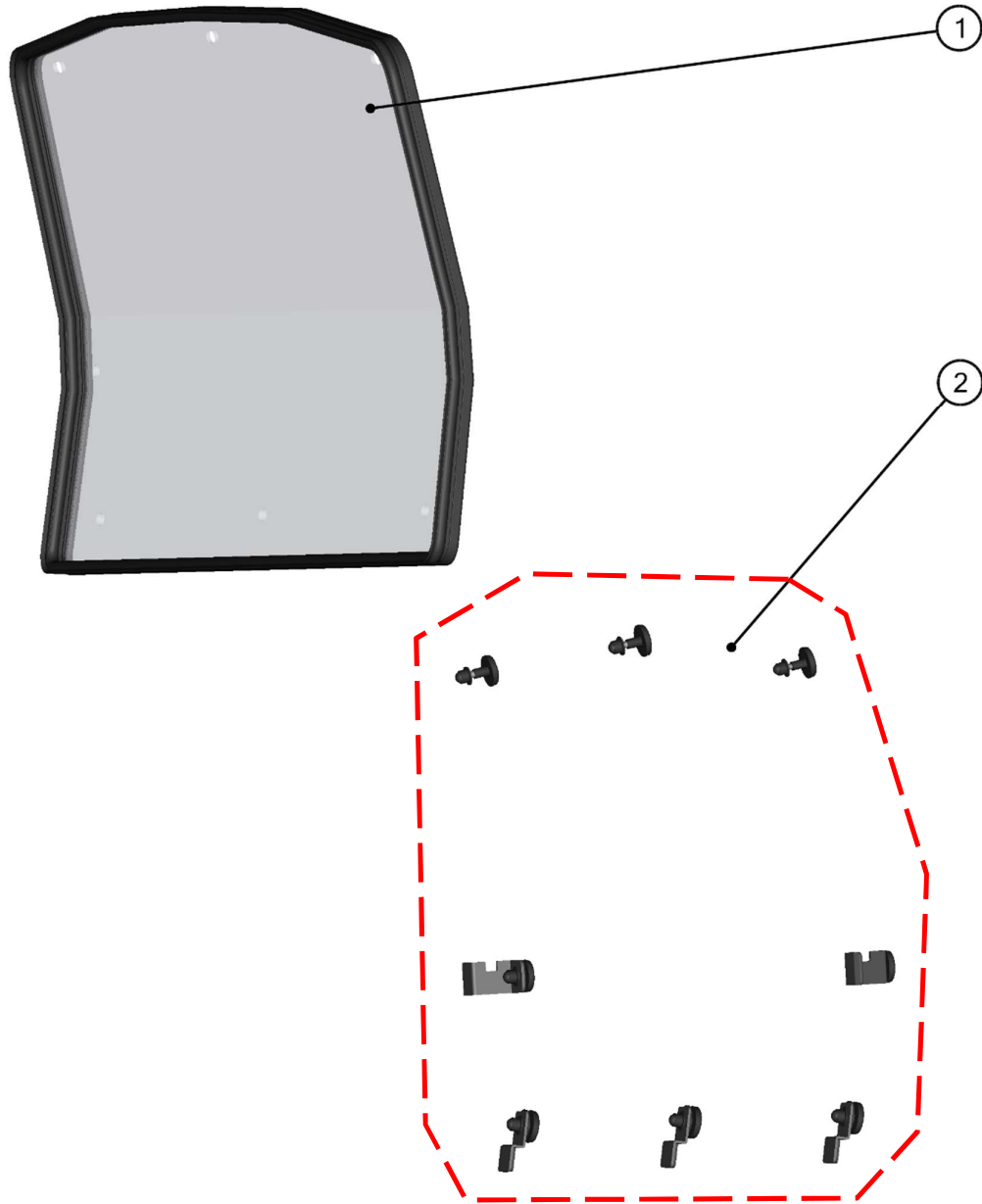
www.hardcabs.com

REAR PANEL



9

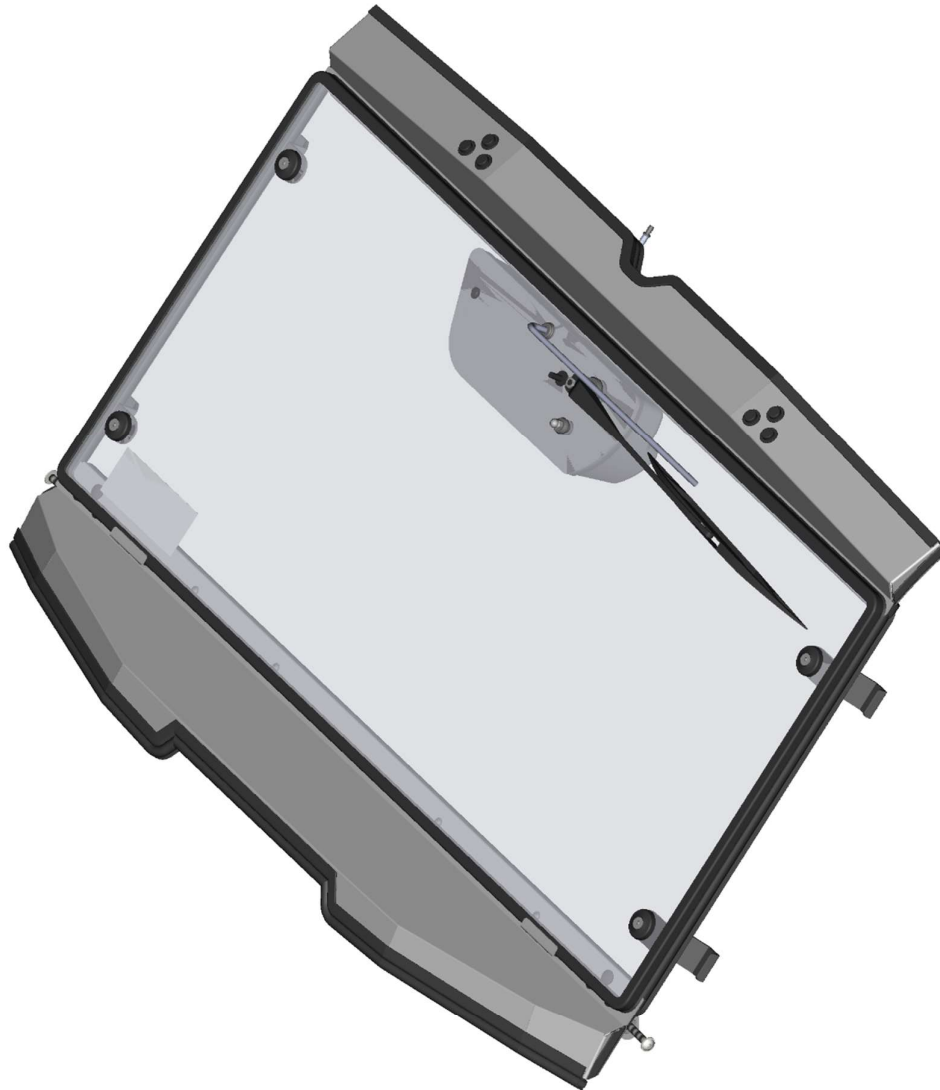
REAR PANEL ASSEMBLIES



10

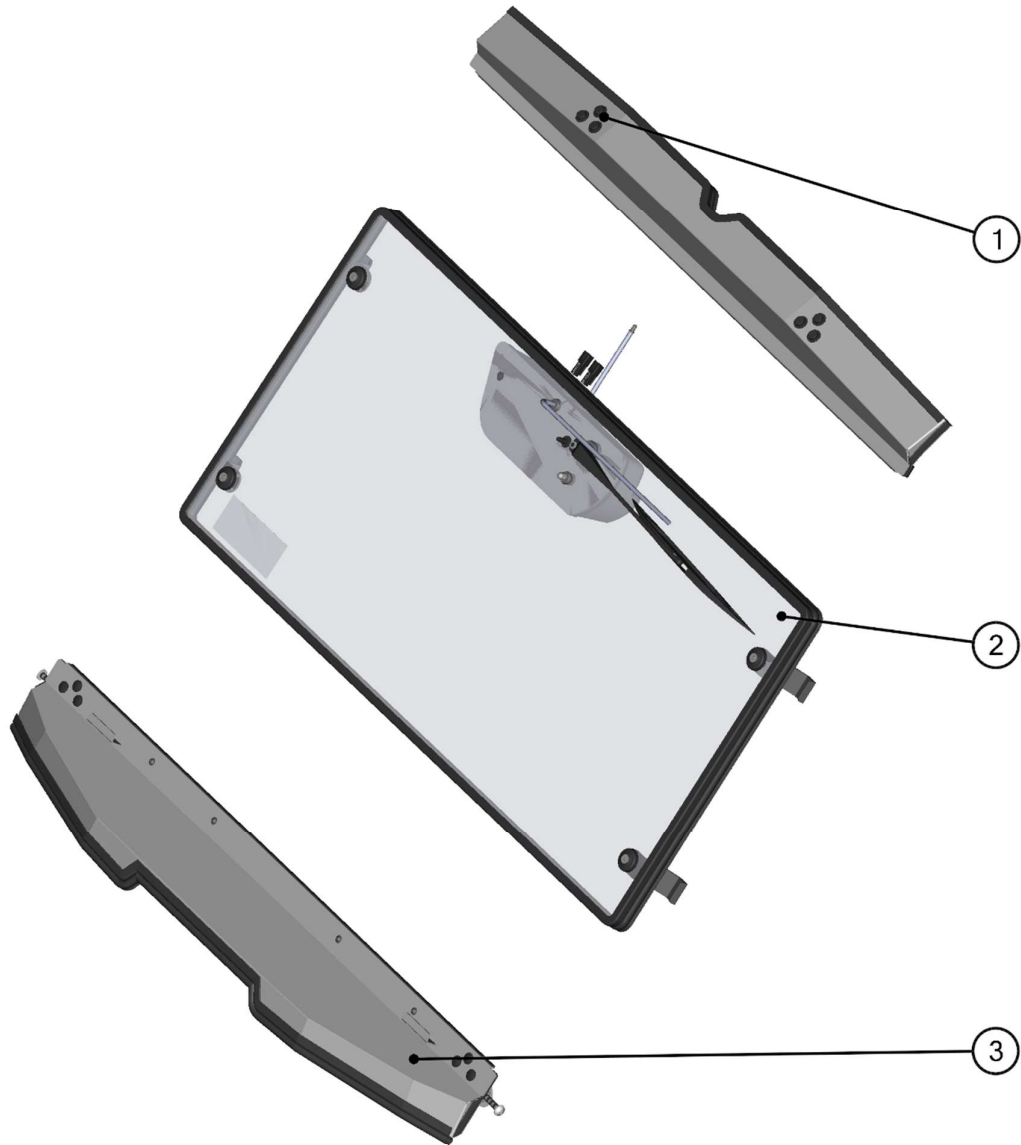
ID	Catalog no.	Description	Qty	Price
1	74S02U02-20M001	REAR POLY WITH SEALING	1	
2	74S02U02-20PKM001	REAR HARDWARE KIT	1	

FRONT PANEL



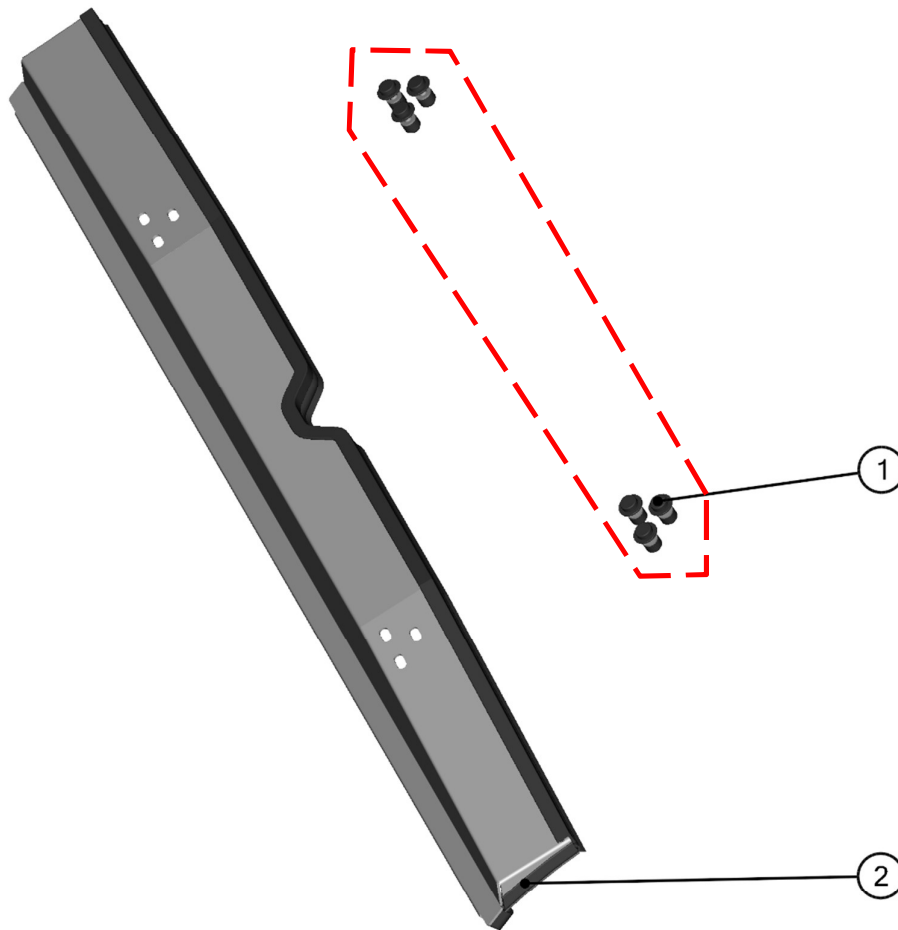
11

FRONT PANEL ASSEMBLIES



12

FRONT UPPER LEDGE



13

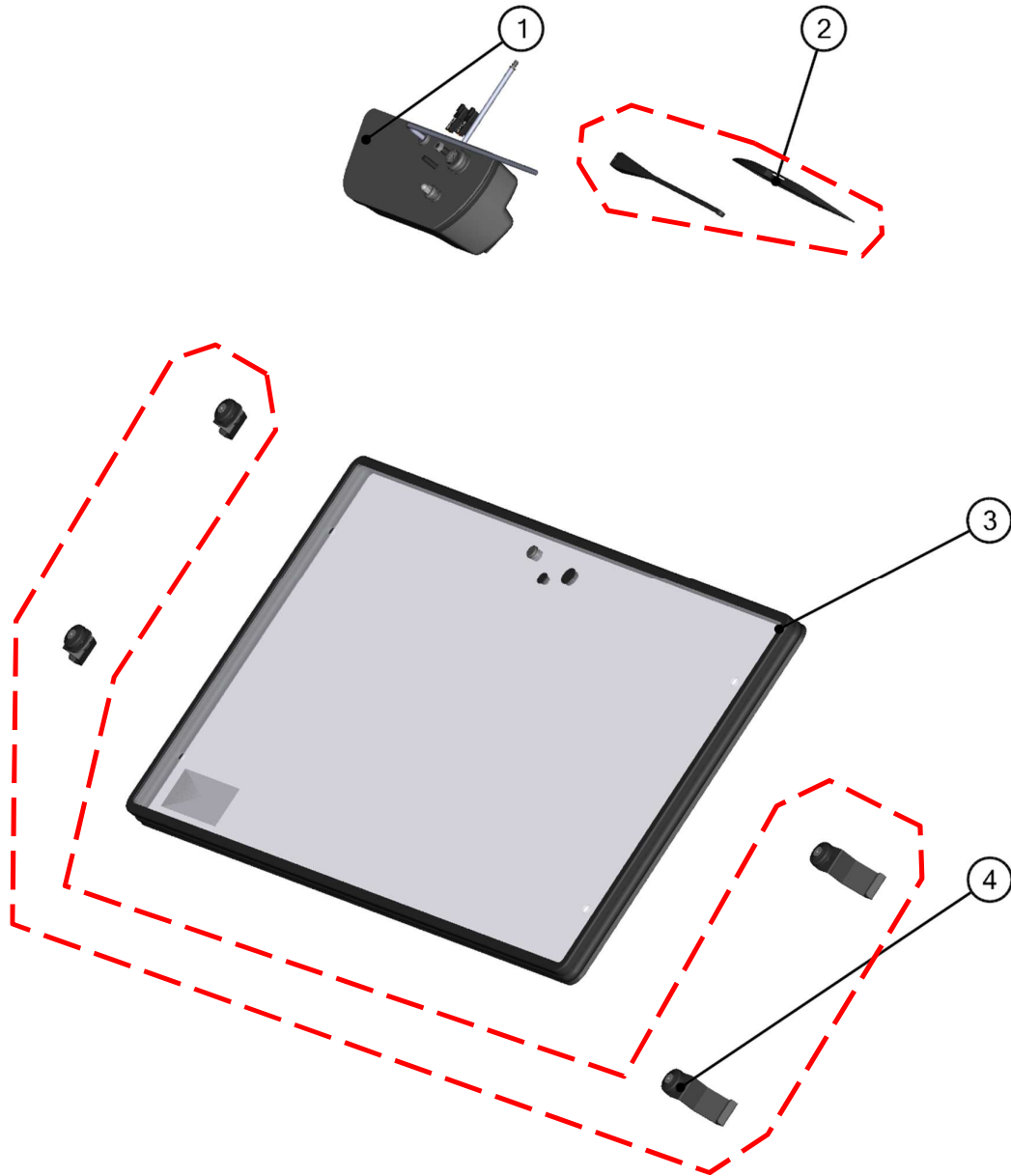
ID	Catalog no.	Description	Qty	Price
1	74S02U01-10PKM001	FRONT UPPER FIXING KIT	1	
2	74S02R01-10M009	FRONT UPPER LEDGE	1	

HardCabs
 2464 Wisconsin Ave
 Downers Grove, IL 60515

parts@hardcabs.com
 630-324-8585

www.hardcabs.com

FRONT WINDOW ASSEMBLIES

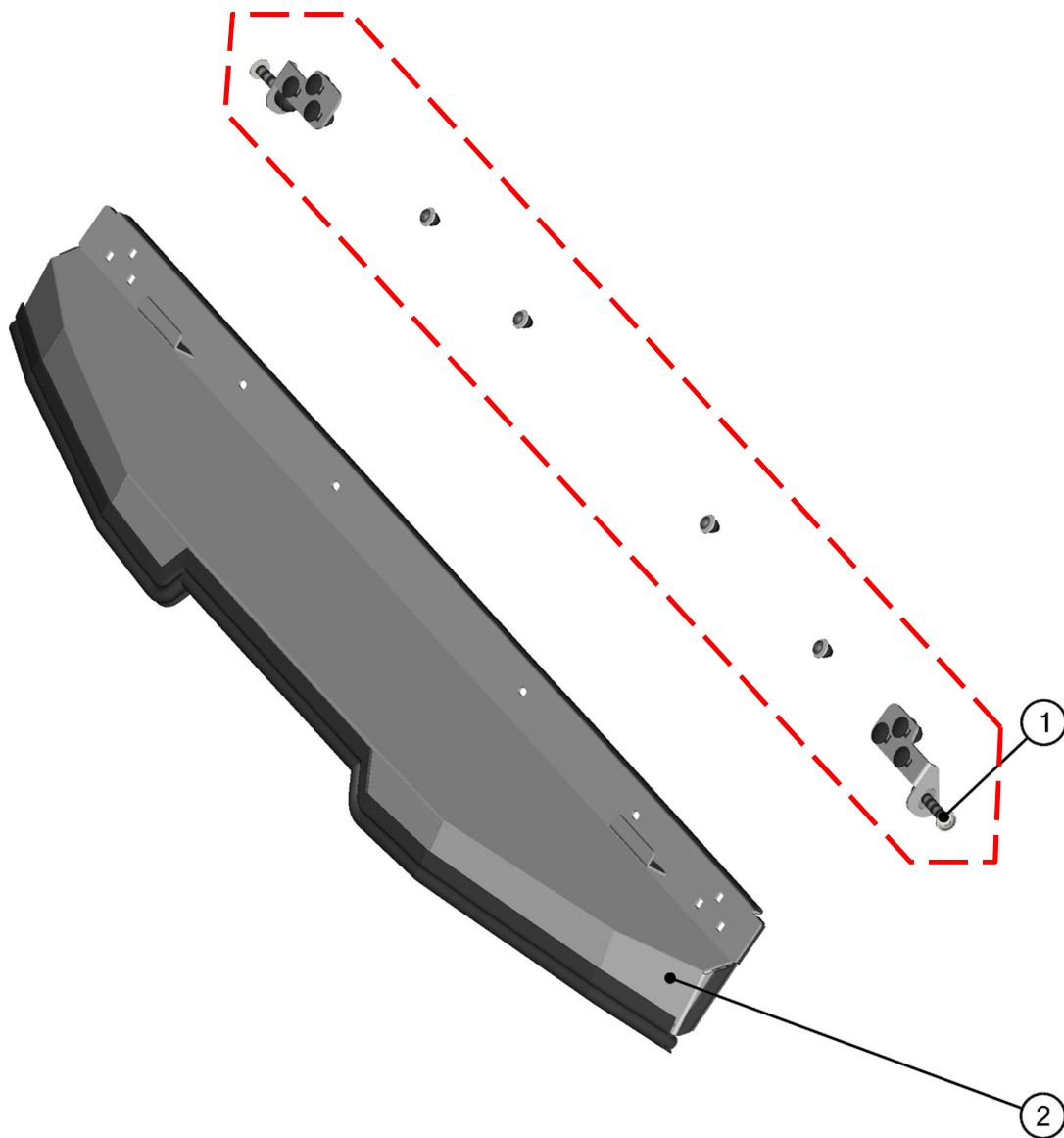


15

ID	Catalog no.	Description	Qty
1	74S02U01-01M002	FRONT WIPER MOTOR KIT	1
2	74S02U01-01PKM001	FRONT WIPER ARM WITH BLADE	1
3	74S02R01-10M002	FRONT GLASS WITH SEALING	1
4	74S02R01-10PKM001	FRONT GLASS HOLDER KIT	1

Price

FRONT BOTTOM LEDGE

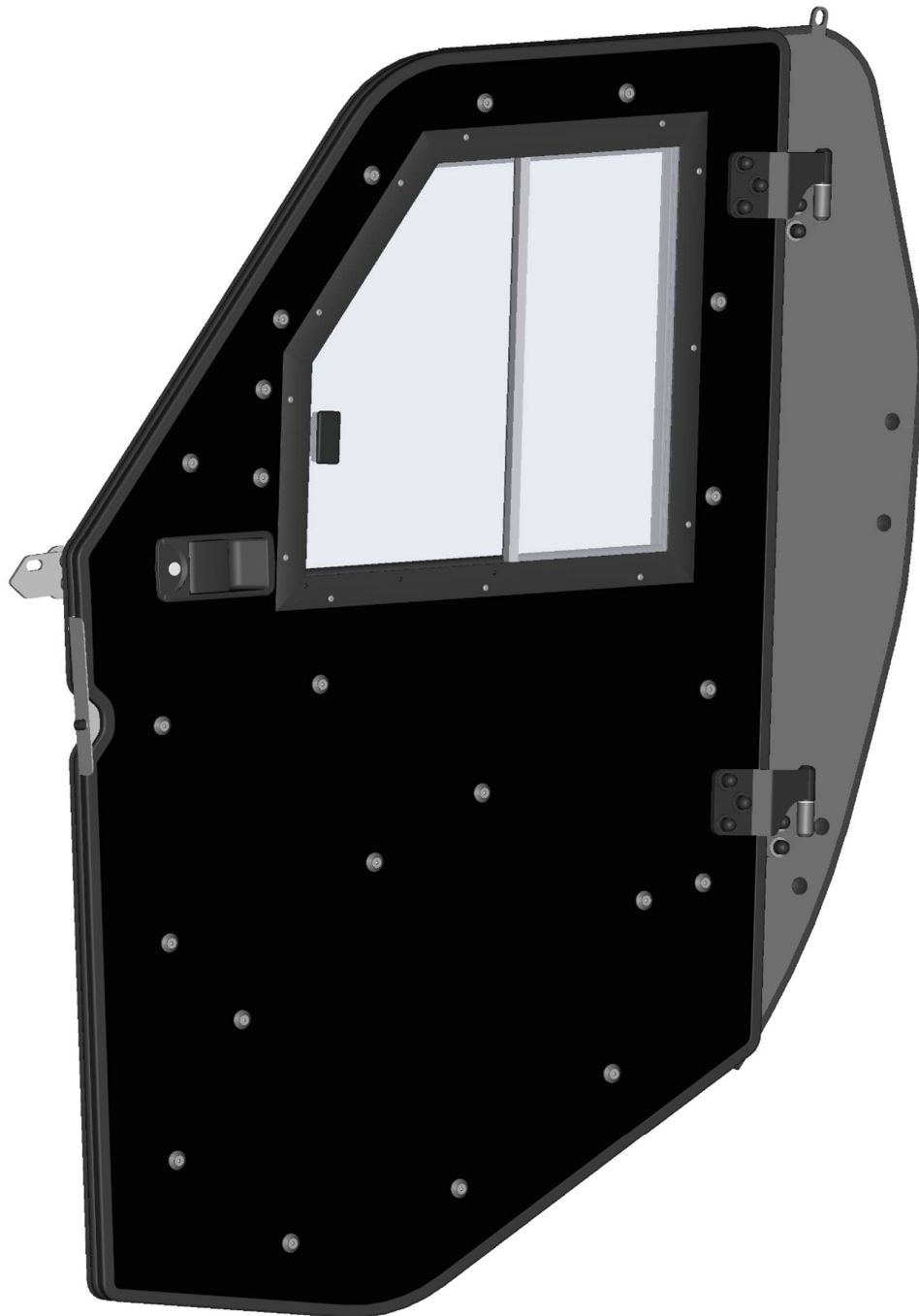


16

ID	Catalog no.	Description	Qty
1	74S02R01-10PKM002	FRONT BOTTOM HARDWARE KIT	1
2	74S02R01-10M008	FRONT BOTTOM LEDGE	1

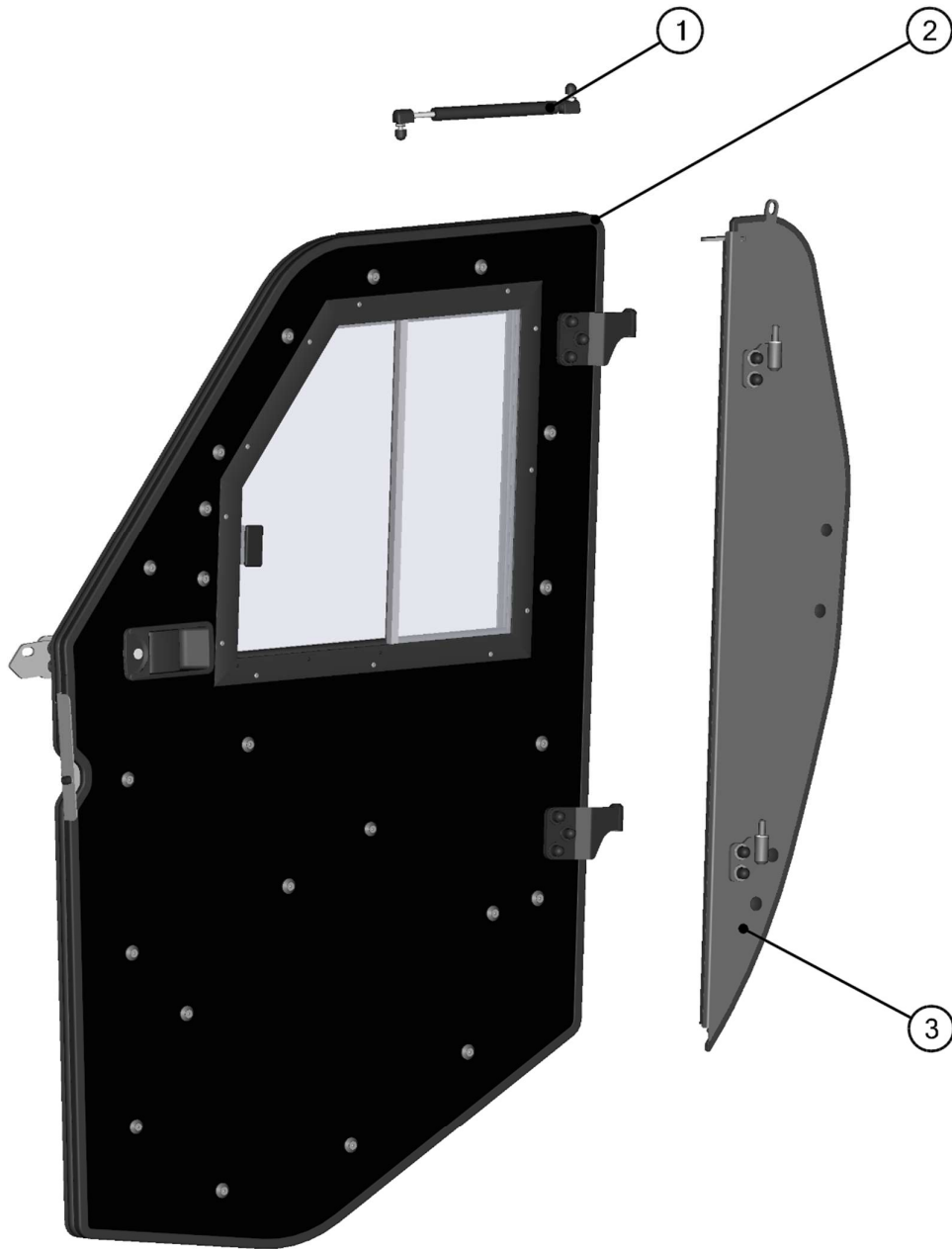
Price

LEFT DOOR



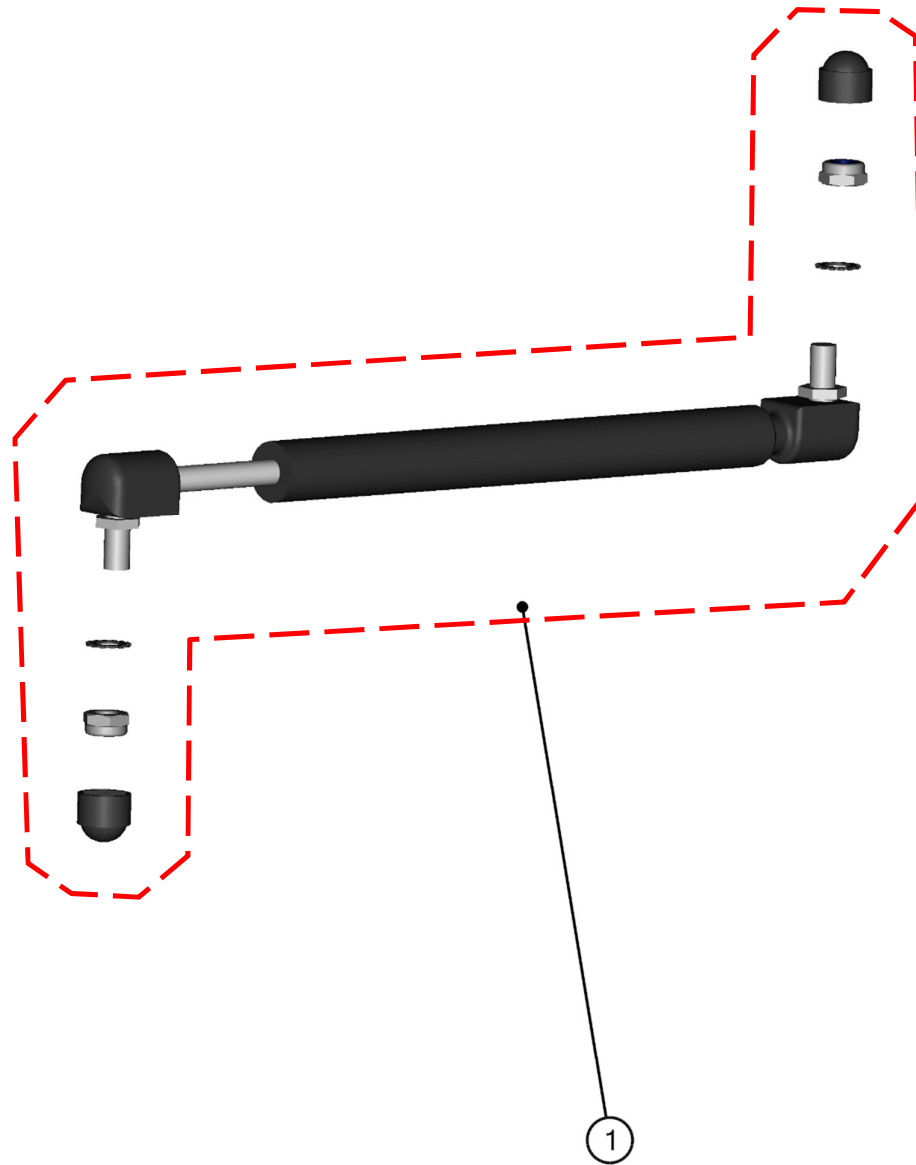
17

LEFT DOOR ASSEMBLIES



18

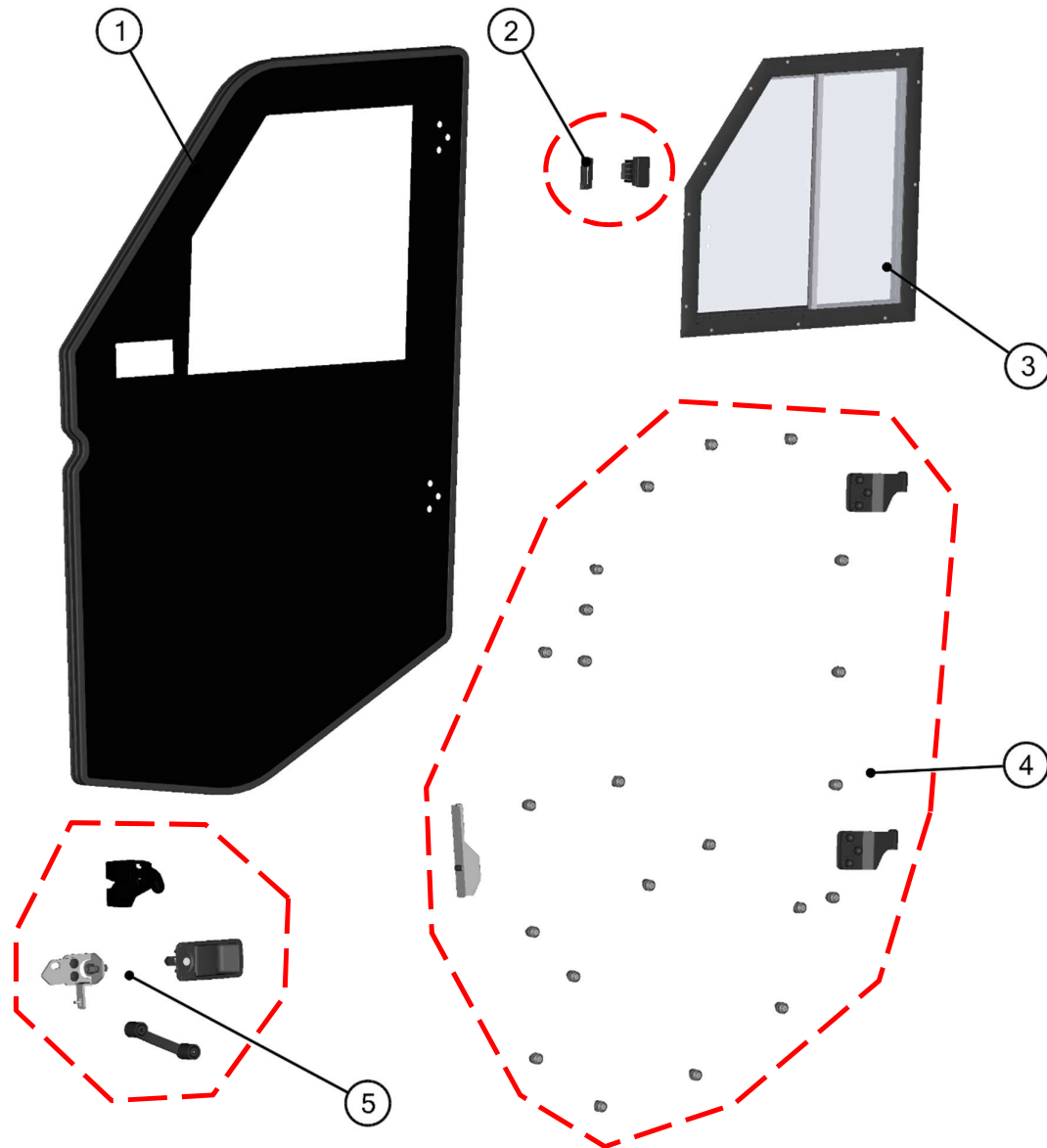
GAS SPRING ASSEMBLY



20

ID	Catalog no.	Description	Qty	Price
1	74S02U01-50M011	GAS SPRING ASSEMBLY	1	

LEFT DOOR ASSEMBLY



21

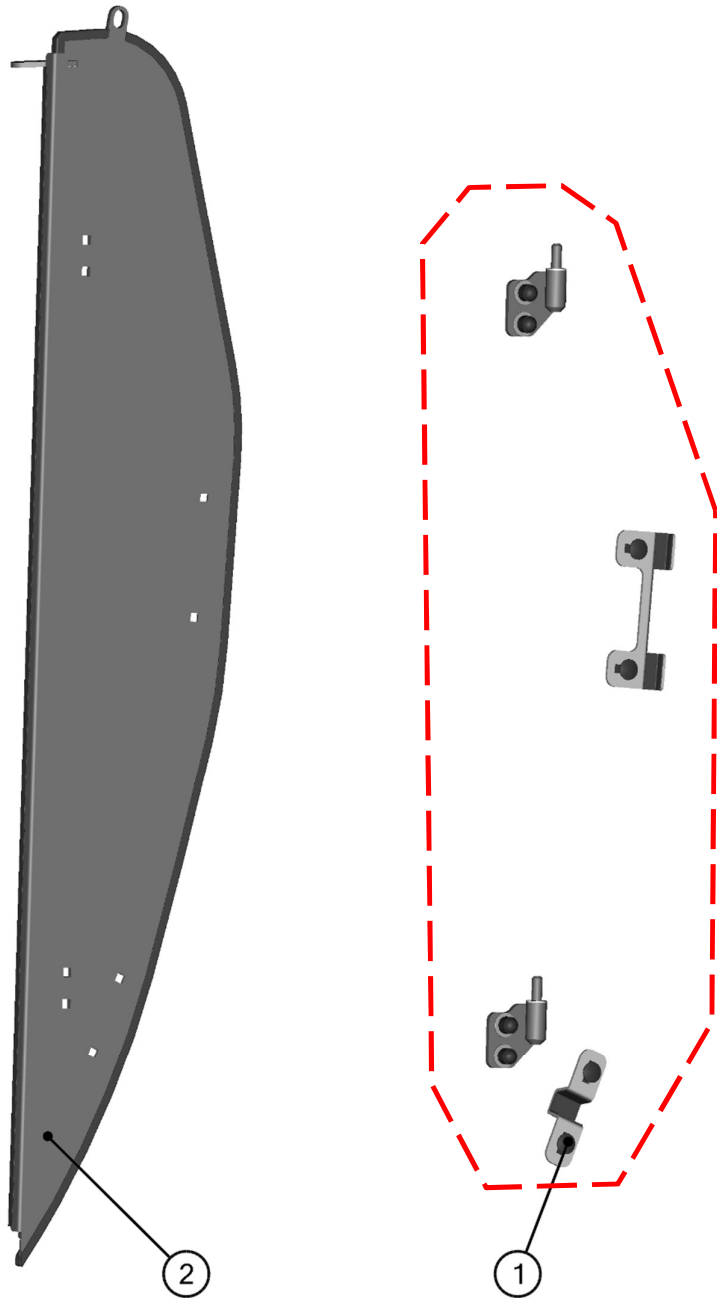
ID	Catalog no.	Description	Qty	Price
1	74S02R01-40M001	LEFT POLY WITH SEALING	1	
2	74S02U01-40PKM001	GLASS LOCK WITH STOP KIT	1	
3	74S02U01-40M003	LEFT DOOR WINDOW ASSEMBLY	1	
4	74S02U01-40PKM002	LEFT DOOR HINGES WITH FIXING KIT	1	
5	74S02U01-40PKM003	LEFT DOOR LOCK WITH STOP KIT	1	

HardCabs
 2464 Wisconsin Ave
 Downers Grove, IL 60515

parts@hardcabs.com
 630-324-8585

www.hardcabs.com

LEFT DOOR BASE



ID	Catalog no.	Description	Qty
1	74S02U01-40PKM004	LEFT DOOR BASE HARDWARE KIT	1
2	74S02U01-40M010	LEFT DOOR BASE ASSEMBLY	1

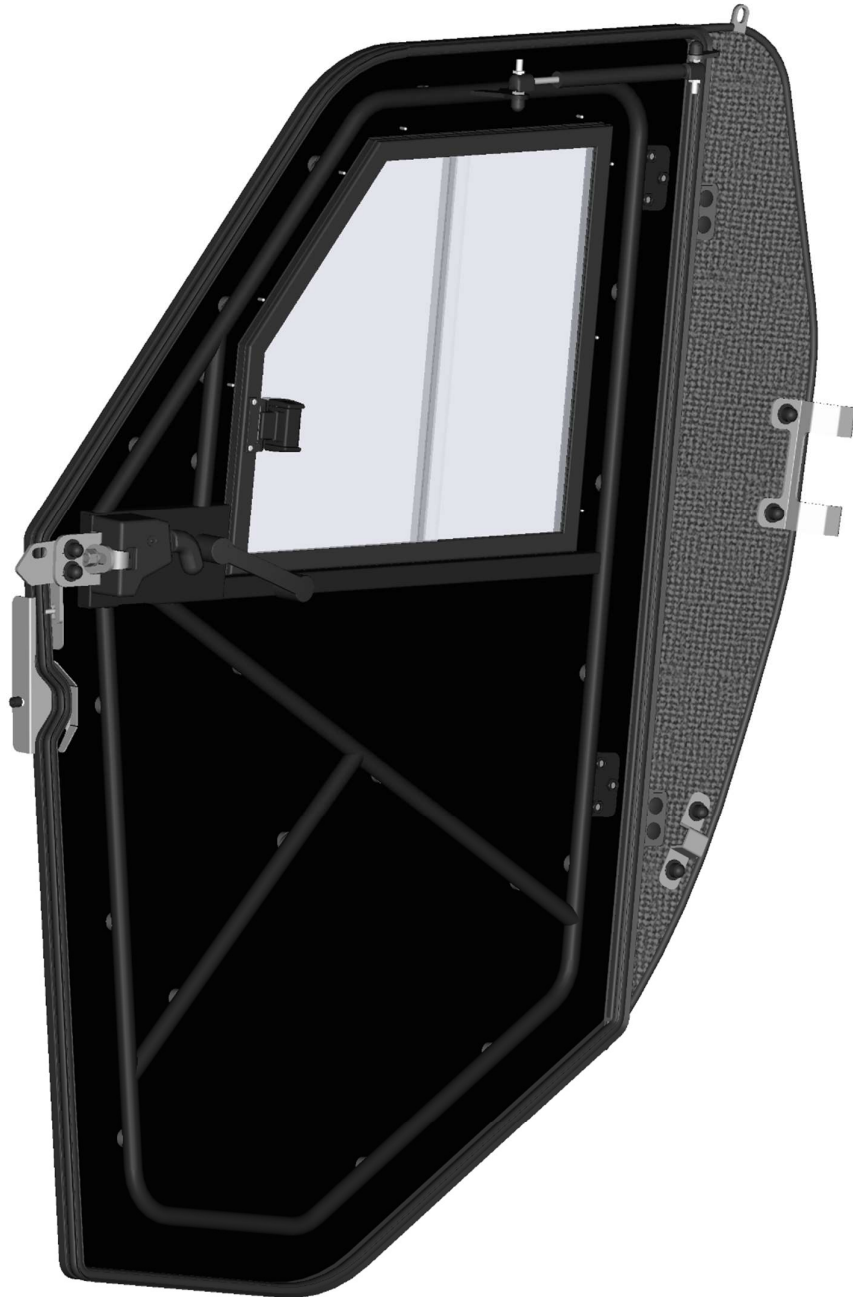
Price

HardCabs
 2464 Wisconsin Ave
 Downers Grove, IL 60515

parts@hardcabs.com
 630-324-8585

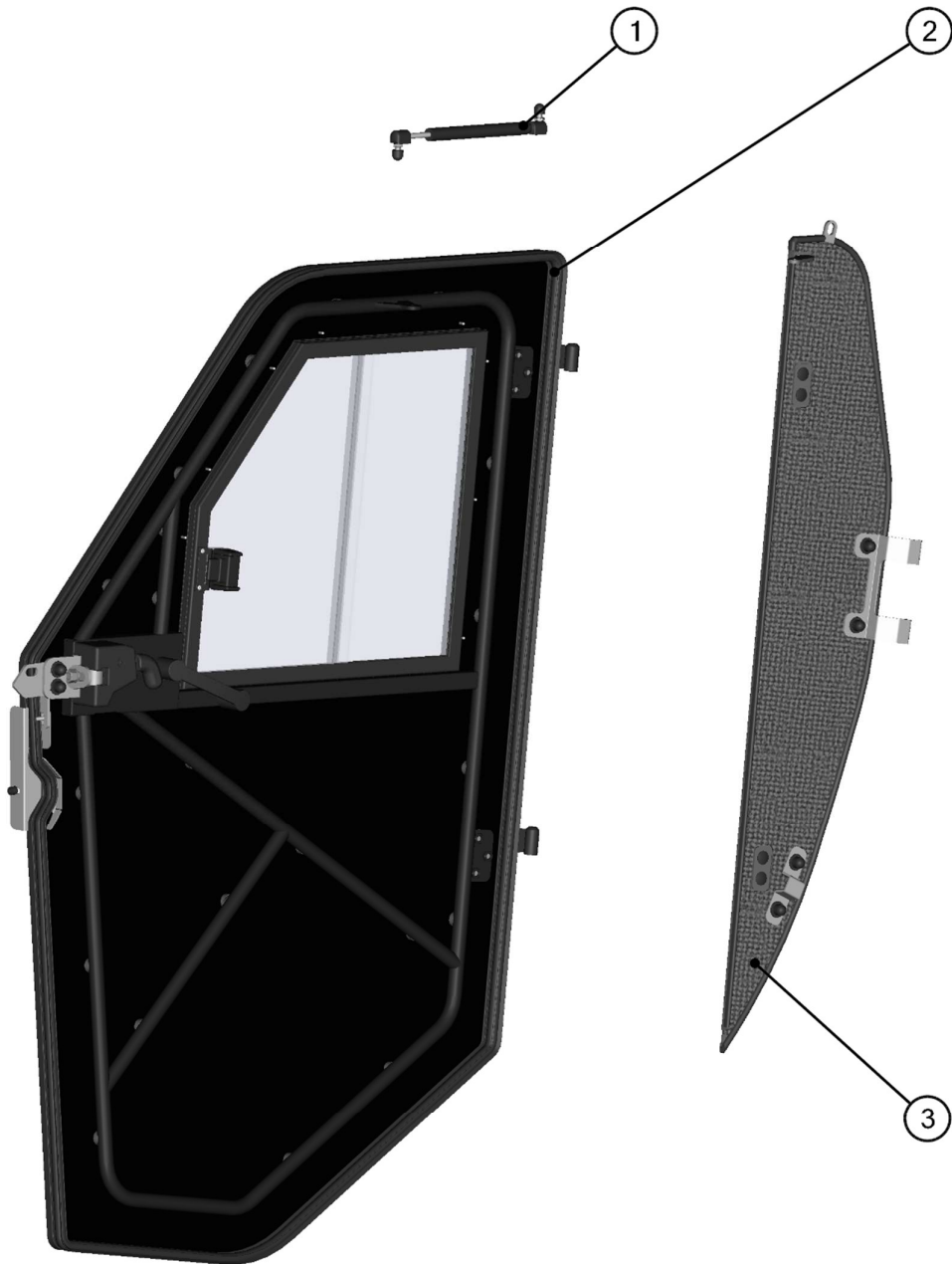
www.hardcabs.com

RIGHT DOOR



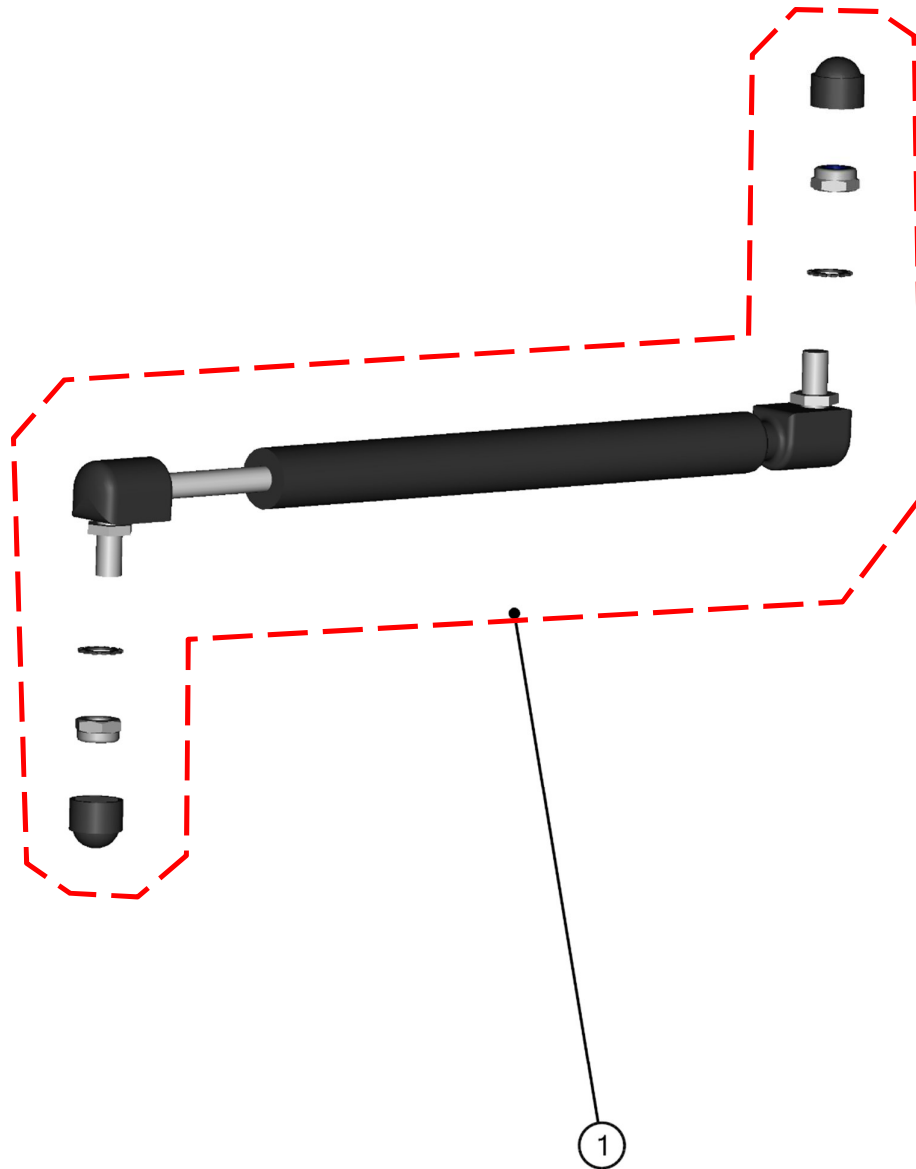
25

RIGHT DOOR ASSEMBLIES



26

GAS SPRING ASSEMBLY



27

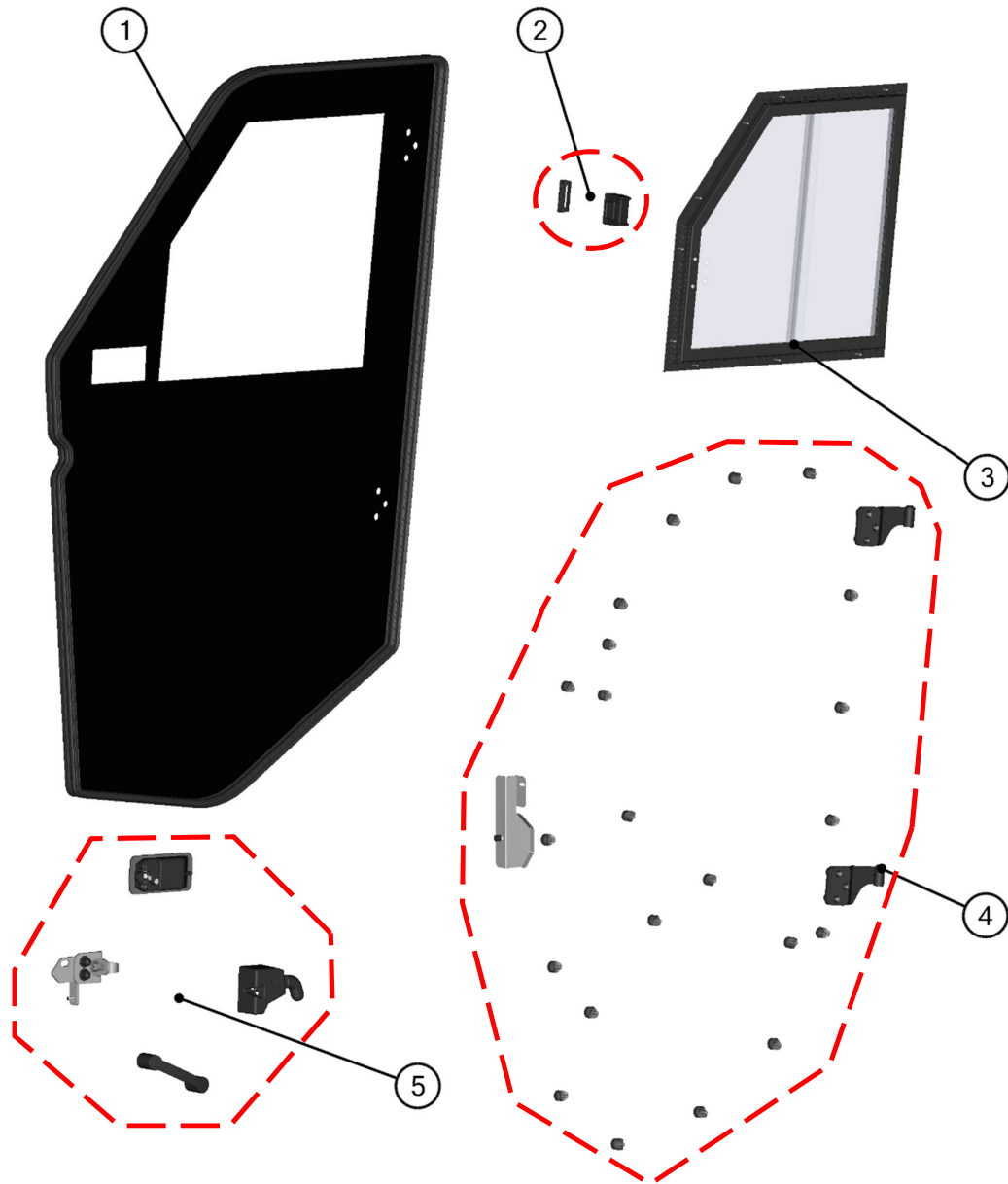
ID	Catalog no.	Description	Qty	Price
1	74S02U01-50M011	GAS SPRING ASSEMBLY	1	

HardCabs
2464 Wisconsin Ave
Downers Grove, IL 60515

parts@hardcabs.com
630-324-8585

www.hardcabs.com

RIGHT DOOR ASSEMBLIES



29

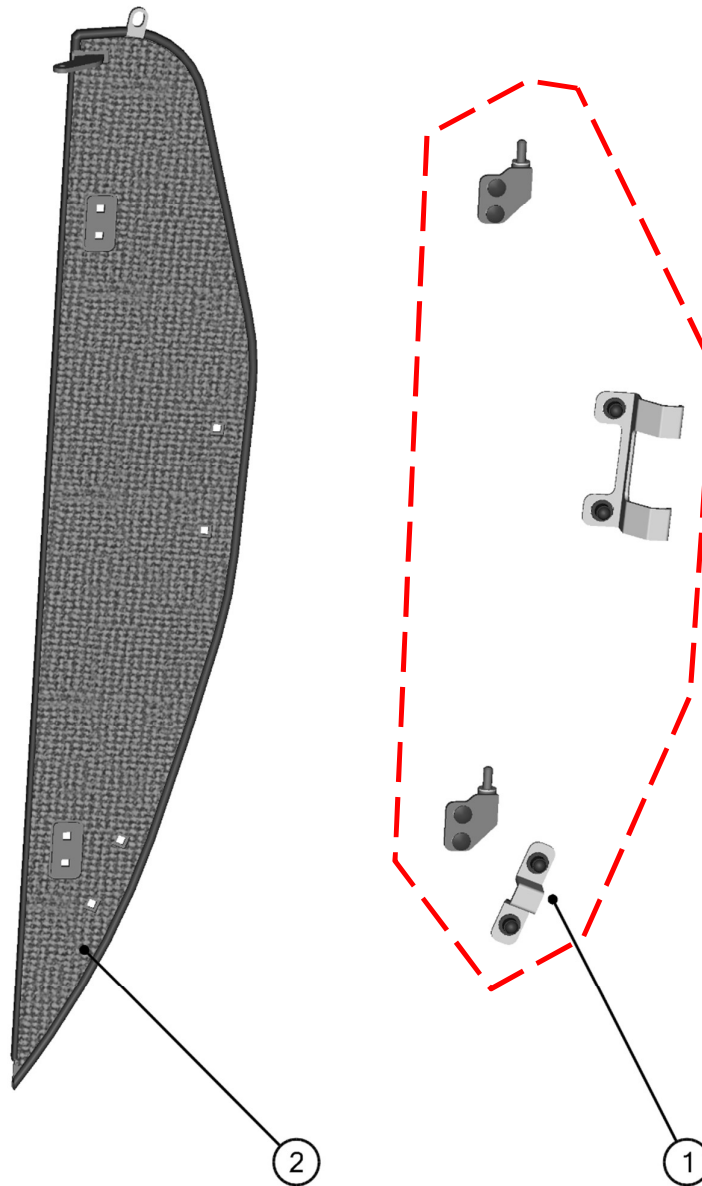
ID	Catalog no.	Description	Qty	Price
1	74S02R01-50M001	RIGHT POLY WITH SEALING	1	
2	74S02U01-40PKM001	GLASS LOCK WITH STOP KIT	1	
3	74S02U01-50M003	RIGHT DOOR WINDOW ASSEMBLY	1	
4	74S02U01-50PKM002	RIGHT DOOR HINGES WITH FIXING KIT	1	
5	74S02U01-50PKM003	RIGHT DOOR LOCK WITH STOP KIT	1	

HardCabs
 2464 Wisconsin Ave
 Downers Grove, IL 60515

parts@hardcabs.com
 630-324-8585

www.hardcabs.com

RIGHT DOOR BASE



30

ID	Catalog no.	Description	Qty
1	74S02U01-50PKM004	RIGHT DOOR BASE HARDWARE KIT	1
2	74S02U01-50M010	RIGHT DOOR BASE ASSEMBLY	1

Price

ELECTROINSTALLATION

Position	Catalog no.	Description	Qty	Price
1	004322	WIPER/WASHER SWITCH	1	
2	005486	LIGHT SWITCH	1	
3	000885	WASHER TANK	1	
4	009210	WIPER + WASHER HARNESS	1	
5	009209	SUPPLY HARNESS	1	
6	009211	HEATER HARNESS	1	
7	005878	HEATER BODY	1	
8	002471	WATER PUMP	1	
9	002386	EL. VALVE	1	
10	002702	VENT SWITCH	1	
11	002391	EL. VALVE SWITCH	1	
12	002739	DIFUZOR	1	
13	002848	DIFUZOR	1	
14	00-109U-M006	SIDE MIRRORS KIT	1	

		
<p>Position: 1</p>	<p>Position: 2</p>	<p>Position: 3</p>
<p>Catalog no.: 004322</p>	<p>Catalog no.: 005486</p>	<p>Catalog no.: 000885</p>
		
<p>Position: 4</p>	<p>Position: 5</p>	<p>Position: 6</p>
<p>Catalog no.: 009210</p>	<p>Catalog no.: 009209</p>	<p>Catalog no.: 009211</p>
		
<p>Position: 7</p>	<p>Position: 8</p>	<p>Position: 9</p>
<p>Catalog no.: 005878</p>	<p>Catalog no.: 002471</p>	<p>Catalog no.: 002386</p>

		
Position: 10	Position: 11	Position: 12
Catalog no.: 002702	Catalog no.: 002391	Catalog no.: 002739
		
Position: 13	Position: 14	
Catalog no.: 002848	Catalog no.: 00-109U-M006	