

HardCabs



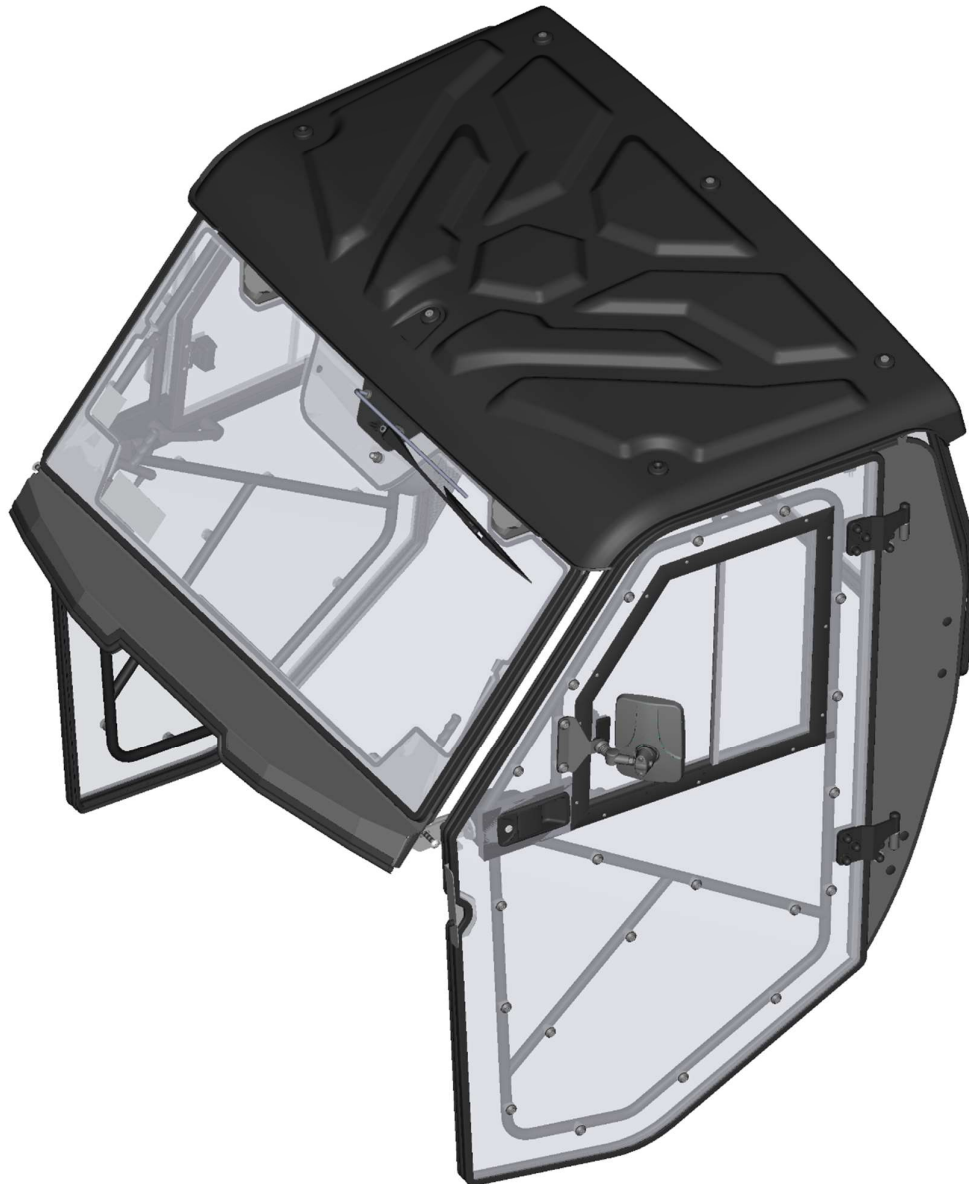
SPARE - PARTS CATALOG

SEGWAY

FUGLEMAN

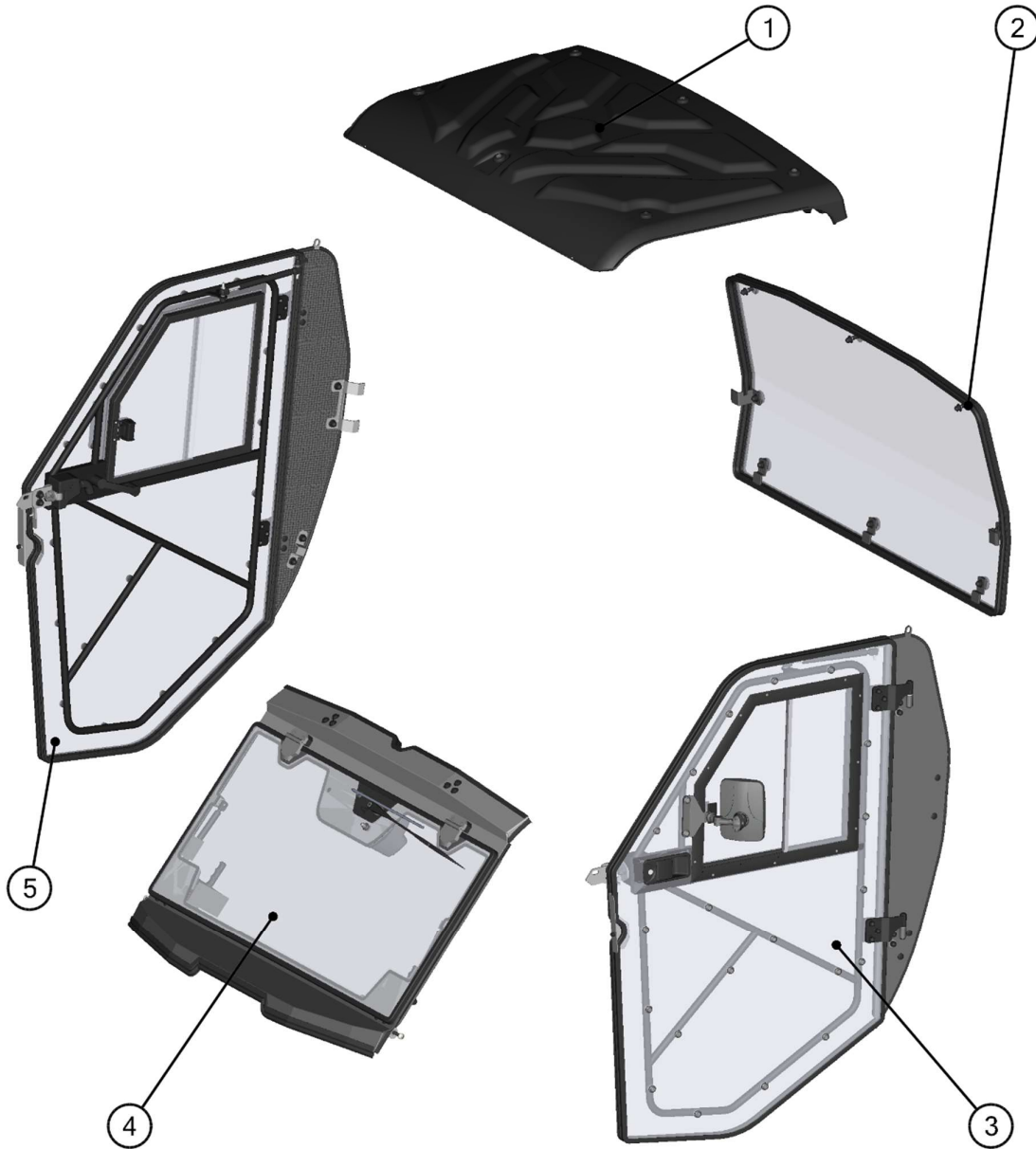
PREMIUM

CAB PREVIEW



2

ALL PANELS



3

ID	Catalog no.	Description	Qty
1	74S02U01S30	ROOF	1
2	74S02U02S20	REAR PANEL	1
3	74S02U01S40	LEFT DOOR	1
4	74S02U01S10	FRONT PANEL	1
5	74S02U01S50	RIGHT DOOR	1
-	-----	ELECTROINSTALLATION	1

Page
5
7
14
9
19
23

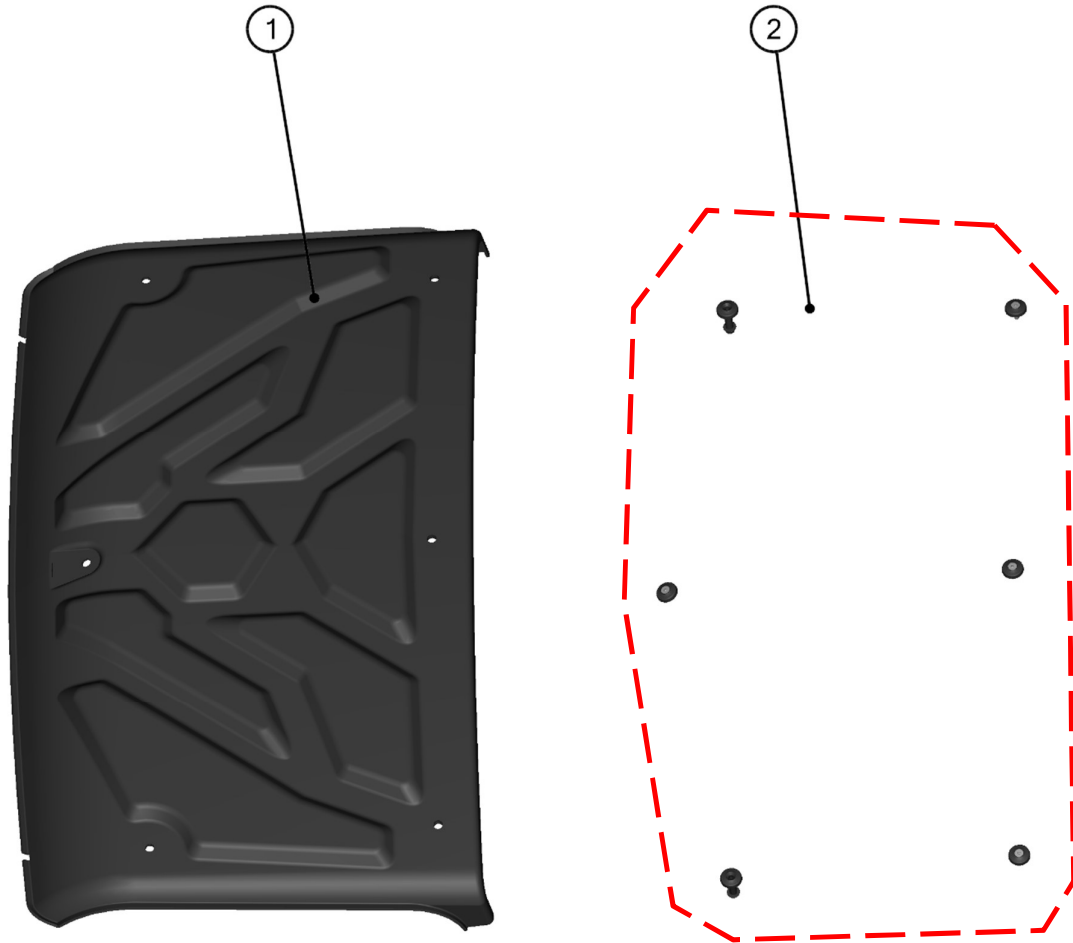
Price

ROOF PANEL



4

ROOF PANEL ASSEMBLIES



5

ID	Catalog no.	Description	Qty
1	74S02U01-30M002	ROOF ASSEMBLY	1
2	74S02U01-30PKM001	ROOF HARDWARE KIT	1

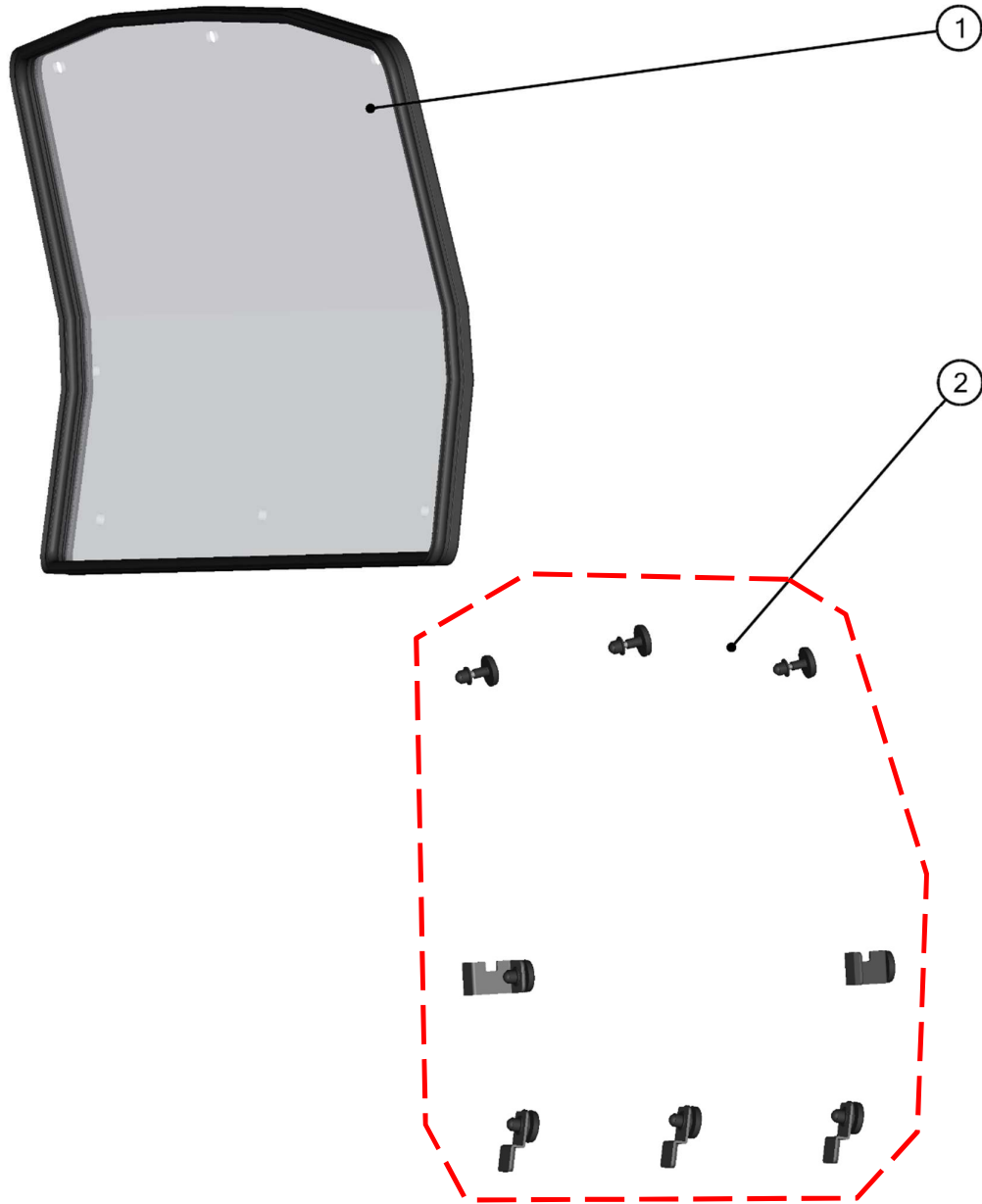
Price

REAR PANEL



6

REAR PANEL ASSEMBLIES



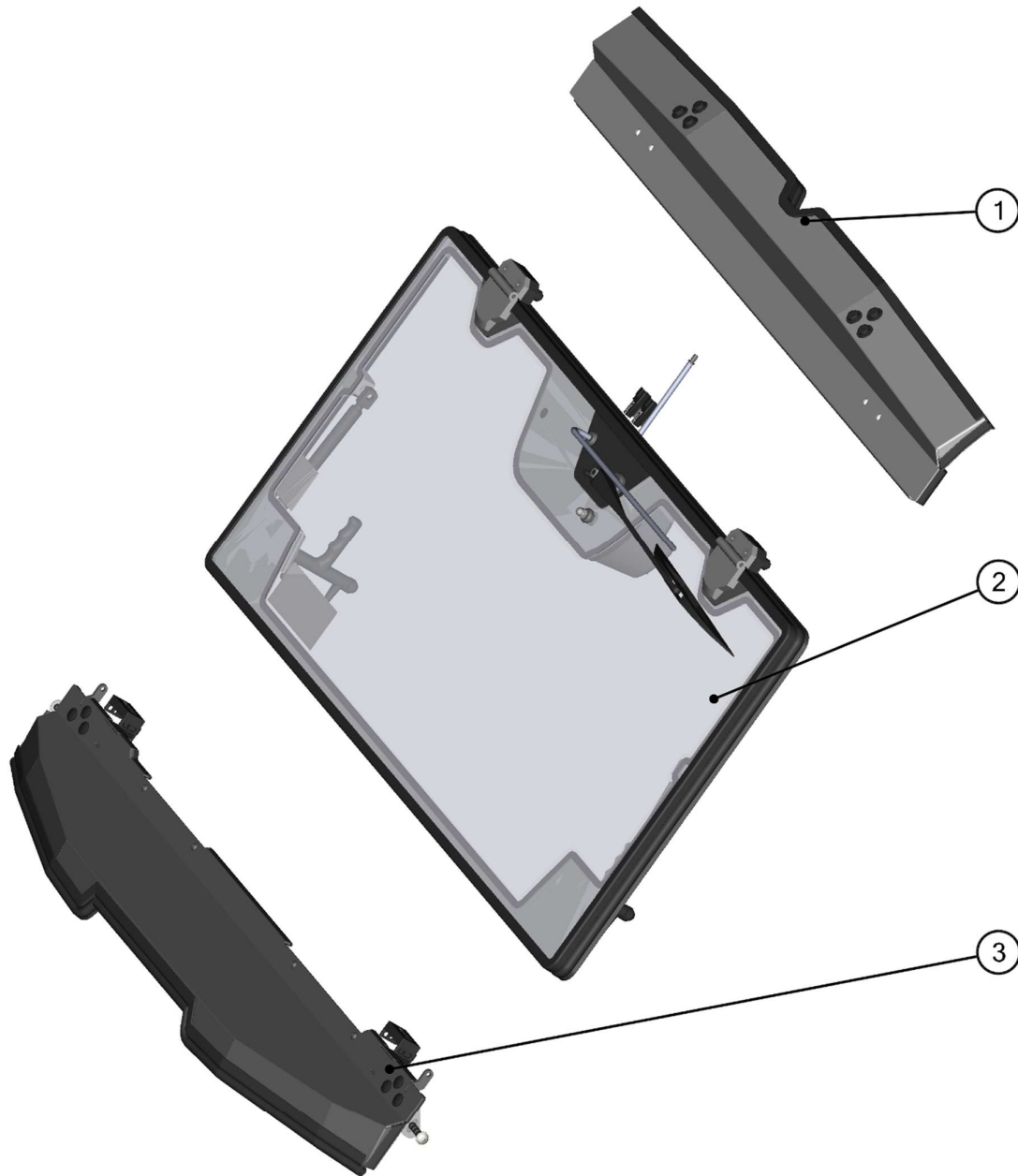
7

ID	Catalog no.	Description	Qty	Price
1	74S02U02-20M001	REAR POLY WITH SEALING	1	
2	74S02U02-20PKM001	REAR HARDWARE KIT	1	

FRONT PANEL

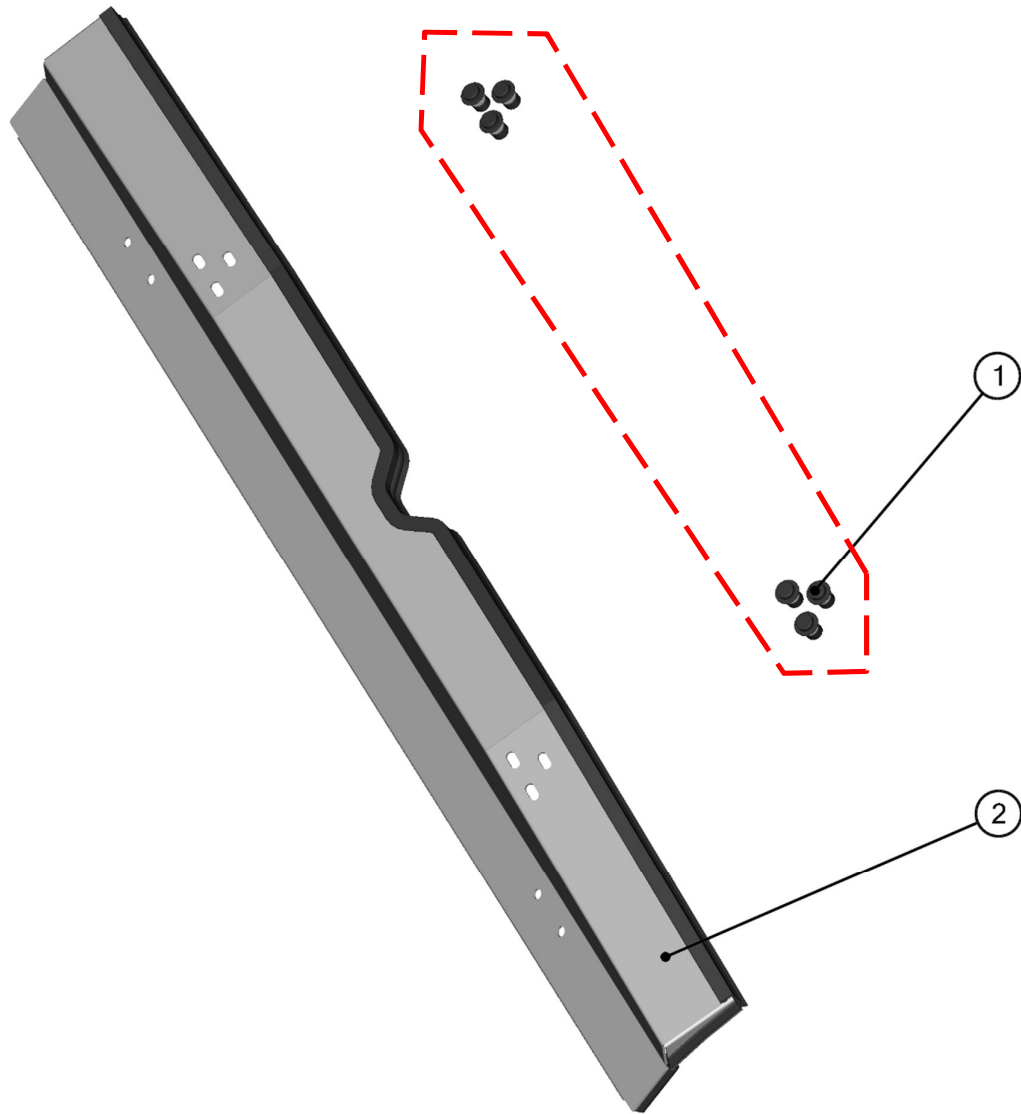


FRONT PANEL ASSEMBLIES



9

FRONT UPPER LEDGE

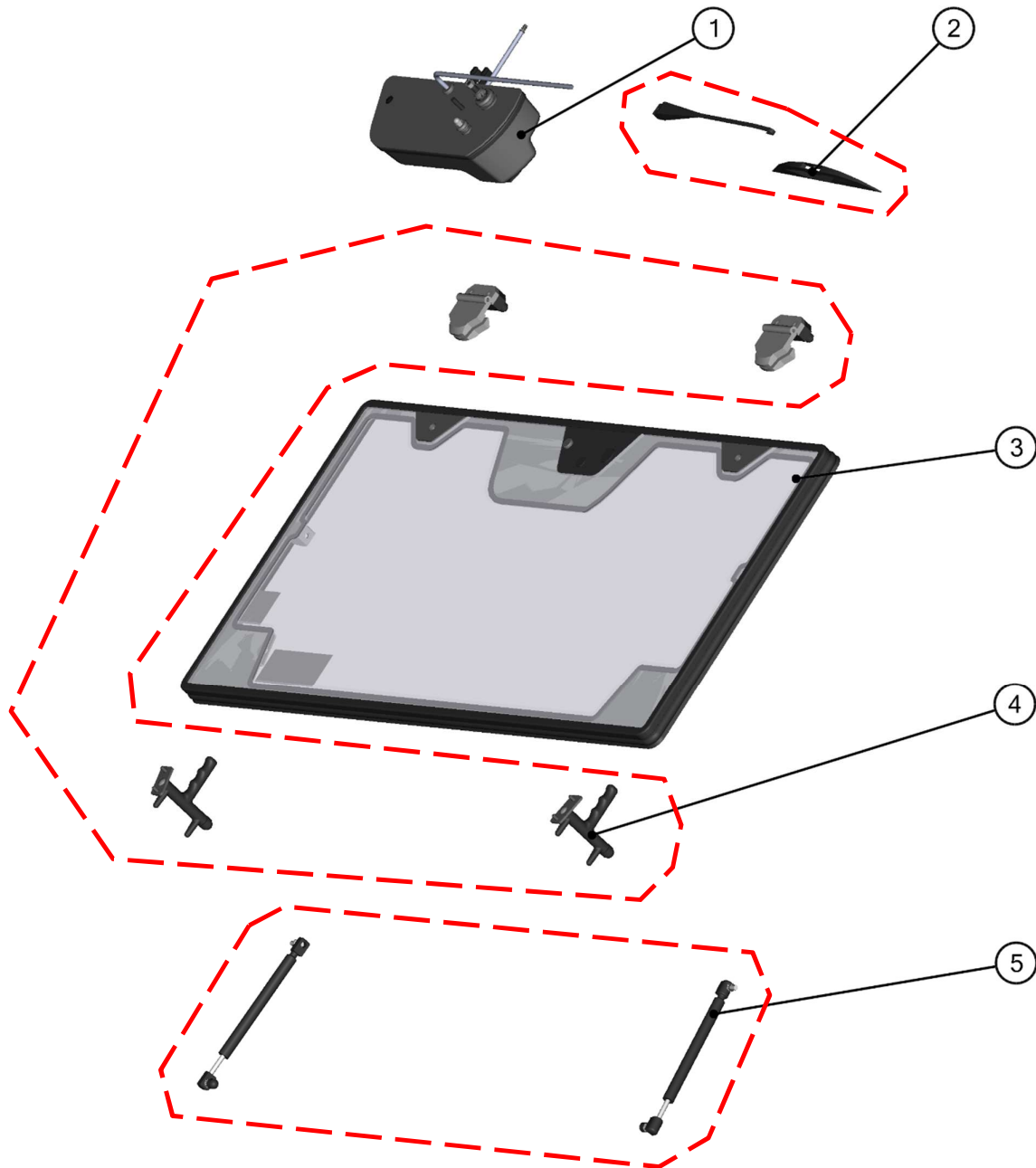


10

ID	Catalog no.	Description	Qty
1	74S02U01-10PKM001	FRONT UPPER FIXING KIT	1
2	74S02U01-10M009	FRONT UPPER LEDGE	1

Price

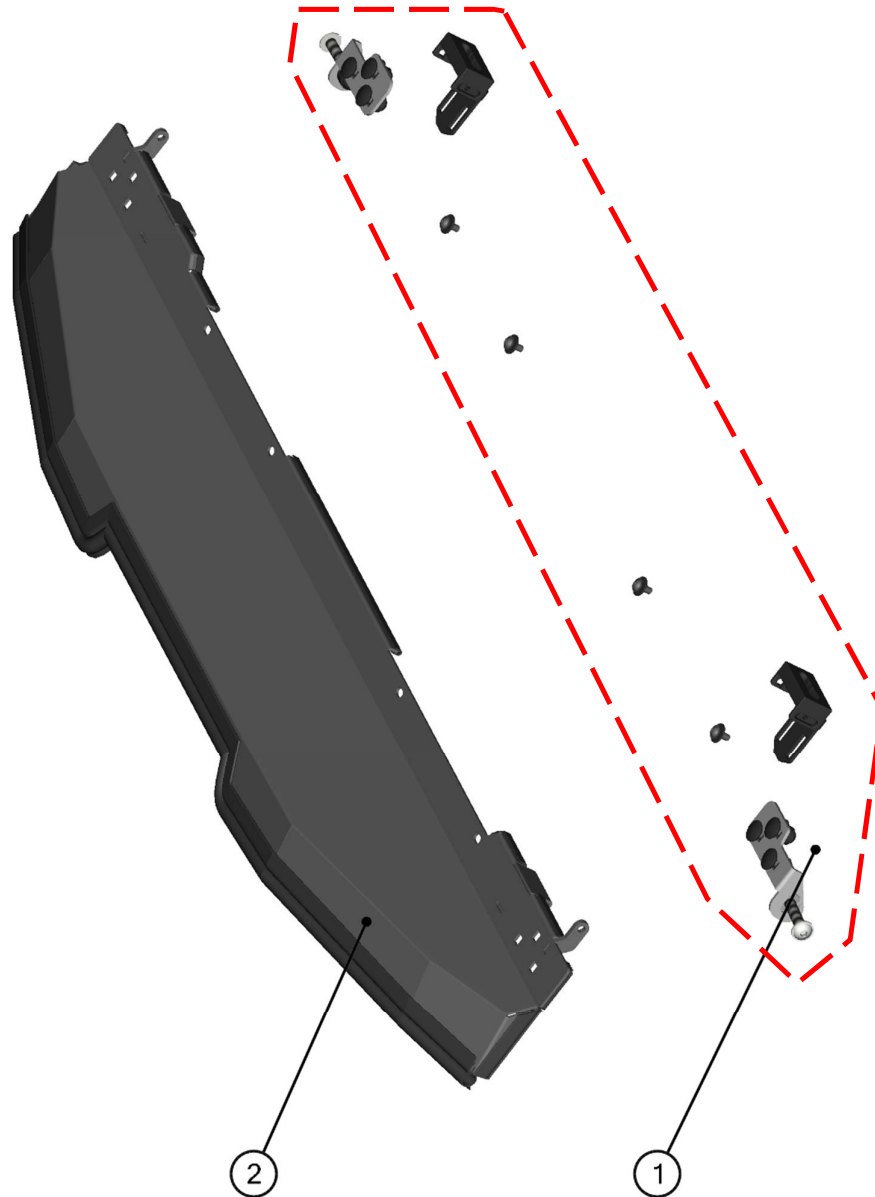
FRONT WINDOW ASSEMBLIES



11

ID	Catalog no.	Description	Qty	Price
1	74S02U01-01M002	FRONT WIPER MOTOR KIT	1	
2	74S02U01-01PKM001	FRONT WIPER ARM WITH BLADE	1	
3	74S02U01-10M001	FRONT GLASS WITH REINFORCEMENT AND SEALING	1	
4	74S02U01-10PKM002	FRONT HARDWARE KIT	1	
5	74S02U01-10PKM003	FRONT GAS SPRING KIT	1	

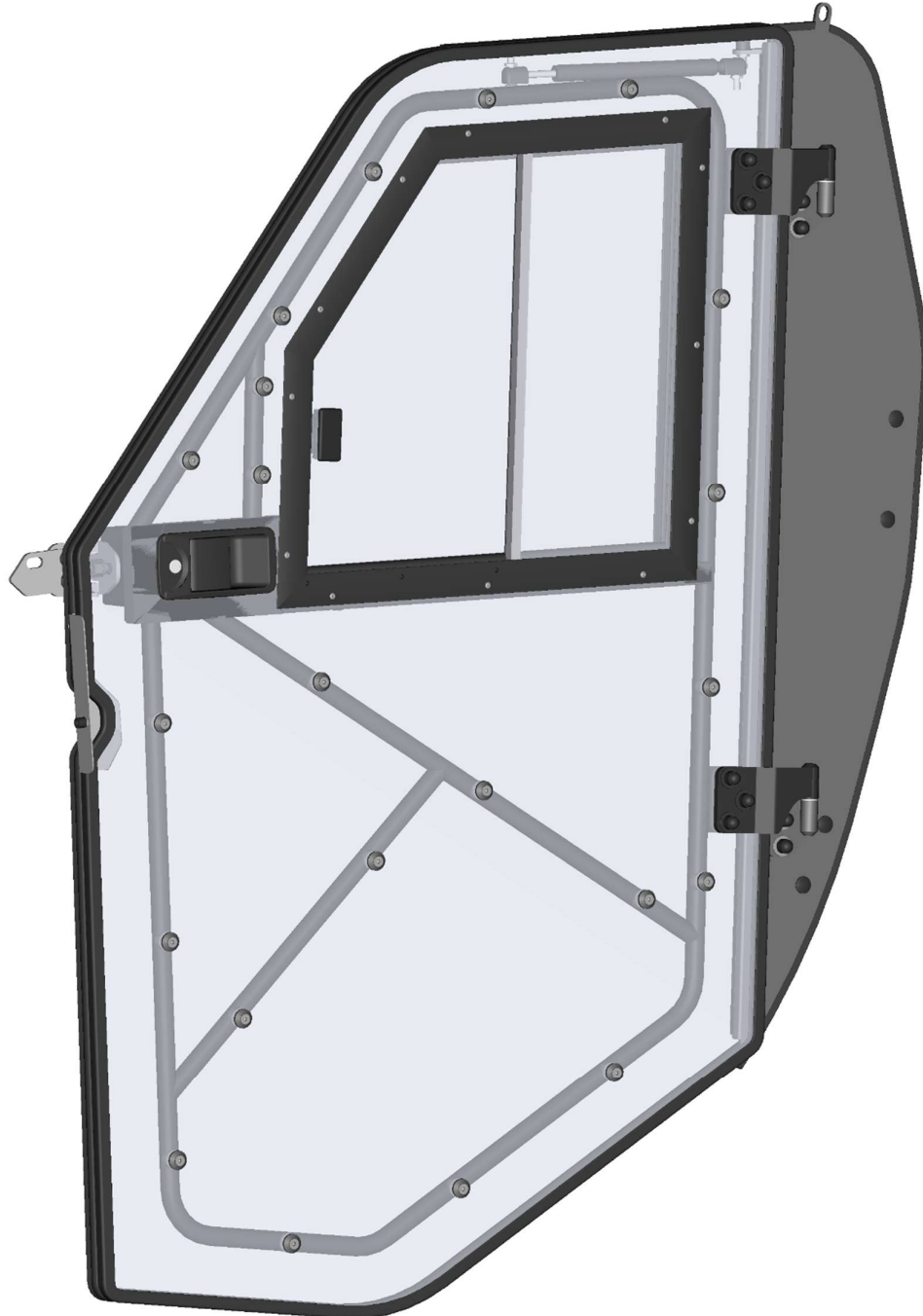
FRONT BOTTOM LEDGE



12

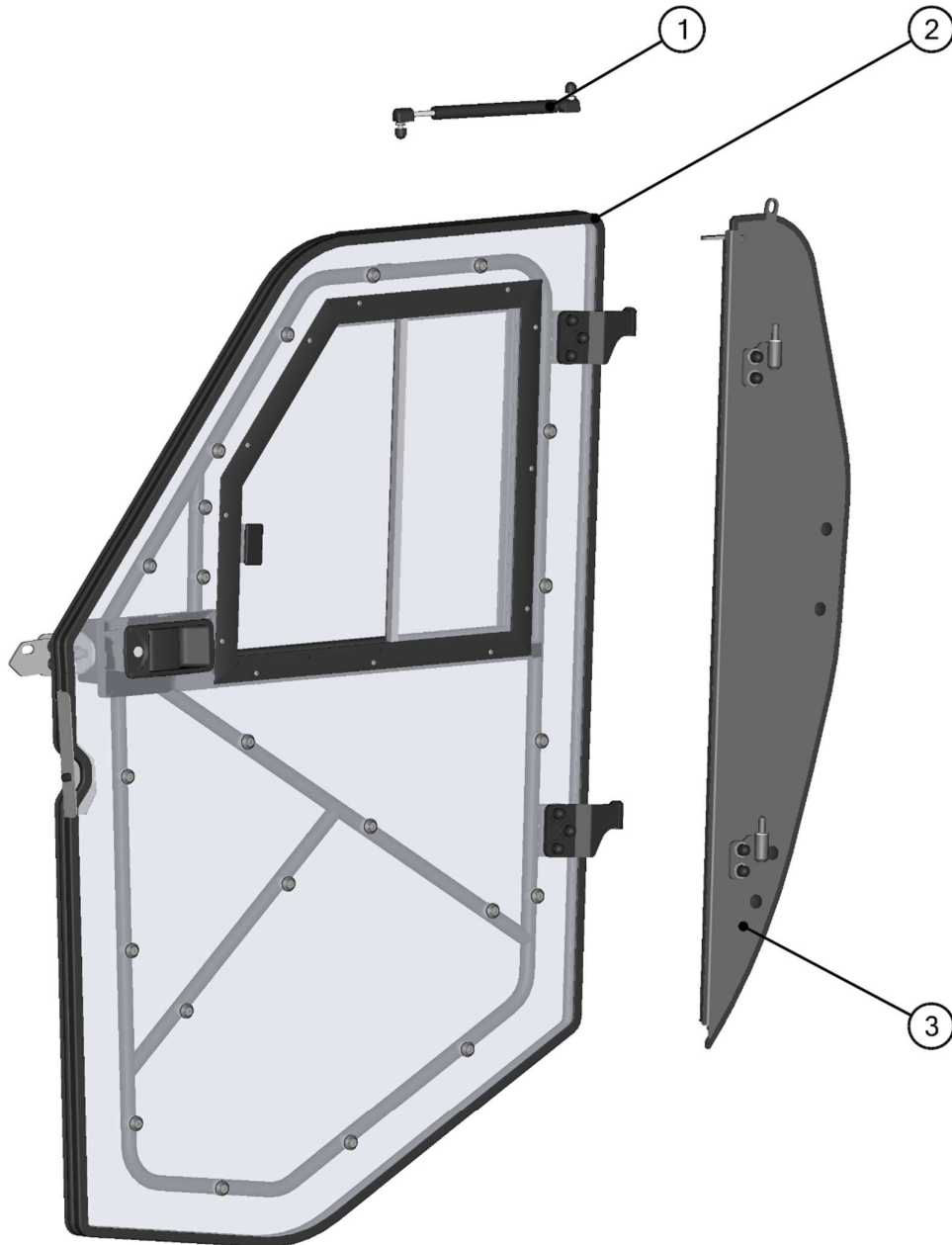
ID	Catalog no.	Description	Qty	Price
1	74S02U01-10PKM004	FRONT BOTTOM HARDWARE KIT	1	
2	74S02U01-10M008	FRONT BOTTOM LEDGE	1	

LEFT DOOR



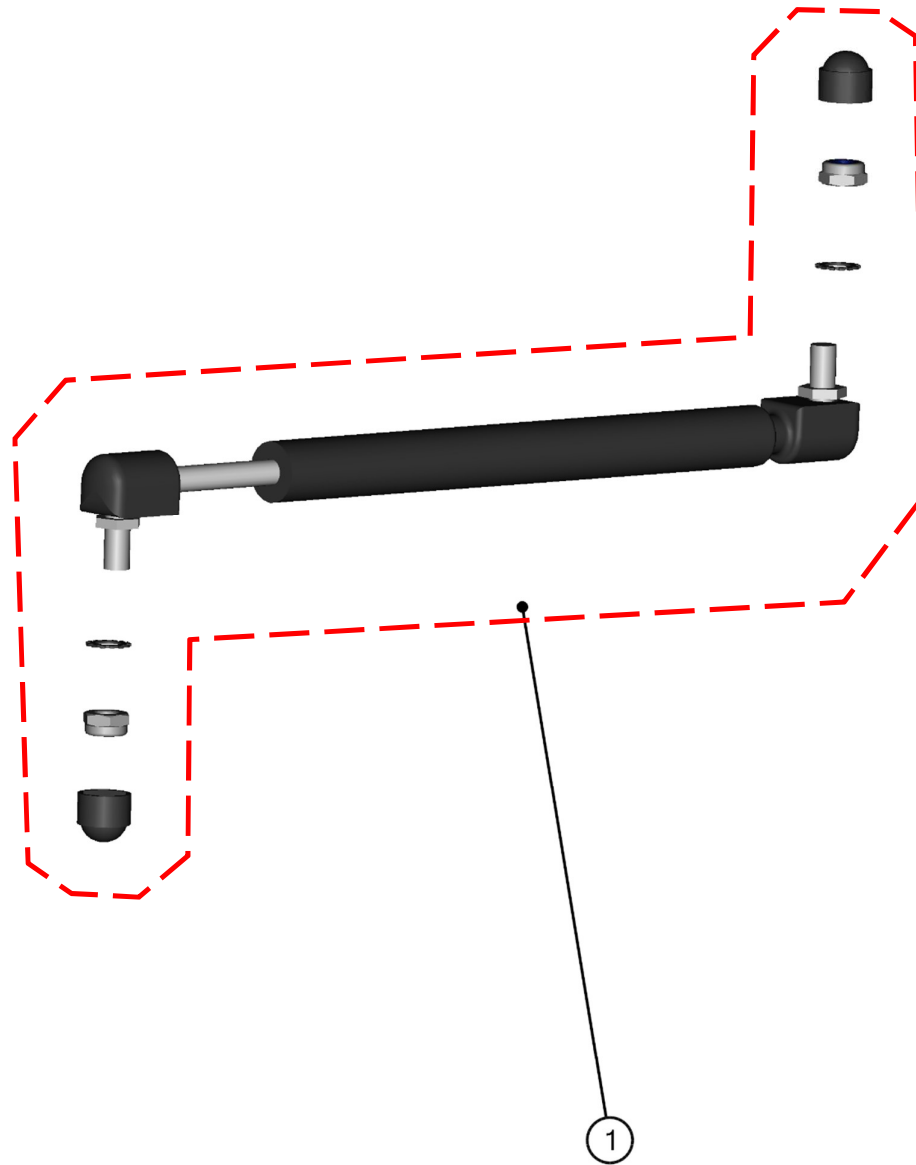
13

LEFT DOOR ASSEMBLIES



14

GAS SPRING ASSEMBLY

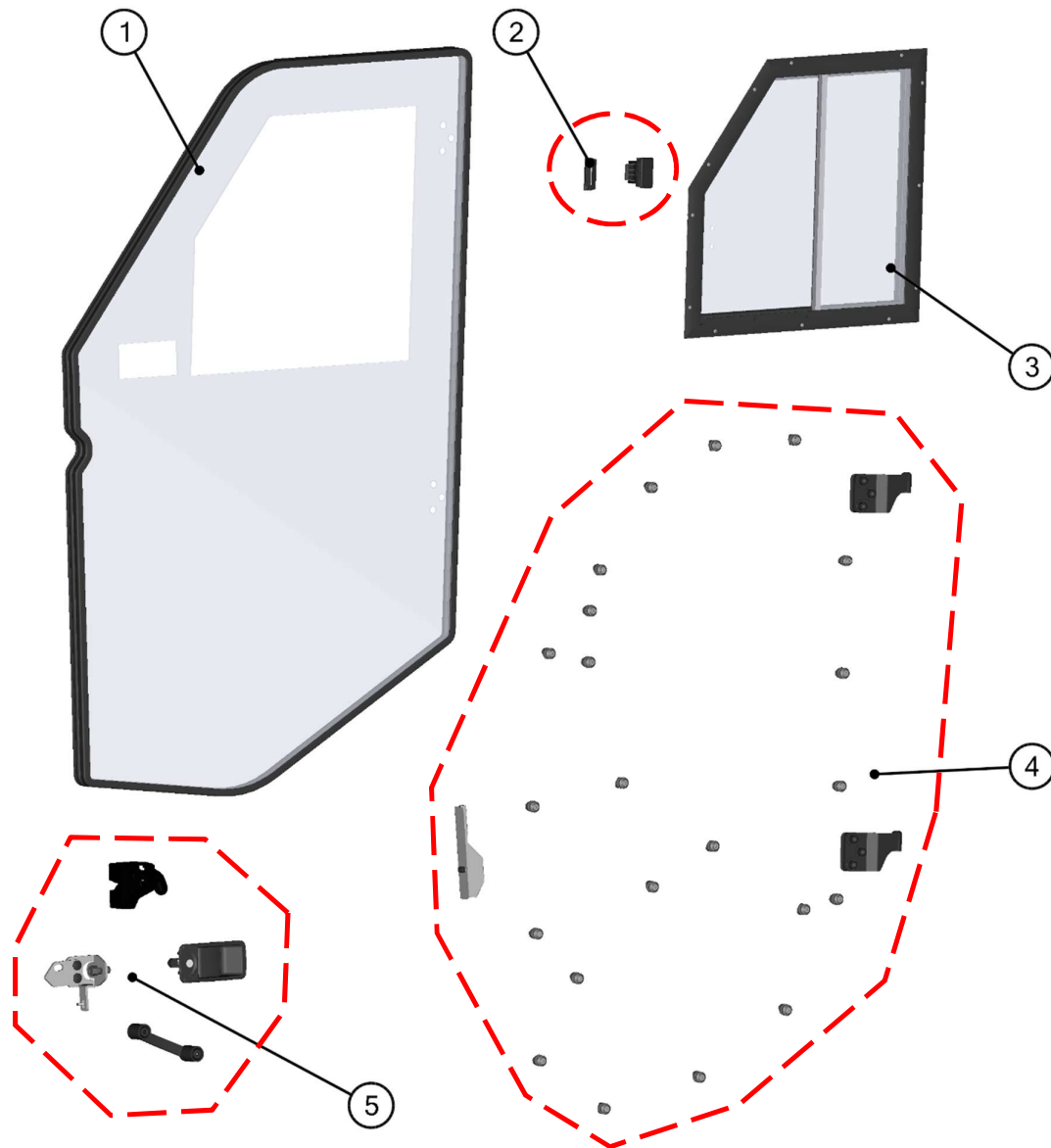


15

ID	Catalog no.	Description	Qty
1	74S02U01-50M011	GAS SPRING ASSEMBLY	1

Price

LEFT DOOR ASSEMBLY

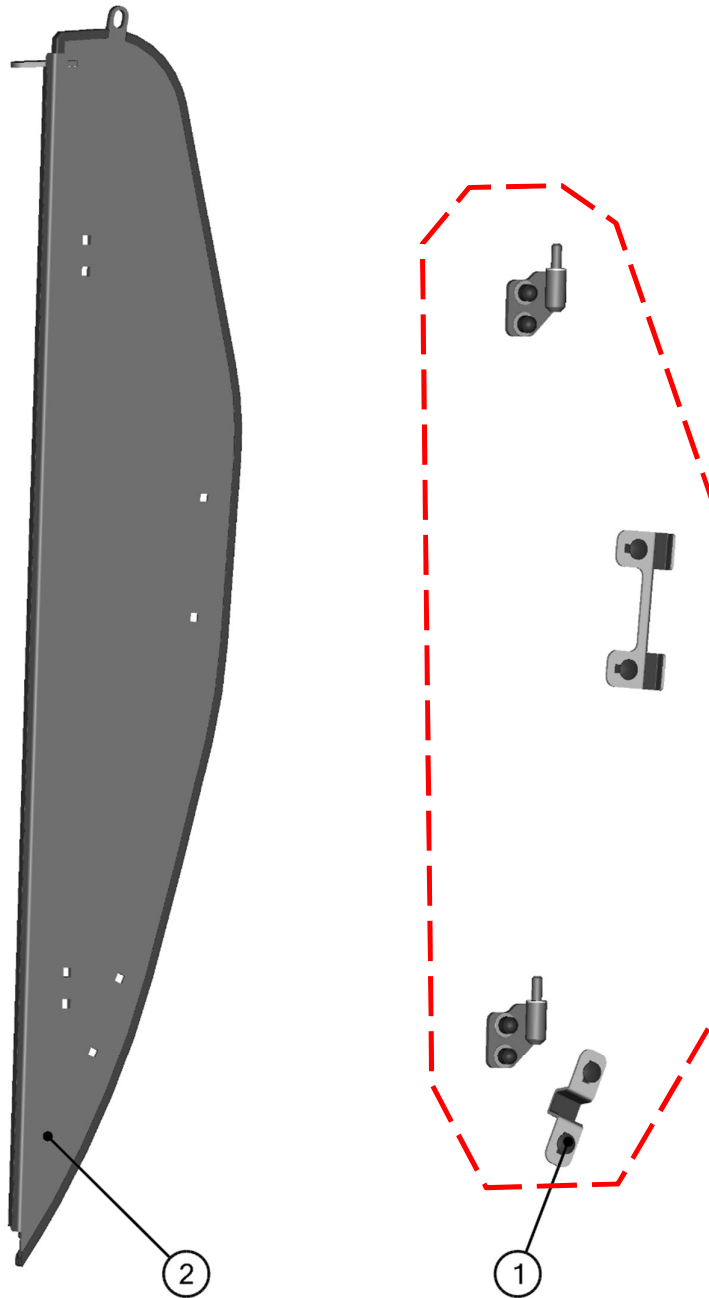


16

ID	Catalog no.	Description	Qty
1	74S02U01-40M001	LEFT POLY WITH SEALING	1
2	74S02U01-40PKM001	GLASS LOCK WITH STOP KIT	1
3	74S02U01-40M003	LEFT DOOR WINDOW ASSEMBLY	1
4	74S02U01-40PKM002	LEFT DOOR HINGES WITH FIXING KIT	1
5	74S02U01-40PKM003	LEFT DOOR LOCK WITH STOP KIT	1

Price

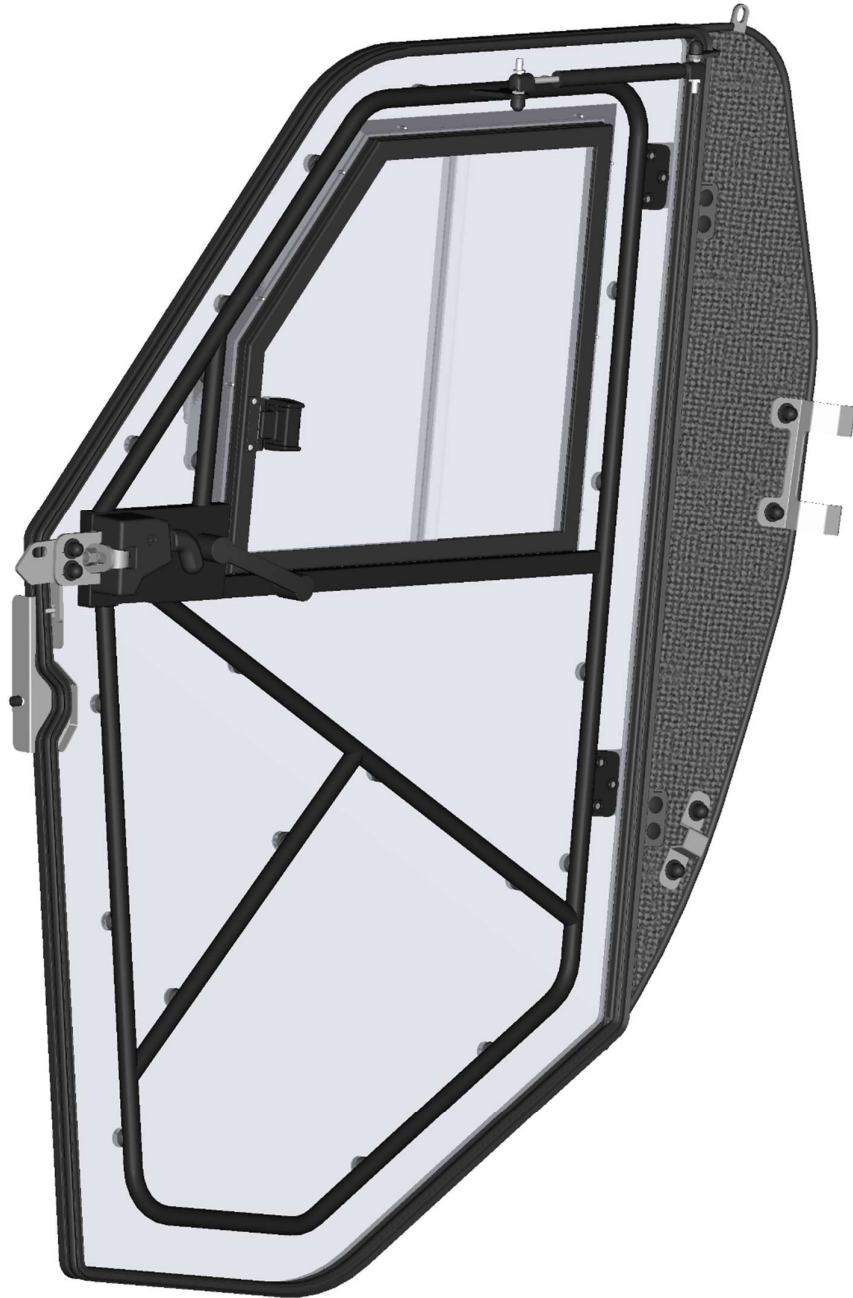
LEFT DOOR BASE



ID	Catalog no.	Description	Qty
1	74S02U01-40PKM004	LEFT DOOR BASE HARDWARE KIT	1
2	74S02U01-40M010	LEFT DOOR BASE ASSEMBLY	1

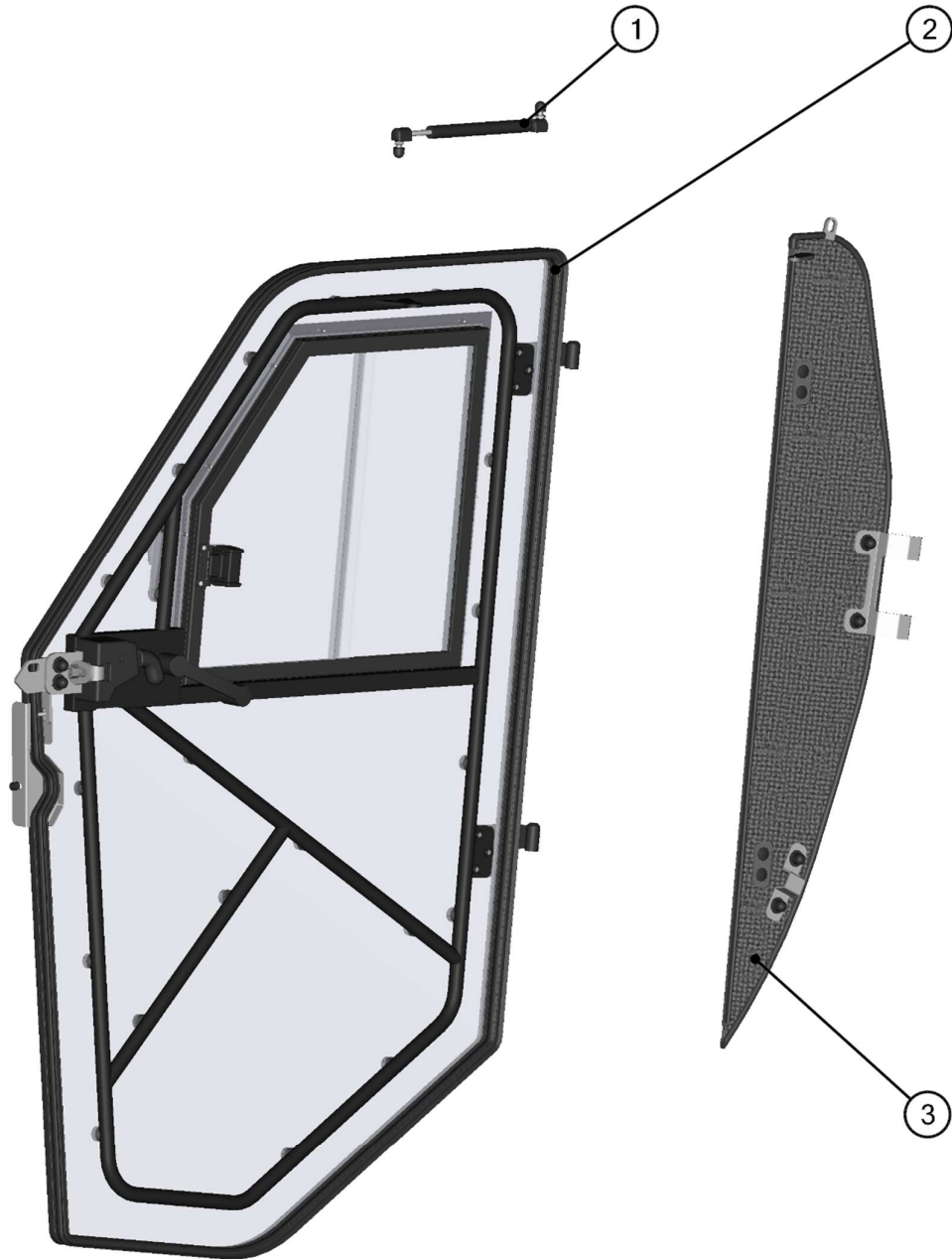
Price

RIGHT DOOR

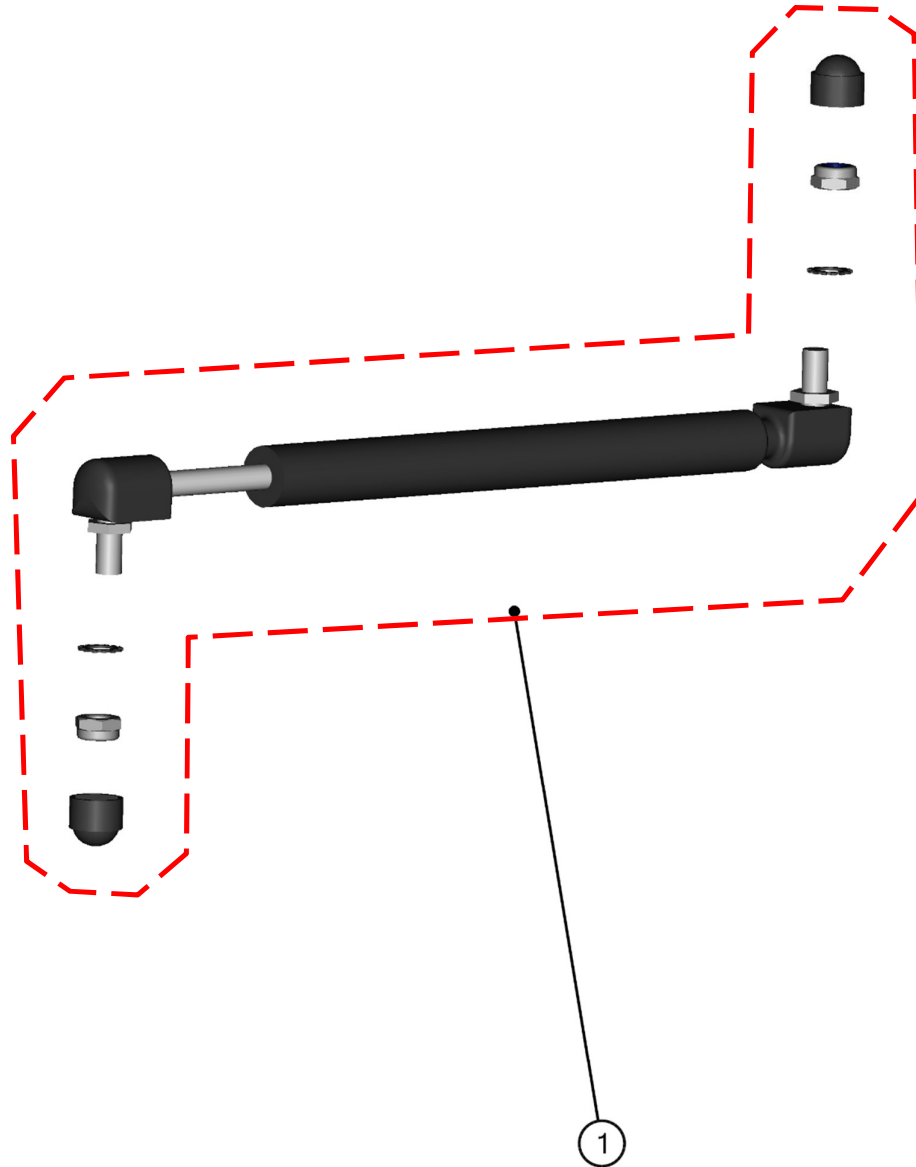


18

RIGHT DOOR ASSEMBLIES



GAS SPRING ASSEMBLY

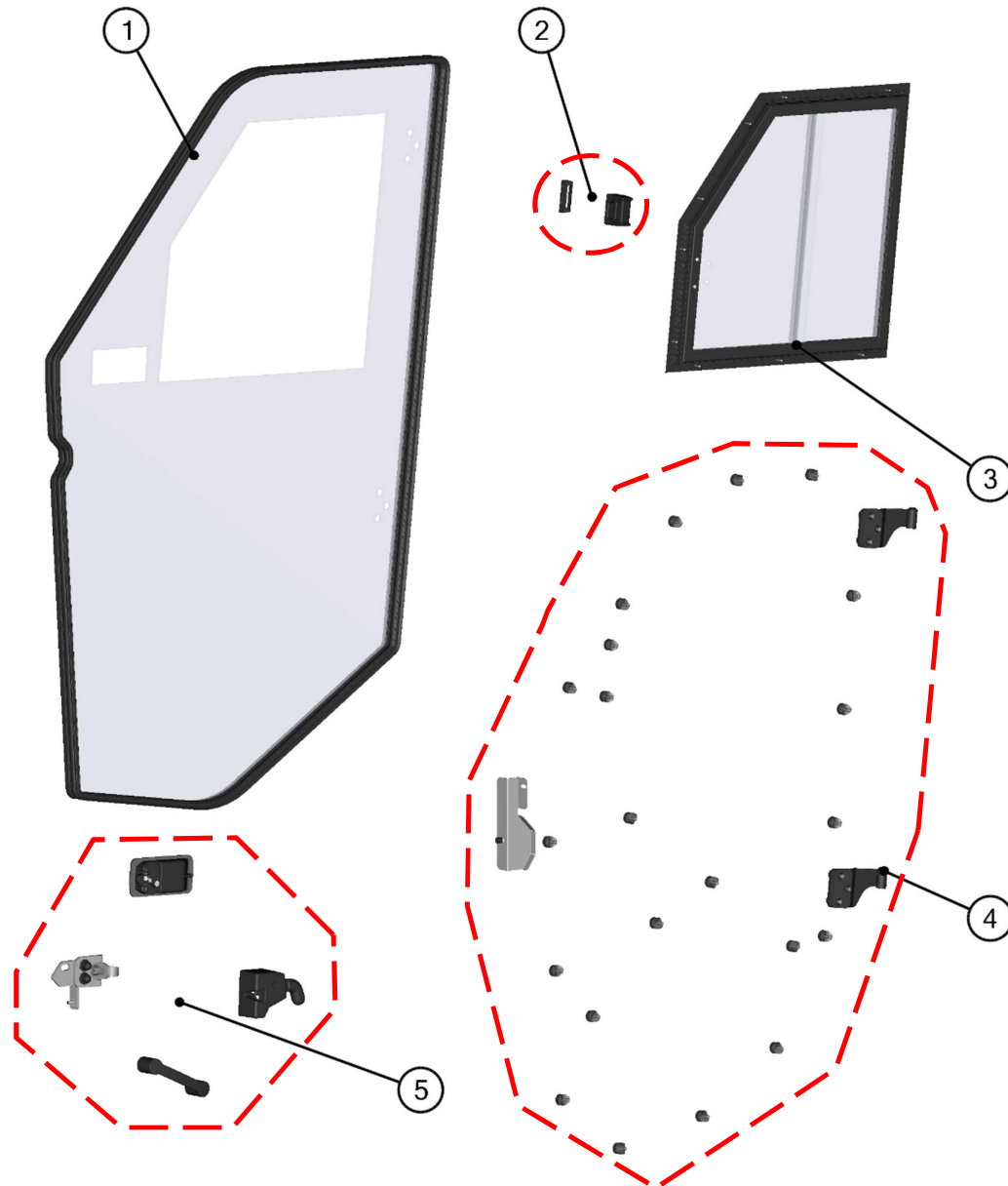


20

ID	Catalog no.	Description	Qty
1	74S02U01-50M011	GAS SPRING ASSEMBLY	1

Price

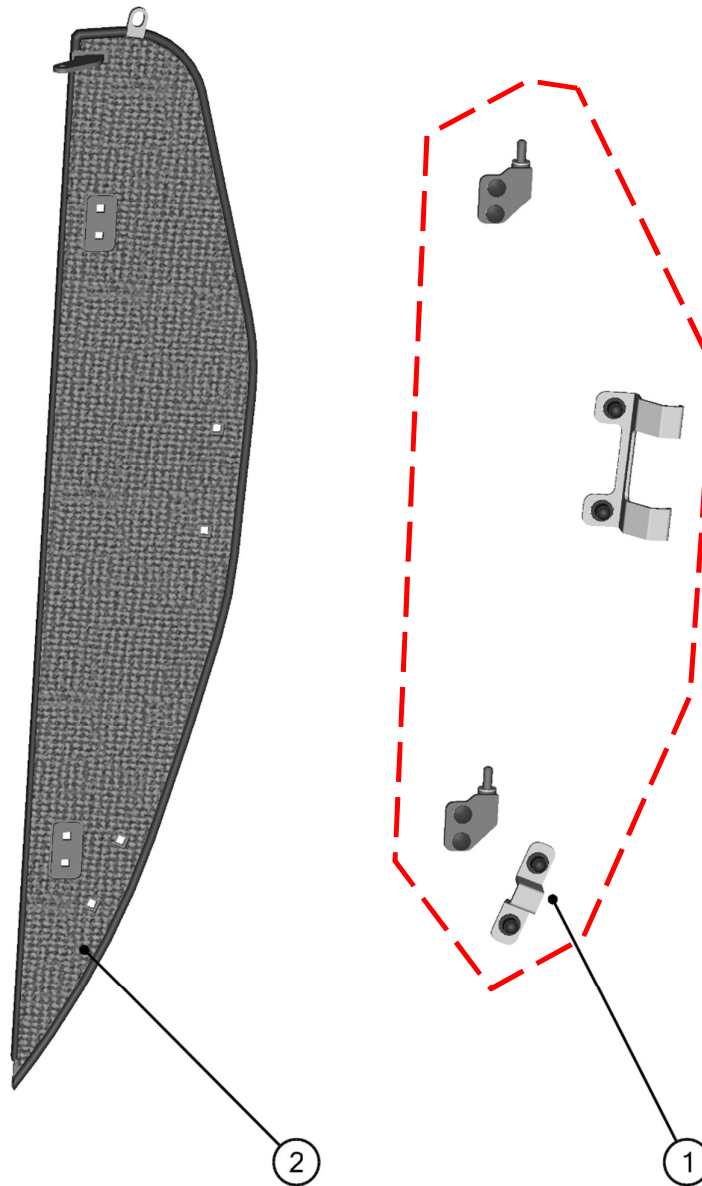
RIGHT DOOR ASSEMBLIES



21

ID	Catalog no.	Description	Qty	Price
1	74S02U01-50M001	RIGHT POLY WITH SEALING	1	
2	74S02U01-40PKM001	GLASS LOCK WITH STOP KIT	1	
3	74S02U01-50M003	RIGHT DOOR WINDOW ASSEMBLY	1	
4	74S02U01-50PKM002	RIGHT DOOR HINGES WITH FIXING KIT	1	
5	74S02U01-50PKM003	RIGHT DOOR LOCK WITH STOP KIT	1	

RIGHT DOOR BASE



22

ID	Catalog no.	Description	Qty
1	74S02U01-50PKM004	RIGHT DOOR BASE HARDWARE KIT	1
2	74S02U01-50M010	RIGHT DOOR BASE ASSEMBLY	1

Price

ELECTROINSTALLATION

Position	Catalog no.	Description	Qty	Price
1	004322	WIPER/WASHER SWITCH	1	
2	005486	LIGHT SWITCH	1	
3	000885	WASHER TANK	1	
4	009210	WIPER + WASHER HARNESS	1	
5	009209	SUPPLY HARNESS	1	
6	009211	HEATER HARNESS	1	
7	005878	HEATER BODY	1	
8	002471	WATER PUMP	1	
9	002386	EL. VALVE	1	
10	002702	VENT SWITCH	1	
11	002391	EL. VALVE SWITCH	1	
12	002739	DIFUZOR	1	
13	002848	DIFUZOR	1	
14	00-109U-M006	SIDE MIRRORS KIT	1	

		
<p>Position: 1</p>	<p>Position: 2</p>	<p>Position: 3</p>
<p>Catalog no.: 004322</p>	<p>Catalog no.: 005486</p>	<p>Catalog no.: 000885</p>
		
<p>Position: 4</p>	<p>Position: 5</p>	<p>Position: 6</p>
<p>Catalog no.: 009210</p>	<p>Catalog no.: 009209</p>	<p>Catalog no.: 009211</p>
		
<p>Position: 7</p>	<p>Position: 8</p>	<p>Position: 9</p>
<p>Catalog no.: 005878</p>	<p>Catalog no.: 002471</p>	<p>Catalog no.: 002386</p>

		
Position: 10	Position: 11	Position: 12
Catalog no.: 002702	Catalog no.: 002391	Catalog no.: 002739
		
Position: 13	Position: 14	
Catalog no.: 002848	Catalog no.: 00-109U-M006	