



INSTALLATION INSTRUCTIONS

YAMAHA
WOLVERINE X4



SAFETY INSTRUCTIONS

Warning: Failure to heed all safety and operating instructions and warnings regarding use of this product can result in serious bodily injury.

READ PROPERLY COMPLETE ASSEMBLY INSTRUCTIONS BEFORE STARTING OF ASSEMBLY

Install all parts indicated in assembly instructions. Failure to fully assemble product before use could result in personal injury.

Assembly of product requires use of hand or power tools. If you are not experienced in using these types of tools, have product dealer do the install for you.

Some parts contain sharp edges, wear protective gloves if necessary. Always keep your assembly area clean, uncluttered and well lit.

Keep visitors and children a safe distance away from the assembly area. Visitors should wear the same safety equipment described under.

Never operate your UTV with the cab doors open. Failure to properly latch the doors before moving the vehicle could result in serious injury.

Dress for safety. DO NOT wear loose clothing, gloves, neckties or jewelry if using power tools to assemble this product. Insert all nut covers after you finish installation.

Never drive your UTV with the cab front window in open position.

Failure of improperly latched/locked front window before driving the vehicle could result in serious injury.

MAINTANCE AND CLEANING

To clean polycarbonate surface use soapy water solution or other subtle means.

Dirt and dust wash by gently water stream and swipe only with wet or damp means in the direction from top to bottom.

The recommended frequency of cleaning of polycarbonate part is about 1 time per month or according to the actual degree of pollution.

Do not use detergents that could scratch the surface plates. (abrasives, harsh fabrics, etc.)

Do not use solvents or alkaline detergents or cleaners with ammonia (ammonium hydroxide).

Do not remove the impurities from the surface of the razor blades or other sharp items.

Do not clean cabin, when the polycarbonate plates are heated by the sun.

Do not use the squeegee, it could be scratched surface plates.

Do not clean the water current strength greater than 50 bar (WAP).

The manufacturer is not responsible for scratching the surface in case of failure to comply with the above instructions.

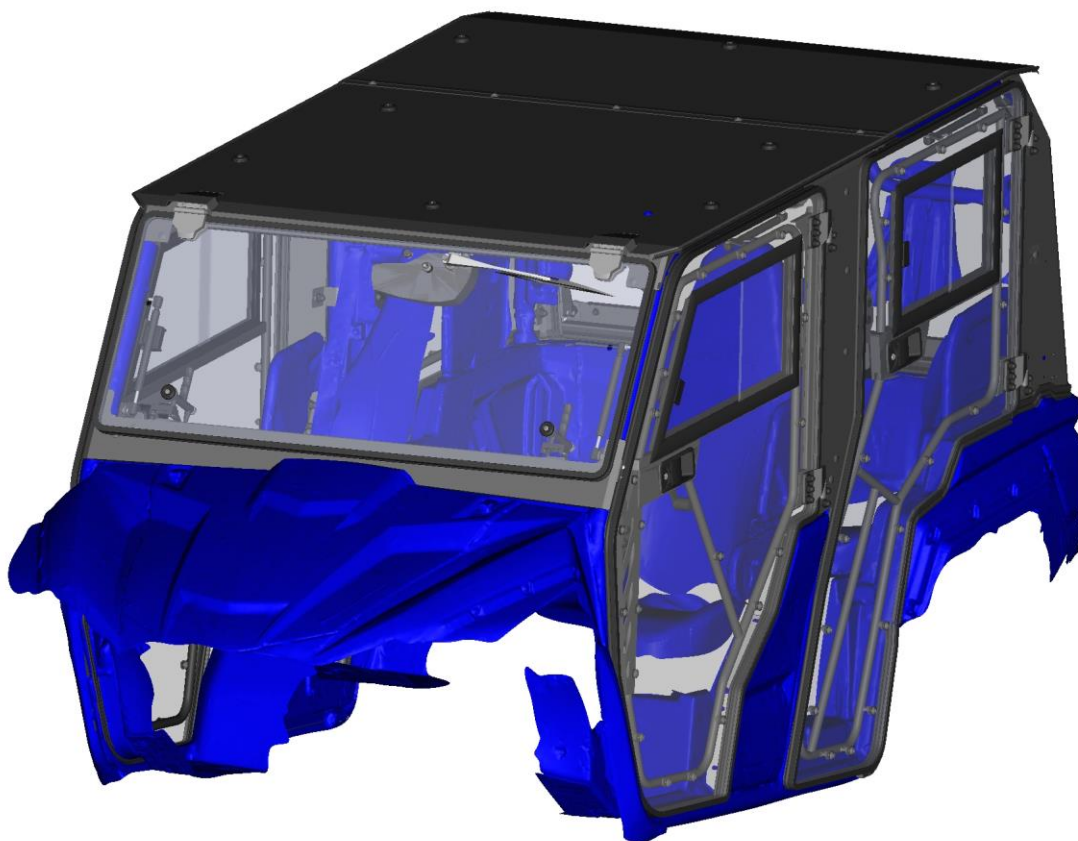
All bolted connections of cab must be by user at regular intervals checked and tightened.

It is necessary to check the air filter of the heater regularly, depending on the dust environment in which the vehicle is operated.

PREPARATION FOR INSTALLATION

Uninstall all additional systems from the roller cages (work lights, rear mirrors, drink holders etc.)

CAB PREVIEW

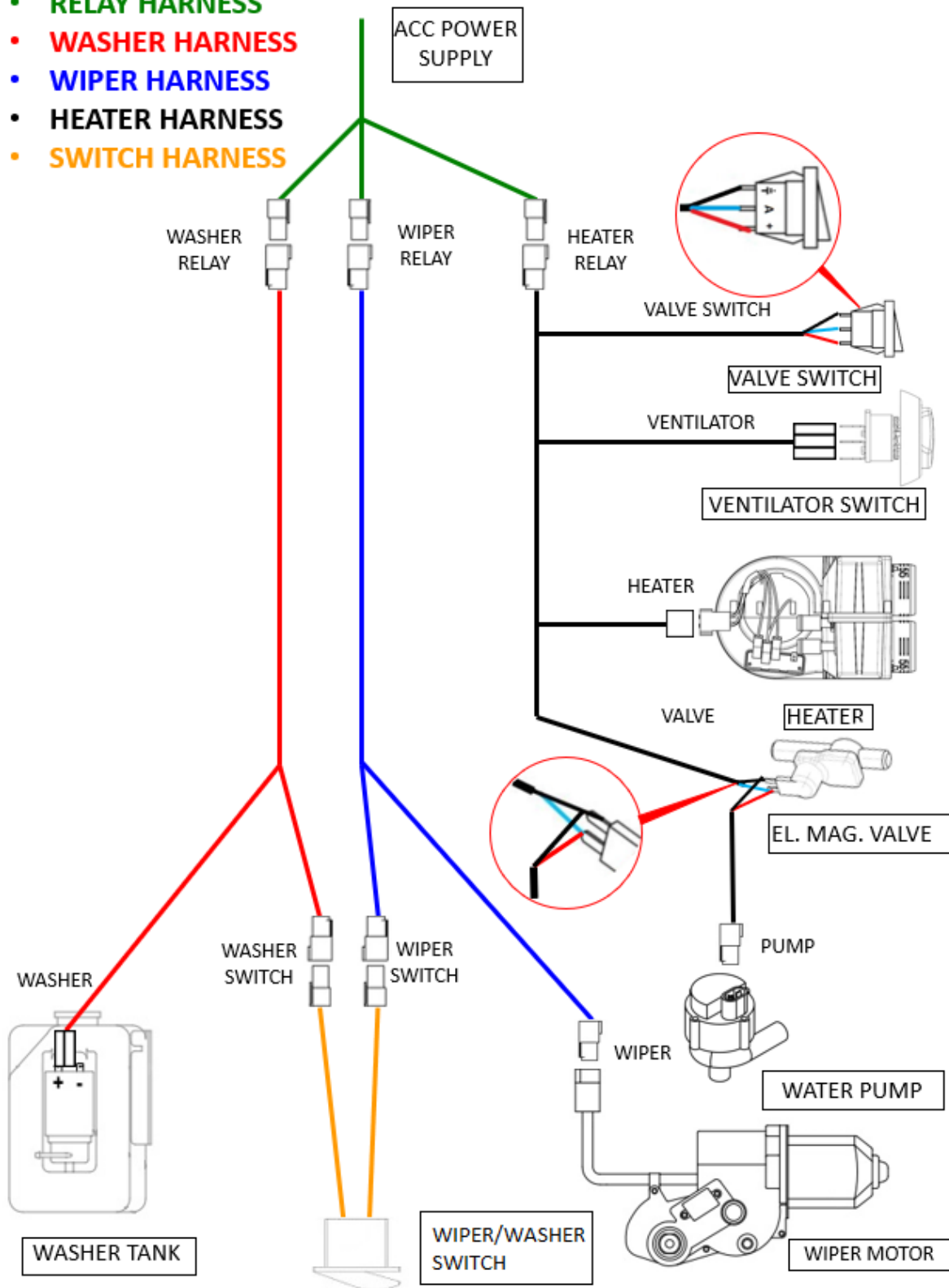


4

ELECTROINSTALLATION 1.

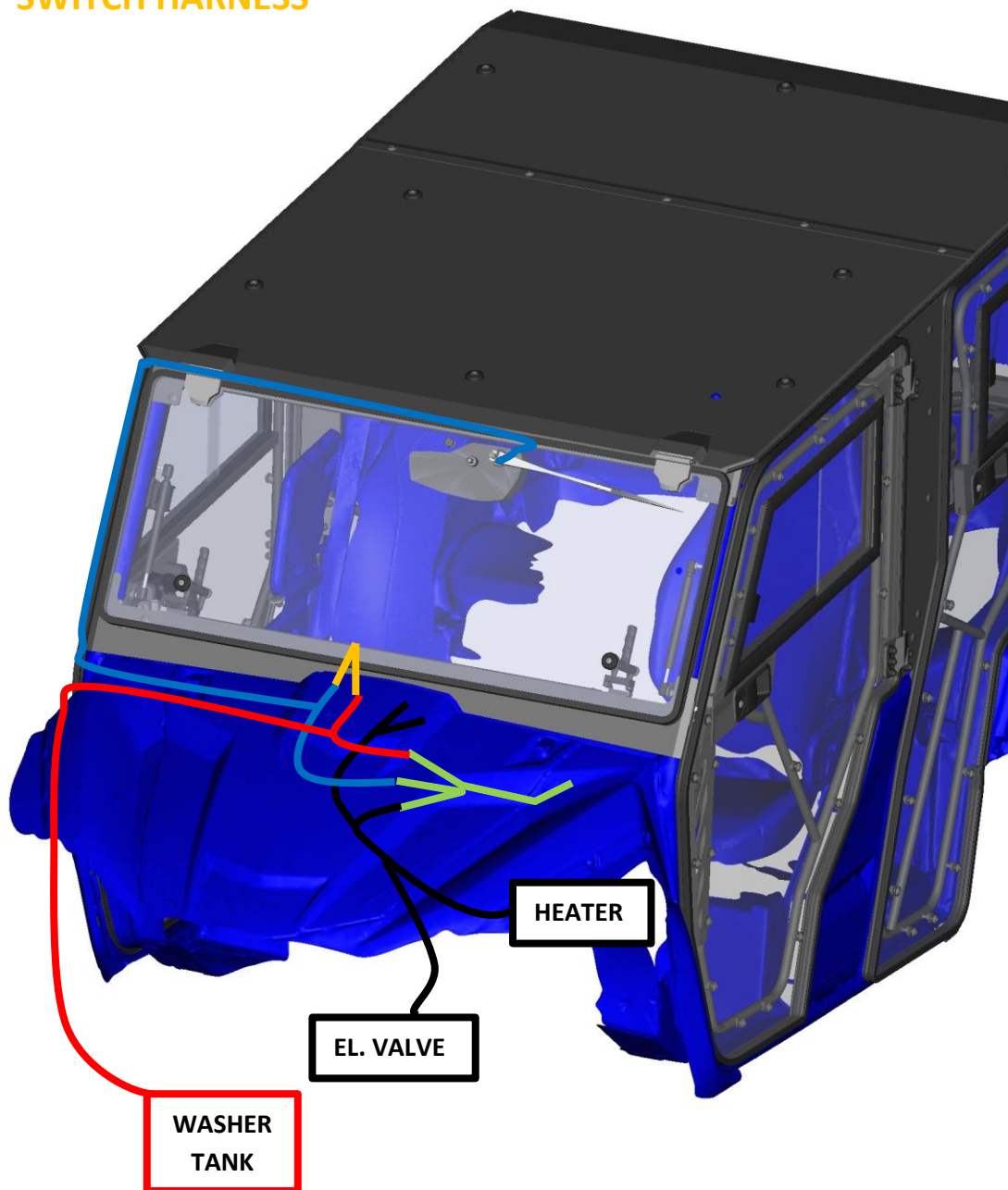
Overall wiring diagram

- **RELAY HARNESS**
- **WASHER HARNESS**
- **WIPER HARNESS**
- **HEATER HARNESS**
- **SWITCH HARNESS**



Schematic wiring on the vehicle.

- RELAY HARNESS
- WASHER HARNESS
- WIPER HARNESS
- HEATER HARNESS
- SWITCH HARNESS



6

Uninstall original front dashboard cover from vehicle.



7

Install the washer tank holder into the front cooler space.



Mount the washer tank onto the installed holder.



Run the washer harness from the front cooler space to the dashboard inner space.



8

Unmount the dashbard upper cover. Connect the wiper harness with the relay harness and place into the dashboard inner space.



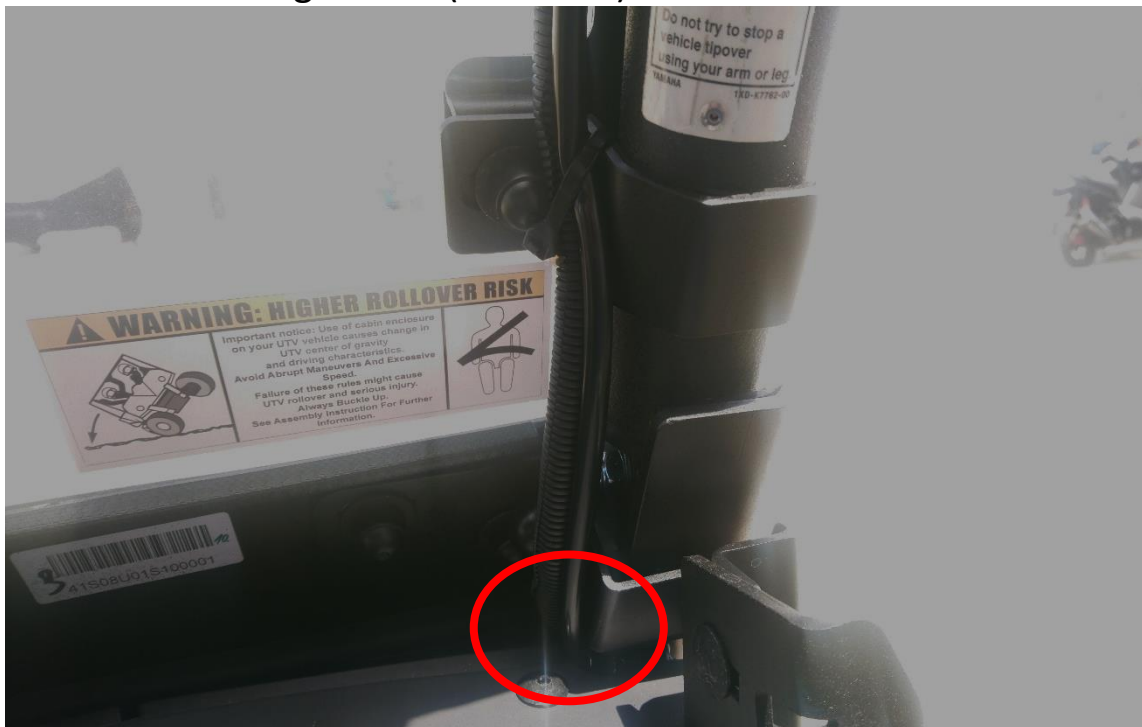
Run the wiper harness and washer harness to the original switch covers. Take out the left upper switch cover and run the wiper harness and washer harness through the original hole. Connect the switch harness with the wiper harness and washer harness. Press the switch into the original hole.



Detail view of connection.



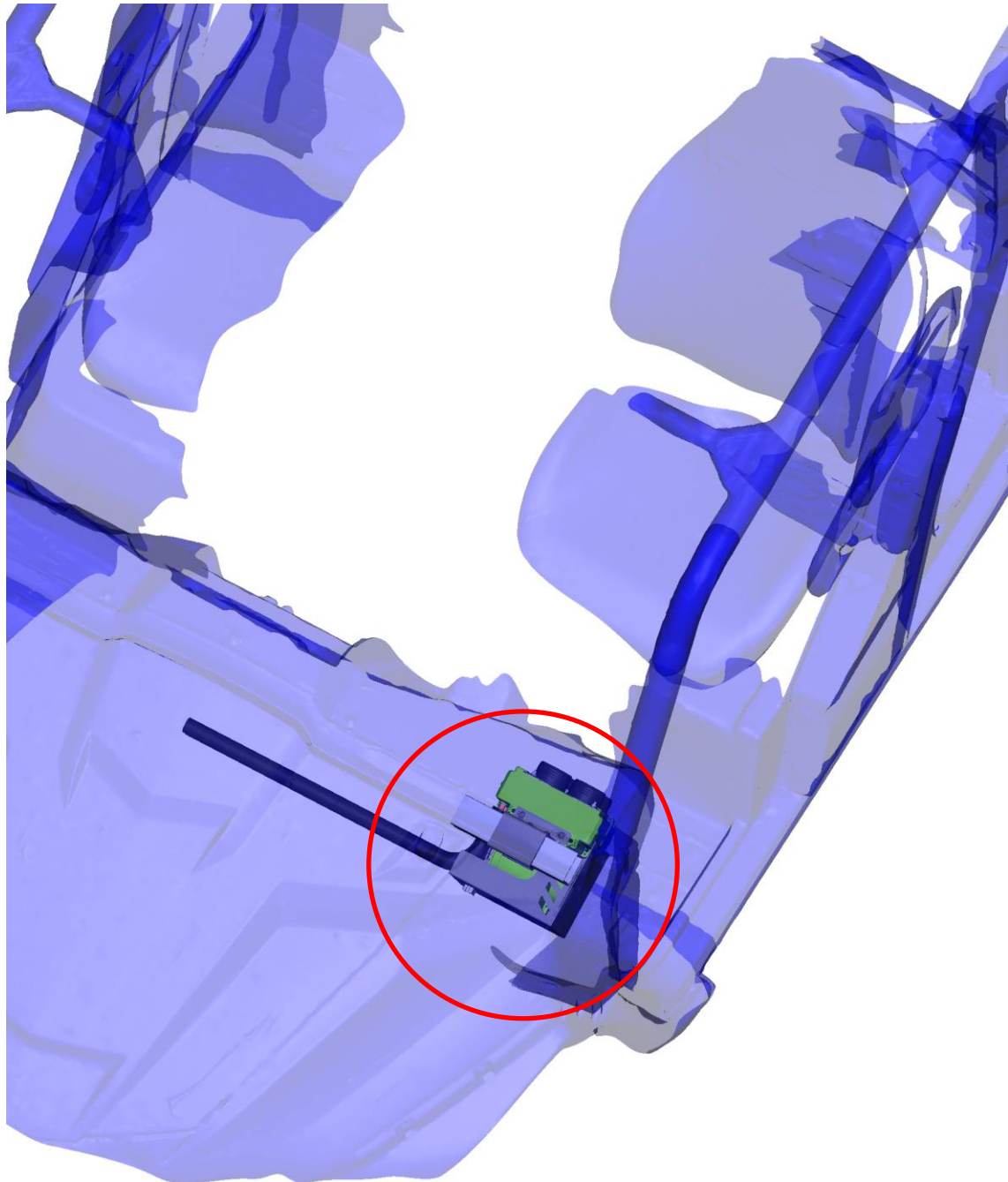
Run the wiper harness with the washer tube to the right front frame and through hole (red mark).



10

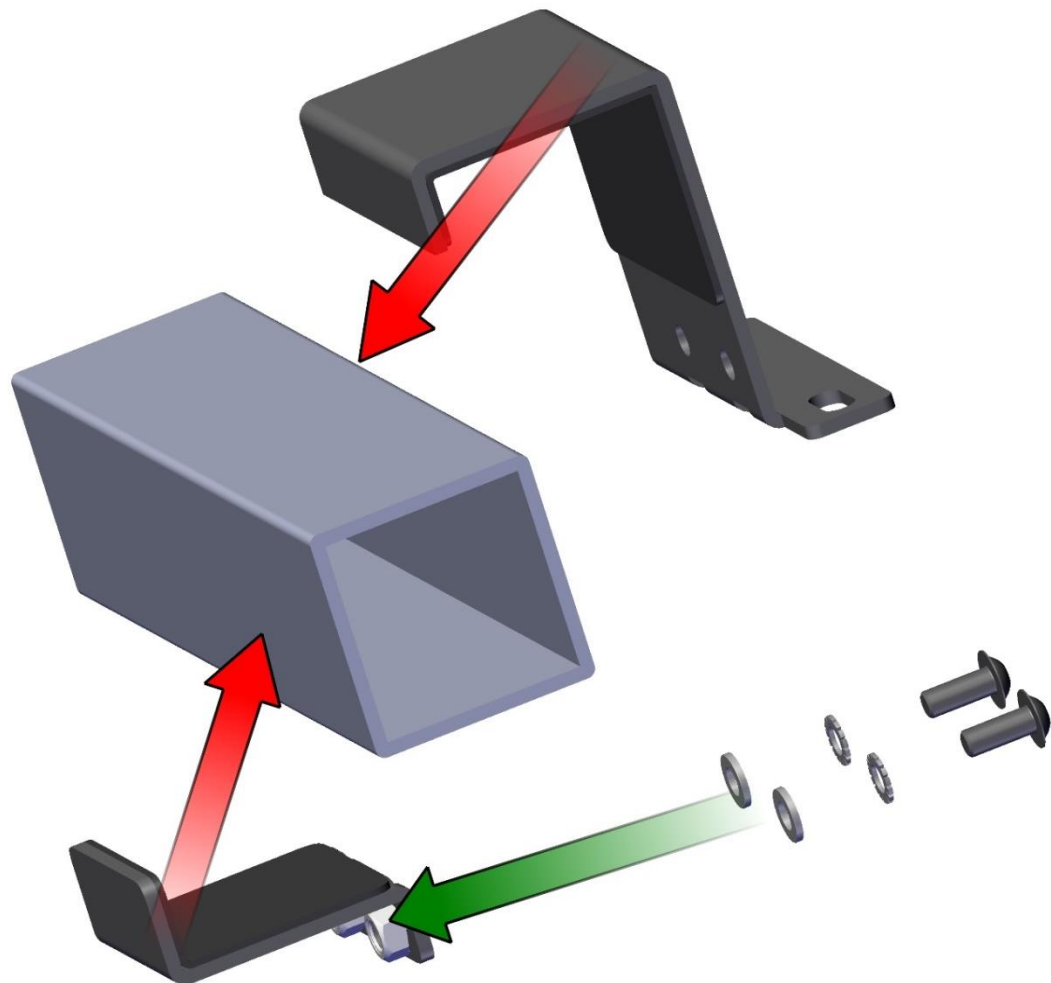
HEATER

Heater position overview (outer side view).



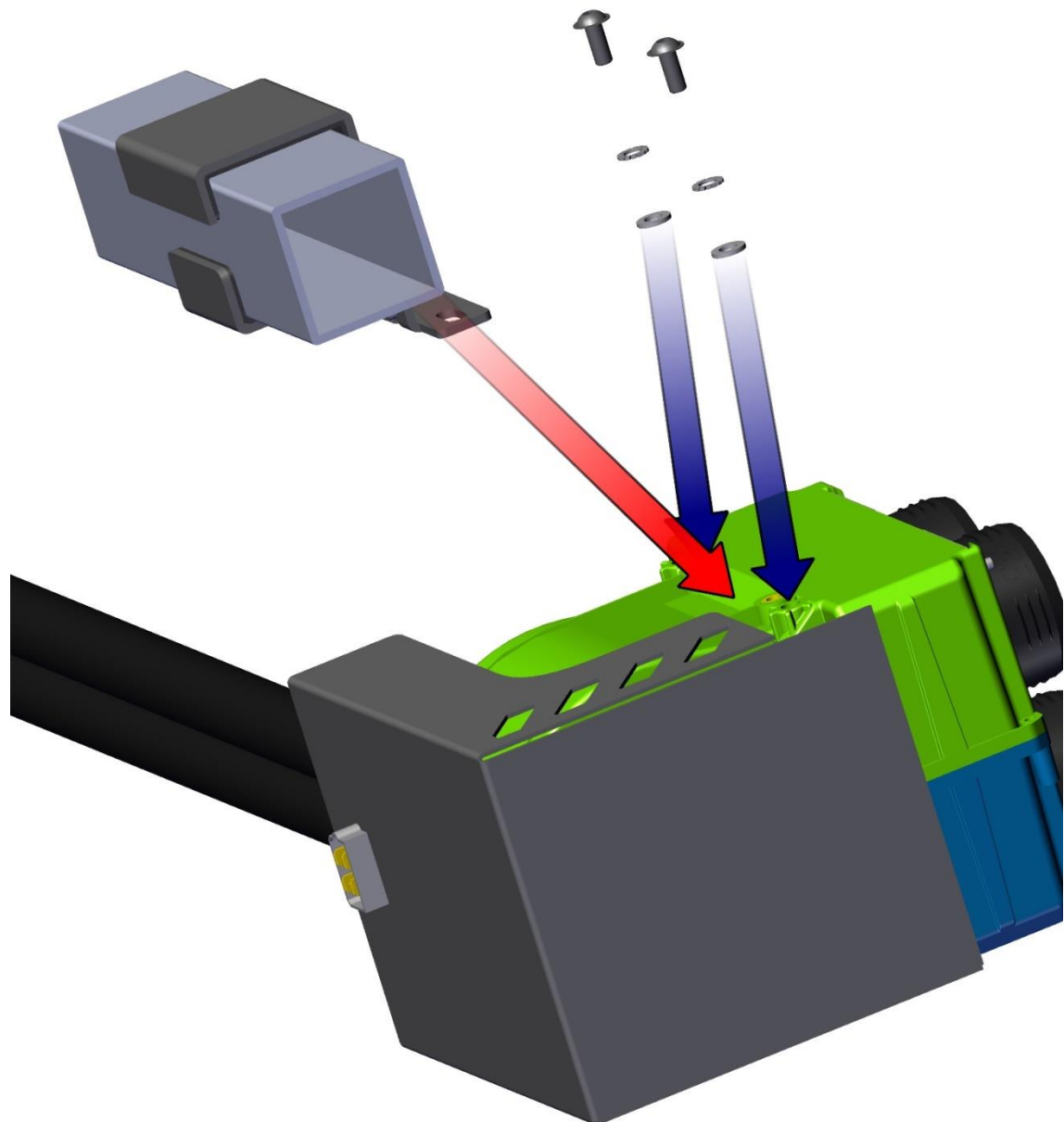
11

Place the heater holders onto the vehicle frame. Fix the heater holders to the frame by included screws and washers.



12

Place the heater assembly onto the heater holder and fix the heater with the holder by included screws and washers.



13

Cut 2 holes \varnothing 77mm onto the dashboard (red marks). Run 2 air hoses to the drilled holes. Push the air hoses through the holes. Install the large air vents onto the air hoses by included tightening straps. Press the air vent into the holes.



Cut 2 holes \varnothing 56mm onto the dashboard (green marks). Run 2 air hoses to the drilled holes. Push the air hoses through the holes. Install the small air vents onto the air hoses by included tightening straps. Press the air vent into the holes.

Drill 3 holes \varnothing 20mm (red mark) and run the heater switch harnesses through the holes.

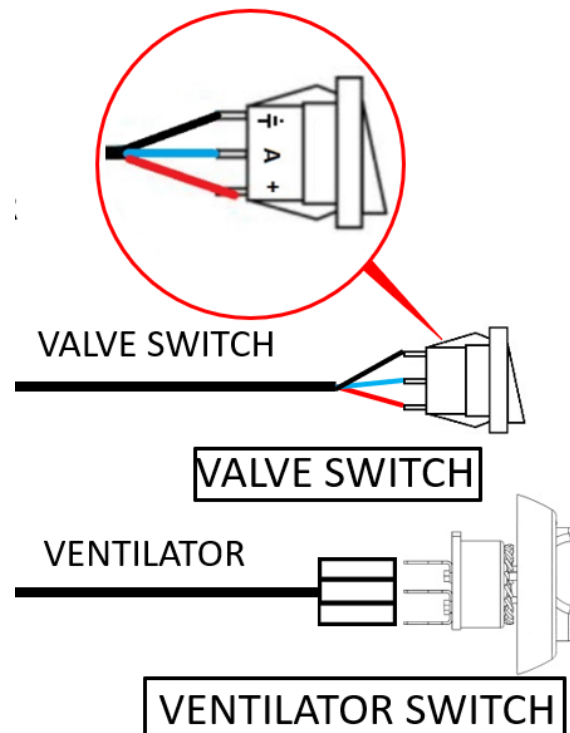


Connect the heater harness with the switches SEE NEXT PAGE and install the switch holder (red mark) onto the dashboard.

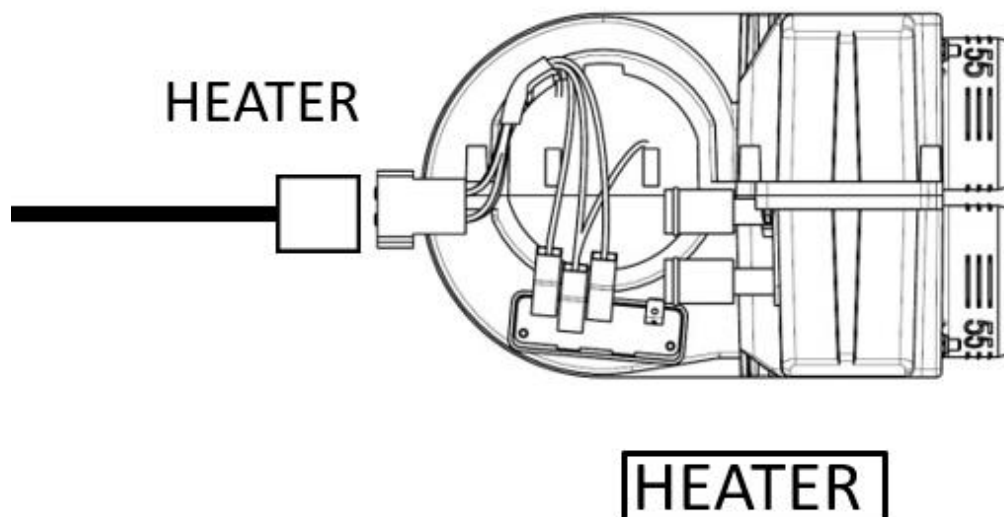


15

Detail schema of connection.



Run the heater harness to the heater body. Connect the heater harness with the heater connector (detail schema of connection).



Run the heater harness supply to the dashboard inner space.
Connect the heater harness with the supply harness.



Run the heater water hoses to the front cooler space. Connect the heater hose with the el. valve by included tightenig strap.



SEE NEXT PAGE

View of connection.

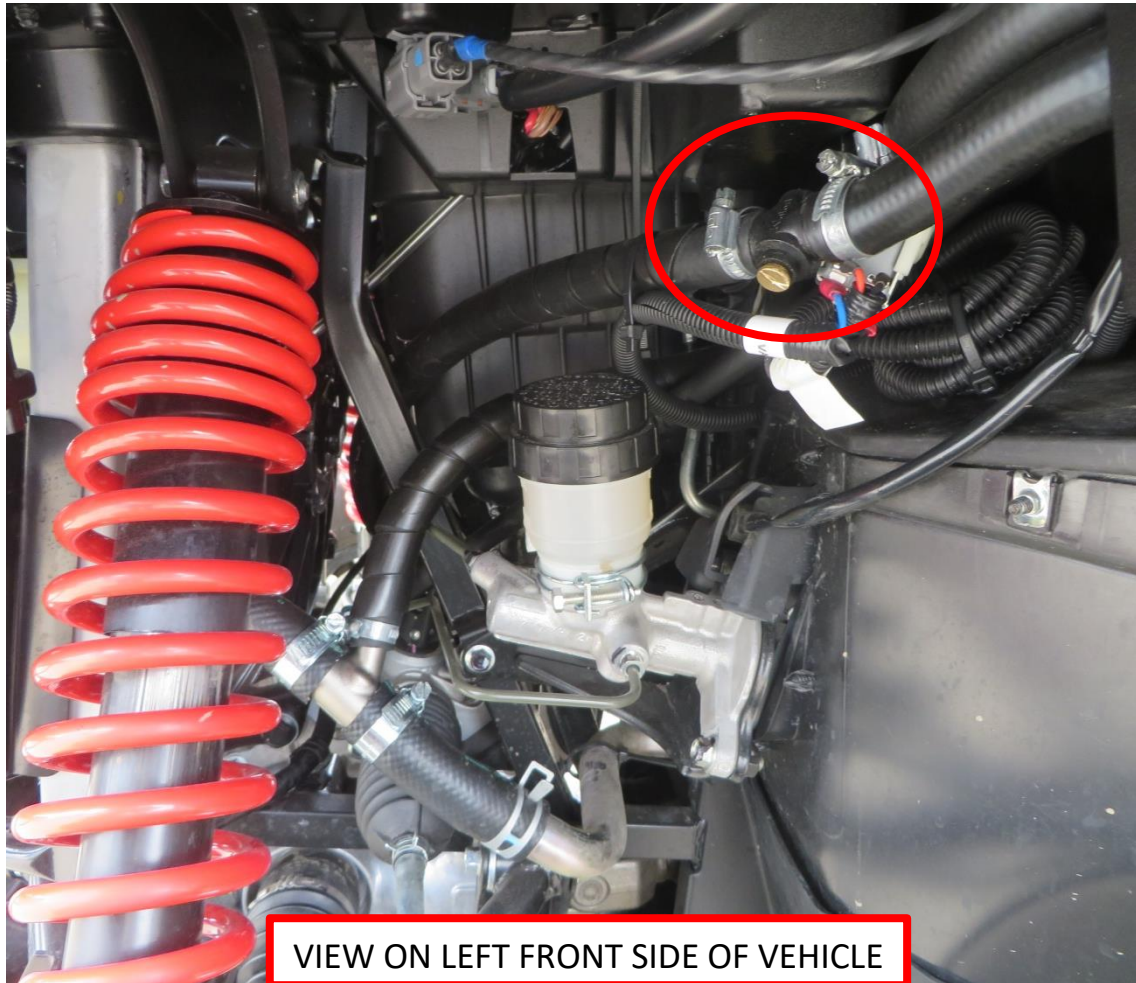


Connect the heater hose with the air bleeding valve by included tightenig strap.



SEE NEXT PAGE

View of connection.



CAUTION

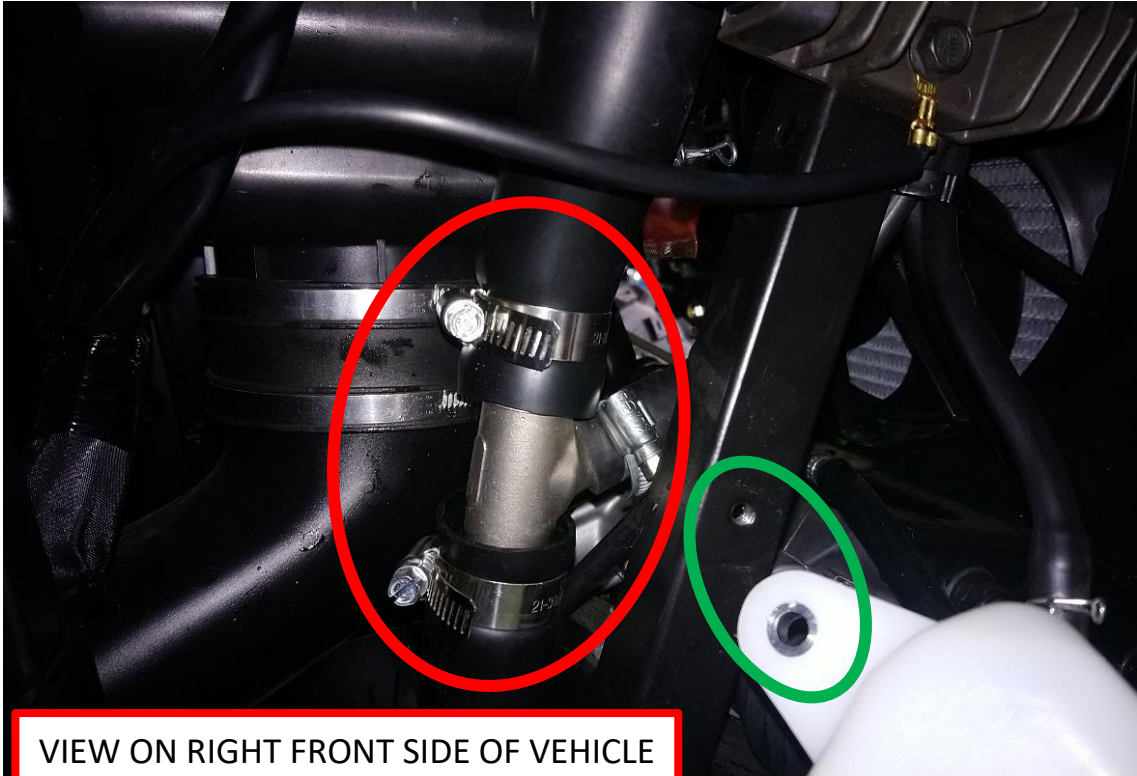
DO NOT MANIPULATE WITH ENGINE OR WITH ENGINE COOLING SYSTEM IF THAT PARTS OF MACHINE IS HOT! WHEN ENGINE IS HOT, ANY MANIPULATION CAN CAUSE SERIOUS BODY INJURY!

Secure original cooling system hose, near the cooler, by clamps (or pliers). Cut the original hose and insert tightening straps onto the hose. Insert "Y" tube (on the heater hose with el. valve) into the original hose and tighten the straps. Loose the clamps.



20

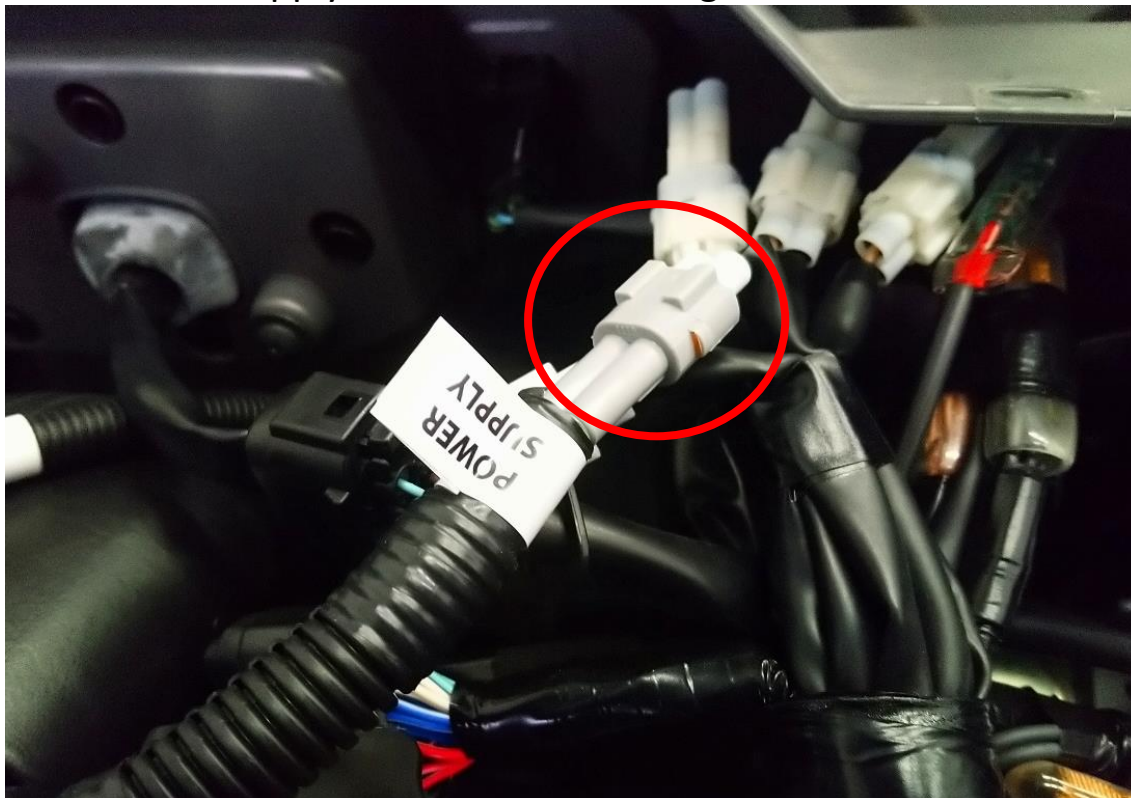
Unmount the washer tank for better manipulation.



Connect the pump harness with the pump. Connect the pump harness with the el. valve.



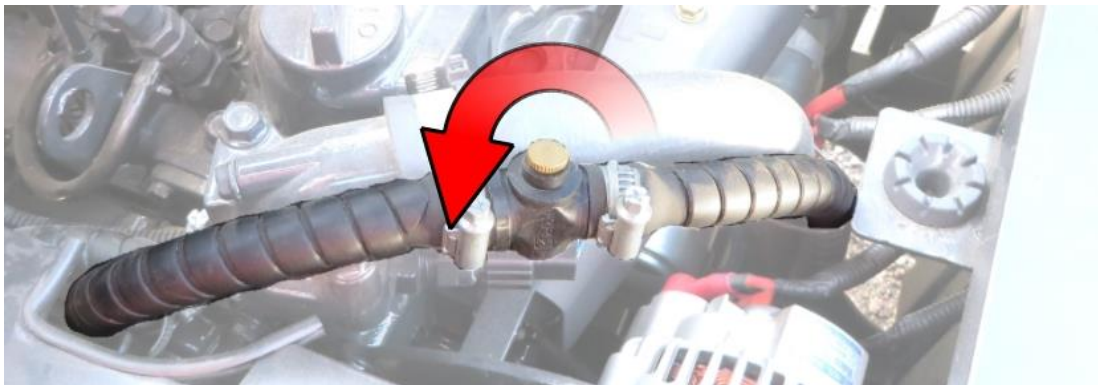
Connect the supply harness with the original ACC 12V connector.



22

BLEEDING INSTRUCTIONS

- After installing the heater circuit, open the radiator and coolant reservoir of the vehicle and add coolant to both the coolant reservoir and radiator level is up to the MAX line.
- Install coolant reservoir and radiator caps.
- Activate heater fan, turn on the electromagnetic valve and put the heating level to maximum.
- Run engine at idle with coolant reservoir cap ON until the cooling fan cycles two times.
- If a DFK bleeding valve is included in the heater assembly, open it at nominal RPM until a continuous stream of fluid flows out of it.



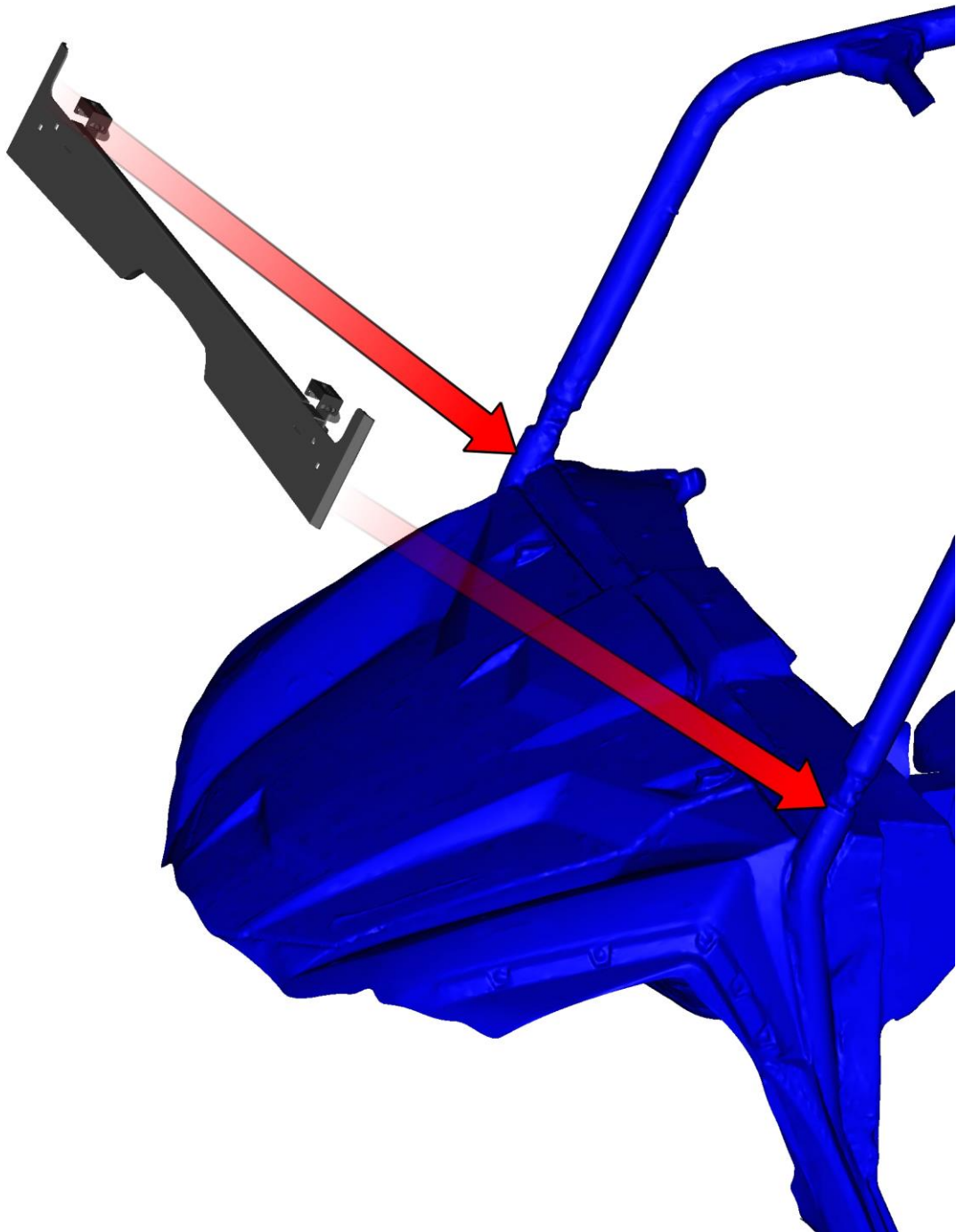
- Bleed even after the engine has warmed up to operating engine temperature and repeat several times until full flow, without air bubbles, escapes from the bleed plug holes.
- Check for heat coming out of the heater unit.
- Turn the ignition switch off and allow the engine to cool down.
- After the engine cools down check the coolant level in the radiator reserve tank.
- Close all coolant containers and bleeding valve before driving.
- After the test drive, check the coolant level in the radiator reserve tank and add coolant as necessary.
- Check for leaks in the entire heating circuit. Leaks can cause additional aeration.

INSTALLATION PREPARATION

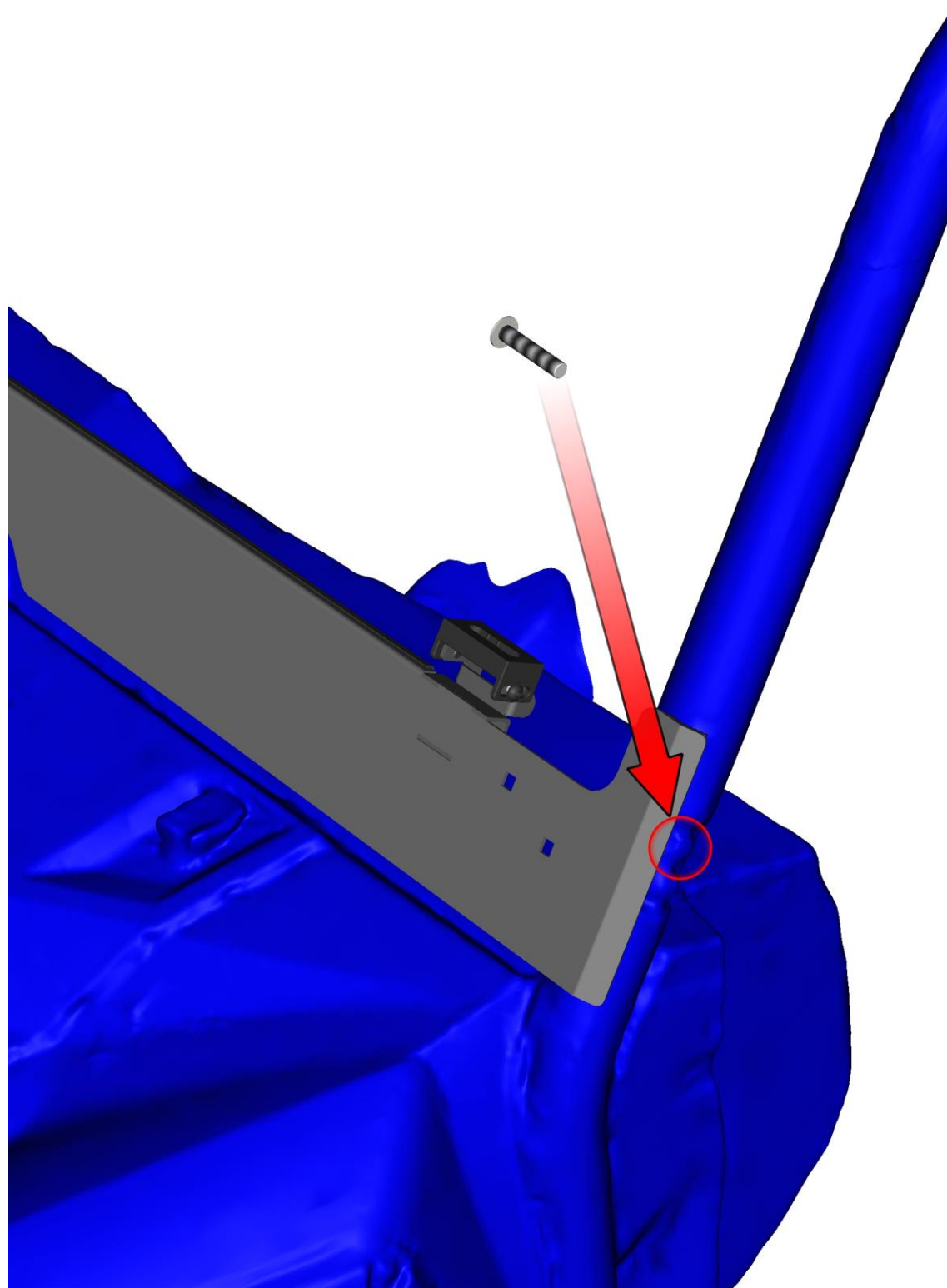
Uninstall original roof from vehicle frame.

FRONT PANEL

Place the front bottom ledge onto the front dashboard.

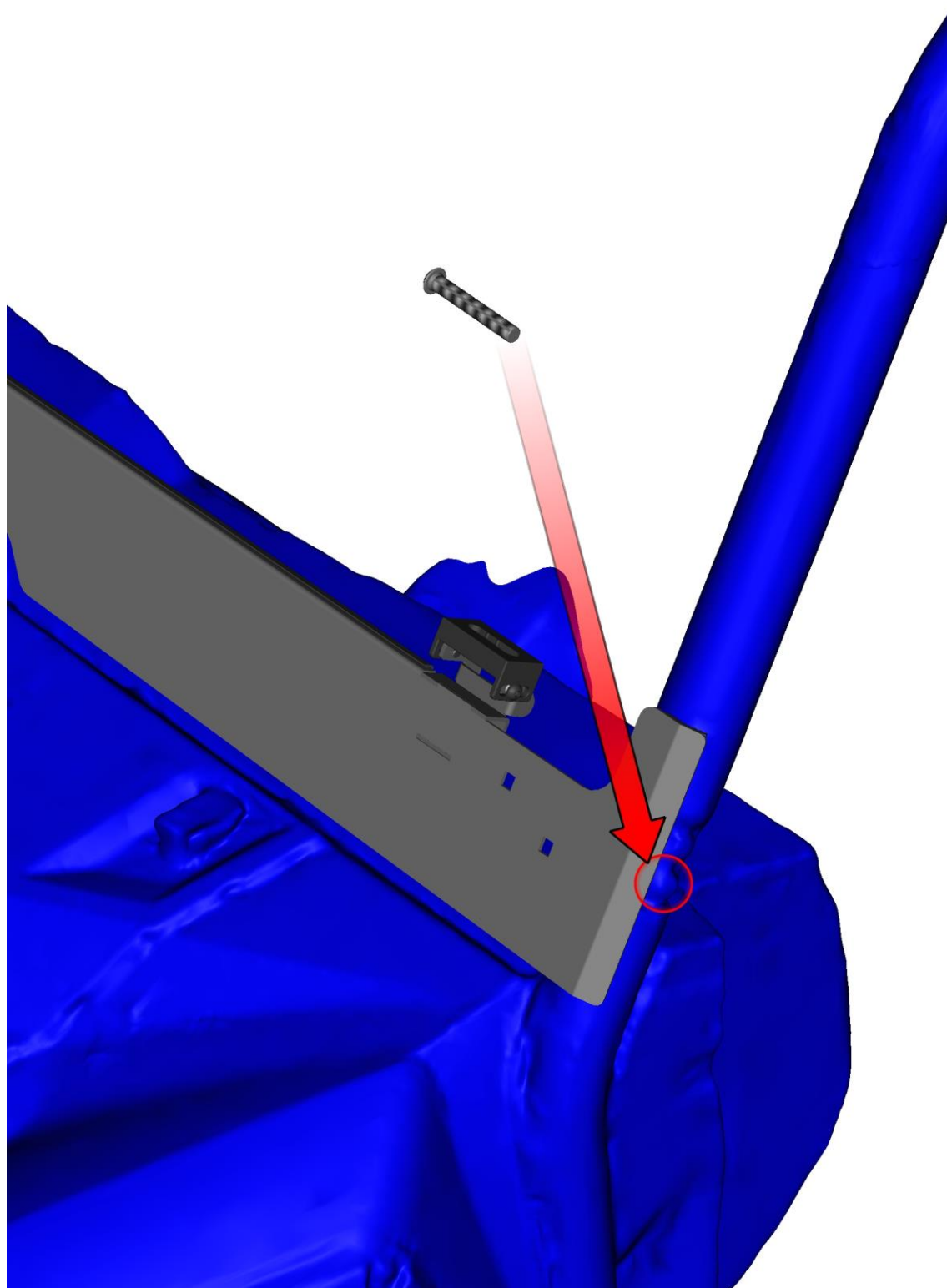


Loose front upper original screw on the left side. Insert included screw from the inner side.



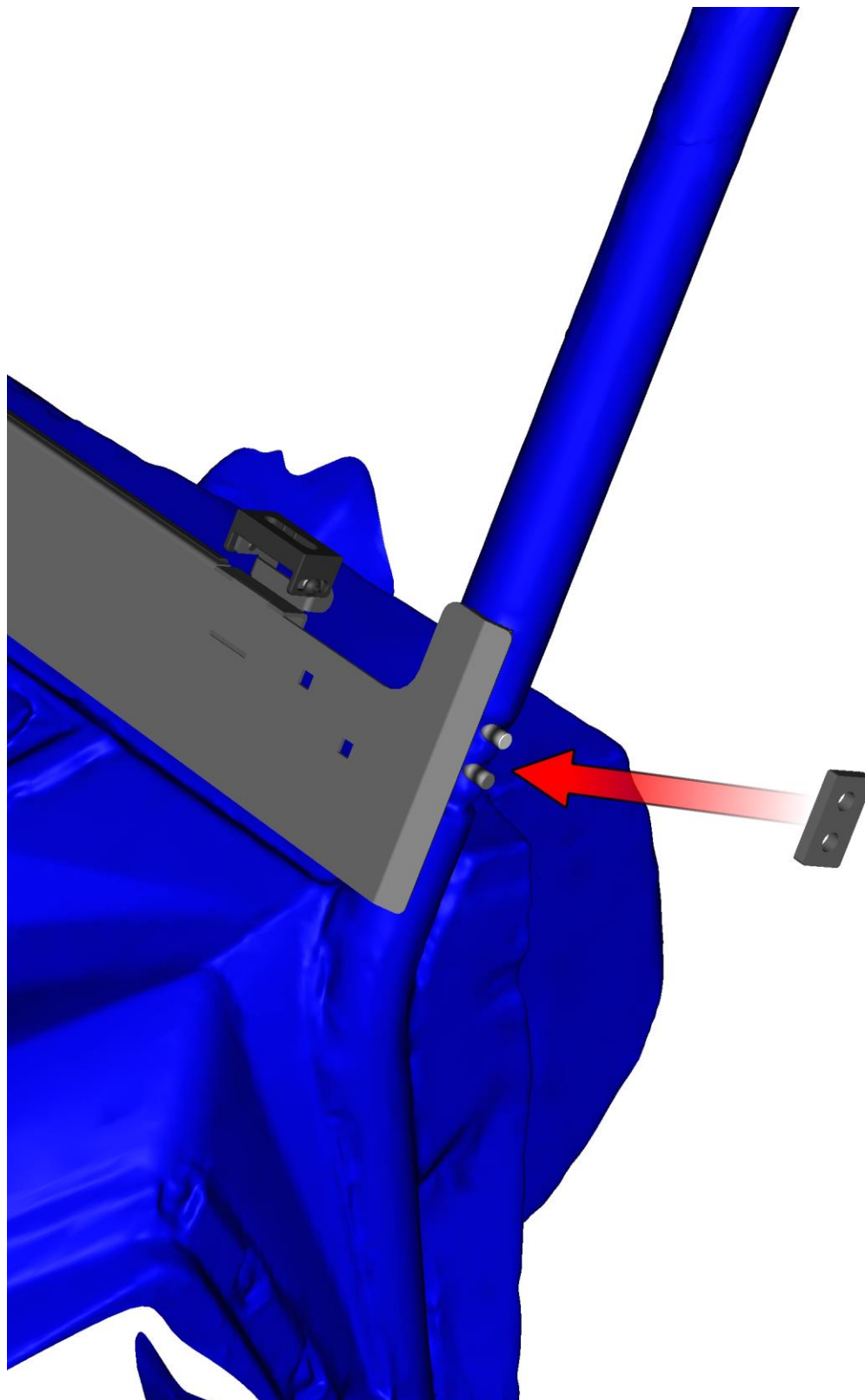
25

Loose front bottom original screw on the left side. Insert included screw from the inner side.



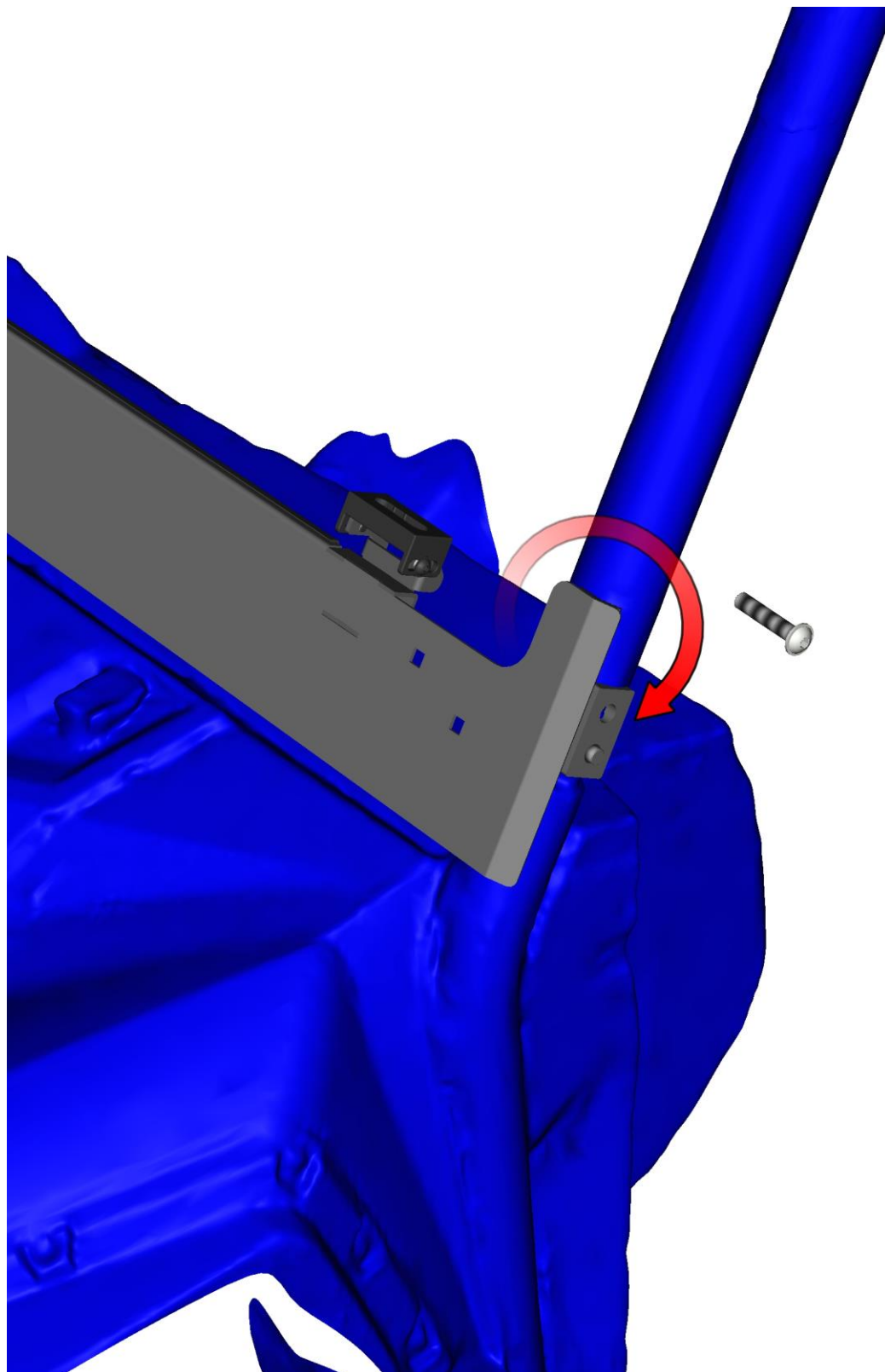
26

Place the washer onto the frame.



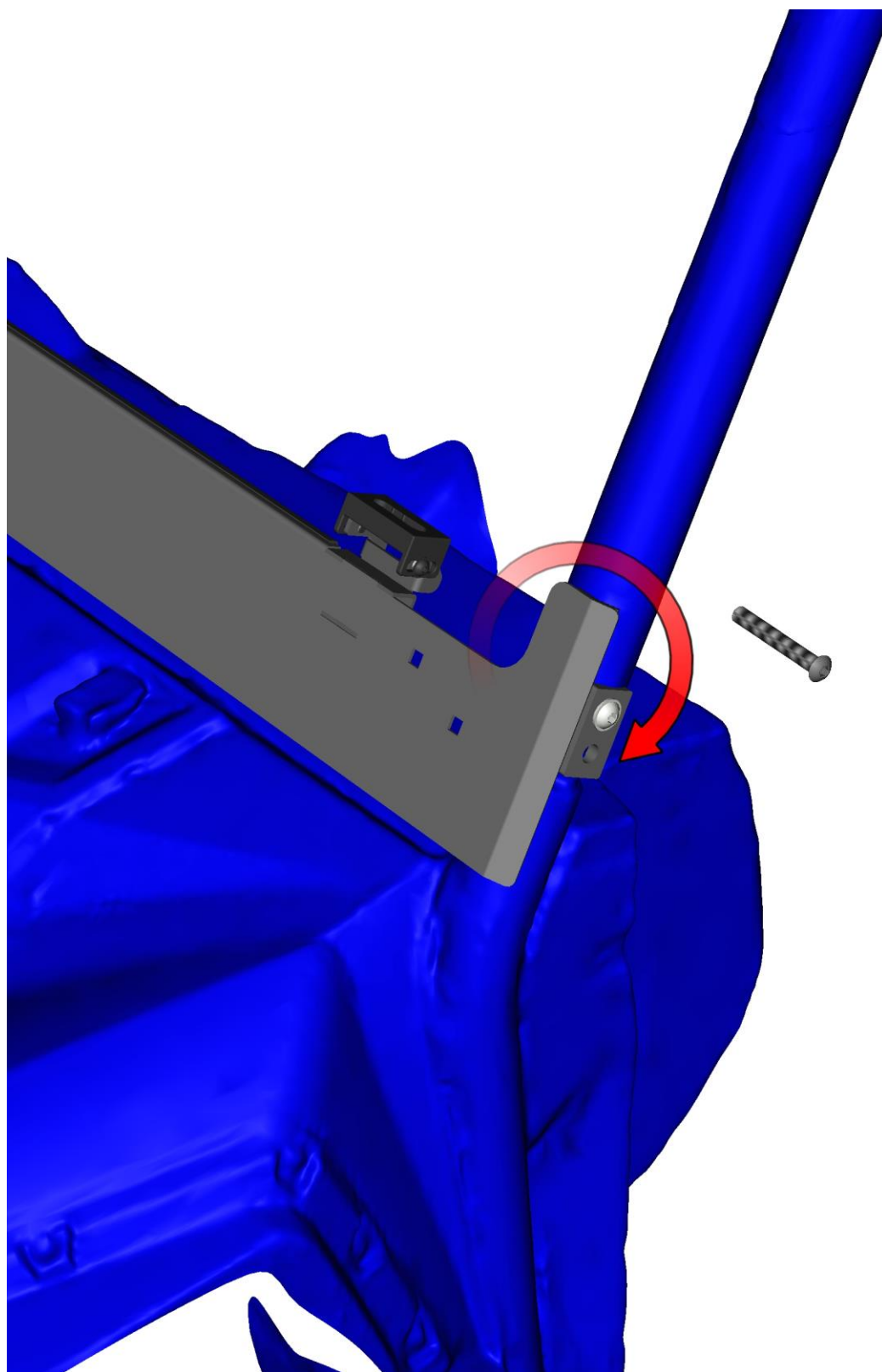
27

Take out the upper screw and reinsert it from outer side.



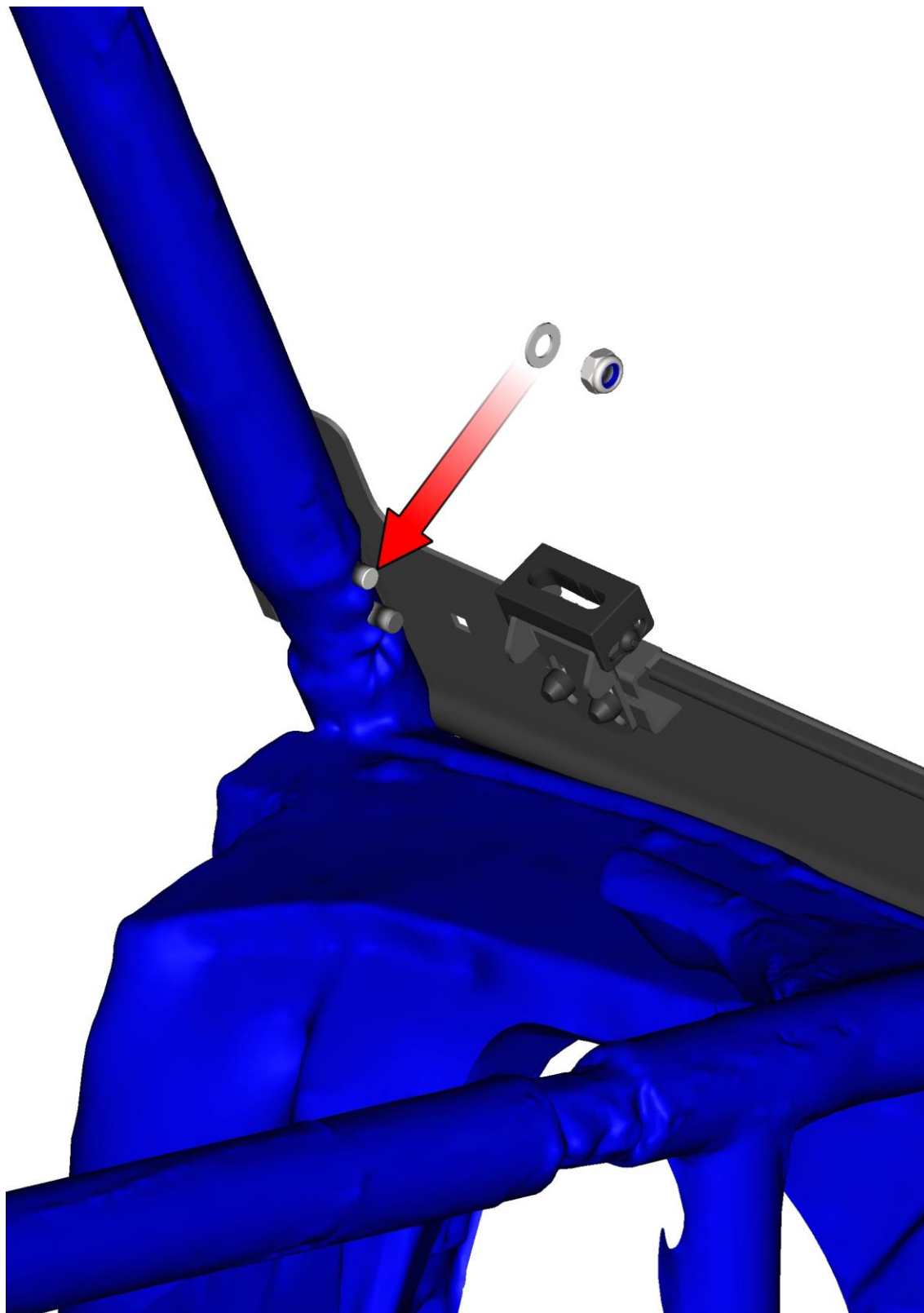
28

Take out the bottom screw and reinsert it with washer from outer side.



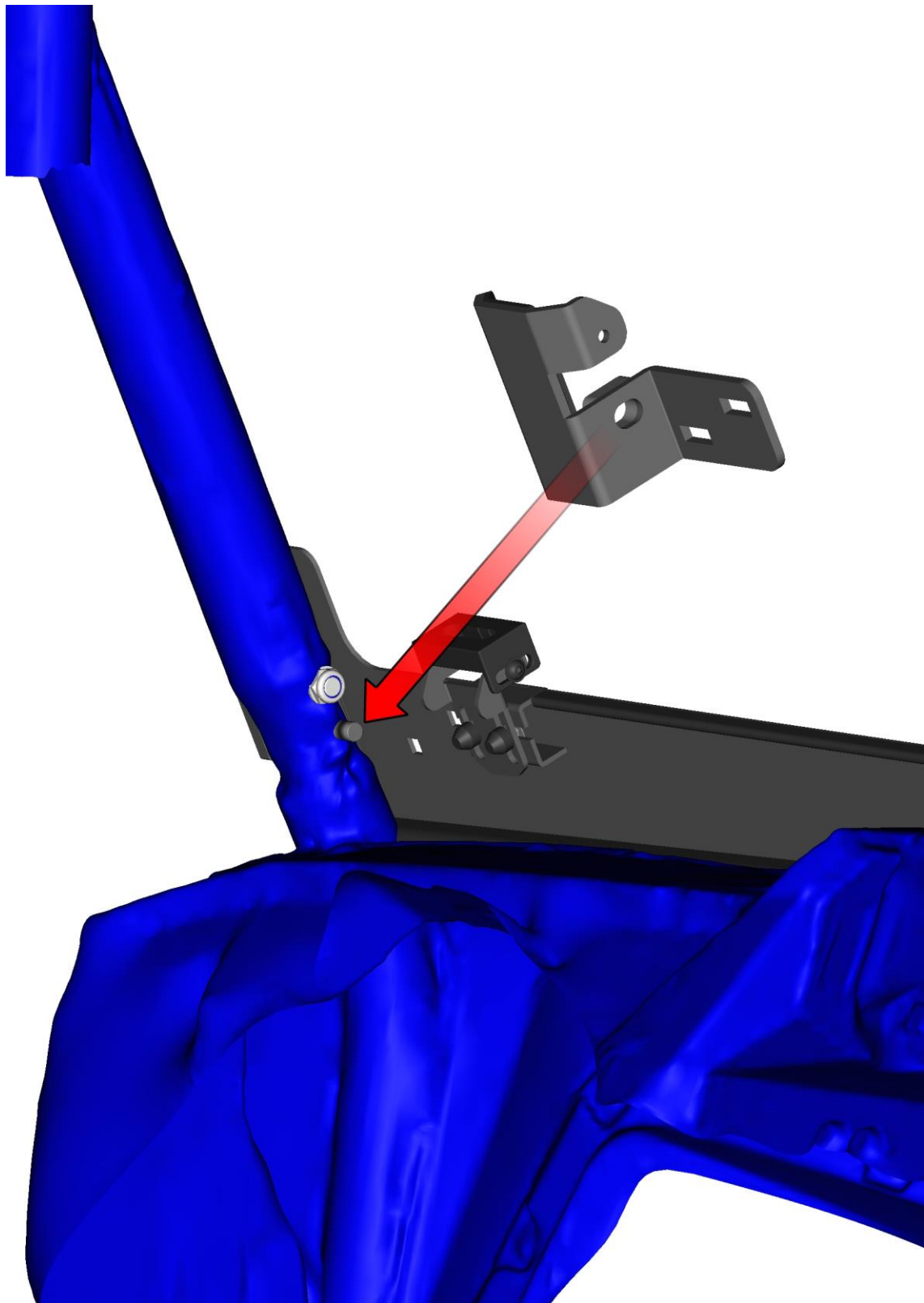
29

Install the washer and nut onto the upper screw.



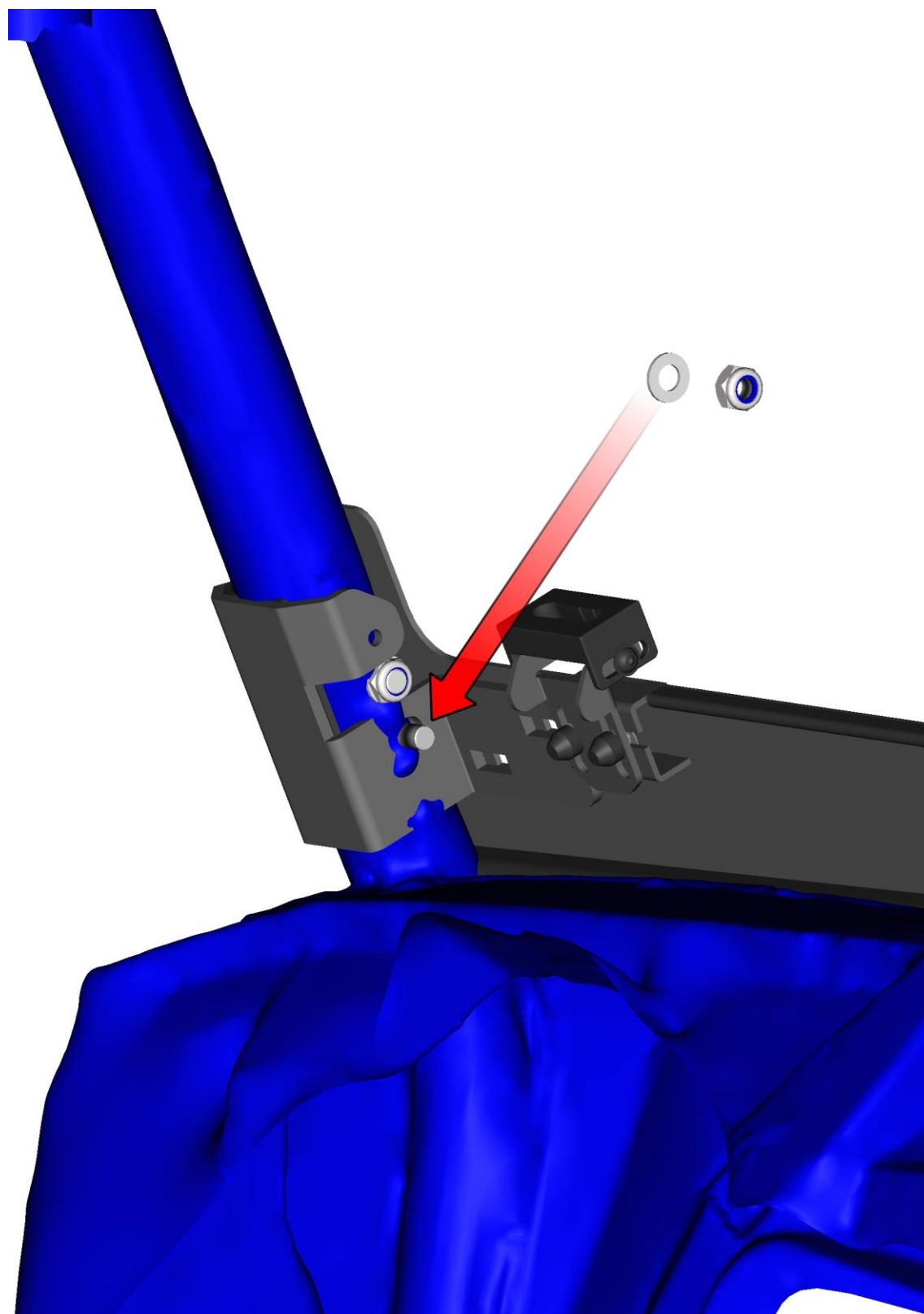
30

Place the left front holder onto the frame and onto the ledge.



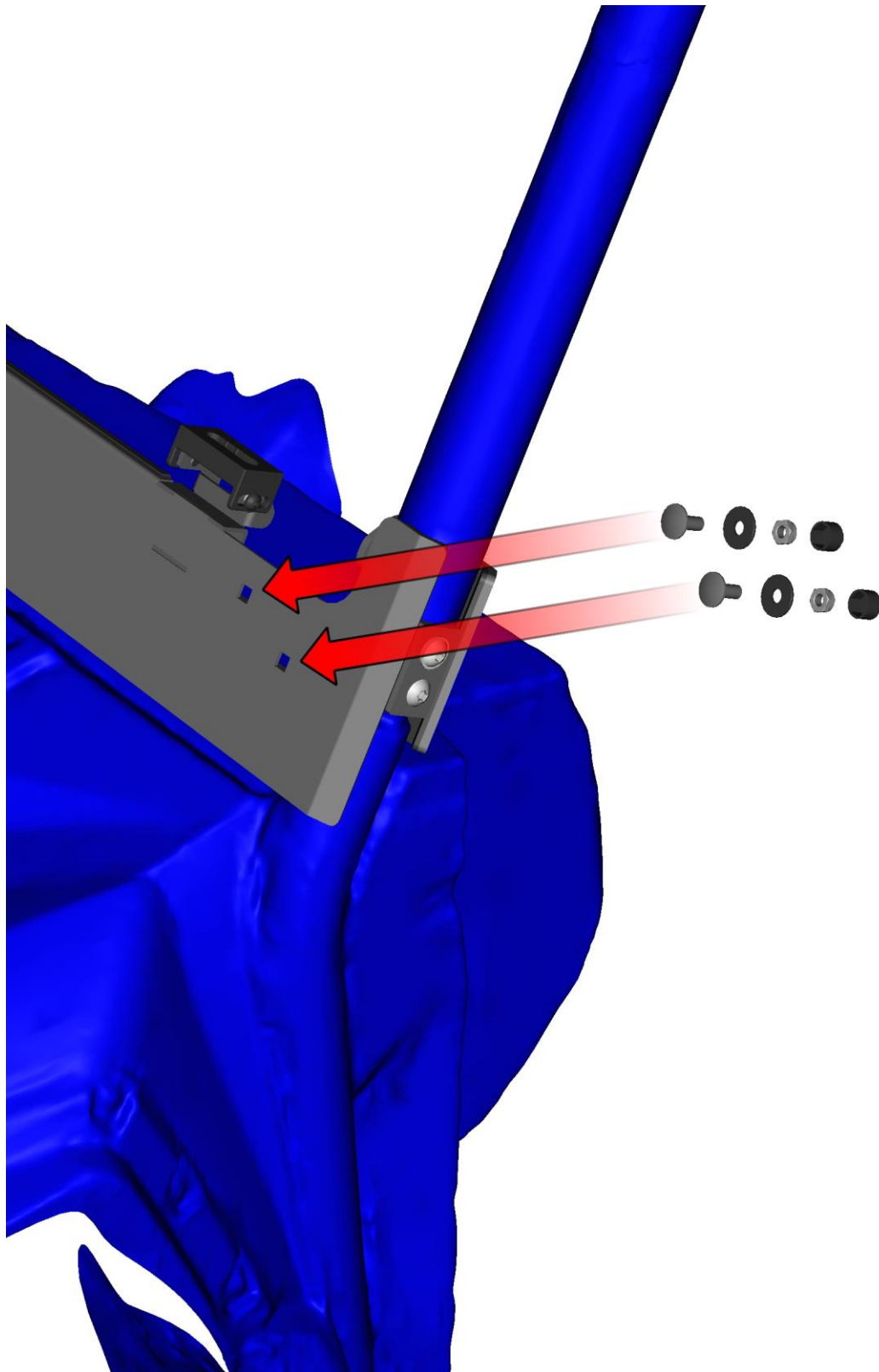
31

Fix the holder with the frame by bottom screw and included washer and nut.



32

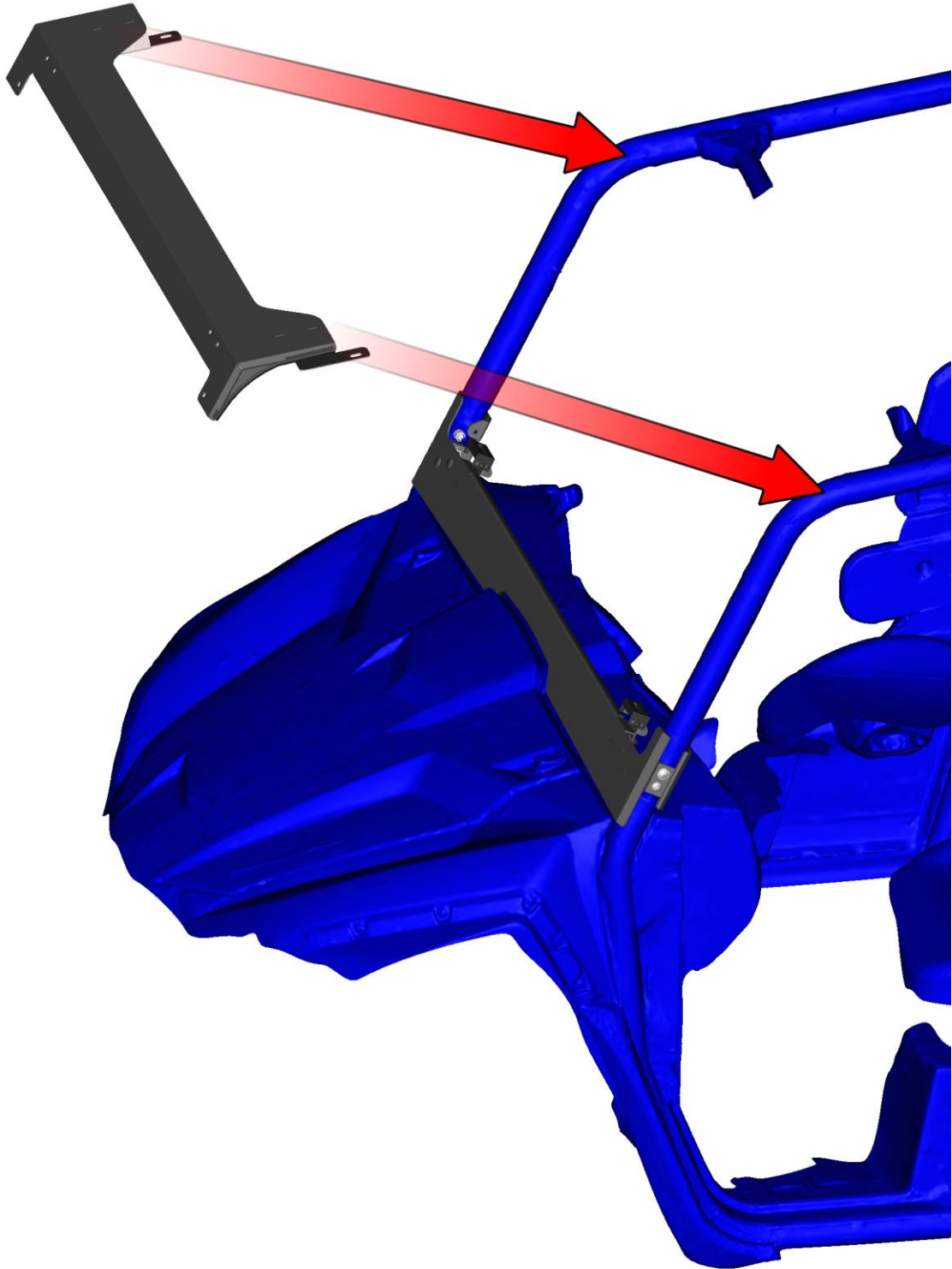
Fix the holder with the ledge by included screws, washers, nuts and covers.



33

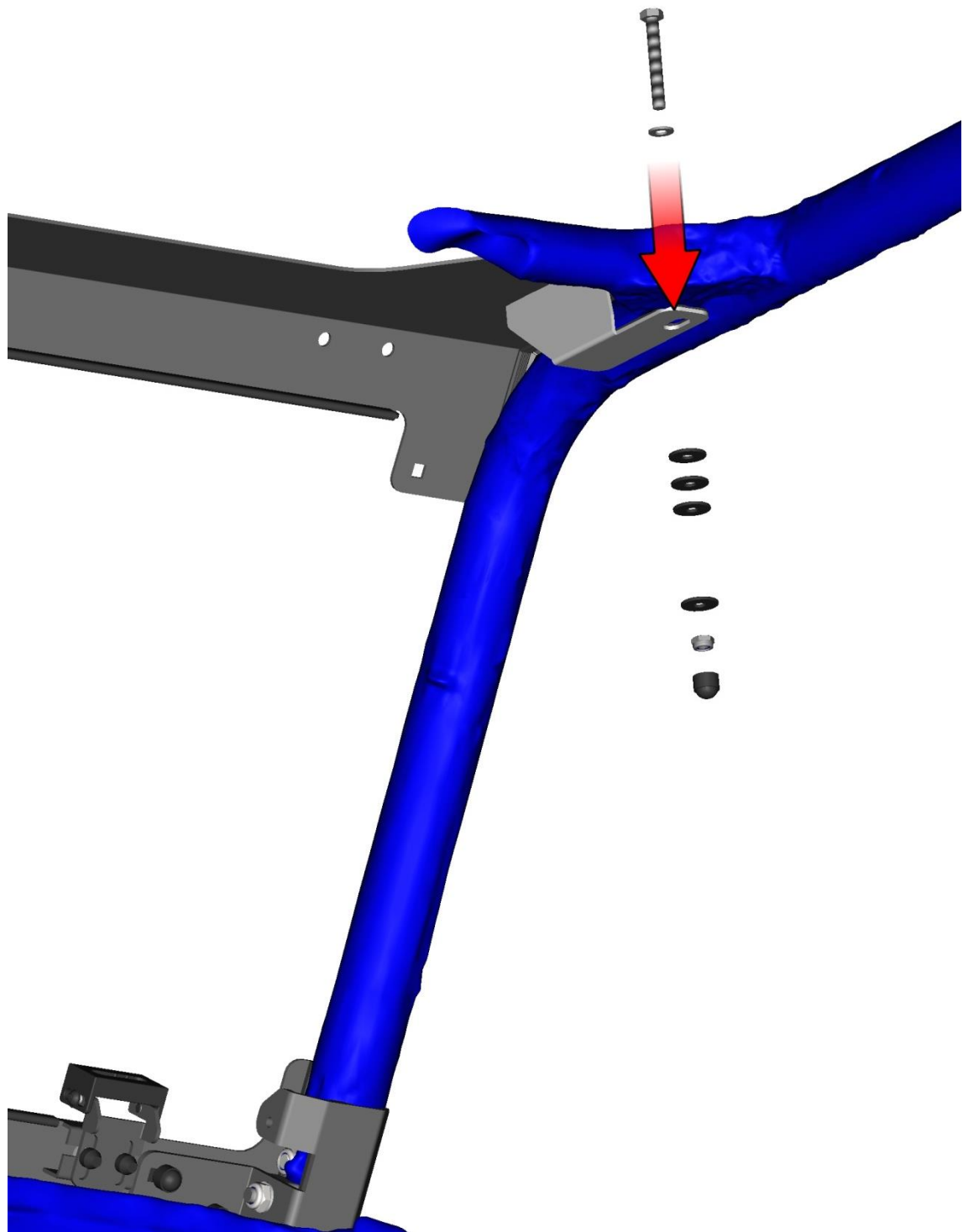
Repeat previous steps on the vehicle right side with right parts.

Place the front upper ledge onto the vehicle frame.



34

Mount the upper ledge into the original front hole in vehicle frame by included screw, washers, nut and cover. See next page.

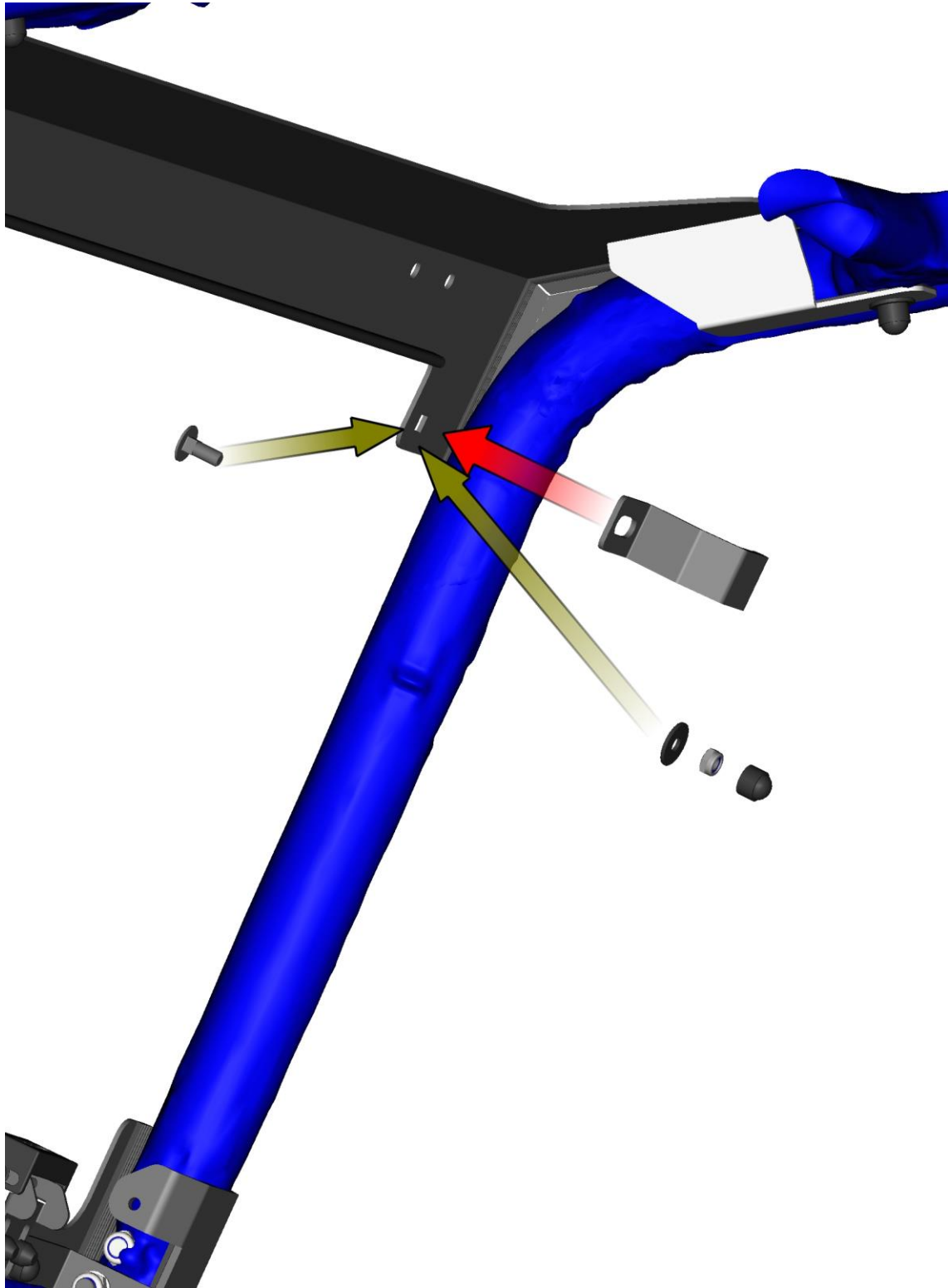


35

In case of colision with the screw (green marks) loose this screw and remount it with three included washers.

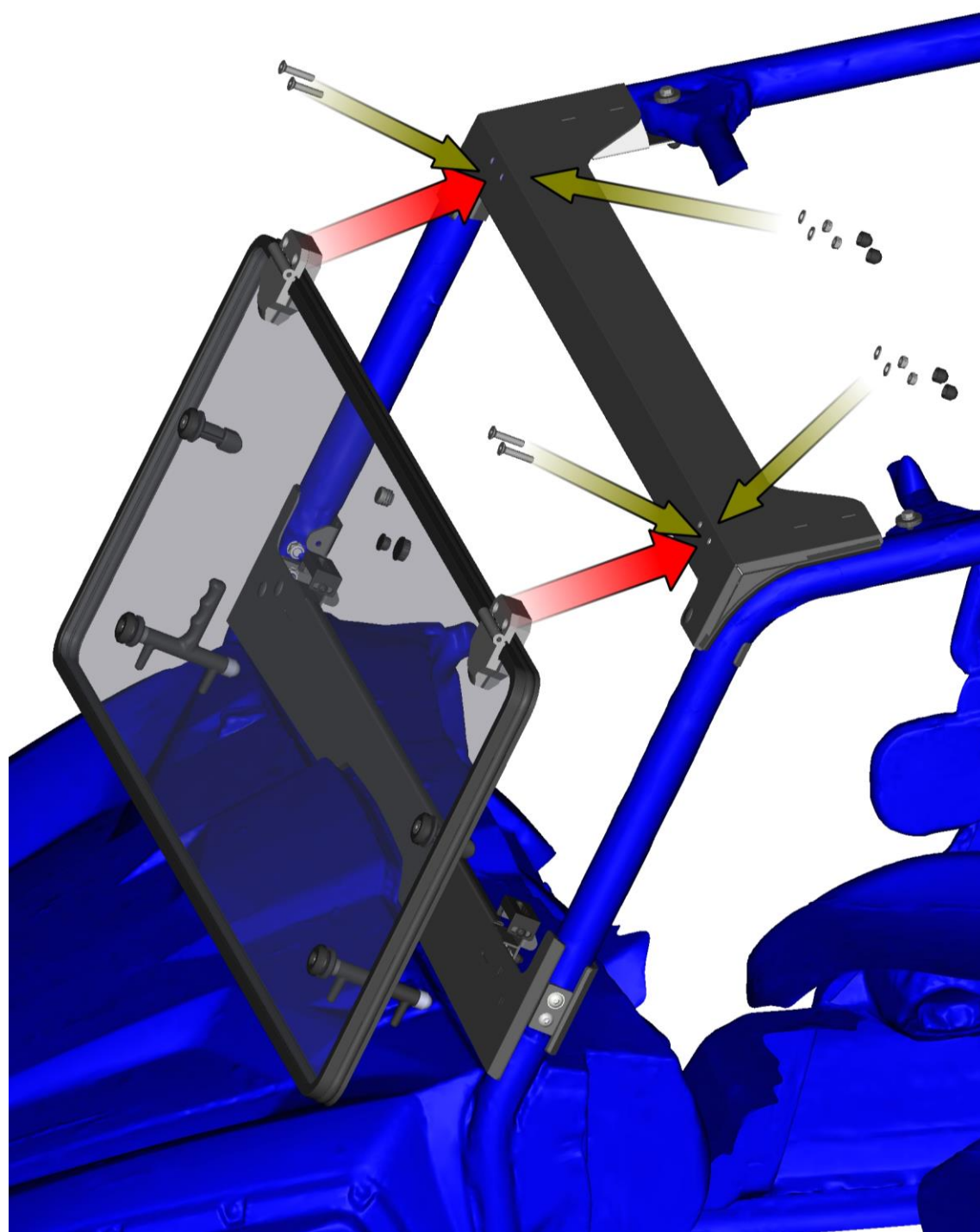


Place the front upper holder onto the ledge and onto the frame. Fix the ledge with the holder to the frame by included screw, washer, nut and cover.



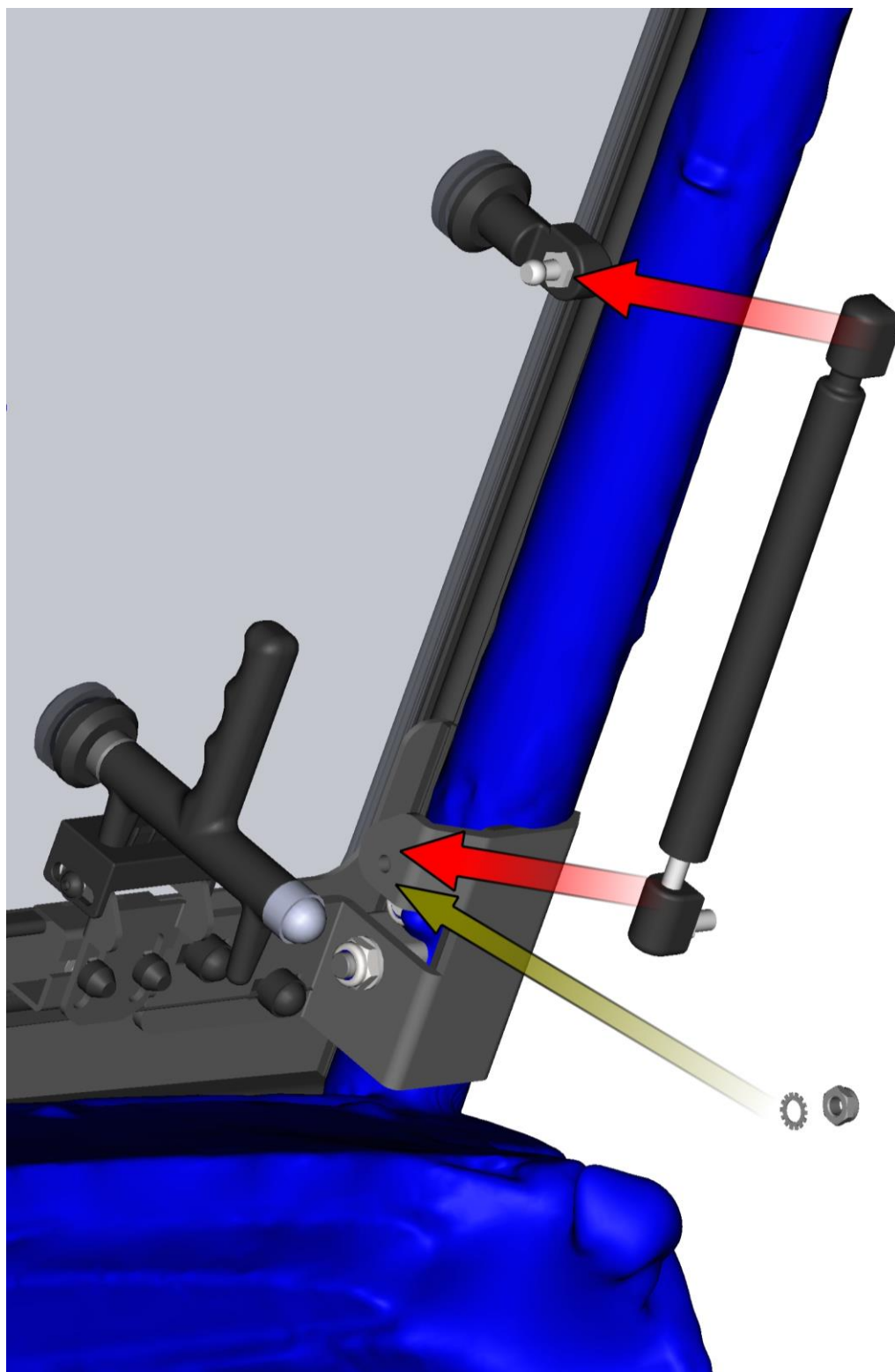
Repeat previous steps on the other vehicle side.

Place the front window onto the front ledges. Adjust the window to the best position and tighten all hinges screws and nuts correctly.



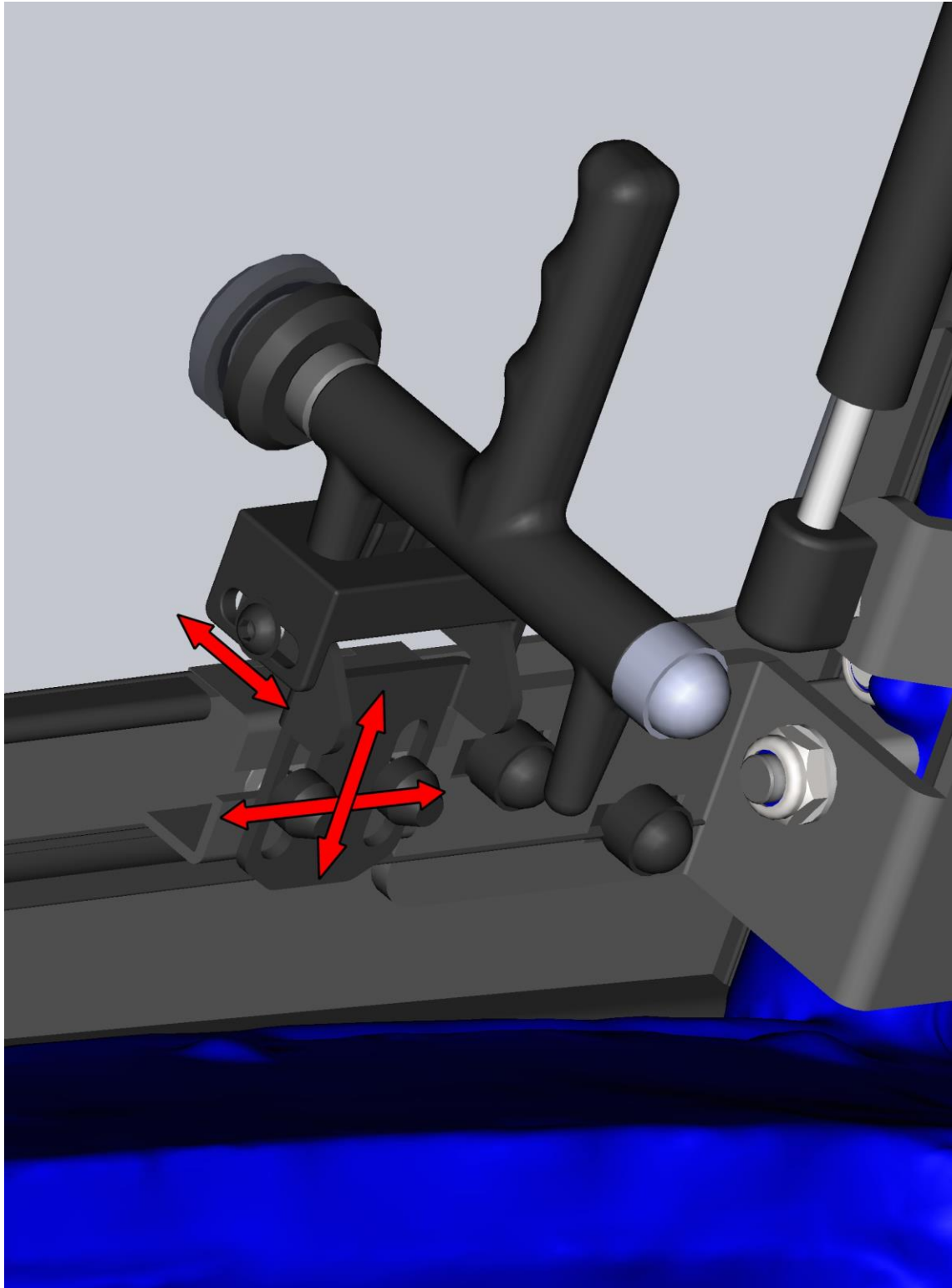
38

Install front gas spring onto the holders on both sides of the vehicle. Gas springs have to be mounted on same position like on the picture.



39

Adjust the window stop assemblies to the best position on both sides. You may have to adjust the upper ledge again to get the best position.



40

ELECTROINSTALLATION 2.

View onto the wiper motor with the cover and with the middle ledge.



Place the washer onto the wiper longer pin.



41

Place the washer onto shorter wiper pin.



View onto installed washers.



Place the wiper assembly onto the front glass from inner side.
Insert these washers onto the wiper pins and onto the glass from outer side.



Fix the wiper motor with the front glass by included nuts and tighten these correctly.



43

Install the wiper arm onto the wiper pin.



Fix the wiper arm with the wiper motor pin by included nut. Insert plastic holder onto the wiper latch pin in correct position



View onto the installed plastic holder.



Insert the wiper arm hook onto the wiper latch plastic holder and press it into the correct position.



45

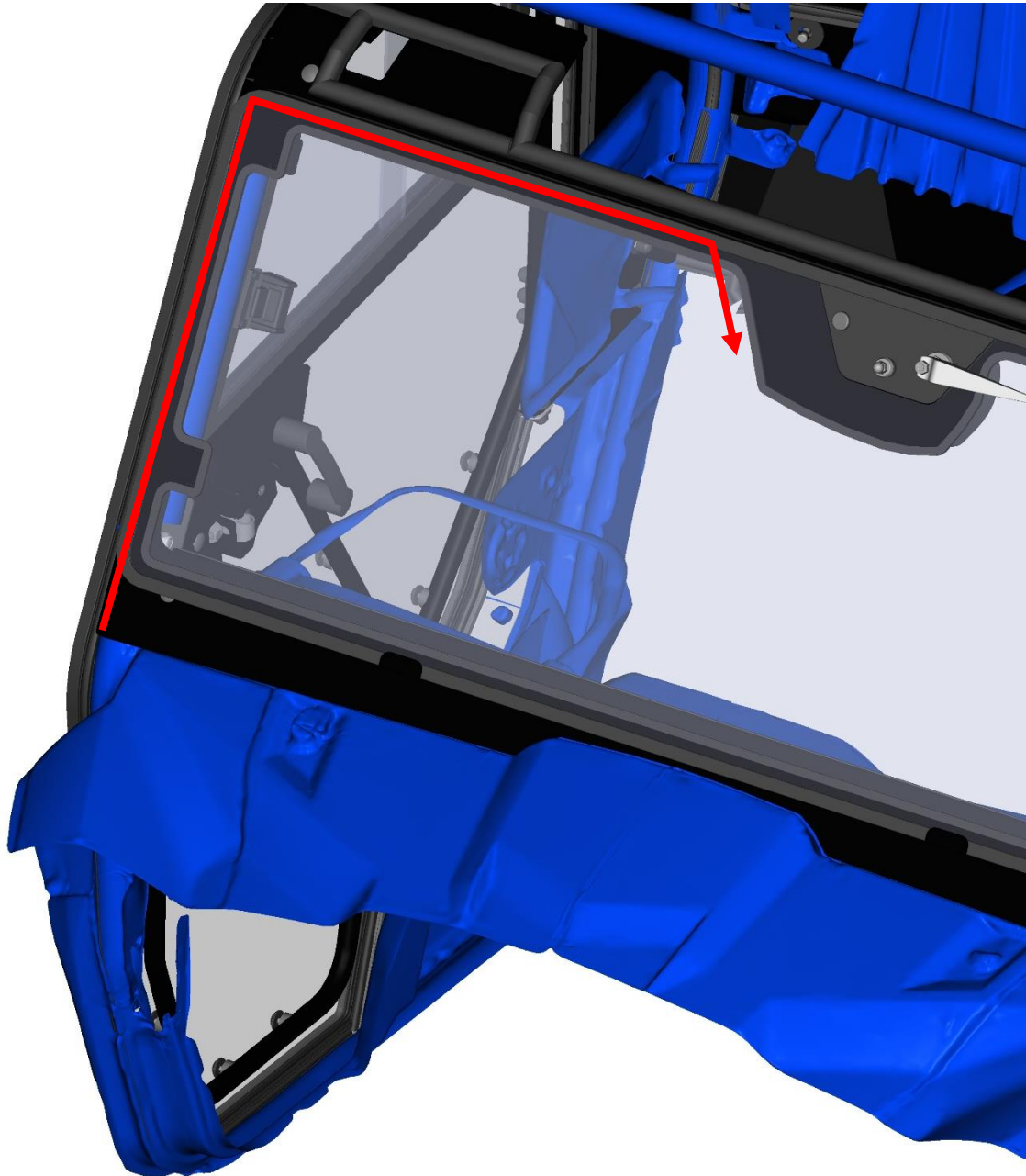
View onto installed wiper arm hook.



SEE NEXT PAGE

46

Run the wiper harness with the washer hose from the right dashboard to the wiper motor.

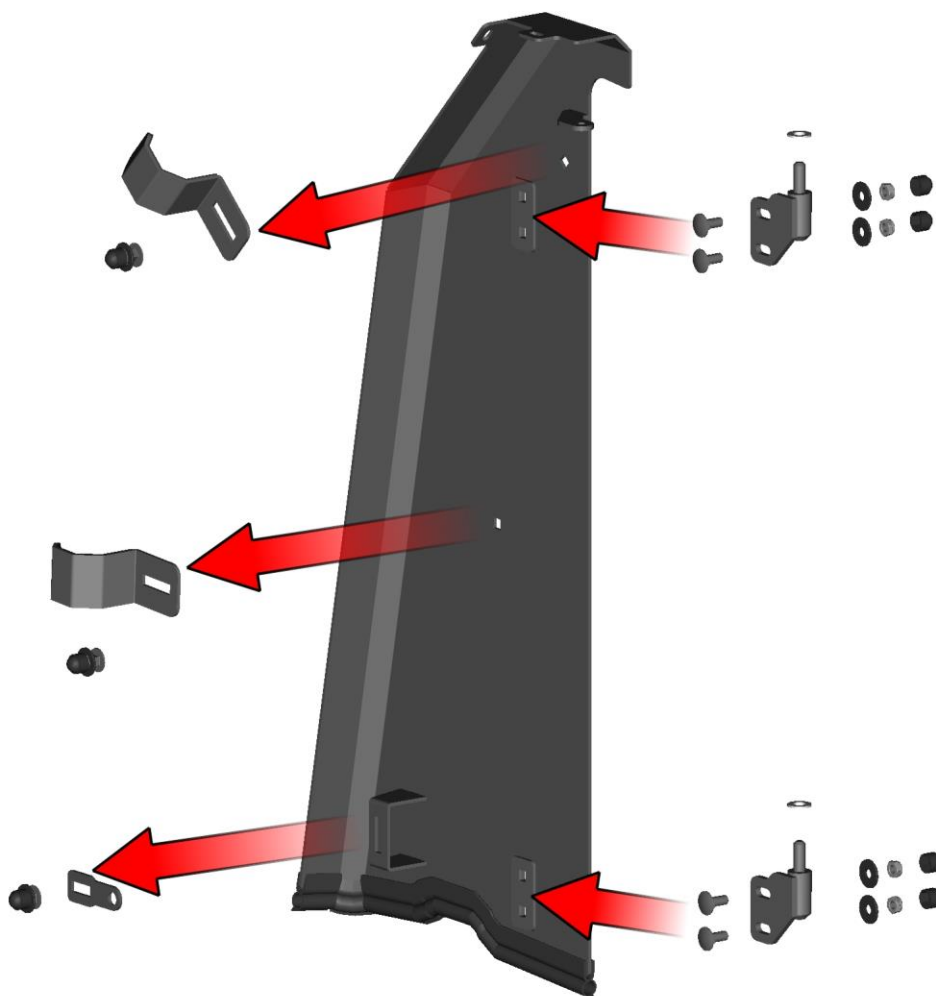


Connect the wiper harness with the wiper motor. Connect the washer hose with the wiper arm.

Fill the washer liquide into the washer tank before first usage.

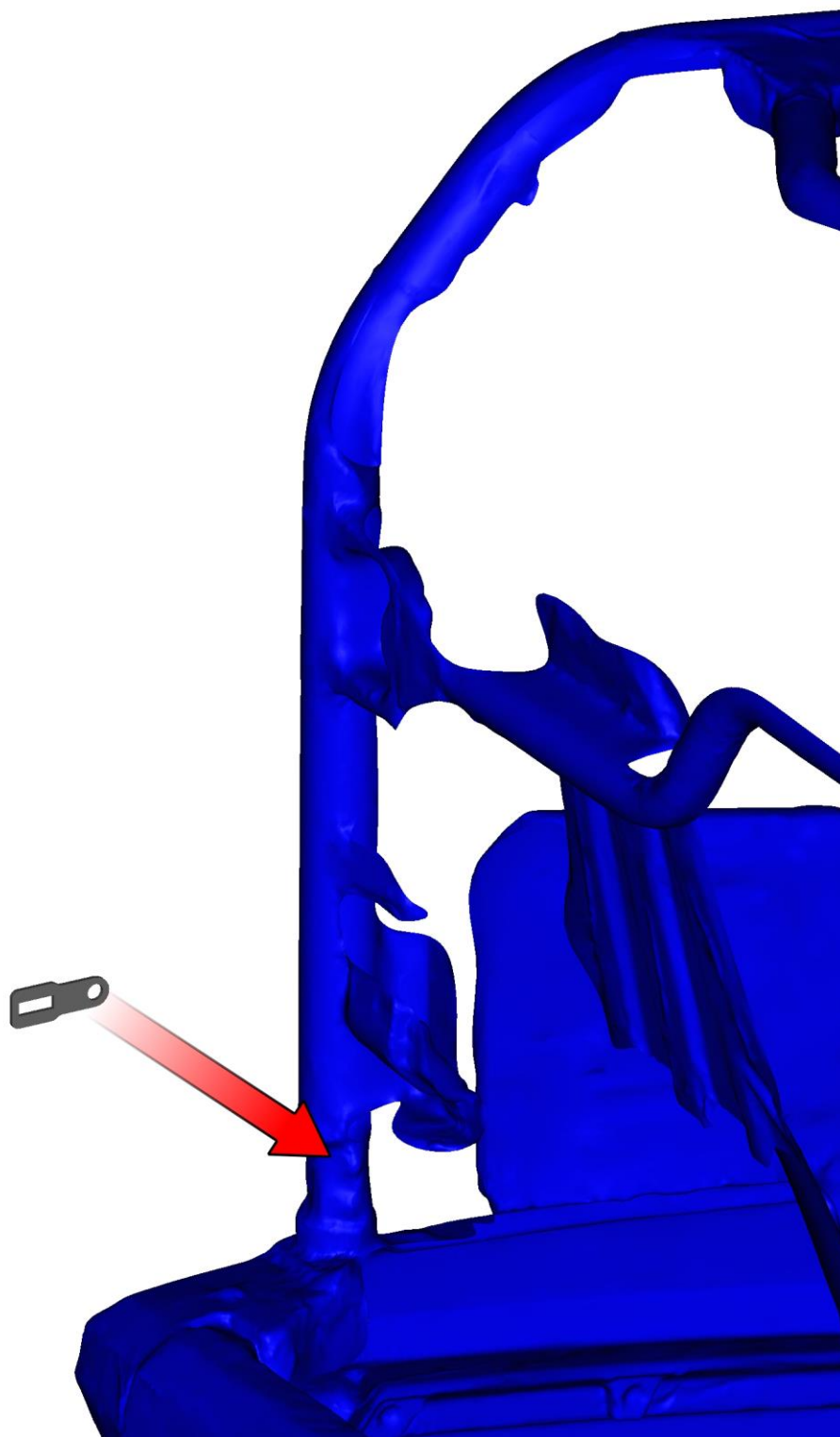
REAR PANEL

Uninstall the holders from the rear door base. Install the hinges onto the rear door base.



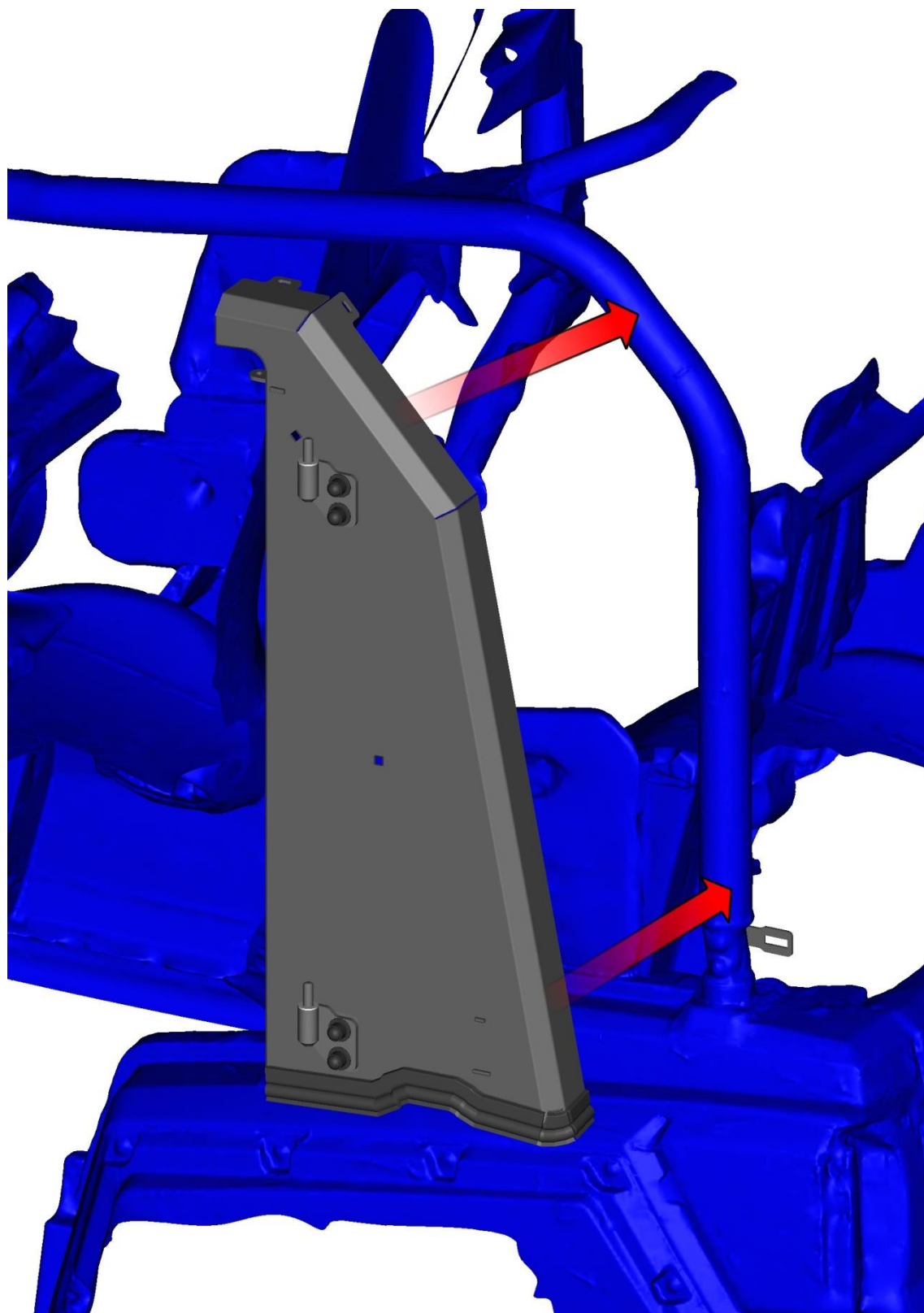
48

Install the bottom holder of the rear door base by the upper original screw.



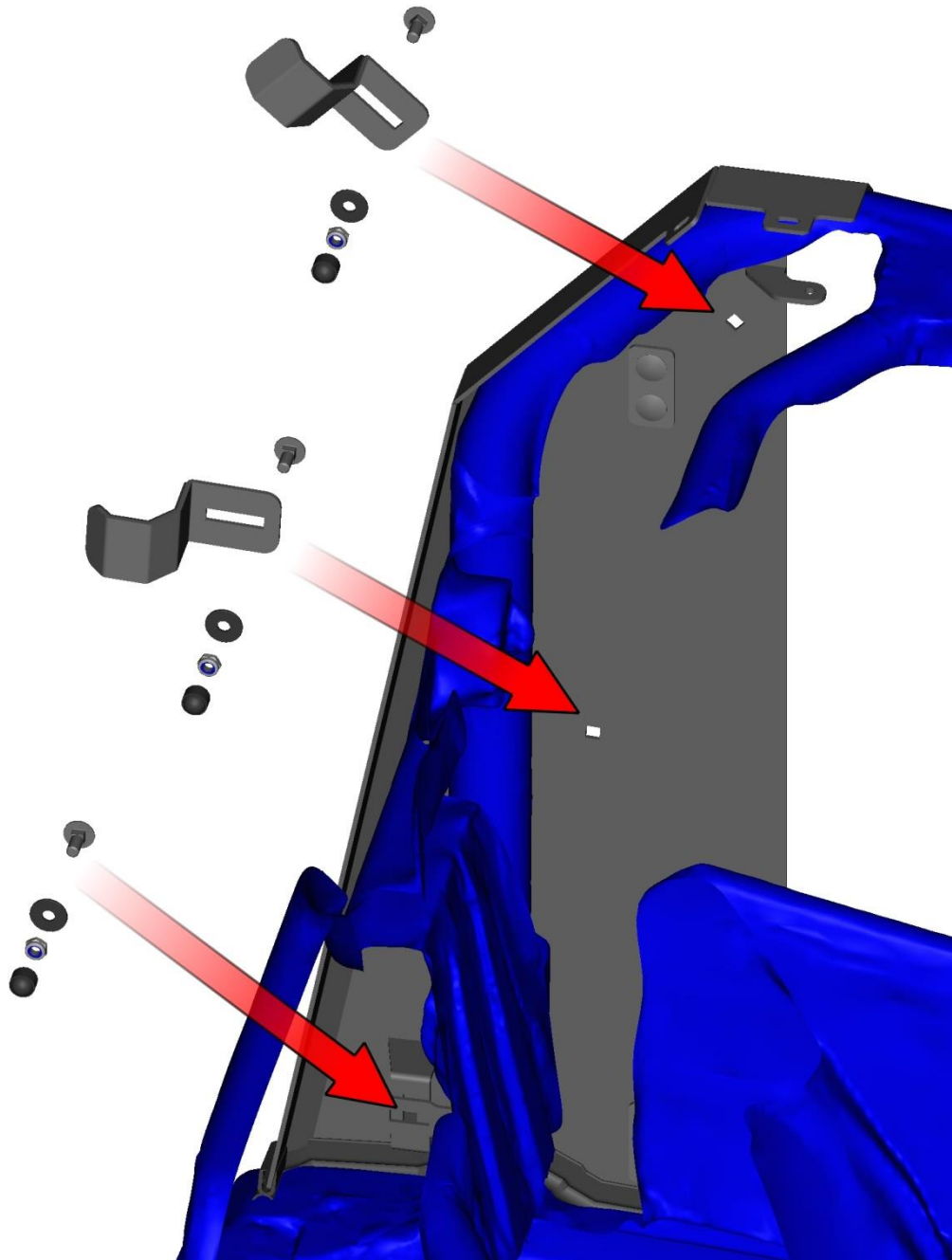
49

Place the rear door base onto the vehicle frame.



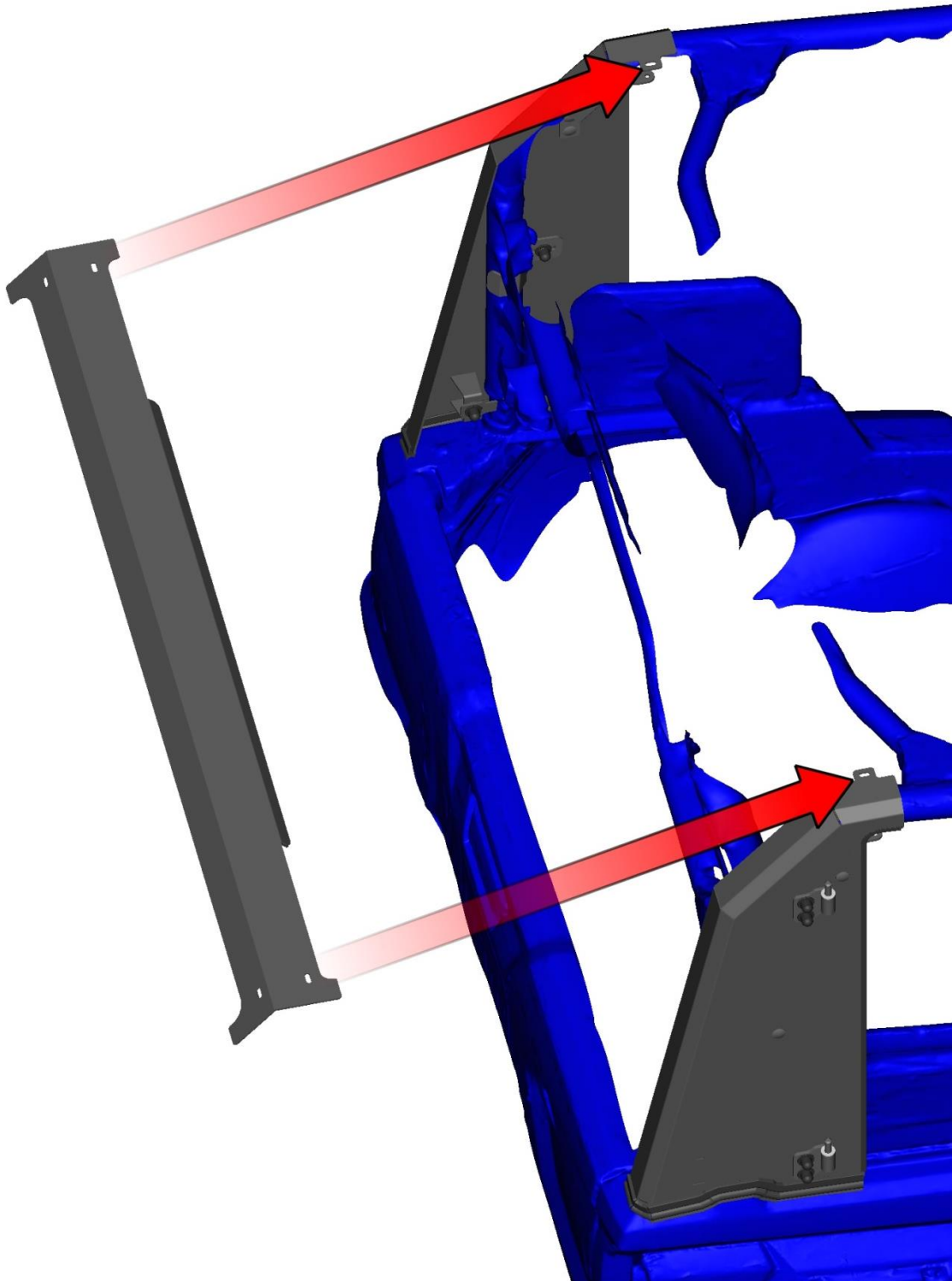
50

Place holders onto the door base and onto the vehicle frame. Fix the holders with the base to the frame by included screws, washers and covers. Repeat previous steps on the other side.



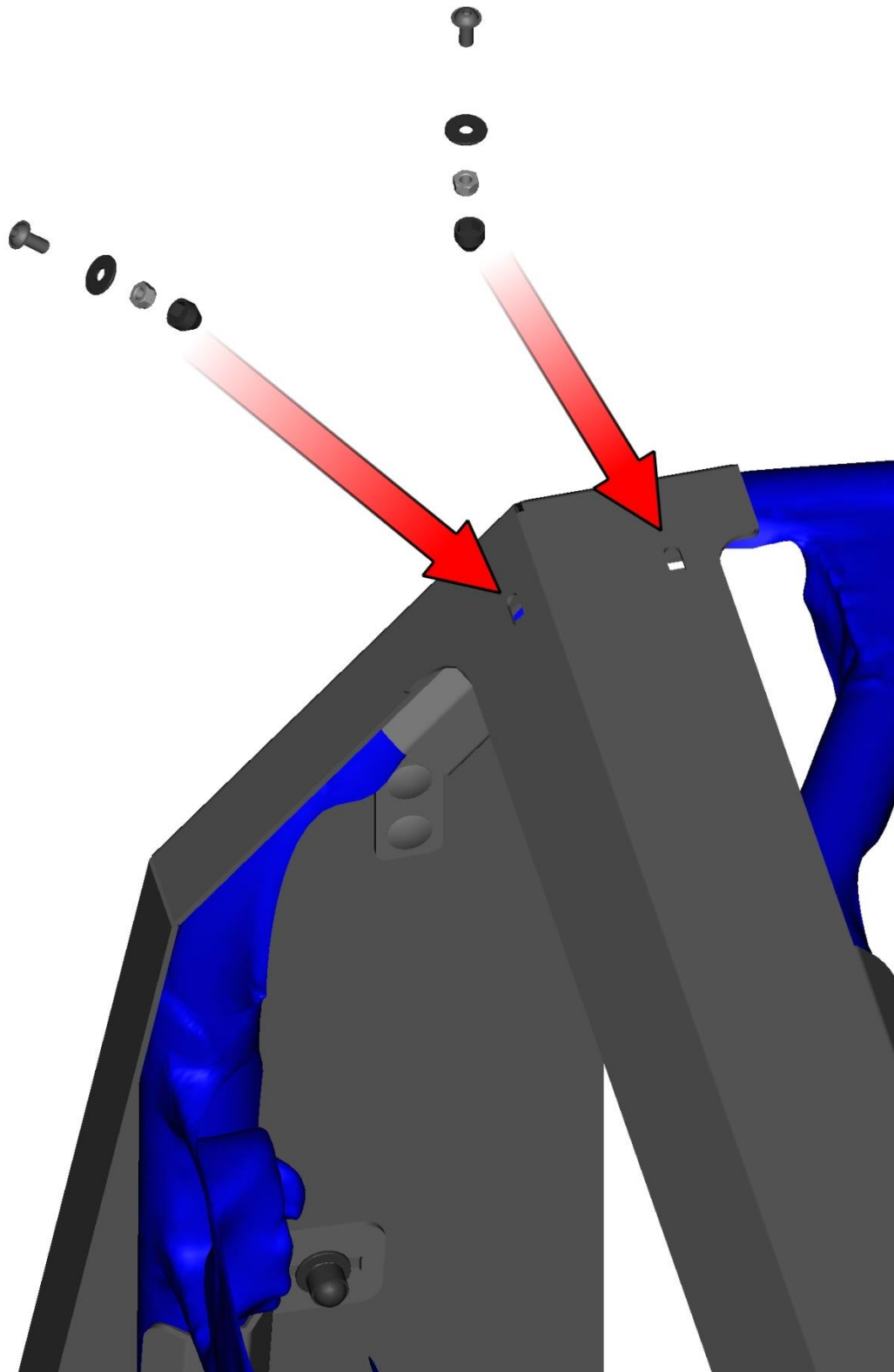
51

Place the rear upper ledge onto the door bases.



52

Fix the rear upper ledge onto the door bases by included screws, washers, nuts and covers on the both sides.



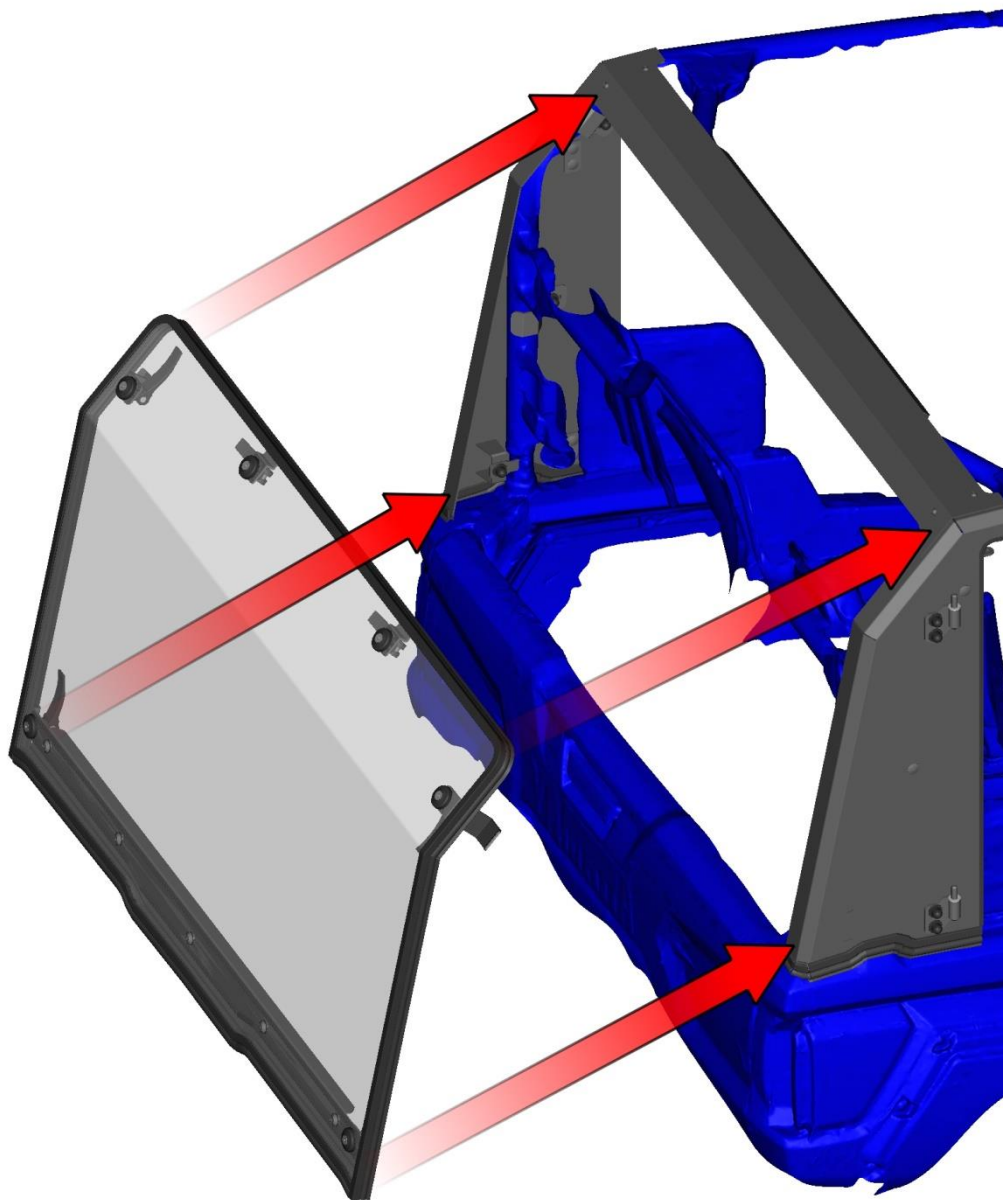
53

Loose the holders screws and turn the holders to the neutral position.



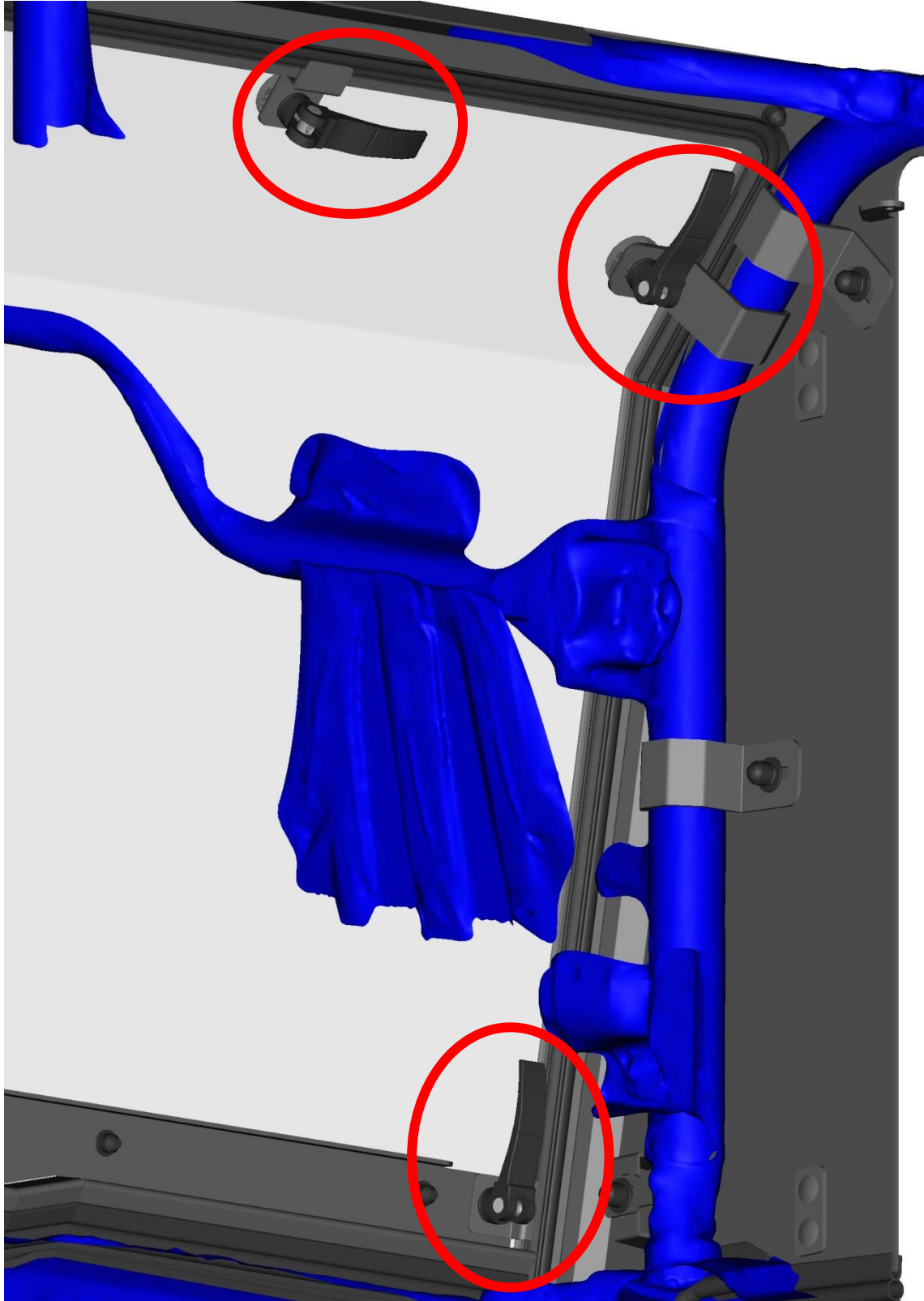
54

Place the rear window assembly onto the doors bases and rear upper ledge.



55

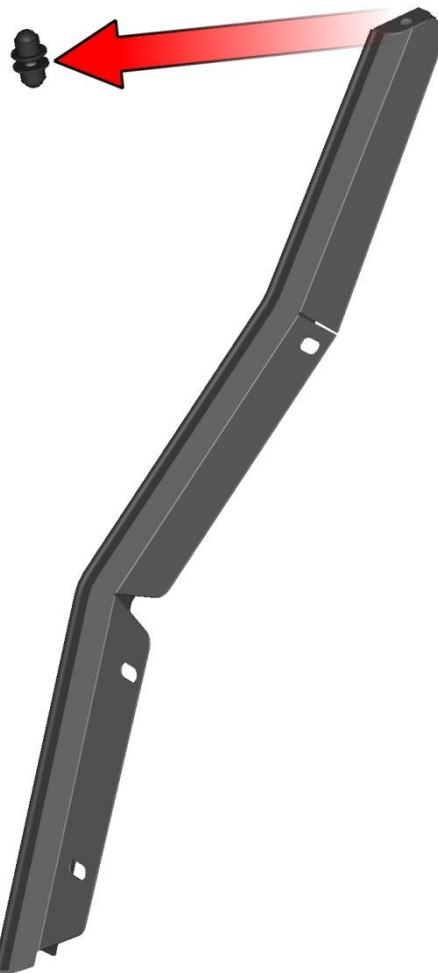
Adjust the rear window assembly to the best position. Turn the holders to the correct position and tighten holder screws correctly. Repeat previous steps on the other side.



56

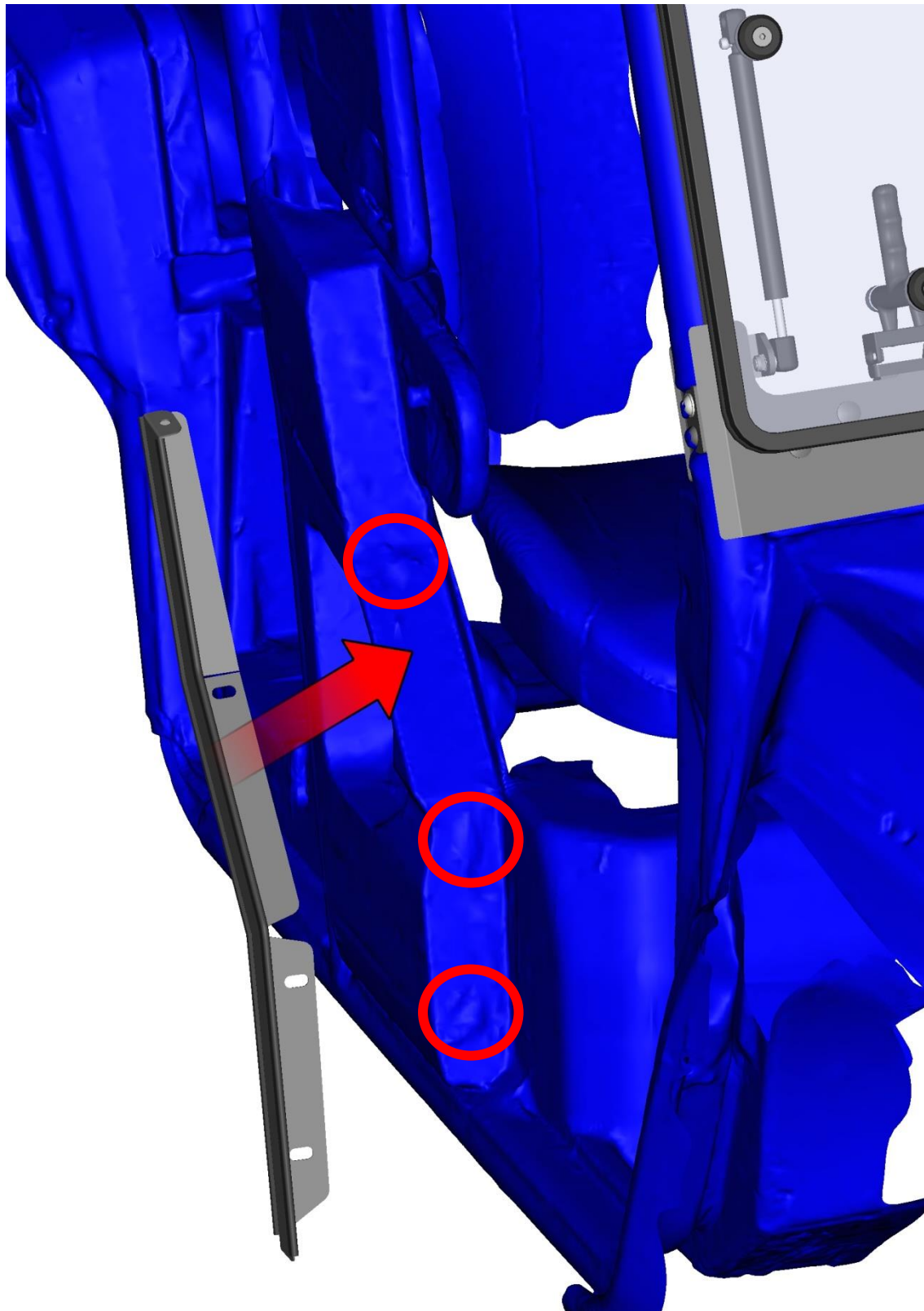
FRONT DOORS

Uninstall original doors from the vehicle frame. Uninstall fixing assembly from door bottom ledge and save it for next usage.



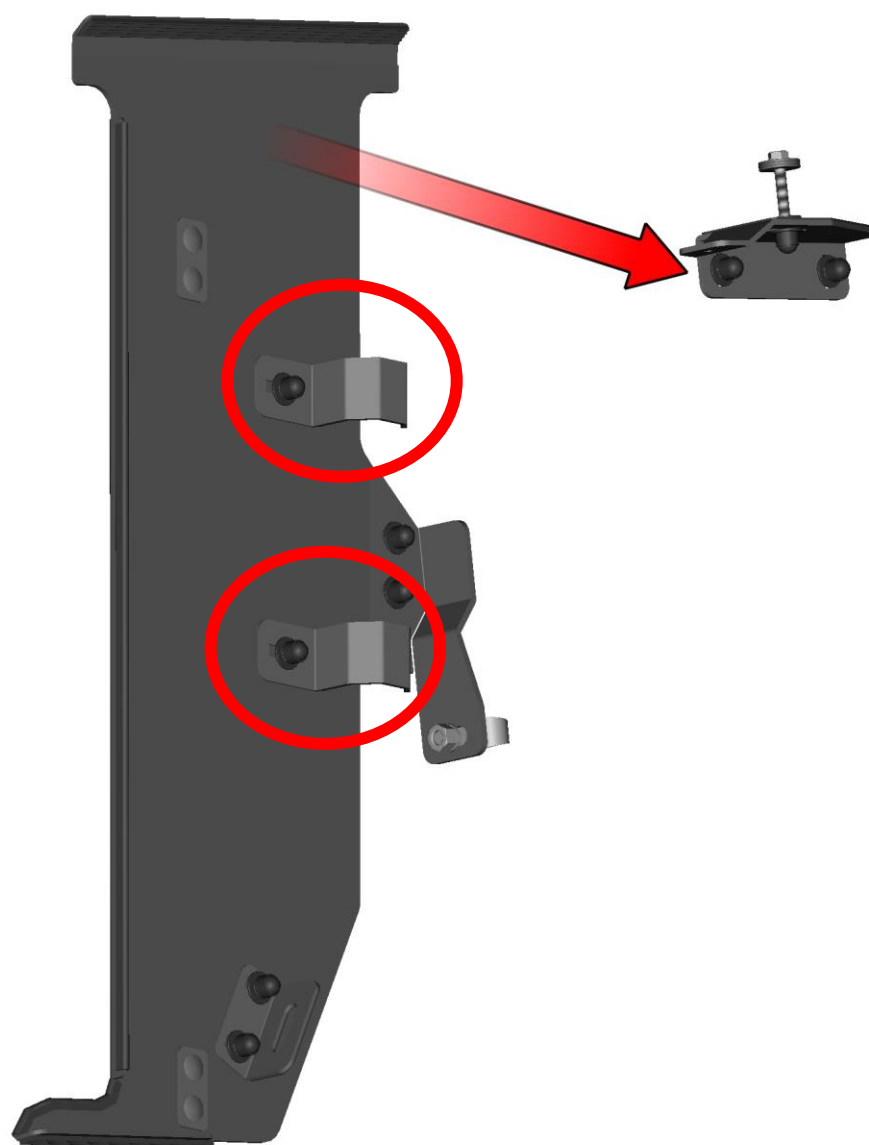
57

Loose the original screws from bottom side cover and save that. Place the bottom door ledge onto the cover and fix with original screws.

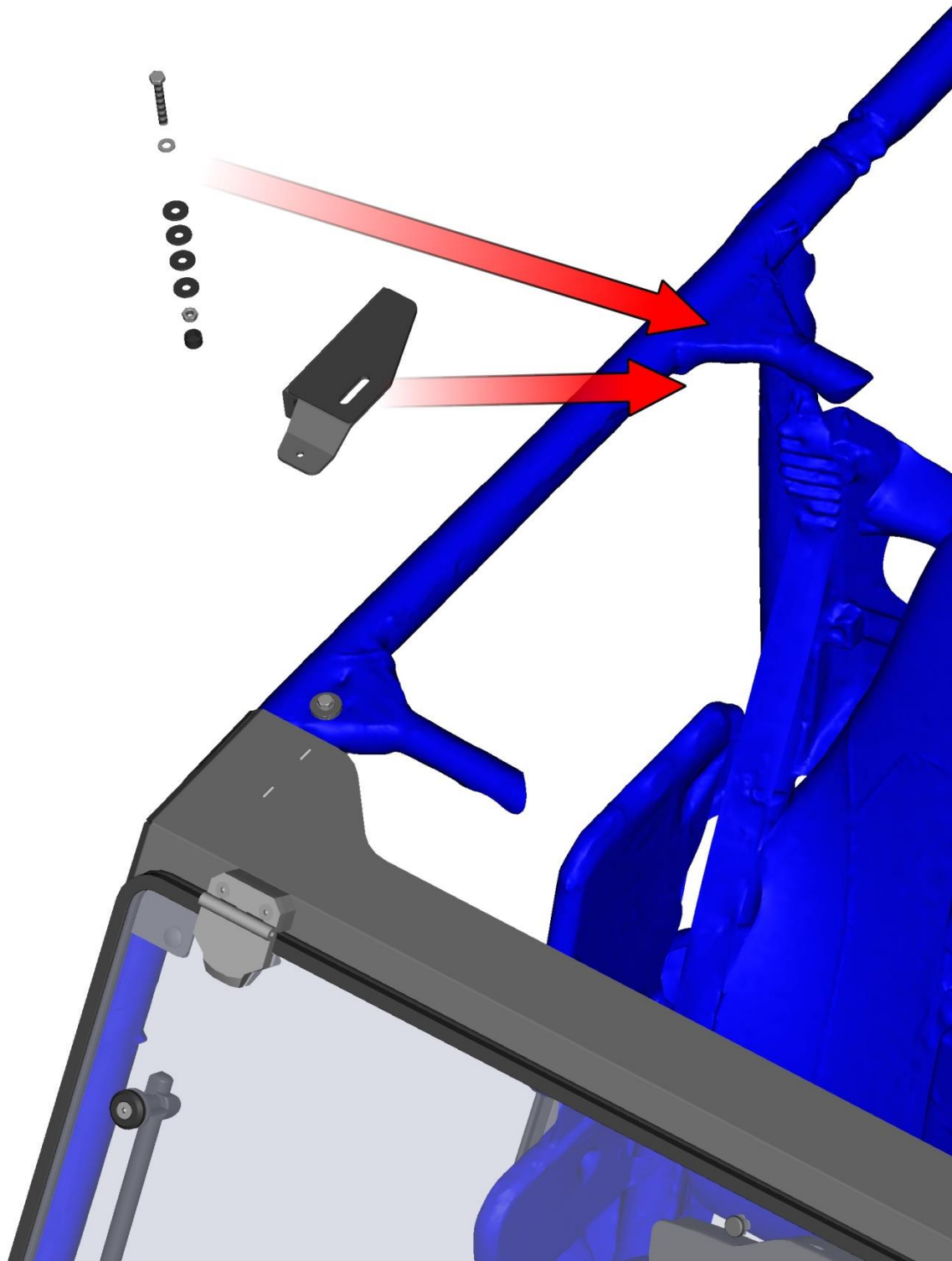


58

Unmount gas spring holder from the door base. Loose two holders and turn it to the neutral position.



Mount the gas spring holder into the original front hole in vehicle frame. See next page.

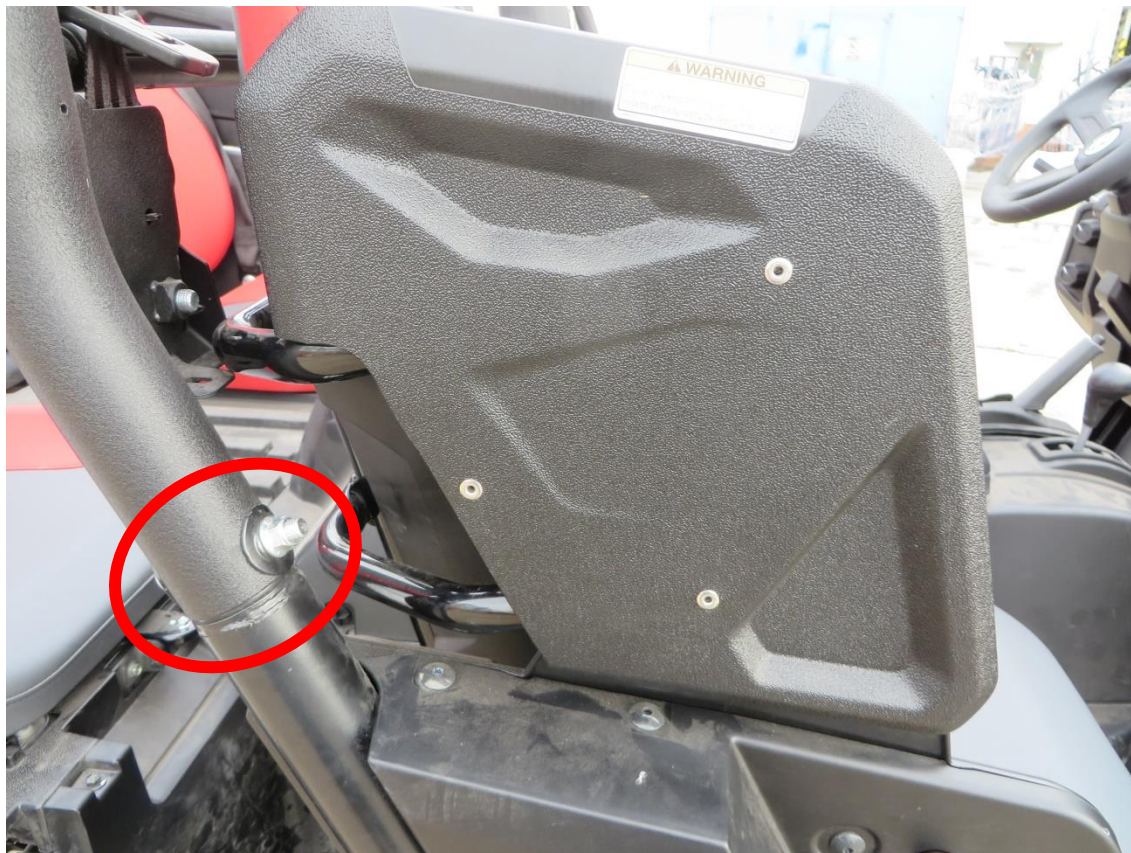


60

In case of colision with the screw (green marks) loose this screw and remount it with three included washers.

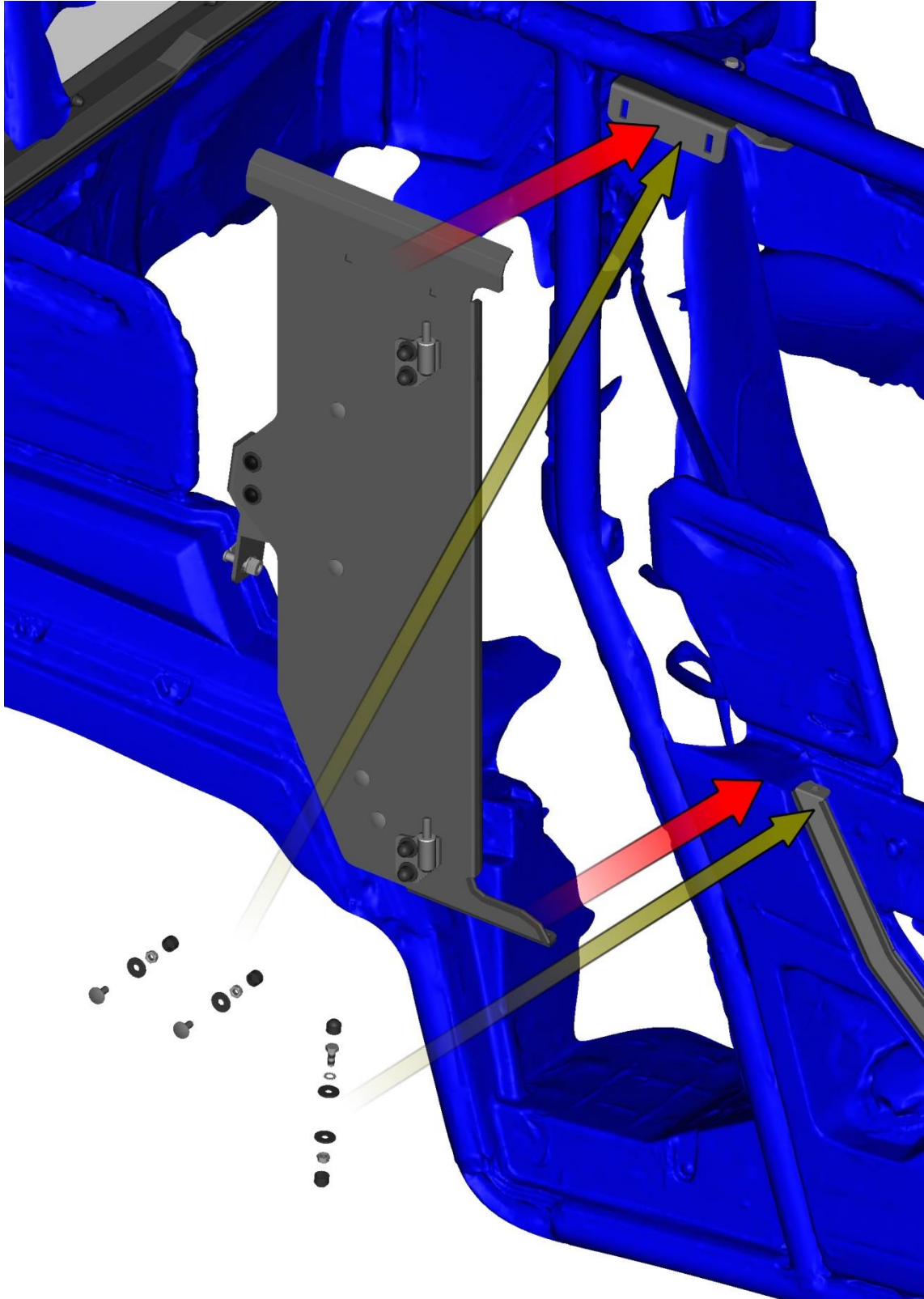


Loose the original screw (red marks) and save it for next usage.



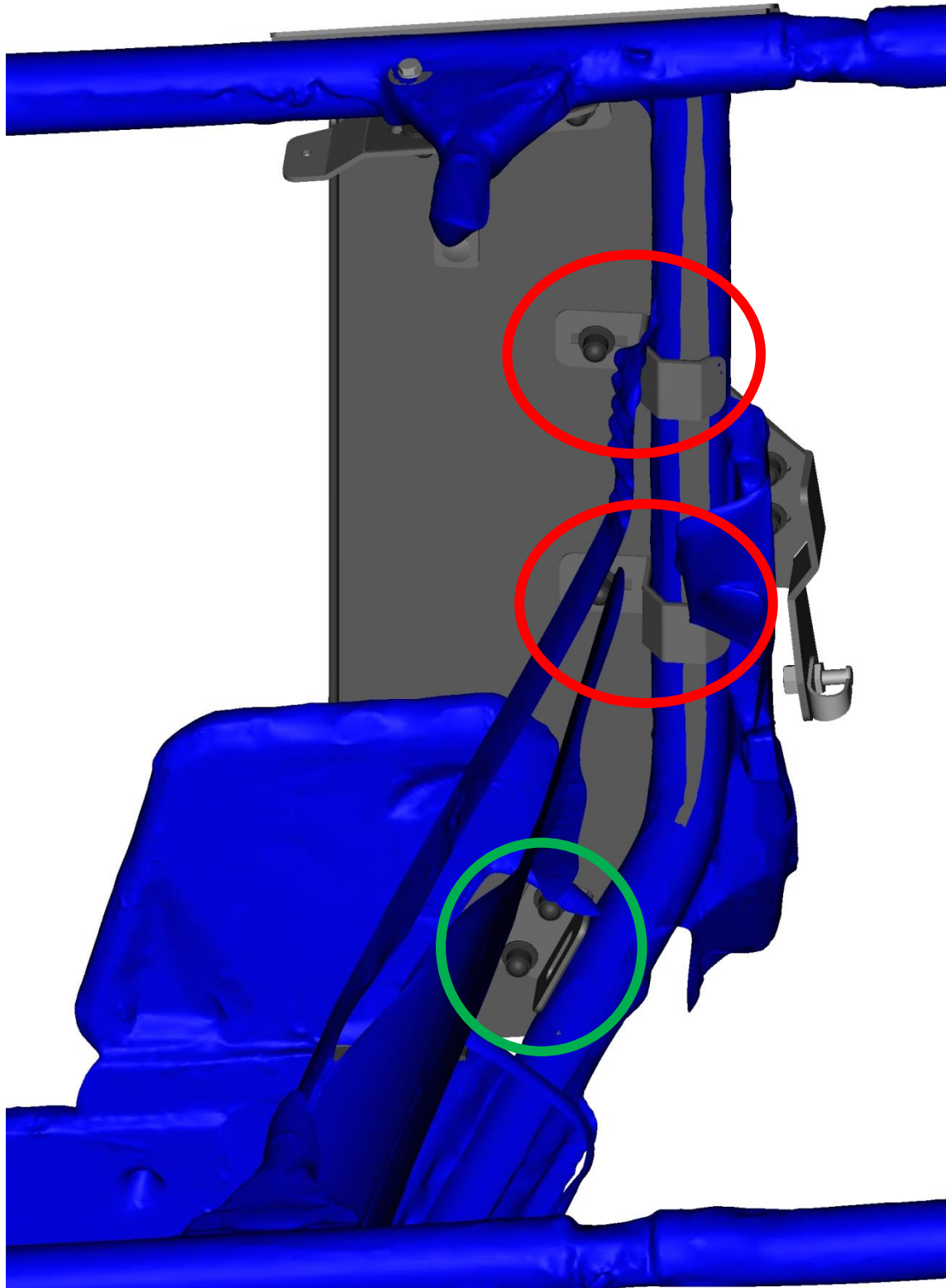
62

Place the door base onto the vehicle frame and fix with the upper holder and the bottom door ledge with included screws, washers, nuts and covers.



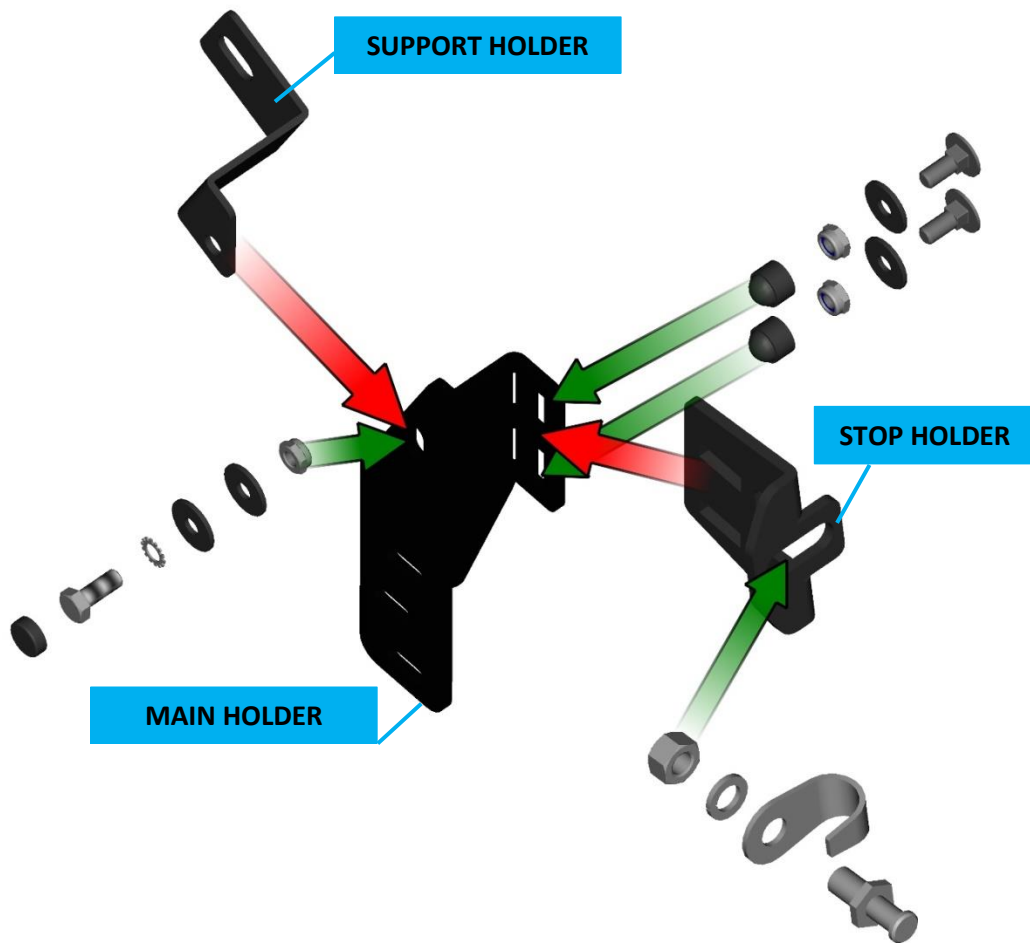
63

Turn the holders to the correct position and tighten screws. Fix the holder (green mark) by original screw.

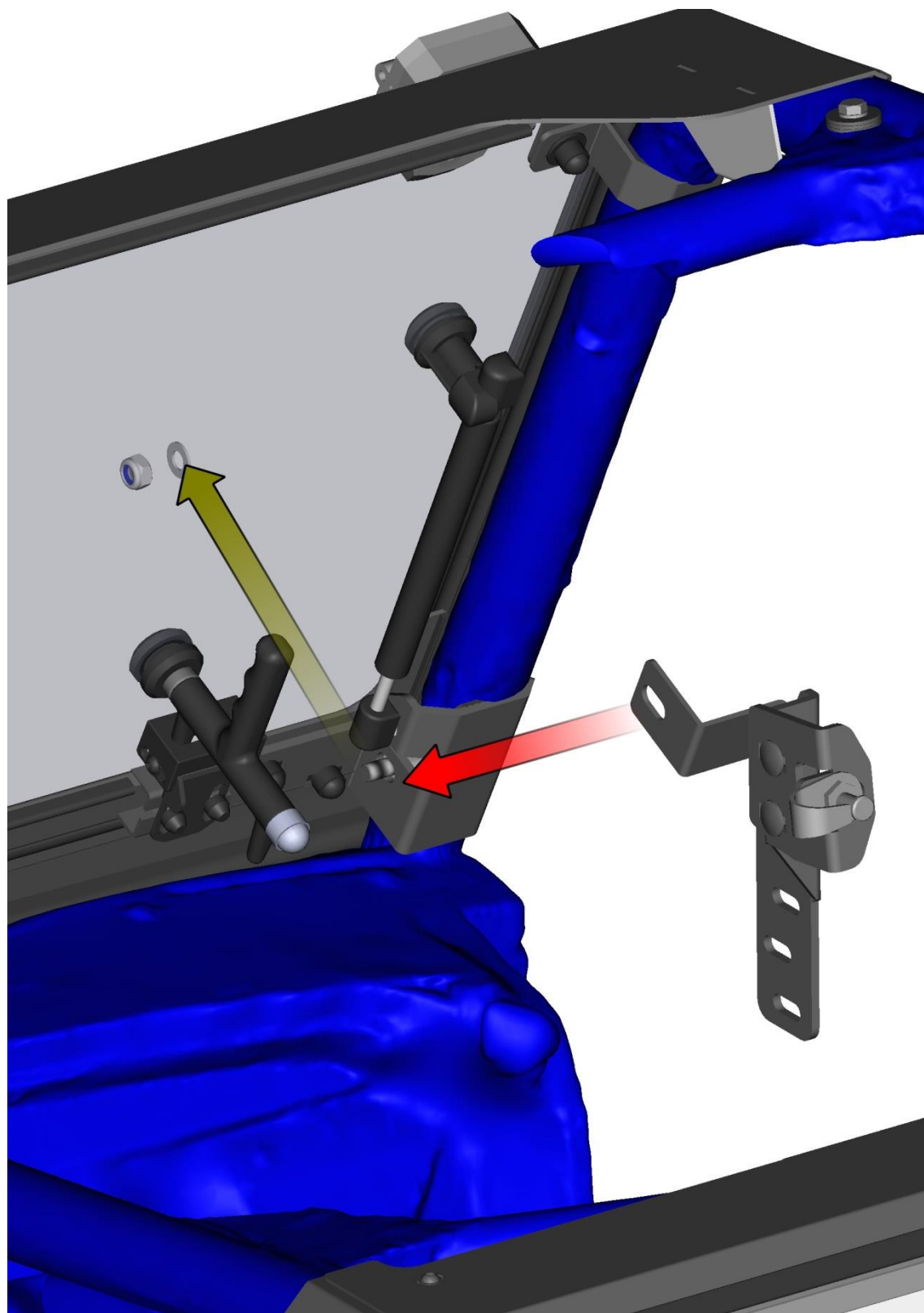


If you have door stop assembly mounted, skip this page.

Install the door stop pin assembly onto the stop holder. Install the stop holder onto the main holder by included screws, washers, nuts and covers. Install support holder to the main holder by included screw, washers, nut and cover.

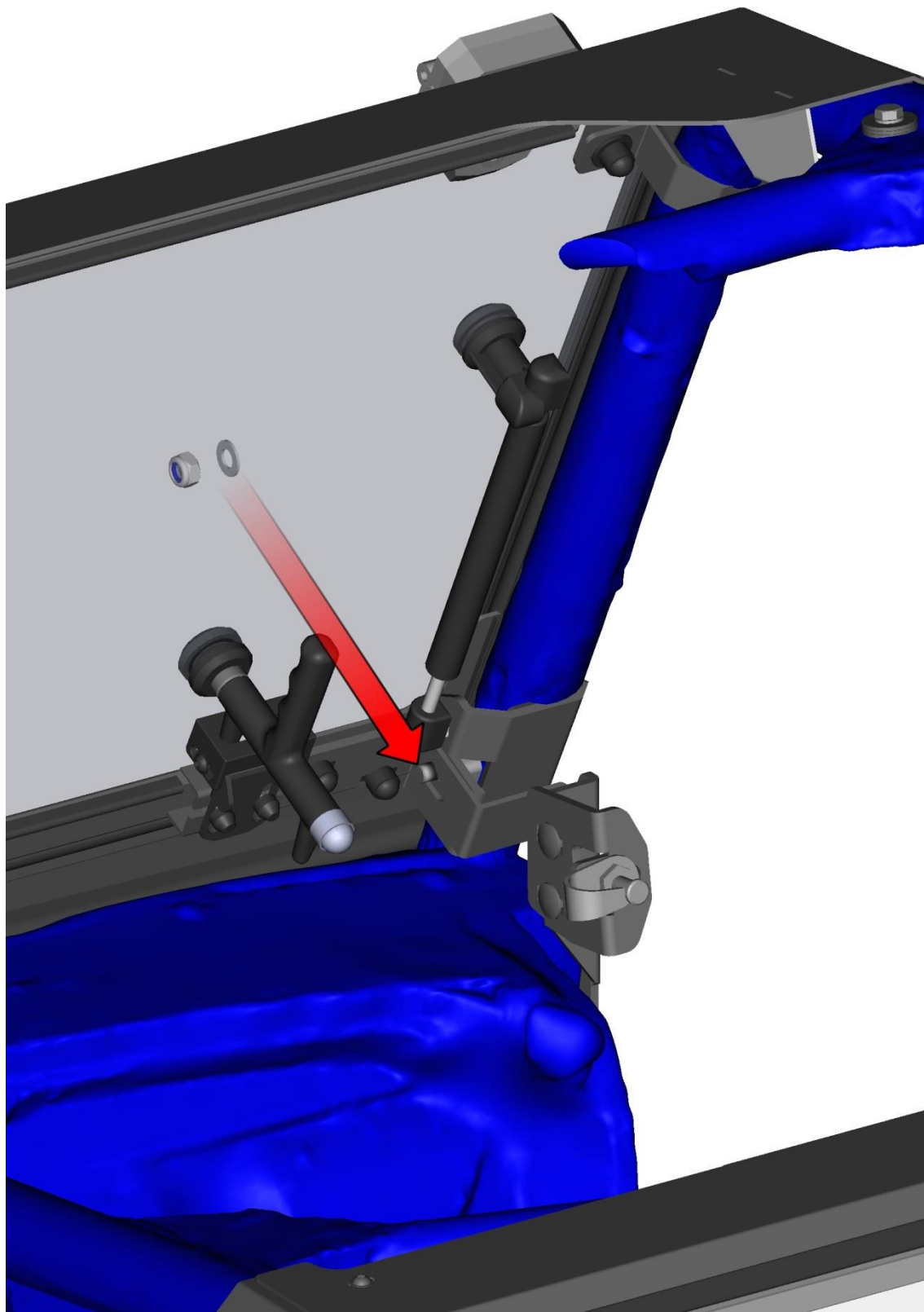


Unmount bottom nut with washer and insert door stop assembly.



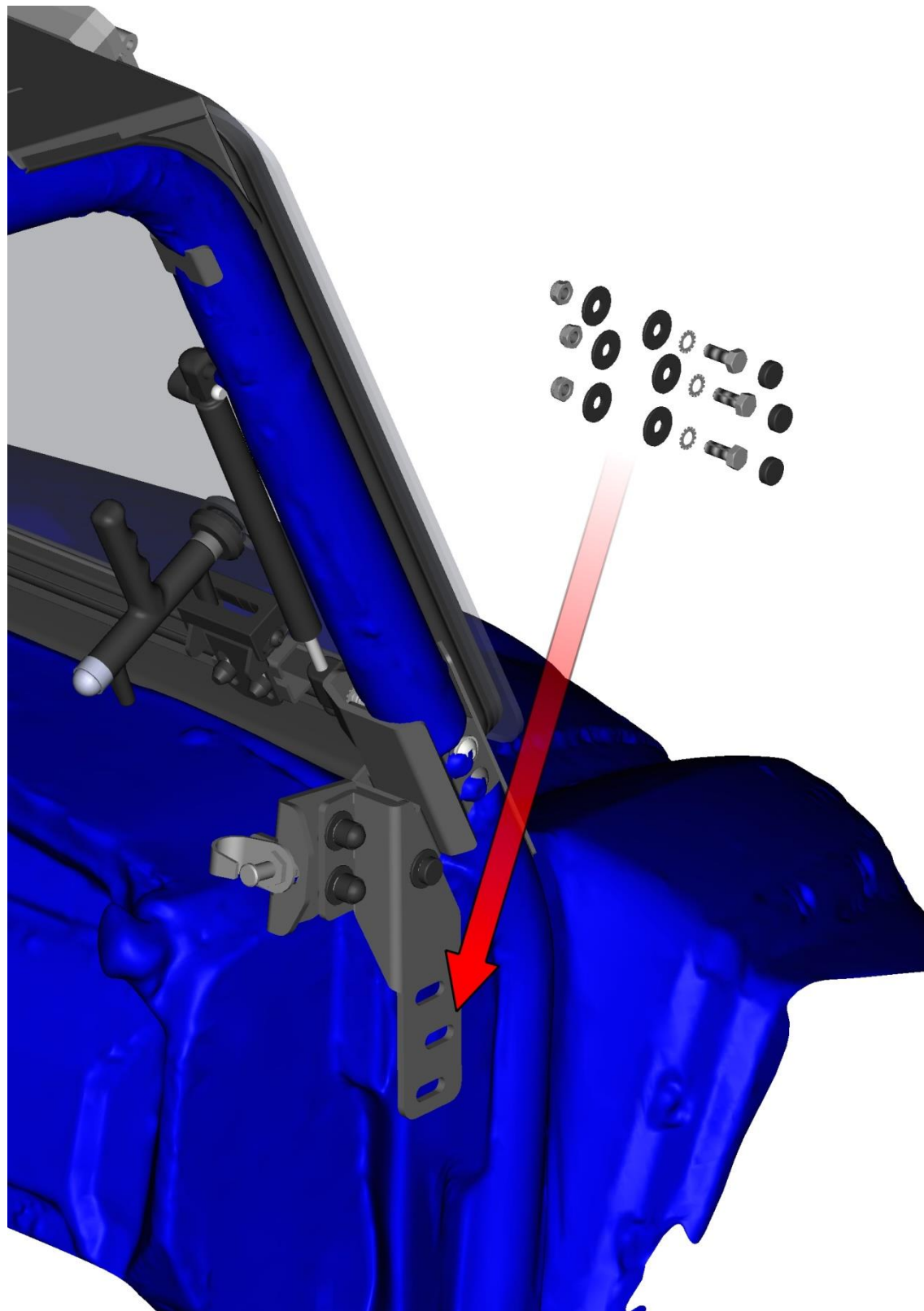
66

Fix the door stop assembly by nut and washer.



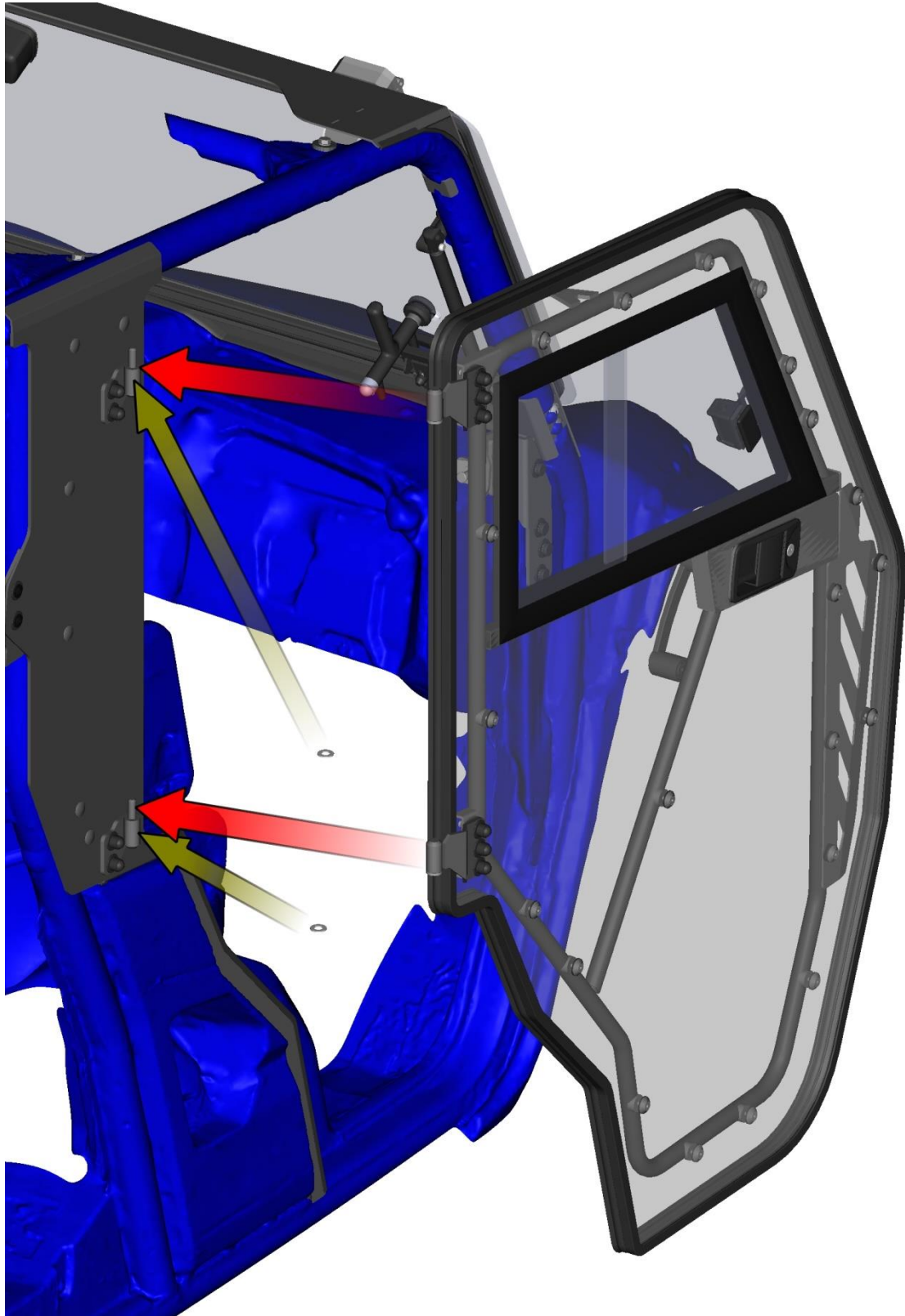
67

Fix the door stop assembly onto the original door holes by included screws, washers, nuts and covers.



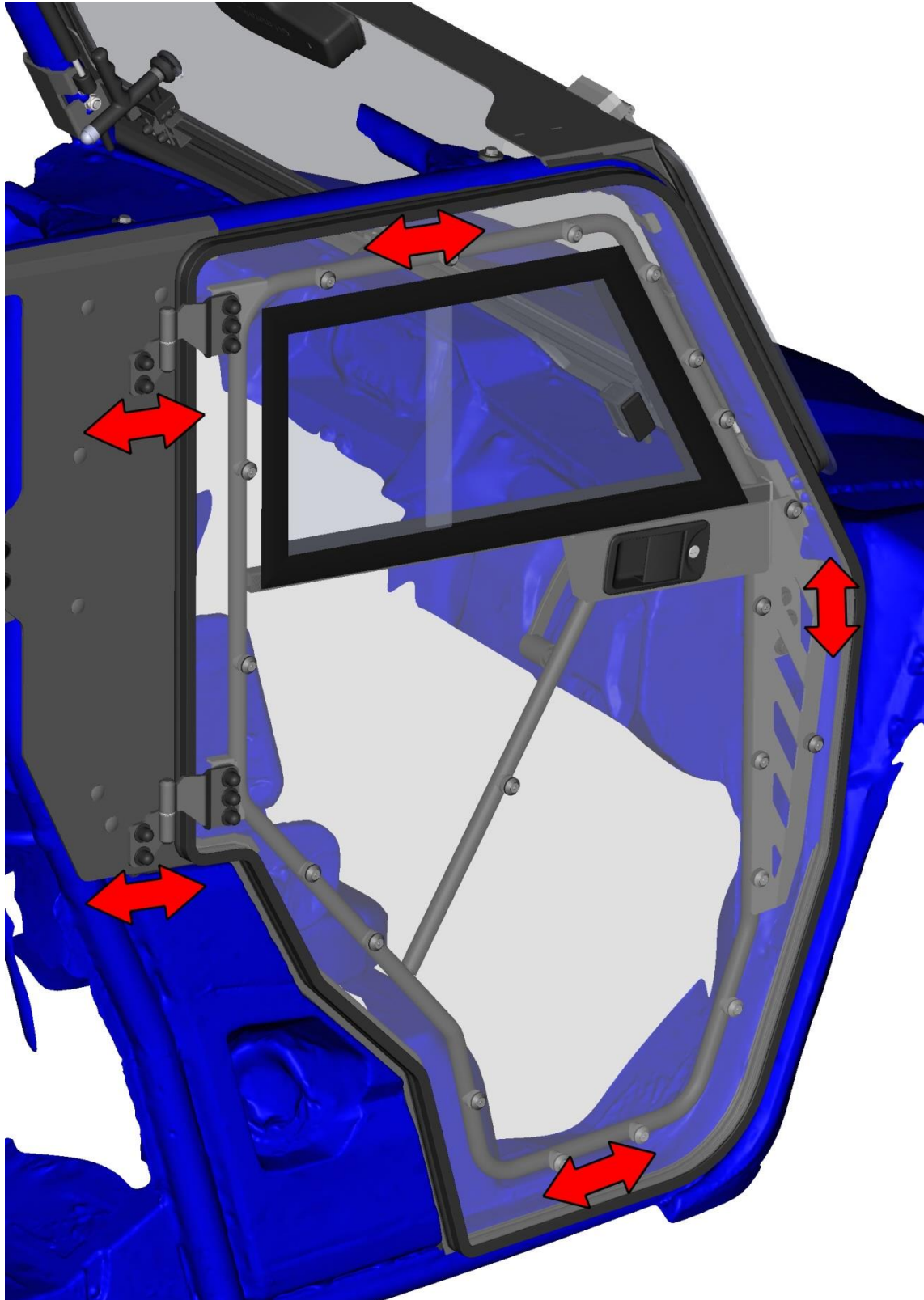
68

Insert the washers onto the hinges pins and lubricate the hinges pins. Place the door onto the hinges.



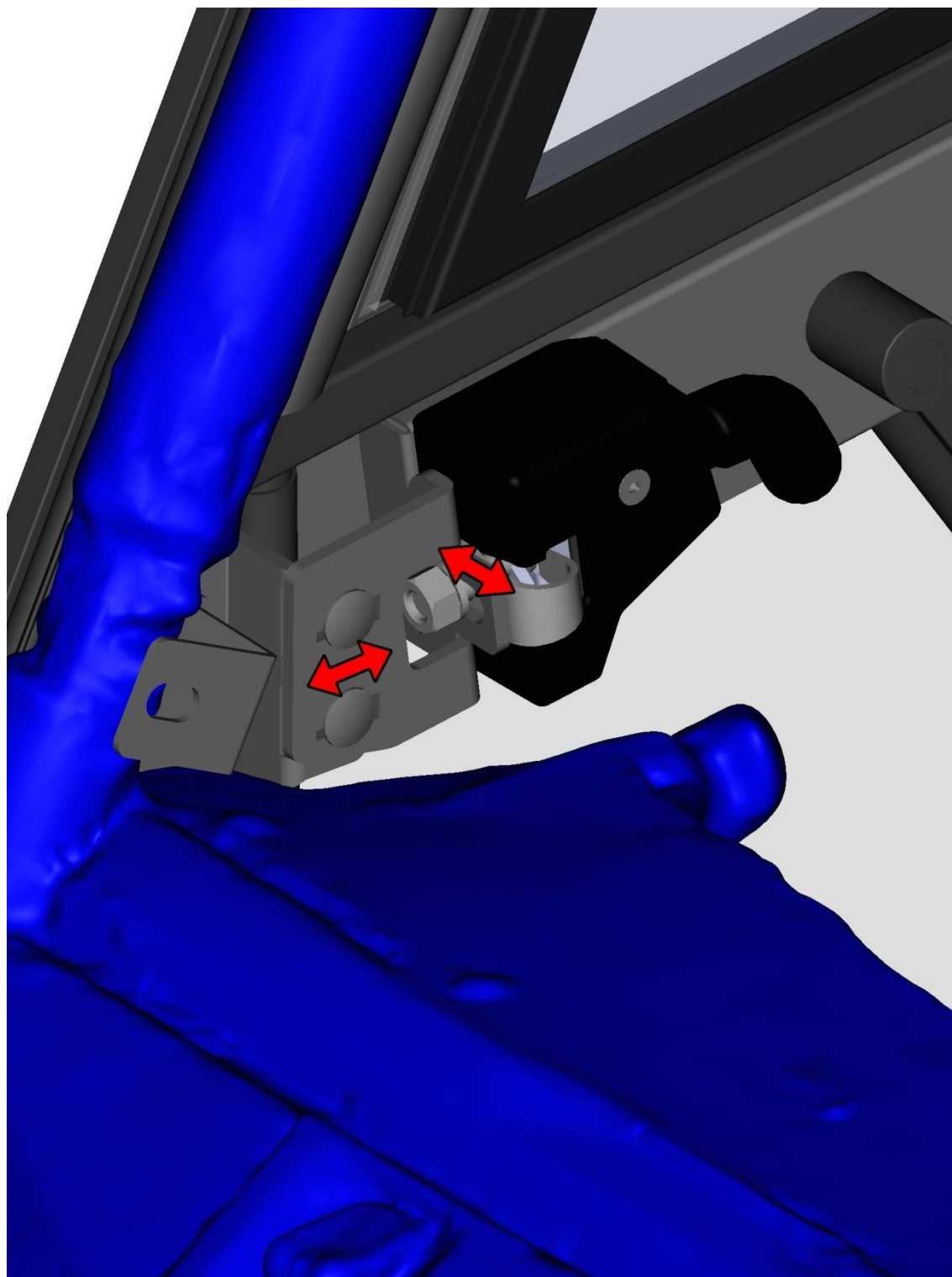
69

Adjust the door by hinges to the best position and tighten hinges screws and nuts hard.



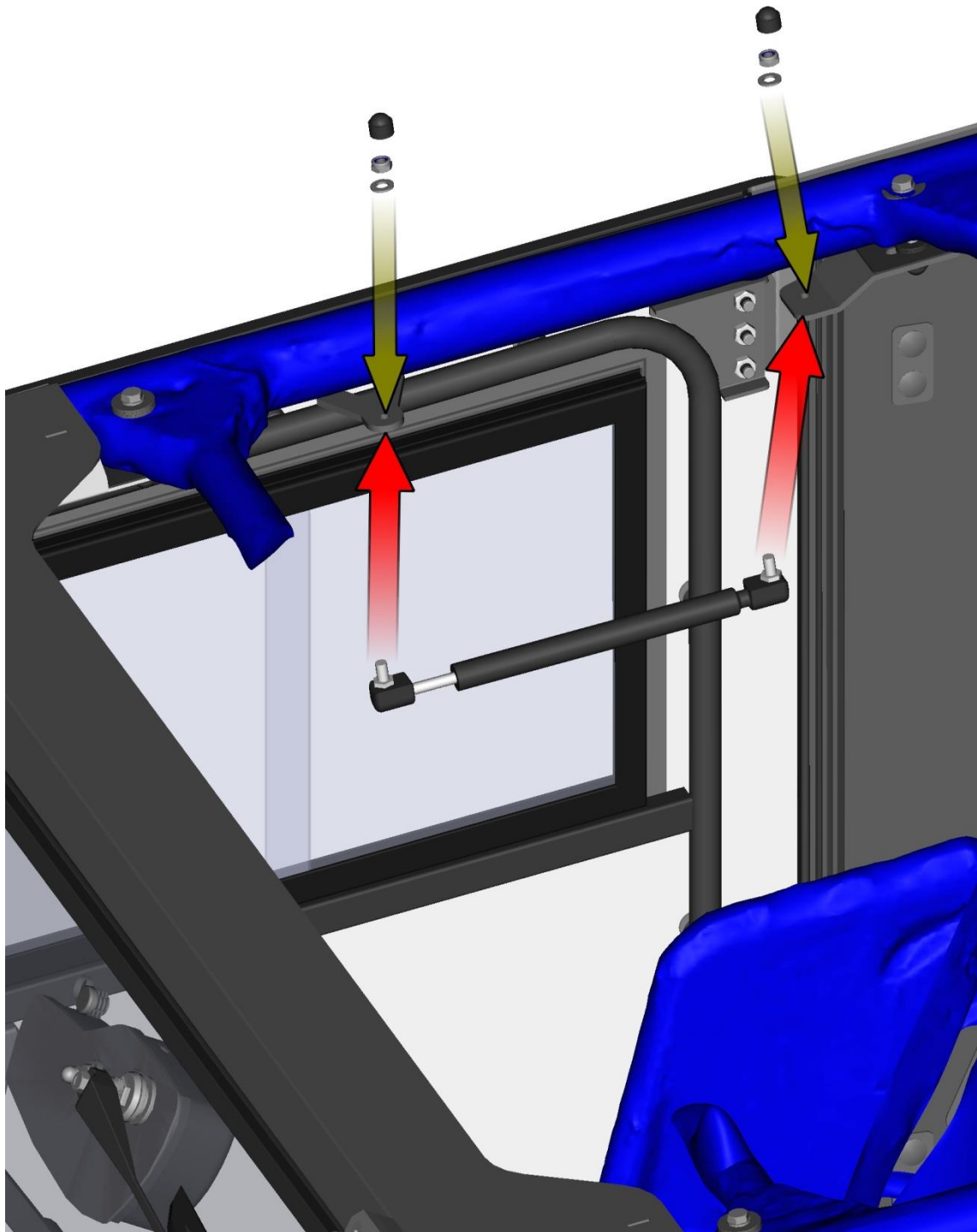
70

Adjust the door stop pin and the holder to the best locking position.



71

Install the gas spring into the gas spring holders by included nuts, washers and covers. **It is important to mount the gas spring in same orientation like on picture.**

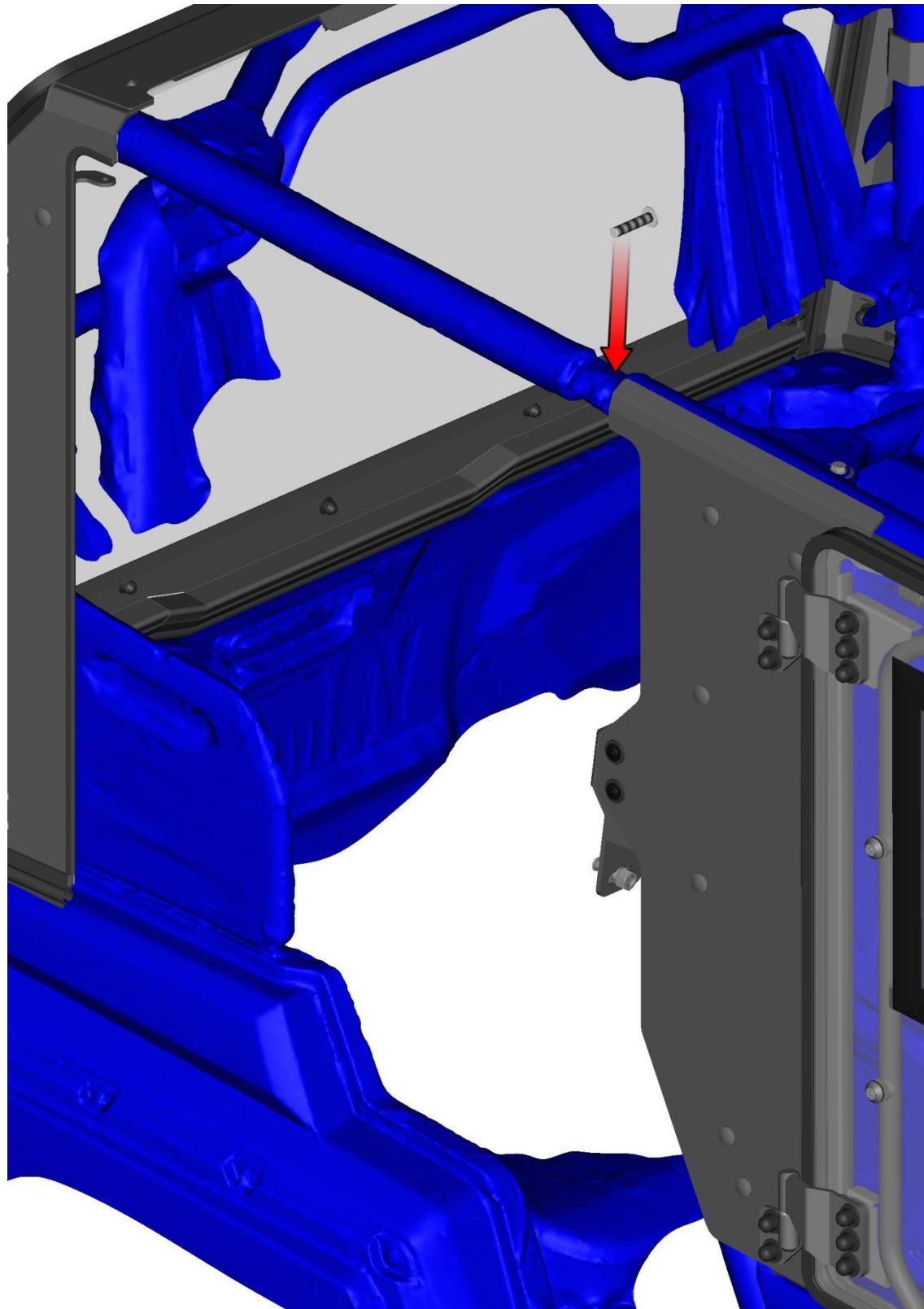


72

Repeat previous steps on the other side.

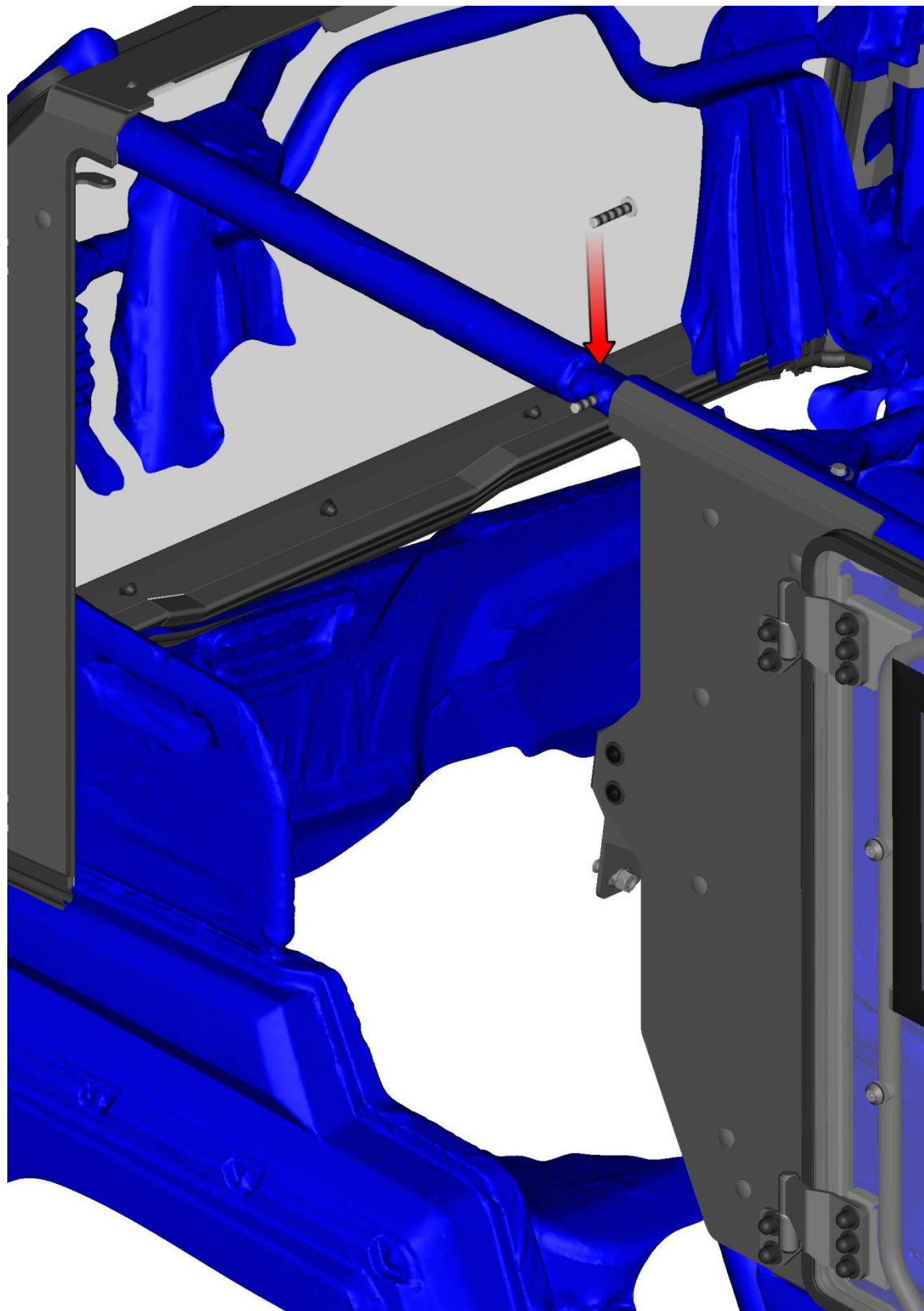
REAR DOORS

Loose upper front original screw from vehicle frame. Insert included screw from the inner side.



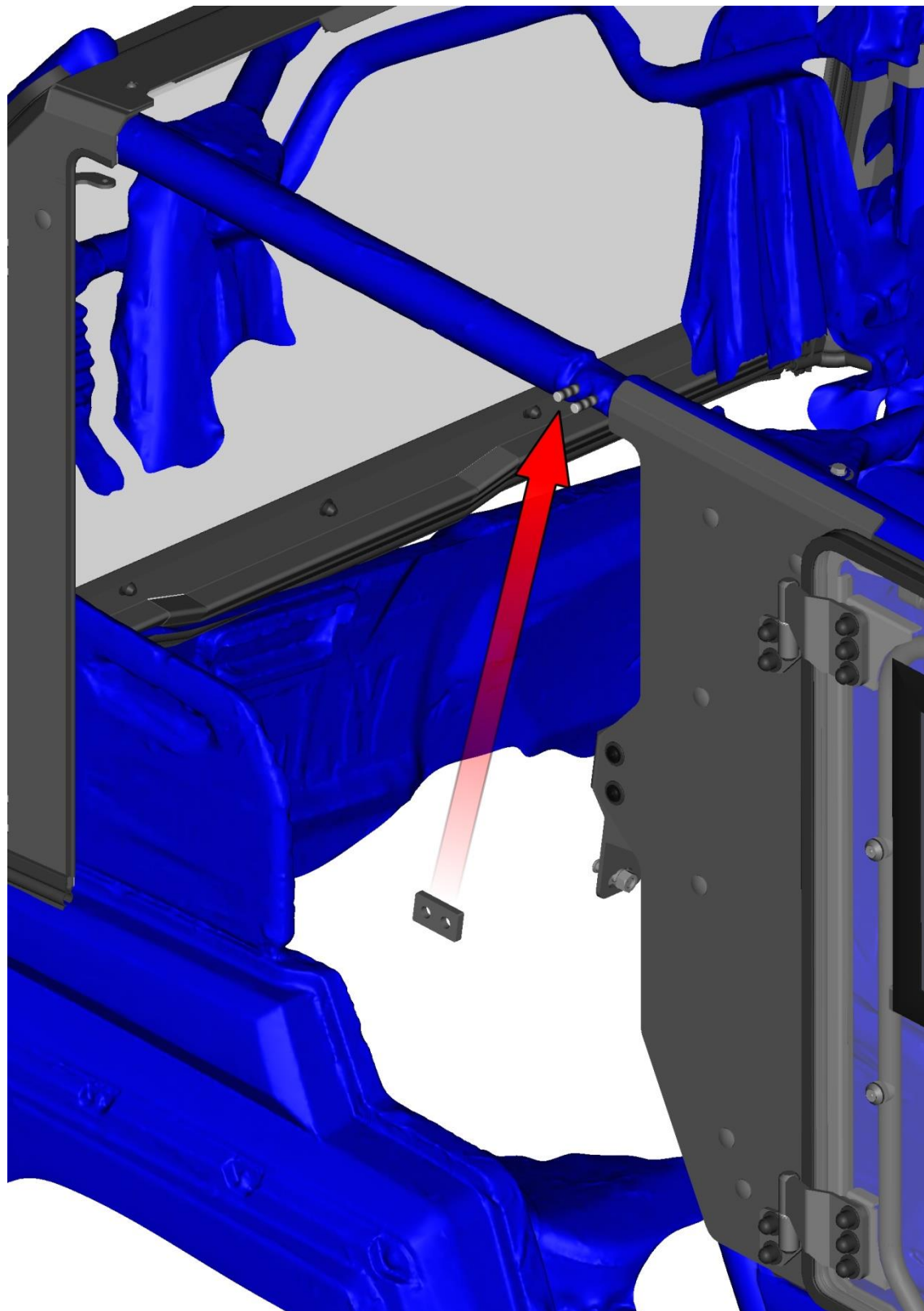
73

Loose upper rear original screw from vehicle frame. Insert included screw from the inner side.



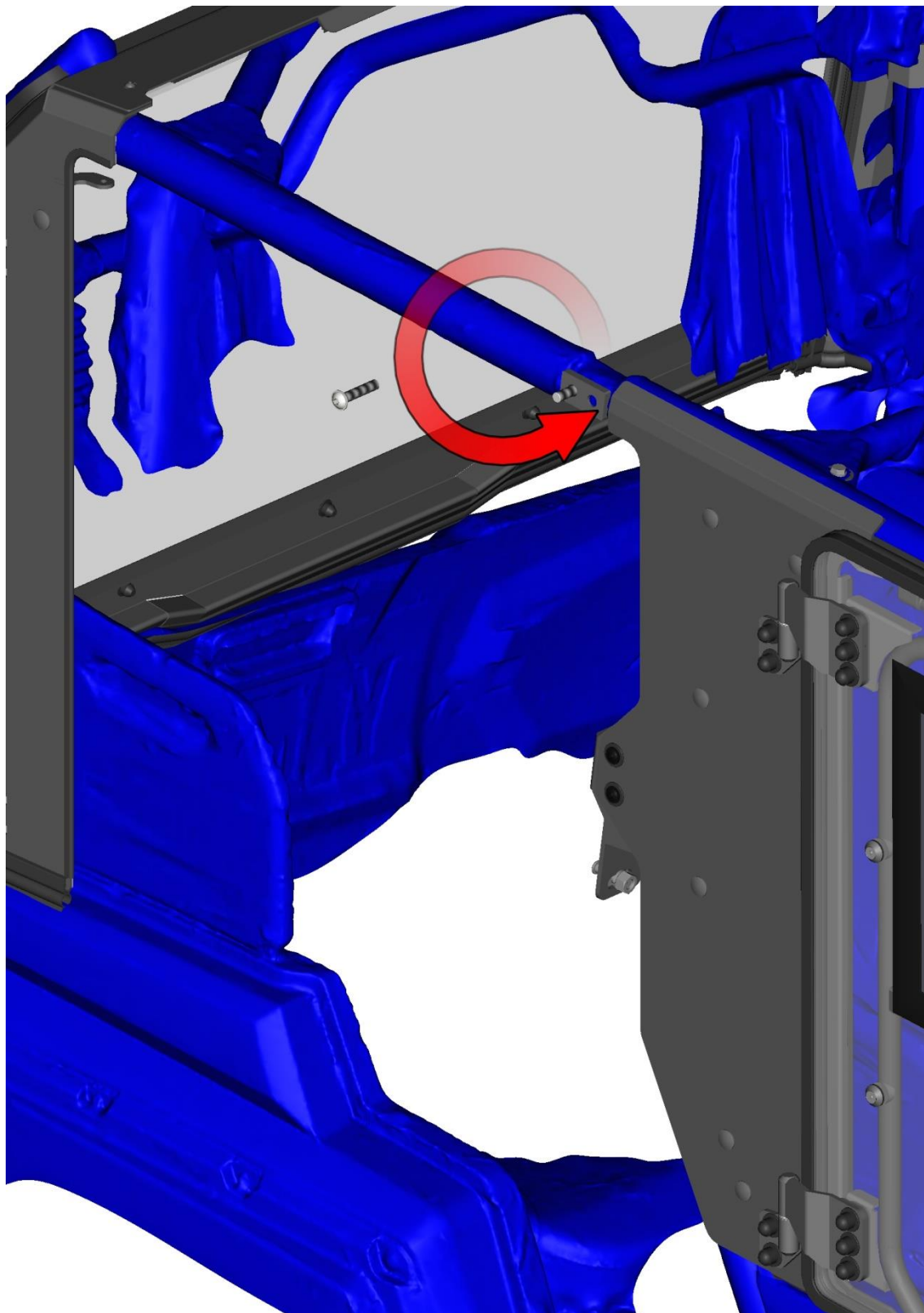
74

Place the washer onto the frame.



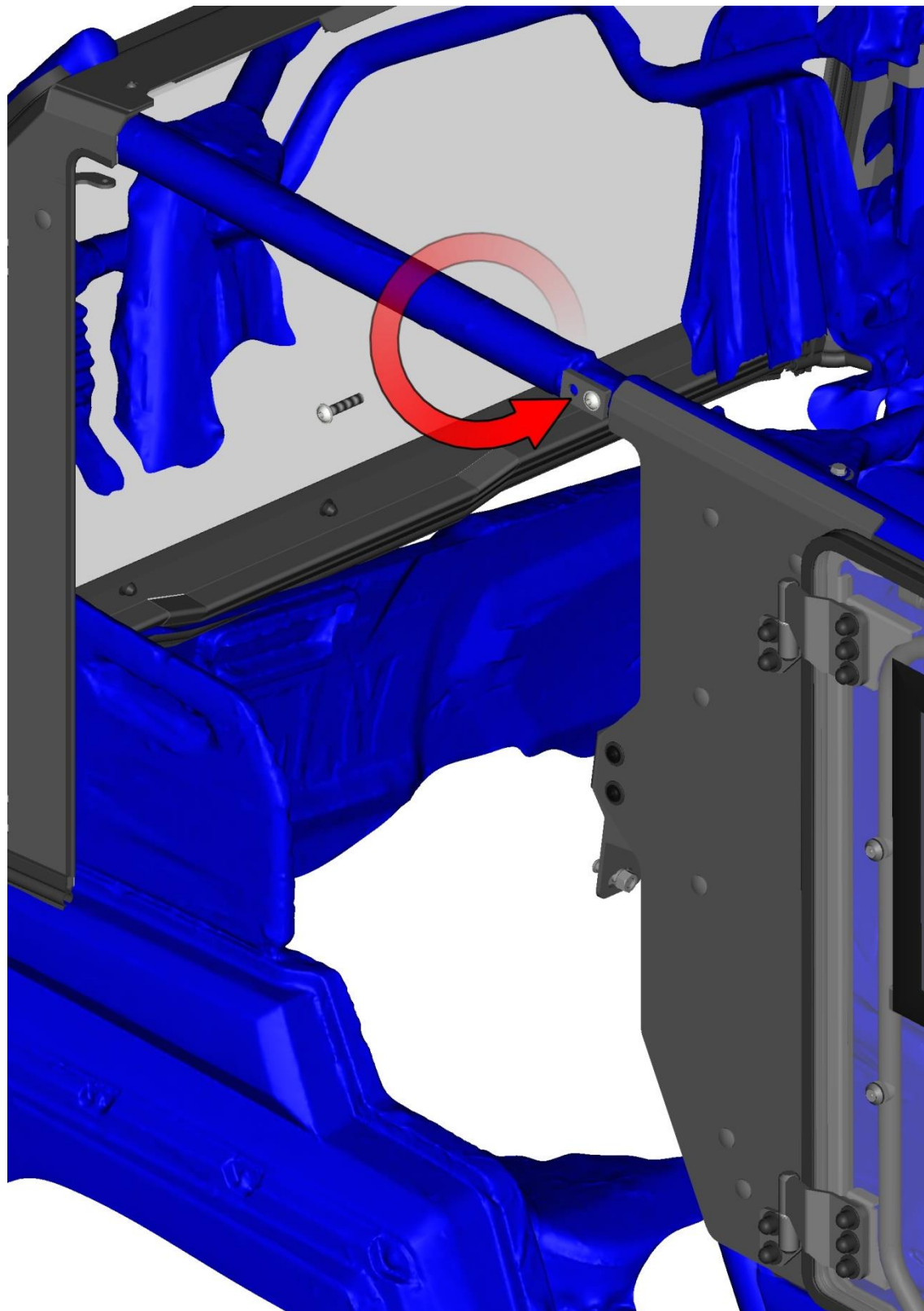
75

Take out the front screw and reinsert it from outer side.



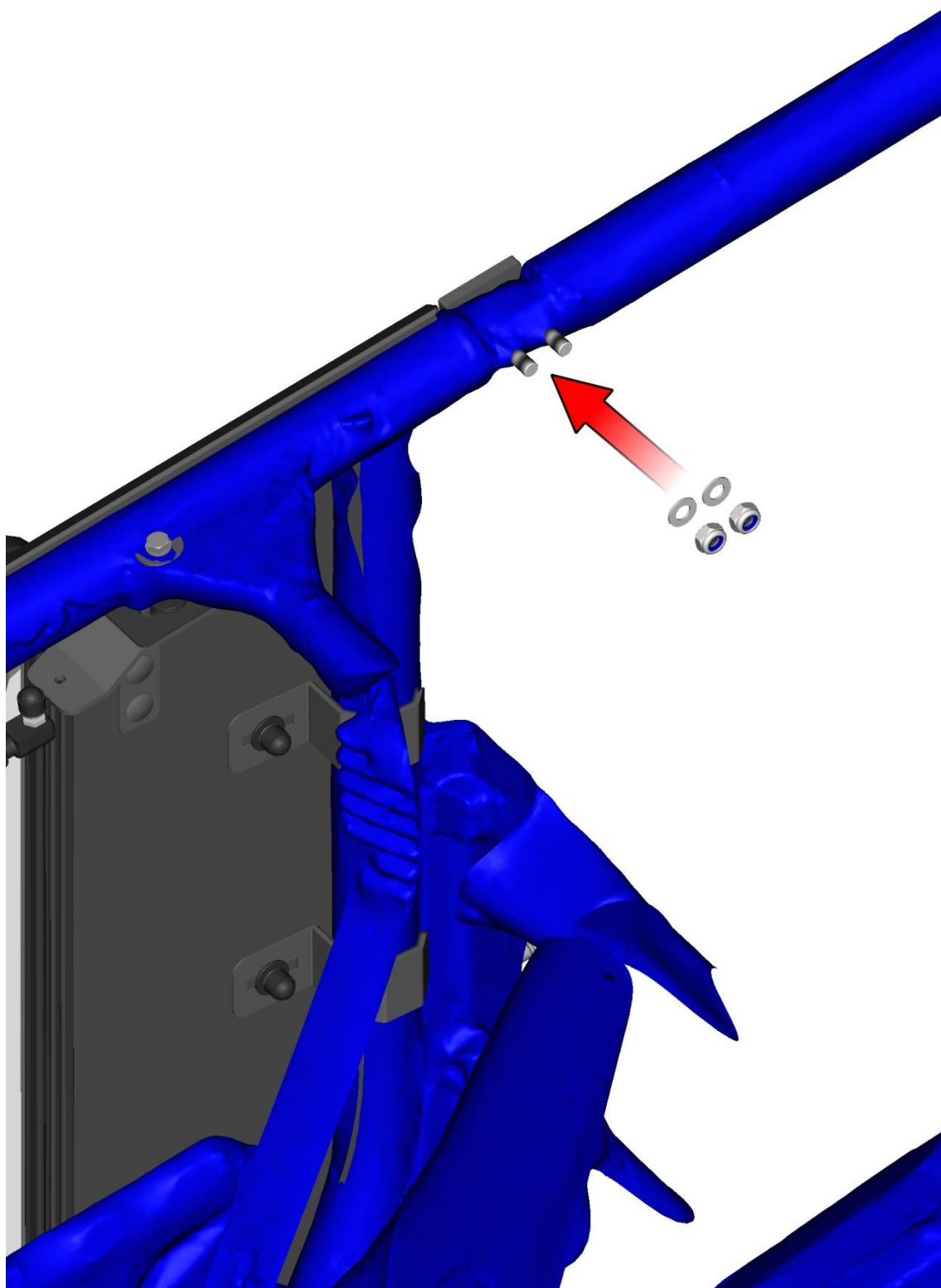
76

Take out the rear screw and reinsert it from outer side.



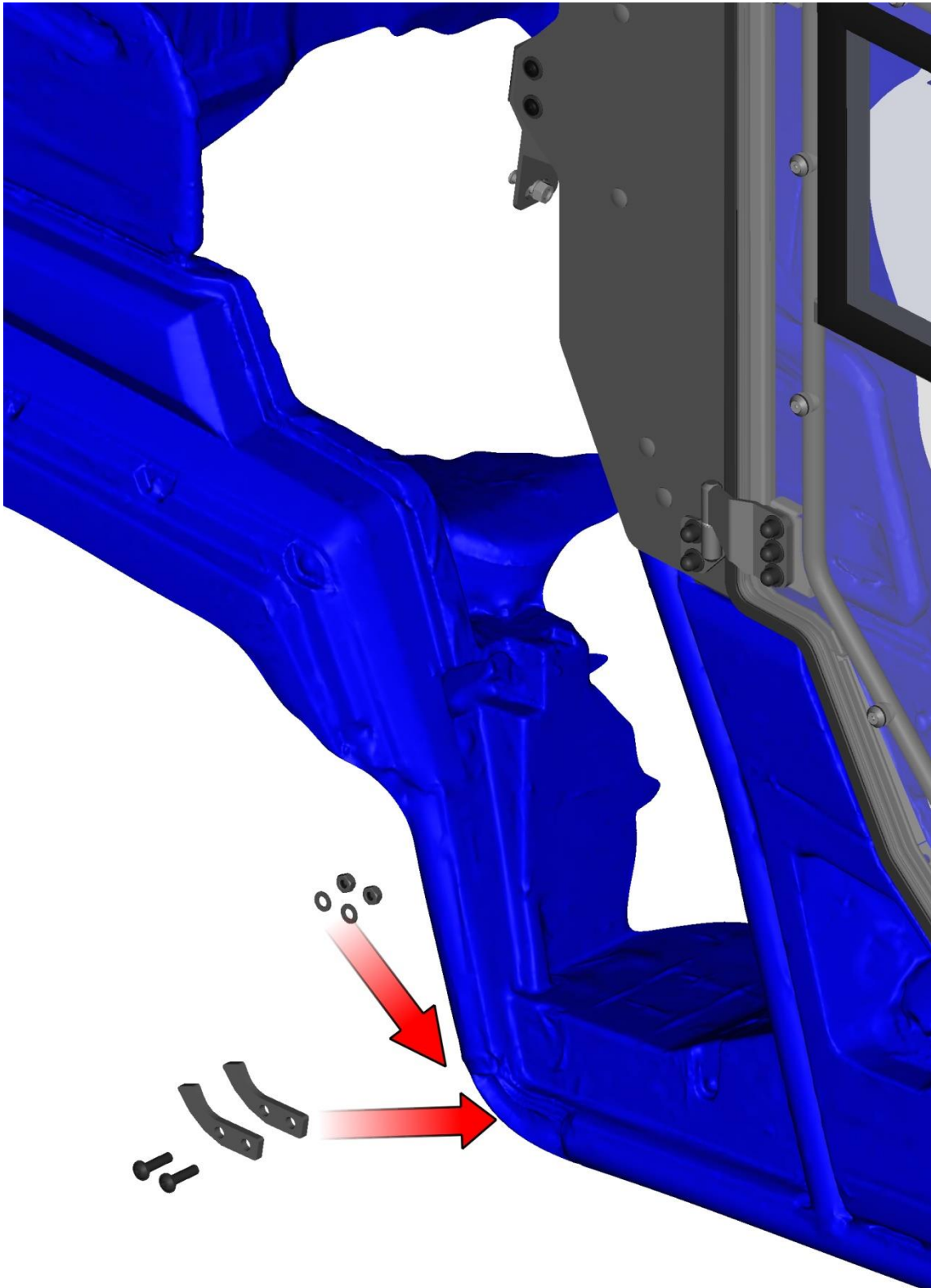
77

Fix the screws by included washers and nuts.

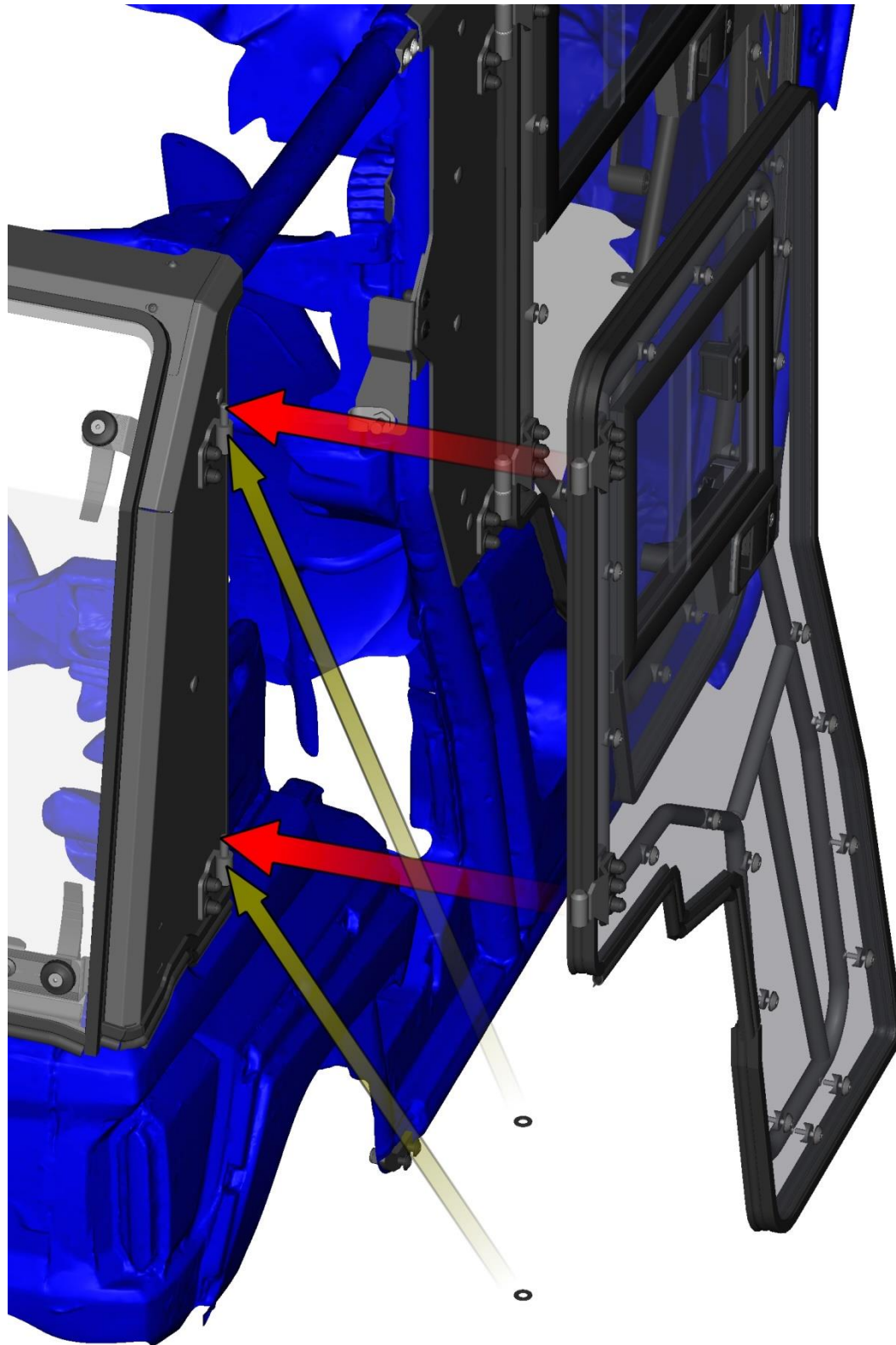


78

Place two washers onto the frame. Fix them into the original holes by included screws, washers and nuts.

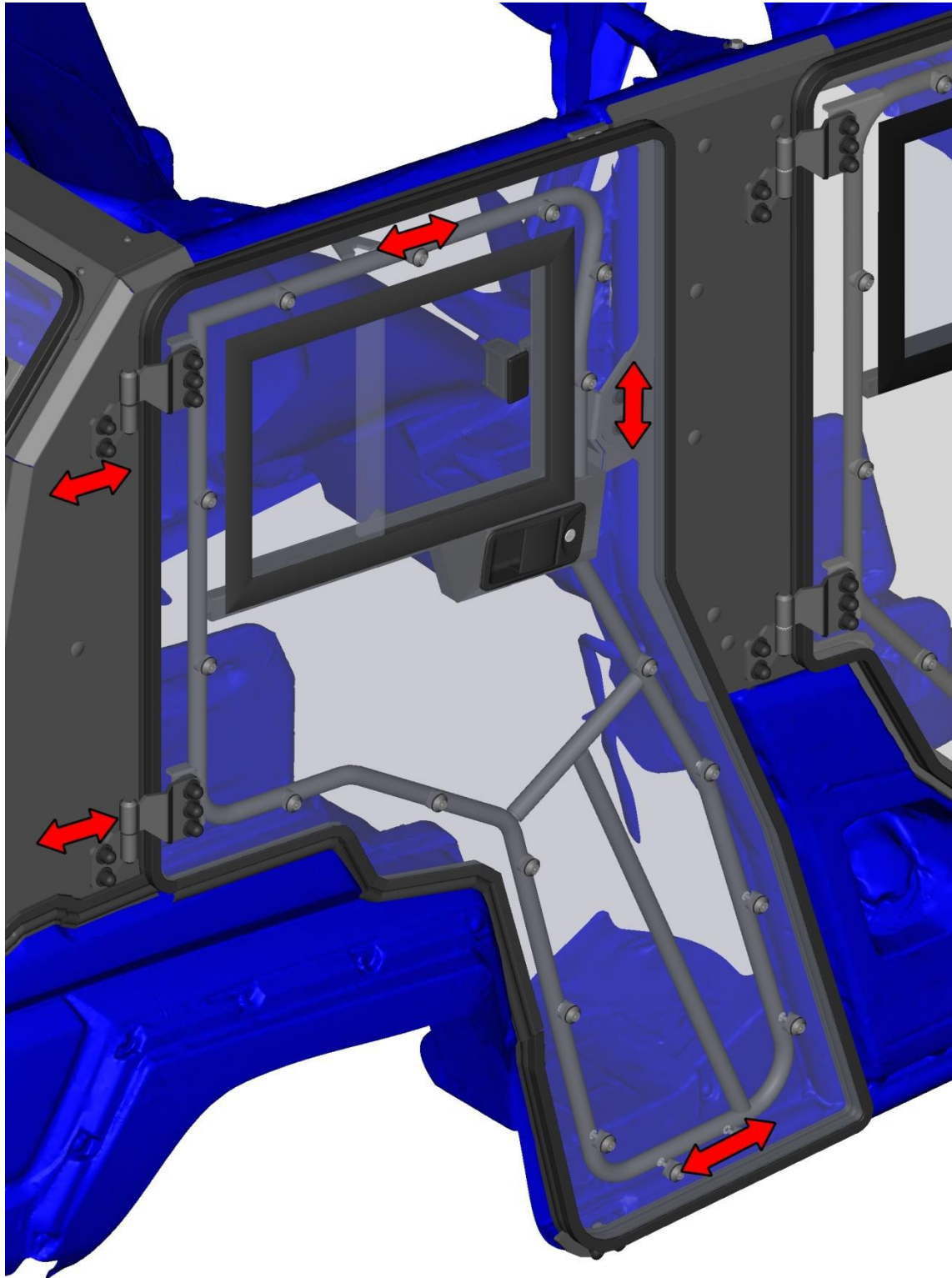


Insert the washers onto the hinges pins and lubricate the hinges pins. Place the door onto the hinges.



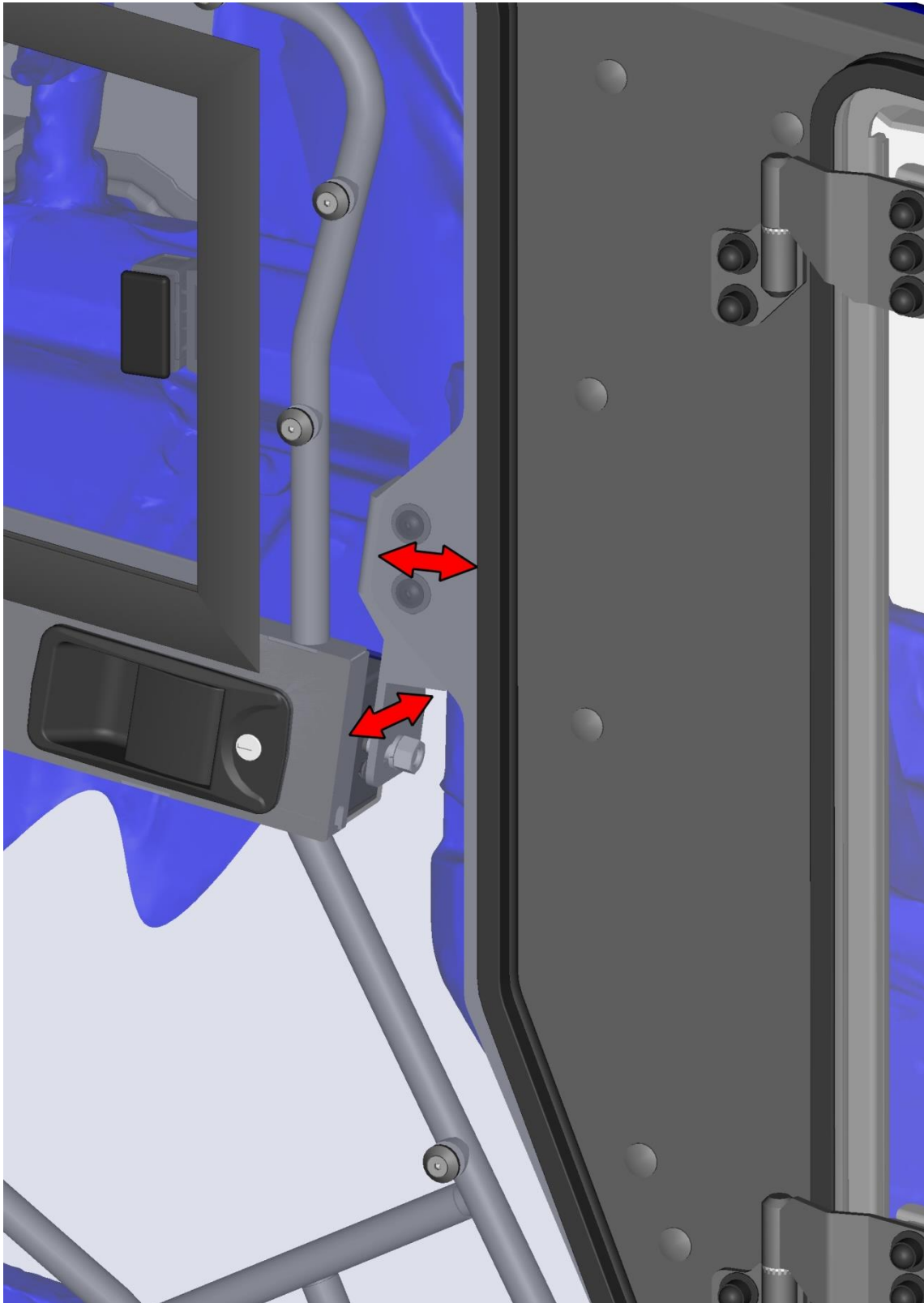
80

Adjust the door by hinges to the best position and tighten hinges screws and nuts hard.



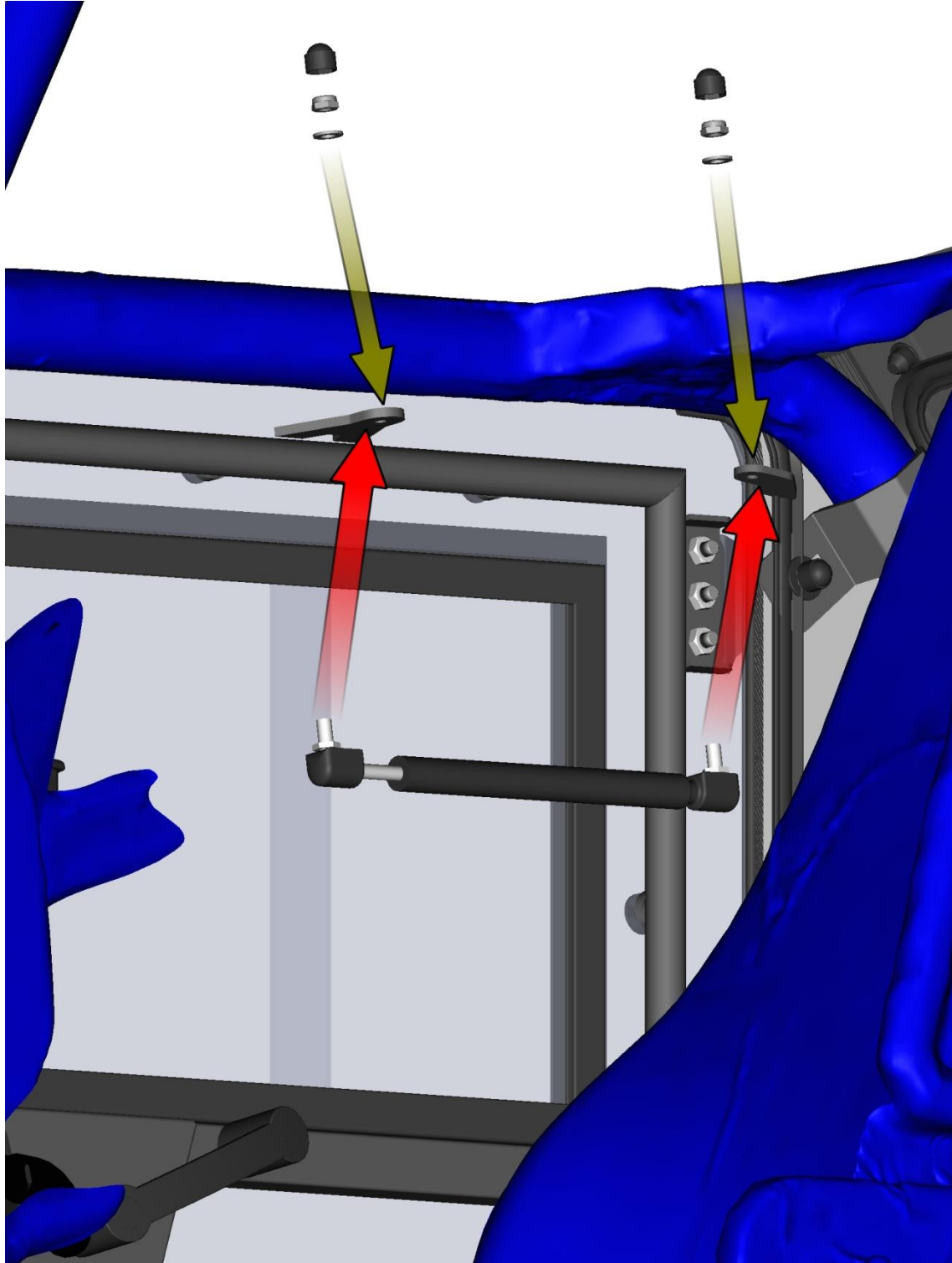
81

Adjust the door stop pin and the holder to the best locking position.



82

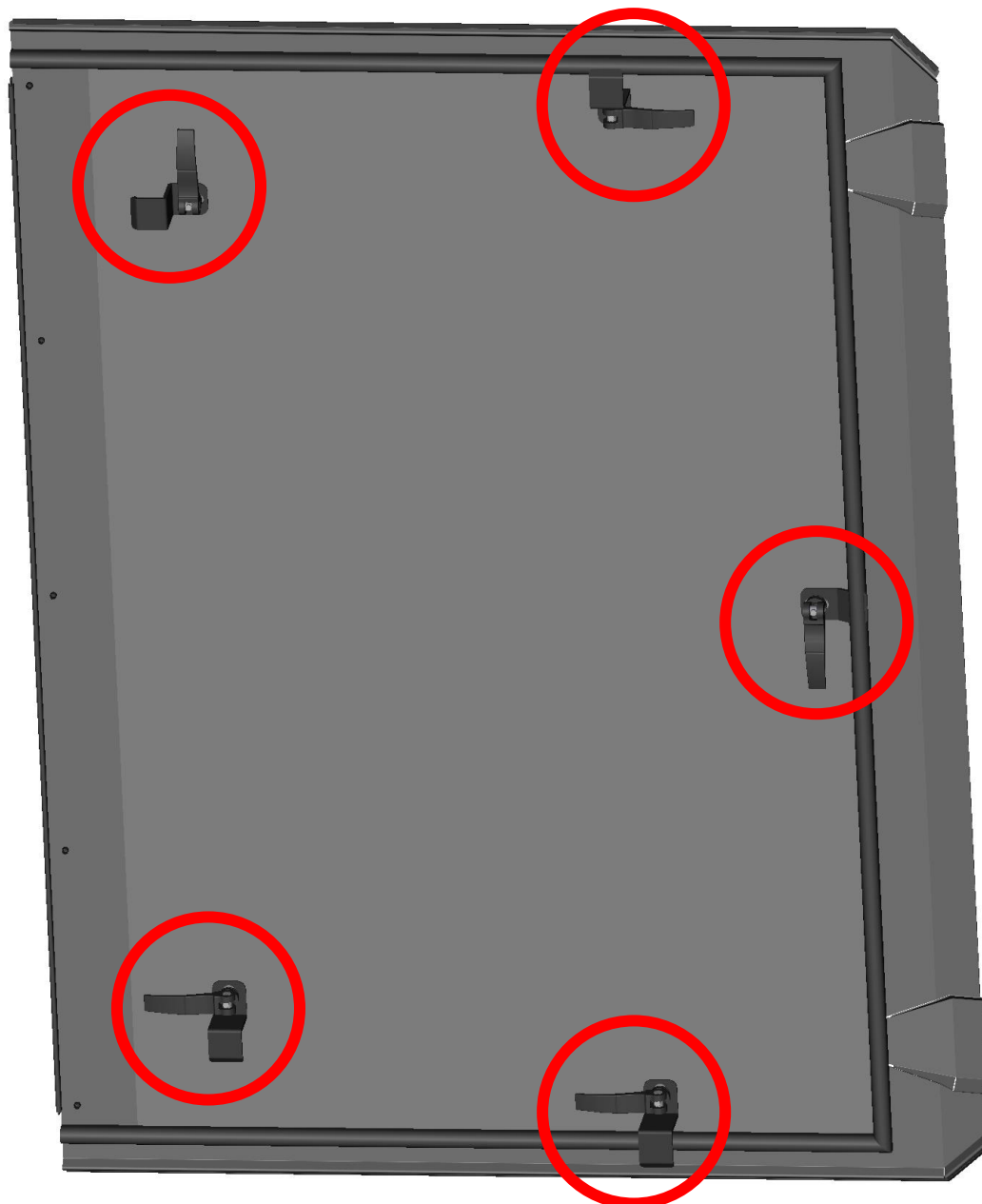
Install the gas spring into the gas spring holders by included nuts, washers and covers. **It is important to mount the gas spring in same orientation like on picture.**



Repeat previous steps on the other side.

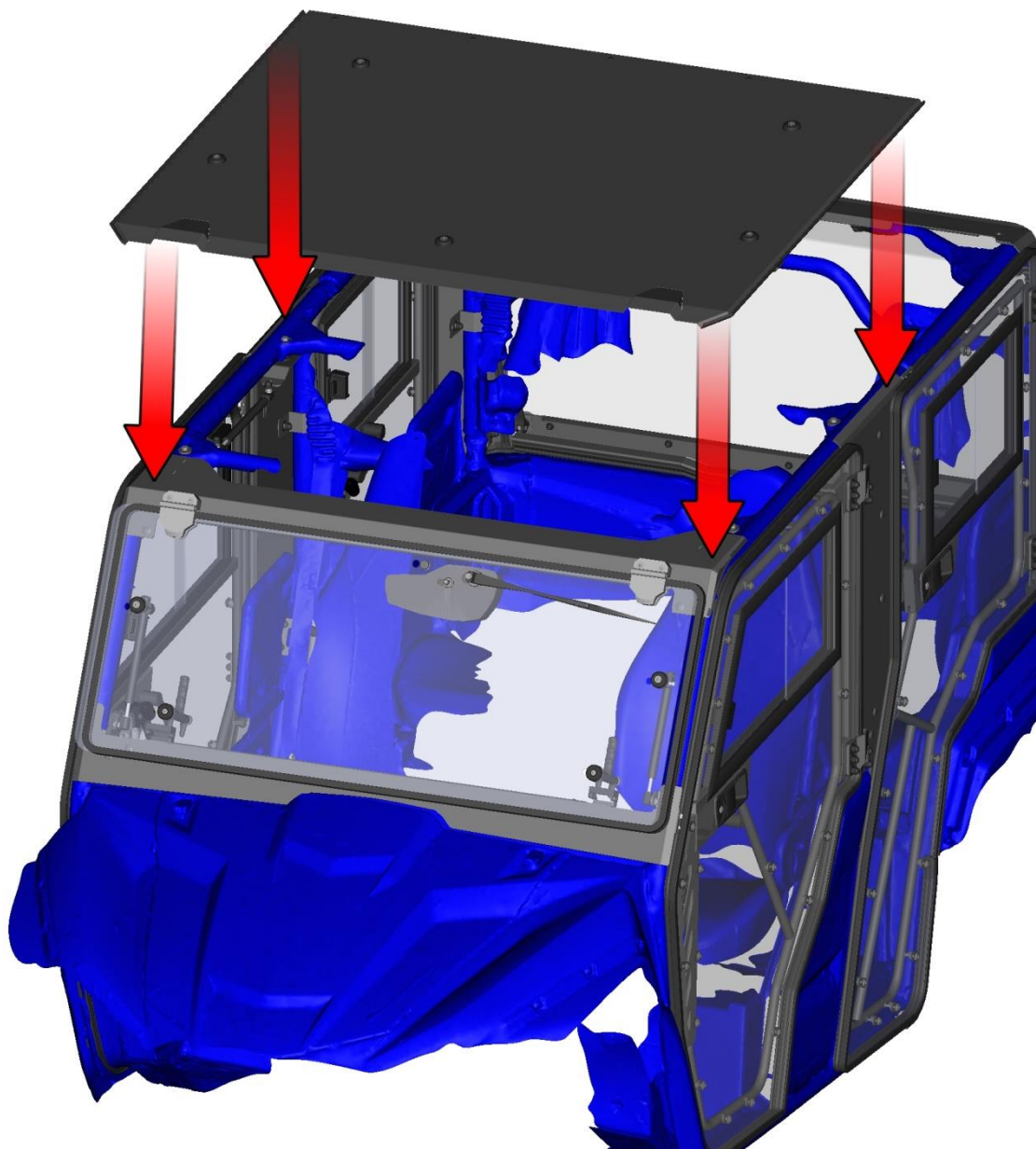
ROOF

Loose holders on front part of the roof and turn them to the neutral position.



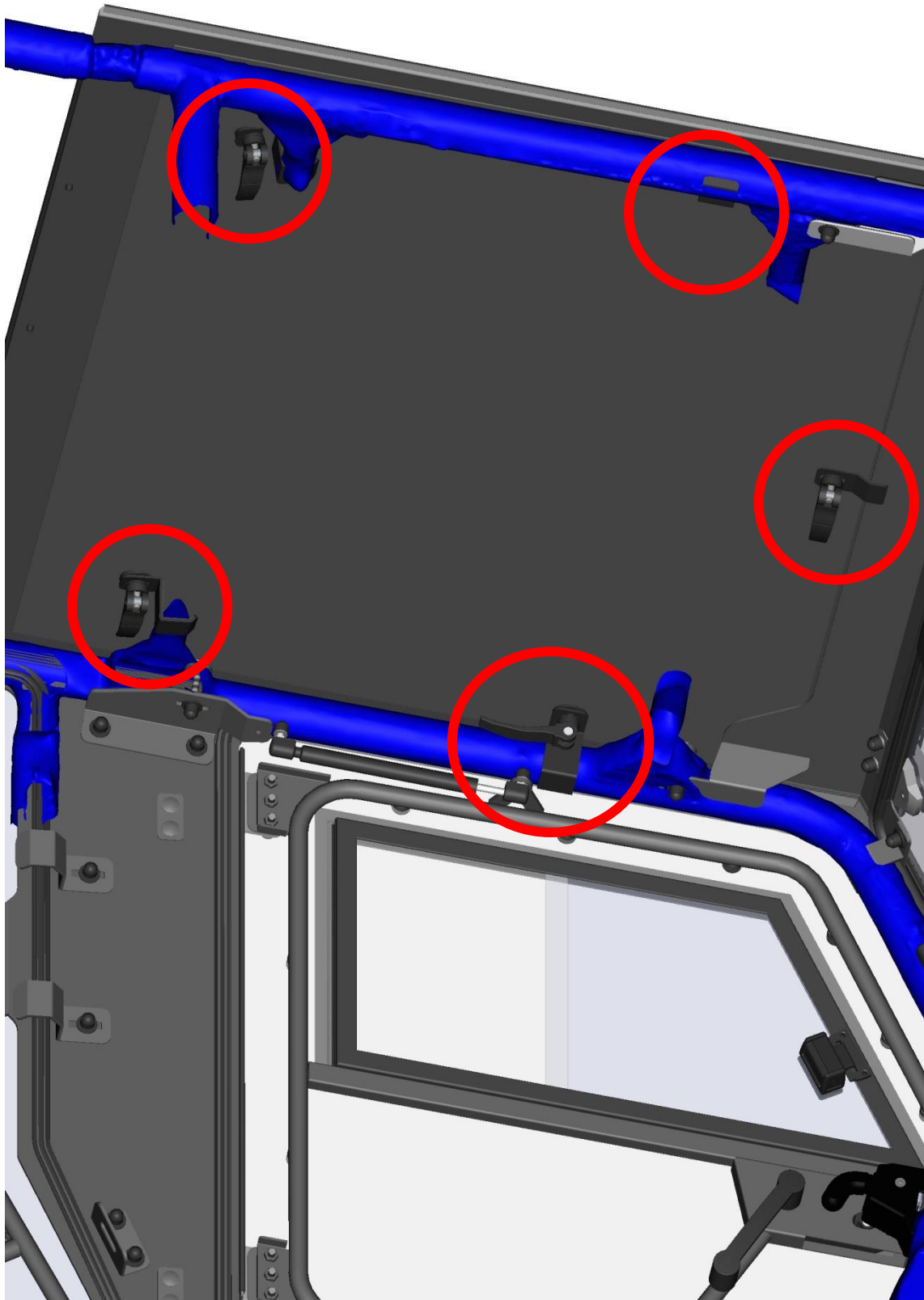
84

Place the front part of roof onto the vehicle frame and adjust it to the best position.



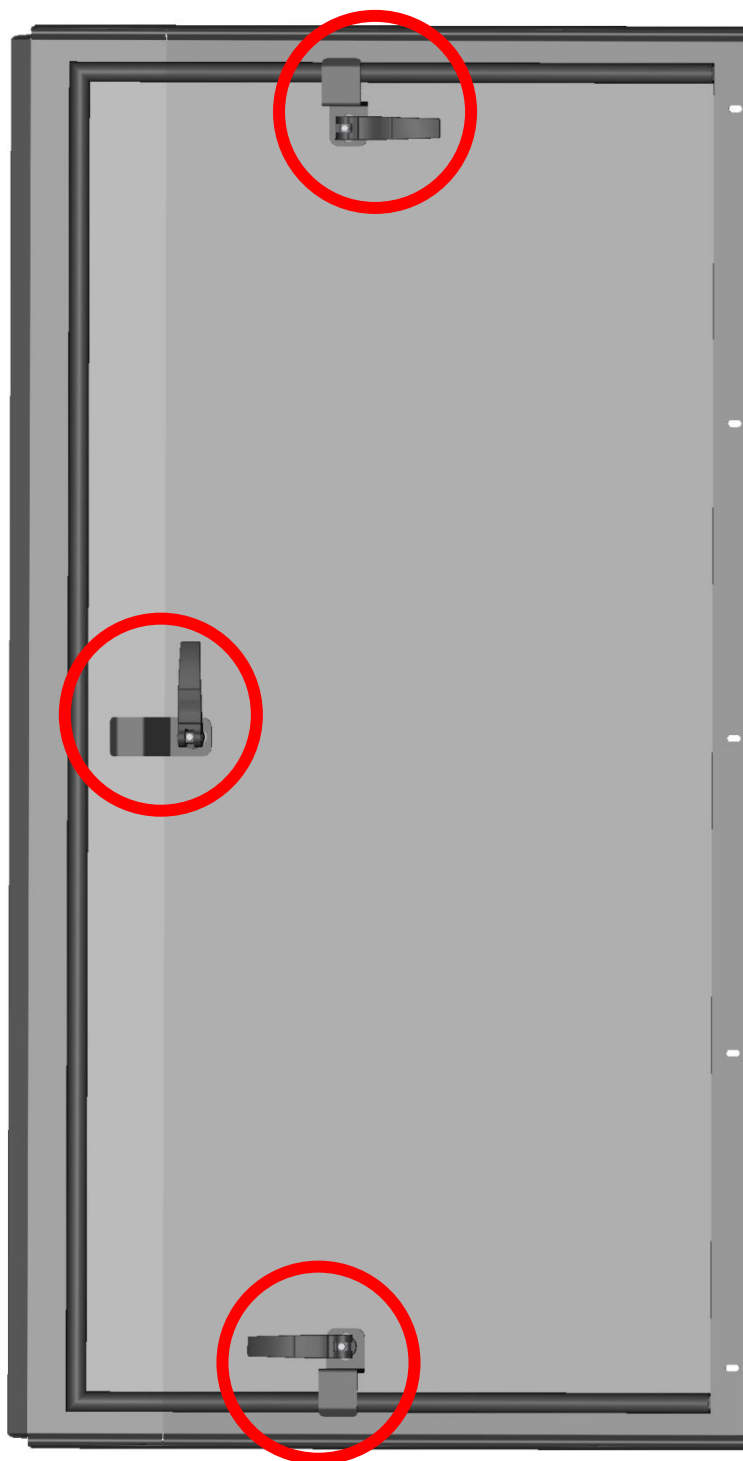
85

Turn holders to the correct position and tighten holders crews.



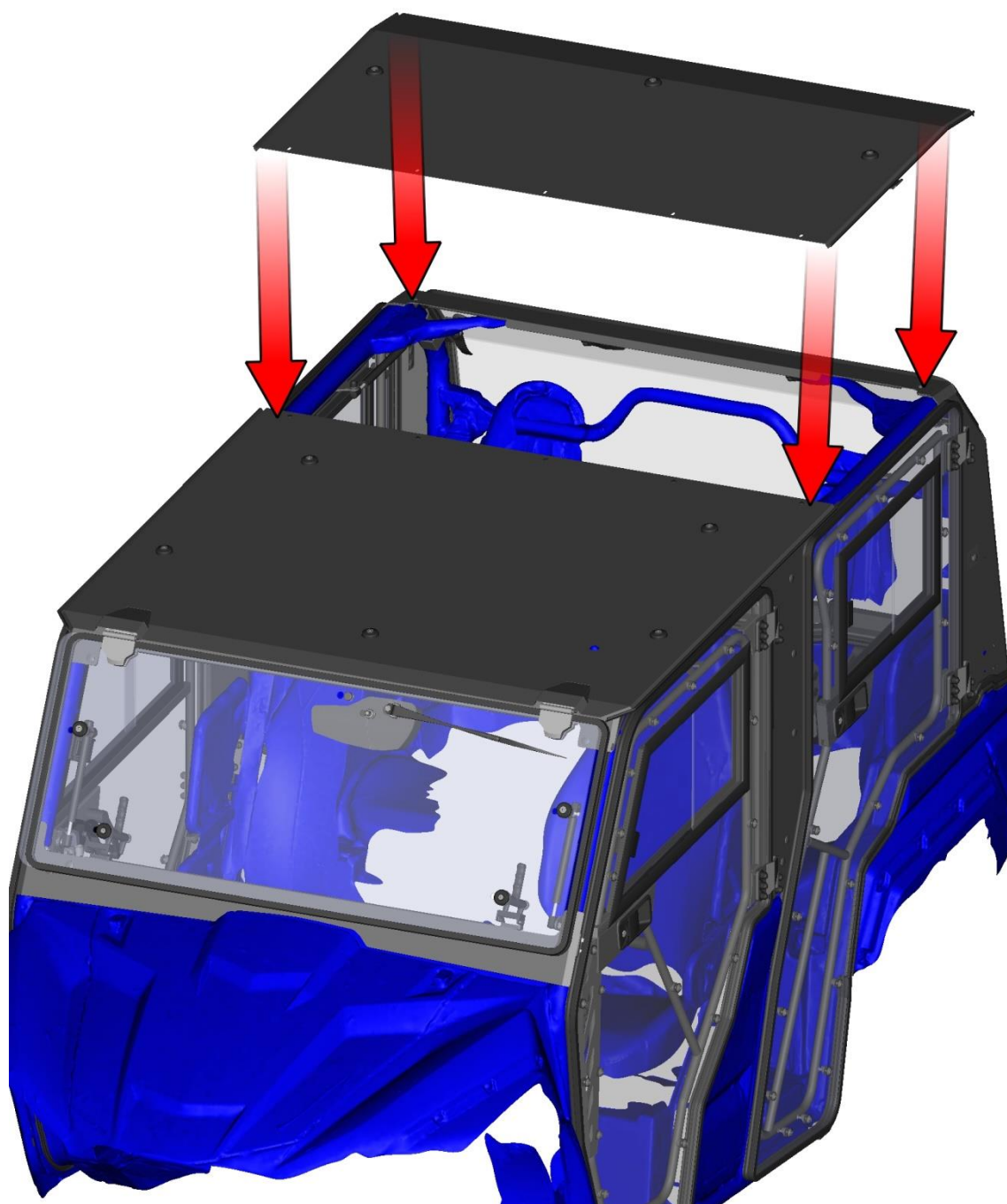
86

Loose holders on rear part of the roof and turn them to the neutral position.



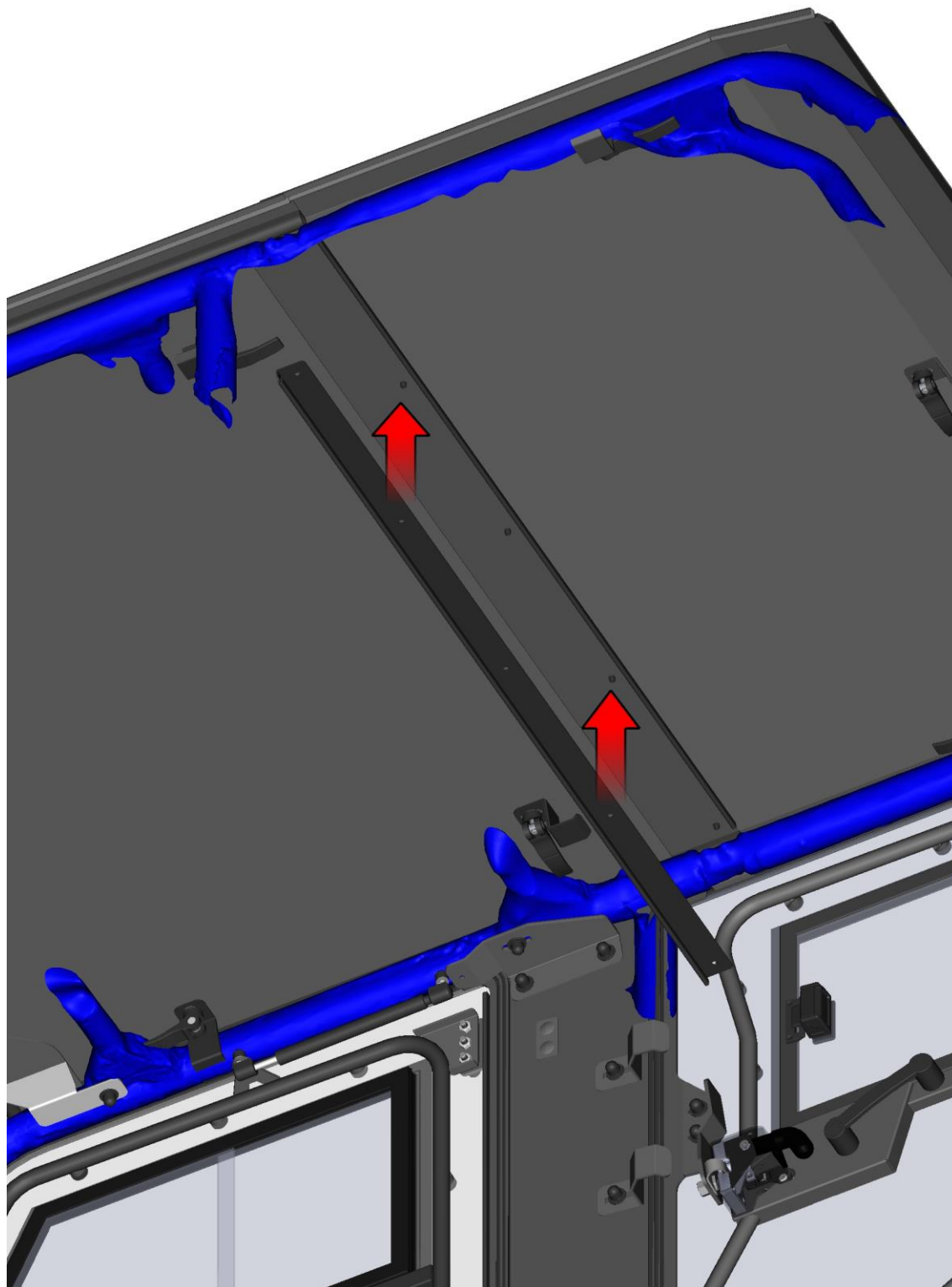
87

Place the rear part of roof onto the vehicle frame and adjust it to the best position.



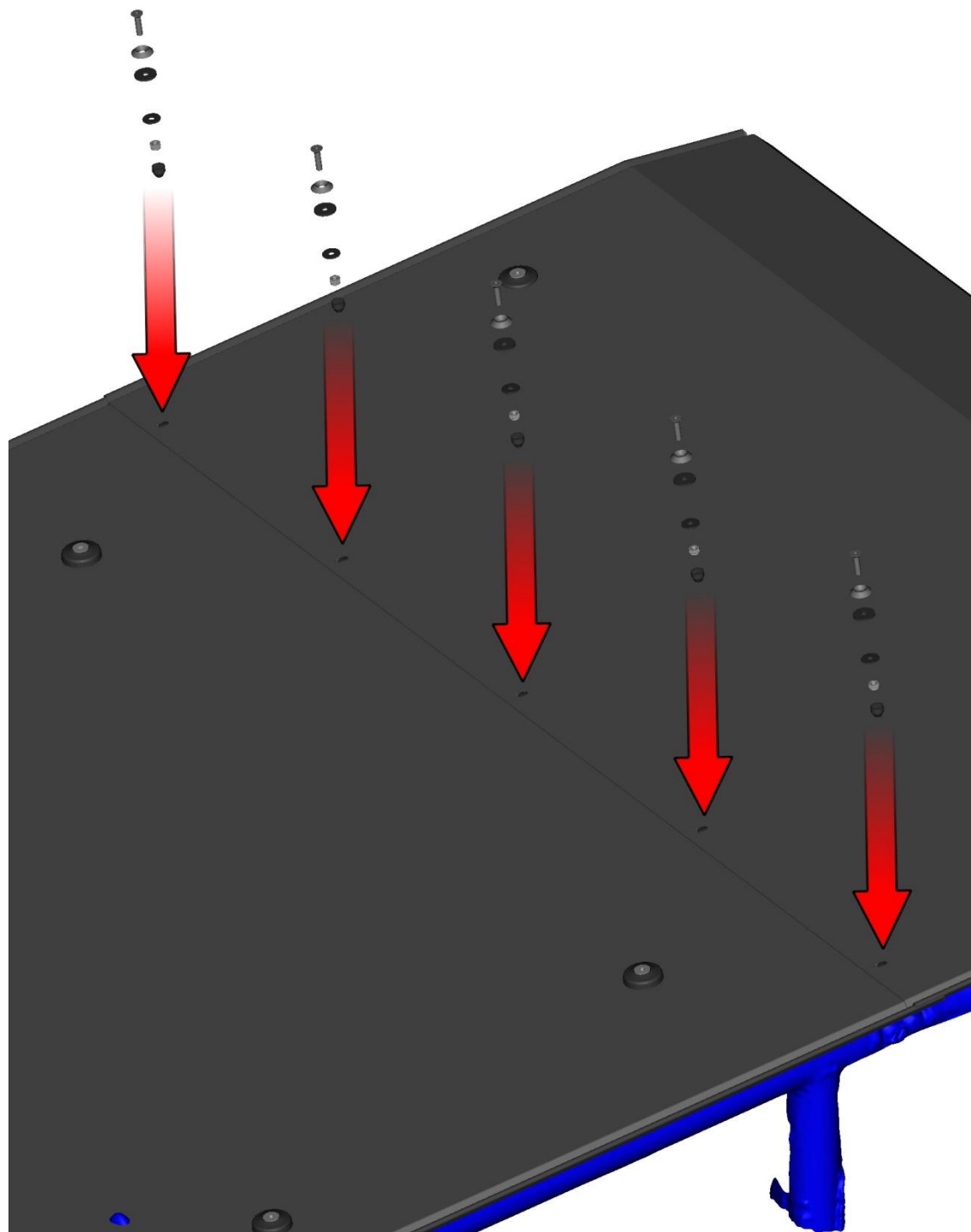
88

Place the roof ledge onto the front roof part holes from bottom side.



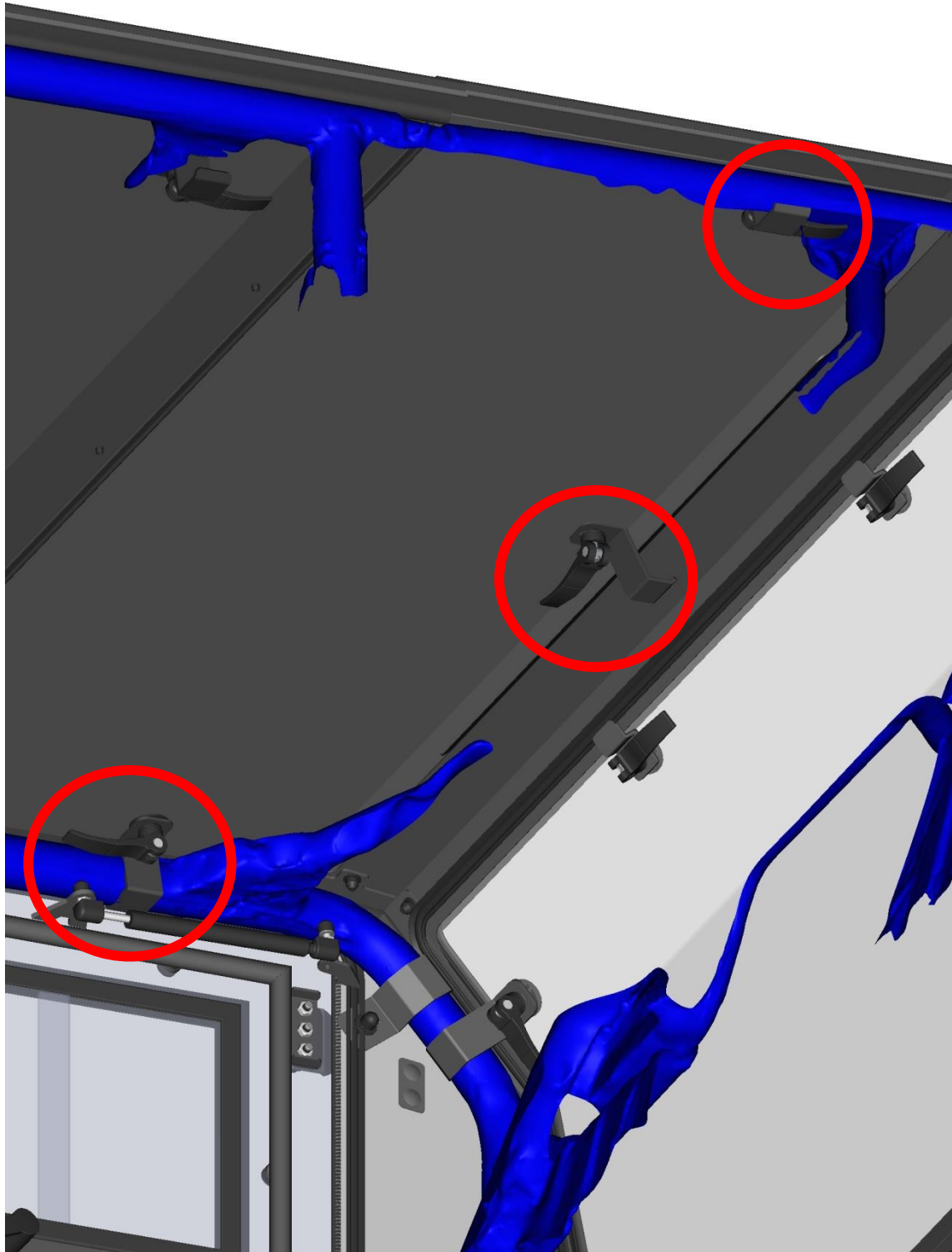
89

Connect front and rear part of the roof with roof ledge by included screws, washers, nuts and covers.



90

Turn holders to the correct position and tighten holders crews.



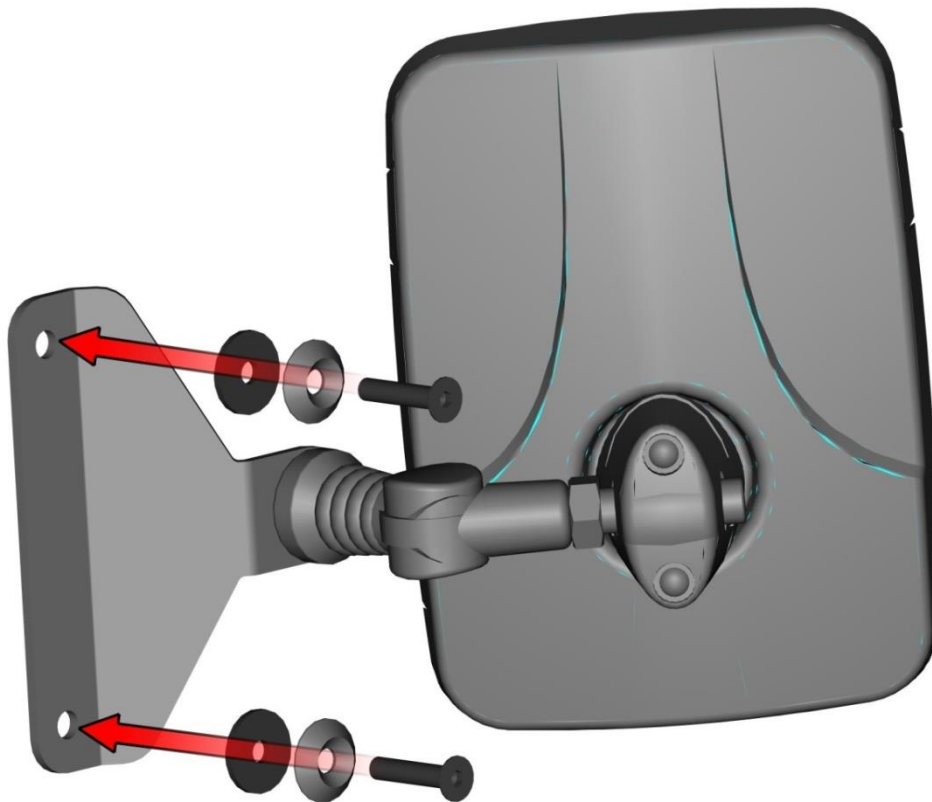
91

Mount side mirrors onto the mirror holder.



92

Mount side mirrors with holders onto the vehicle front doors.



93

BOLT TORQUE

BOLT TORQUE SPECIFICATIONS

GENERAL TORQUE SPECIFICATION TABLE

Use the following torques when special torques are not given. These values apply to fasteners as received from suppliers, dry, or when lubricated with normal engine oil. They do not apply if special graphited or moly disulphide greases or other extreme pressure lubricants are used. This applies to both UNF and UNC threads. Remember to always use grade five or better when replacing bolts.

IMPORTANT: On all PLATED GRADE 8 bolts, reduce torque 15% from listed bolt torque specification.

SAE Grade No.		2				5				8*			
Bolt head identification mark as per grade. NOTE: Manufacturing Marks Will Vary													
		TORQUE		TORQUE		TORQUE		TORQUE		TORQUE		TORQUE	
Bolt Size		Pounds Feet		Newton-Meters		Pounds Feet		Newton-Meters		Pounds Feet		Newton-Meters	
Inches	Millimeters	Min.	Max.	Min.	Max.	Min.	Max.	Min.	Max.	Min.	Max.	Min.	Max.
1/4	6.35	5	6	7	8	9	11	12	15	12	15	16	20
5/16	7.94	10	12	14	16	17	20.5	23	28	24	29	33	39
3/8	9.53	20	23	27	31	35	42	48	57	45	54	61	73
7/16	11.11	30	35	41	47	54	64	73	87	70	84	95	114
1/2	12.70	45	52	61	70	80	96	109	130	110	132	149	179
9/16	14.29	65	75	88	102	110	132	149	179	160	192	217	260
5/8	15.88	95	105	129	142	150	180	203	244	220	264	298	358
3/4	19.05	150	185	203	251	270	324	366	439	380	456	515	618
7/8	22.23	160	200	217	271	400	480	542	651	600	720	814	976
1	25.40	250	300	339	406	580	696	787	944	900	1080	1220	1464
1-1/8	25.58	-	-	-	-	800	880	1085	1193	1280	1440	1736	1953
1-1/4	31.75	-	-	-	-	1120	1240	1519	1681	1820	2000	2468	2712
1-3/8	34.93	-	-	-	-	1460	1680	1980	2278	2380	2720	3227	3688
1-1/2	38.10	-	-	-	-	1940	2200	2631	2983	3160	3560	4285	4827

*Thick Nuts must be used with Grade 8 bolts

METRIC BOLT TORQUE SPECIFICATIONS

Size of Screw	Property Class	Course Thread			Fine Thread		
		Pitch (mm)	Pounds Feet	Newton-Meters	Pitch (mm)	Pounds Feet	Newton-Meters
M6	5.6	1.0	3.6-5.8	4.9-7.9	-	-	-
	8.8		5.8-9.4	7.9-12.7		-	-
	10.9		7.2-10	9.8-13.6		-	-
M8	5.6	1.25	7.2-14	9.8-19	1.0	12-17	16.3-23
	8.8		17-22	23-29.8		19-27	25.7-36.6
	10.9		20-26	27.1-35.2		22-31	29.8-42
M10	5.6	1.5	20-25	27.1-33.9	1.25	20-29	27.1-39.3
	8.8		34-40	46.1-54.2		35-47	47.4-63.7
	10.9		38-46	51.5-62.3		40-52	54.2-70.5
M12	5.6	1.75	28-34	37.9-46.1	1.25	31-41	42-55.6
	8.8		51-59	69.1-79.9		55-68	75.9-92.1
	10.9		57-66	77.2-89.4		62-75	84-101.6
M14	5.6	2.0	49-56	66.4-75.9	1.5	52-64	70.5-86.7
	8.8		81-93	109.8-126		90-106	122-143.6
	10.9		96-109	130.1-147.7		107-124	145-168
M16	5.6	2.0	67-77	90.8-104.3	1.5	69-83	93.6-112.5
	8.8		116-130	157.2-176.2		120-138	162.6-187
	10.9		129-145	174.8-196.5		140-158	189.7-214.1
M18	5.6	2.0	88-100	119.2-136	1.5	100-117	136-158.5
	8.8		150-168	203.3-227.6		177-199	239.8-269.6
	10.9		175-194	237.1-262.9		202-231	273.7-313
M20	5.6	2.5	108-130	146.3-176.2	1.5	132-150	178.9-203.3
	8.8		186-205	252-277.8		206-242	279.1-327.9
	10.9		213-249	288.6-337.4		246-289	333.3-391.6



Declaration of Conformity



DFK Cab, s.r.o.

Za Olšávkou 391

686 01 Uherské Hradiště

Česká republika / Czech Republic

Date of Issue: 27-10-2020