



SPARE - PARTS CATALOGUE

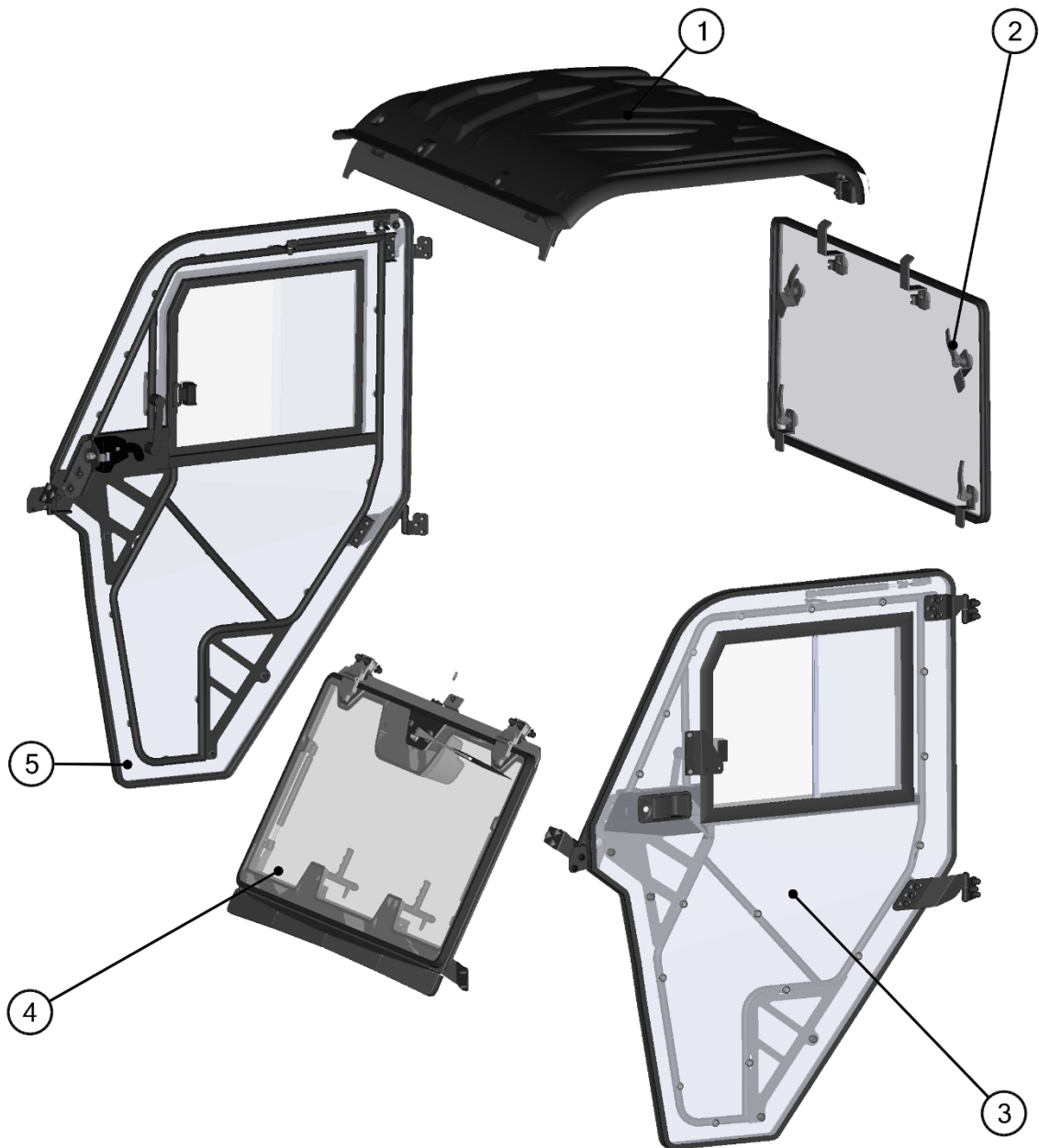
CF MOTO

U-FORCE 600

CAB PREVIEW

2

ALL PANELS



3

ID	Catalog no.	Description	Qty
1	64S09U01S30	ROOF	1
2	64S09U01S20	REAR PANEL	1
3	64S09U01S40	LEFT DOOR	1
4	64S09U01S10	FRONT PANEL	1
5	64S09U01S50	RIGHT DOOR	1
-	-----	ELECTROINSTALLATION	1

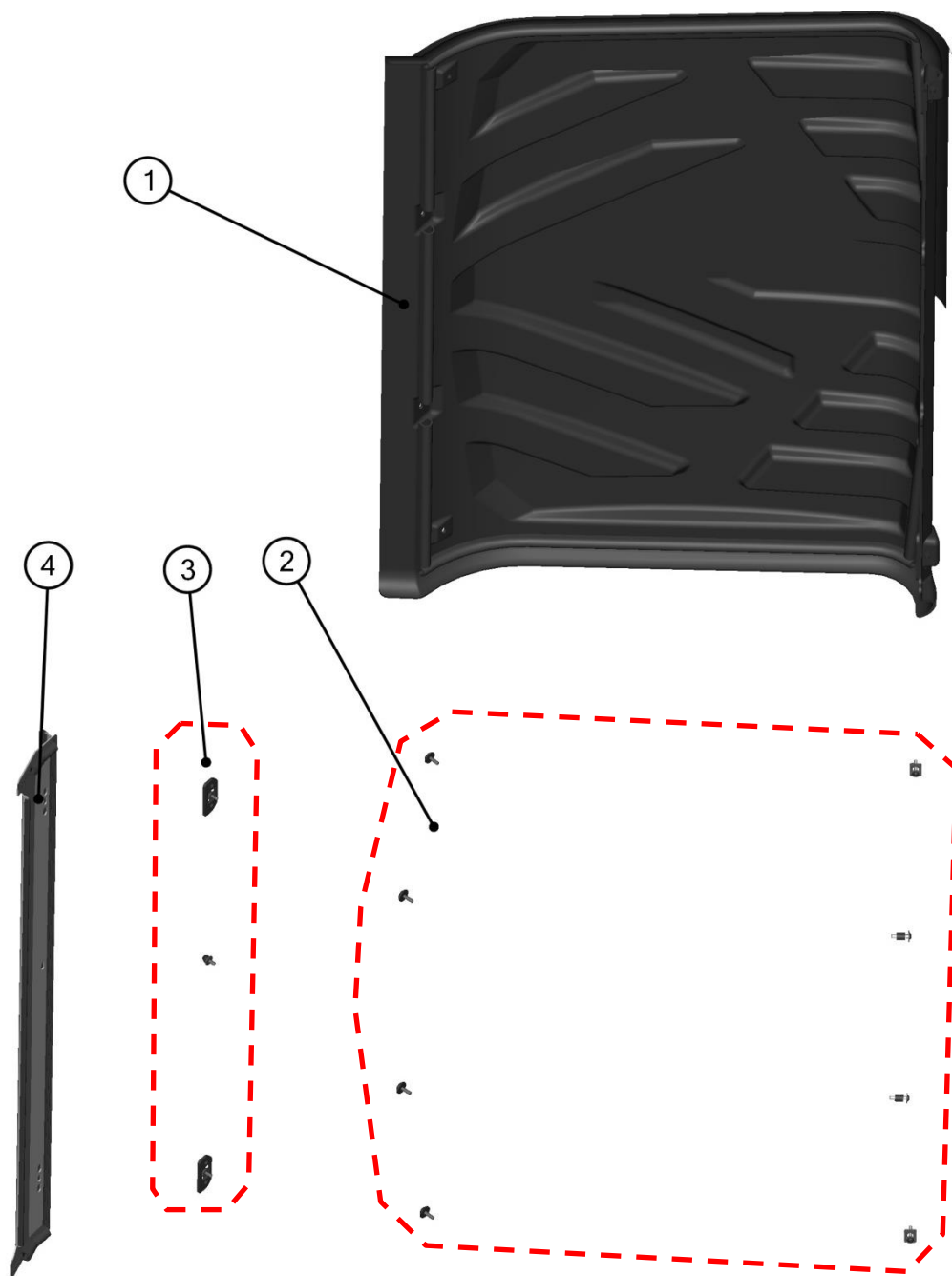
Page
5
7
14
9
19
23

Price

ROOF PANEL

4

ROOF PANEL ASSEMBLIES



ID	Catalog no.	Description	Qty	Price
1	64S09U01-30M001	ROOF PANEL	1	
2	64S09U01-30PKM001	ROOF HARDWARE KIT	1	
3	64S09U01-30PKM002	ROOF FRONT HARDWARE KIT	1	
4	64S09U01-30M008	ROOF FRONT LEDGE	1	

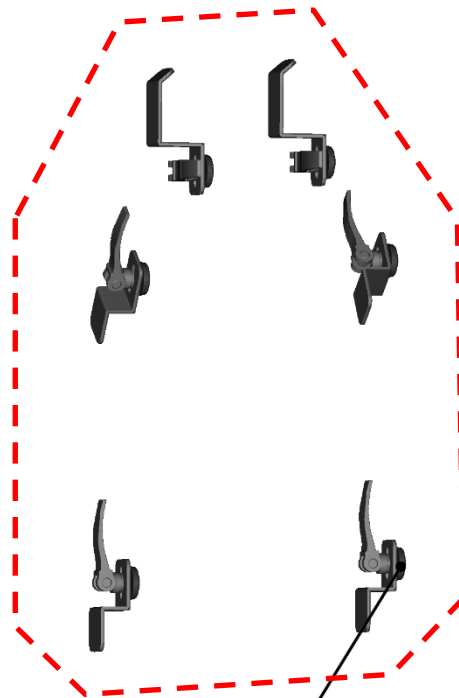
REAR PANEL

6

REAR PANEL ASSEMBLIES



2

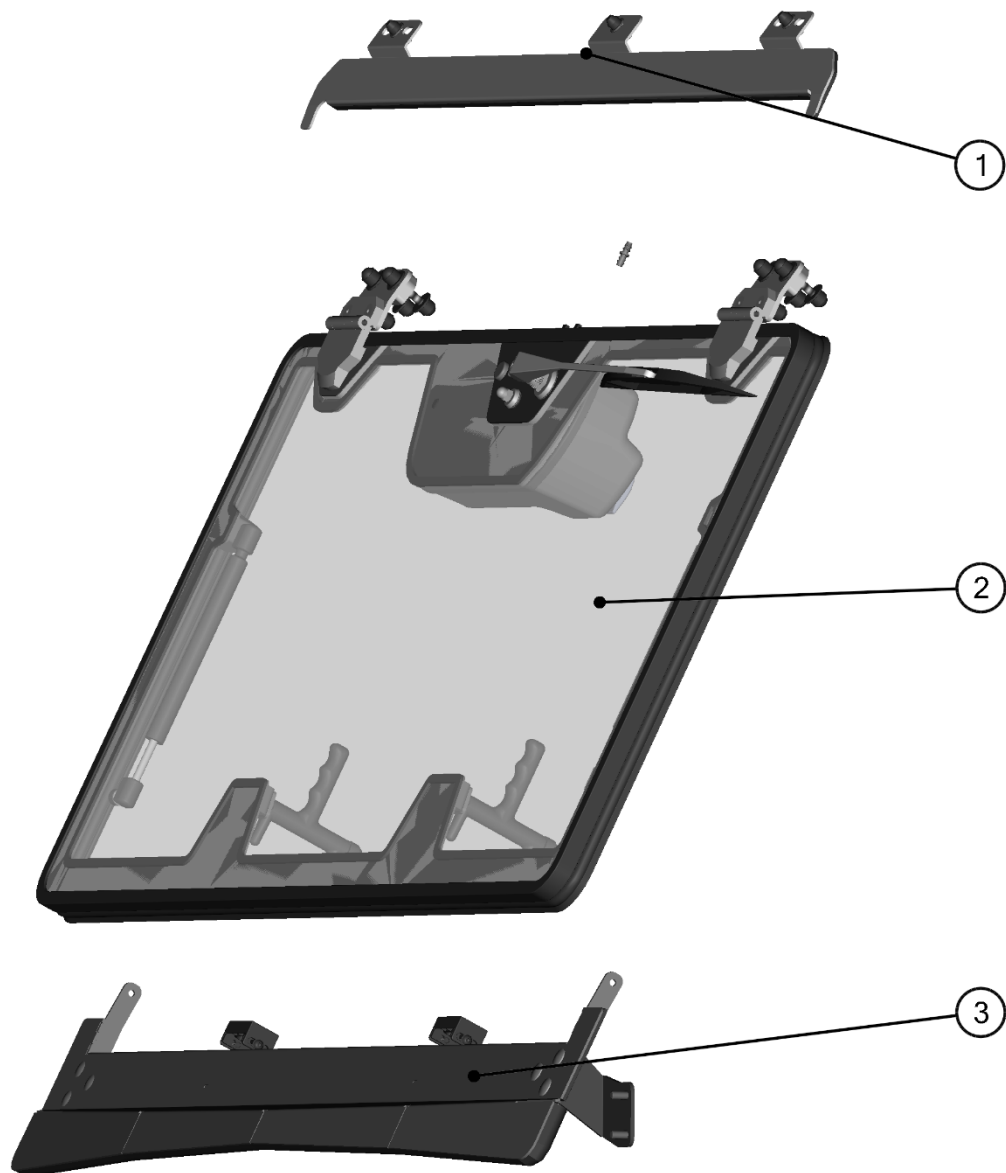


1

ID	Catalog no.	Description	Qty
1	64S09U01-20PKM001	REAR HOLDERS KIT	1
2	64S09U01-20M001	REAR GLASS WITH SEALING	1

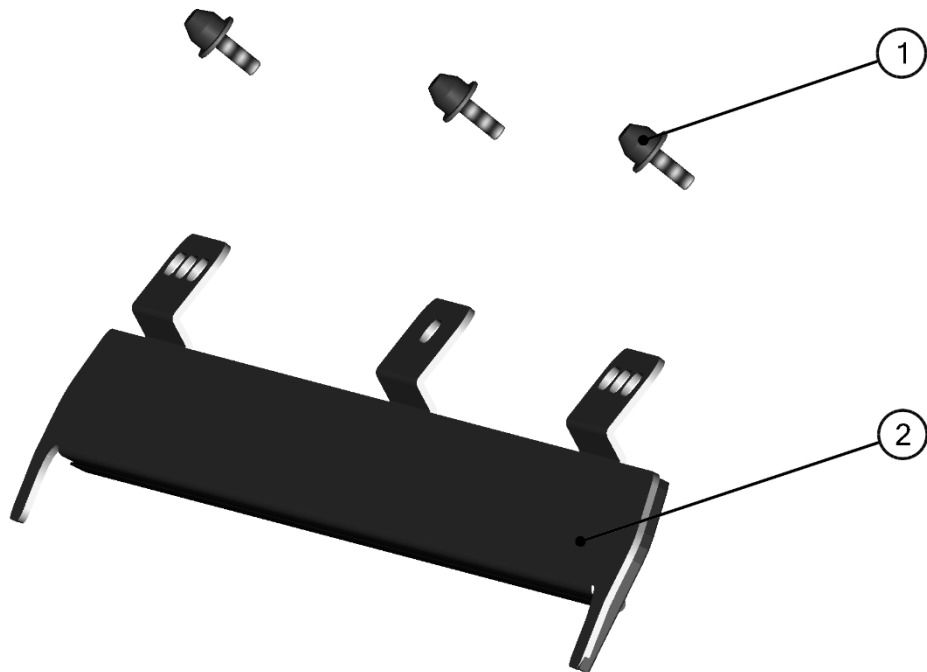
Price

FRONT PANEL

FRONT PANEL ASSEMBLIES

9

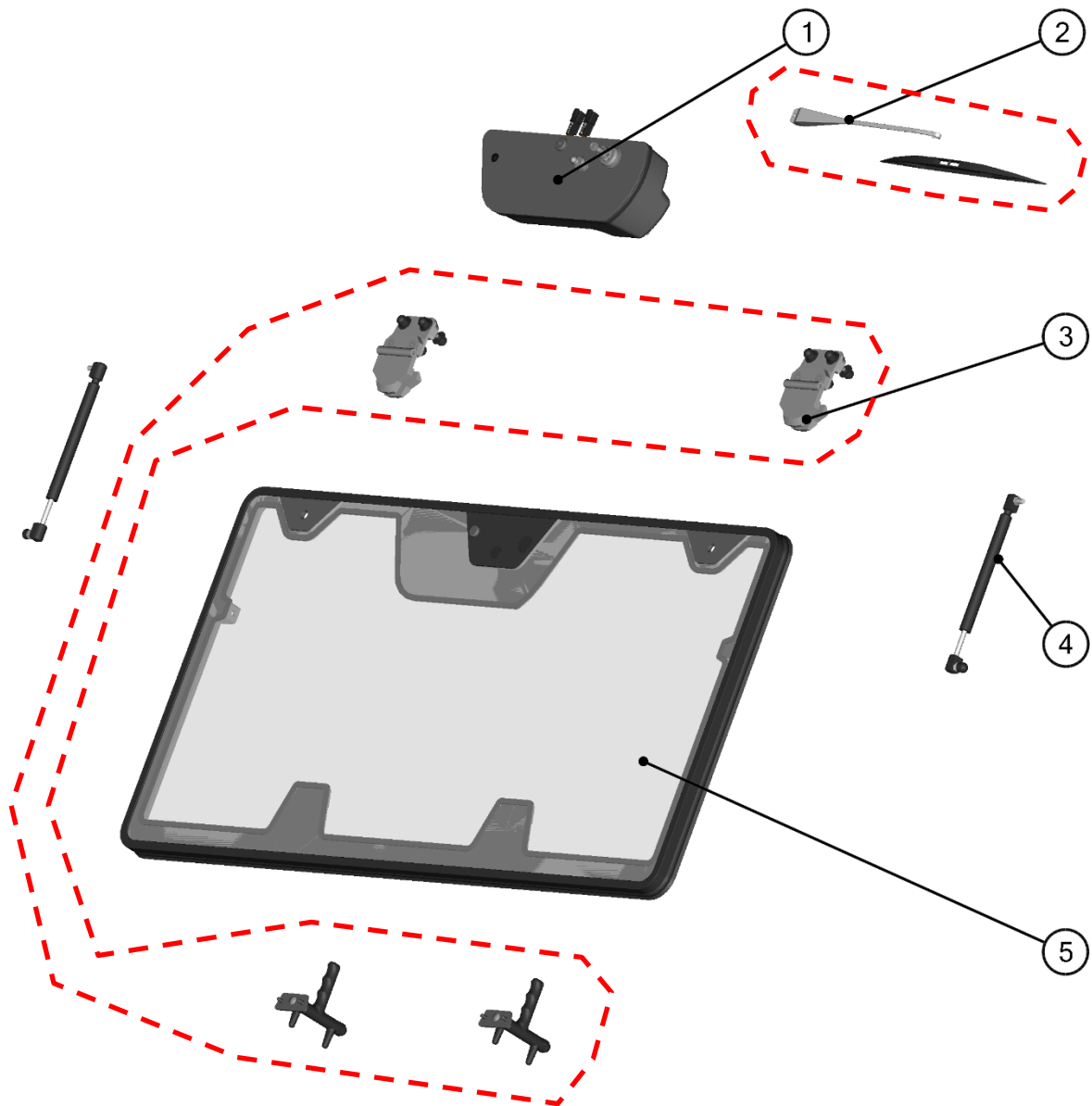
FRONT WINDOW ASSEMBLIES



10

ID	Catalog no.	Description	Qty	Price
1	64S09U01-10PKM001	FRONT UPPER FIXING KIT	1	
2	64S09U01-10M007	FRONT UPPER LEDGE	1	

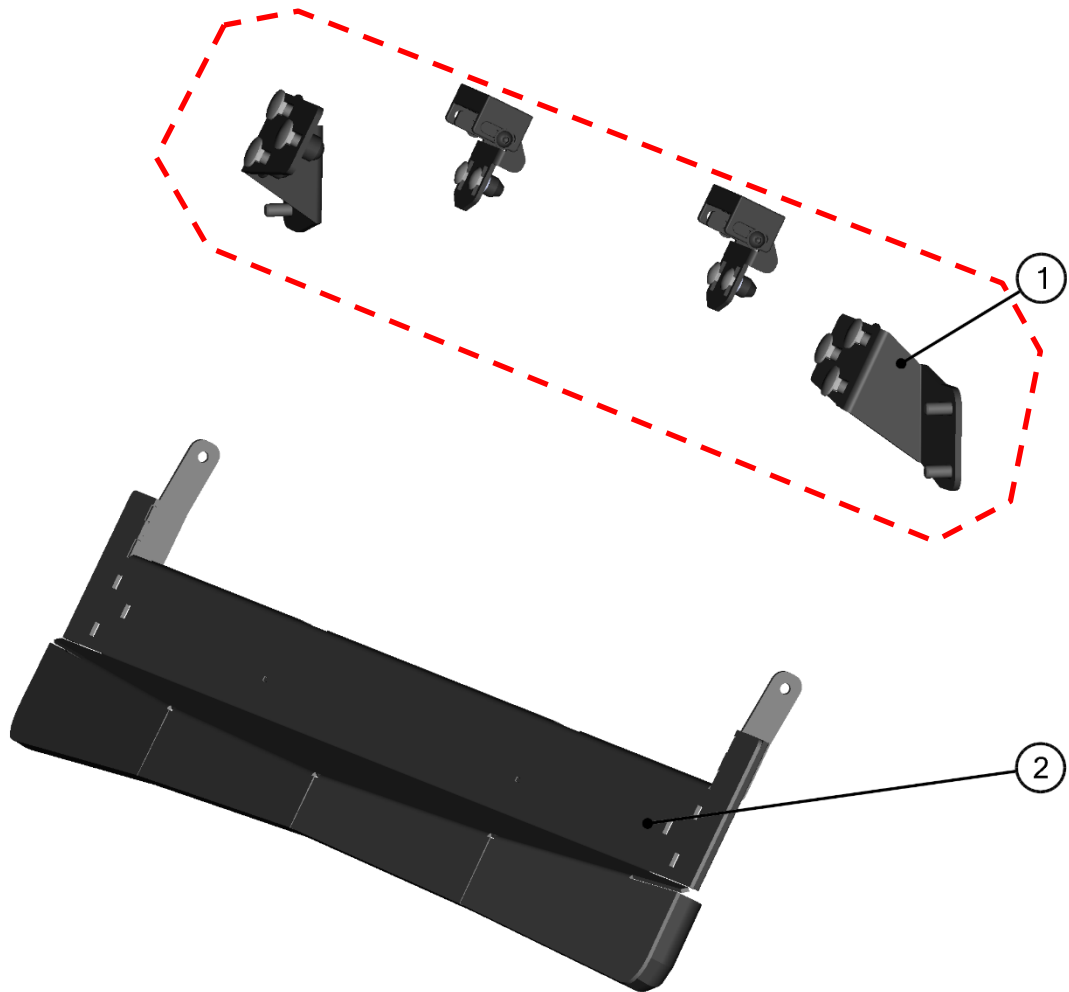
FRONT WINDOW ASSEMBLIES



ID	Catalog no.	Description	Qty
1	64S03U01-01M004	FRONT WIPER MOTOR ASSEMBLY	1
2	64S09U01-10PKM002	FRONT WIPER ARM WITH BLADE KIT	1
3	64S09U01-10PKM003	FRONT WINDOW HARDWARE KIT	1
4	64S09U01-10M008	FRONT GAS SPRING	1
5	64S09U01-10M001	FRONT WINDOW ASSEMBLY	1

Price

FRONT LEDGES ASSEMBLIES



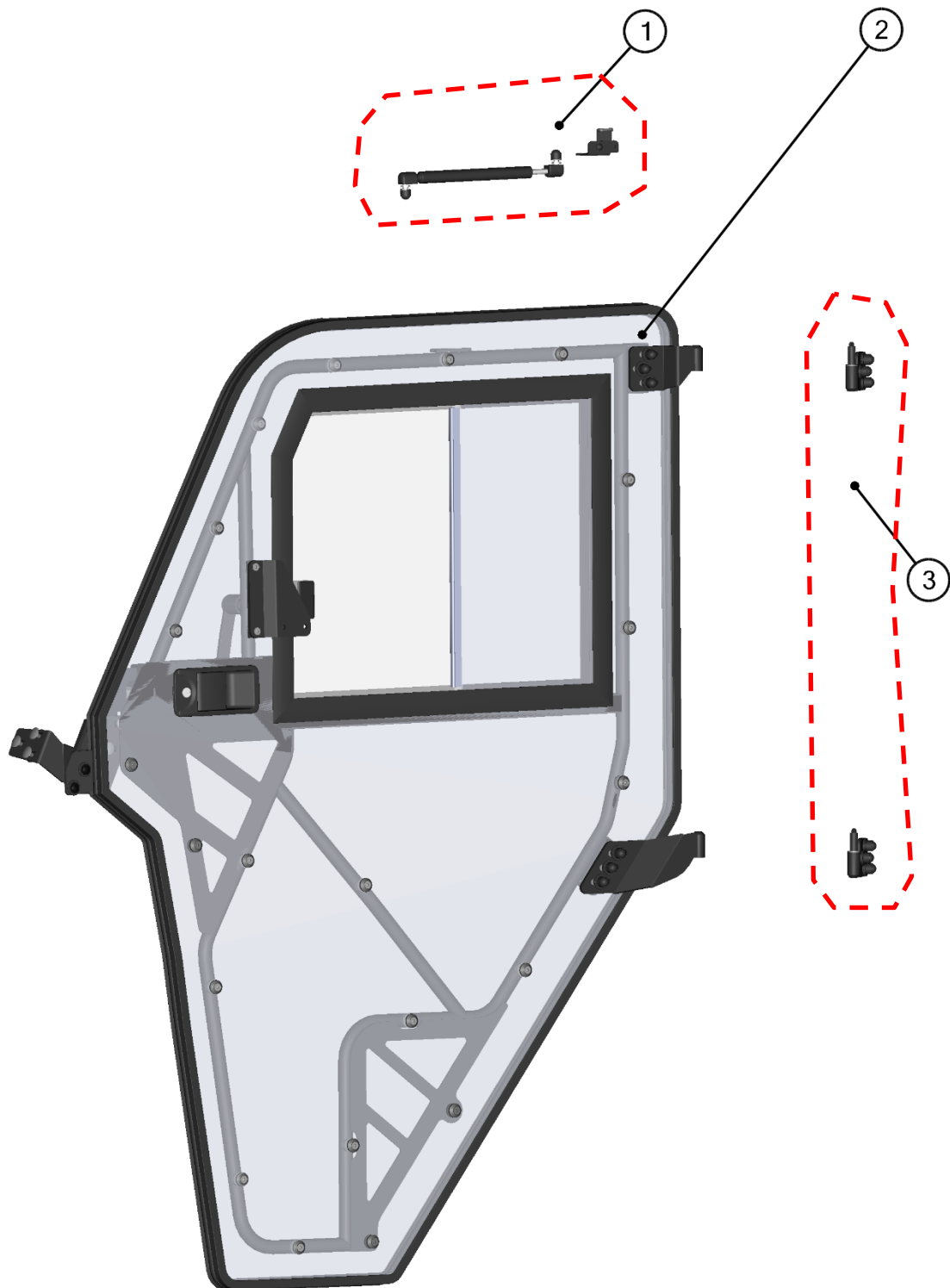
12

ID	Catalog no.	Description	Qty	Price
1	64S09U01-10PKM004	FRONT BOTTOM HARDWARE KIT	1	
2	64S09U01-10M010	FRONT BOTTOM LEDGE ASSEMBLY	1	

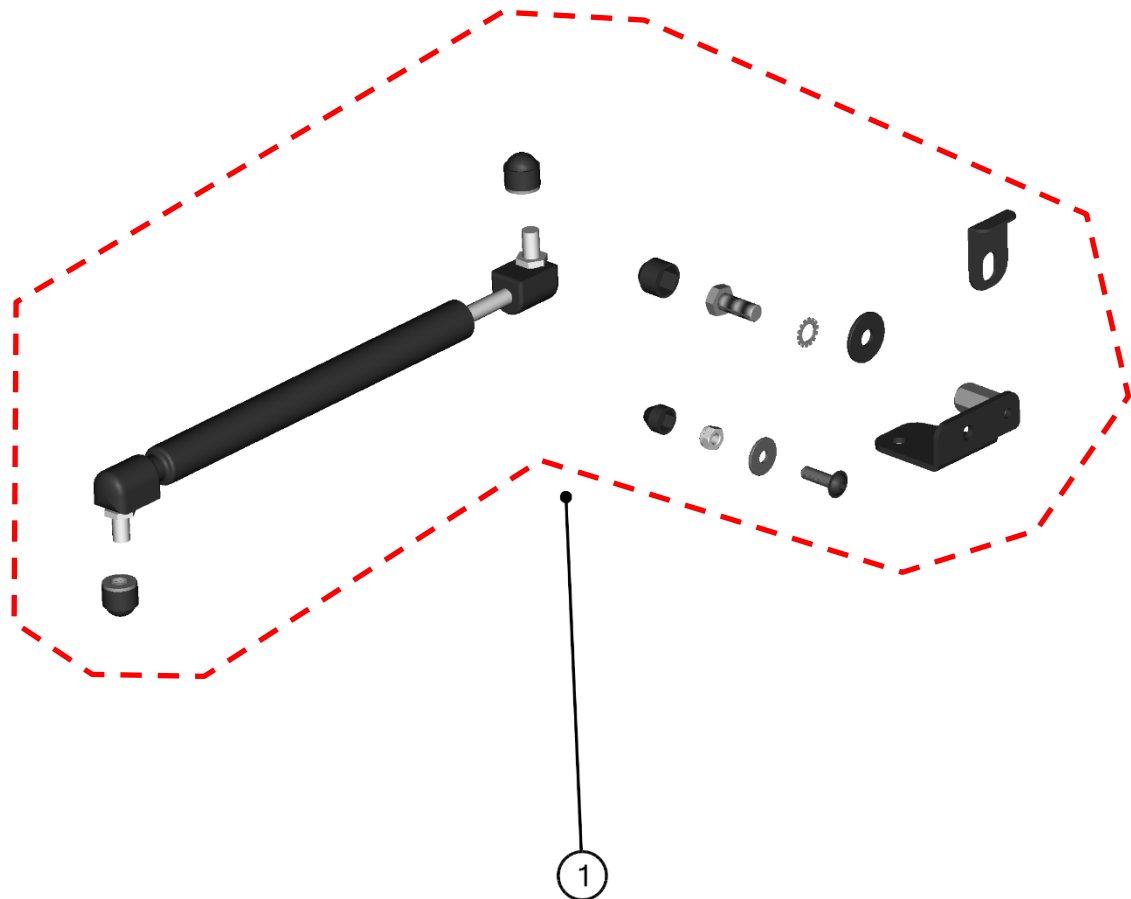
LEFT DOOR

13

LEFT DOOR ASSEMBLIES



LEFT GAS SPRING ASSEMBLY

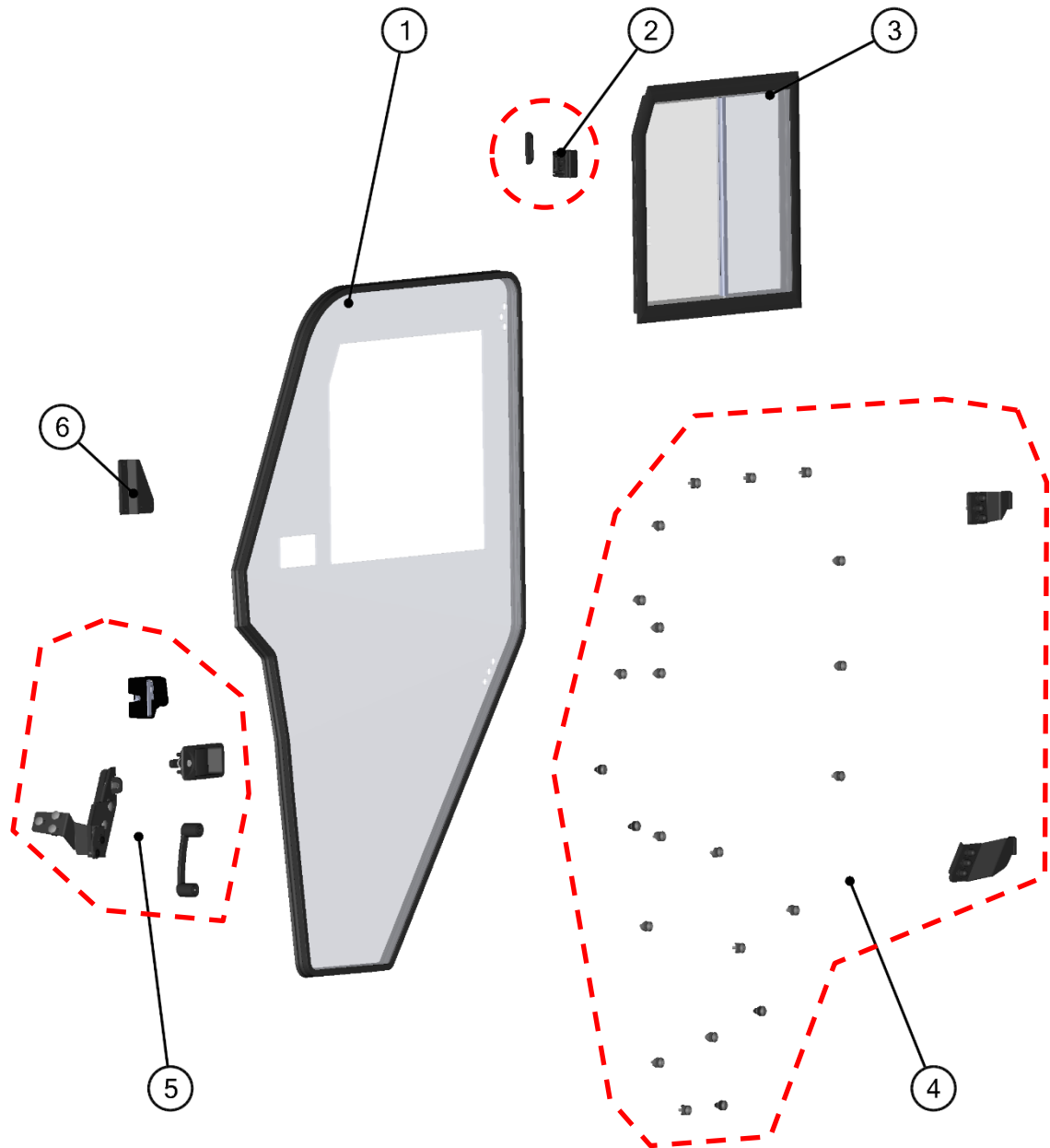


15

ID	Catalog no.	Description	Qty
1	64S09U01-40PKM001	LEFT GAS SPRING ASSEMBLY	1

Price

LEFT DOOR ASSEMBLY



16

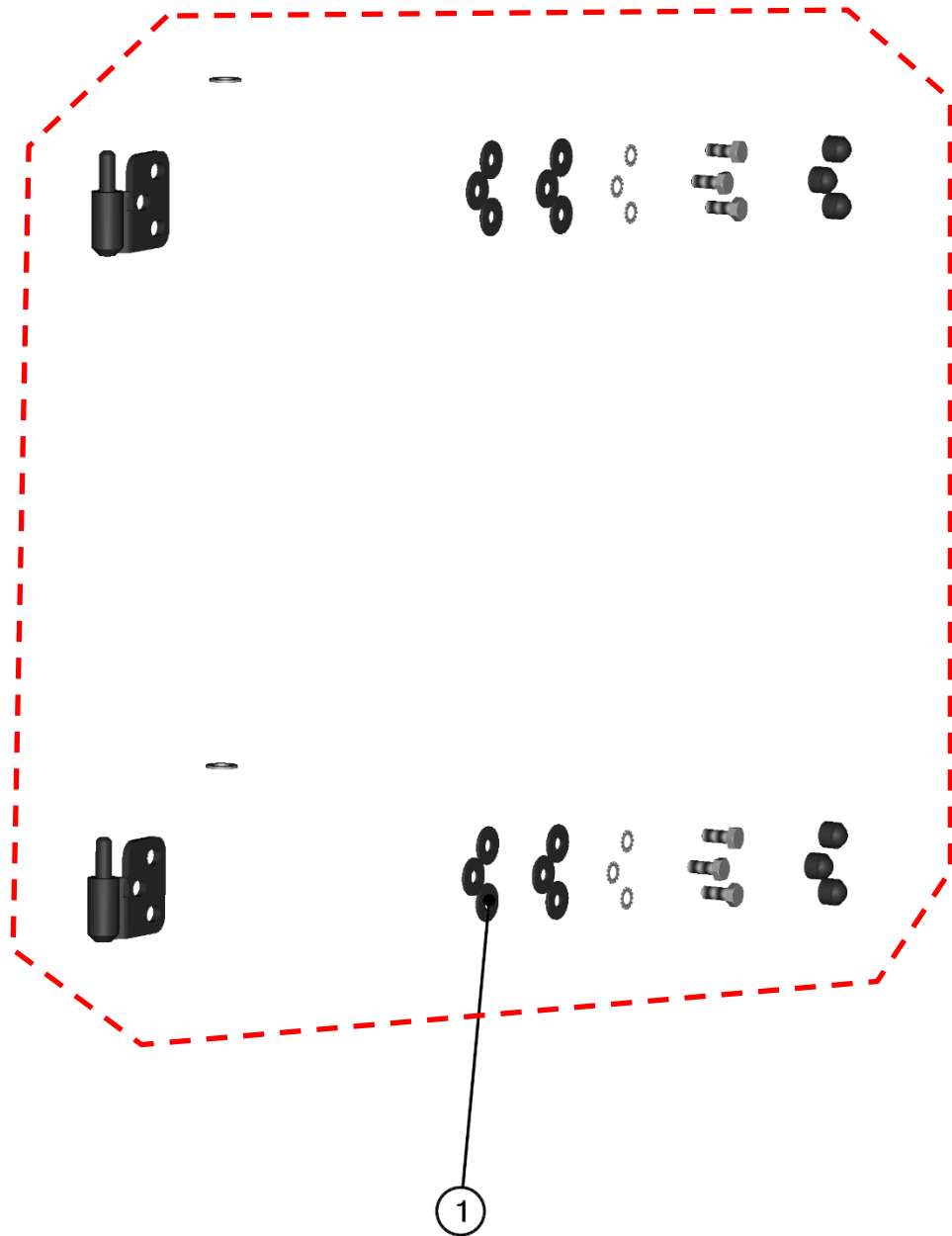
ID	Catalog no.	Description	Qty	Price
1	64S09U01-40M003	LEFT DOOR POLY WITH SEALING	1	
2	64S07U01-40PKM004	GLASS LOCK + STOP KIT	1	
3	64S09U01-40M002	LEFT DOOR WINDOW ASSEMBLY	1	
4	64S09U01-40PKM002	LEFT HINGES AND FIXING KIT	1	
5	64S09U01-40PKM003	LEFT DOOR LOCK AND STOP KIT	1	
6	64S09U01-40M015	LEFT SIDE MIRROR HOLDER	1	

DFK Cab, s.r.o.
 Za Olšávkou 391
 Uherské Hradiště 686 01
 Czech Republic

Tel: +420 572 520 061,3
 Fax: +420 572 520 071
 E-mail: dfk@dfk.cz

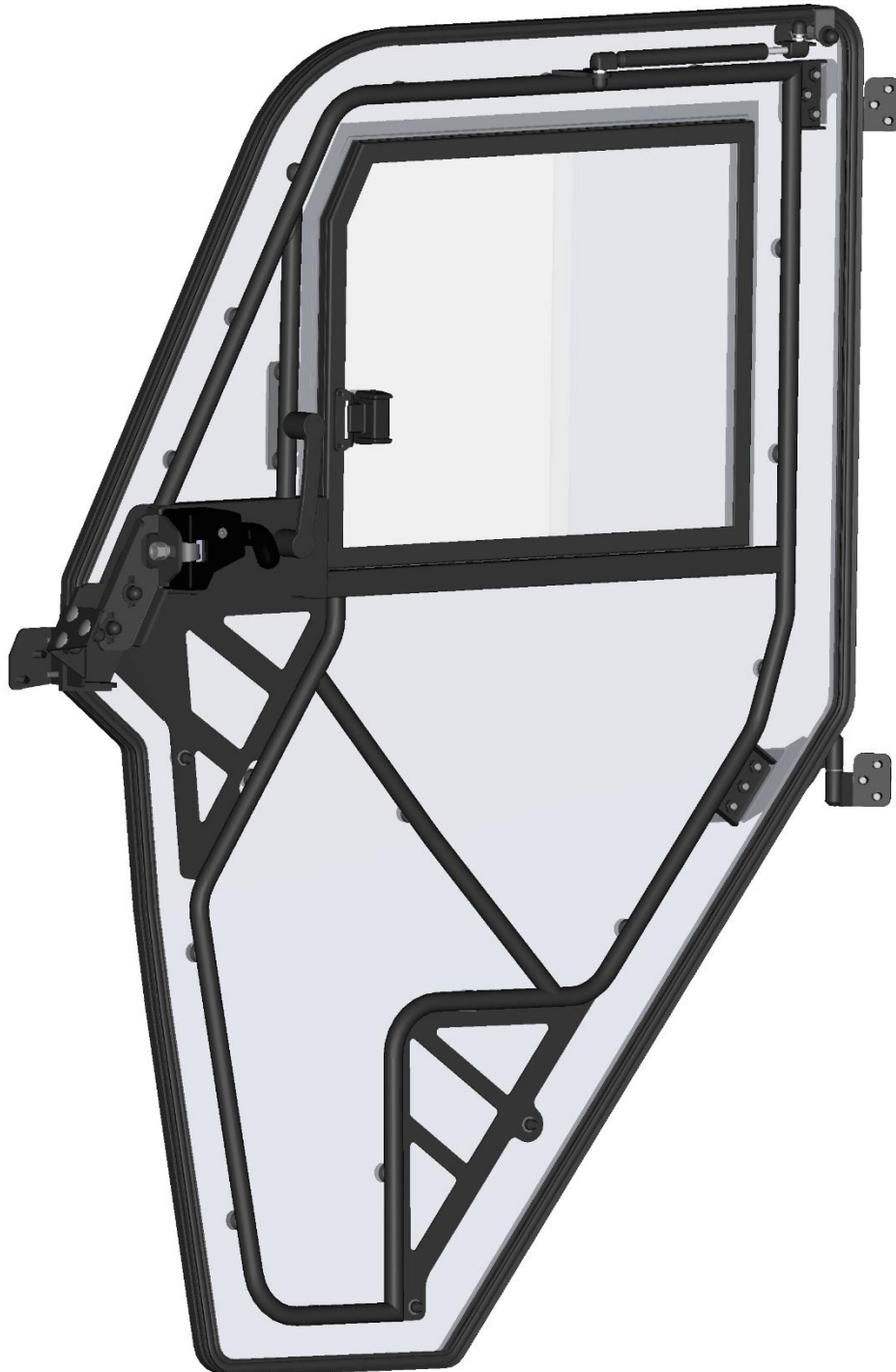
www.dfk.cz
<http://www.dfk.cz/podpora-utv>
 password: 78a6xu6mj8G

LEFT DOOR HINGES KIT

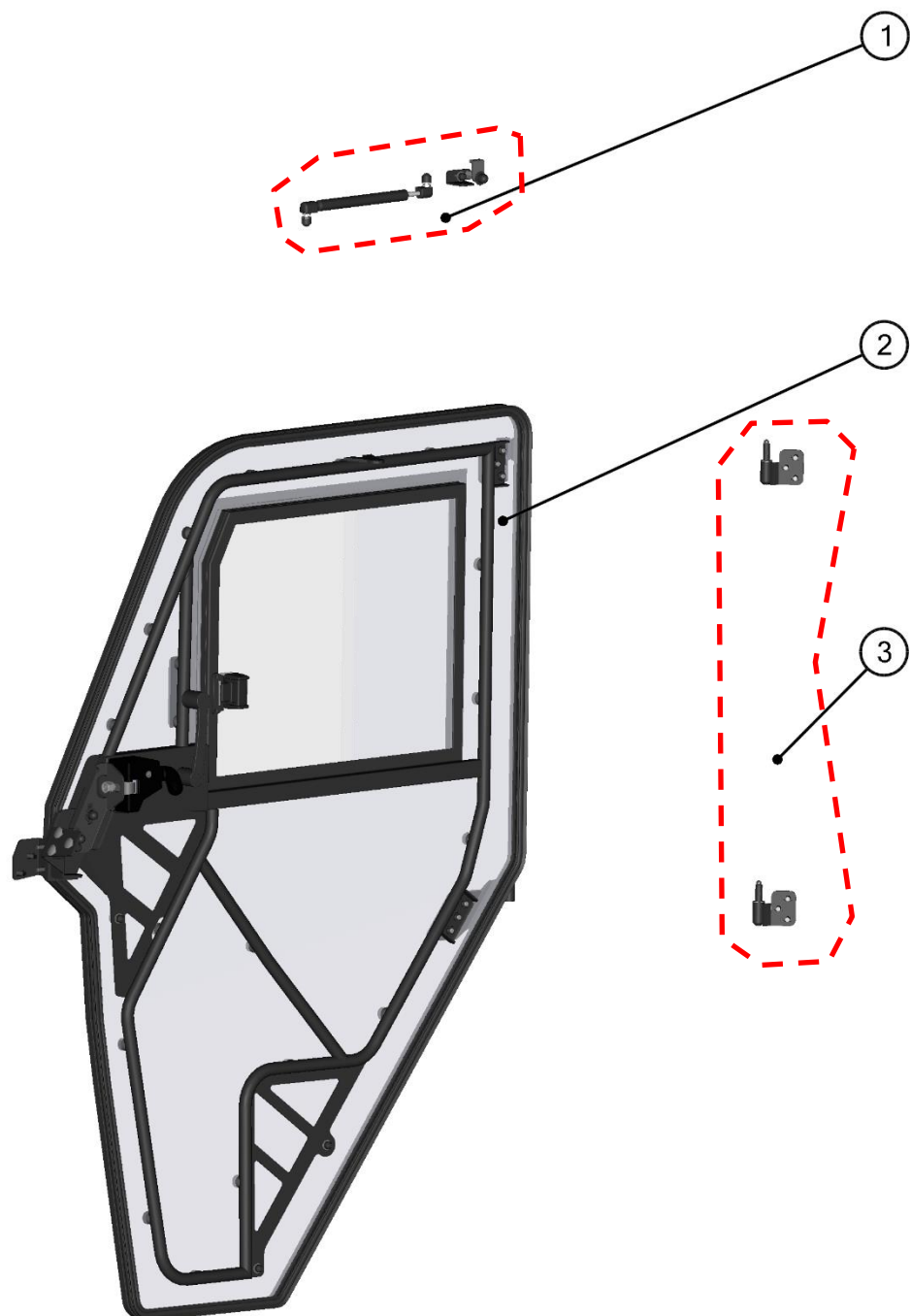


17

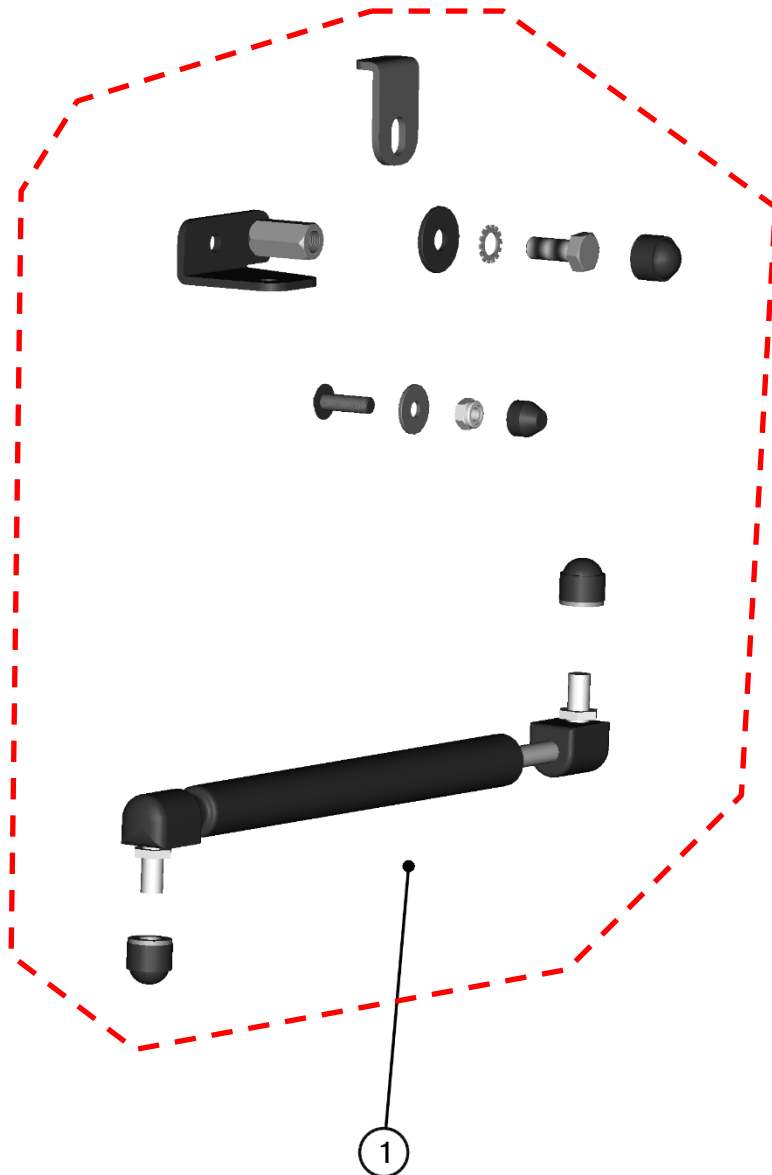
ID	Catalog no.	Description	Qty	Price
1	64S09U01-40PKM004	LEFT DOOR HINGES KIT	1	

RIGHT DOOR

18

RIGHT DOOR ASSEMBLIES

RIGHT GAS SPRING ASSEMBLY

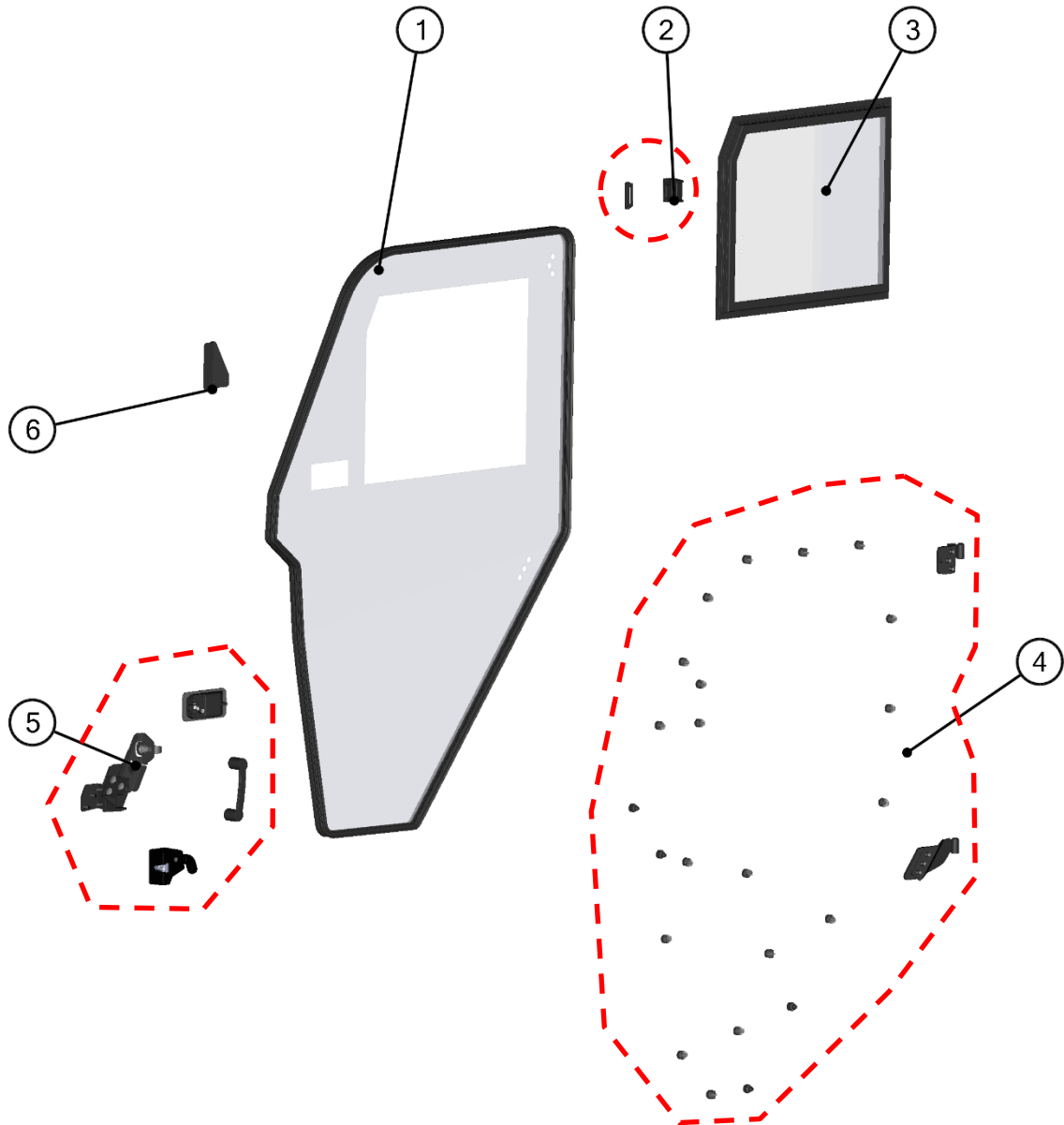


20

ID	Catalog no.	Description	Qty
1	64S09U01-50PKM001	RIGHT GAS SPRING ASSEMBLY	1

Price

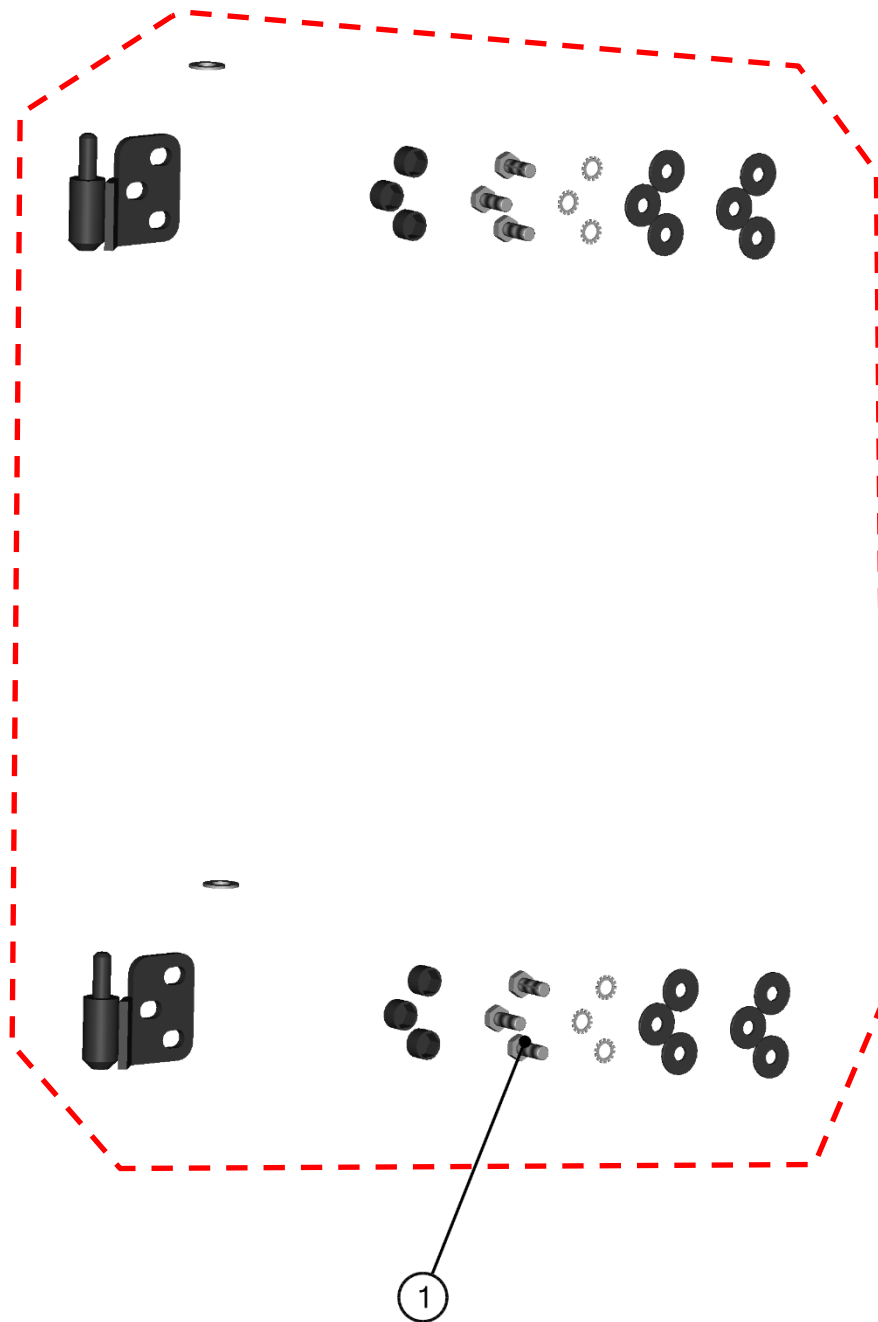
RIGHT DOOR ASSEMBLIES



21

ID	Catalog no.	Description	Qty	Price
1	64S09U01-50M003	RIGHT POLY WITH SEALING	1	
2	64S07U01-40PKM004	GLASS LOCK + STOP KIT	1	
3	64S09U01-50M002	RIGHT WINDOW ASSEMBLY	1	
4	64S09U01-50PKM002	RIGHT HINGES WITH FIXING KIT	1	
5	64S09U01-50PKM003	RIGHT DOOR LOCK WITH STOP KIT	1	
6	64S09U01-50M015	RIGHT SIDE MIRROR HOLDER	1	

RIGHT DOOR HINGES KIT



22

ID	Catalog no.	Description	Qty	Price
1	64S09U01-50PKM004	RIGHT DOOR HINGES KIT	1	

DFK Cab, s.r.o.
 Za Olšávkou 391
 Uherské Hradiště 686 01
 Czech Republic

Tel: +420 572 520 061,3
 Fax: +420 572 520 071
 E-mail: dfk@dfk.cz

www.dfk.cz
<http://www.dfk.cz/podpora-utv>
 password: 78a6xu6mj8G

ELECTROINSTALLATION

Position	Catalogue no.	Description	Qty	Price
1	004322	WIPER/WASHER SWITCH	1	
2	58S03U01-01M005	WIPER HARNESS	1	
3	000885	WASHER TANK	1	
4	52S03U05-03M001	WASHER HARNESS	1	
5	64S09U01-01M002	RELAY HARNESS	1	
6	006883	HEATER HARNESS	1	
7	00-198U-M002	WATER PUMP ASSEMBLY	1	
8	64S09U01-02M001	HEATER	1	
9	002702	HEATER VENT SWITCH	1	
10	002391	EL. VENT SWITCH	1	
11	002386	EL. VENT	1	
12	002739	AIR VENT	1	

		
<p>Position : 1 Cat. no.: 004332</p>	<p>Position : 2 Cat.no.: 58S03U01-01M005</p>	<p>Position : 3 Cat. no.: 000885</p>
		
<p>Position : 4 Cat. no.: 52S03U05-03M001</p>	<p>Position : 5 Cat. no.: 64S09U01-01M002</p>	<p>Position : 6 Cat. no.: 006883</p>
		
<p>Position : 7 Cat. no.: 00-198U-M002</p>	<p>Position : 8 Cat. no.: 64S09U01-02M001</p>	<p>Position : 9 Cat. no.: 002702</p>

		
<p>Position : 10 Cat. no.: 002391</p>	<p>Position : 11 Cat.no.: 002386</p>	<p>Position : 12 Cat. no.: 002739</p>