

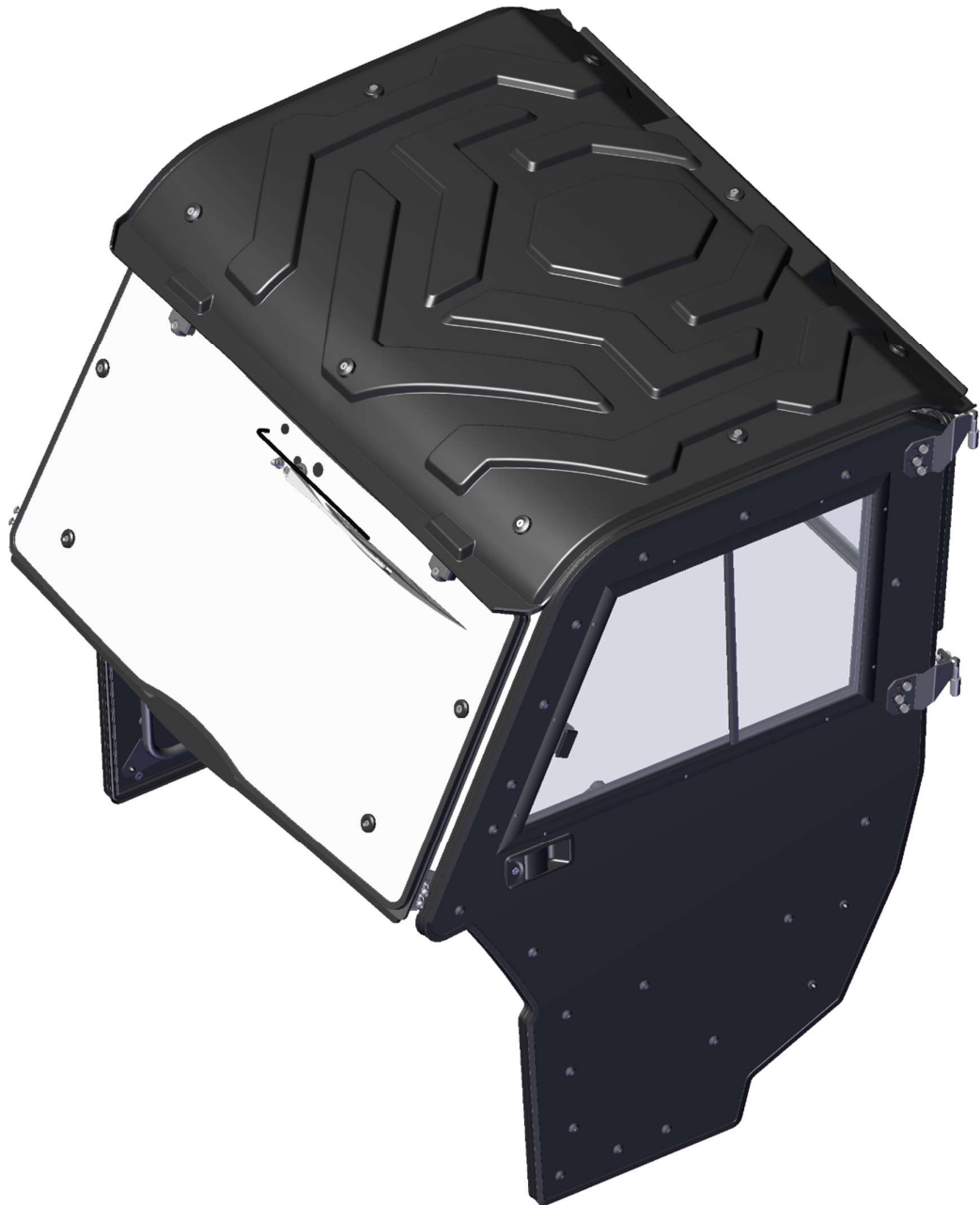


*SPARE - PARTS CATALOG*

## **ARCTIC CAT**

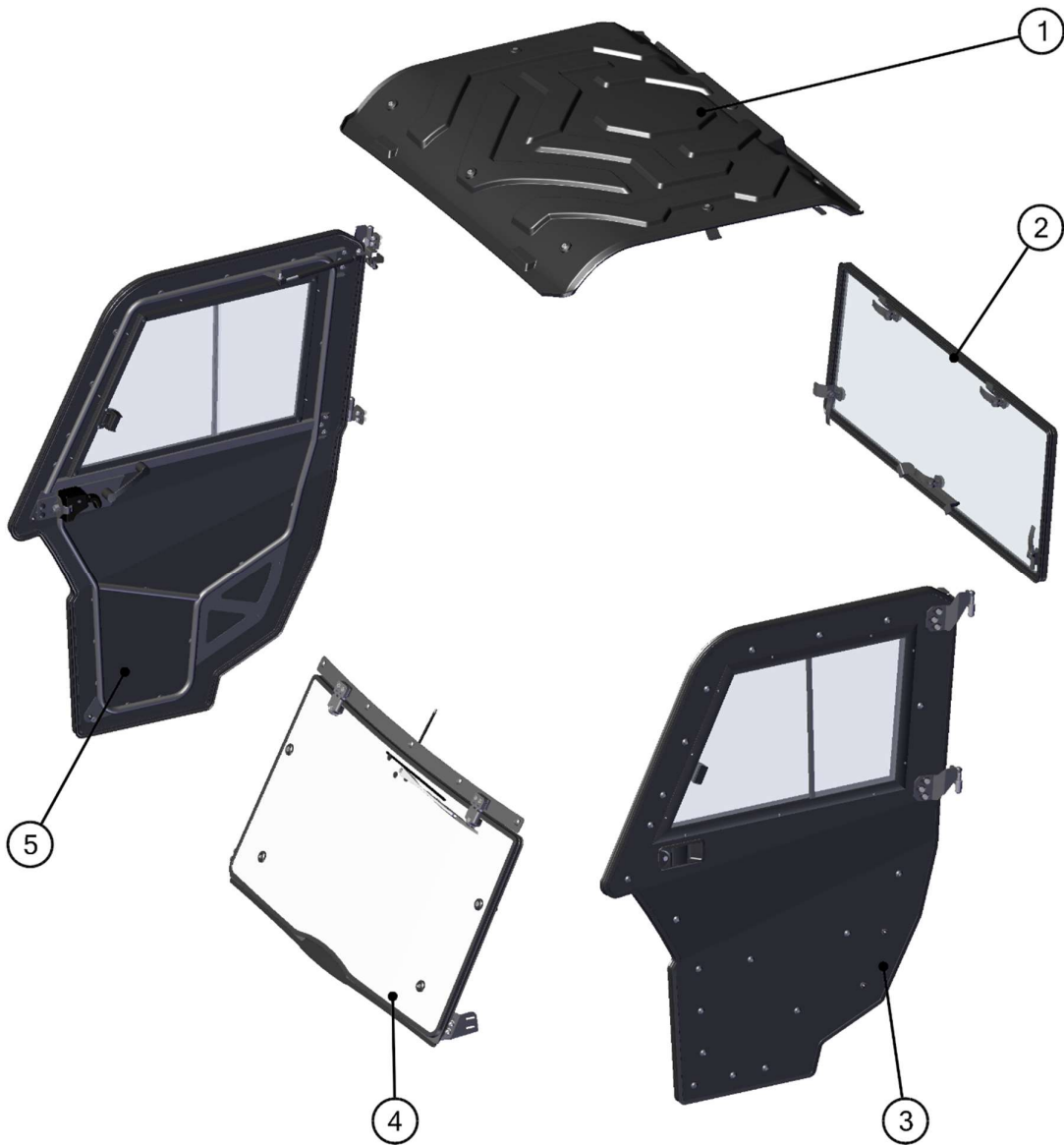
**PROWLER PRO - PROTECTOR**  
**UTV TRACKER OFFROAD - 800**  
**SX(LE) - PROTECTOR**

CAB PREVIEW



2

**ALL PANELS**



3

ID	Catalogue no.	Description	Qty
1	61S05R01S30	ROOF	1
2	61S05R01S20	REAR PANEL	1
3	61S05R01S40	LEFT DOOR	1
4	61S05U01S11	FRONT PANEL	1
5	61S05R01S50	RIGHT DOOR	1
-	-----	ELECTROINSTALLATION	1

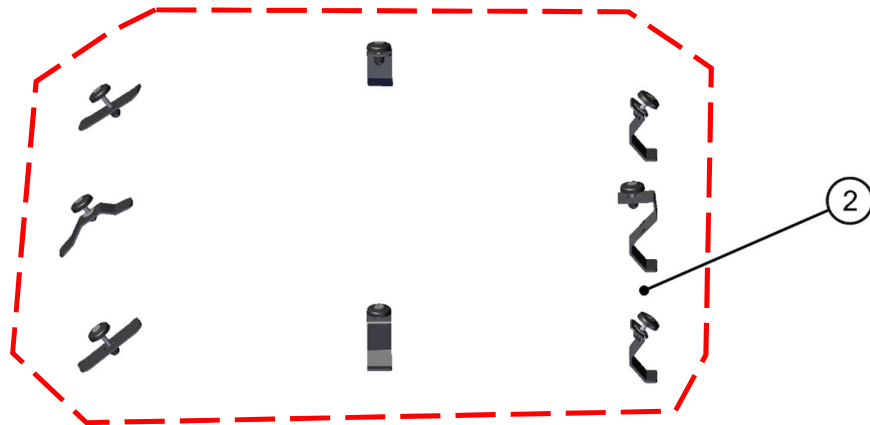
Page	Price
5	
7	
11	
9	
16	
20	

ROOF PANEL



4

**ROOF PANEL ASSEMBLIES**



5

ID	Catalog no.	Description	Qty
1	61S05R01-30M001	ROOF PANEL WITH SEALING	1
2	61S05R01-30PKM001	ROOF HOLDERS KIT	1

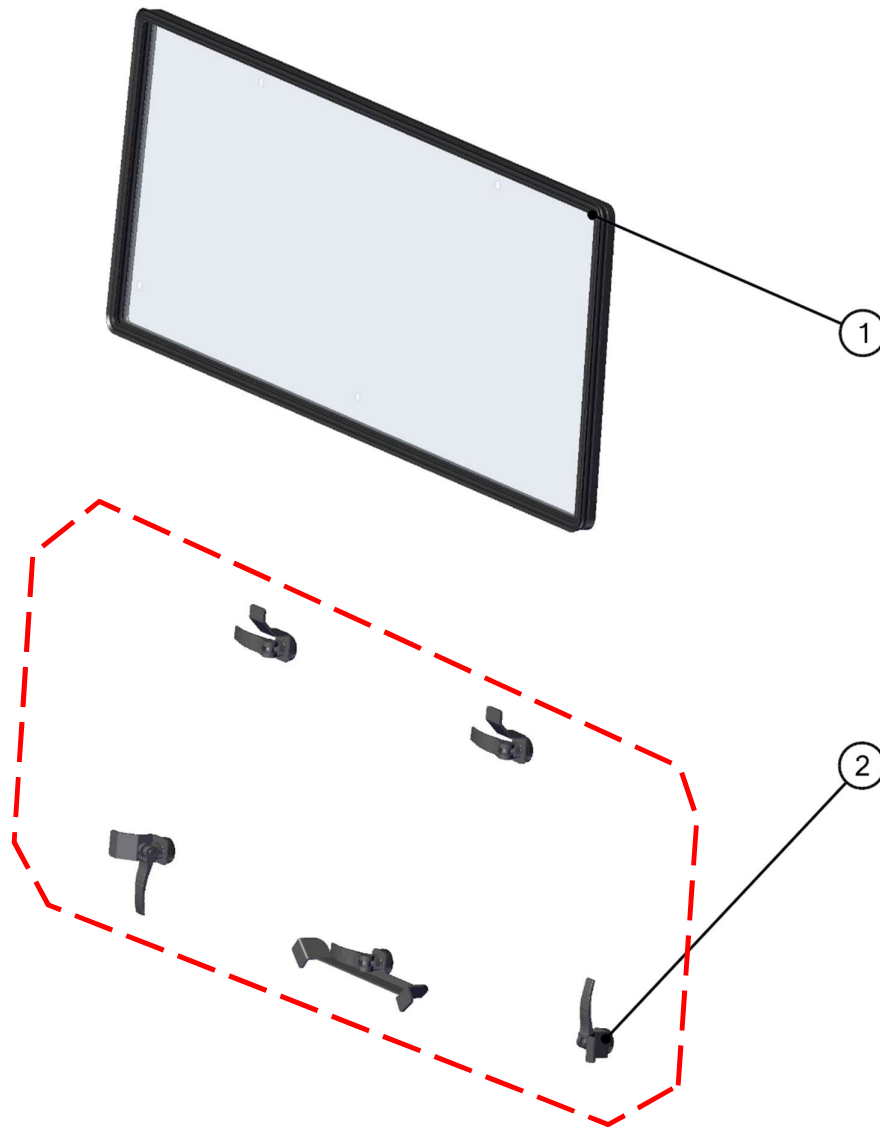
Price

REAR PANEL



6

**REAR PANEL ASSEMBLIES**



ID	Catalog no.	Description	Qty
1	61S05R01-20M001	REAR GLASS WITH SEALING	1
2	61S05R01-20PKM001	REAR HOLDERS KIT	1

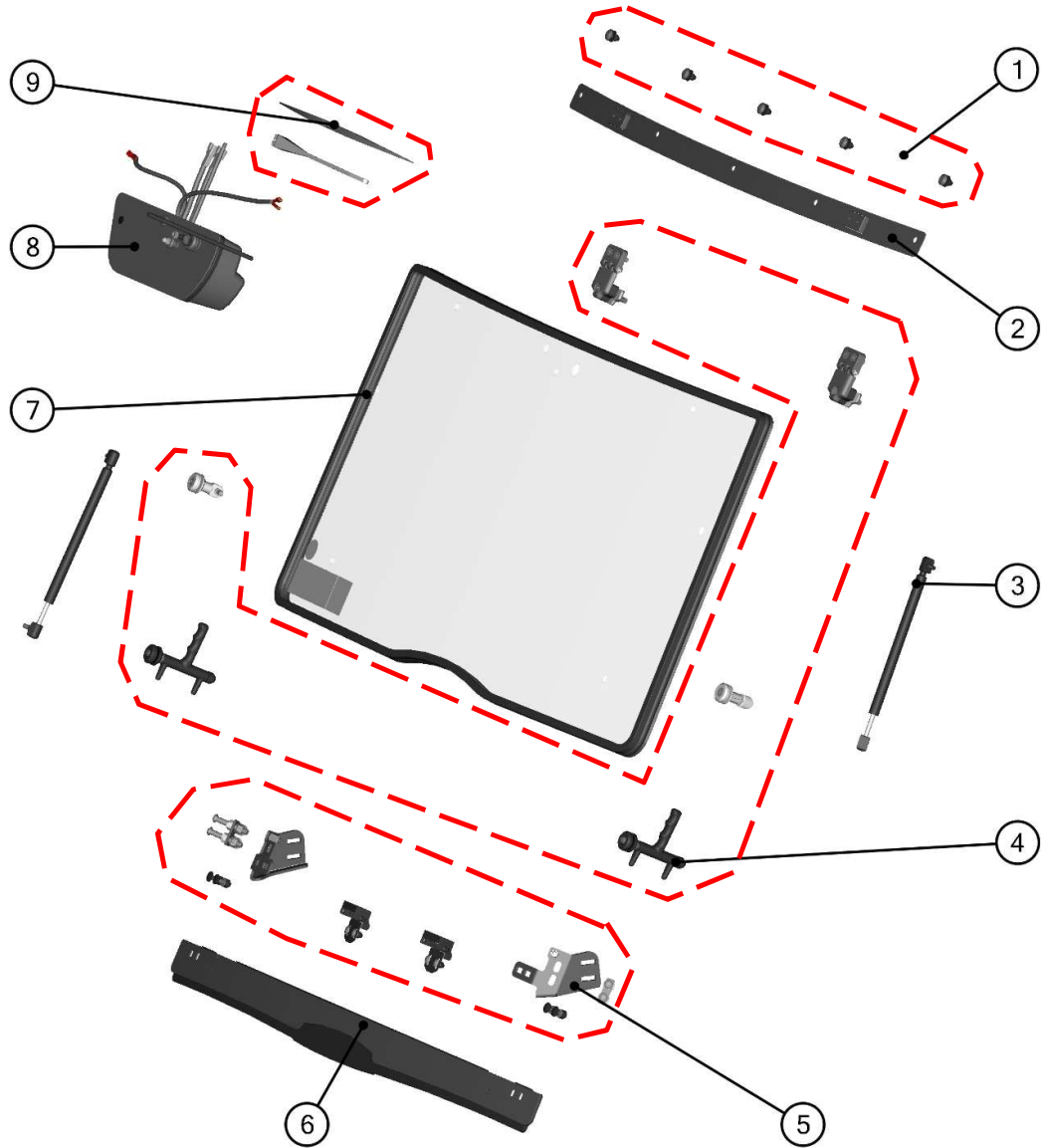
Price

FRONT PANEL





**FRONT PANEL ASSEMBLIES**



9

ID	Catalog no.	Description	Qty
1	61S05U01-10PKM001	FRONT UPPER FIXING KIT	1
2	61S05U01-10W002	FRONT UPPER LEDGE	1
3	002494	GAS SPRING ASSEMBLY	2
4	61S05U01-11PKM001	FRONT WINDOW HARDWARE KIT	1
5	61S05U01-11PKM002	FRONT BOTTOM HOLDER KIT	1
6	61S05U01-11PKM003	FRONT BOTTOM LEDGE	1
7	61S05U01-11M001	FRONT GLASS WITH SEALING	1
8	61S05U01-10M007	FRONT WIPER ASSEMBLY	1
9	61S05U01-10PKM002	WIPER ARM WITH WIPER BLADE KIT	1

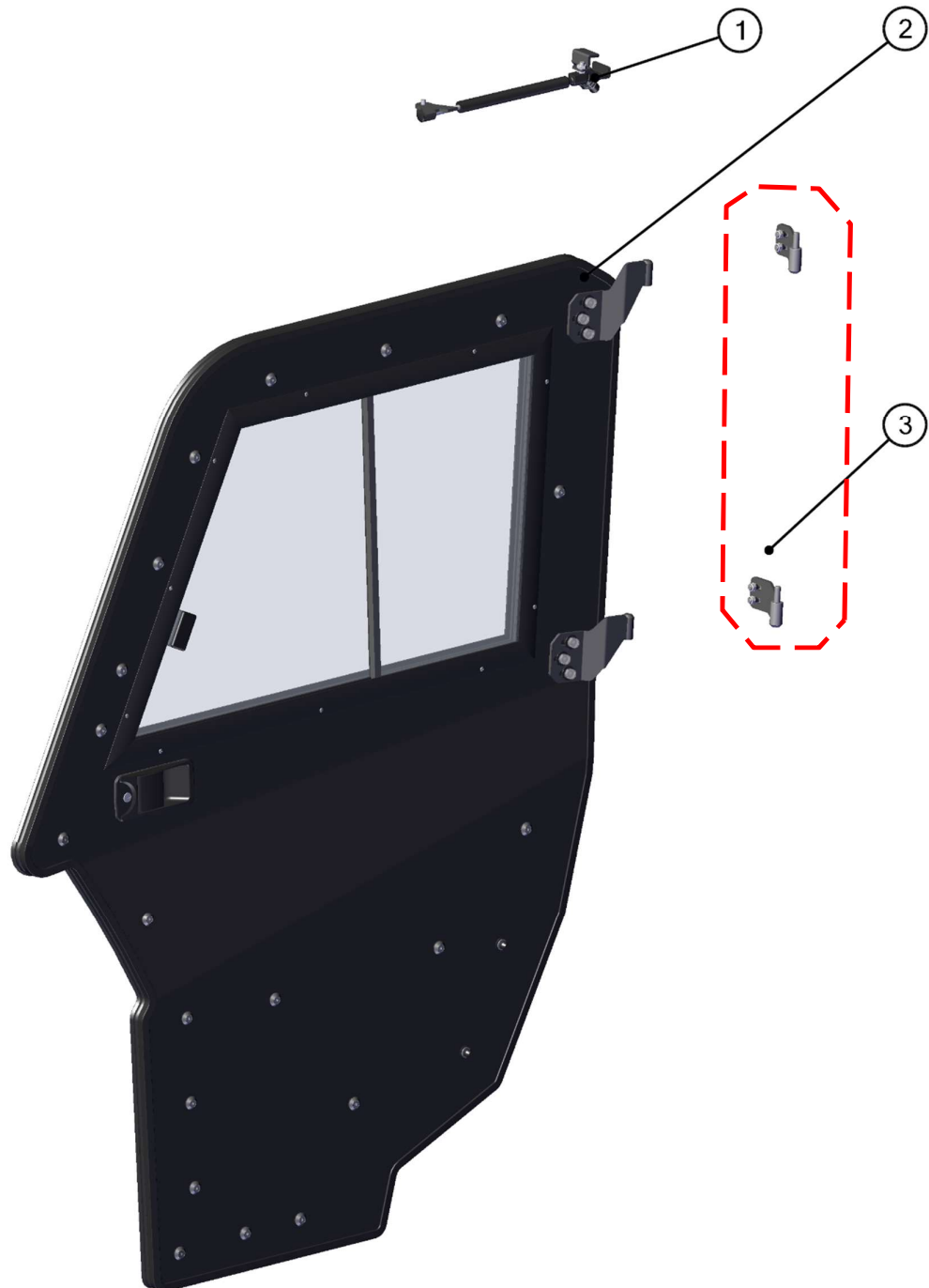
Price

LEFT DOOR

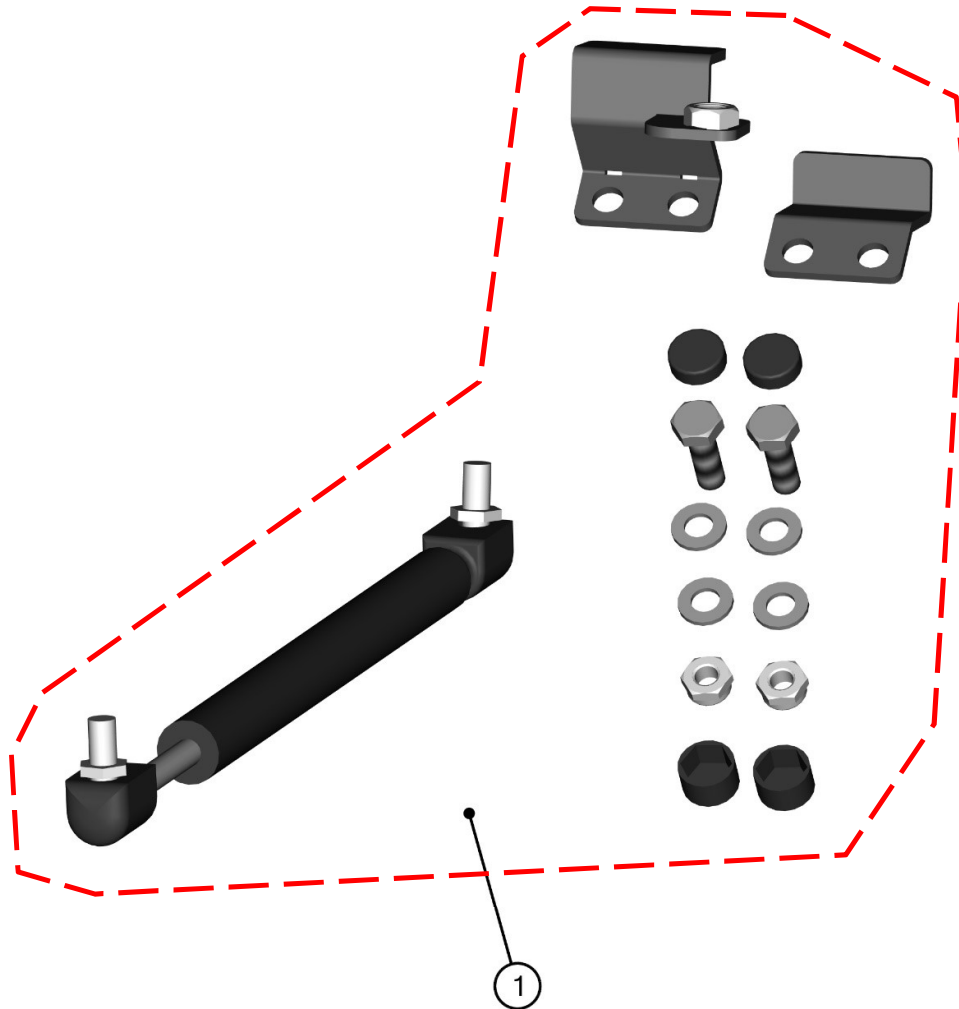


10

LEFT DOOR ASSEMBLIES



**LEFT DOOR GAS SPRING ASSEMBLY**



12

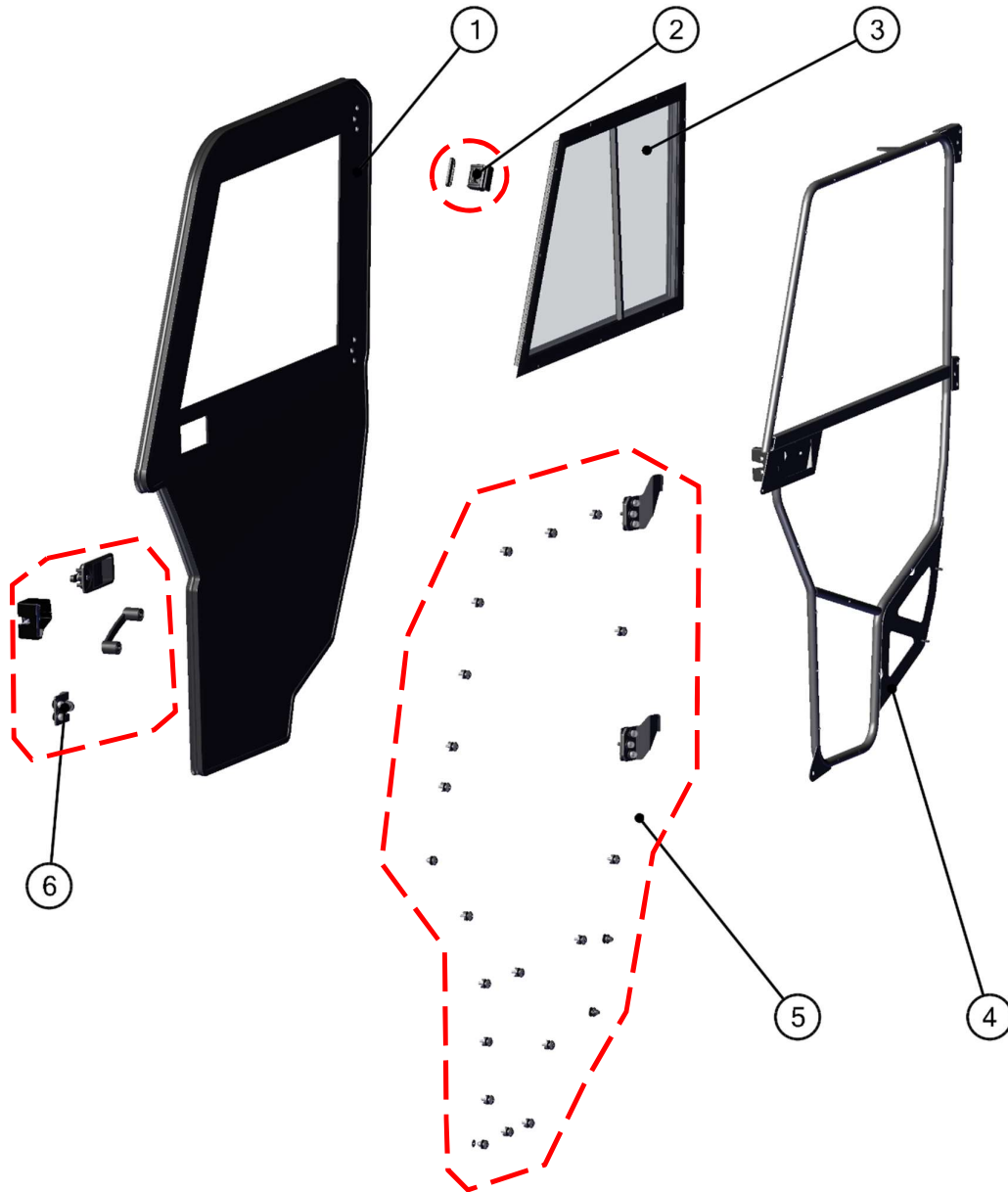
ID	Catalog no.	Description	Qty	Price
1	61S05U01-40M009	LEFT DOOR GAS SPRING ASSEMBLY	1	

HardCabs  
2464 Wisconsin Avenue  
Downers Grove, IL 60515

630-324-8585  
parts@hardcabs.com

[www.hardcabs.com](http://www.hardcabs.com)

**LEFT DOOR ASSEMBLY**

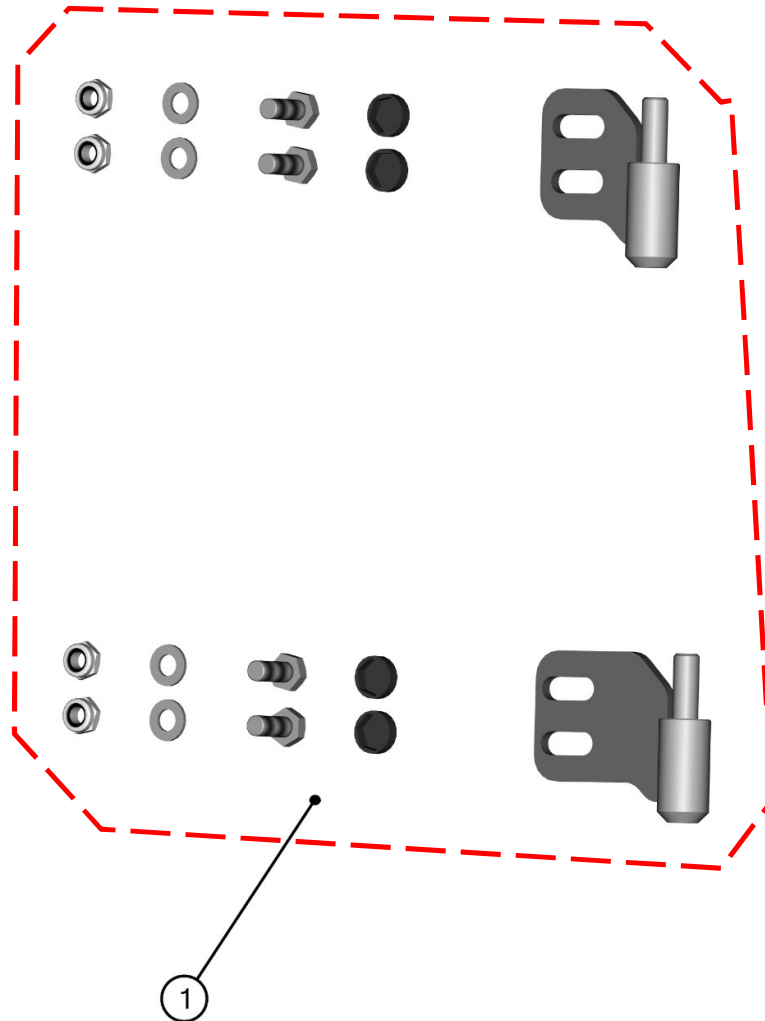


13

ID	Catalog no.	Description	Qty
1	61S05R01-40M001	LEFT DOOR ABS WITH SEALING	1
2	61S04U01-40PKM001	GLASS LOCK WITH STOP KIT	1
3	61S05U01-40M003	LEFT DOOR WINDOW ASSEMBLY	1
4	61S05U01-40W001	LEFT DOOR WELDED FRAME	1
5	61S05U01-40PKM001	LEFT DOOR HINGES WITH FIXING KIT	1
6	61S05U01-40PKM002	LEFT DOOR LOCK WITH STOP KIT	1

Price

**LEFT DOOR HINGE FRAME KIT**



14

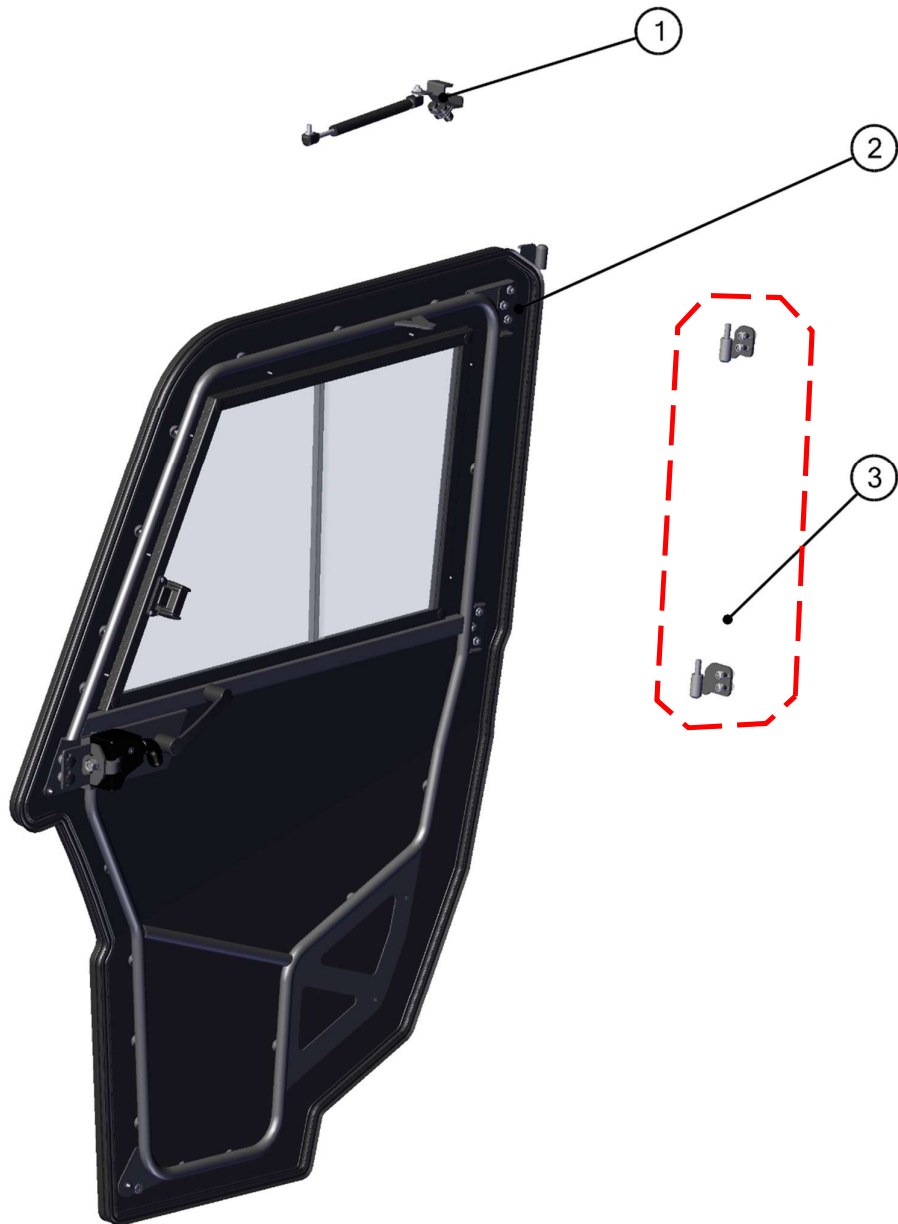
ID	Catalog no.	Description	Qty	Price
1	61S05U01-40PKM003	LEFT DOOR HINGE FRAME KIT	1	

RIGHT DOOR



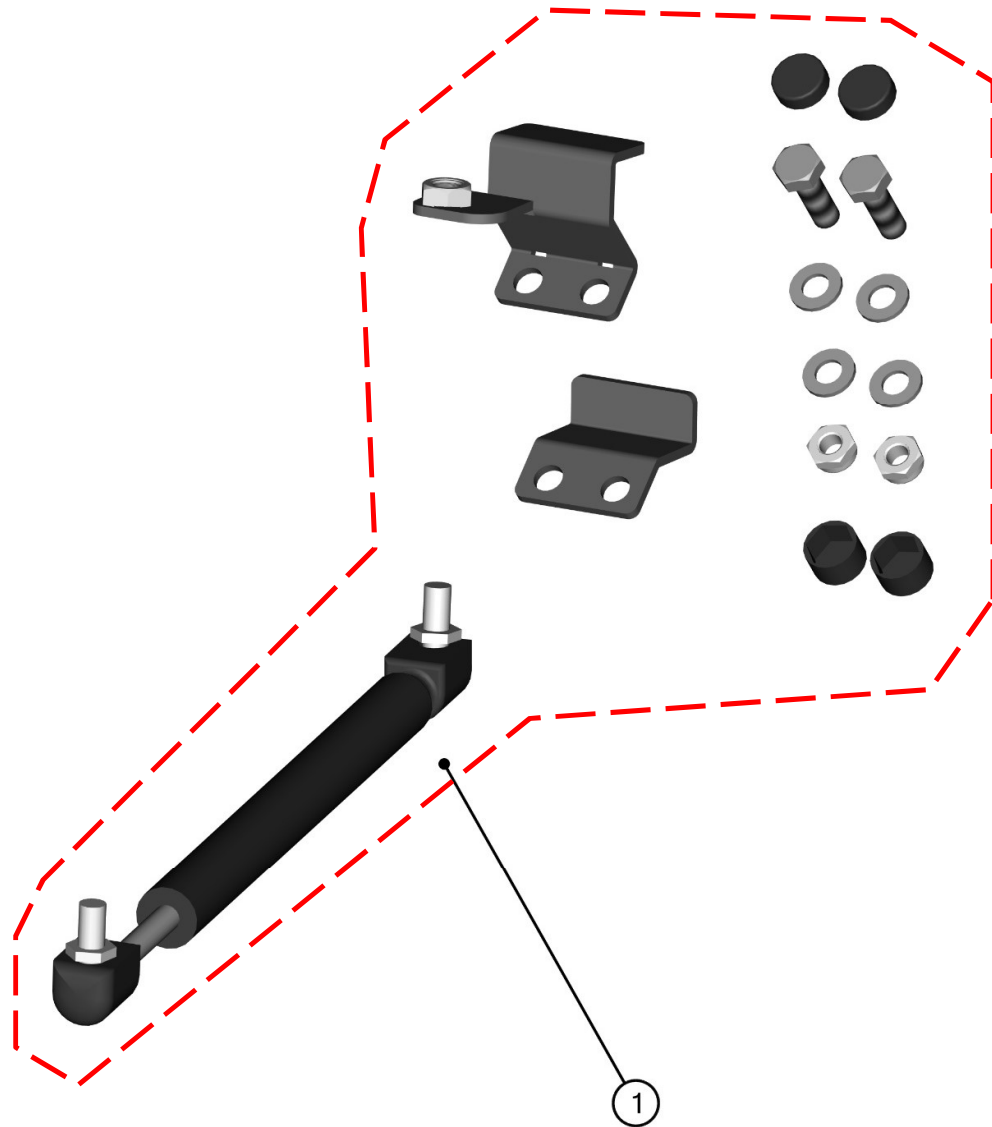
15

**RIGHT DOOR ASSEMBLIES**





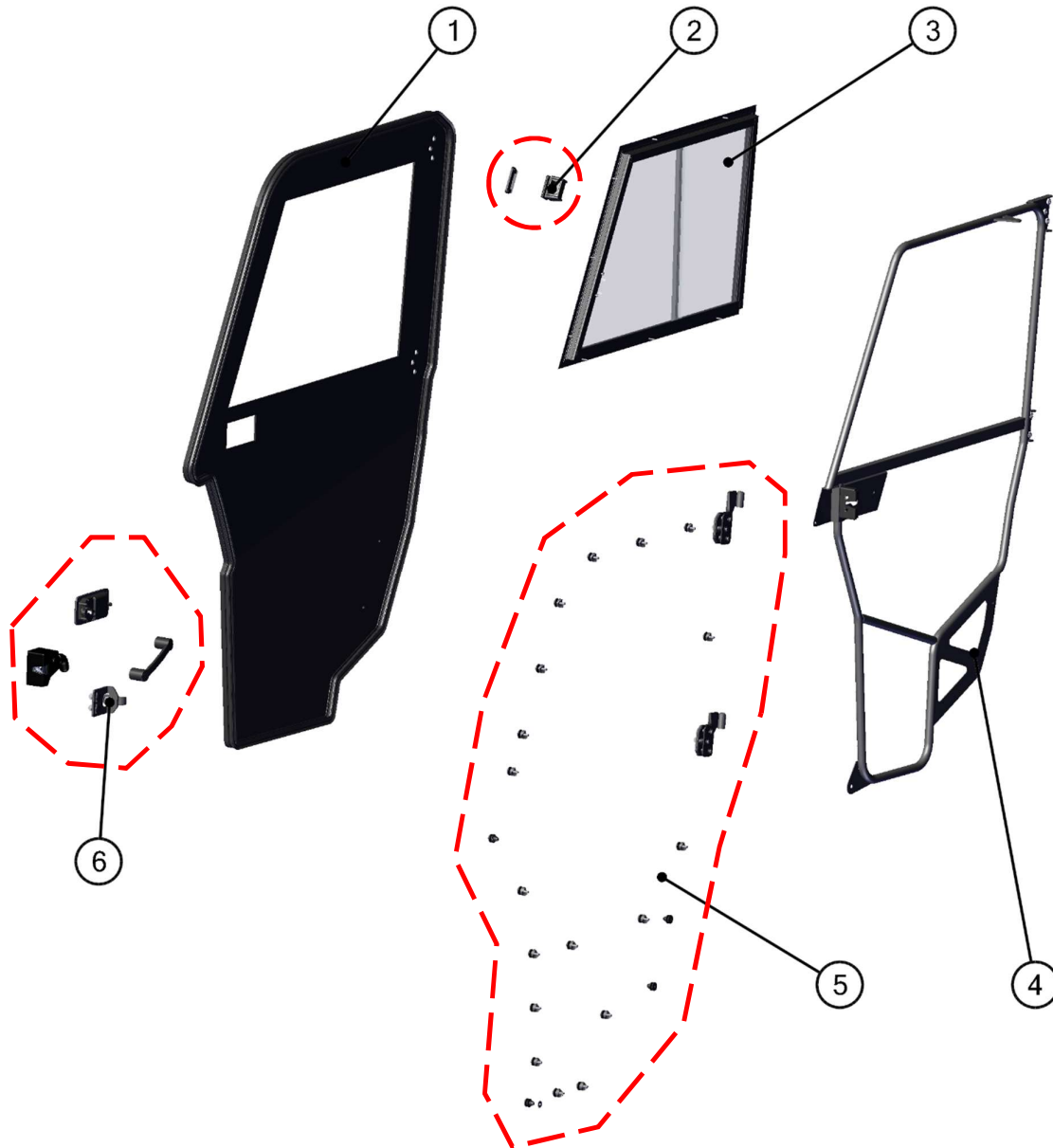
**RIGHT DOOR GAS SPRING ASSEMBLY**



17

ID	Catalog no.	Description	Qty	Price
1	61S05U01-50M009	RIGHT DOOR GAS SPRING ASSEMBLY	1	

**RIGHT DOOR ASSEMBLY**

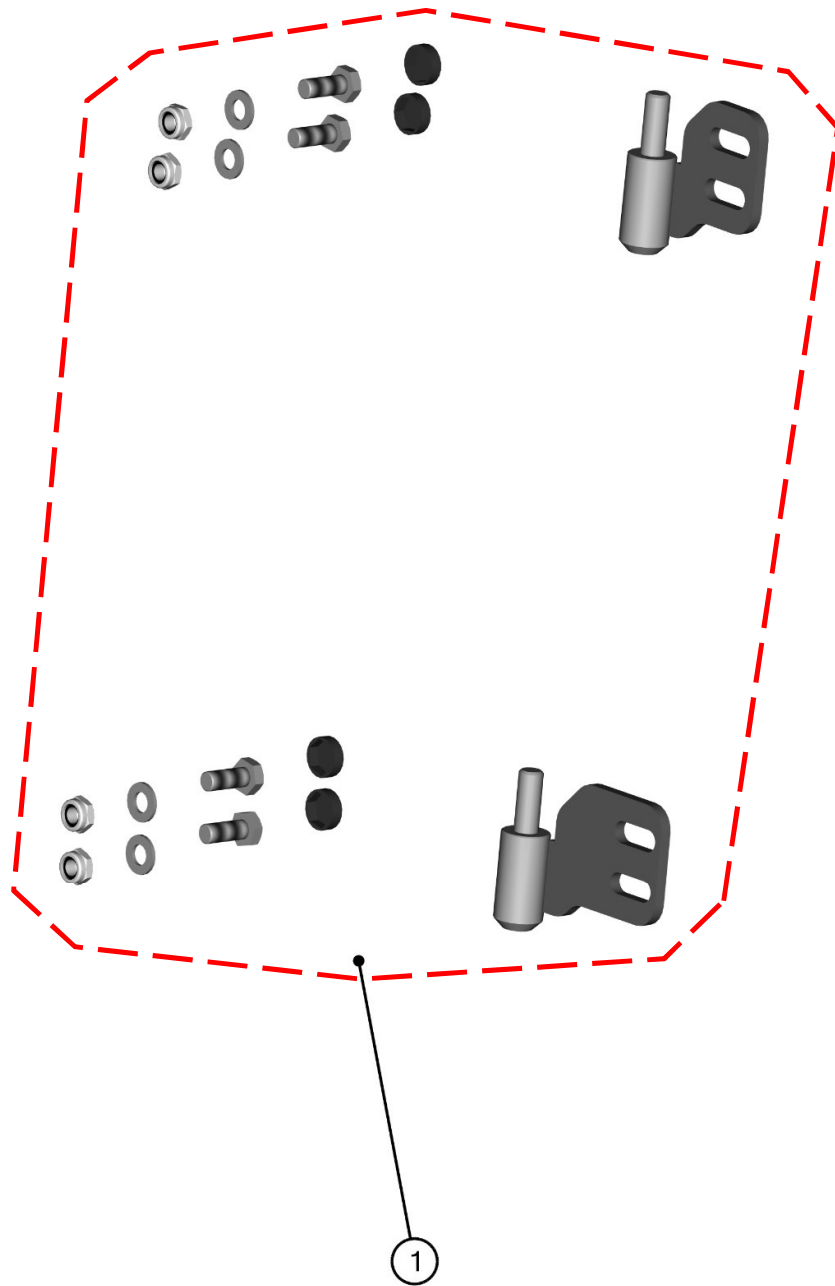


18

ID	Catalog no.	Description	Qty
1	61S05R01-50M001	RIGHT DOOR ABS WITH SEALING	1
2	61S04U01-40PKM001	GLASS LOCK WITH STOP KIT	1
3	61S05U01-50M003	RIGHT DOOR WINDOW ASSEMBLY	1
4	61S05U01-50W001	RIGHT DOOR FRAME WELDED	1
5	61S05U01-50PKM001	RIGHT DOOR HINGES WITH FIXING KIT	1
6	61S05U01-50PKM002	RIGHT DOOR LOCK WITH STOP KIT	1

Price

**RIGHT DOOR HINGES**









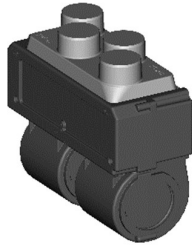


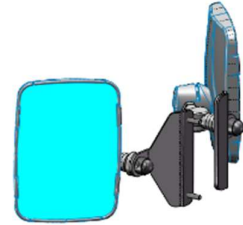
19

ID	Catalog no.	Description	Qty	Price
1	61S05U01-50PKM003	RIGHT DOOR HINGE FRAME KIT	1	

**ELECTROINSTALLATION**

Position	Catalogue no.	Description	Qty	Price
1	004322	WIPER / WASHER SWITCH	1	
2	006768	FRONT LIGHT SWITCH	1	
3	008640	WIPER HARNESS	1	
4	008637	WASHER HARNESS	1	
5	008636	EXTENSION HARNESS	1	
6	000885	WASHER TANK	1	
7	008639	SUPPLY HARNESS	1	
8	008638	HEATER HARNESS	1	
9	006259	HEATER UNIT	1	
10	002386	EL. VALVE	1	
11	002471	WATER PUMP FOR HEATER	1	
12	00-109U-M006	SIDE MIRRORS KIT	1	
13	002863	AIR VENT SMALLER	4	
14	002739	AIR VENT LARGER	2	

		
<p><b>Position : 1</b> <b>Catalogue no.: 004322</b></p>	<p><b>Position : 2</b> <b>Catalogue no.: 006768</b></p>	<p><b>Position : 3</b> <b>Catalogue no.: 008640</b></p>
		
<p><b>Position : 4</b> <b>Catalogue no.: 008637</b></p>	<p><b>Position : 5</b> <b>Catalogue no.: 008636</b></p>	<p><b>Position : 6</b> <b>Catalogue no.: 000885</b></p>
		
<p><b>Position : 7</b> <b>Catalogue no.: 008639</b></p>	<p><b>Position : 8</b> <b>Catalogue no.: 008638</b></p>	<p><b>Position : 9</b> <b>Catalogue no.: 006259</b></p>



**Position : 10**

**Catalogue no.: 002386**

**Position : 11**

**Catalogue no.: 002471**

**Position : 12**

**Catalogue no.: 00-109U-M006**



**Position : 13**

**Catalogue no.: 002863**

**Position : 13**

**Catalogue no.: 002739**