

HardCabs

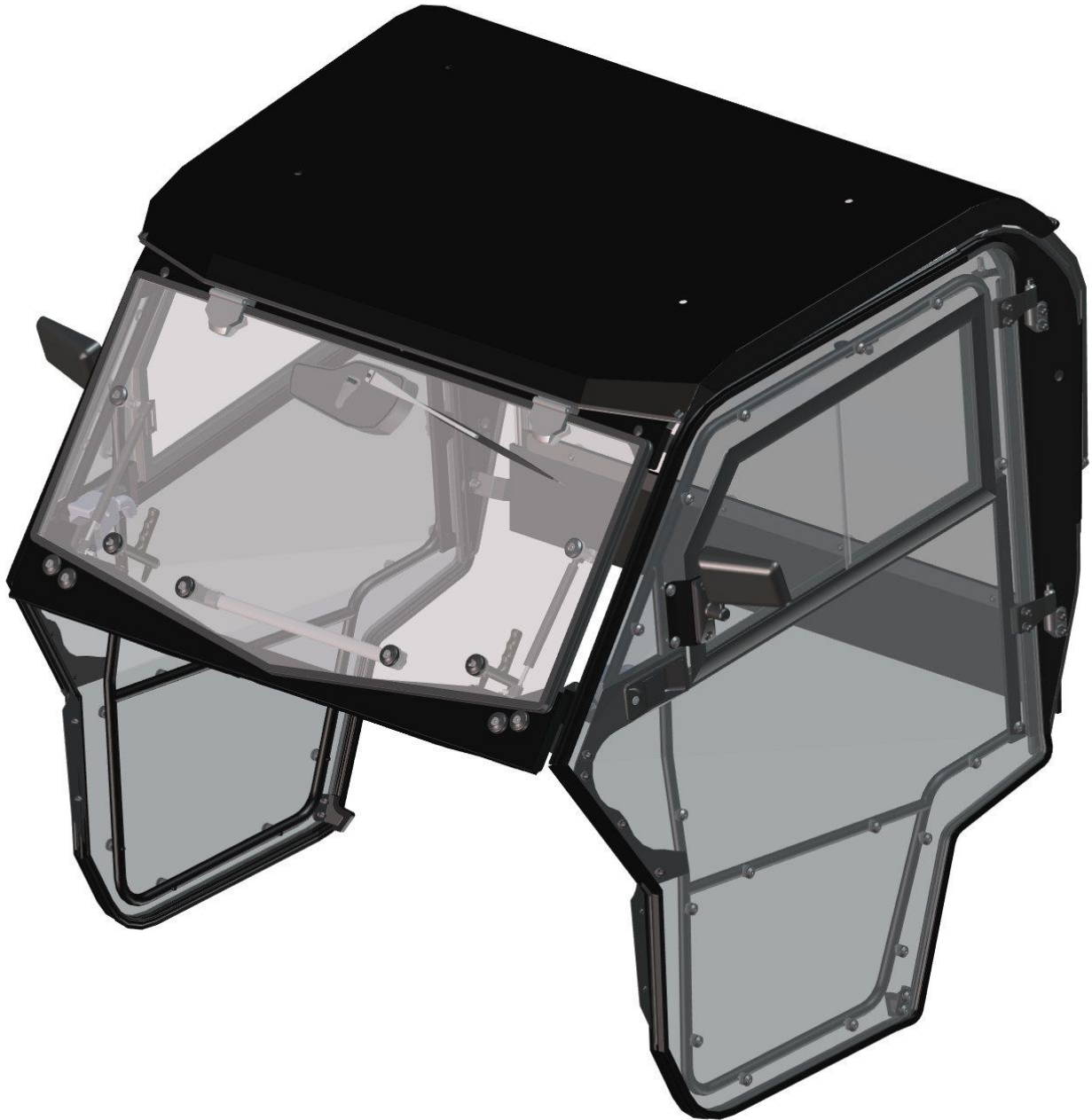
A DFK AMERICA COMPANY

SPARE - PARTS CATALOG

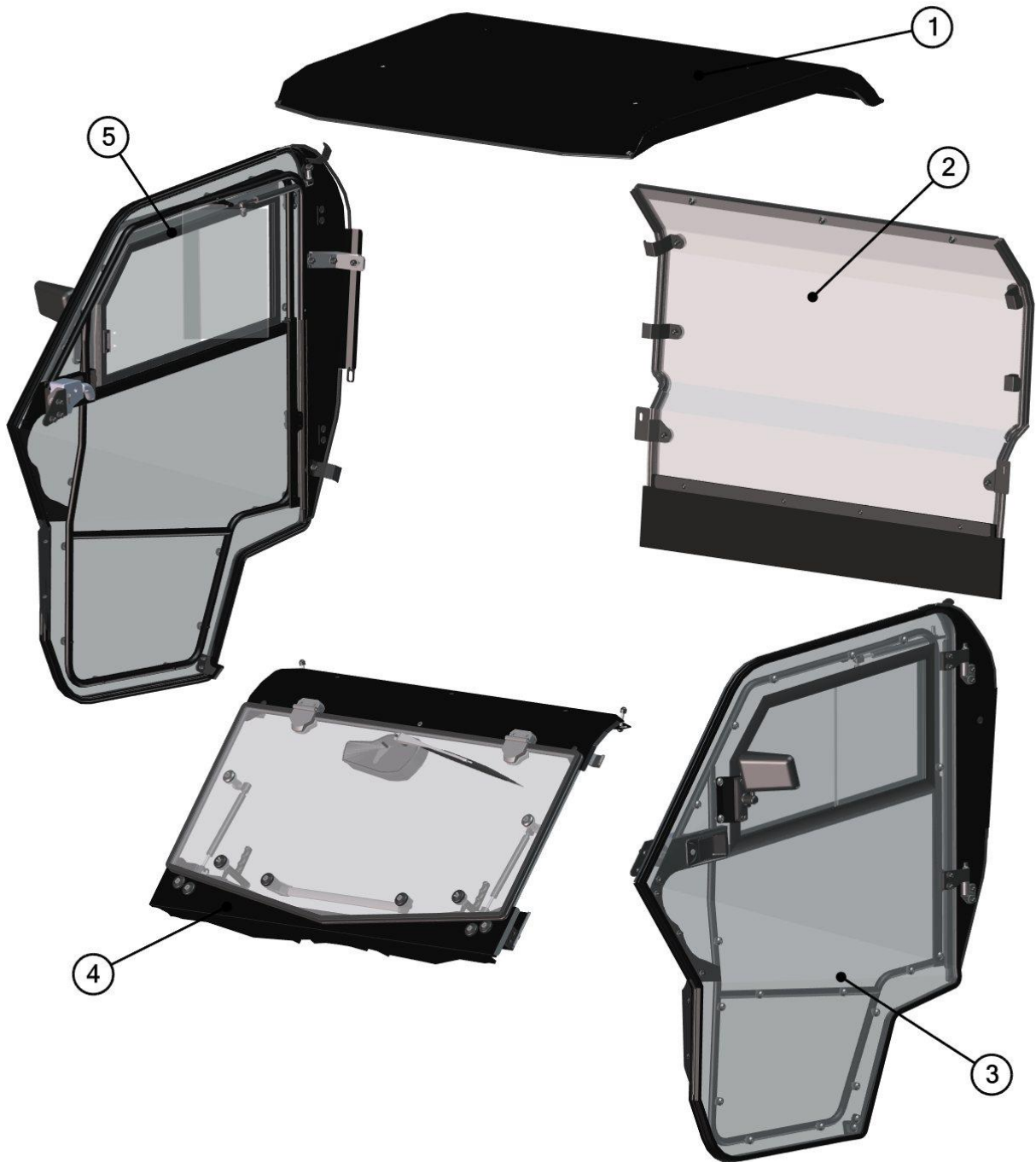
YAMAHA WOLVERINE



CAB PREVIEW



2

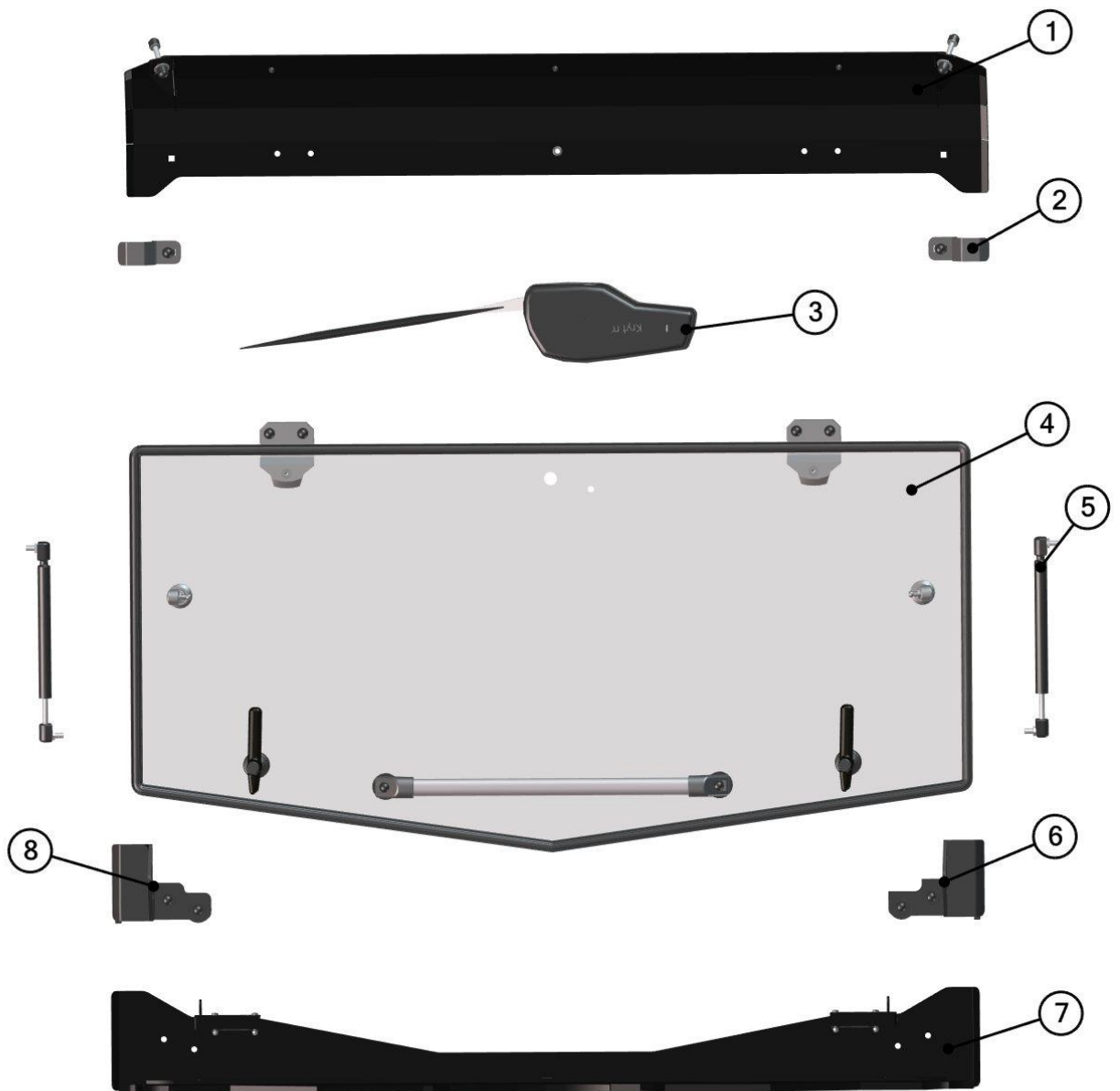


3

| ID | Catalogue no. | Description | Qty |
|----|---------------|-------------|-----|
| 1 | 41S06U01S30 | ROOF | 1 |
| 2 | 41S06U01S20 | REAR PANEL | 1 |
| 3 | 41S06U01S40 | LEFT DOOR | 1 |
| 4 | 41S06U01S10 | FRONT PANEL | 1 |
| 5 | 41S06U01S50 | RIGHT DOOR | 1 |

FRONT PANEL



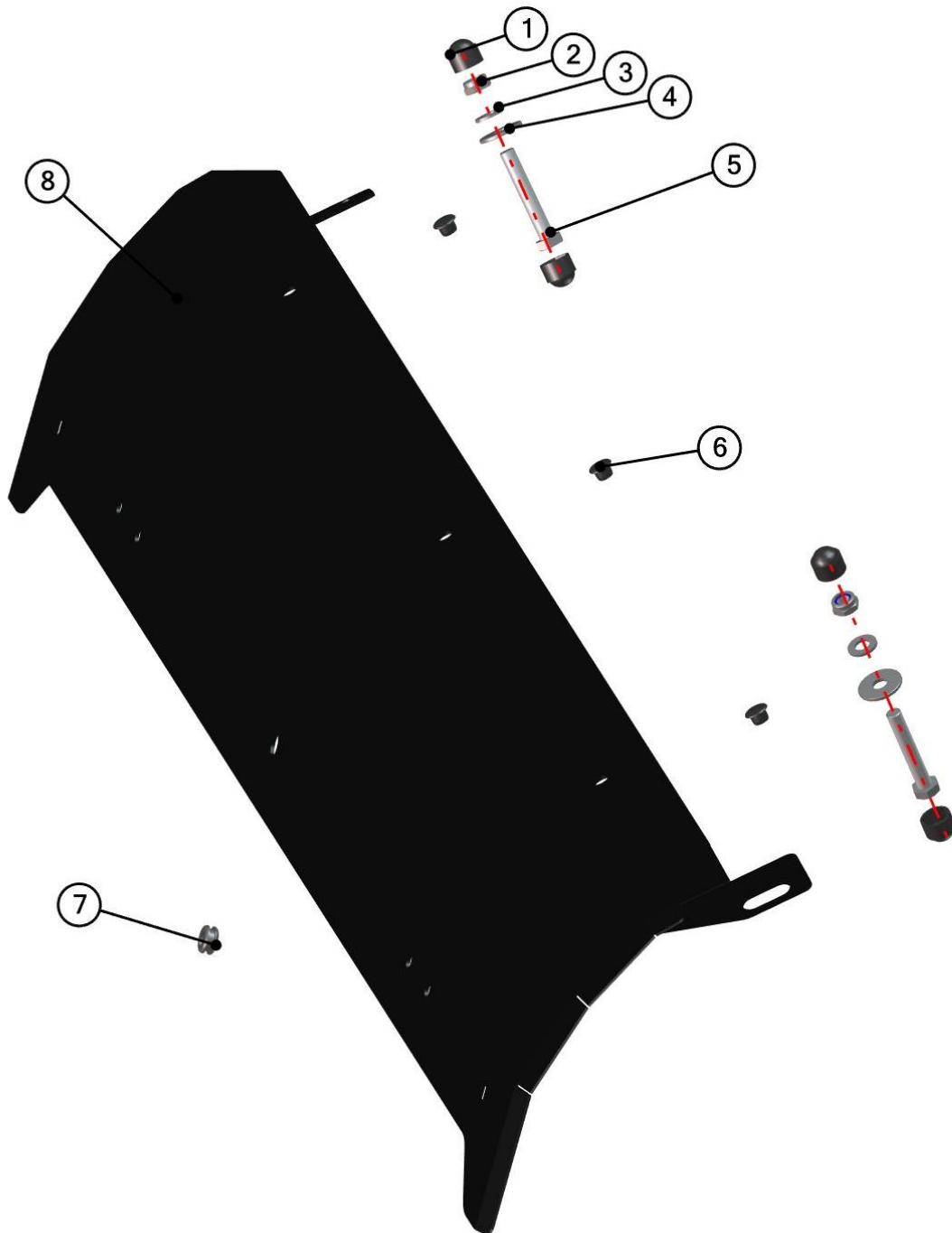


5

| ID | Catalogue no. | Description | Qty |
|----|-----------------|--|-----|
| 1 | 41S06U01-10M009 | FRONT UPPER LEDGE ASSEMBLY | 1 |
| 2 | 41S06U01-10M008 | FRONT UPPER LEDGE HOLDER ASSEMBLY | 2 |
| 3 | 41S06U01-01M001 | WIPER ASSEMBLY | 1 |
| 4 | 41S06U01-10M003 | FRONT GLASS ASSEMBLY | 1 |
| 5 | 000865 | GAS SPRING | 2 |
| 6 | 41S06U01-10M011 | RIGHT FRONT BOTTOM LEDGE HOLDER ASSEMBLY | 1 |
| 7 | 41S06U01-10M001 | FRONT BOTTOM LEDGE ASSEMBLY | 1 |
| 8 | 41S06U01-10M004 | LEFT FRONT BOTTOM LEDGE HOLDER ASSEMBLY | 1 |

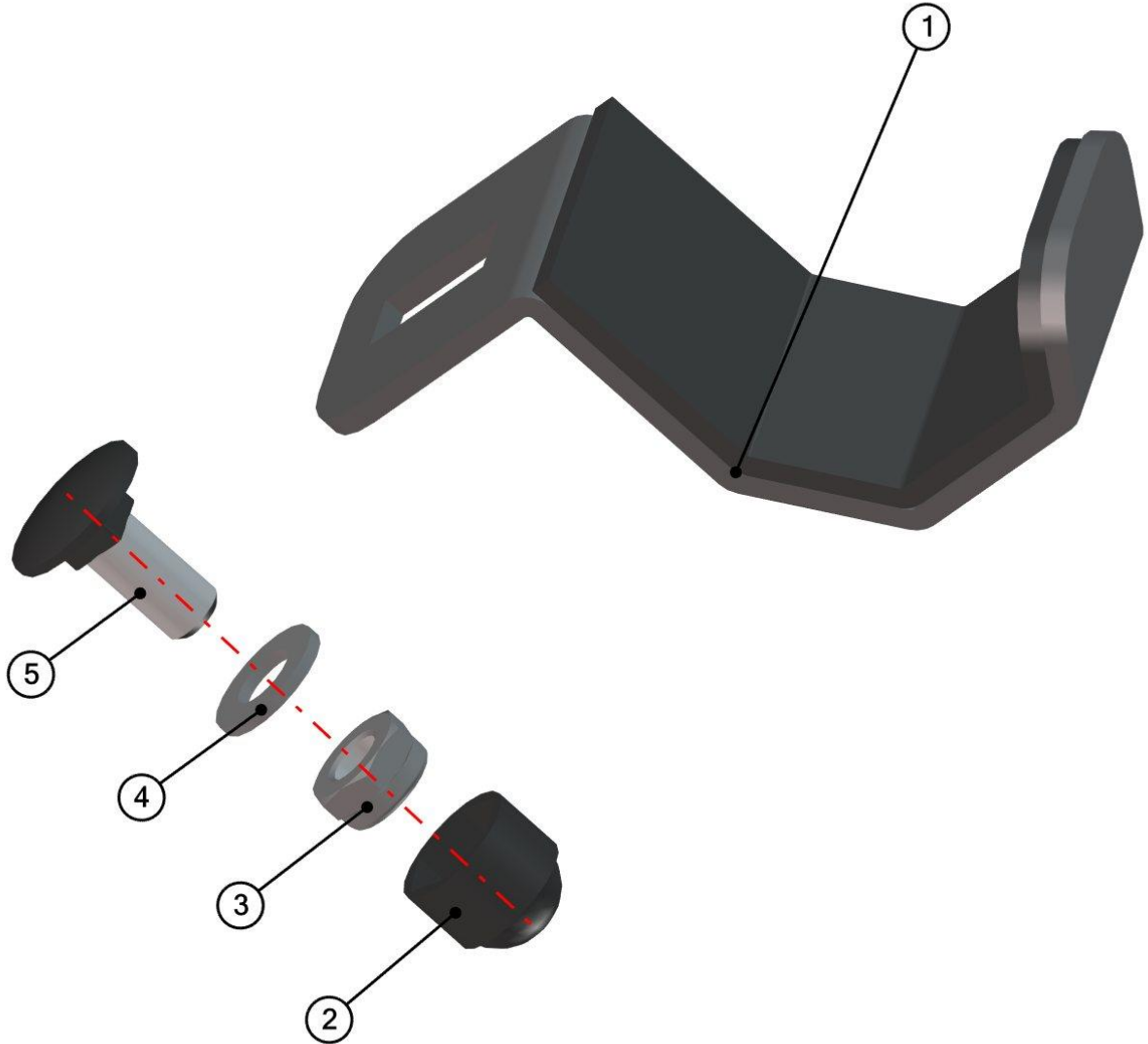
FRONT UPPER LEDGE ASSEMBLY

41S06U01-10M009



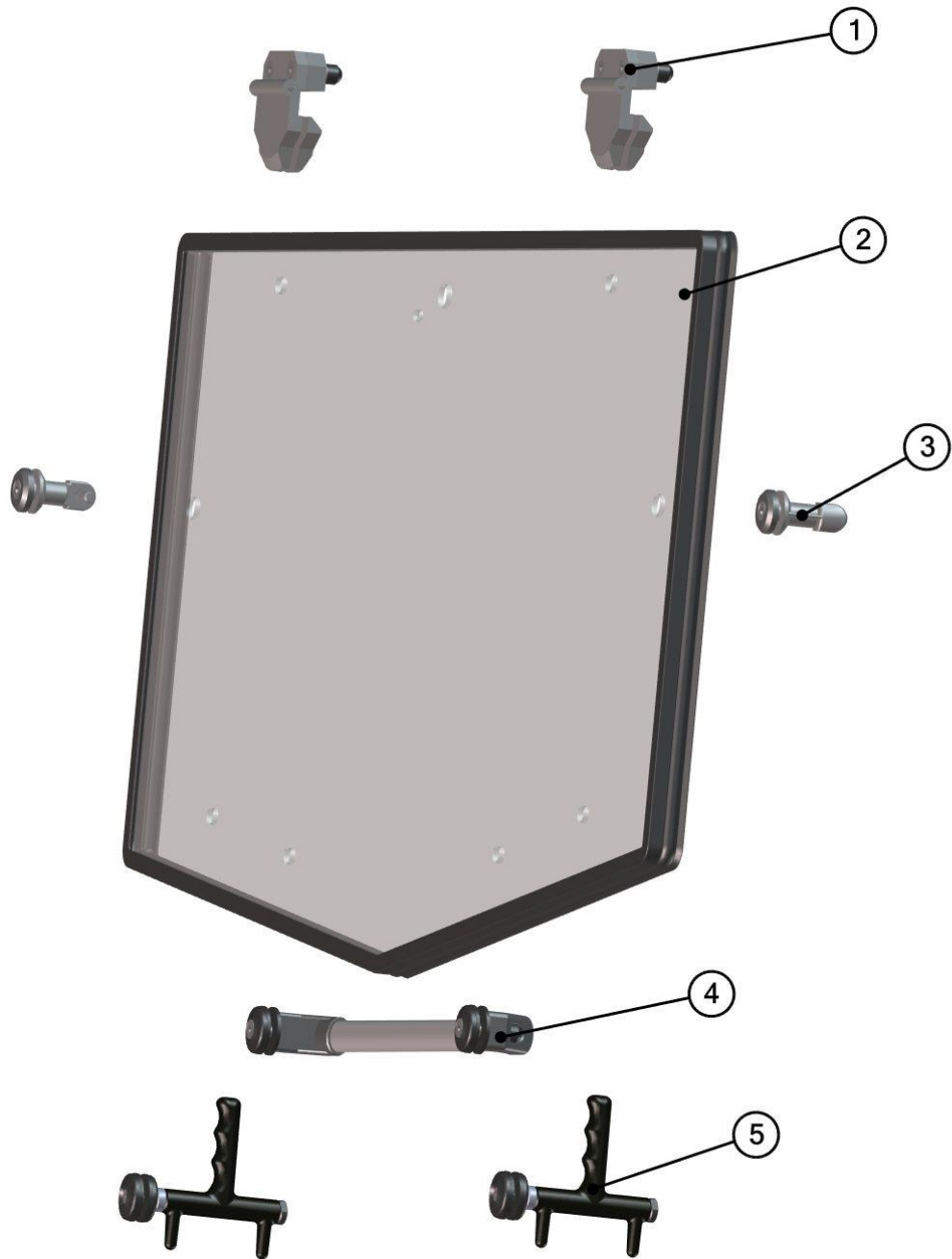
| ID | Catalogue no. | Description | Qty |
|----|-----------------|--------------------------|-----|
| 1 | 001309 | PLASTIC NUT COVER OK13 | 4 |
| 2 | 001388 | SELF-LOCKING NUT M8 | 2 |
| 3 | 001387 | WASHER 8 | 2 |
| 4 | 001407 | WASHER 8 LARGE | 2 |
| 5 | 001438 | SCREW M8x50 | 2 |
| 6 | 003275 | PLASTIC COVER | 3 |
| 7 | 002017 | GROMMET | 1 |
| 8 | 41S06U01-10W001 | FRONT UPPER LEDGE WELDED | 1 |

FRONT UPPER LEDGE HOLDER ASSEMBLY
41S06U01-10M008



| ID | Catalogue no. | Description | Qty |
|----|-----------------|--------------------------|-----|
| 1 | 41S06U01-10-003 | FRONT UPPER LEDGE HOLDER | 1 |
| 2 | 001309 | PLASTIC NUT COVER OK13 | 1 |
| 3 | 001388 | SELF-LOCKING NUT M8 | 1 |
| 4 | 001387 | WASHER 8 | 1 |
| 5 | 002575 | SCREW M8x20 | 1 |

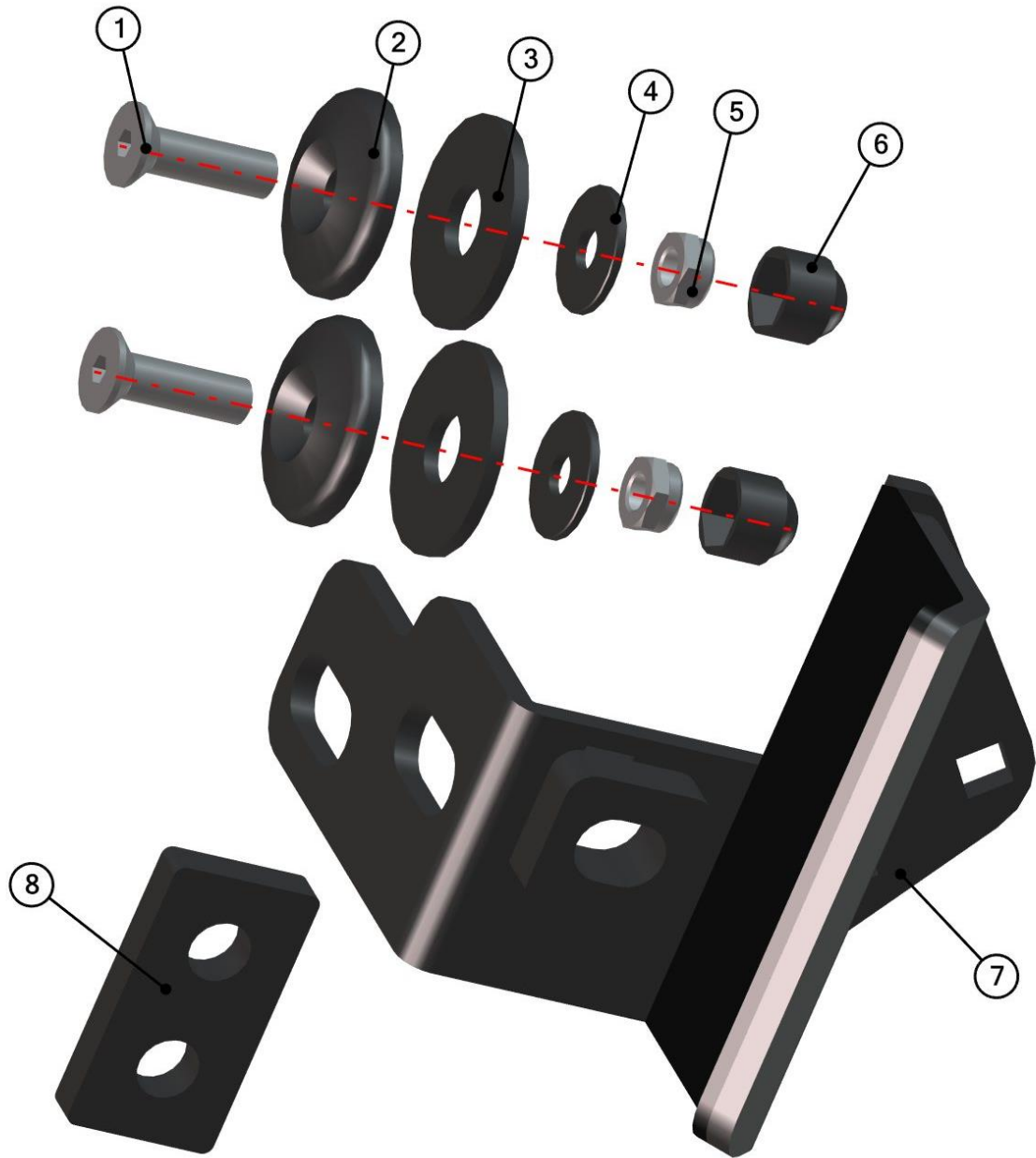
FRONT GLASS ASSEMBLY
41S06U01-10M003



| ID | Catalogue no. | Description | Qty |
|----|-----------------|--------------------------|-----|
| 1 | 00-10M012 | FRONT HINGE | 2 |
| 2 | 41S06U01-10M002 | FRONT GLASS WITH SEALING | 1 |
| 3 | 001693 | GAS SPRING HOLDER | 2 |
| 4 | 00-113U-M001 | FRONT HANDLE | 1 |
| 5 | 00-10M023 | FRONT GLASS LOCK | 2 |

LEFT FRONT BOTTOM LEDGE HOLDER ASSEMBLY

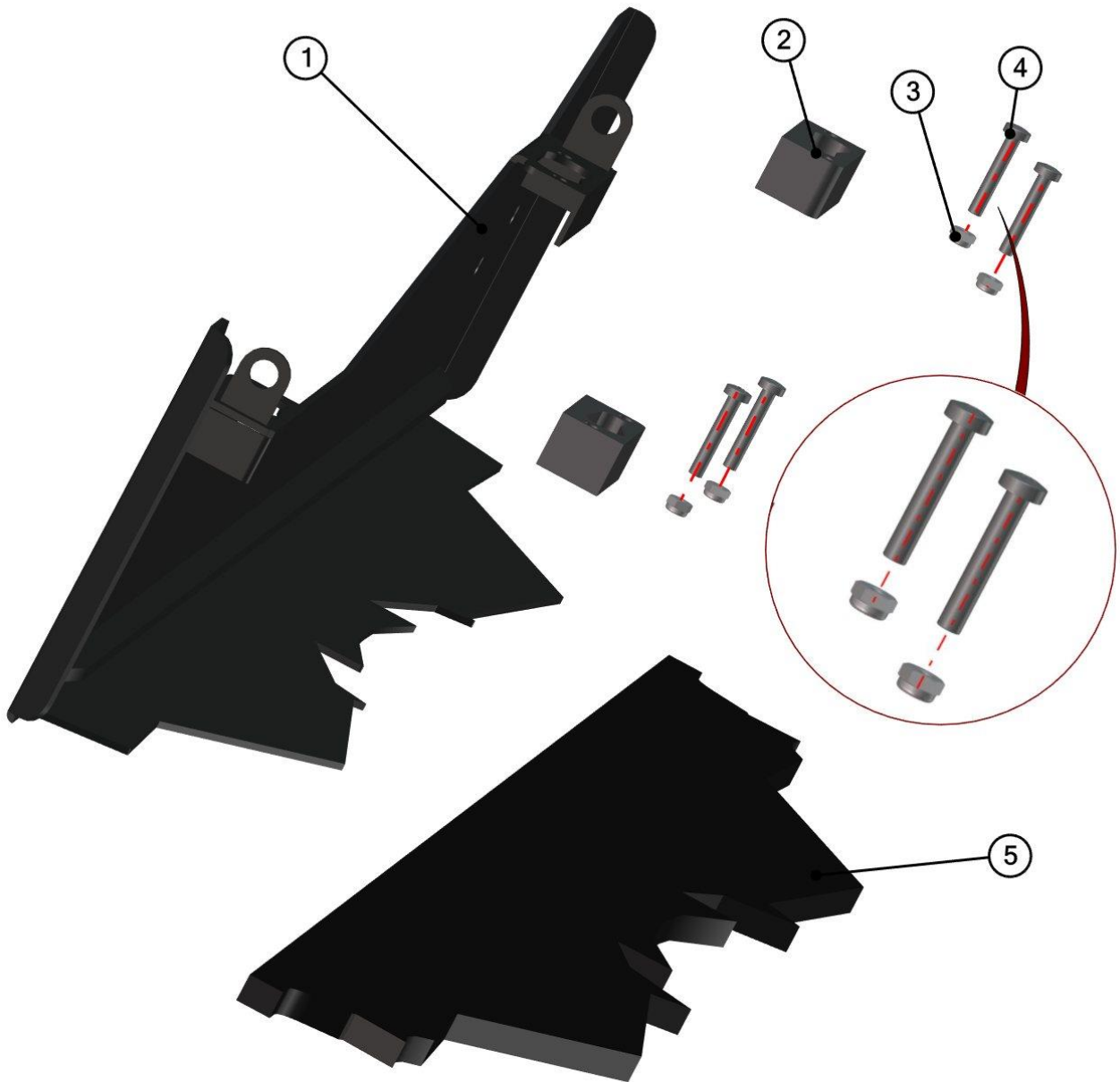
41S06U01-10M004



| ID | Catalogue no. | Description | Qty |
|----|-----------------|--------------------------------|-----|
| 1 | 002121 | SCREW M8x30 | 2 |
| 2 | 001429 | PLASTIC WASHER | 2 |
| 3 | 001428 | RUBBER WASHER | 2 |
| 4 | 003322 | WASHER 8 LARGE | 2 |
| 5 | 001388 | SELF-LOCKING NUT M8 | 2 |
| 6 | 001309 | PLASTIC NUT COVER OK13 | 2 |
| 7 | 41S06U01-10W003 | LEFT FRONT BOTTOM LEDGE HOLDER | 1 |
| 8 | 41S06U01-10-012 | FRAME GAP WASHER | 1 |

For the RIGHT FRONT BOTTOM LEDGE HOLDER just use **41S06U01-10W004**.

FRONT BOTTOM LEDGE ASSEMBLY
41S06U01-10M001

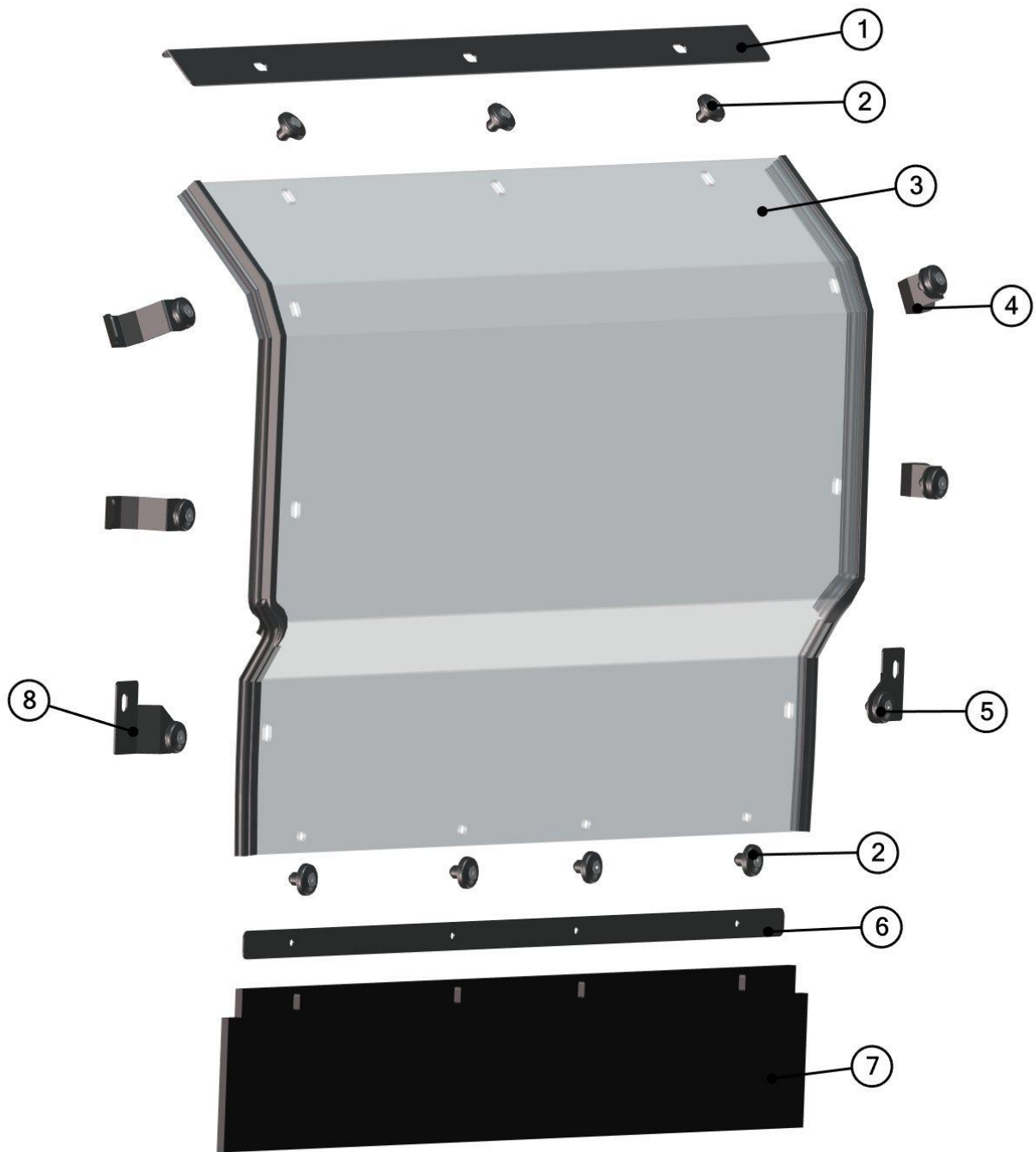


10

| ID | Catalogue no. | Description | Qty |
|----|-----------------|---------------------------|-----|
| 1 | 41S06U01-10W002 | FRONT BOTTOM LEDGE WELDED | 1 |
| 2 | 41S06U01-10-016 | FRONT GLASS STOP | 2 |
| 3 | 001776 | SELF-LOCKING NUT M5 | 4 |
| 4 | 002591 | SCREW M5x30 | 4 |
| 5 | 41S06U01-10-005 | FRONT BOTTOM LEDGE EPDM | 1 |

REAR PANEL

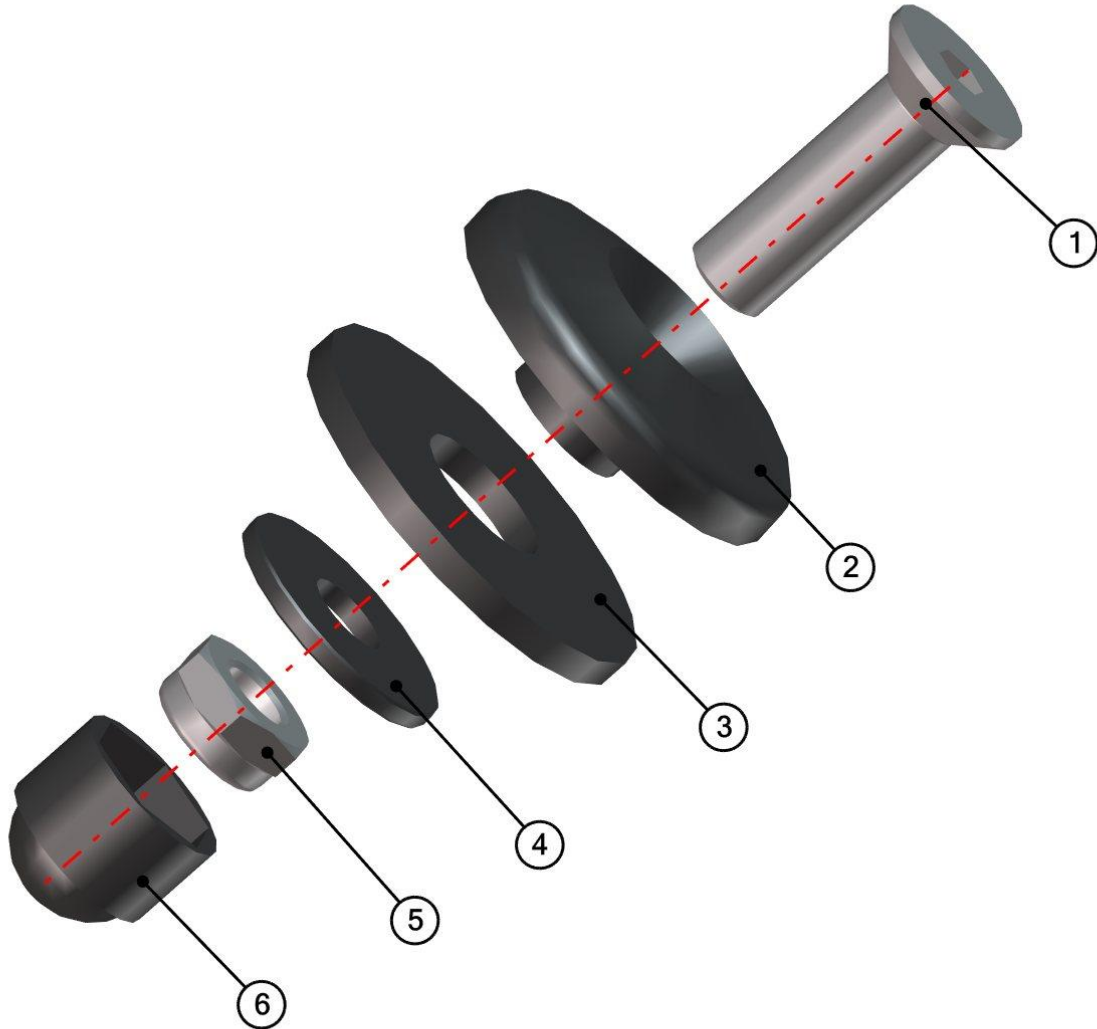




12

| ID | Catalogue no. | Description | Qty |
|----|-----------------|-----------------------------------|-----|
| 1 | 41S06U01-20-010 | REAR UPPER LEDGE | 1 |
| 2 | 00-117U-M002 | FIXING ASSEMBLY | 7 |
| 3 | 41S06U01-20M006 | REAR POLYCARBONATE WITH SEALING | 1 |
| 4 | 41S06U01-20M002 | REAR HOLDER ASSEMBLY | 4 |
| 5 | 41S06U01-20M004 | RIGHT REAR BOTTOM HOLDER ASSEMBLY | 1 |
| 6 | 41S06U01-20-007 | REAR BOTTOM LEDGE | 1 |
| 7 | 41S06U01-20-006 | REAR BOTTOM EPDM | 1 |
| 8 | 41S06U01-20M003 | LEFT REAR BOTTOM HOLDER ASSEMBLY | 1 |

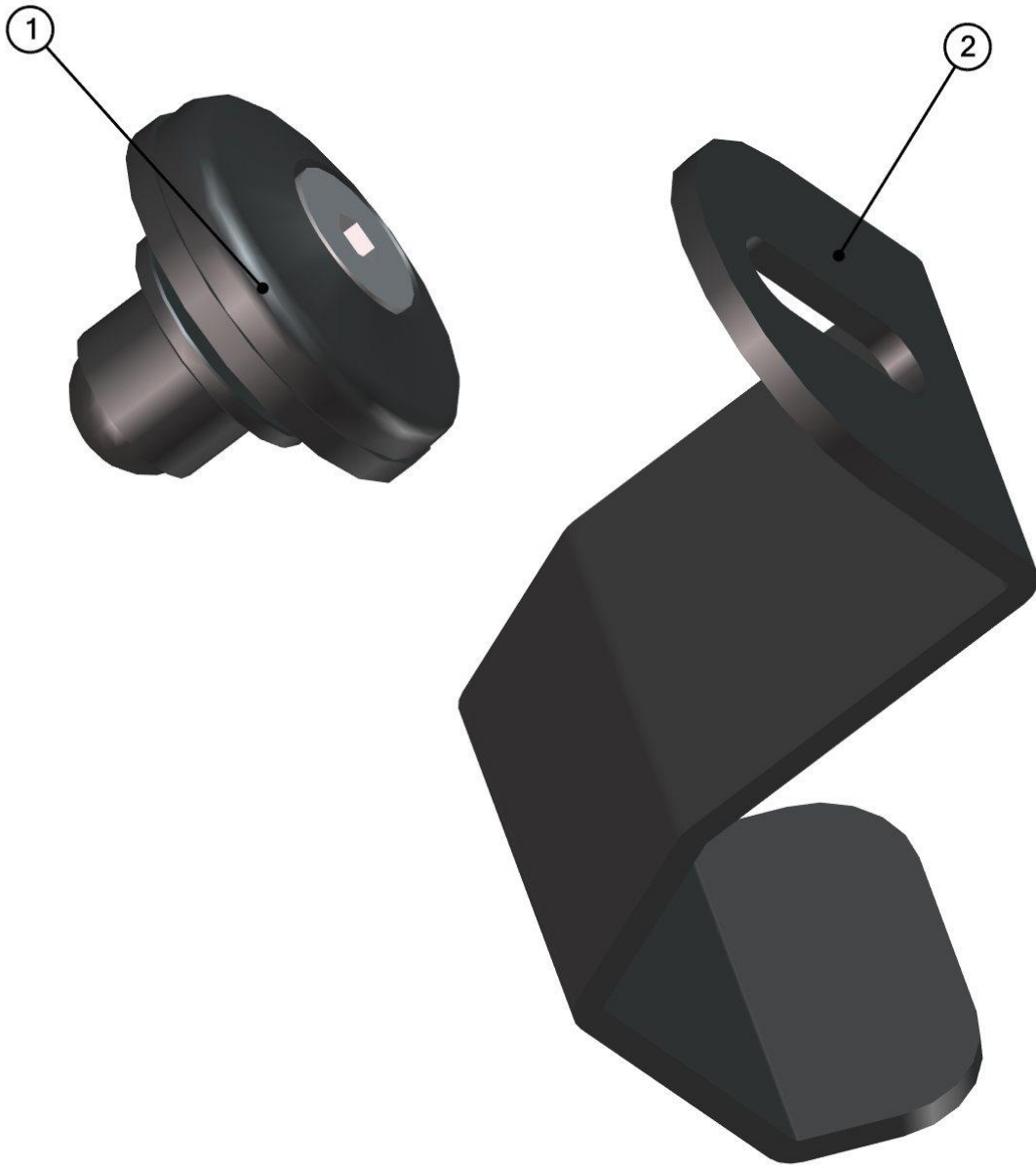
FIXING ASSEMBLY
00-117U-M002



13

| ID | Catalogue no. | Description | Qty |
|----|---------------|------------------------|-----|
| 1 | 002121 | SCREW M8x30 | 1 |
| 2 | 001429 | PLASTIC WASHER | 1 |
| 3 | 001428 | RUBBER WASHER | 1 |
| 4 | 003322 | WASHER 8 LARGE | 1 |
| 5 | 001388 | SELF-LOCKING NUT M8 | 1 |
| 6 | 001309 | PLASTIC NUT COVER OK13 | 1 |

REAR HOLDER ASSEMBLY
41S06U01-20M002



| ID | Catalogue no. | Description | Qty |
|----|-----------------|-----------------|-----|
| 1 | 00-117U-M002 | FIXING ASSEMBLY | 1 |
| 2 | 41S06U01-20-002 | REAR HOLDER | 1 |

RIGHT REAR BOTTOM HOLDER ASSEMBLY

41S06U01-20M003



15

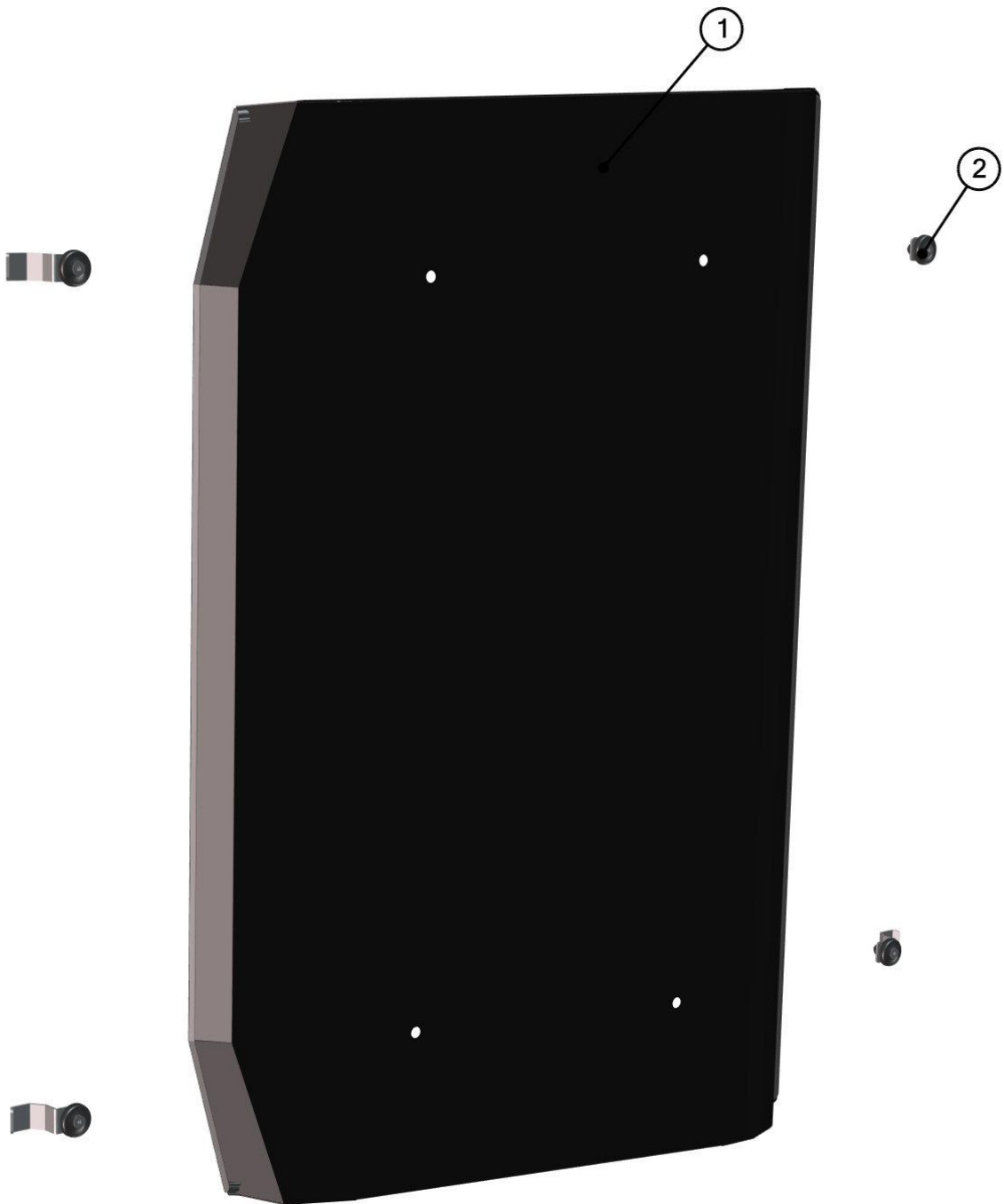
| ID | Catalogue no. | Description | Qty |
|----|-----------------|--------------------------|-----|
| 1 | 00-117U-M002 | FIXING ASSEMBLY | 1 |
| 2 | 41S06U01-20-004 | RIGHT REAR BOTTOM HOLDER | 1 |

For the LEFT REAR BOTTOM HOLDER just use **41S06U01-20-003**.

ROOF

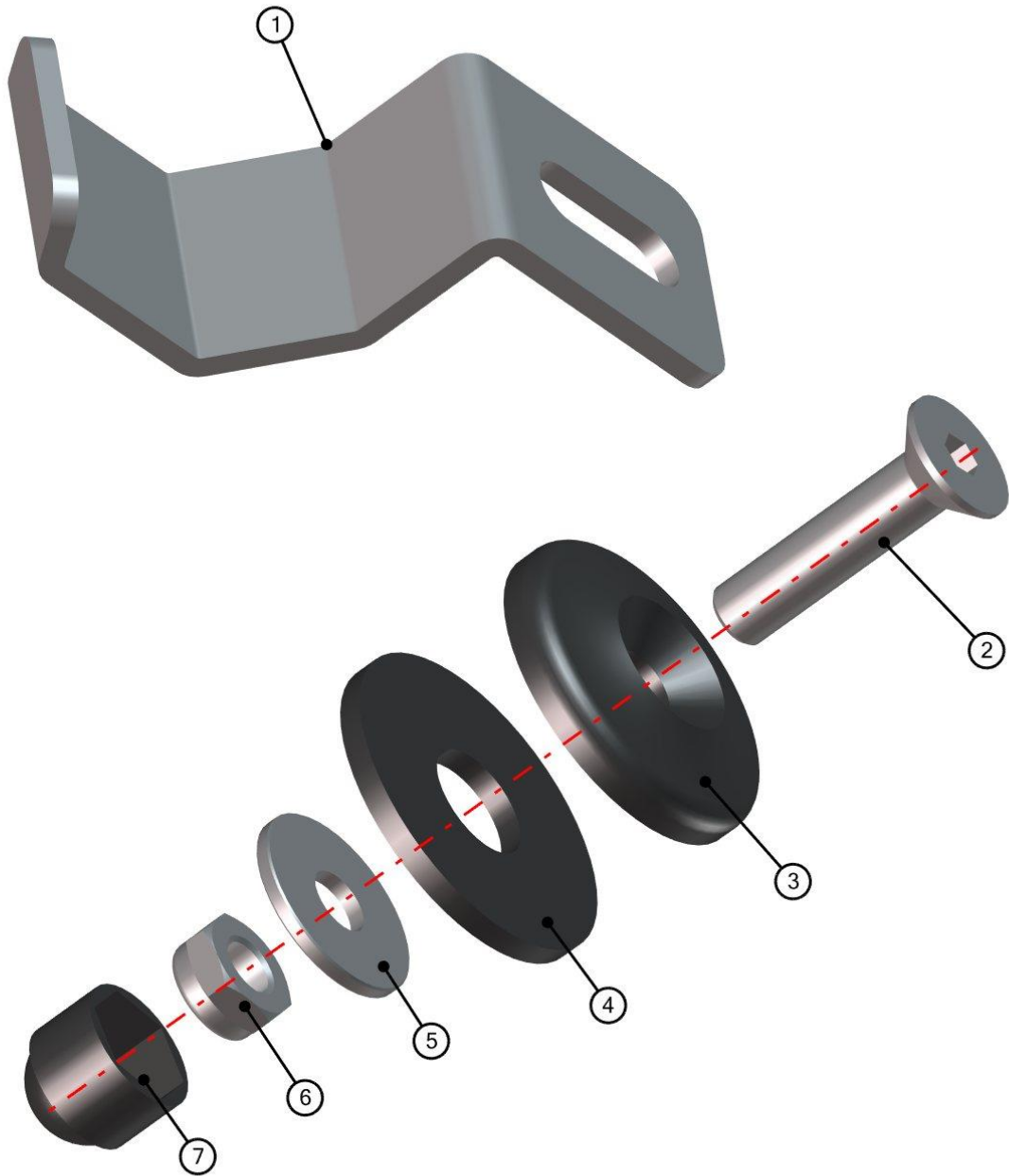


16



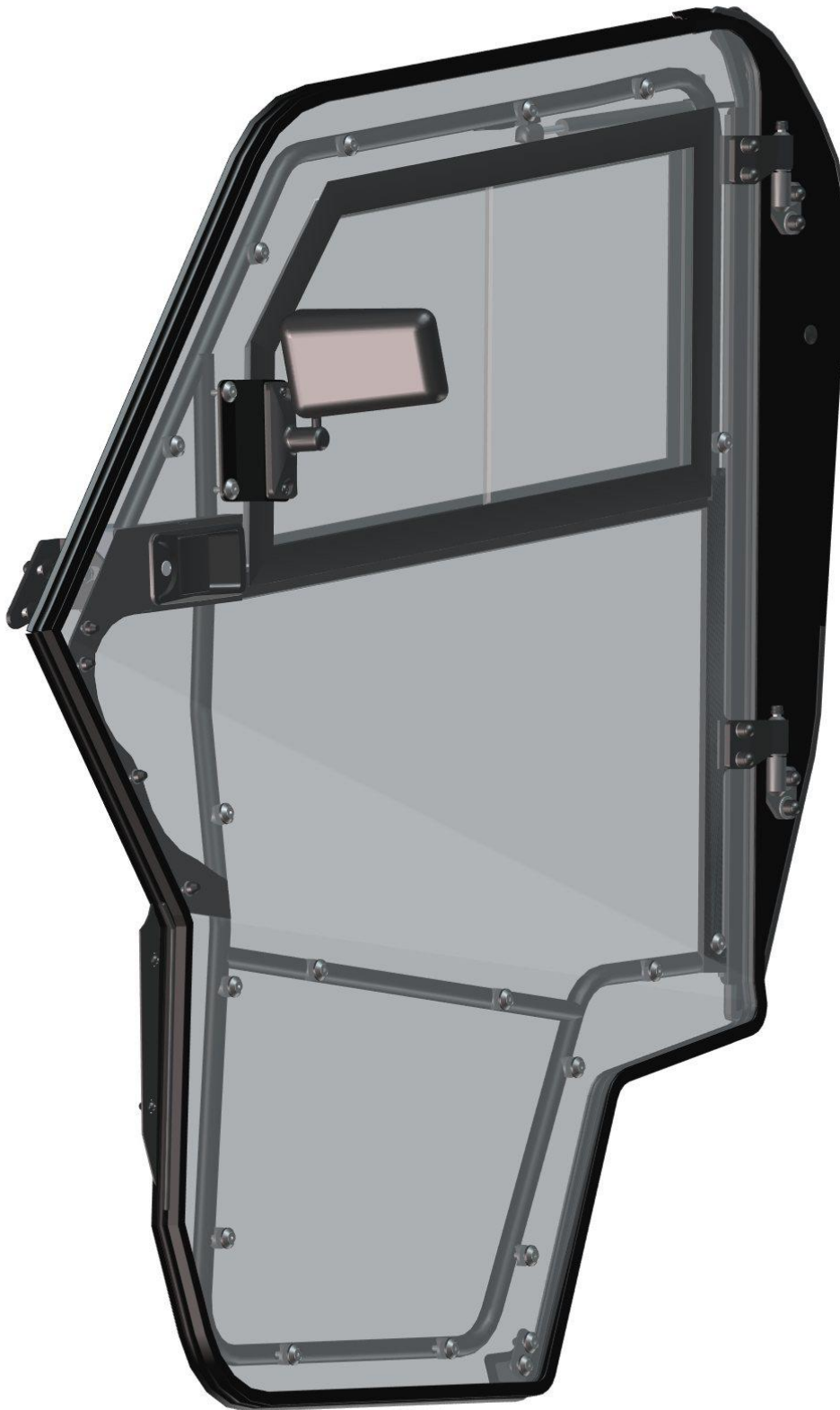
| ID | Catalogue no. | Description | Qty |
|----|-----------------|----------------------|-----|
| 1 | 41S06U01-30M001 | ROOF PANEL | 1 |
| 2 | 41S04U01-30M001 | ROOF HOLDER ASSEMBLY | 4 |

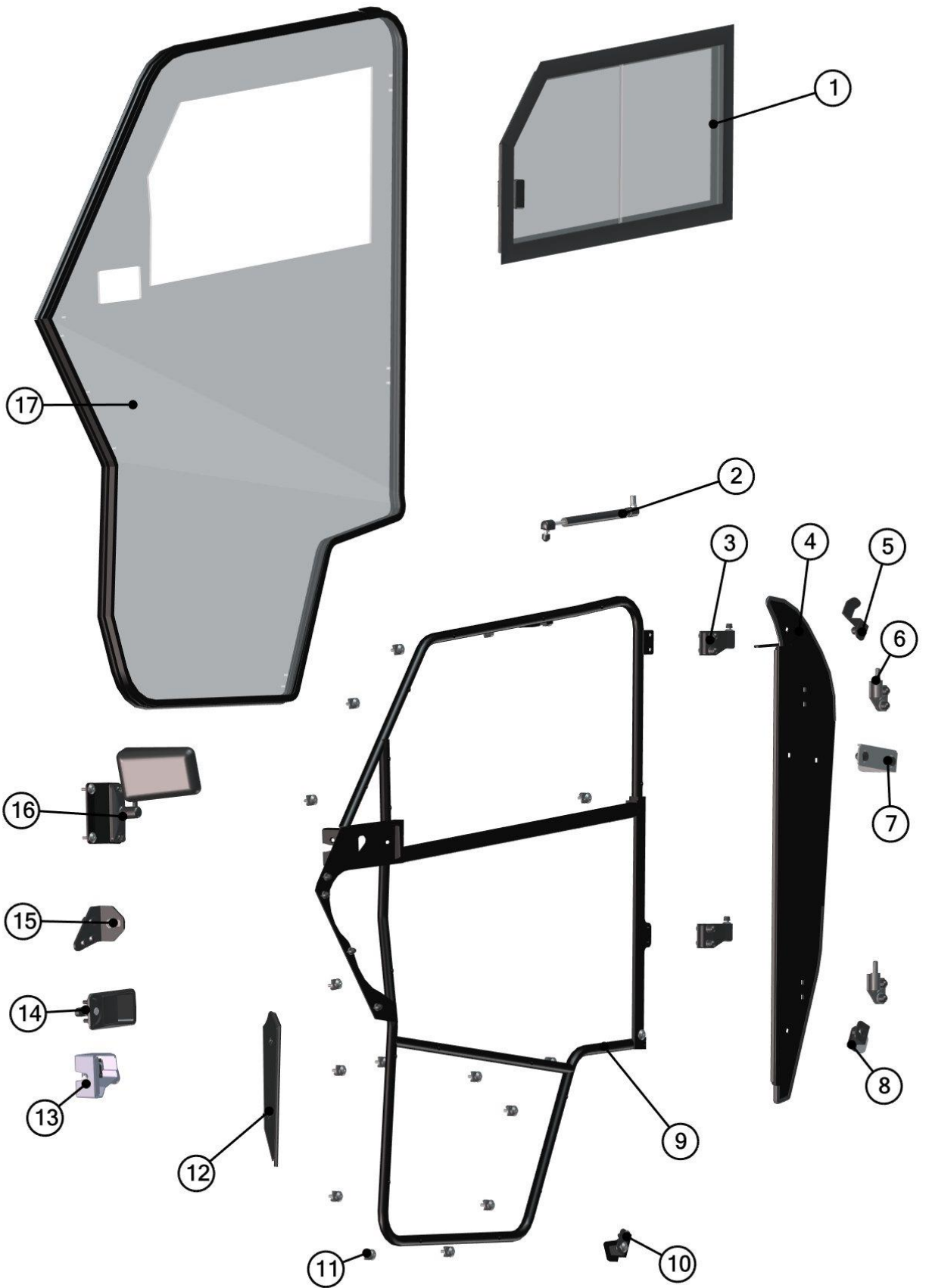
ROOF HOLDER ASSEMBLY
41S04U01-30M001



| ID | Catalogue no. | Description | Qty |
|----|-----------------|------------------------|-----|
| 1 | 41S04U01-30-003 | ROOF HOLDER | 1 |
| 2 | 001760 | SCREW M8x35 | 1 |
| 3 | 001429 | PLASTIC WASHER | 1 |
| 4 | 001428 | RUBBER WASHER | 1 |
| 5 | 001407 | WASHER 8 LARGE | 1 |
| 6 | 001388 | SELF-LOCKING NUT M8 | 1 |
| 7 | 001309 | PLASTIC NUT COVER OK13 | 1 |

LEFT DOOR + RIGHT DOOR





LEFT TABLE

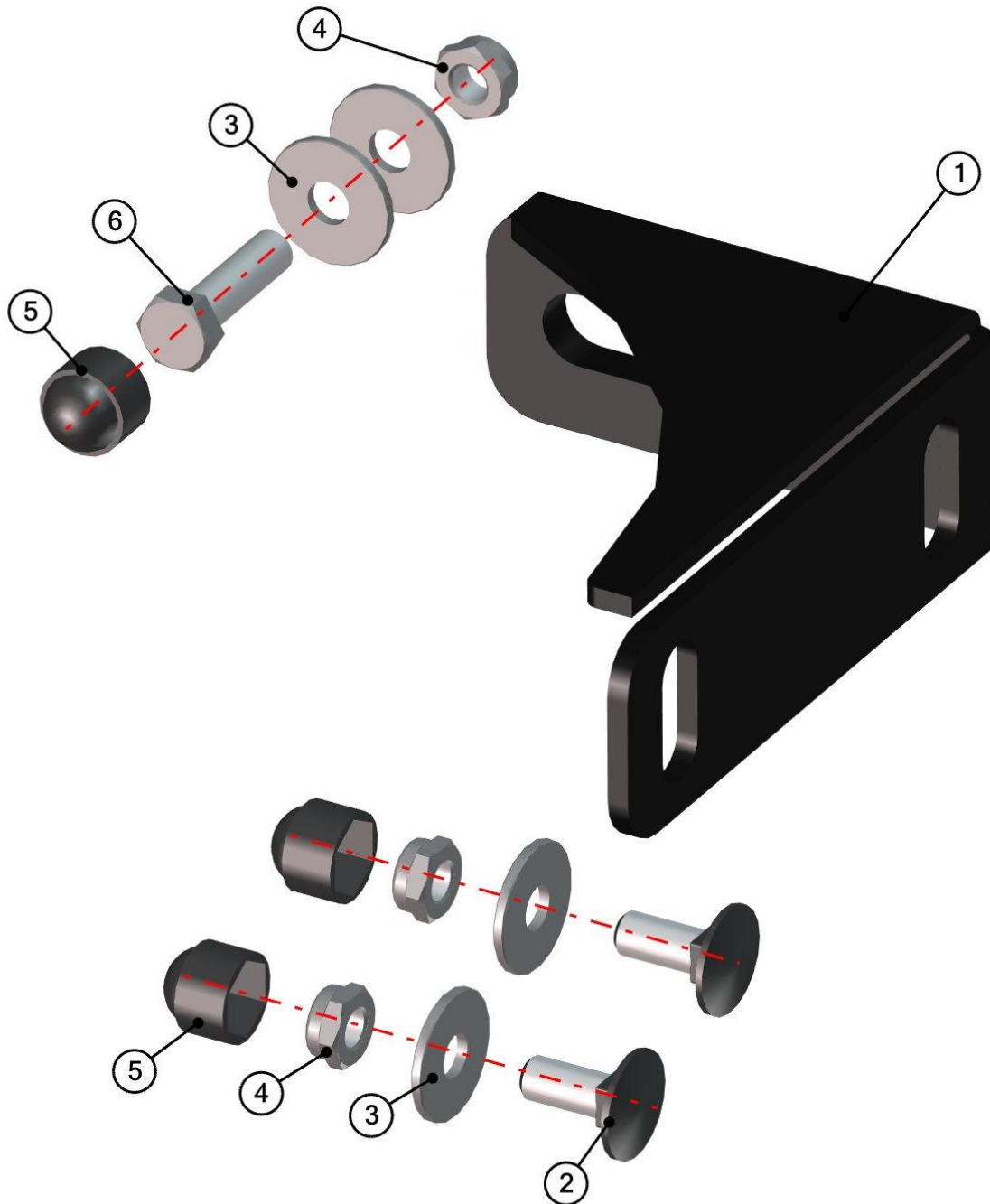
| ID | Catalogue no. | Description | Qty |
|----|-----------------|---------------------------------------|-----|
| 1 | 41S06U01-40M005 | LEFT WINDOW ASSEMBLY | 1 |
| 2 | 00-40M004 | GAS SPRING ASSEMBLY | 1 |
| 3 | 41S06U01-40M004 | LEFT DOOR HINGE | 2 |
| 4 | 41S06U01-40M007 | LEFT DOOR BASE | 1 |
| 5 | 41S06U01-40M014 | LEFT DOOR BASE UPPER HOLDER ASSEMBLY | 1 |
| 6 | 41S04U01-40M004 | LEFT FRAME HINGE | 2 |
| 7 | 41S04U01-40M005 | LEFT DOOR BASE MIDDLE HOLDER ASSEMBLY | 1 |
| 8 | 41S06U01-40M003 | LEFT DOOR BASE BOTTOM HOLDER ASSEMBLY | 1 |
| 9 | 41S06U01-40W001 | LEFT DOOR FRAME WELDED | 1 |
| 10 | 41S06U01-40M006 | LEFT DOOR BOTTOM SEALING ASSEMBLY | 1 |
| 11 | 00-00M019 | POLYCARBONATE FIXING ASSEMBLY | 16 |
| 12 | 41S06U01-40M008 | LEFT DOOR FRONT SEALING | 1 |
| 13 | 001743 | LEFT INNER DOOR LOCK | 1 |
| 14 | 000841 | OUTER DOOR LOCK | 1 |
| 15 | 41S06U01-40M009 | LEFT DOOR STOP ASSEMBLY | 1 |
| 16 | 00-109U-M003 | LEFT DOOR MIRROR ASSEMBLY | 1 |
| 17 | 41S06U01-40M010 | LEFT POLYCARBONATE WITH SEALING | 1 |

RIGHT TABLE

| ID | Catalogue no. | Description | Qty |
|----|-----------------|--|-----|
| 1 | 41S06U01-50M005 | RIGHT WINDOW ASSEMBLY | 1 |
| 2 | 00-40M004 | GAS SPRING ASSEMBLY | 1 |
| 3 | 41S06U01-50M004 | RIGHT DOOR HINGE | 2 |
| 4 | 41S06U01-50M007 | RIGHT DOOR BASE | 1 |
| 5 | 41S06U01-50M014 | RIGHT DOOR BASE UPPER HOLDER ASSEMBLY | 1 |
| 6 | 41S04U01-50M004 | RIGHT FRAME HINGE | 2 |
| 7 | 41S04U01-50M005 | RIGHT DOOR BASE MIDDLE HOLDER ASSEMBLY | 1 |
| 8 | 41S06U01-50M003 | RIGHT DOOR BASE BOTTOM HOLDER ASSEMBLY | 1 |
| 9 | 41S06U01-50W001 | RIGHT DOOR FRAME WELDED | 1 |
| 10 | 41S06U01-50M006 | RIGHT DOOR BOTTOM SEALING ASSEMBLY | 1 |
| 11 | 00-00M019 | POLYCARBONATE FIXING ASSEMBLY | 16 |
| 12 | 41S06U01-50M008 | RIGHT DOOR FRONT SEALING | 1 |
| 13 | 001744 | RIGHT INNER DOOR LOCK | 1 |
| 14 | 000841 | OUTER DOOR LOCK | 1 |
| 15 | 41S06U01-50M009 | RIGHT DOOR STOP ASSEMBLY | 1 |
| 16 | 00-109U-M004 | RIGHT DOOR MIRROR ASSEMBLY | 1 |
| 17 | 41S06U01-50M010 | RIGHT POLYCARBONATE WITH SEALING | 1 |

LEFT DOOR BASE MIDDLE HOLDER ASSEMBLY

41S04U01-40M005

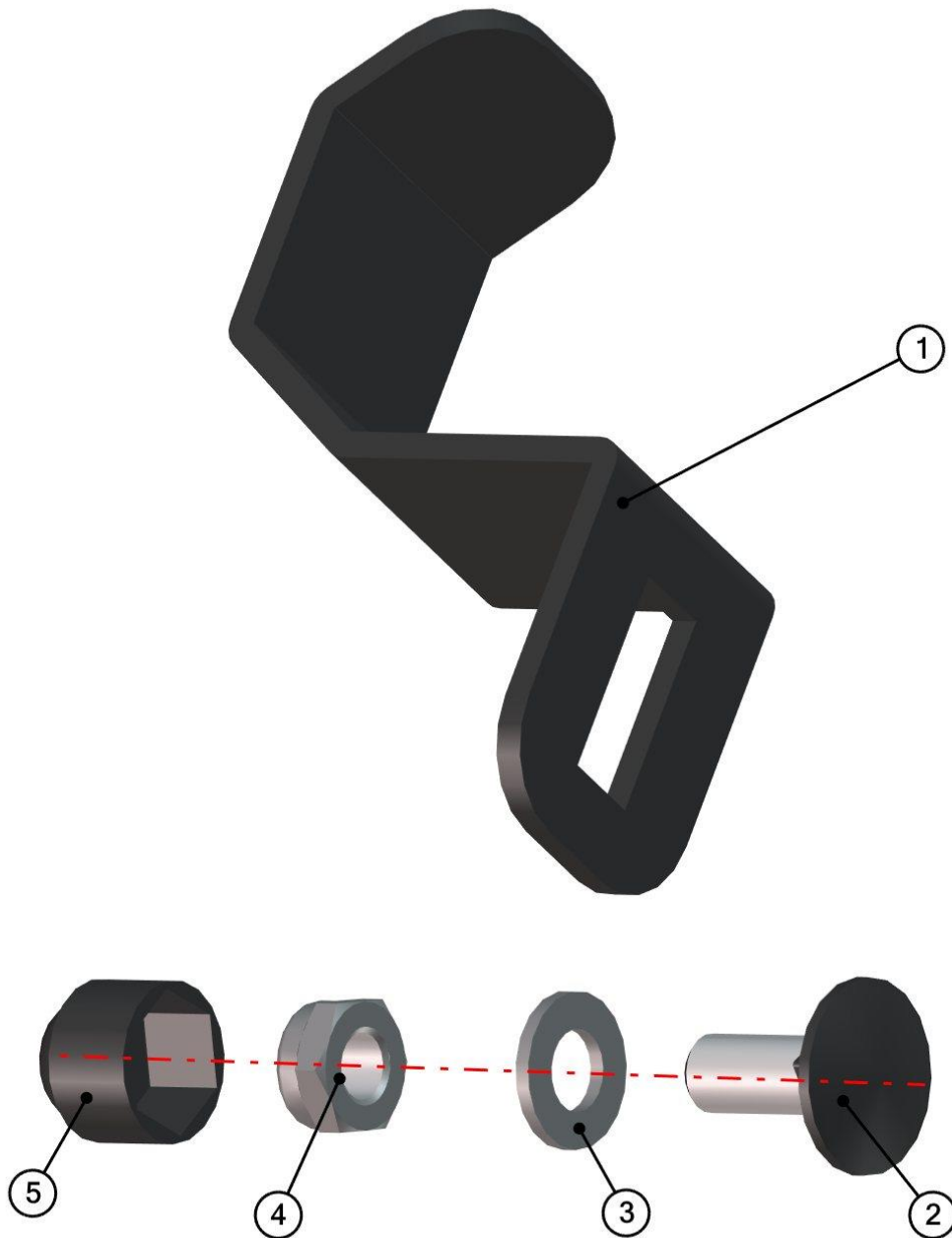


| ID | Catalogue no. | Description | Qty |
|----|-----------------|------------------------------|-----|
| 1 | 41S04U01-40W004 | LEFT DOOR BASE MIDDLE HOLDER | 1 |
| 2 | 002575 | SCREW M8x20 | 2 |
| 3 | 001407 | WASHER 8 LARGE | 4 |
| 4 | 001388 | SELF-LOCKING NUT M8 | 3 |
| 5 | 001309 | PLASTIC NUT COVER OK13 | 3 |
| 6 | 001411 | SCREW M8x30 | 1 |

For the RIGHT DOOR BASE MIDDLE HOLDER just use **41S04U01-40W004**.

LEFT DOOR BASE UPPER HOLDER ASSEMBLY

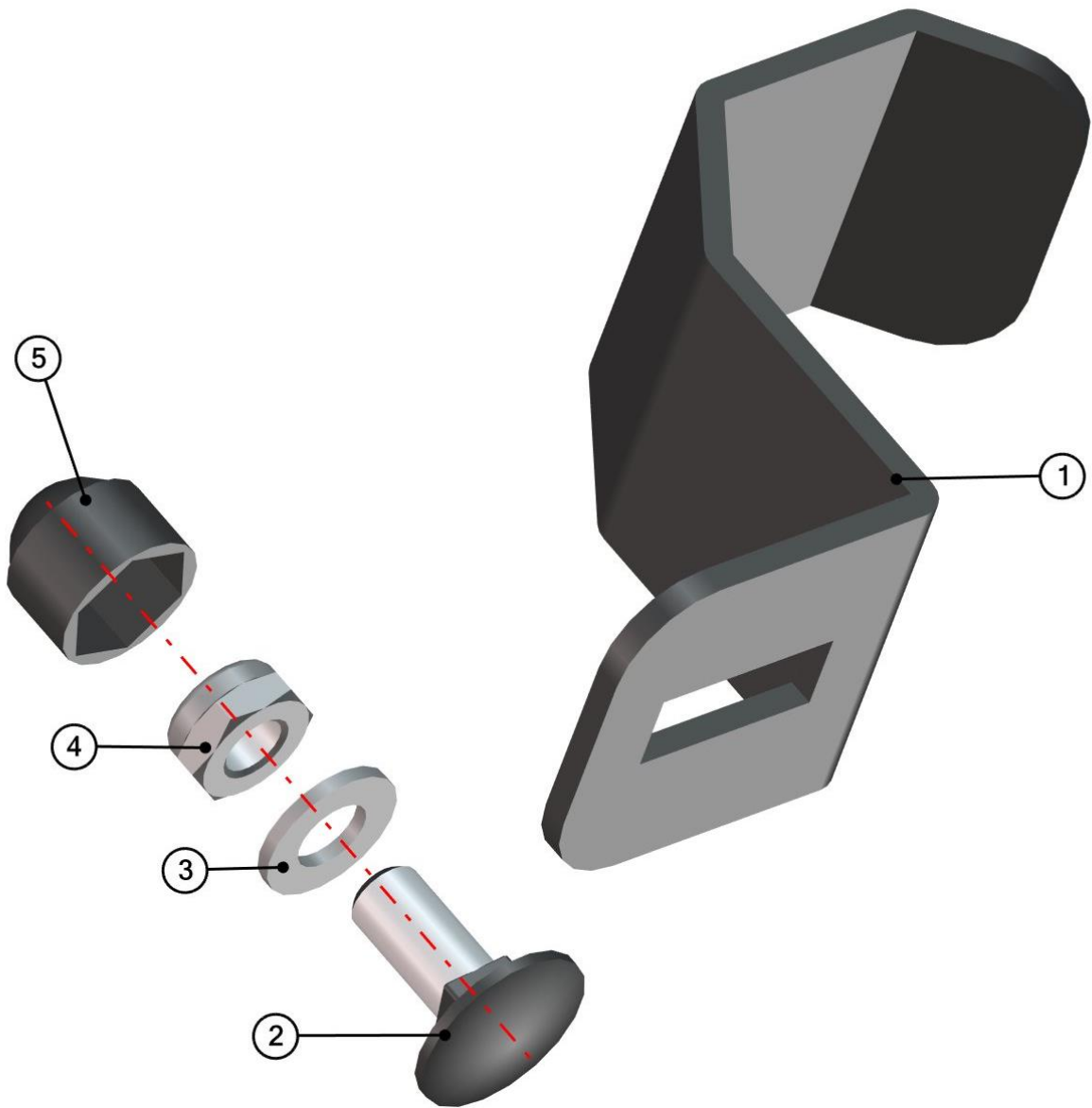
41S06U01-40M014



| ID | Catalogue no. | Description | Qty |
|----|-----------------|-----------------------------|-----|
| 1 | 41S06U01-40-024 | LEFT DOOR BASE UPPER HOLDER | 1 |
| 2 | 002575 | SCREW M8x20 | 1 |
| 3 | 001387 | WASHER 8 | 1 |
| 4 | 001388 | SELF-LOCKING NUT M8 | 1 |
| 5 | 001309 | PLASTIC NUT COVER OK13 | 1 |

For the RIGHT DOOR BASE UPER HOLDER just use **41S06U01-50-24**.

LEFT DOOR BASE BOTTOM HOLDER
41S06U01-40M003



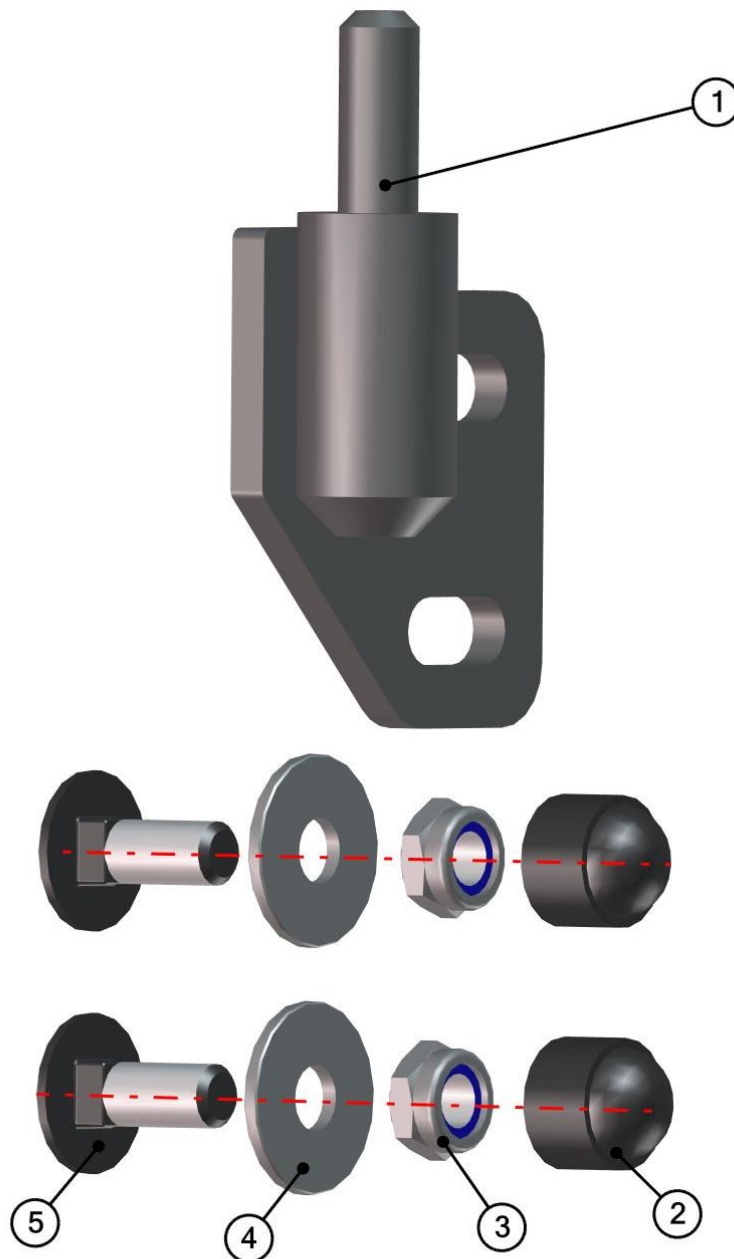
24

| ID | Catalogue no. | Description | Qty |
|----|-----------------|------------------------------|-----|
| 1 | 41S06U01-40-004 | LEFT DOOR BASE BOTTOM HOLDER | 1 |
| 2 | 002575 | SCREW M8x20 | 1 |
| 3 | 001387 | WASHER 8 | 1 |
| 4 | 001388 | SELF-LOCKING NUT M8 | 1 |
| 5 | 001309 | PLASTIC NUT COVER OK13 | 1 |

For the RIGHT DOOR BASE BOTTOM holder just use **41S06U01-50-004**.

LEFT FRAME HINGE ASSEMBLY

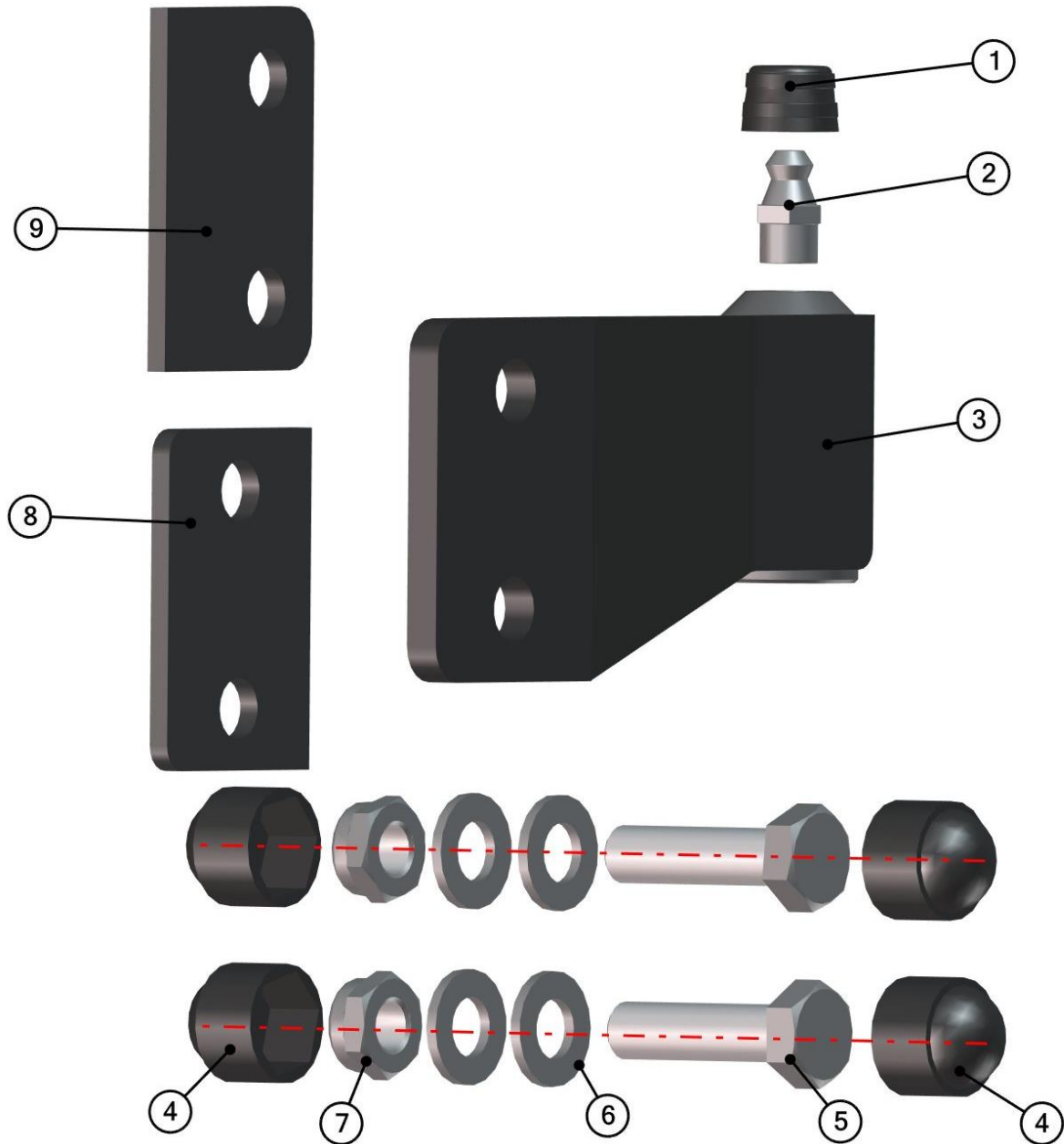
41S04U01-40M004



| ID | Catalogue no. | Description | Qty |
|----|---------------|------------------------|-----|
| 1 | 00-105U-W002 | LEFT FRAME HINGE | 1 |
| 2 | 001309 | PLASTIC NUT COVER OK13 | 2 |
| 3 | 001388 | SELF-LOCKING NUT M8 | 2 |
| 4 | 001407 | WASHER 8 LARGE | 2 |
| 5 | 002575 | SCREW M8x20 | 2 |

For the RIGHT FRAME HINGE just use **00-105U-W001**.

LEFT DOOR HINGE ASSEMBLY
41S06U01-40M004



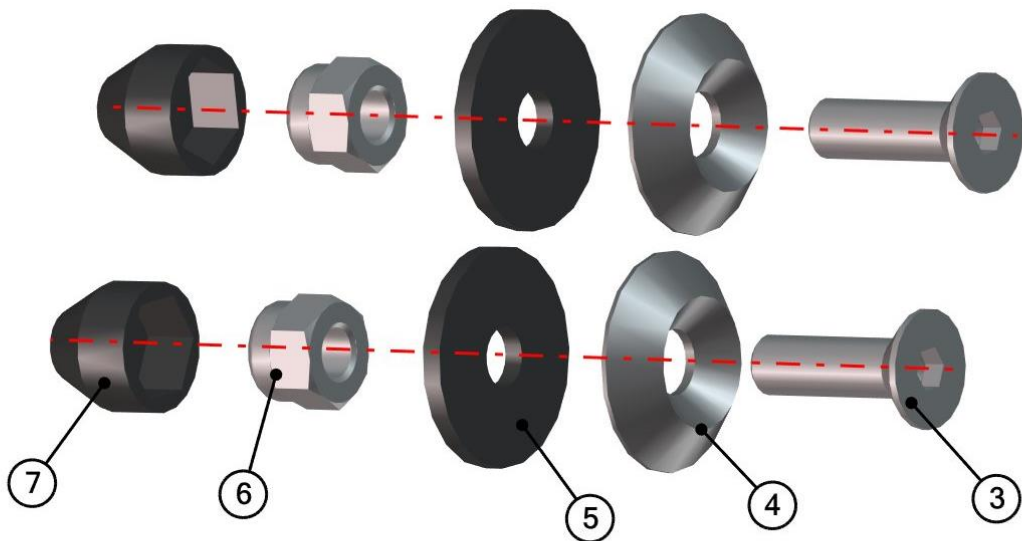
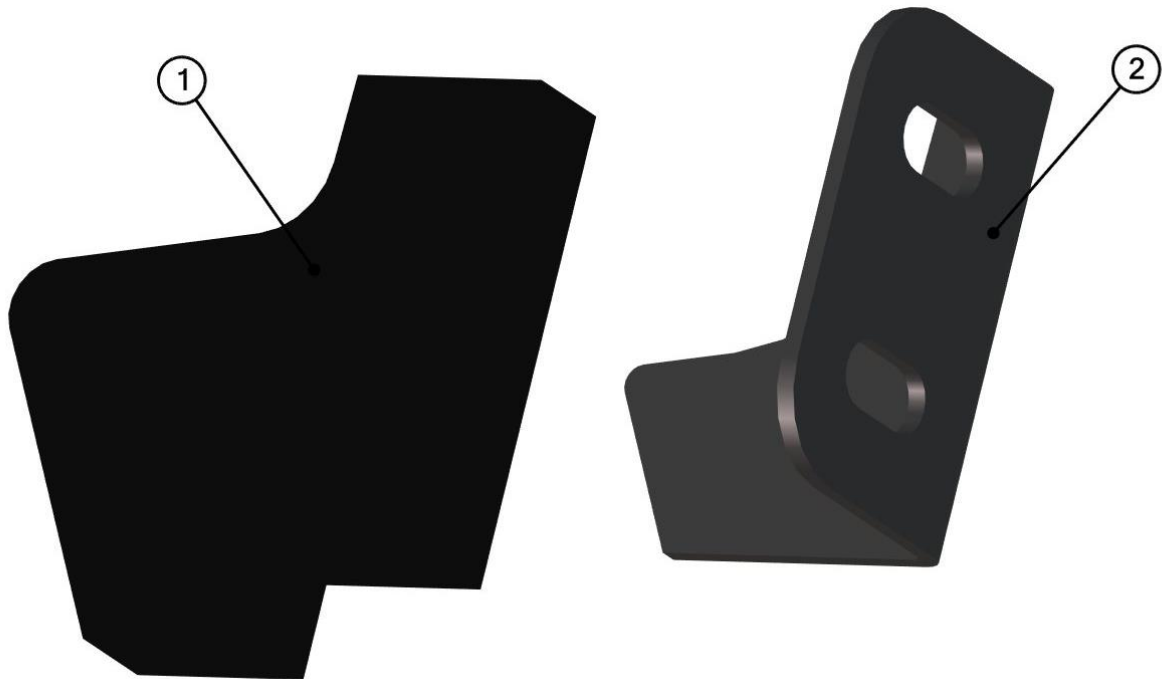
26

| ID | Catalogue no. | Description | Qty |
|----|-----------------|-------------------------|-----|
| 1 | 001431 | RUBBER COVER | 1 |
| 2 | 001430 | LUBRICATOR | 1 |
| 3 | 41S06U01-40W002 | LEFT DOOR HINGE WELDED | 1 |
| 4 | 001309 | PLASTIC NUT COVER OK 13 | 4 |
| 5 | 001411 | SCREW M8x30 | 2 |
| 6 | 001387 | WASHER 8 | 4 |
| 7 | 001388 | SELF-LOCKING NUT M8 | 2 |
| 8 | 41S06U01-40-012 | FRAME WASHER | 1 |
| 9 | 41S06U01-40-013 | HINGE WASHER | 1 |

For the RIGHT DOOR HINGE WELDED just use **41S06U01-50W002**.

LEFT DOOR BOTTOM SEALING ASSEMBLY

41S06U01-40M006

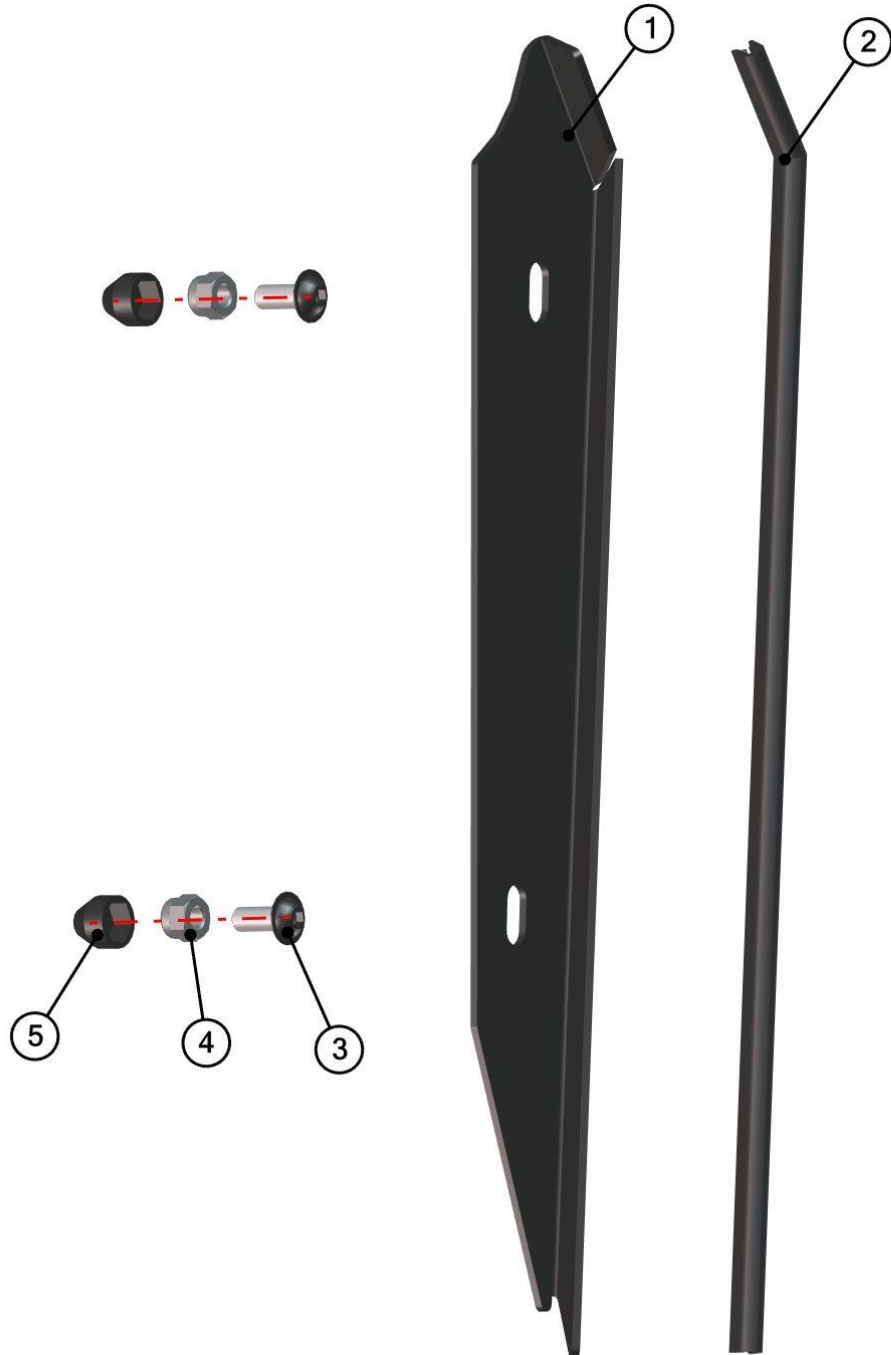


| ID | Catalogue no. | Description | Qty |
|----|-----------------|--------------------------|-----|
| 1 | 41S06U01-40-018 | DOOR BOTTOM SEALING EPDM | 1 |
| 2 | 41S06U01-40-017 | LEFT DOOR BOTTOM SEALING | 1 |
| 3 | 001443 | SCREW M6x20 | 2 |
| 4 | 001715 | PLASTIC WASHER | 2 |
| 5 | 001735 | RUBBER WASHER | 2 |
| 6 | 001392 | SELF-LOCKING NUT M6 | 2 |
| 7 | 001348 | PLASTIC NUT COVER OK 10 | 2 |

For the RIGHT DOOR BOTTOM SEALING just use **41S06U01-50-017**.

LEFT DOOR FRONT SEALING ASSEMBLY

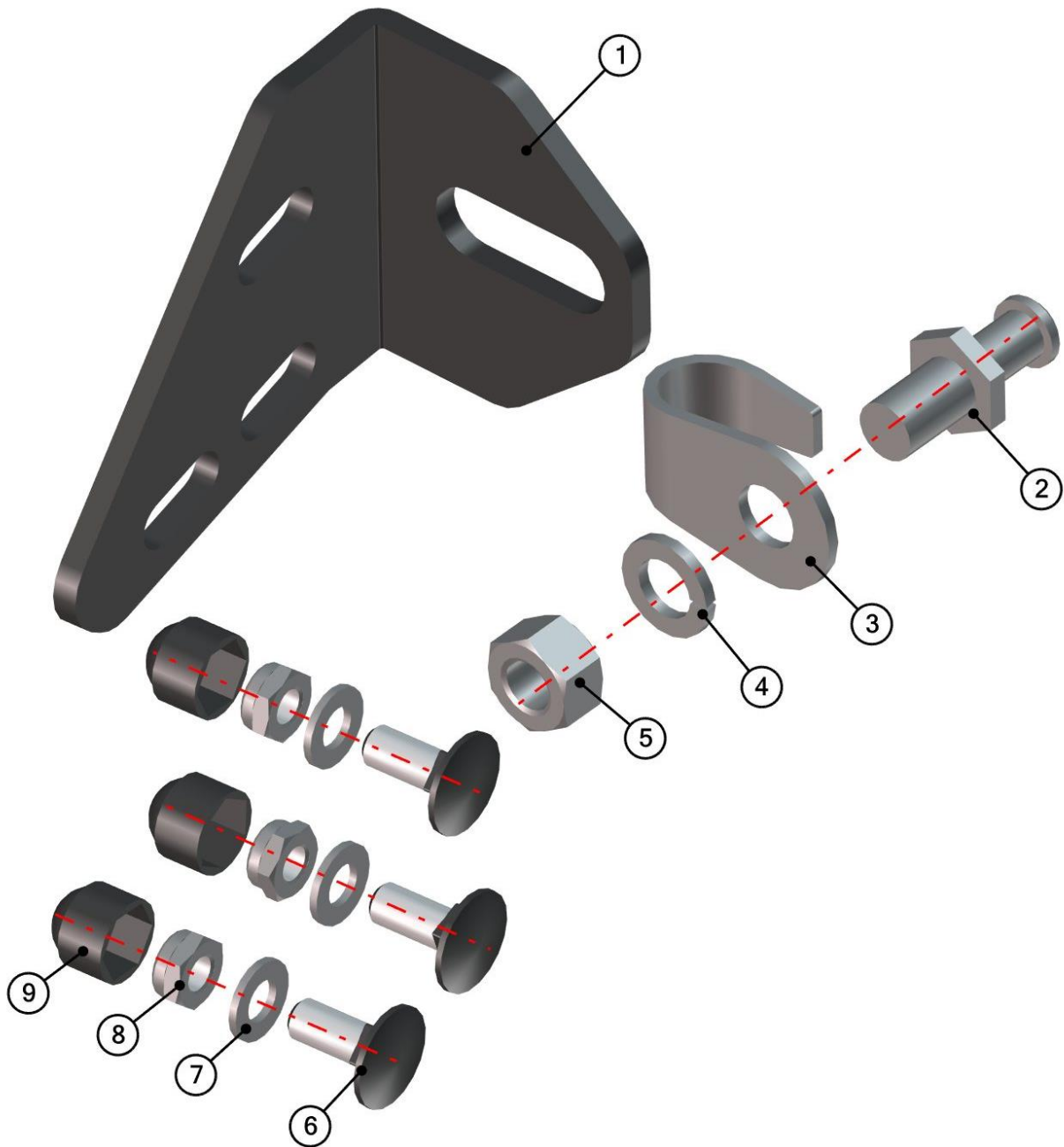
41S06U01-40M008



| ID | Catalogue no. | Description | Qty |
|----|------------------------|-------------------------------|-----|
| 1 | 41S06U01-40-007 | LEFT DOOR FRONT SEALING LEDGE | 1 |
| 2 | 001001^41S06U01-40M008 | RUBBER PROFILE "LEMOVKA" | 1 |
| 3 | 002971 | SCREW M6x15 | 2 |
| 4 | 001392 | SELF-LOCKING NUT M6 | 2 |
| 5 | 001348 | PLASTIC NUT COVER OK 10 | 2 |

For the RIGHT DOOR FRONT SEALING LEDGE just use **41S06U01-50-007**.

LEFT DOOR STOP ASSEMBLY
41S06U01-40M009

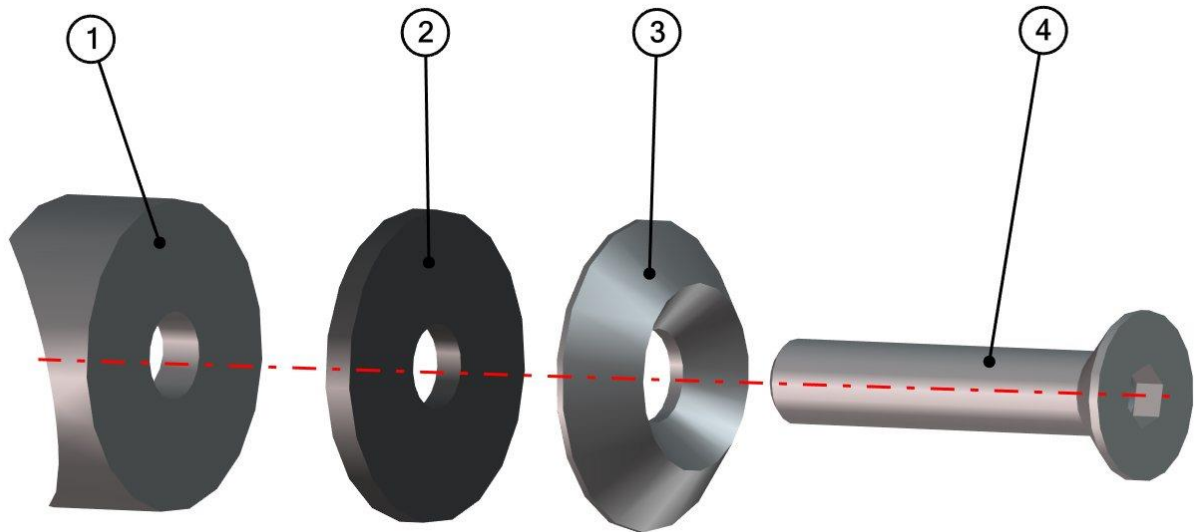


29

| ID | Catalogue no. | Description | Qty |
|----|-----------------|-------------------------|-----|
| 1 | 41S06U01-40-006 | LEFT DOOR STOP HOLDER | 1 |
| 2 | 000854 | DOOR STOP PIN | 1 |
| 3 | 000855 | DOOR STOP HOOK | 1 |
| 4 | 000857 | DOOR STOP WASHER | 1 |
| 5 | 000856 | DOOR STOP NUT | 1 |
| 6 | 002575 | SCREW M8x20 | 3 |
| 7 | 001387 | WASHER 8 | 3 |
| 8 | 001388 | SELF-LOCKING NUT M8 | 3 |
| 9 | 001309 | PLASTIC NUT COVER OK 13 | 3 |

For the RIGHT DOOR STOP HOLDER just use **41S06U01-50-006**.

POLYCARBONATE FIXING ASSEMBLY
00-00M019



30

| ID | Catalogue no. | Description | Qty |
|----|---------------|----------------|-----|
| 1 | 001736 | SADDLE WASHER | 1 |
| 2 | 001735 | RUBBER WASHER | 1 |
| 3 | 001715 | PLASTIC WASHER | 1 |
| 4 | 001701 | SCREW M6x30 | 1 |

ELECTROINSTALLATION

| Position | Catalogue no. | Description | Qty |
|----------|-----------------|----------------------------|-----|
| 1 | 002346 | HEATER 12V | 1 |
| 2 | 000968 | SWITCH – WIPER/ WASHER/OFF | 1 |
| 3 | 001576 | WASHER MOTOR | 1 |
| 4 | 001652 | FUSE BOX 2x1 | 1 |
| 5 | 000885 | WASHER COMPLETE | 1 |
| 6 | 002764 | WIPERMOTOR 12V | 1 |
| 7 | 41S06U01-01M002 | CABLE HARNESS - WIPER | 1 |
| 8 | 41S06U01-02M001 | CABLE HARNESS - HEATING | 1 |
| 9 | 00-01-001 | WASHER COMPLET HOLDER | 1 |
| 10 | 41S04U01-02W001 | HEATER HOLDER | 1 |
| 11 | 002642 | TIGHTENING STRAP Ø14-27 | 8 |
| 12 | 002386 | ELECTRIC VALVE | 1 |
| 13 | 002348 | SCREW RIVETS | 5 |
| 14 | 002491 | AIR VENT VALVE | 1 |
| 15 | 002521 | TUBE Ø18MM | 1 |
| 16 | 41S06U01-03M001 | CABLE HARNESS - WASHER | 1 |
| 17 | 002503 | “Y” COUPLING | 2 |
| 18 | 002643 | TIGHTENING STRAP Ø21-38 | 4 |

SEE NEXT PAGES



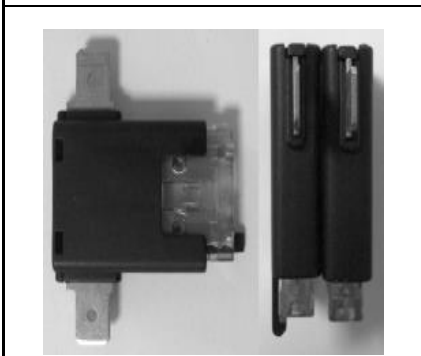
Position : 1
Catalogue no.: 002346



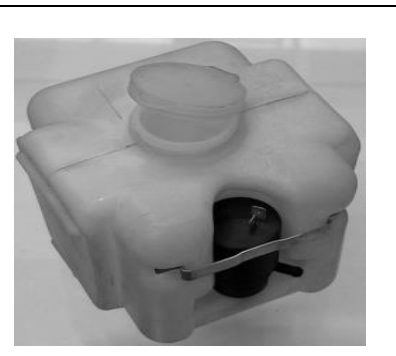
Position : 2
Catalogue no.: 000968



Position : 3
Catalogue no.: 001576



Position : 4
Catalogue no.: 001652



Position : 5
Catalogue no.: 000885



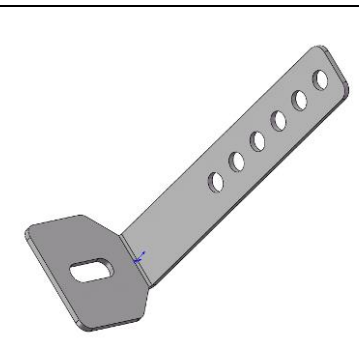
Position : 6
Catalogue no.: 002764



Position : 7
Catalogue no.: 41S06U01-01M02



Position : 8
Catalogue no.: 41S06U01-02M01



Position : 9
Catalogue no.:00-01-001



Position : 10

Catalogue no.: 41S04U01-02-001



Position : 11

Catalogue no.: 002642



Position : 12

Catalogue no.: 002386



Position : 13

Catalogue no.: 002348



Position : 14

Catalogue no.: 002491



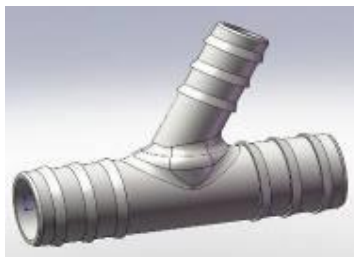
Position : 15

Catalogue no.: 002521



Position : 16

Catalogue no.: 41S06U01-03M001



Position : 17

Catalogue no.: 002503



Position : 18

Catalogue no.: 002643