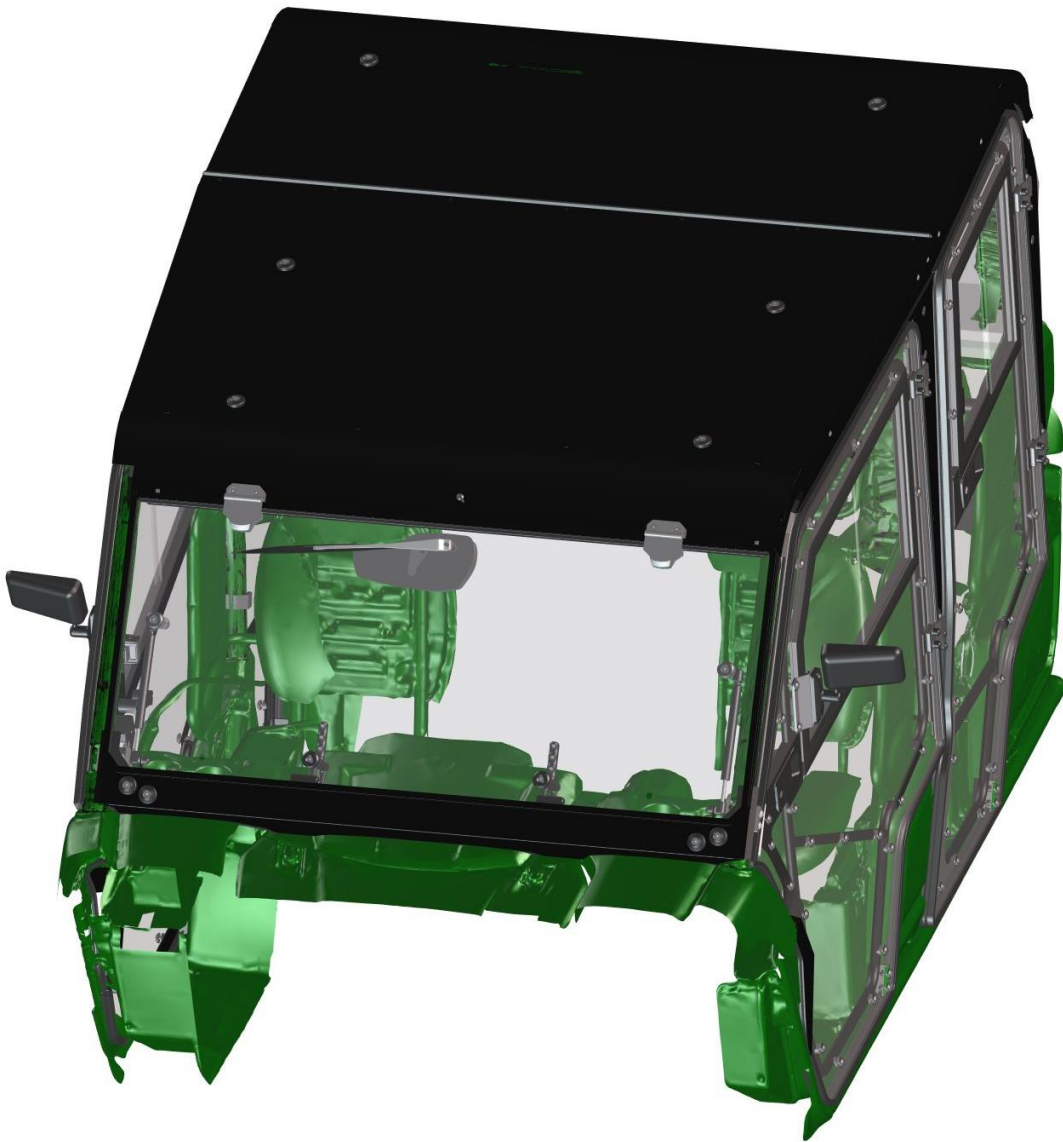


# HardCabs

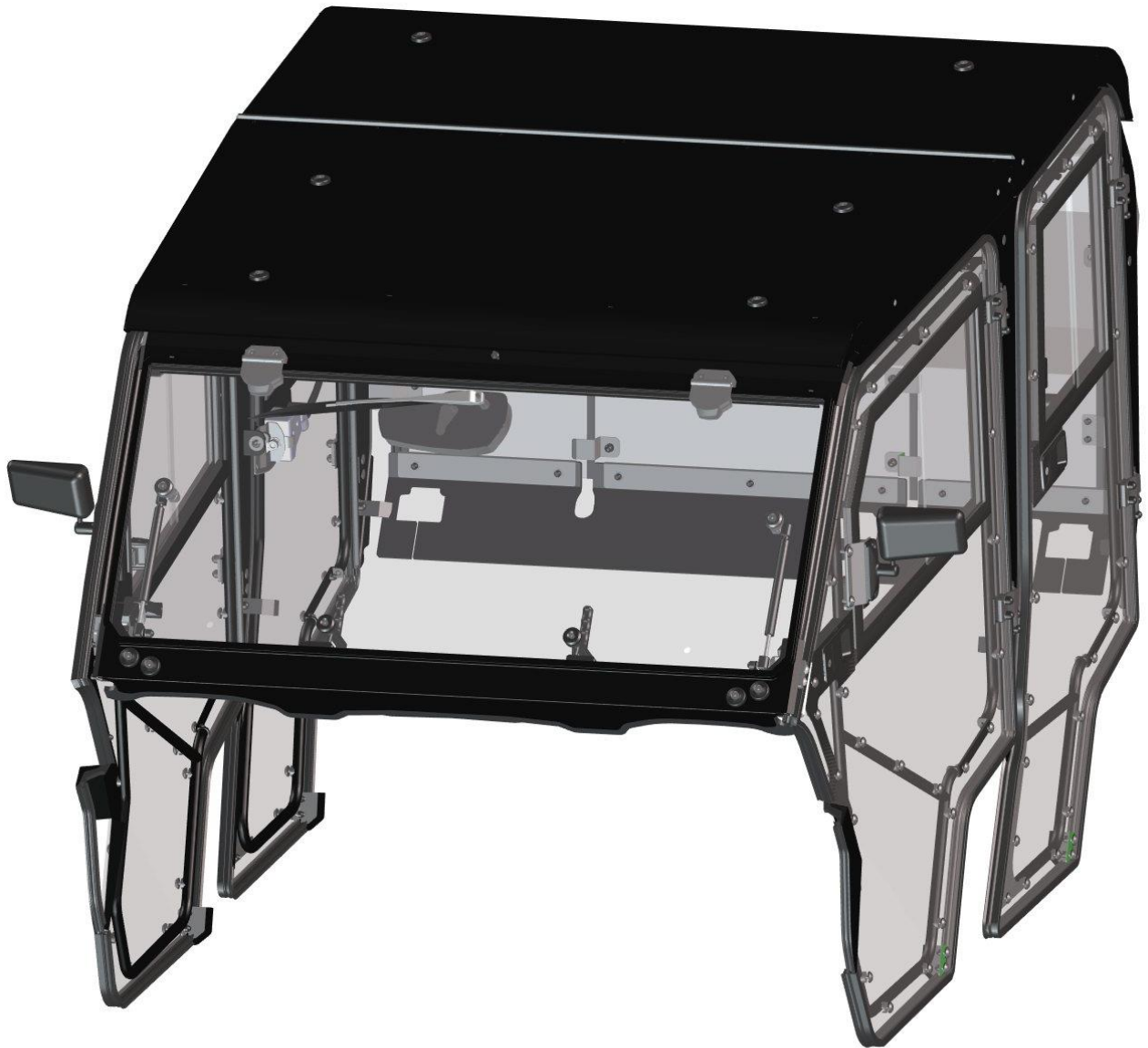
A DFK AMERICA COMPANY

SPARE - PARTS CATALOG

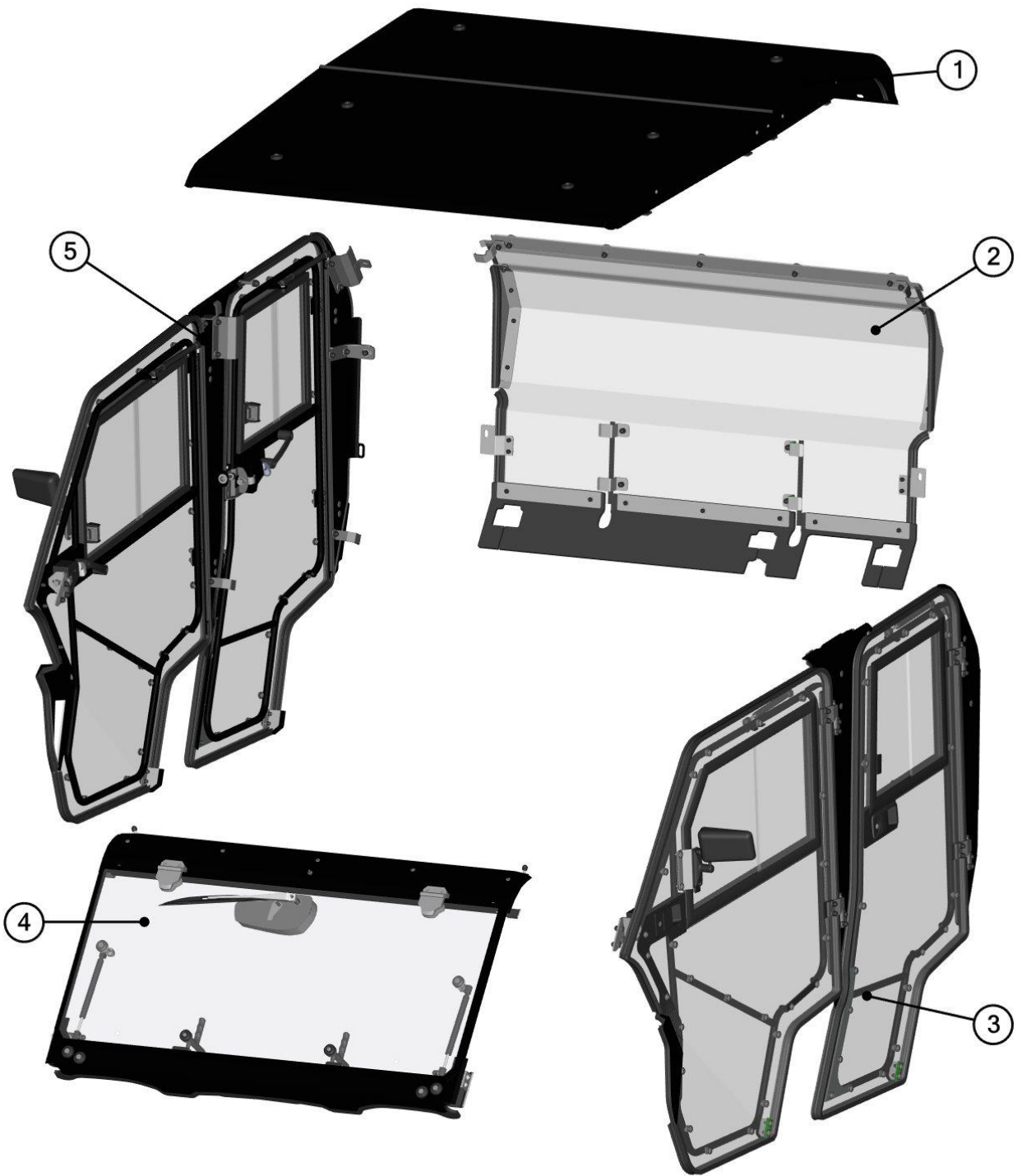
## YAMAHA VIKING CREW



CAB PREVIEW



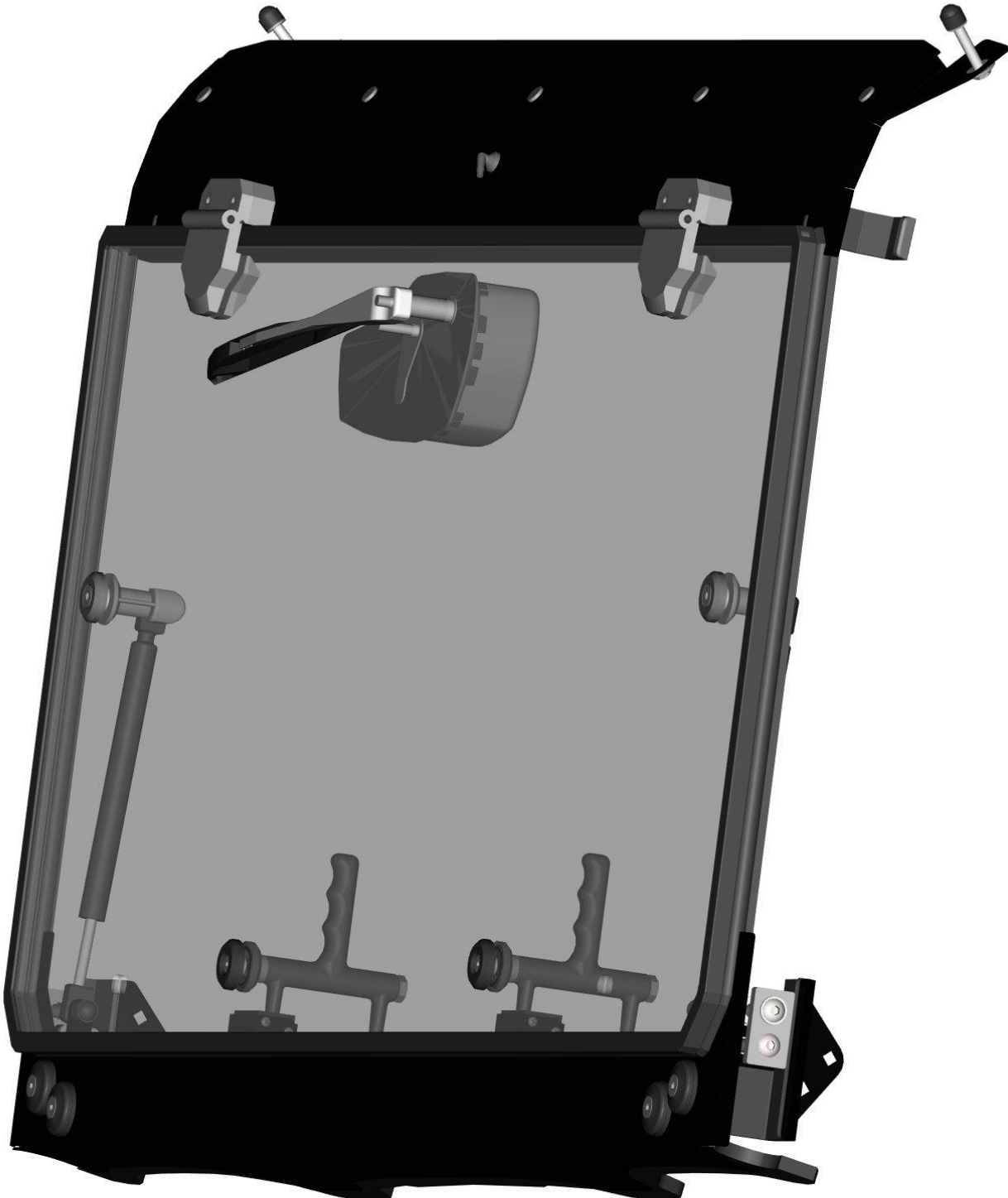
2

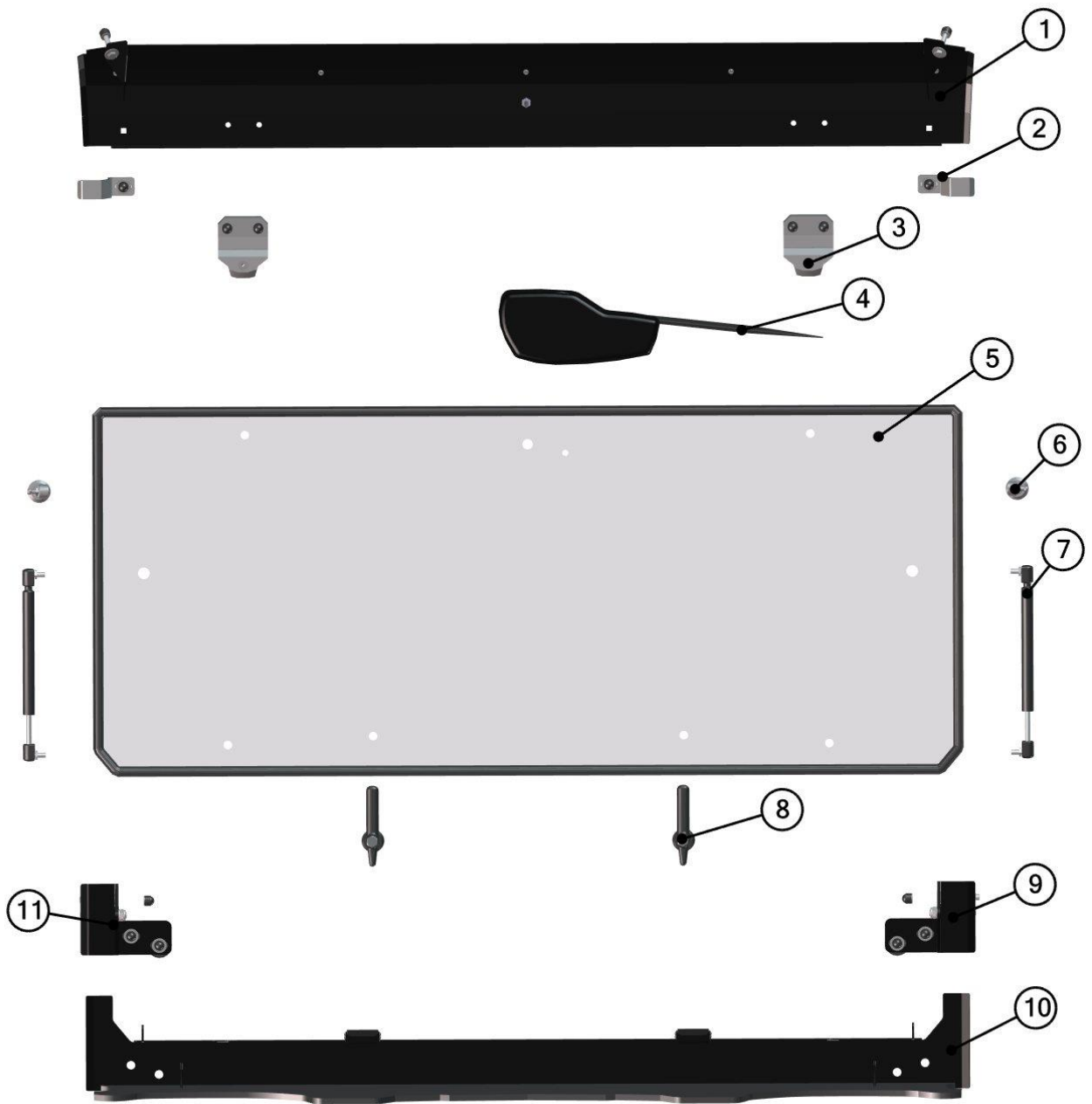


3

| ID | Catalogue no. | Description | Qty |
|----|---------------|-------------|-----|
| 1  | 41S05U01S30   | ROOF PANEL  | 1   |
| 2  | 41S05U01S20   | REAR PANEL  | 1   |
| 3  | 41S05U01S40   | LEFT DOORS  | 1   |
| 4  | 41S04U01S10   | FRONT PANEL | 1   |
| 5  | 41S05U01S50   | RIGHT DOORS | 1   |

FRONT PANEL

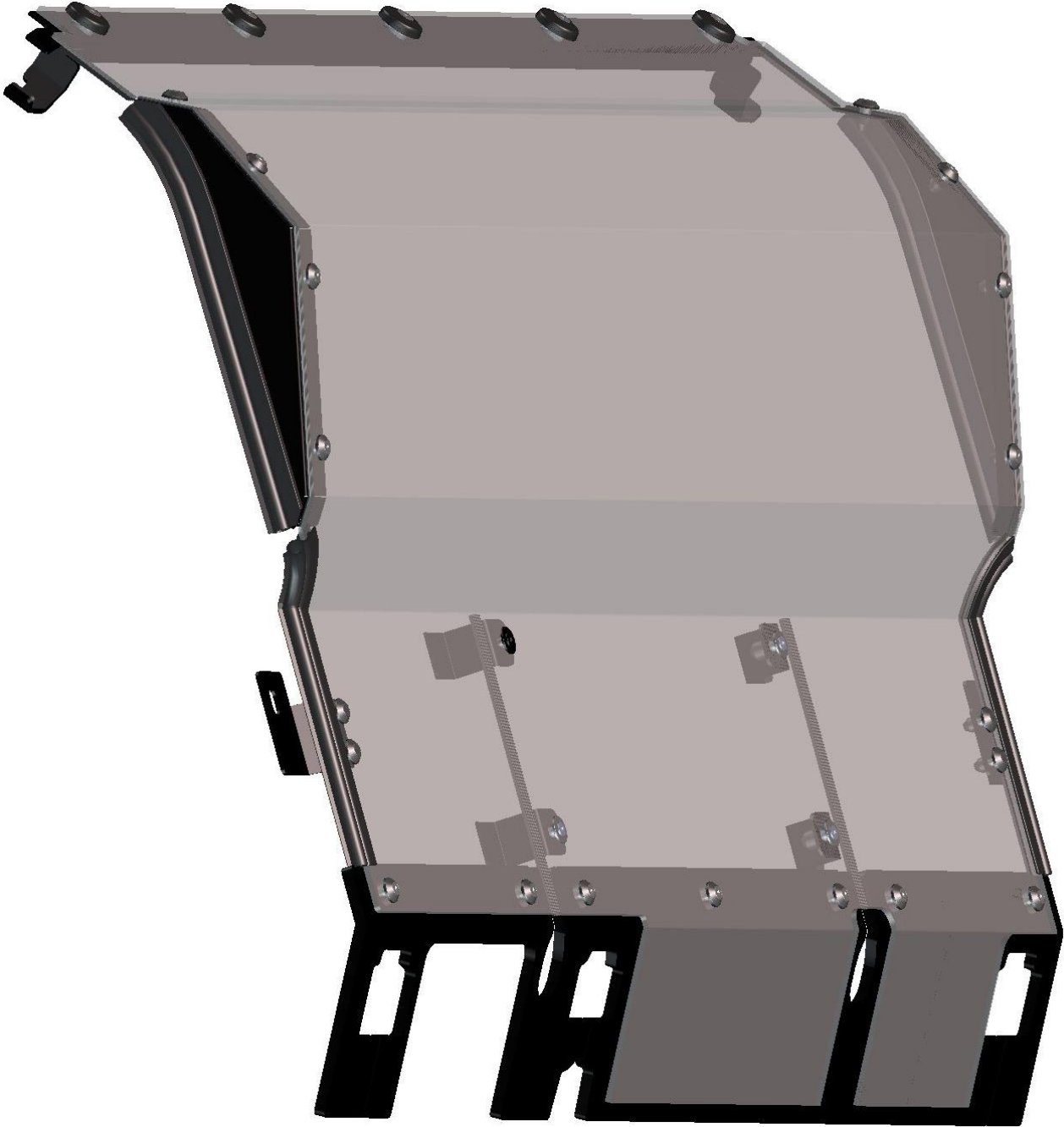




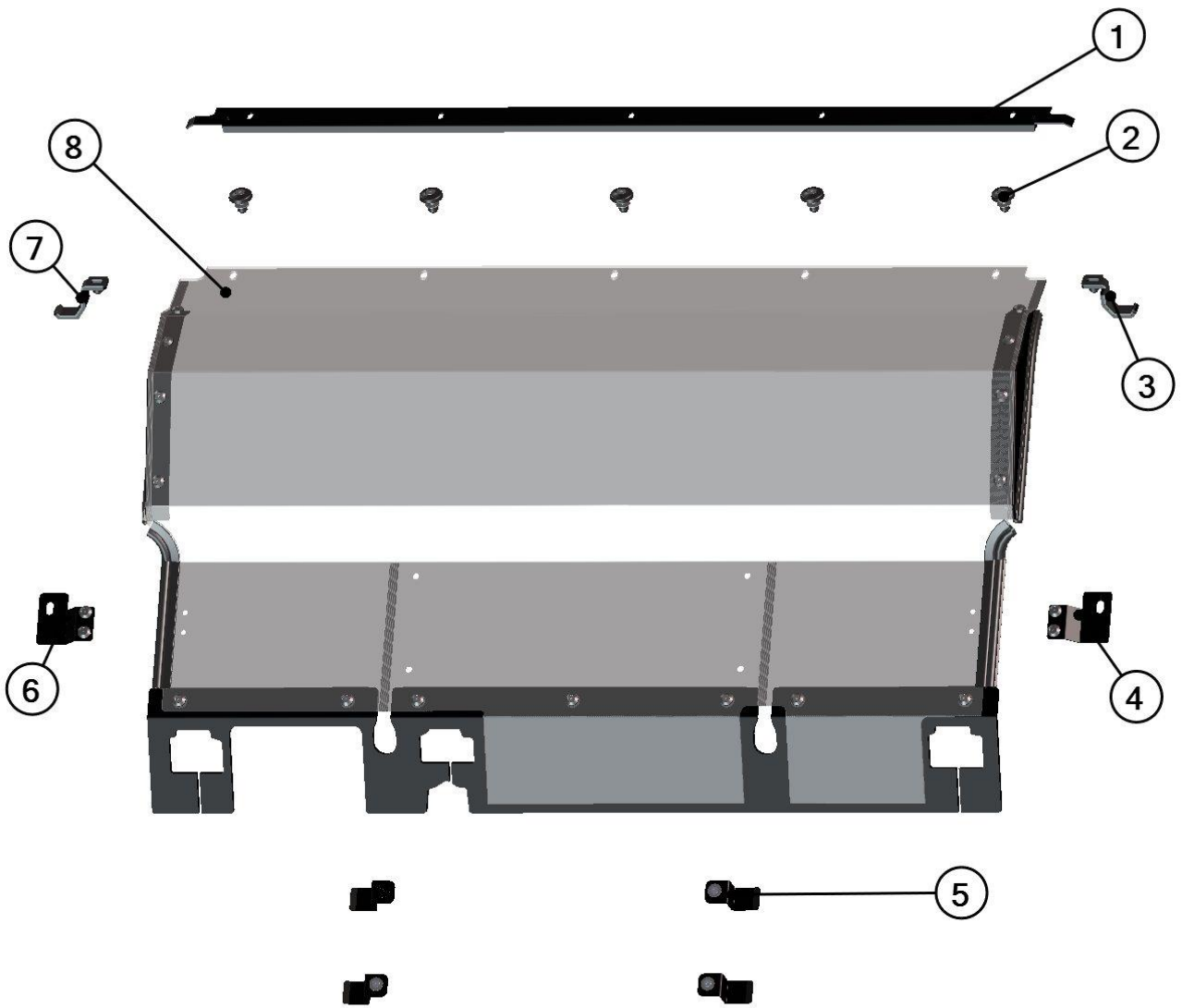
5

| ID | Catalogue no.   | Description                              | Qty |
|----|-----------------|--|-----|
| 1  | 41S04U01-10M007 | FRONT UPPER LEDGE ASSEMBLY               | 1   |
| 2  | 41S04U01-10M004 | FRONT UPPER LEDGE HOLDER ASSEMBLY        | 2   |
| 3  | 00-20M001       | FRONT HINGE                              | 2   |
| 4  | 41S04U01-01M002 | WIPER ASSEMBLY                           | 1   |
| 5  | 41S04U01-10M003 | FRONT GLASS WITH SEALING                 | 1   |
| 6  | 00-20M005       | GAS SPRING HOLDER                        | 2   |
| 7  | 000865          | GAS SPRING                               | 2   |
| 8  | 00-10M023       | FRONT GLASS LOCK                         | 2   |
| 9  | 41S04U01-10M006 | RIGHT FRONT BOTTOM LEDGE HOLDER ASSEMBLY | 1   |
| 10 | 41S04U01-10M001 | FRONT BOTTOM LEDGE                       | 1   |
| 11 | 41S04U01-10M005 | LEFT FRONT BOTTOM LEDGE HOLDER ASSEMBLY  | 1   |

REAR PANEL



6



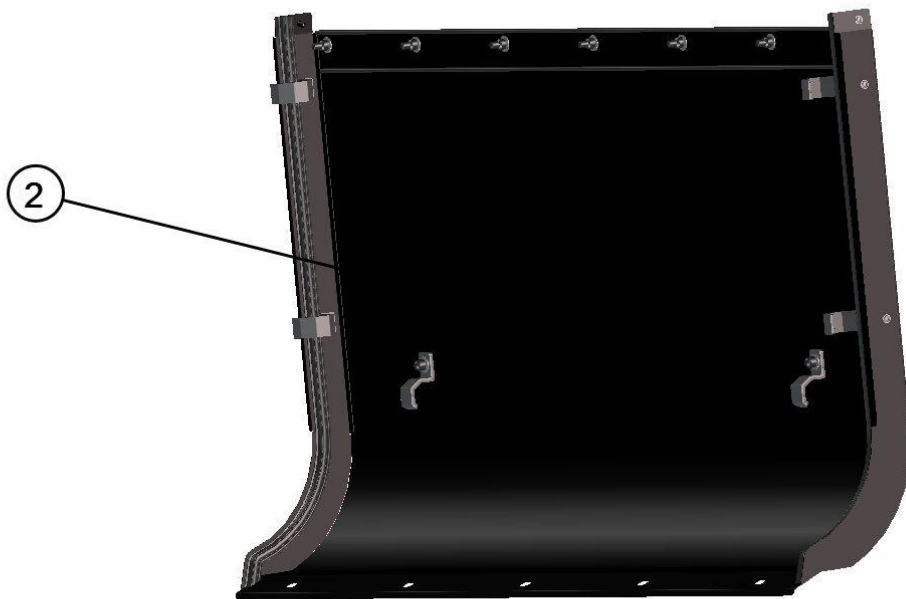
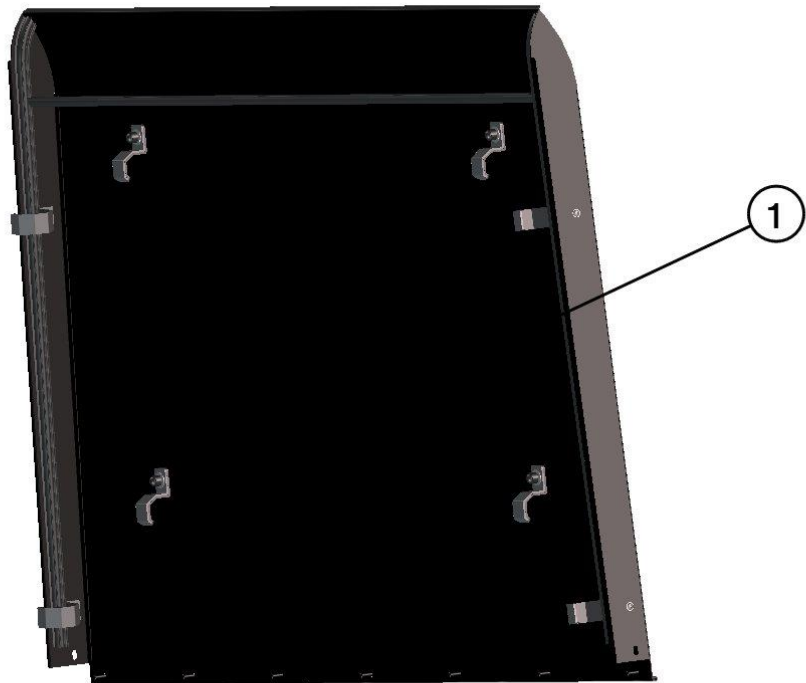
7

| Id | Catalogue no.   | Description                        | Qty |
|----|-----------------|------------------------------------|-----|
| 1  | 41S05U01-20W001 | REAR UPPER LEDGE                   | 1   |
| 2  | 41S05U01-20M008 | REAR POLYCARBONATE FIXING ASSEMBLY | 5   |
| 3  | 41S05U01-20M007 | LEFT REAR UPPER HOLDER ASSEMBLY    | 1   |
| 4  | 41S05U01-20M003 | LEFT REAR SIDE HOLDER ASSEMBLY     | 1   |
| 5  | 41S05U01-20M005 | REAR MIDDLE HOLDER ASSEMBLY        | 4   |
| 6  | 41S05U01-20M004 | RIGHT REAR SIDE HOLDER ASSEMBLY    | 1   |
| 7  | 41S05U01-20M006 | LEFT REAR UPPER HOLDER ASSEMBLY    | 1   |
| 8  | 41S05U01-20M002 | REAR POLY+SEALIGNS ASSEMBLY        | 1   |

ROOF

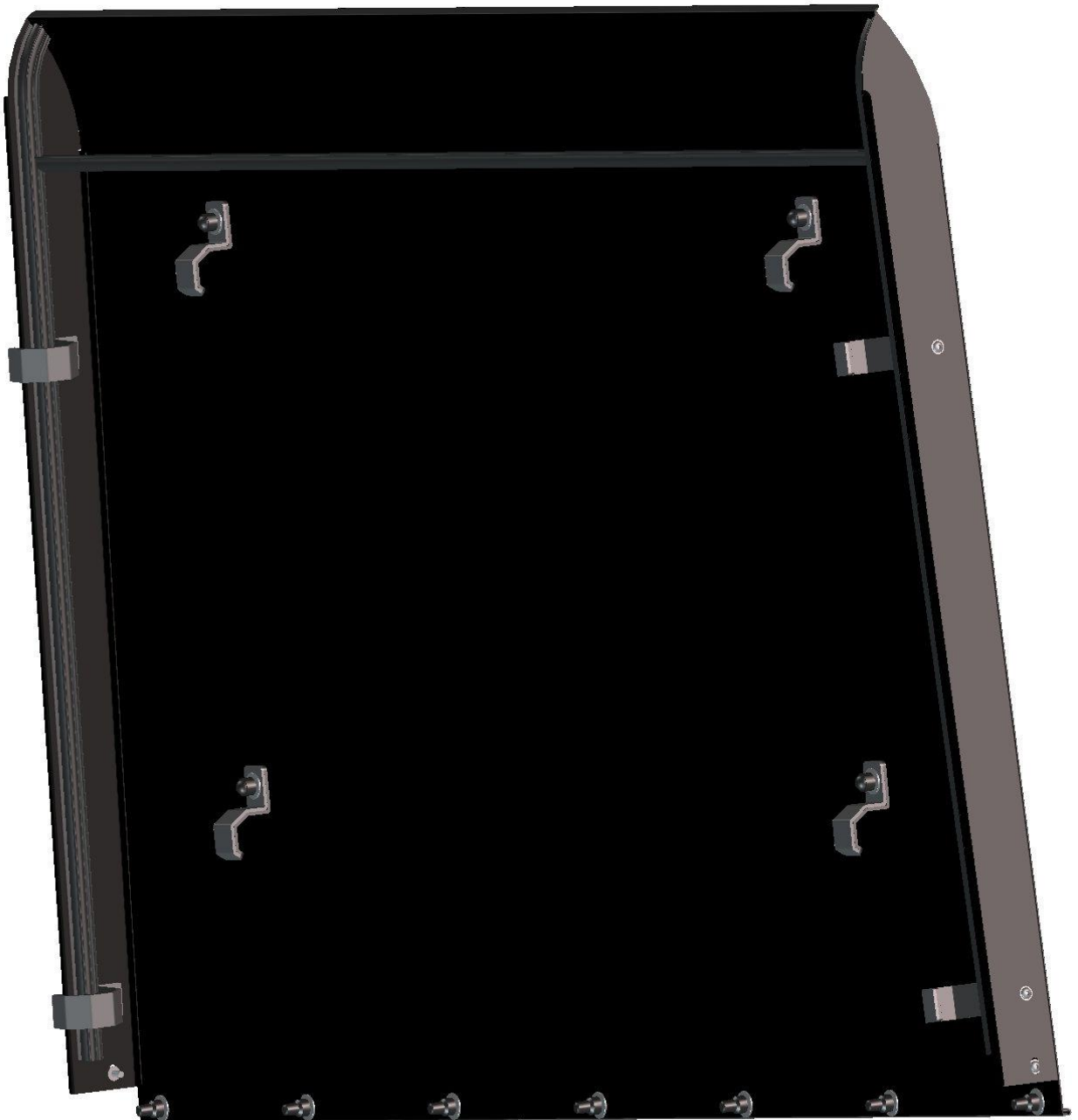




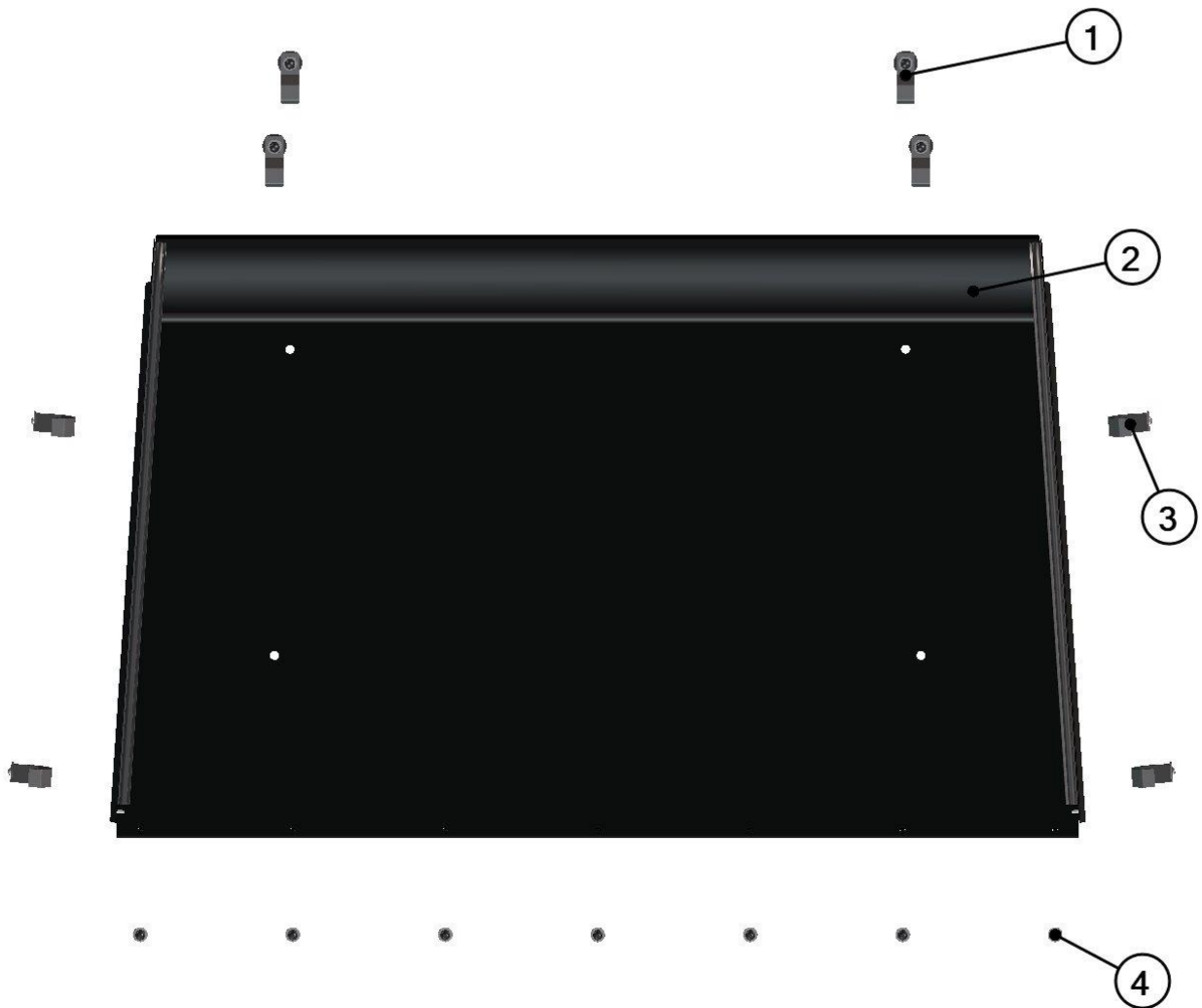


| Id | Catalogue no.   | Description         | Qty |
|----|-----------------|---------------------|-----|
| 1  | 41S05U01-30M001 | FRONT ROOF ASSEMBLY | 1   |
| 2  | 41S05U01-30M002 | REAR ROOF ASSEMBLY  | 1   |

FRONT ROOF ASSEMBLY



10



11

| Id | Catalogue no.   | Description               | Qty |
|----|-----------------|---------------------------|-----|
| 1  | 41S04U01-30M001 | ROOF HOLDER ASSEMBLY      | 4   |
| 2  | 41S05U01-30W001 | FRONT ROOF PANEL          | 1   |
| 3  | 41S05U01-30M004 | SIDE ROOF HOLDER ASSEMBLY | 4   |
| 4  | 41S05U01-30M003 | ROOF FIXING ASSEMBLY      | 7   |

REAR ROOF ASSEMBLY



12



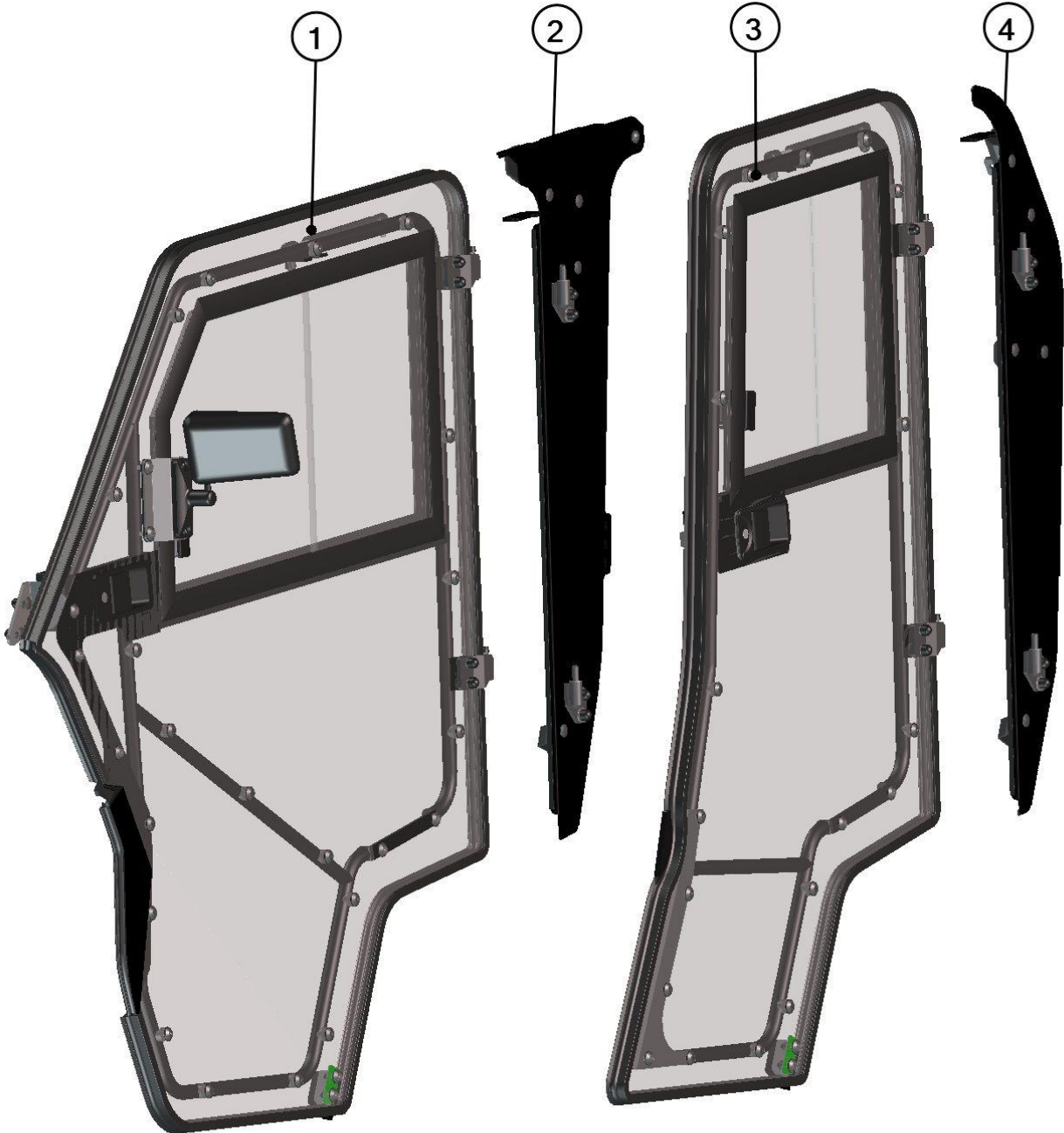
13

| Id | Catalogue no.   | Description               | Qty |
|----|-----------------|---------------------------|-----|
| 1  | 41S05U01-30W002 | REAR ROOF PANEL           | 1   |
| 2  | 41S05U01-30M004 | SIDE ROOF HOLDER ASSEMBLY | 4   |
| 3  | 41S04U01-30M001 | ROOF HOLDER ASSEMBLY      | 2   |

LEFT DOOR + RIGHT DOOR



14



## LEFT TABLE

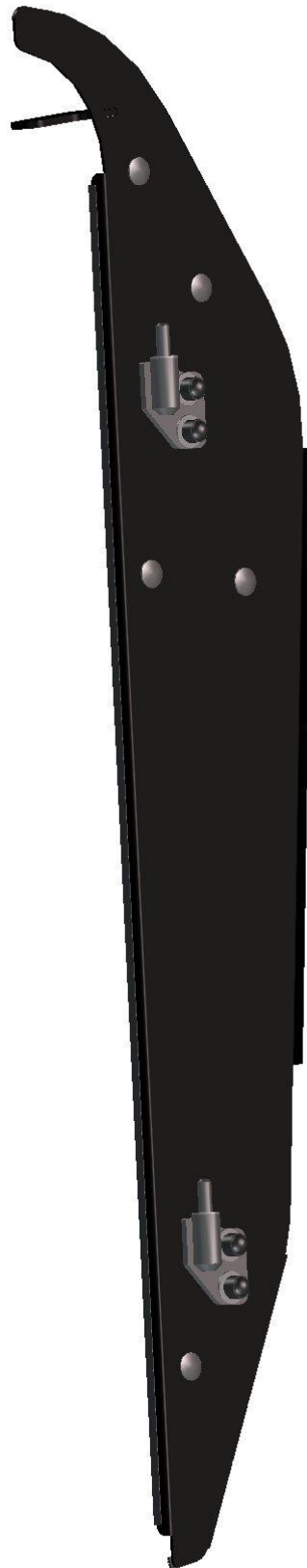
| Id | Catalogue no.   | Description          | Qty |
|----|-----------------|----------------------|-----|
| 1  | 41S04U01-40M003 | LEFT FRONT DOOR      | 1   |
| 2  | 41S05U01-40M014 | LEFT FRONT DOOR BASE | 1   |
| 3  | 41S05U01-40M009 | LEFT REAR DOOR       | 1   |
| 4  | 41S05U01-40M002 | LEFT REAR DOOR BASE  | 1   |

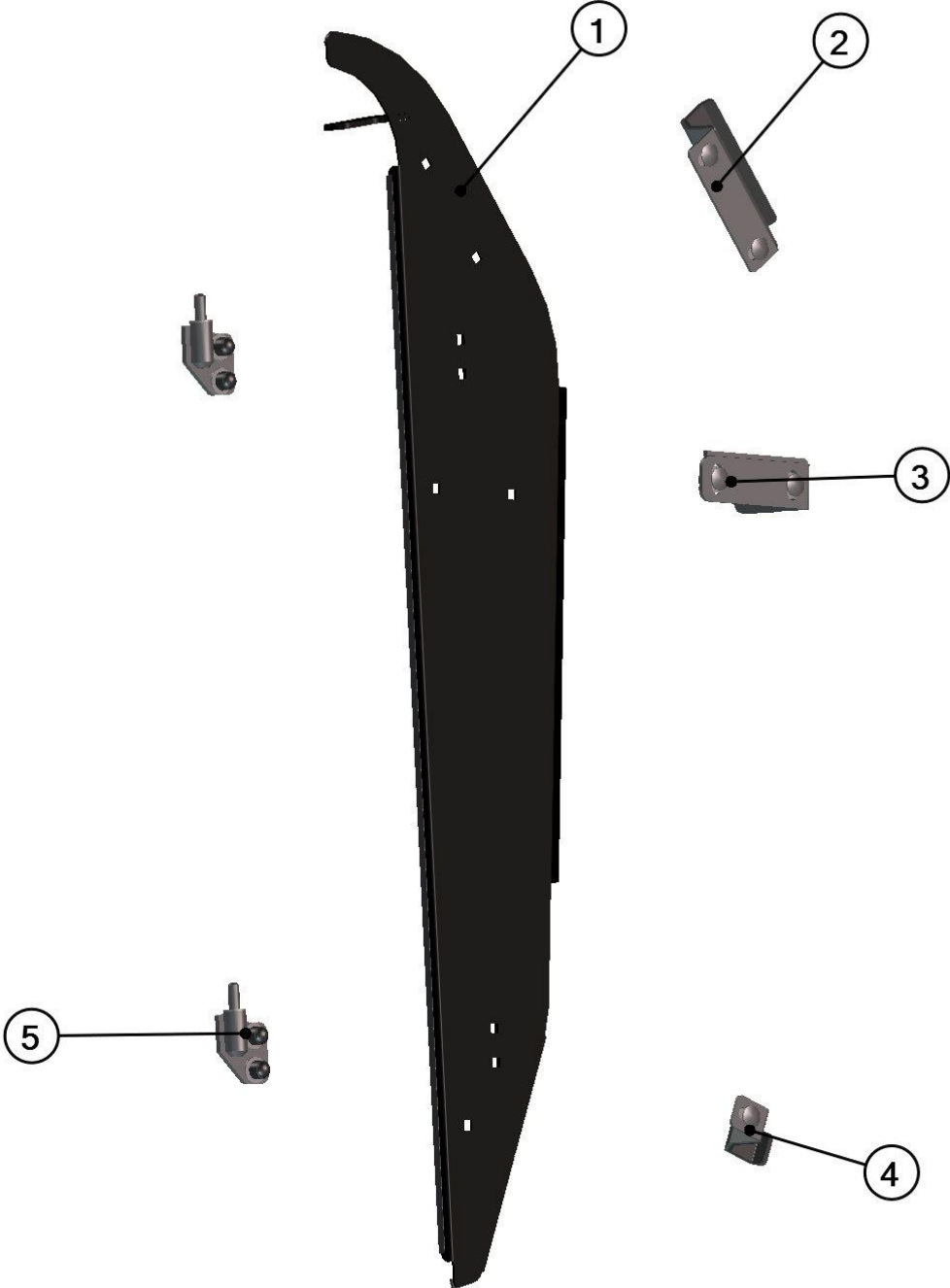
## RIGHT TABLE

| Id | Catalogue no.   | Description           | Qty |
|----|-----------------|-----------------------|-----|
| 1  | 41S04U01-50M003 | RIGHT FRONT DOOR      | 1   |
| 2  | 41S05U01-50M014 | RIGHT FRONT DOOR BASE | 1   |
| 3  | 41S05U01-50M009 | RIGHT REAR DOOR       | 1   |
| 4  | 41S05U01-50M002 | RIGHT REAR DOOR BASE  | 1   |



REAR DOOR BASE ASSEMBLY





## LEFT TABLE

| Id | Catalogue no.   | Description                  | Qty |
|----|-----------------|------------------------------|-----|
| 1  | 41S05U01-40W003 | LEFT REAR DOOR BASE          | 1   |
| 2  | 41S05U01-40M018 | LEFT REAR BASE UPPER HOLDER  | 1   |
| 3  | 41S05U01-40M005 | LEFT REAR BASE MIDDLE HOLDER | 1   |
| 4  | 41S05U01-40M016 | REAR BASE BOTTOM HOLDER      | 1   |
| 5  | 41S04U01-40M004 | LEFT FRAME HINGE             | 2   |

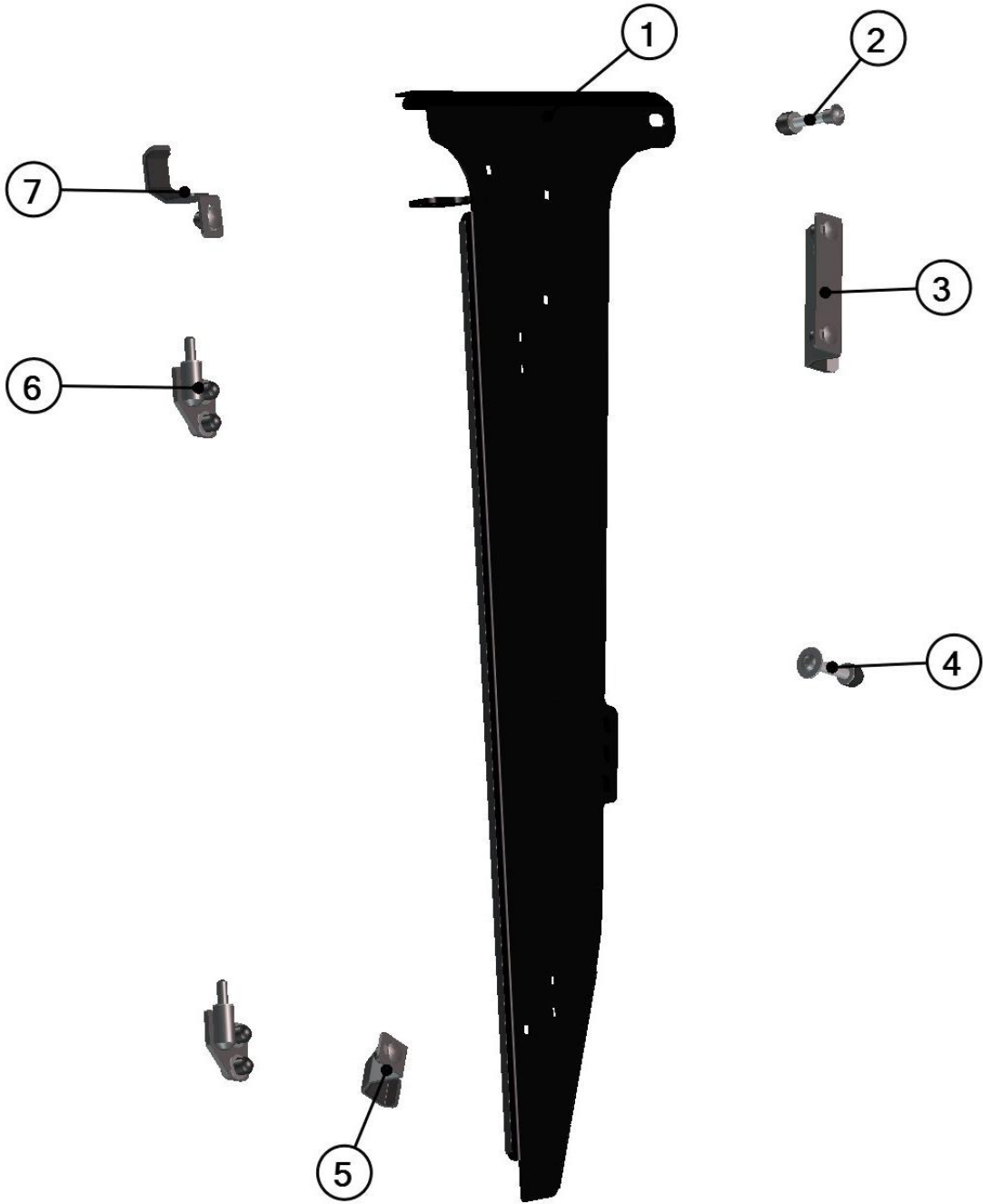
## RIGHT TABLE

| Id | Catalogue no.   | Description                   | Qty |
|----|-----------------|-------------------------------|-----|
| 1  | 41S05U01-50W003 | RIGHT REAR DOOR BASE          | 1   |
| 2  | 41S05U01-50M018 | RIGHT REAR BASE UPPER HOLDER  | 1   |
| 3  | 41S05U01-50M005 | RIGHT REAR BASE MIDDLE HOLDER | 1   |
| 4  | 41S05U01-40M016 | REAR BASE BOTTOM HOLDER       | 1   |
| 5  | 41S04U01-50M004 | RIGHT FRAME HINGE             | 2   |

FRONT DOOR BASE ASSEMBLY



20



## LEFT TABLE

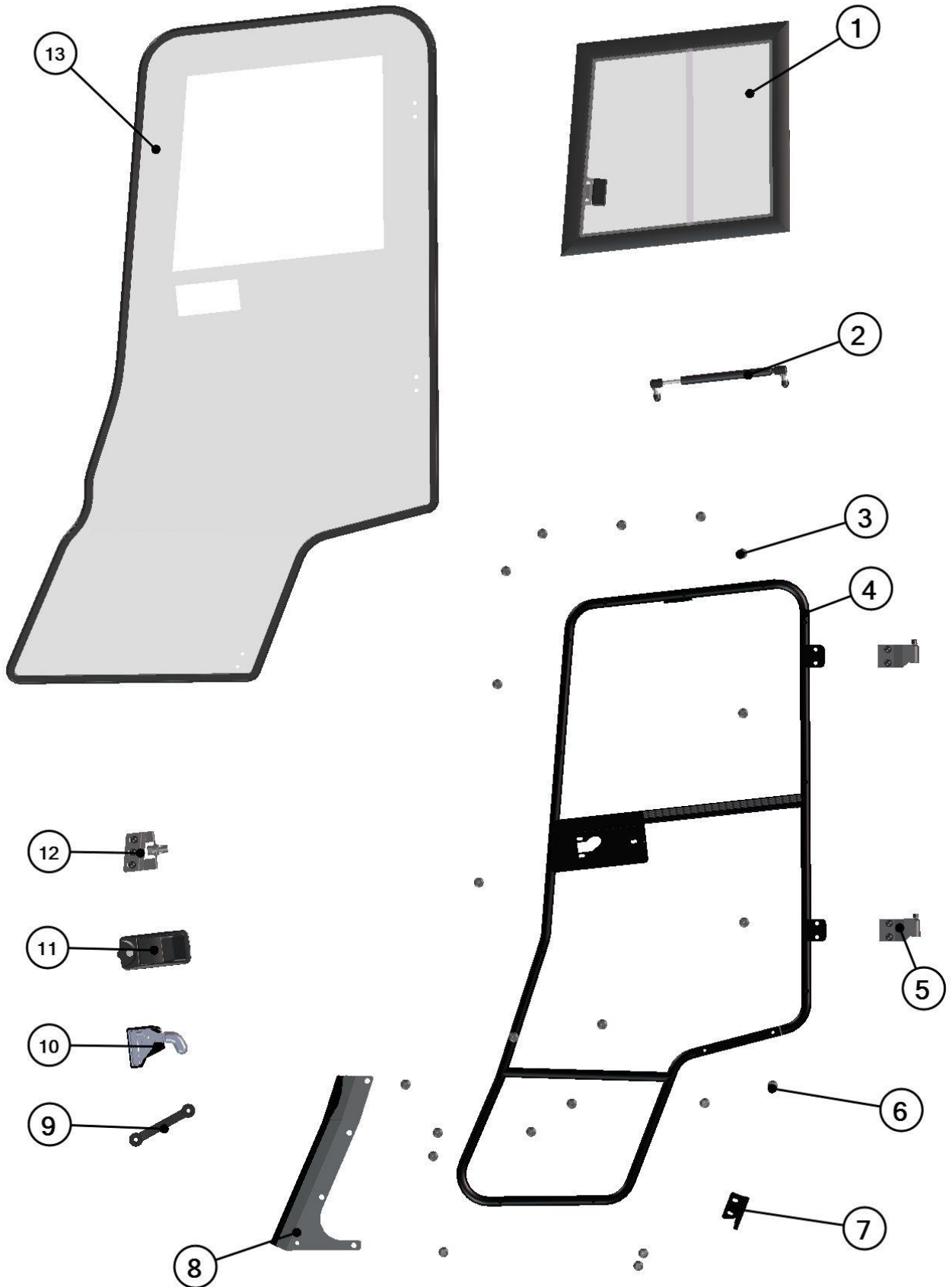
| Id | Catalogue no.   | Description                  | Qty |
|----|-----------------|------------------------------|-----|
| 1  | 41S05U01-40W001 | LEFT FRONT DOOR BASE         | 1   |
| 2  | 41S05U01-40M006 | FRONT BASE FIXING ASSEMBLY 1 | 1   |
| 3  | 41S05U01-40M001 | FRONT BASE MIDDLE HOLDER     | 1   |
| 4  | 41S05U01-40M007 | FRONT BASE FIXING ASSEMBLY 2 | 1   |
| 5  | 41S05U01-40M016 | FRONT BASE BOTTOM HOLDER     | 1   |
| 6  | 41S04U01-40M004 | LEFT FRAME HINGE             | 2   |
| 7  | 41S05U01-40M016 | FRONT BASE UPPER HOLDER      | 1   |

## RIGHT TABLE

| Id | Catalogue no.   | Description                  | Qty |
|----|-----------------|------------------------------|-----|
| 1  | 41S05U01-50W001 | RIGHT FRONT DOOR BASE        | 1   |
| 2  | 41S05U01-40M006 | FRONT BASE FIXING ASSEMBLY 1 | 1   |
| 3  | 41S05U01-40M001 | FRONT BASE MIDDLE HOLDER     | 1   |
| 4  | 41S05U01-40M007 | FRONT BASE FIXING ASSEMBLY 2 | 1   |
| 5  | 41S05U01-40M016 | FRONT BASE BOTTOM HOLDER     | 1   |
| 6  | 41S04U01-50M004 | RIGHT FRAME HINGE            | 2   |
| 7  | 41S05U01-40M016 | FRONT BASE UPPER HOLDER      | 1   |

REAR DOOR ASSEMBLY







LEFT TABLE

| Id | Catalogue no.   | Description                     | Qty |
|----|-----------------|---------------------------------|-----|
| 1  | 41S05U01-40M010 | LEFT REAR WINDOW ASSEMBLY       | 1   |
| 2  | 41S05U01-40M019 | GAS SPRING                      | 1   |
| 3  | 00-00M003       | POLYCARBONATE FIXING ASSEMBLY 1 | 15  |
| 4  | 41S05U01-40W005 | LEFT REAR DOOR FRAME            | 1   |
| 5  | 00-105U-M004    | LEFT DOOR FRAME                 | 2   |
| 6  | 41S05U01-40M011 | POLYCARBONATE FIXING ASSEMBLY 2 | 5   |
| 7  | 41S04U01-40M009 | LEFT REAR DOOR SEALING          | 1   |
| 8  | 41S05U01-40M012 | LEFT REAR DOOR SEALING LEDGE    | 1   |
| 9  | 00-40M018       | DOOR HANDLE                     | 1   |
| 10 | 00-40M019       | LEFT INNER DOOR LOCK            | 1   |
| 11 | 000841          | OUTER DOOR LOCK                 | 1   |
| 12 | 41S05U01-40M017 | LEFT REAR DOOR STOP ASSEMBLY    | 1   |
| 13 | 41S05U01-40M008 | LEFT POLYCARBONATE WITH SEALING | 1   |

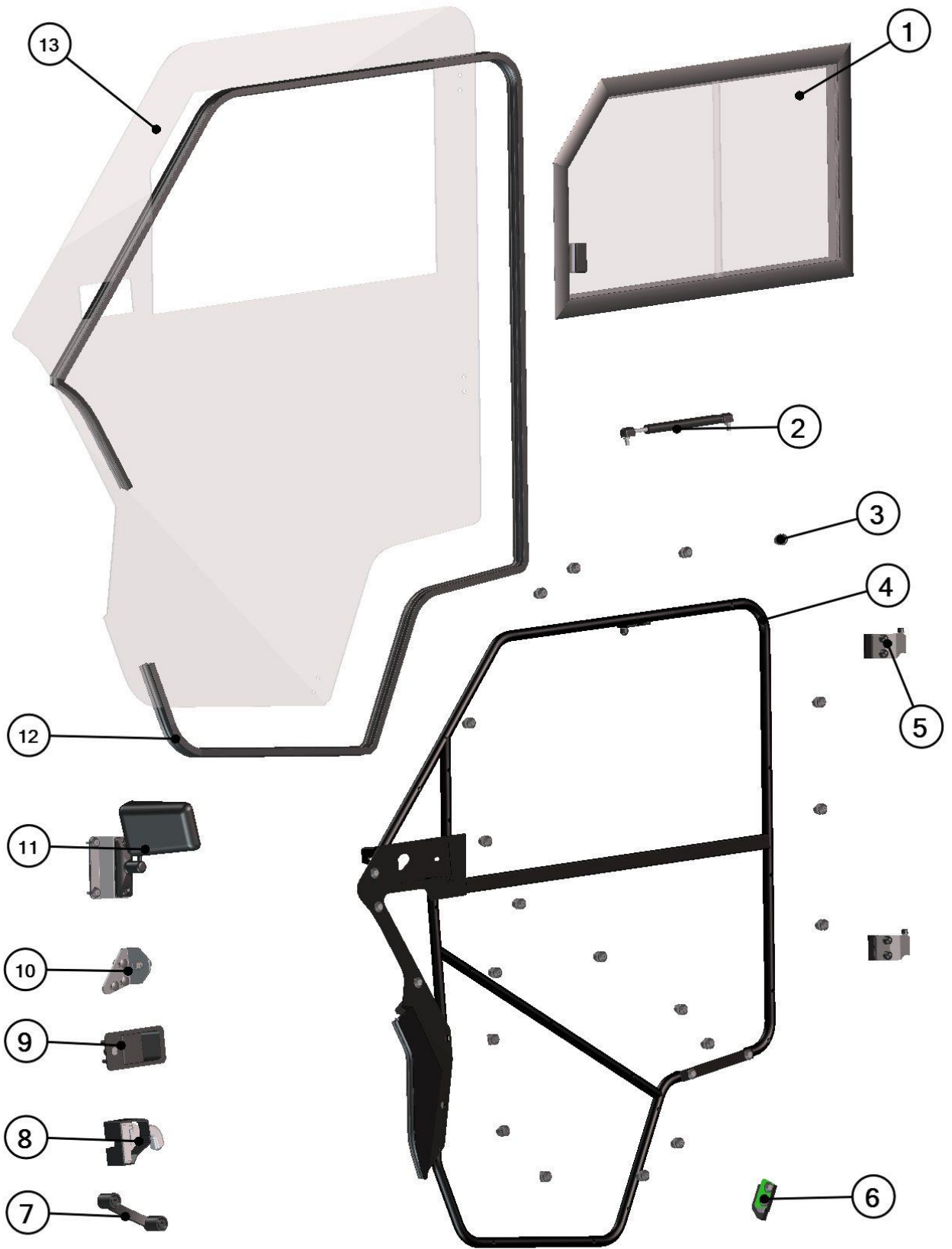
RIGHT TABLE

| Id | Catalogue no.   | Description                      | Qty |
|----|-----------------|----------------------------------|-----|
| 1  | 41S05U01-50M010 | RIGHT REAR WINDOW ASSEMBLY       | 1   |
| 2  | 41S05U01-40M019 | GAS SPRING                       | 1   |
| 3  | 00-00M003       | POLYCARBONATE FIXING ASSEMBLY 1  | 15  |
| 4  | 41S05U01-50W005 | RIGHT REAR DOOR FRAME            | 1   |
| 5  | 00-105U-M003    | RIGHT DOOR FRAME                 | 2   |
| 6  | 41S05U01-40M011 | POLYCARBONATE FIXING ASSEMBLY 2  | 5   |
| 7  | 41S04U01-50M009 | RIGHT REAR DOOR SEALING          | 1   |
| 8  | 41S05U01-50M012 | RIGHT REAR DOOR SEALING LEDGE    | 1   |
| 9  | 00-40M018       | DOOR HANDLE                      | 1   |
| 10 | 00-50M019       | RIGHT INNER DOOR LOCK            | 1   |
| 11 | 000841          | OUTER DOOR LOCK                  | 1   |
| 12 | 41S05U01-50M017 | RIGHT REAR DOOR STOP ASSEMBLY    | 1   |
| 13 | 41S05U01-50M008 | RIGHT POLYCARBONATE WITH SEALING | 1   |

FRONT DOOR ASSEMBLY



26



LEFT TABLE

| Id | Catalogue no.          | Description                   | Qty |
|----|------------------------|-------------------------------|-----|
| 1  | 41S04U01-40M001        | LEFT FRONT WINDOW ASSEMBLY    | 1   |
| 2  | 41S05U01-40M019        | GAS SPRING                    | 1   |
| 3  | 00-00M003              | POLYCARBONATE FIXING ASSEMBLY | 19  |
| 4  | 41S04U01-40W001        | LEFT FRONT DOOR FRAME         | 1   |
| 5  | 00-105U-M004           | LEFT DOOR HINGE               | 2   |
| 6  | 41S04U01-40M009        | LEFT DOOR SEALING             | 1   |
| 7  | 00-40M018              | DOOR HANDLE                   | 1   |
| 8  | 00-40M019              | LEFT INNER DOOR LOCK          | 1   |
| 9  | 000841                 | OUTER DOOR LOCK               | 1   |
| 10 | 41S04U01-40M006        | LEFT FRONT DOOR STOP ASSEMBLY | 1   |
| 11 | 00-109U-M003           | LEFT DOOR MIRROR              | 1   |
| 12 | 002454^41S04U01-40M003 | RUBBER PROFILE "SARAZIN"      | 1   |
| 13 | 41S04U01-40-001        | FRONT DOOR POLYCARBONATE      | 1   |

RIGHT TABLE

| Id | Catalogue no.          | Description                    | Qty |
|----|------------------------|--------------------------------|-----|
| 1  | 41S04U01-50M001        | RIGHT FRONT WINDOW ASSEMBLY    | 1   |
| 2  | 41S05U01-40M019        | GAS SPRING                     | 1   |
| 3  | 00-00M003              | POLYCARBONATE FIXING ASSEMBLY  | 19  |
| 4  | 41S04U01-50W001        | RIGHT FRONT DOOR FRAME         | 1   |
| 5  | 00-105U-M003           | RIGHT DOOR HINGE               | 2   |
| 6  | 41S04U01-50M009        | RIGHT DOOR SEALING             | 1   |
| 7  | 00-40M018              | DOOR HANDLE                    | 1   |
| 8  | 00-50M019              | RIGHT INNER DOOR LOCK          | 1   |
| 9  | 000841                 | OUTER DOOR LOCK                | 1   |
| 10 | 41S04U01-50M006        | RIGHT FRONT DOOR STOP ASSEMBLY | 1   |
| 11 | 00-109U-M004           | LEFT DOOR MIRROR               | 1   |
| 12 | 002454^41S04U01-40M003 | RUBBER PROFILE "SARAZIN"       | 1   |
| 13 | 41S04U01-40-001        | FRONT DOOR POLYCARBONATE       | 1   |

ELECTROINSTALLATION

| Position | Catalogue no.     | Description                | Qty |
|----------|-------------------|----------------------------|-----|
| 1        | 002346            | HEATER 12V                 | 1   |
| 2        | 000968            | SWITCH – WIPER/ WASHER/OFF | 1   |
| 3        | 001576            | WASHER MOTOR               | 1   |
| 4        | 001652            | FUSE BOX 2x1               | 1   |
| 5        | 000885            | WASHER COMPLETE            | 1   |
| 6        | 002764            | WIPERMOTOR 12V             | 1   |
| 7        | 41S04U01-01M001   | CABLE HARNESS - WIPER      | 1   |
| 8        | 41S05U01-02M001   | CABLE HARNESS - HEATING    | 1   |
| 9        | 00-01-001         | WASHER COMPLET HOLDER      | 1   |
| 10       | 41S04U01-02-001   | HEATER HOLDER              | 1   |
| 11       | 001367            | TIGHTENING STRAP Ø12-22    | 8   |
| 12       | 002386            | ELECTRIC VALVE             | 1   |
| 13       | 002348            | SCREW RIVETS               | 5   |
| 14       | 002491            | AIR VENT VALVE             | 1   |
| 15       | 002521            | TUBE Ø18MM                 | 1   |
| 16       | 41S04U01-03M001   | CABLE HARNESS - WASHER     | 1   |
| 17       | 002503            | “Y” COUPLING               | 2   |
| 18       | 002643            | TIGHTENING STRAP Ø21-38    | 4   |
| 19       | 002471            | WATER PUMP 12V             | 1   |
| 20       | 41S04U01-02PKM002 | PUMP HARNESS               | 1   |

SEE NEXT PAGES



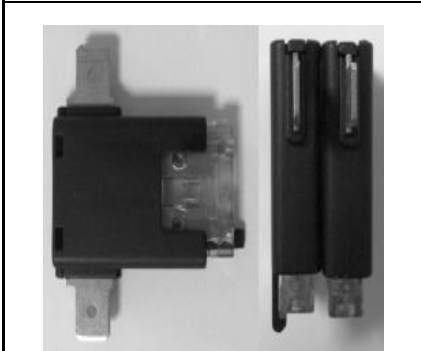
**Position : 1**  
**Catalogue no.: 002346**



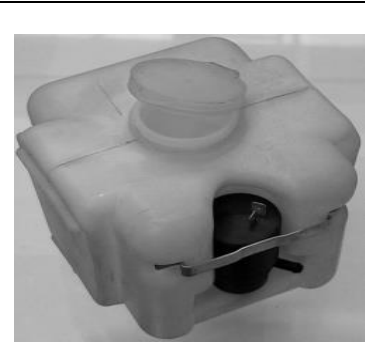
**Position : 2**  
**Catalogue no.: 000968**



**Position : 3**  
**Catalogue no.: 001576**



**Position : 4**  
**Catalogue no.: 001652**



**Position : 5**  
**Catalogue no.: 000885**



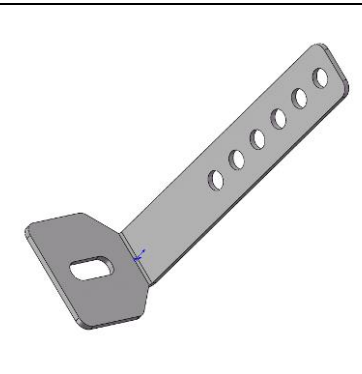
**Position : 6**  
**Catalogue no.: 002764**



**Position : 7**  
**Catalogue no.: 41S04U01-01M001**



**Position : 8**  
**Catalogue no.: 41S04U01-02M001**



**Position : 9**  
**Catalogue no.: 00-01-001**



**Position : 10**

**Catalogue no.: 41S04U01-02-001**



**Position : 11**

**Catalogue no.: 002642**



**Position : 12**

**Catalogue no.: 002386**



**Position : 13**

**Catalogue no.: 002348**



**Position : 14**

**Catalogue no.: 002491**



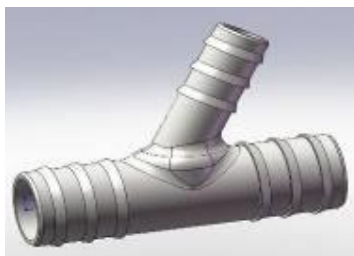
**Position : 15**

**Catalogue no.: 002521**



**Position : 16**

**Catalogue no.: 41S04U01-03M001**



**Position : 17**

**Catalogue no.: 002503**



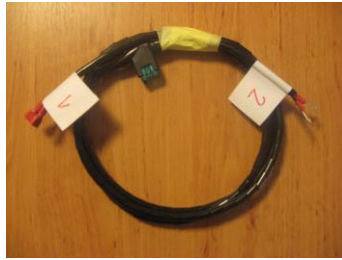
**Position : 18**

**Catalogue no.: 002643**



**Position : 19**

**Catalogue no.: 002471**



**Position : 20**

**Catalogue no.: 41S04U01-02PKM002**