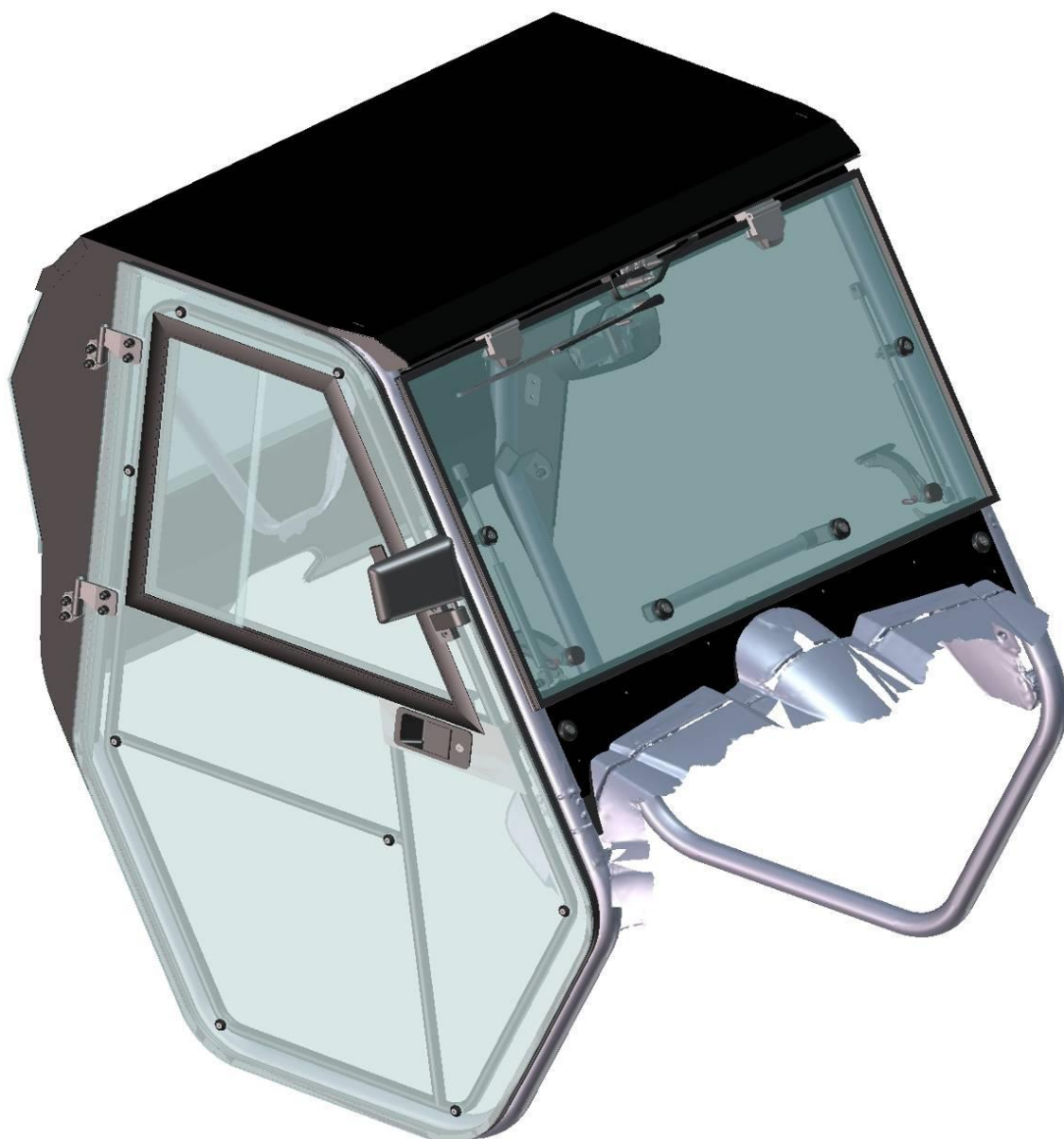


HardCabs

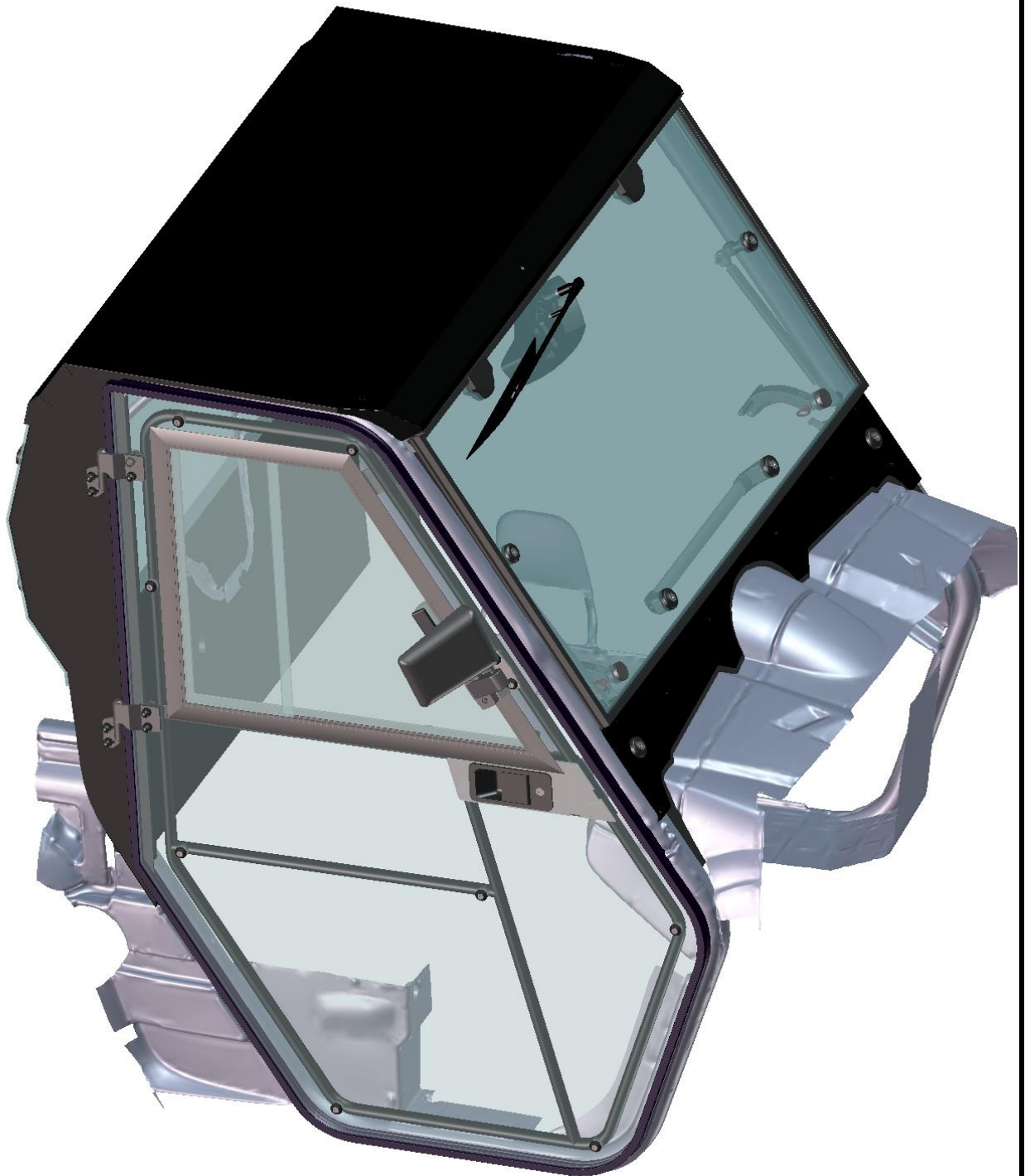
A DFK AMERICA COMPANY

SPARE - PARTS CATALOG

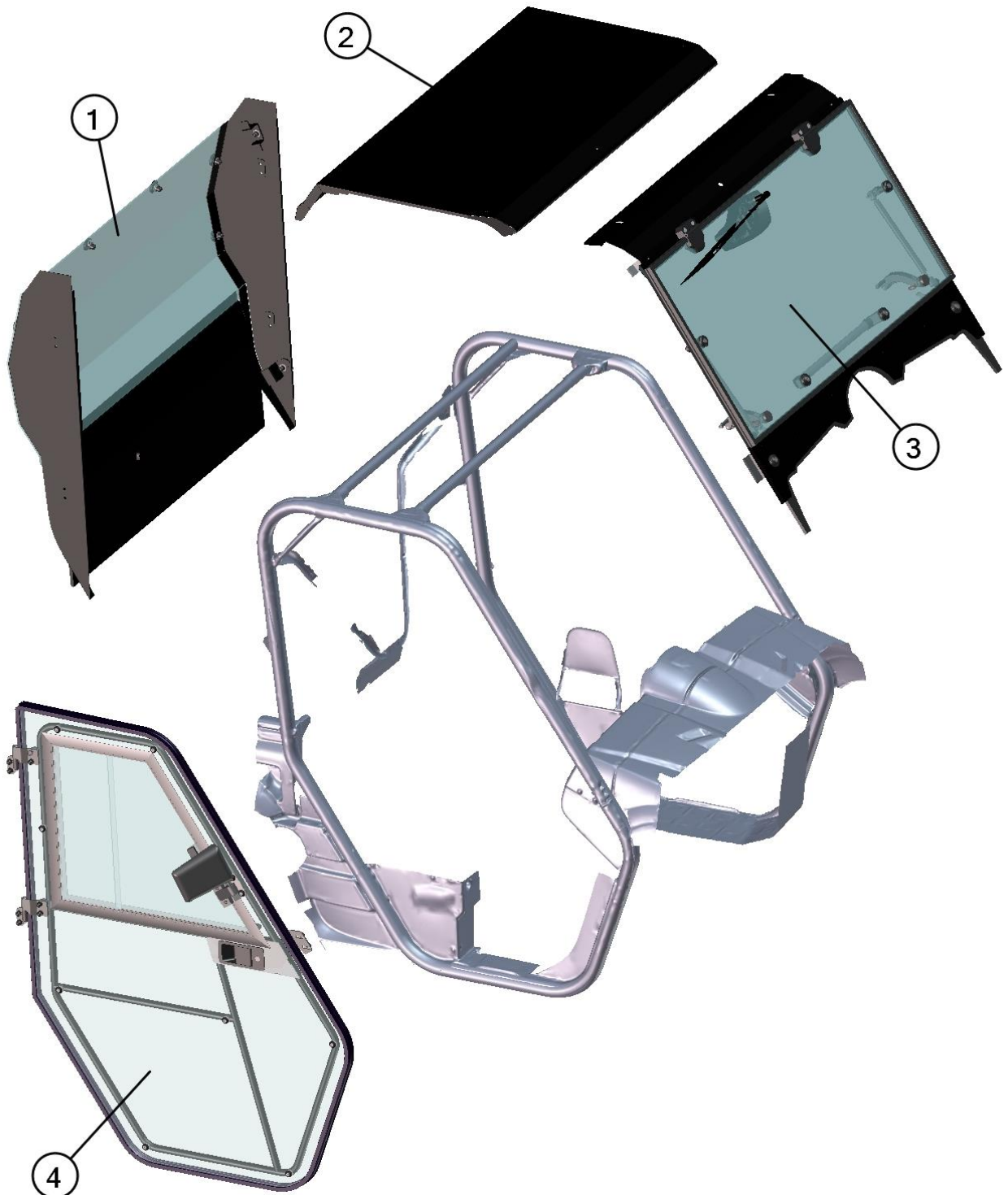
YAMAHA **RHINO 700 2012**



CAB PREVIEW



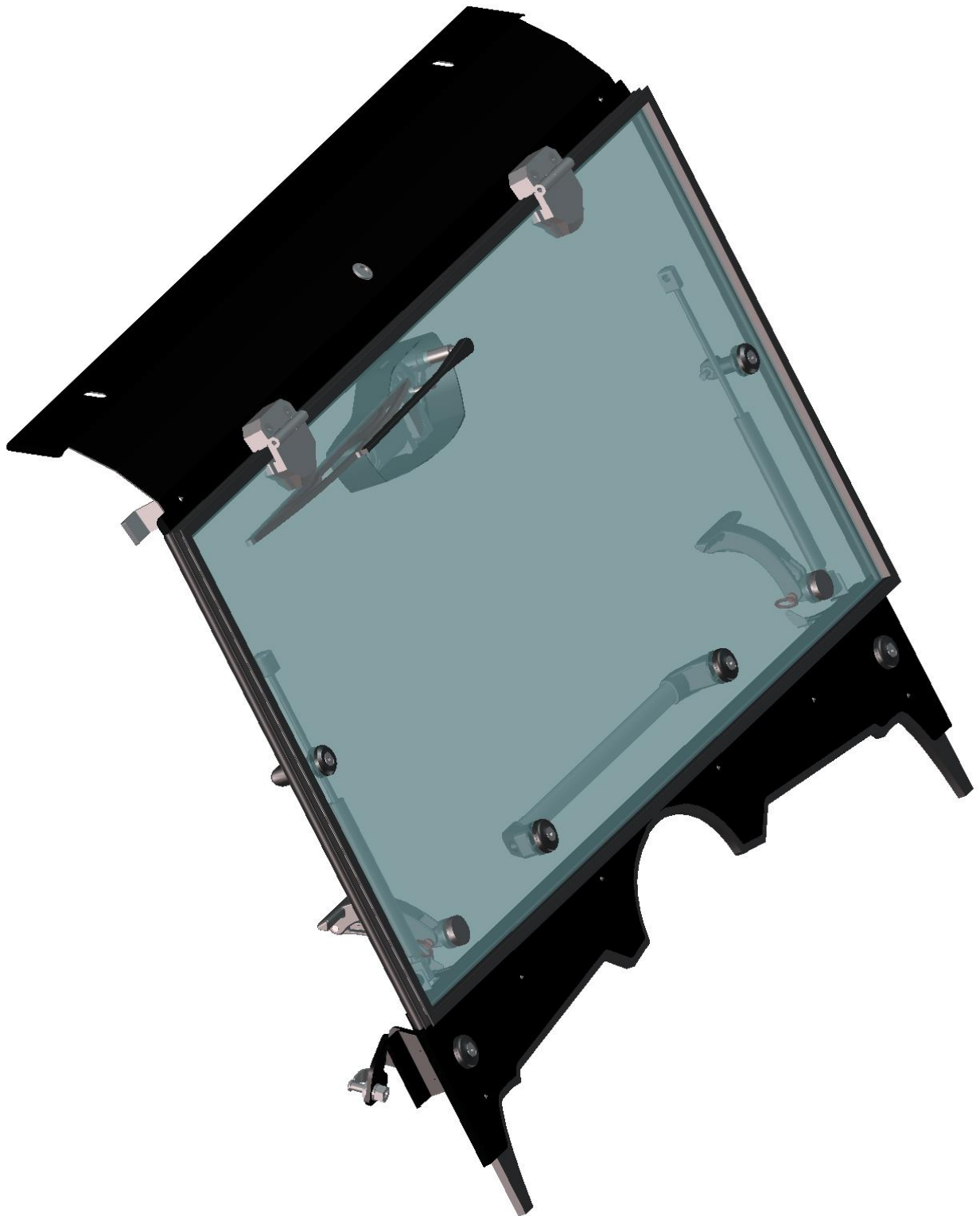
2

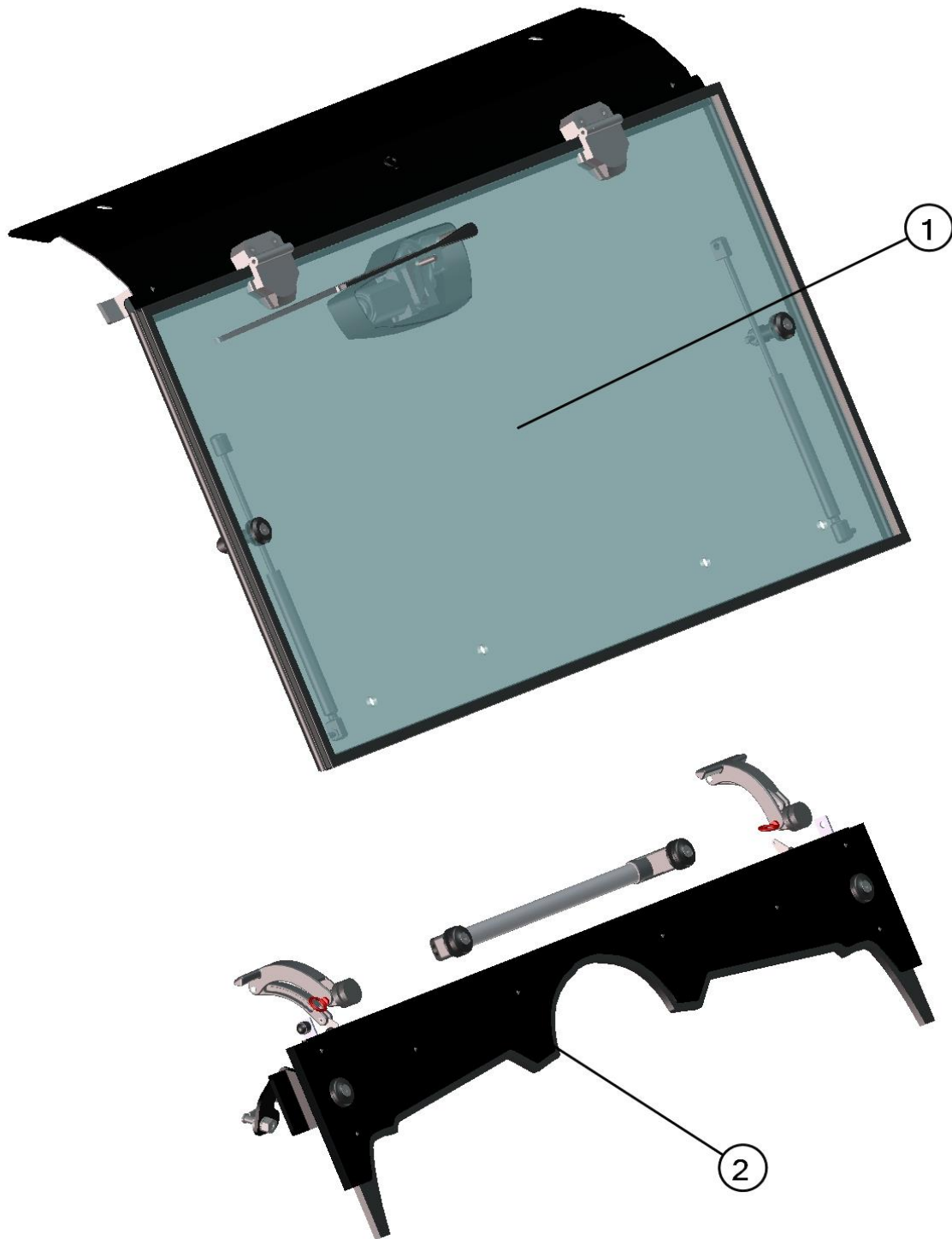


Position	Catalogue no.	Description	Qty
1	41S01U03S20	REAR PANEL	1
2	41S01U01S30	ROOF PANEL	1
3	41S01U02S10	FRONT PANEL MOVABLE	1
4	41S01U03S50	RIGHT DOOR	1

THE LEFT DOOR IS SIMILAR WITH THE RIGHT DOOR JUST USE CORRECT TABLE FOR DEMAND THE LEFT DOOR USE 40S01U03S40

FRONT PANEL

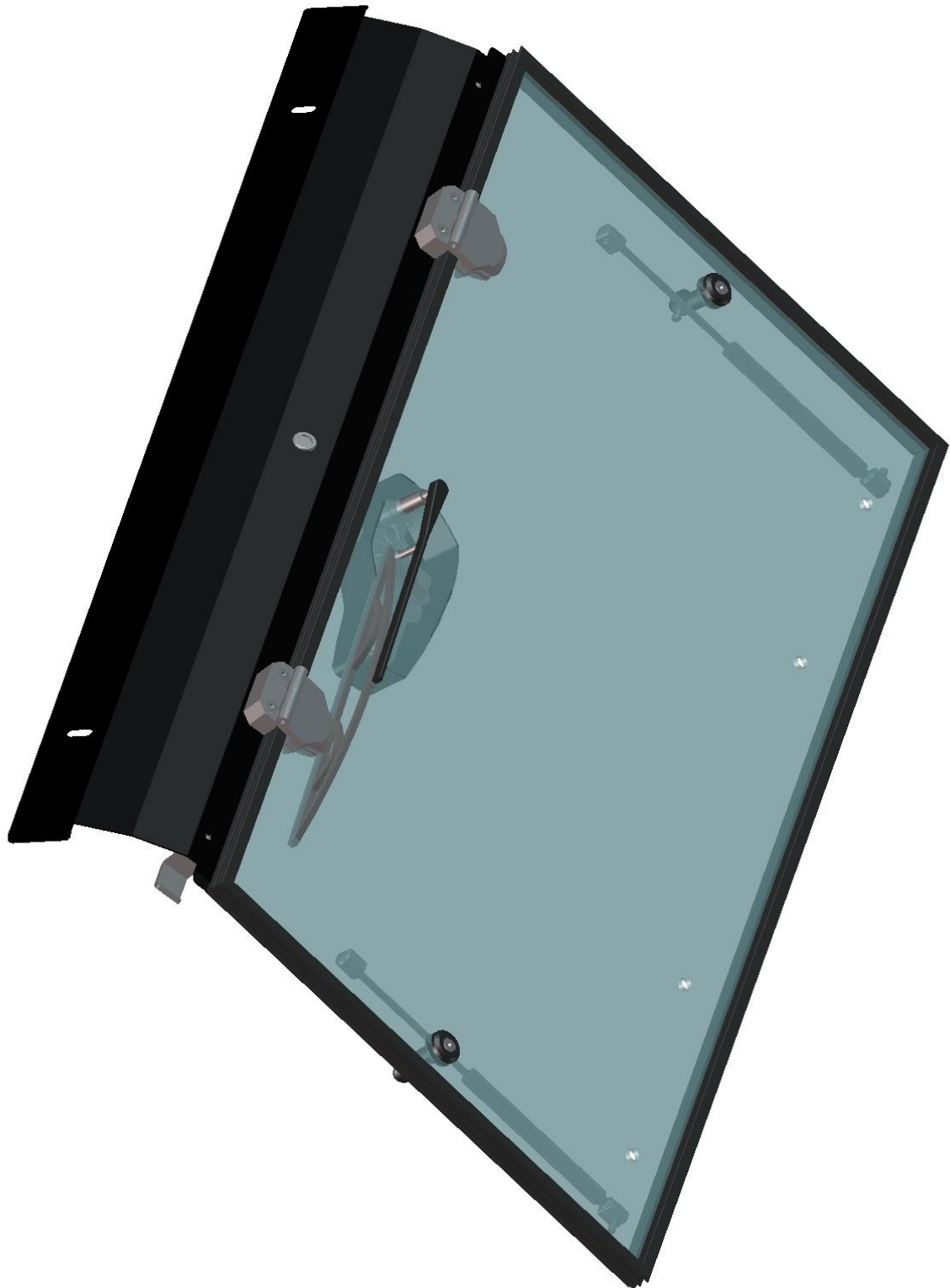


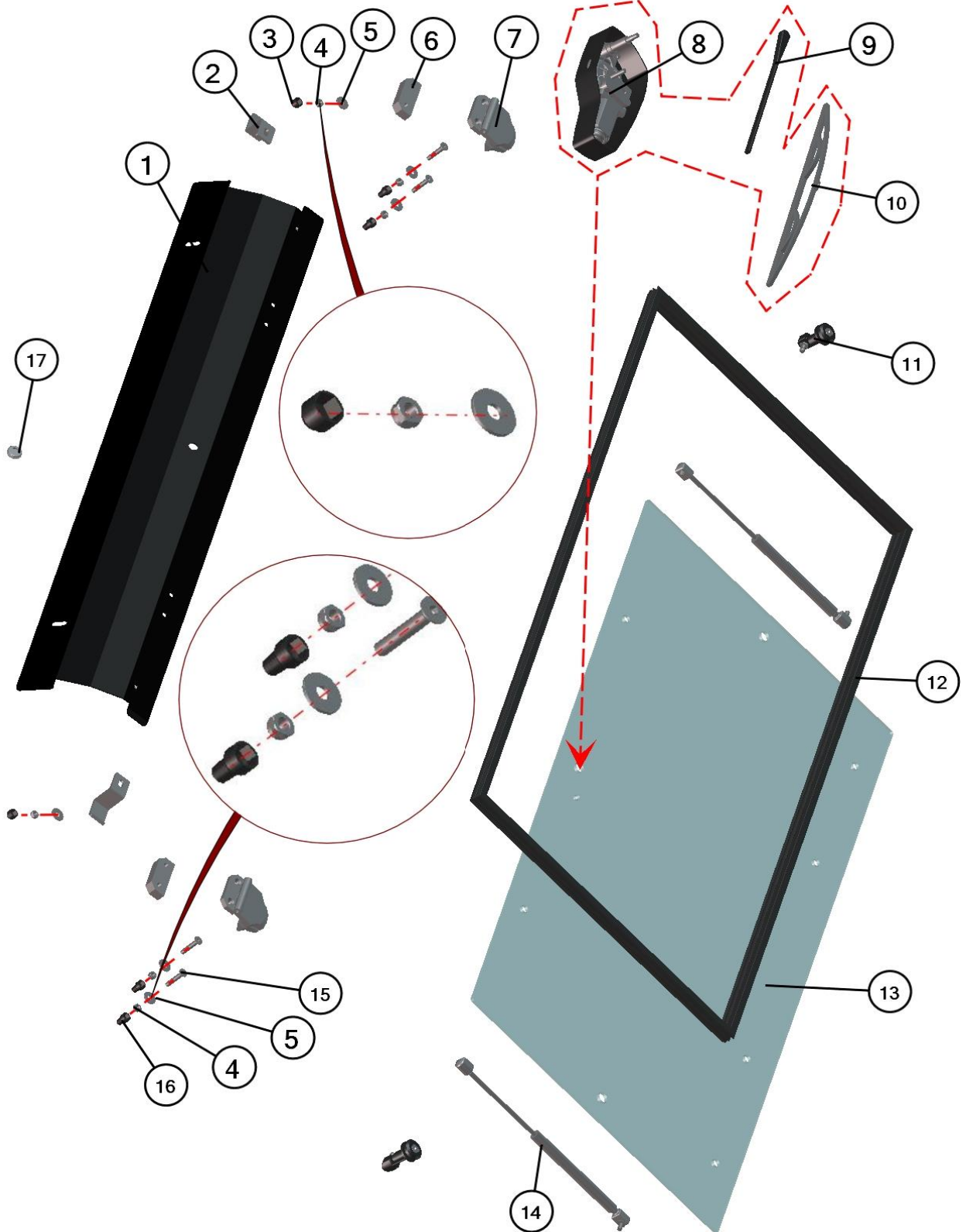


Position	Catalogue no.	Description	Qty
1	-----	FRONT UPPER ASSEMBLY	1
2	-----	FRONT BOTTOM ASSEMBLY	1

See details on next pages

FRONT UPPER ASSEMBLY



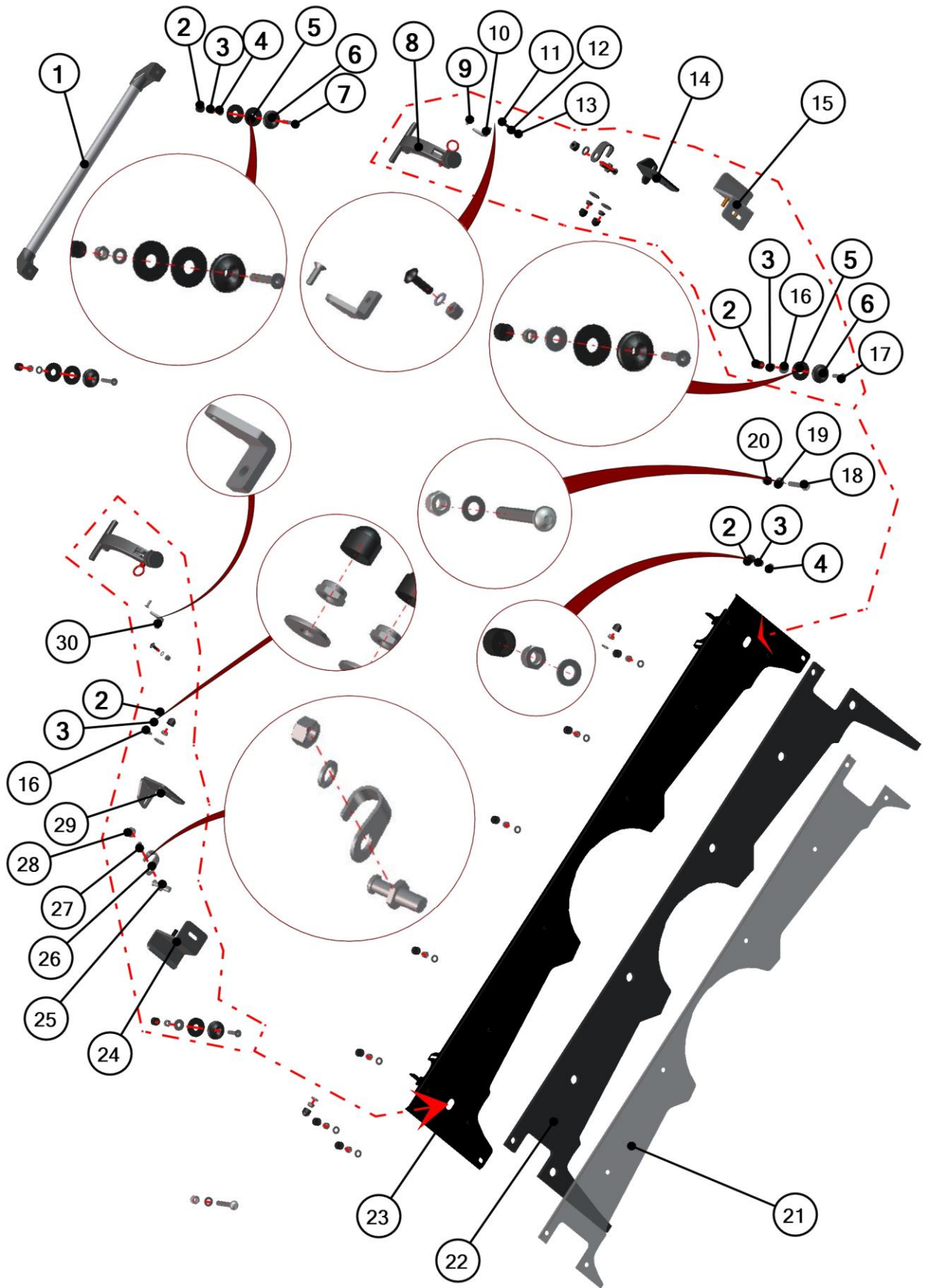


7

Position	Catalogue no.	Description	Qty
1	41S01U02-10W002	FRONT UPPER LEDGE	1
2	41S01U02-10-004	UPPER LEDGE HOLDER	2
3	001309	PLASTIC NUT COVER OK 13	2
4	001388	SELF-LOCKING NUT M8	6
5	001407	WASHER 8 LARGE	6
6	000863	HINGE WASHER	2
7	000862	PLASTIC HINGE	2
8	002764	WIPER MOTOR	1
9	002535	WIPER ARM	1
10	002554	WIPER LATCH	1
11	001693	GAS SPRING HOLDER	2
12	001012^41S01U02-10M002	RUBBER PROFILE "PIRELA GLASS"	1
13	41S01U02-10-001	FRONT GLASS	1
14	002494	GAS SPRING	2
15	001386	SCREW M8x45	4
16	001308	PLASTIC NUT COVER OK 13 LONG	4
17	002013	BUSHING	1

FRONT BOTTOM ASSEMBLY

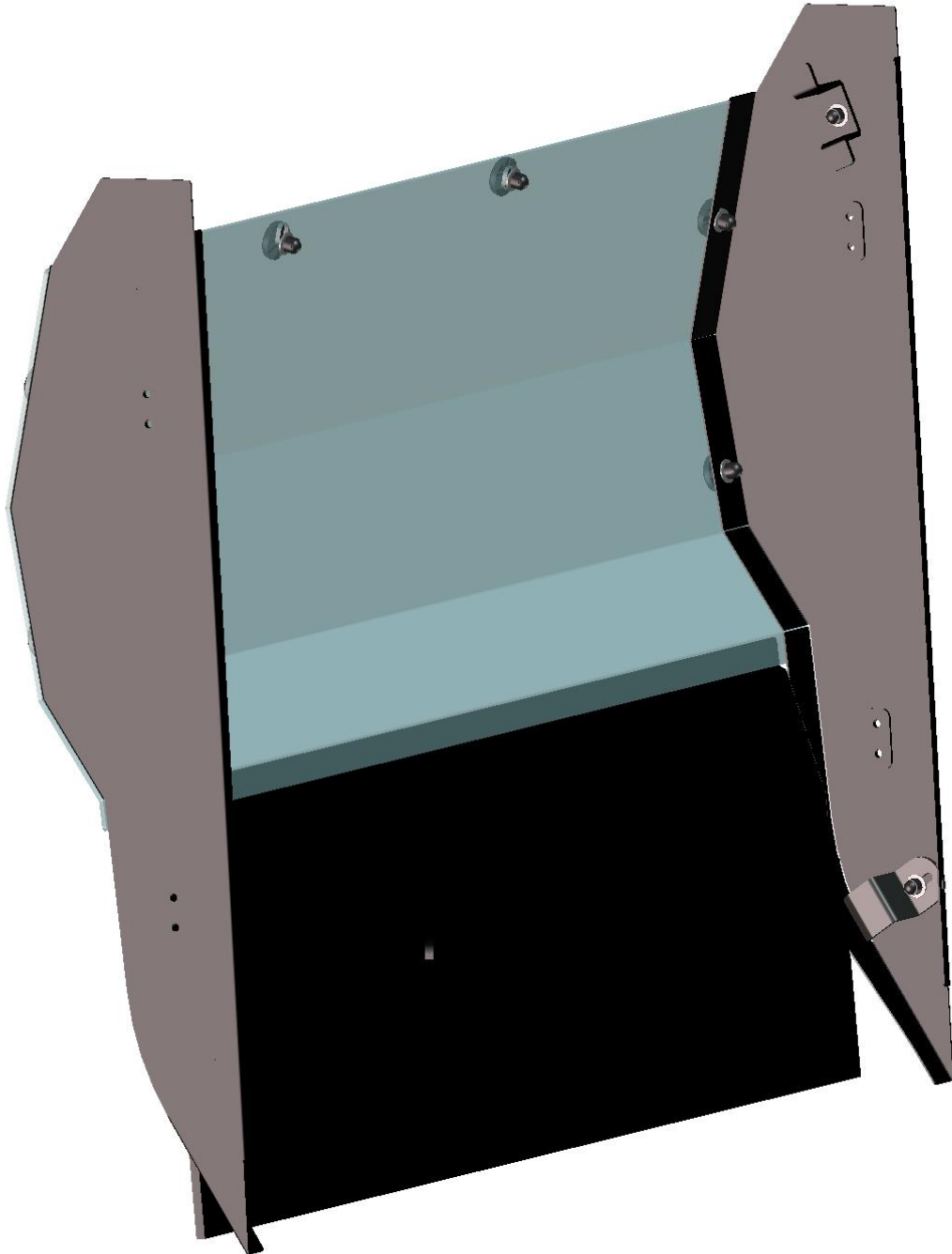


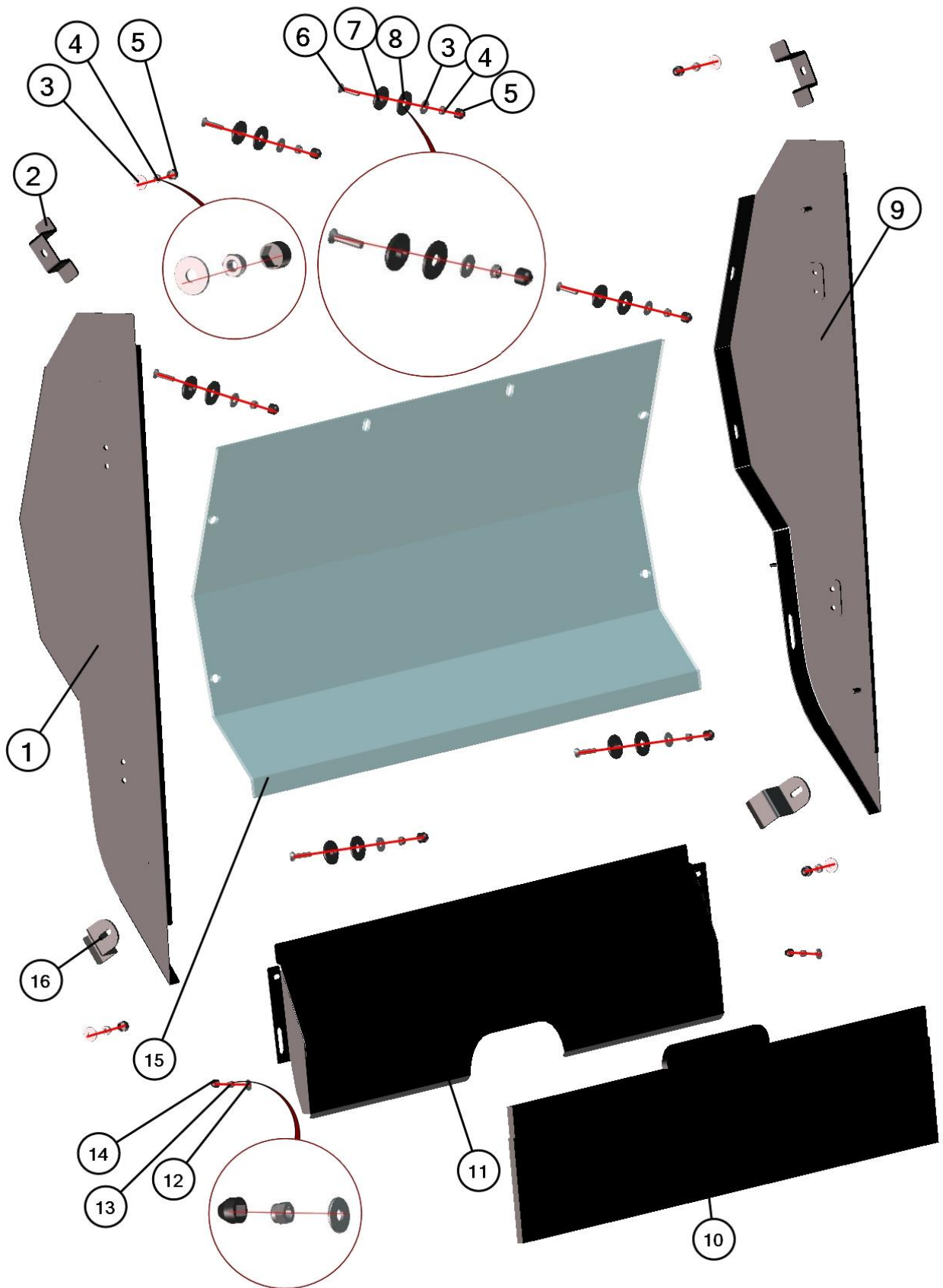


10

Position	Catalogue no.	Description	Qty
1	002496	HANDLE	1
2	001309	PLASTIC NUT COVER OK13	18
3	001388	SELF-LOCKING NUT M8	18
4	001387	WASHER 8	12
5	001428	RUBBER WASHER 8	6
6	001429	PLASTIC WASHER 8	4
7	001694	SCREW M8x45	2
8	002389	FRONT GLASS LOCK	2
9	001770	SCREW M5x16	2
10	41S01U02-10-017	LEFT GLASS LOCK HOLDER	1
11	001723	SCREW M6x20	2
12	001488	SERRATED-LOCK WASHER 6	2
13	001392	SELF LOCKING NUT M6	2
14	41S01U01-40-011	LEFT DOOR STOP HOLDER	1
15	41S01U01-40W002	LEFT FRONT BOTTOM HOLDER	1
16	001407	WASHER 8 LARGE	6
17	001760	SCREW M8x35	2
18	002534	SCREW M10x60	2
19	001485	WASHER 10	2
20	002533	SELF-LOCKING NUT M10	2
21	41S01U01-10-006	FRONT BOTTOM LEDGE	1
22	41S01U01-10-004	FRONT BOTTOM EPDM	1
23	41S01U02-10W001	FRONT BOTTOM LEDGE WELDED	1
24	41S01U01-50W002	RIGHT FRONT BOTTOM HOLDER	1
25	000854	DOOR STOP PIN	2
26	000855	DOOR STOP HOOK	2
27	000857	DOOR STOP WASHER	2
28	000856	DOOR STOP NUT	2
29	41S01U01-50-011	RIGHT DOOR STOP HOLDER	1
30	41S01U02-10-015	RIGHT GLASS LOCK HOLDER	1

REAR PANEL



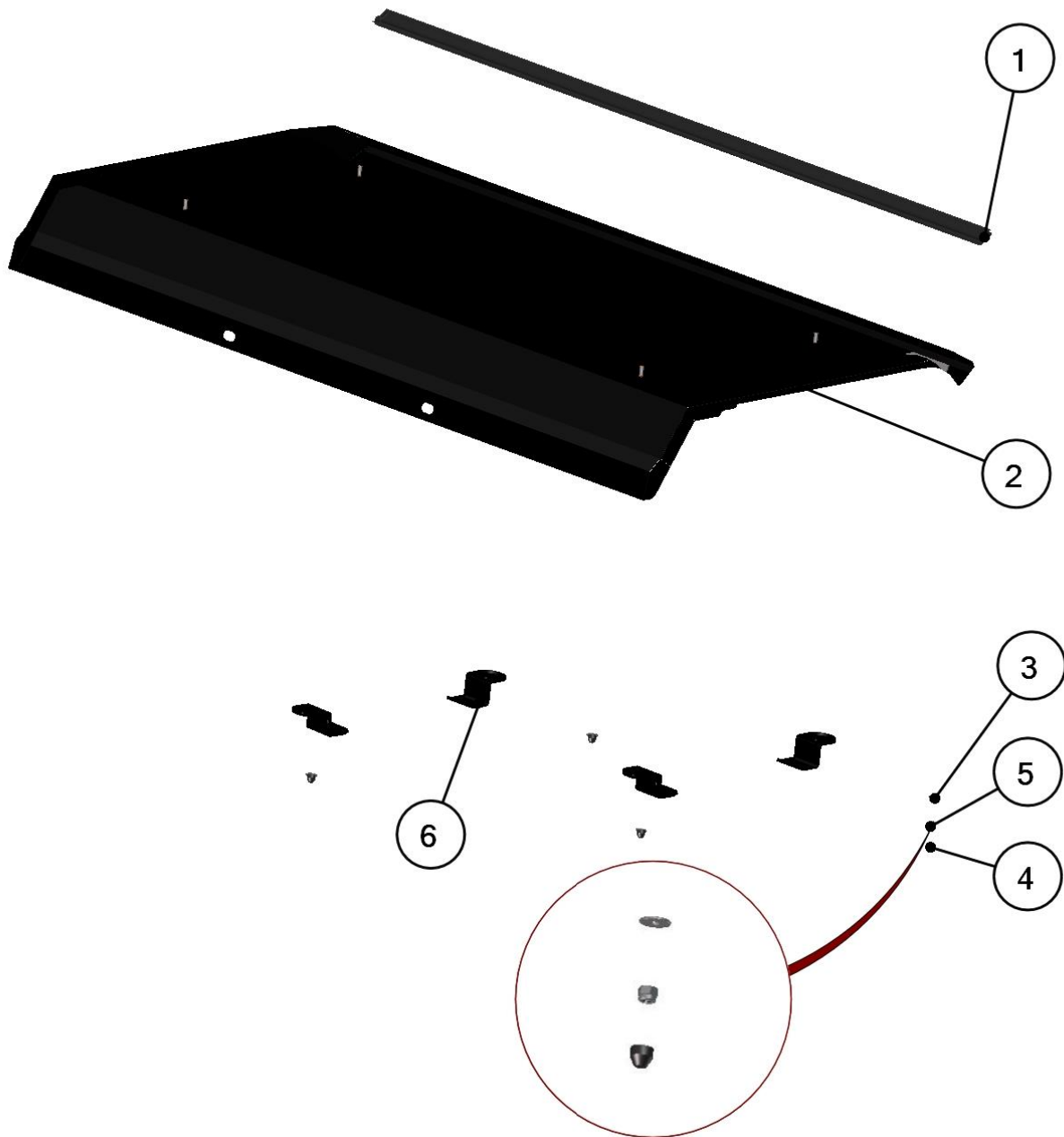


Position	Catalogue no.	Description	Qty
1	41S01U03-20W001	RIGHT DOOR BASE	1
2	41S01U01-20-003	UPPER DOOR BASE HOLDER	2
3	001407	WASHER 8 LARGE	10
4	001388	SELF-LOCKING NUT M8	10
5	001309	PLASTIC NUT COVER OK 13	10
6	001760	SCREW M8x35	6
7	001429	PLASTIC WASHER 8	6
8	001428	RUBBER WASHER 8	6
9	41S01U03-20W002	LEFT DOOR BASE	1
10	41S01U01-20-011	REAR BOTTOM LEDGE EPDM	1
11	41S01U01-20-001	REAR BOTTOM LEDGE METAL	1
12	001337	WASHER 6 LARGE	2
13	001392	SELF-LOCKING NUT M6	2
14	001348	PLASTIC NUT COVER OK 10	2
15	41S01U03-20-002	REAR POLYCARBONATE WINDOW	1
16	40S01U01-20-009	BOTTOM DOOR BASE HOLDER	2

ROOF PANEL



15

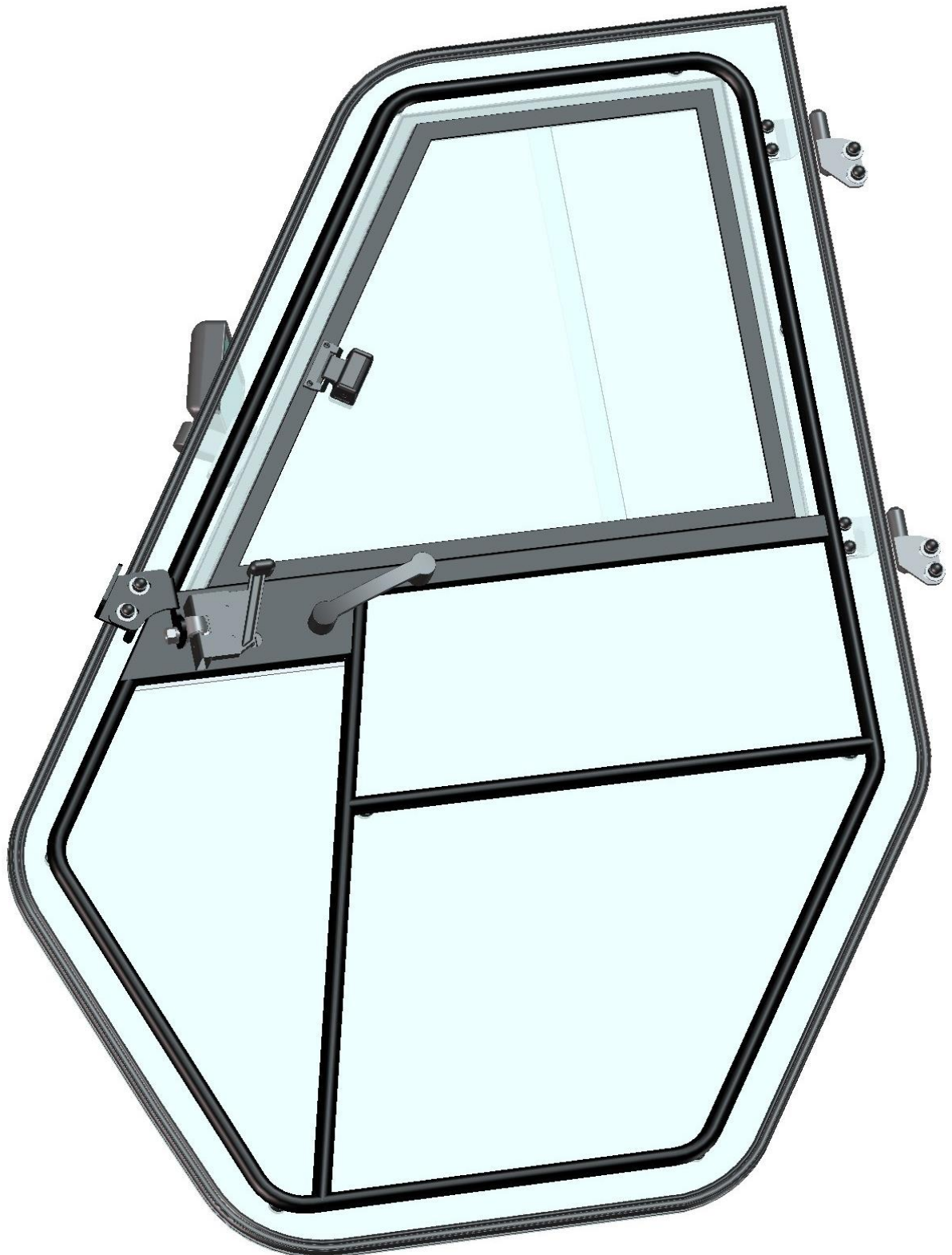


16

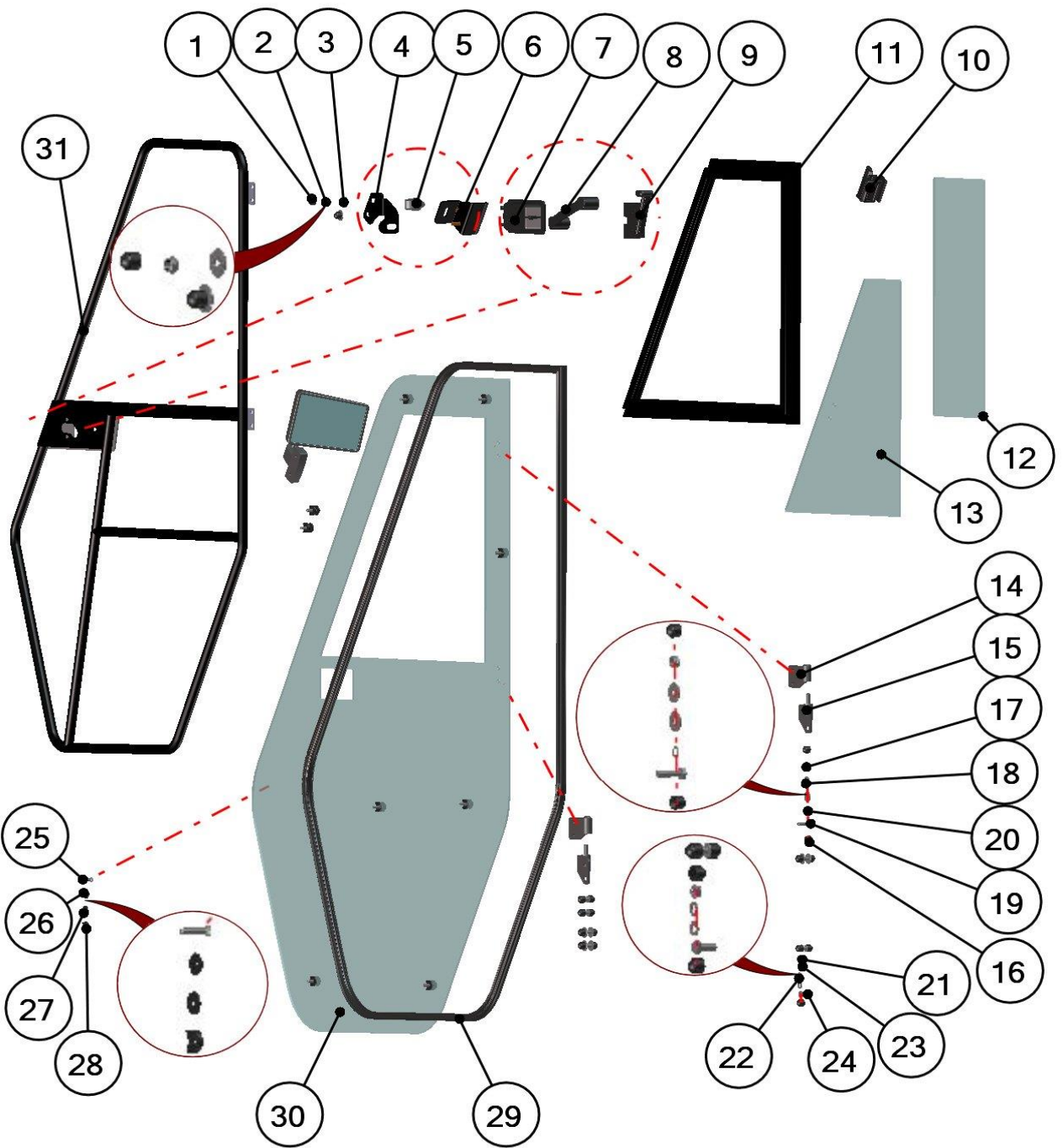
Position	Catalogue no.	Description	Qty
1	001005^41S01U01S30	RUBBER PROFILE "PIRELA STRAIGHT	1
2	41S01U01-30W001	ROOF PANEL WELDMENT	1
3	001407	RIVET WASHER 8	4
4	001309	PLASTIC NUT COVER OK 13	4
5	001388	SELF LOCKING NUT M8	4
6	41S01U01-30-003	ROOF HOLDER	4

DOOR LEFT AND DOOR RIGHT

LEFT DOOR IS SIMILAR WITH THE RIGHT DOOR JUST USE CORRECT TABLE



17



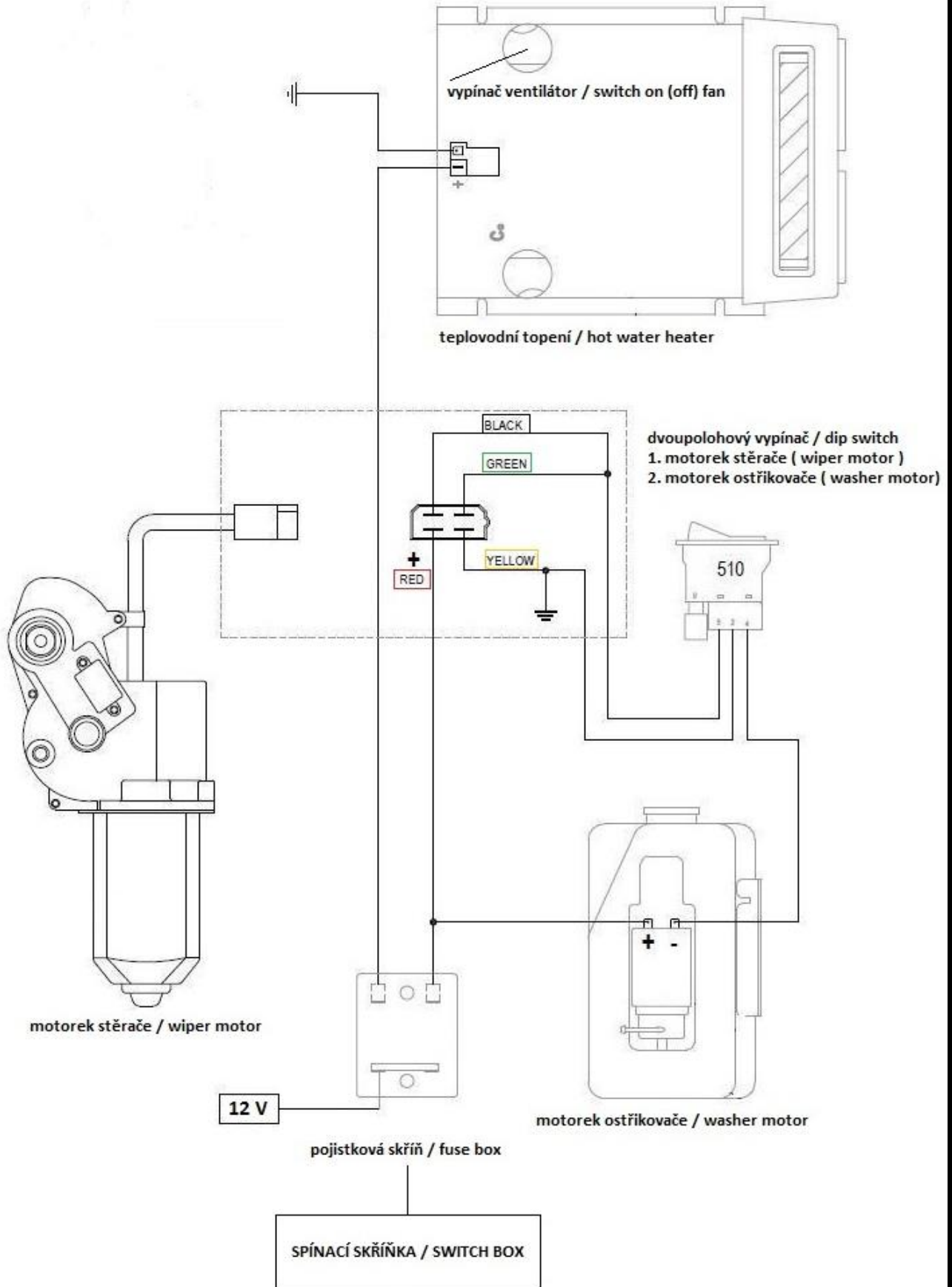
LEFT DOOR TABLE

Position	Catalogue no.	Description	Qty
1	001309	PLASTIC NUT COVER OK 10	2
2	001388	SELF LOCKING NUT M8	2
3	001407	RIVET WASHER 8	2
4	40S01U01-40-011	LEFT DOOR STOP PIN HOLDER	1
5	00-40M007	DOOR STOP PIN	1
6	40S01U01-40W002	LEFT FRONT LEDGE HOLDER WELDED	1
7	000841	DOOR LOCK HANDLE "WA"	1
8	001703	DOOR HANDLE "MOSS"	1
9	001744	RIGHT INNNER DOOR LOCK	1
10	001700	GLASS LOCK "HAPPICH"	1
11	40S01U01-40-002	LEFT DOOR WINDOW FRAME PVC	1
12	40S01U01-50-009	DOOR GLASS SOLID	1
13	40S01U01-50-008	DOOR GLASS MOVABLE	1
14	00-105U-W004	LEFT DOOR HINGE	2
15	40S01U01-40W003	LEFT DOOR HINGE FRAME	2
16	001309	PLASTIC NUT COVER OK 13	8
17	001388	SELF LOCKING NUT M8	4
18	001407	RIVET WASHER 8	8
19	001411	SCREW M8x30	4
20	001489	SERRATED LOCK WASHER 8	4
21	001309	PLASTIC NUT COVER OK 13	8
22	001387	WASHER OF SCREW 8	8
23	001388	SELF LOCKING NUT M8	4
24	001437	SCREW M8x20	4
25	001701	SCREW M8x30	9
26	001715	PLASTIC WASHER 22x6.4x4.5	10
27	001735	RUBBER WASHER 22x6x2	10
28	001736	WASHER SEAT POST 22x6.2	10
29	002454^40S01U03S50	RUBBER PROFILE "SARAZIN"	1
30	40S01U03-50-001	DOOR PANEL "PC"	1
31	40S01U01-40W001	LEFT DOOR FRAME WELDET	1

RIGHT DOOR TABLE

Position	Catalogue no.	Description	Qty
1	001309	PLASTIC NUT COVER OK 10	2
2	001388	SELF LOCKING NUT M8	2
3	001407	RIVET WASHER 8	2
4	40S01U01-50-011	RIGHT DOOR STOP PIN HOLDER	1
5	00-40M007	DOOR STOP PIN	1
6	40S01U01-50W002	RIGHT FRONT LEDGE HOLDER WELDED	1
7	000841	DOOR LOCK HANDLE "WA"	1
8	001703	DOOR HANDLE "MOSS"	1
9	001744	RIGHT INNNER DOOR LOCK	1
10	001700	GLASS LOCK "HAPPICH"	1
11	40S01U01-50-002	RIGHT DOOR WINDOW FRAME PVC	1
12	40S01U01-50-009	DOOR GLASS SOLID	1
13	40S01U01-50-008	DOOR GLASS MOVABLE	1
14	00-105U-W003	RIGHT DOOR HINGE	2
15	40S01U01-50W003	RIGHT DOOR HINGE FRAME	2
16	001309	PLASTIC NUT COVER OK 13	8
17	001388	SELF LOCKING NUT M8	4
18	001407	RIVET WASHER 8	8
19	001411	SCREW M8x30	4
20	001489	SERRATED LOCK WASHER 8	4
21	001309	PLASTIC NUT COVER OK 13	8
22	001387	WASHER OF SCREW 8	8
23	001388	SELF LOCKING NUT M8	4
24	001437	SCREW M8x20	4
25	001701	SCREW M8x30	9
26	001715	PLASTIC WASHER 22x6.4x4.5	10
27	001735	RUBBER WASHER 22x6x2	10
28	001736	WASHER SEAT POST 22x6.2	10
29	002454^40S01U03S50	RUBBER PROFILE "SARAZIN"	1
30	40S01U03-50-001	DOOR PANEL "PC"	1
31	40S01U01-50W001	RIGHT DOOR FRAME WELDET	1

ELECTROINSTALLATION



Position	Catalogue no.	Description	Qty
1	000900	HEAT 12V	1
2	000968	SWITCH – WIPER/ WASHER/ OFF	1
3	001576	WASHER MOTOR	1
4	000885	WASHER TANK	1
5	001652	FUSE BOX 2x1	1
6	002764	WIPERMOTOR 12V	1
7	41S01U01-01M001	CABLE HARNESS – WIPER, WASHER, HEATER	1
8	00-005E02	HEATING HOLDEER	1
9	002503	Y COUPLING	2
10	001367	TIGHTENING STRAP	6
11	00-011E02	WASHER COMPLET HOLDER	1
12	001775	BUSHING TUBE	1

See the pictures on the next pages.



Position : 1
Catalogue no.: 000900



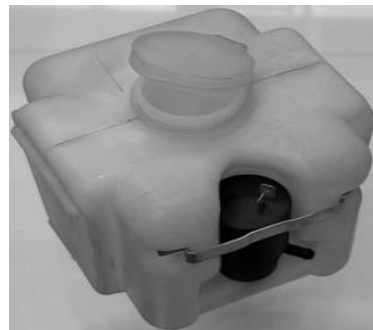
Position : 2
Catalogue no.: 000968



Position : 3
Catalogue no.: 001576



Position : 4
Catalogue no.: 001652



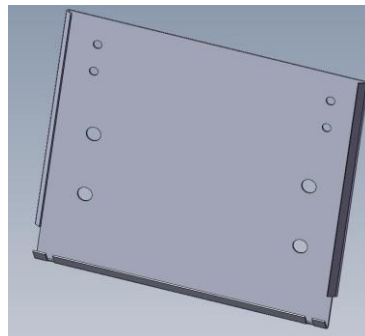
Position : 5
Catalogue no.: 000885



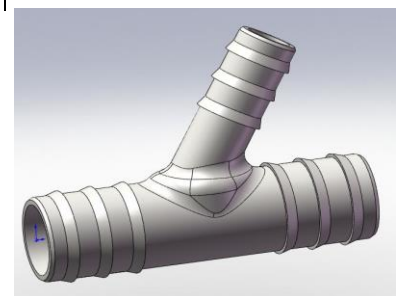
Position : 6
Catalogue no.: 002764



Position : 7
Catalogue no.: 41S01U01-01M001



Position : 8
Catalogue no.: 00-005E02



Position : 9
Catalogue no.: 002503



Position : 10

Catalogue no.: 001367



Position : 11

Catalogue no.: 00-011E02



Position : 12

Catalogue no.: 001775

