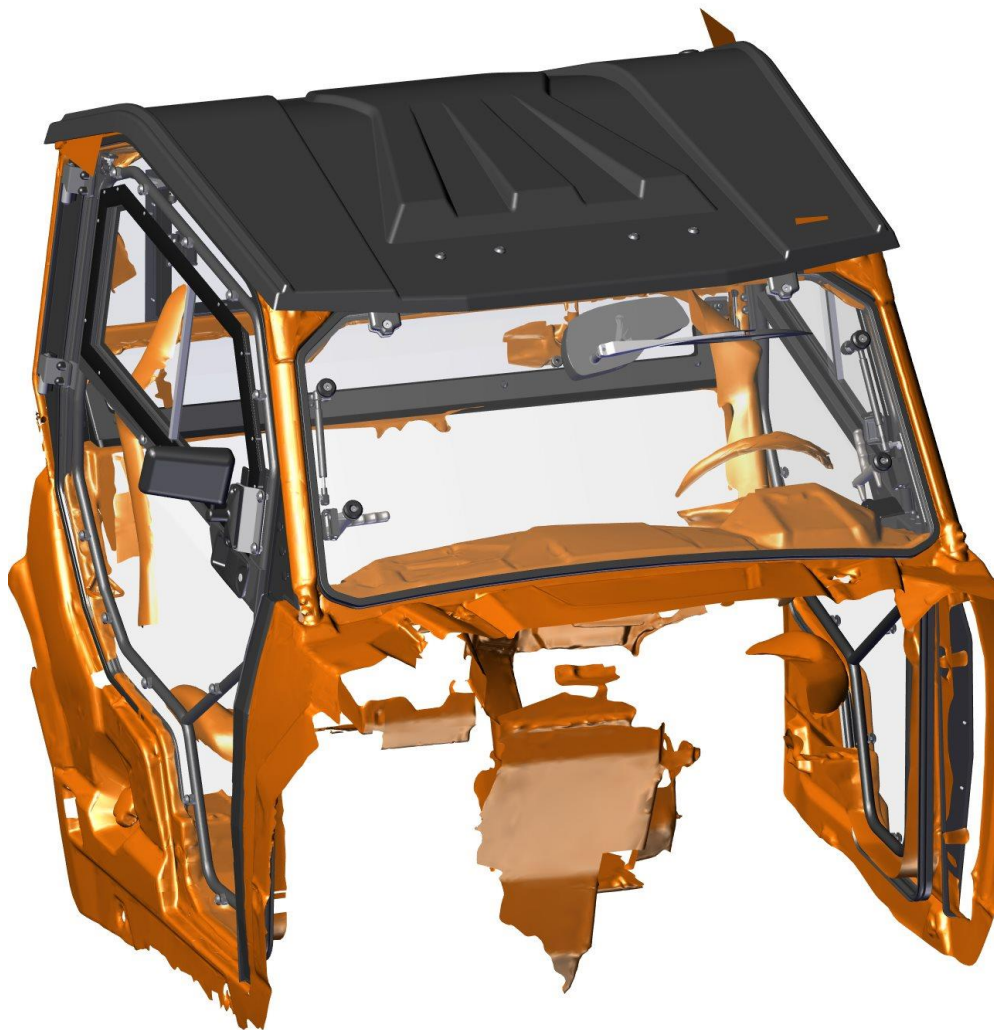


# HardCabs

A DFK AMERICA COMPANY

SPARE - PARTS CATALOG

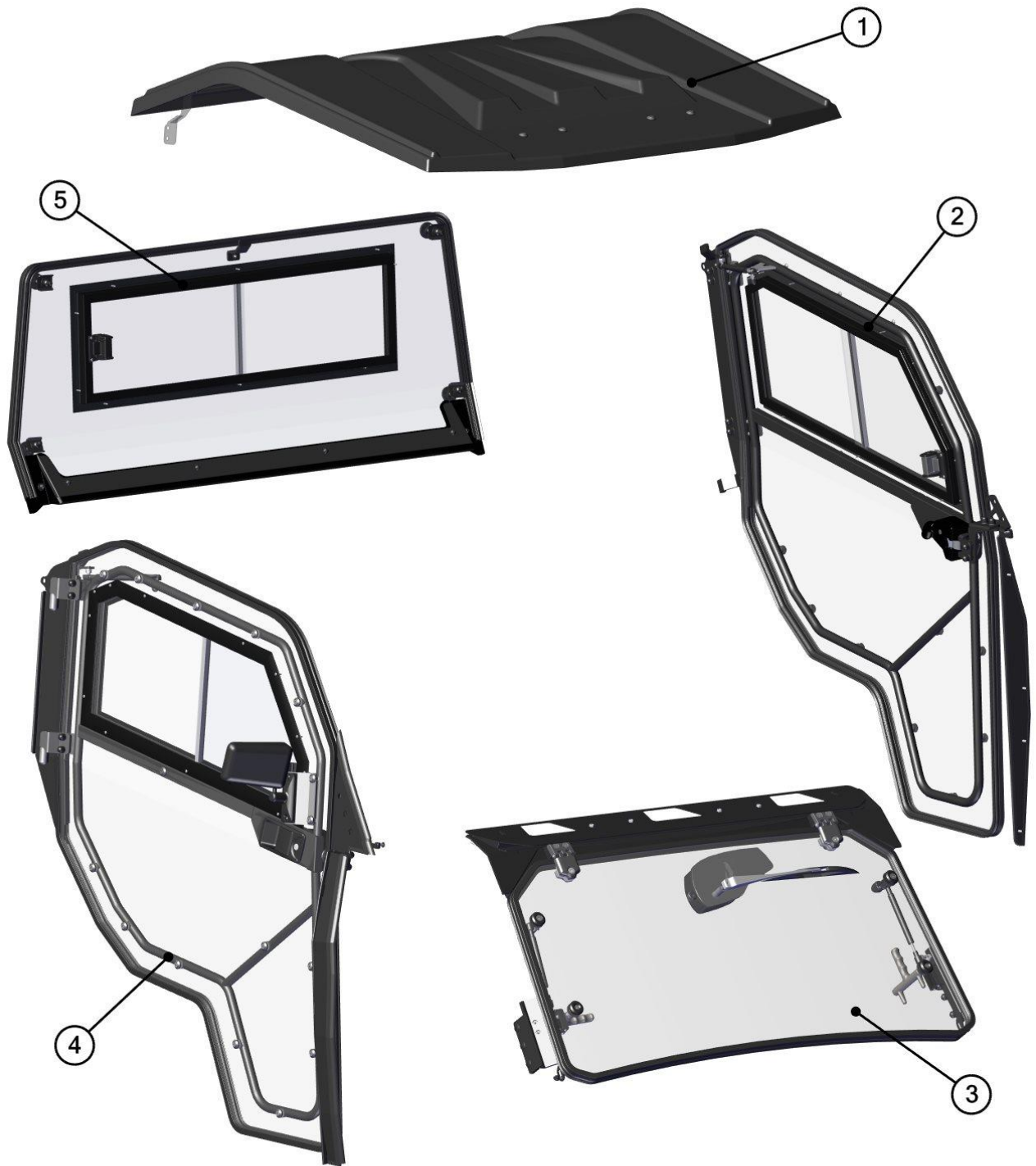
## POLARIS GENERAL 1000 EPS



CAB PREVIEW



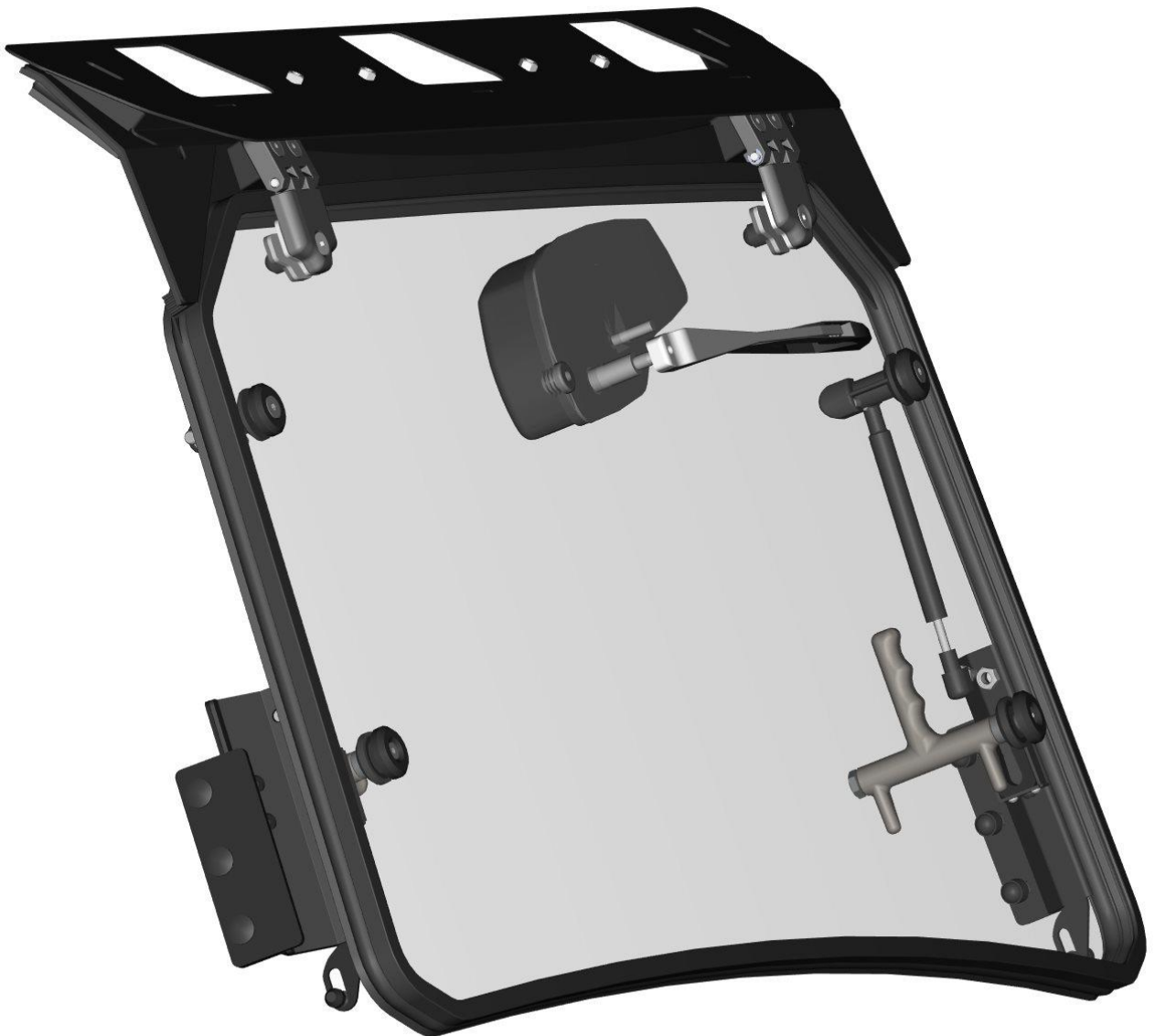
2



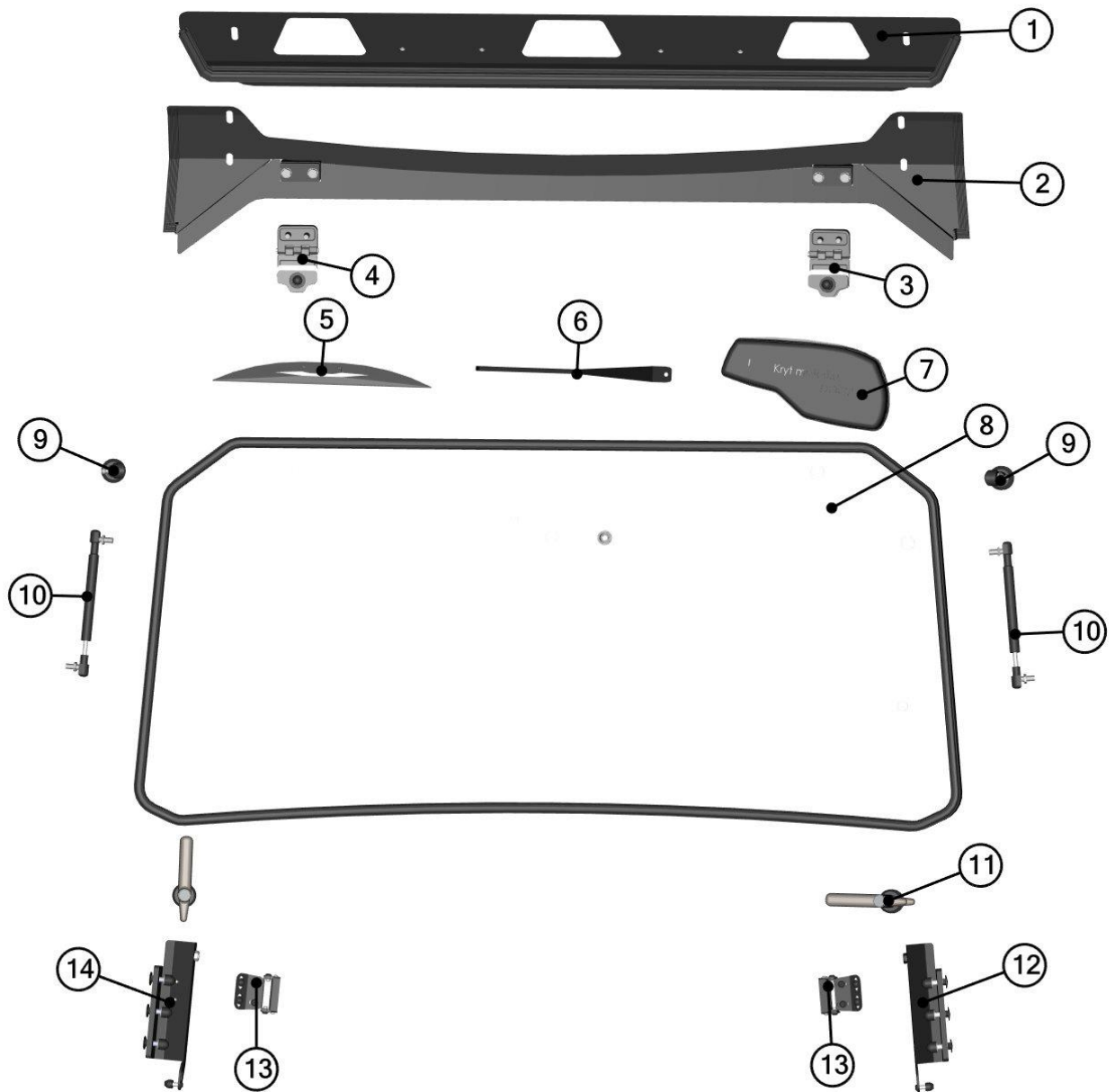
3

| ID | Catalogue no. | Description | Qty |
|----|---------------|-------------|-----|
| 1  | 32S10U01S30   | ROOF        | 1   |
| 2  | 32S10U01S40   | LEFT DOOR   | 1   |
| 3  | 32S10U01S10   | FRONT PANEL | 1   |
| 4  | 32S10U01S50   | RIGHT DOOR  | 1   |
| 5  | 32S10U01S20   | REAR PANEL  | 1   |

FRONT PANEL



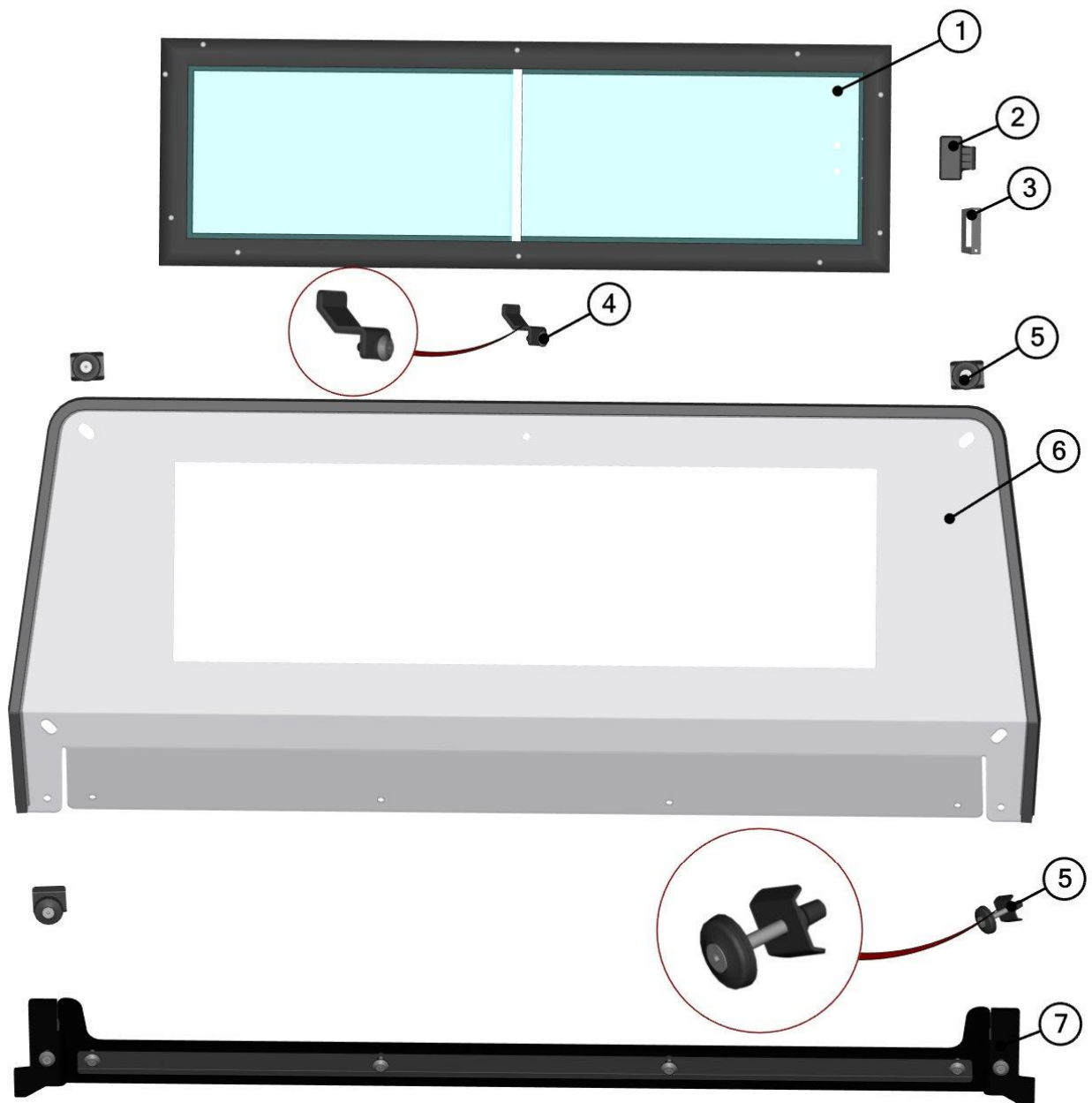




| ID | Catalogue no.   | Description                            | Qty |
|----|-----------------|----------------------------------------|-----|
| 1  | 32S10U01-10M009 | FRONT UPPER SEALING ASSEMBLY           | 1   |
| 2  | 32S10U01-10M007 | FRONT UPPER LEDGE ASSEMBLY             | 1   |
| 3  | 32S10U01-10M005 | RIGHT FRONT HINGE ASSEMBLY             | 1   |
| 4  | 32S10U01-10M006 | LEFT FRONT HINGE ASSEMBLY              | 1   |
| 5  | 002537          | WIPER LATH                             | 1   |
| 6  | 002535          | WIPER ARM                              | 1   |
| 7  | 00-10M005       | WIPER MOTOR ASSEMBLY                   | 1   |
| 8  | 32S10U01-10M001 | FRONT GLASS WITH SEALING               | 1   |
| 9  | 00-20M005       | GAS SPRING HOLDER ASSEMBLY             | 2   |
| 10 | 32S10U01-10M012 | GAS SPRING ASSEMBLY                    | 2   |
| 11 | 00-10M026       | FRONT GLASS LOCK                       | 2   |
| 12 | 32S10U01-10M013 | RIGHT FRONT GLASS STOP HOLDER ASSEMBLY | 1   |
| 13 | 32S10U01-10M004 | FRONT GLASS STOP ASSEMBLY              | 2   |
| 14 | 32S10U01-10M015 | LEFT FRONT GLASS STOP HOLDER ASSEMBLY  | 1   |

REAR PANEL





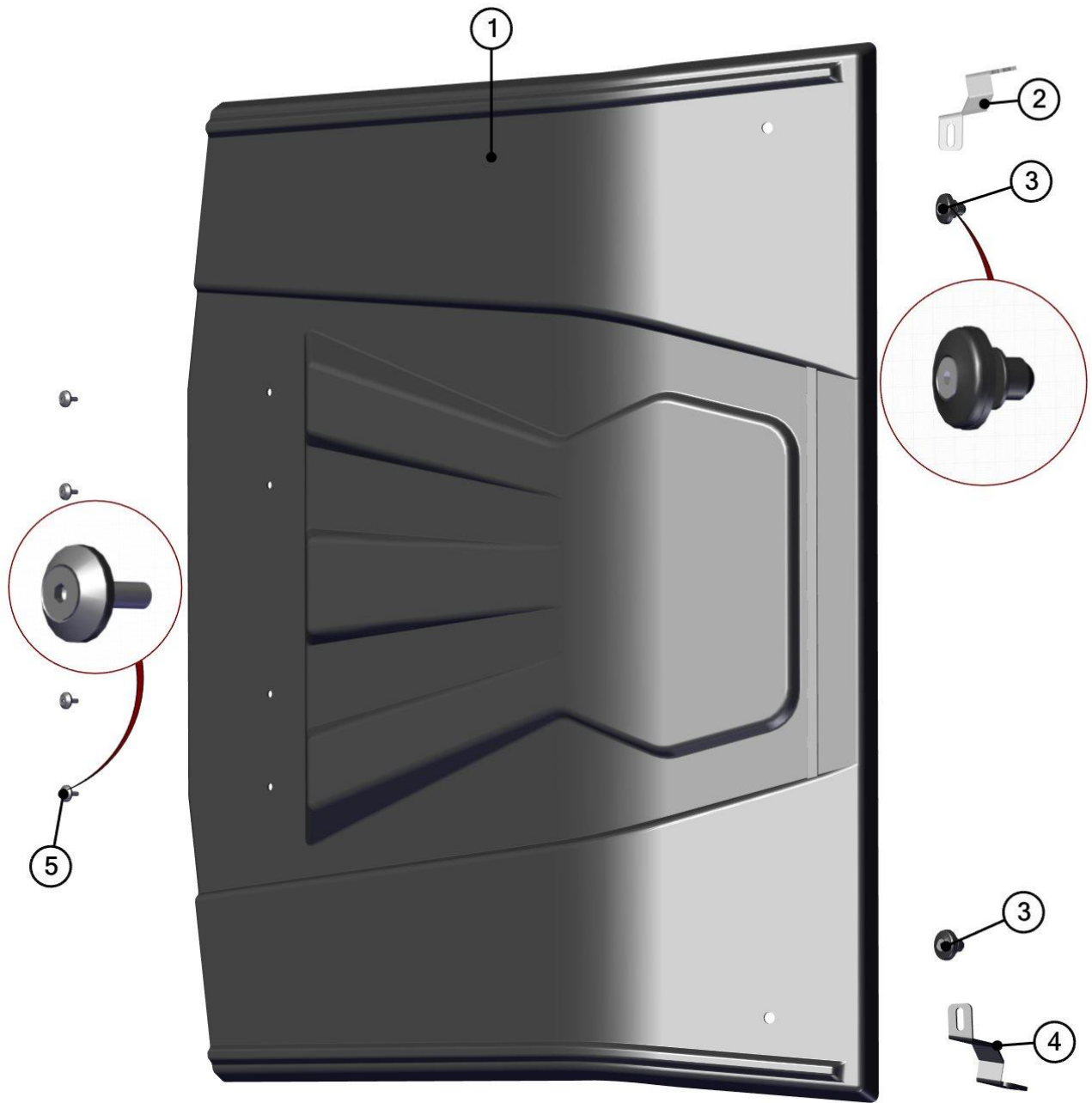
7

| ID | Catalogue no.   | Description                     | Qty |
|----|-----------------|---------------------------------|-----|
| 1  | 32S10U01-20M002 | REAR WINDOW ASSEMBLY            | 1   |
| 2  | 00-40M008       | GLASS LOCK ASSEMBLY             | 1   |
| 3  | 001762          | GLASS STOP                      | 1   |
| 4  | 32S10U01-20M006 | REAR MIDDLE HOLDER ASSEMBLY     | 1   |
| 5  | 32S10U01-20M005 | REAR HOLDER ASSEMBLY            | 4   |
| 6  | 32S10U01-20M001 | REAR POLYCARBONATE WITH SEALING | 1   |
| 7  | 32S10U01-20M003 | REAR BOTTOM SEALING ASSEMBLY    | 1   |

ROOF





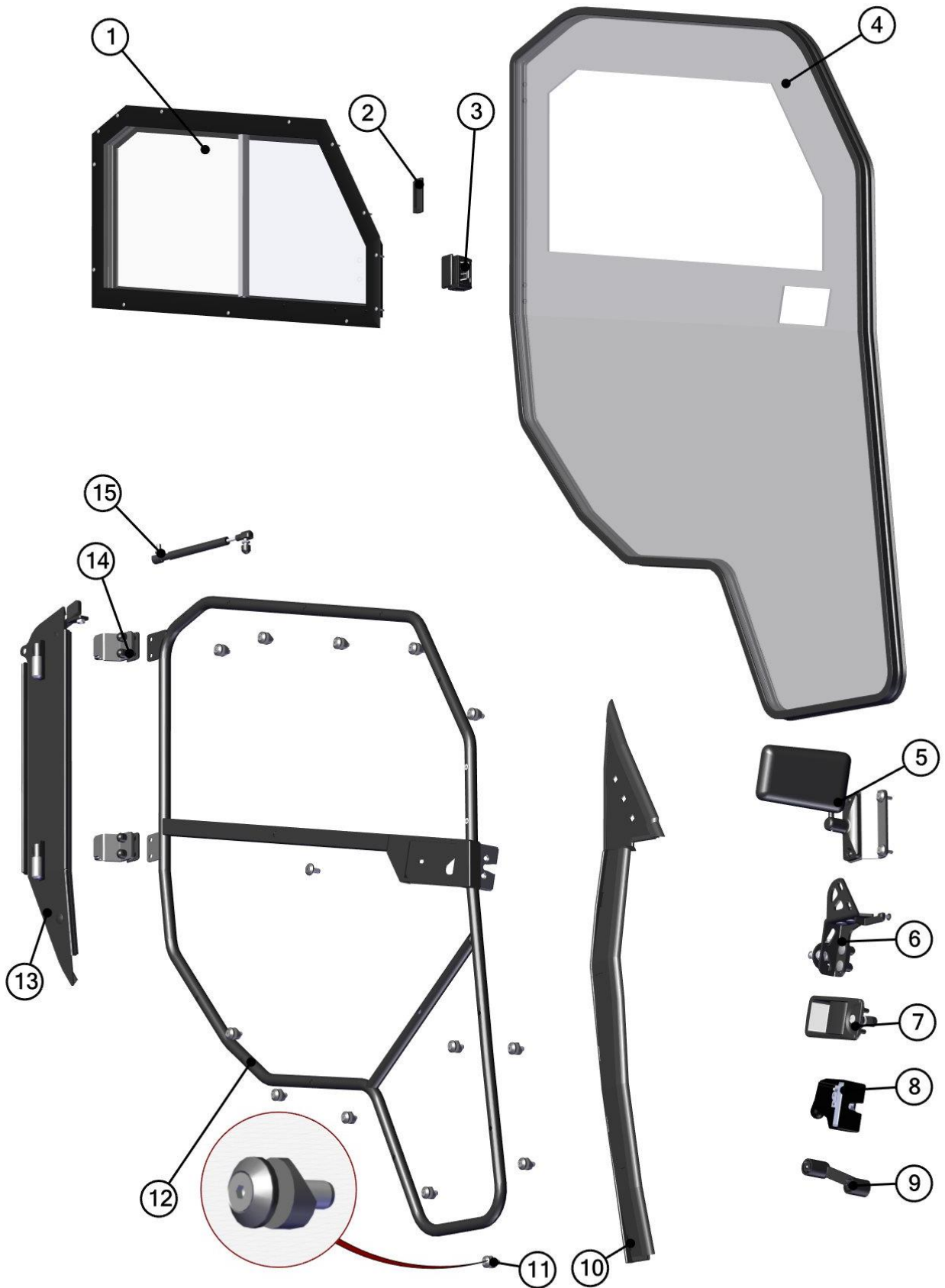


| ID | Catalogue no.   | Description       | Qty |
|----|-----------------|-------------------|-----|
| 1  | 32S10U01-30-001 | ROOF PANEL        | 1   |
| 2  | 32S10U01-30-002 | RIGHT ROOF HOLDER | 1   |
| 3  | 00-117U-M002    | FIXING ASSEMBLY 1 | 2   |
| 4  | 32S10U01-30-003 | LEFT ROOF HOLDER  | 1   |
| 5  | 00-00M020       | FIXING ASSEMBLY 2 | 4   |

LEFT DOOR + RIGHT DOOR



10



LEFT TABLE

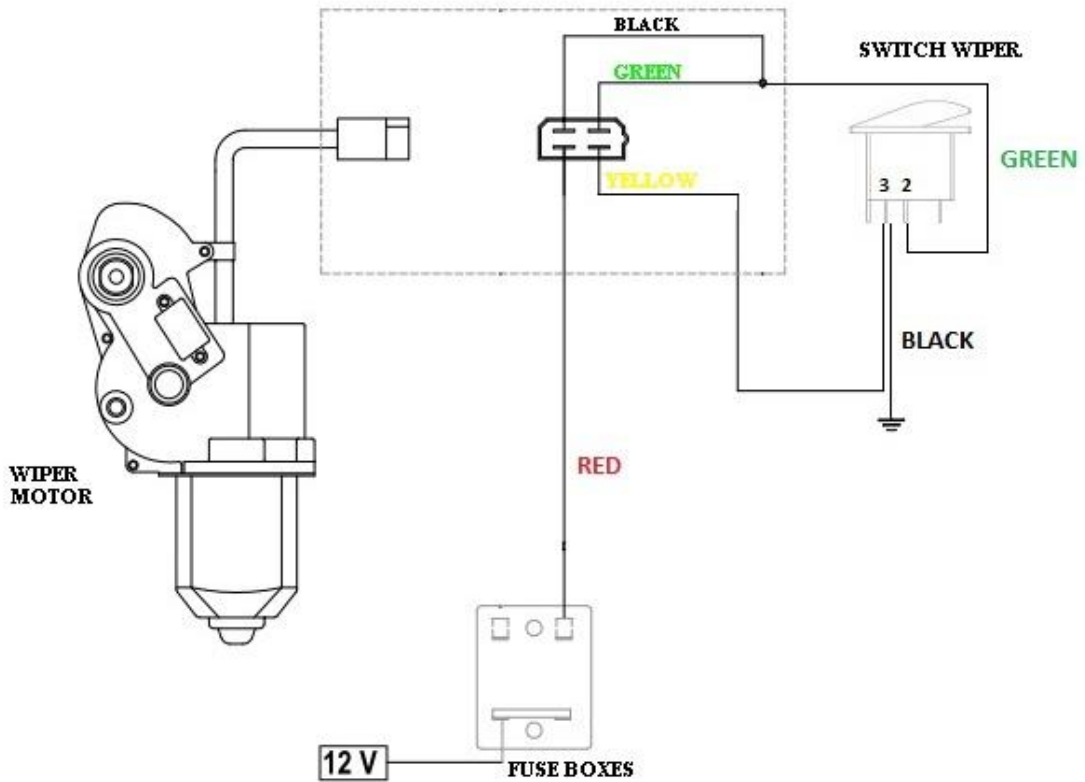
| ID | Catalogue no.   | Description                   | Qty |
|----|-----------------|-------------------------------|-----|
| 1  | 32S10U01-40M002 | LEFT WINDOW ASSEMBLY          | 1   |
| 2  | 001762          | GLASS STOP                    | 1   |
| 3  | 001700          | GLASS LOCK                    | 1   |
| 4  | 32S10U01-40M001 | LEFT DOOR POLYCARBONATE       | 1   |
| 5  | 00-109U-M003    | LEFT DOOR MIRROR              | 1   |
| 6  | 32S10U01-40M012 | LEFT DOOR STOP ASSEMBLY       | 1   |
| 7  | 000841          | OUTER DOOR LOCK               | 1   |
| 8  | 00-40M019       | LEFT DOOR LOCK ASSEMBLY       | 1   |
| 9  | 00-40M018       | DOOR HANDLE ASSEMBLY          | 1   |
| 10 | 32S10U01-40M013 | LEFT DOOR SEALING ASSEMBLY    | 1   |
| 11 | 00-00M019       | POLYCARBONATE FIXING ASSEMBLY | 13  |
| 12 | 32S10U01-40W001 | LEFT DOOR FRAME WELDED        | 1   |
| 13 | 32S10U01-40M007 | LEFT DOOR BASE ASSEMBLY       | 1   |
| 14 | 00-105U-M004    | LEFT DOOR HINGE ASSEMBLY      | 2   |
| 15 | 000867          | GAS SPRING                    | 1   |

RIGHT TABLE

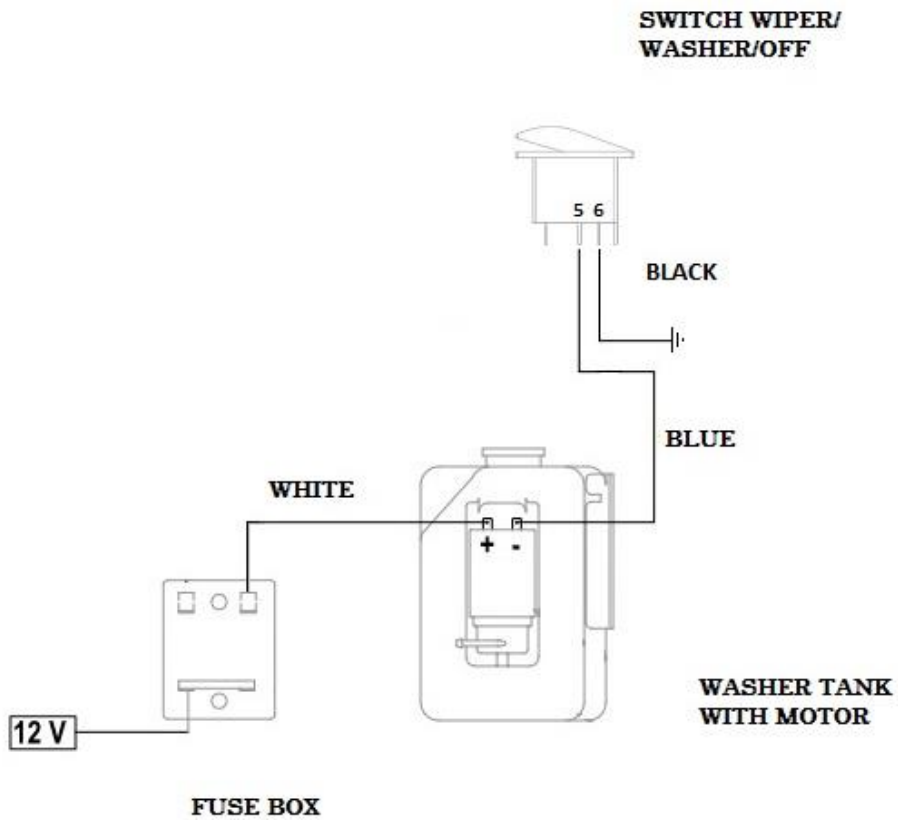
| ID | Catalogue no.   | Description                   | Qty |
|----|-----------------|-------------------------------|-----|
| 1  | 32S10U01-50M002 | RIGHT WINDOW ASSEMBLY         | 1   |
| 2  | 001762          | GLASS STOP                    | 1   |
| 3  | 001700          | GLASS LOCK                    | 1   |
| 4  | 32S10U01-50M001 | RIGHT DOOR POLYCARBONATE      | 1   |
| 5  | 00-109U-M004    | RIGHT DOOR MIRROR             | 1   |
| 6  | 32S10U01-50M012 | RIGHT DOOR STOP ASSEMBLY      | 1   |
| 7  | 000841          | OUTER DOOR LOCK               | 1   |
| 8  | 00-50M019       | RIGHT DOOR LOCK ASSEMBLY      | 1   |
| 9  | 00-40M018       | DOOR HANDLE ASSEMBLY          | 1   |
| 10 | 32S10U01-50M013 | RIGHT DOOR SEALING ASSEMBLY   | 1   |
| 11 | 00-00M019       | POLYCARBONATE FIXING ASSEMBLY | 13  |
| 12 | 32S10U01-50W001 | RIGHT DOOR FRAME WELDED       | 1   |
| 13 | 32S10U01-50M007 | RIGHT DOOR BASE ASSEMBLY      | 1   |
| 14 | 00-105U-M005    | RIGHT DOOR HINGE ASSEMBLY     | 2   |
| 15 | 000867          | GAS SPRING                    | 1   |

**ELECTROINSTALLATION**

Overall wiring diagram (wiper)

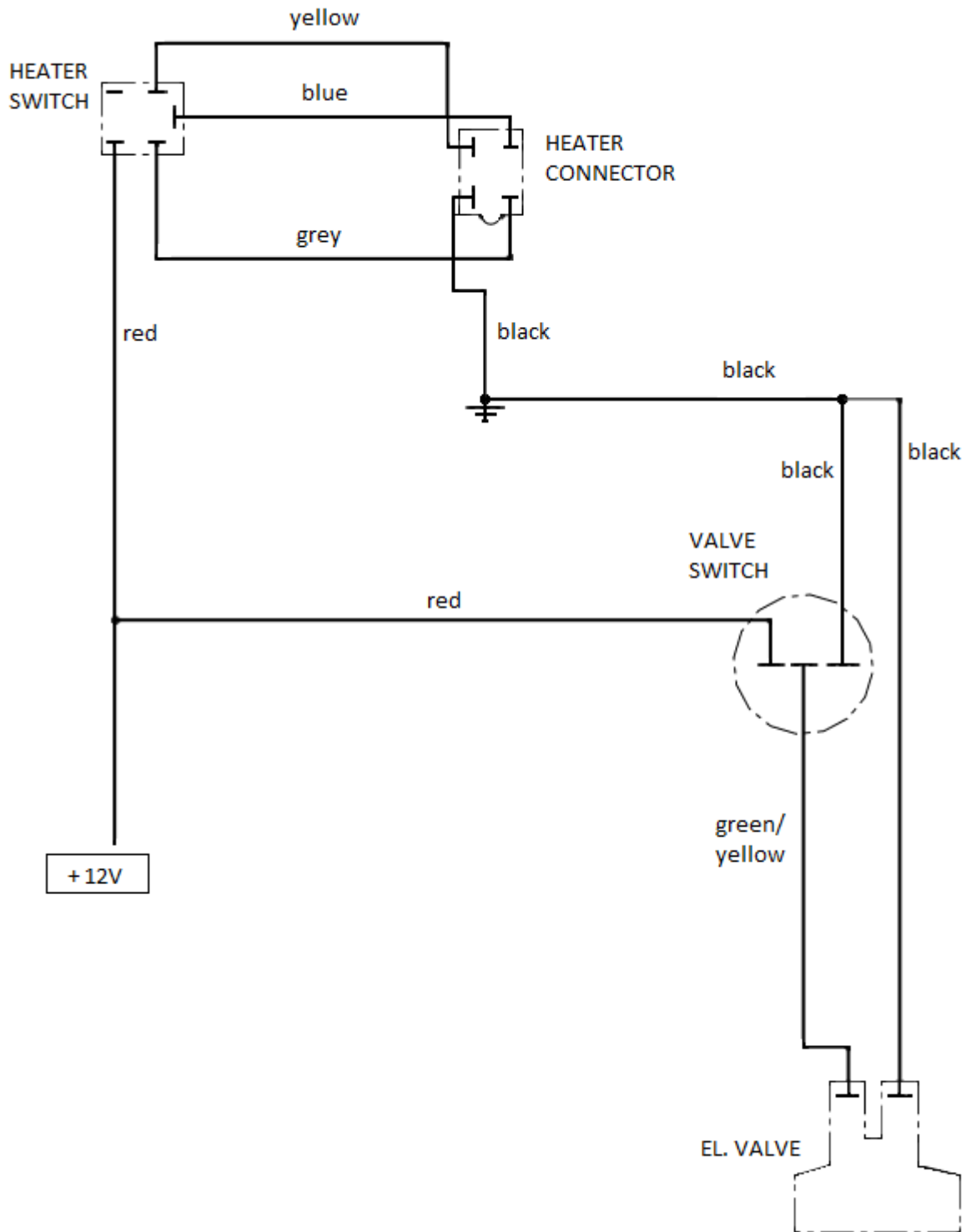


Overall wiring diagram (washer)







Overall wiring diagram (heater)



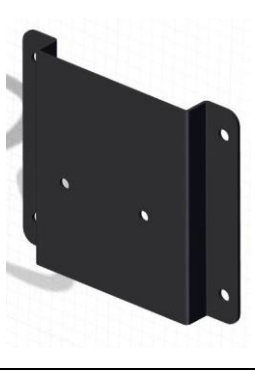








14

| Position | Catalogue no.   | Description                 | Qty |
|----------|-----------------|-----------------------------|-----|
| 1        | 004322          | SWITCH WIPER /WASHER /OFF   | 1   |
| 2        | 000885          | WASHER TANK                 | 1   |
| 3        | 001576          | WASHER MOTOR                | 1   |
| 4        | 001652          | FUSE BOX 2x1                | 1   |
| 5        | 002764          | WIPER MOTOR 12V             | 1   |
| 6        | 32S10U01-01M001 | WIPER HARNESS               | 1   |
| 7        | 32S10U01-03M001 | WASHER HARNESS              | 1   |
| 8        | 00-197U-M005    | WASHER TANK HOLDER ASSEMBLY | 1   |
| 9        | 004307          | HEATER                      | 1   |
| 10       | 32S10U01-02M001 | RIGHT HEATER COVER          | 1   |
| 11       | 32S10U01-02M002 | LEFT HEATER COVER           | 1   |
| 12       | 32S10U01-02-003 | HEATER HOLDER               | 1   |
| 13       | 002491          | AIR VENT VALVE              | 1   |
| 14       | 002386          | ELECTROMAGNETIC VALVE       | 1   |
| 15       | 001367          | TIGHTENING STRAP 12-22MM    | 2   |
| 16       | 002642          | TIGHTENING STRAP 14-27MM    | 10  |
| 17       | 002643          | TIGHTENING STRAP 21-38MM    | 2   |
| 18       | 001368          | TIGHTENING STRAP 40-60MM    | 4   |
| 19       | 002634          | AIR VENT                    | 4   |
| 20       | 002795          | AIR HOSE                    | 1   |
| 21       | 002705          | AL SELFGLUED TAPE           | 1   |
| 22       | 003536          | HEATER TUBE "Y" SMALL       | 1   |
| 23       | 002502          | HEATER TUBE "Y" LARGE       | 1   |
| 24       | 002391          | EL.VENT SWITCH              | 1   |
| 25       | 002702          | HEATER SWITCH               | 1   |
| 26       | 32S10U01-02M004 | HEATER HARNESS              | 1   |
| 27       | 000896          | HEATER HOSE                 | 1   |

SEE PICTURES ON NEXT PAGES

|                                                                                     |                                                                                      |                                                                                       |
|-------------------------------------------------------------------------------------|--------------------------------------------------------------------------------------|---------------------------------------------------------------------------------------|
|    |    |    |
| <b>Position : 1</b>                                                                 | <b>Position : 2</b>                                                                  | <b>Position : 3</b>                                                                   |
| <b>Catalogue no.: 004322</b>                                                        | <b>Catalogue no.: 000885</b>                                                         | <b>Catalogue no.: 001576</b>                                                          |
|   |    |   |
| <b>Position : 4</b>                                                                 | <b>Position : 5</b>                                                                  | <b>Position : 6</b>                                                                   |
| <b>Catalogue no.: 001652</b>                                                        | <b>Catalogue no.: 002764</b>                                                         | <b>Catalogue no.: 32S10U01-01M001</b>                                                 |
|  |  |  |
| <b>Position : 7</b>                                                                 | <b>Position : 8</b>                                                                  | <b>Position : 9</b>                                                                   |
| <b>Catalogue no.: 32S10U01-03M001</b>                                               | <b>Catalogue no.: 00-197U-M005</b>                                                   | <b>Catalogue no.: 004307</b>                                                          |

|                                                                                     |                                                                                      |                                                                                       |
|-------------------------------------------------------------------------------------|--------------------------------------------------------------------------------------|---------------------------------------------------------------------------------------|
|    |    |    |
| <b>Position : 10</b>                                                                | <b>Position : 11</b>                                                                 | <b>Position : 12</b>                                                                  |
| <b>Catalogue no.: 32S10U01-02M001</b>                                               | <b>Catalogue no.: 32S10U01-02M002</b>                                                | <b>Catalogue no.: 32S10U01-02-003</b>                                                 |
|   |   |   |
| <b>Position : 13</b>                                                                | <b>Position : 14</b>                                                                 | <b>Position : 15</b>                                                                  |
| <b>Catalogue no.: 002491</b>                                                        | <b>Catalogue no.: 002386</b>                                                         | <b>Catalogue no.: 001367</b>                                                          |
|  |  |  |
| <b>Position : 16</b>                                                                | <b>Position : 17</b>                                                                 | <b>Position : 18</b>                                                                  |
| <b>Catalogue no.: 002642</b>                                                        | <b>Catalogue no.: 002643</b>                                                         | <b>Catalogue no.: 001368</b>                                                          |

|                                                                                     |                                                                                      |                                                                                       |
|-------------------------------------------------------------------------------------|--------------------------------------------------------------------------------------|---------------------------------------------------------------------------------------|
|    |    |    |
| <b>Position : 19</b>                                                                | <b>Position : 20</b>                                                                 | <b>Position : 21</b>                                                                  |
| <b>Catalogue no.: 002634</b>                                                        | <b>Catalogue no.: 002795</b>                                                         | <b>Catalogue no.: 002705</b>                                                          |
|   |   |   |
| <b>Position : 22</b>                                                                | <b>Position : 23</b>                                                                 | <b>Position : 24</b>                                                                  |
| <b>Catalogue no.: 003536</b>                                                        | <b>Catalogue no.: 002502</b>                                                         | <b>Catalogue no.: 002391</b>                                                          |
|  |  |  |
| <b>Position : 25</b>                                                                | <b>Position : 26</b>                                                                 | <b>Position : 27</b>                                                                  |
| <b>Catalogue no.: 002702</b>                                                        | <b>Catalogue no.: 32S10U01-02M004</b>                                                | <b>Catalogue no.: 000896</b>                                                          |