

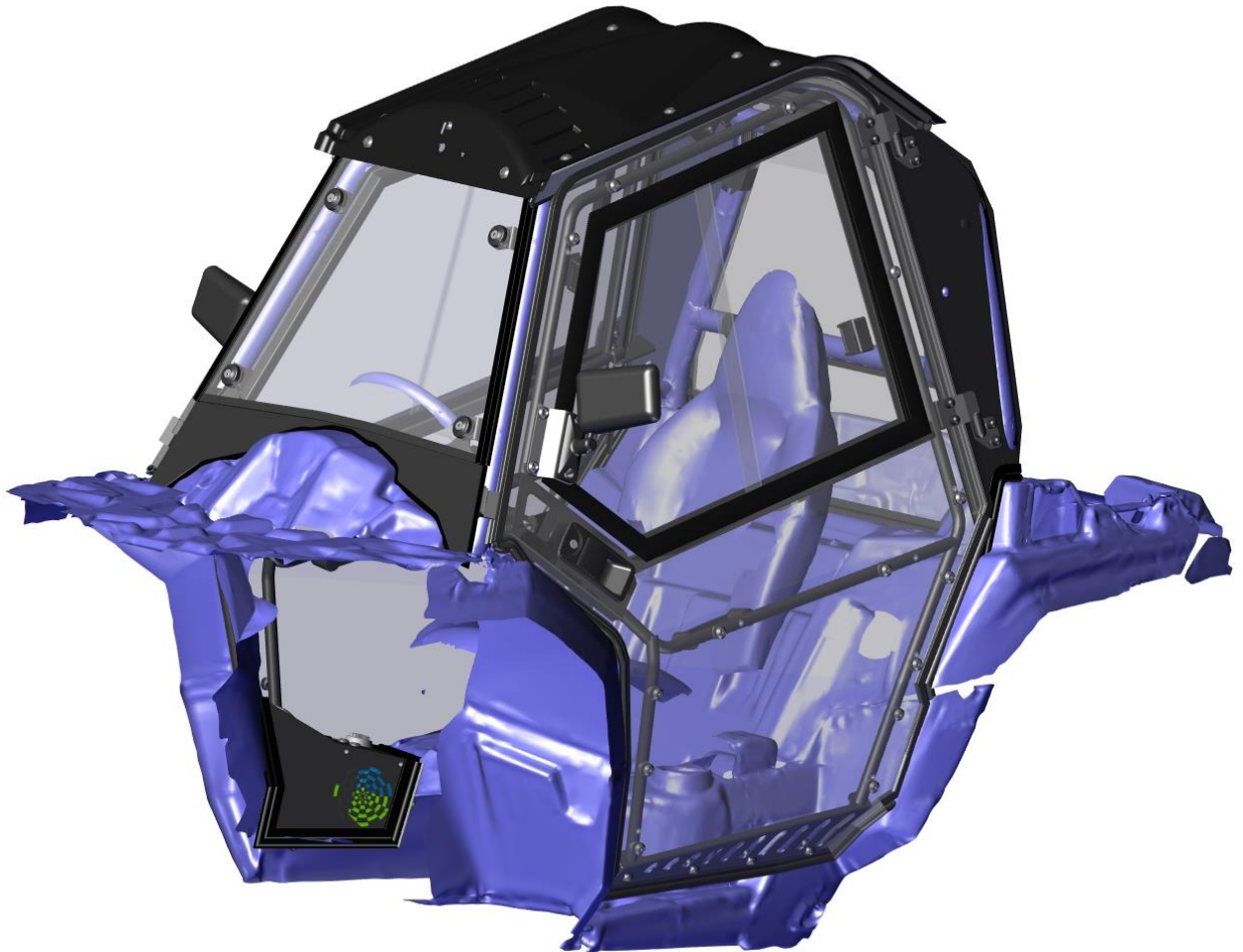
# HardCabs

A DFK AMERICA COMPANY

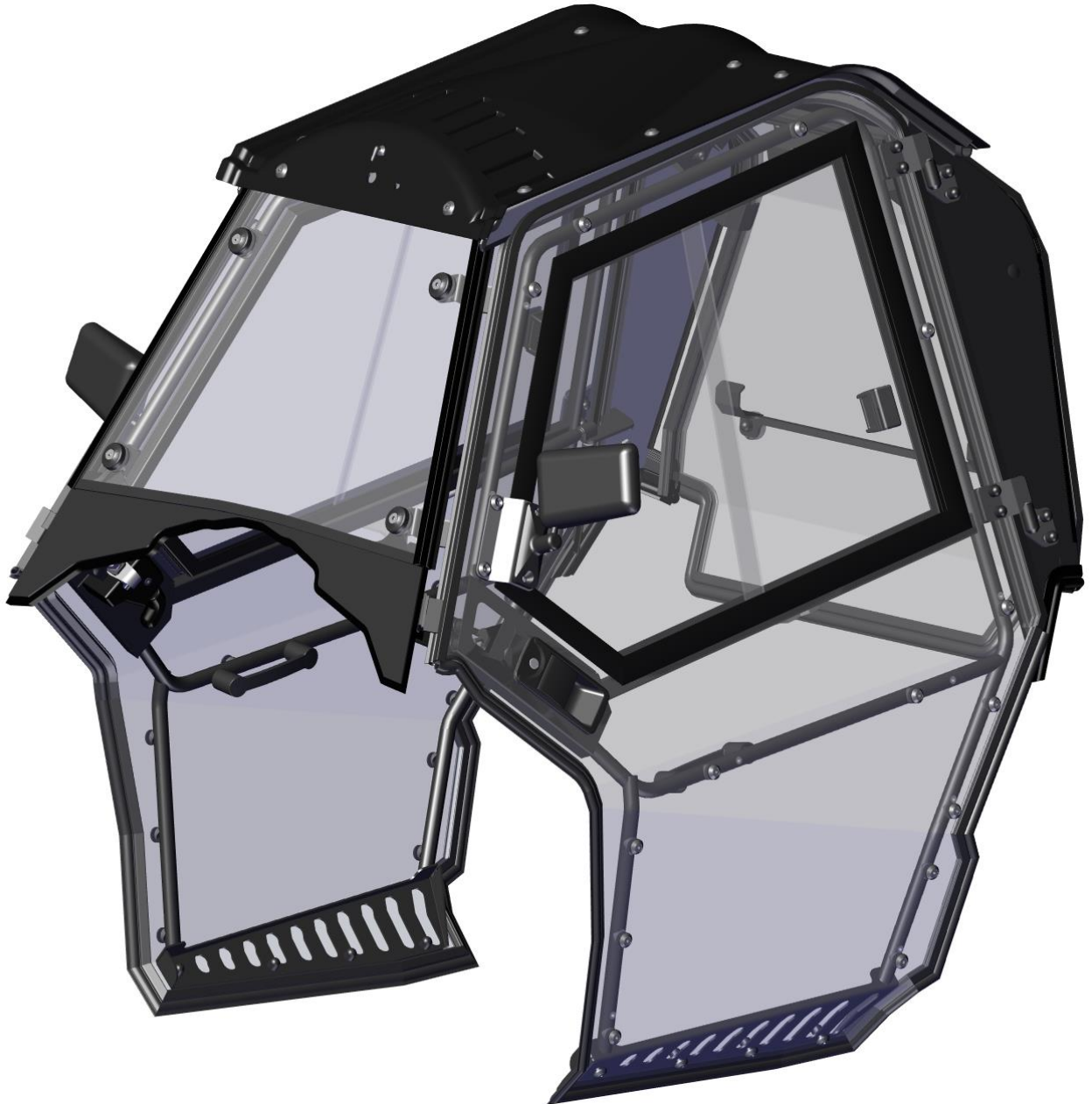
SPARE - PARTS CATALOGUE

## POLARIS

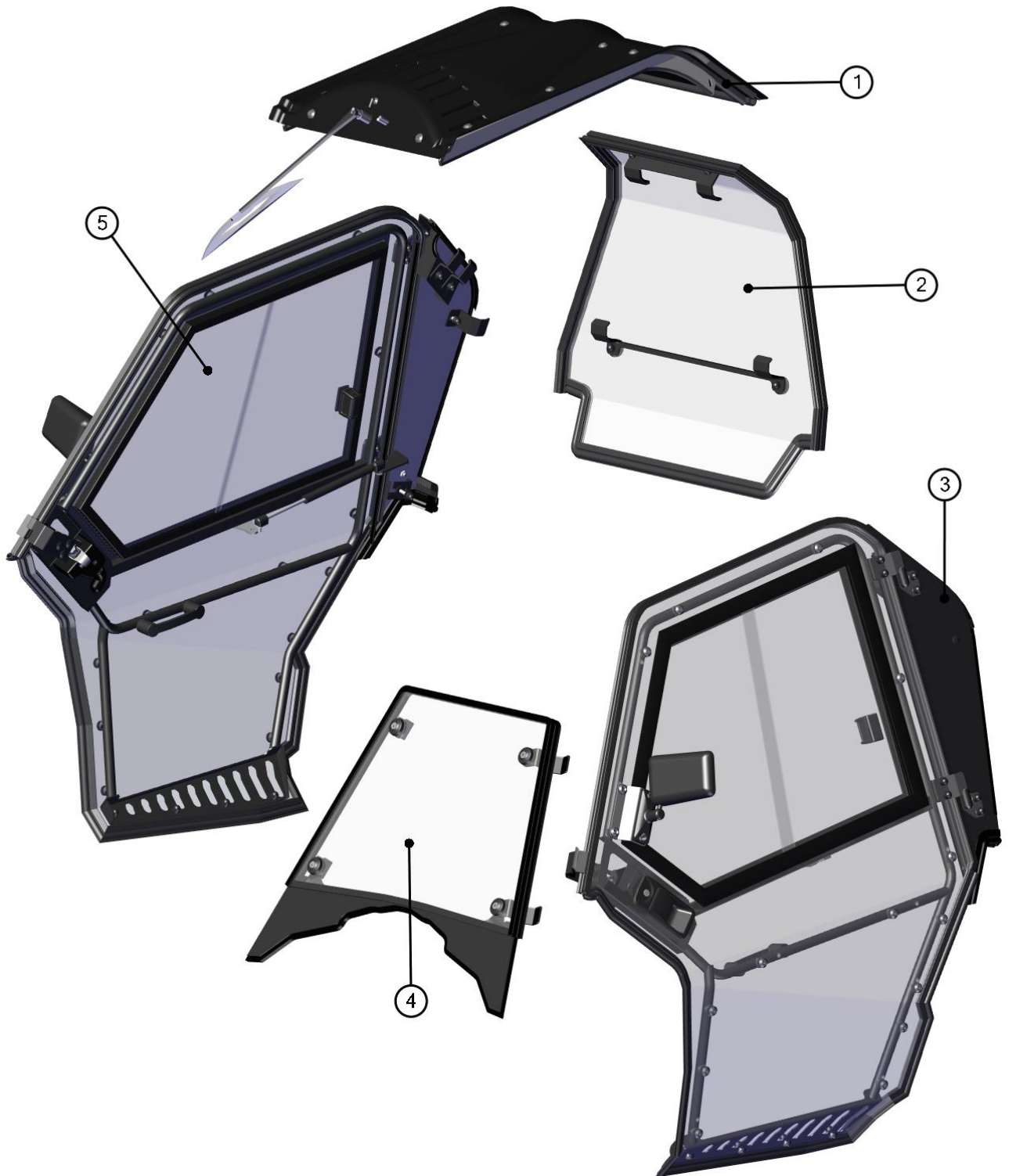
### ACE 570



CAB PREVIEW



2



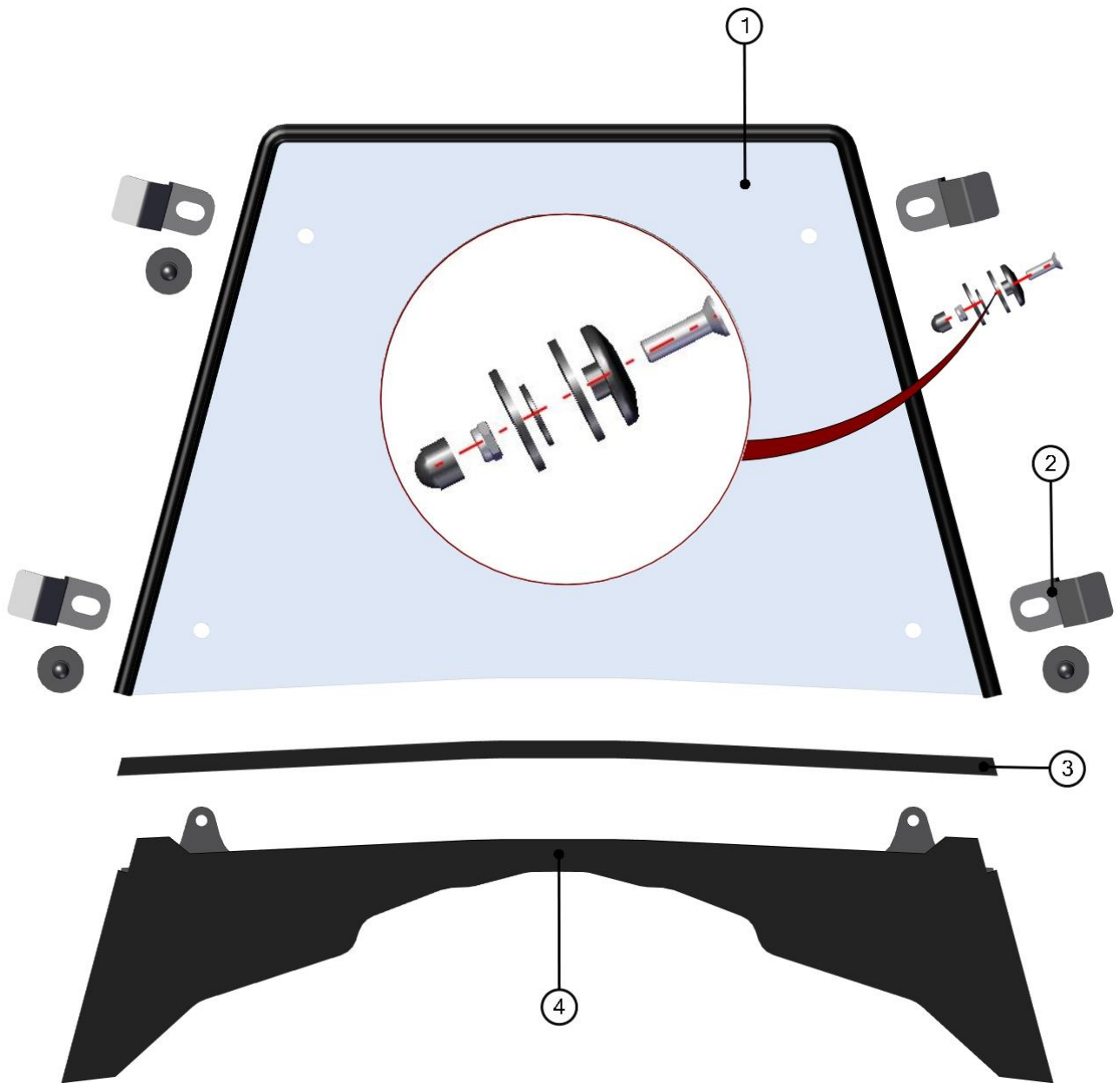
3

ID	Catalogue no.	Description	Qty
1	32S11U01S30	ROOF PANEL	1
2	32S11U01S20	REAR PANEL	1
3	32S11U01S40	LEFT DOOR	1
4	32S11U01S10	FRONT PANEL	1
5	32S11U01S50	RIGHT DOOR	1

FRONT PANEL



4



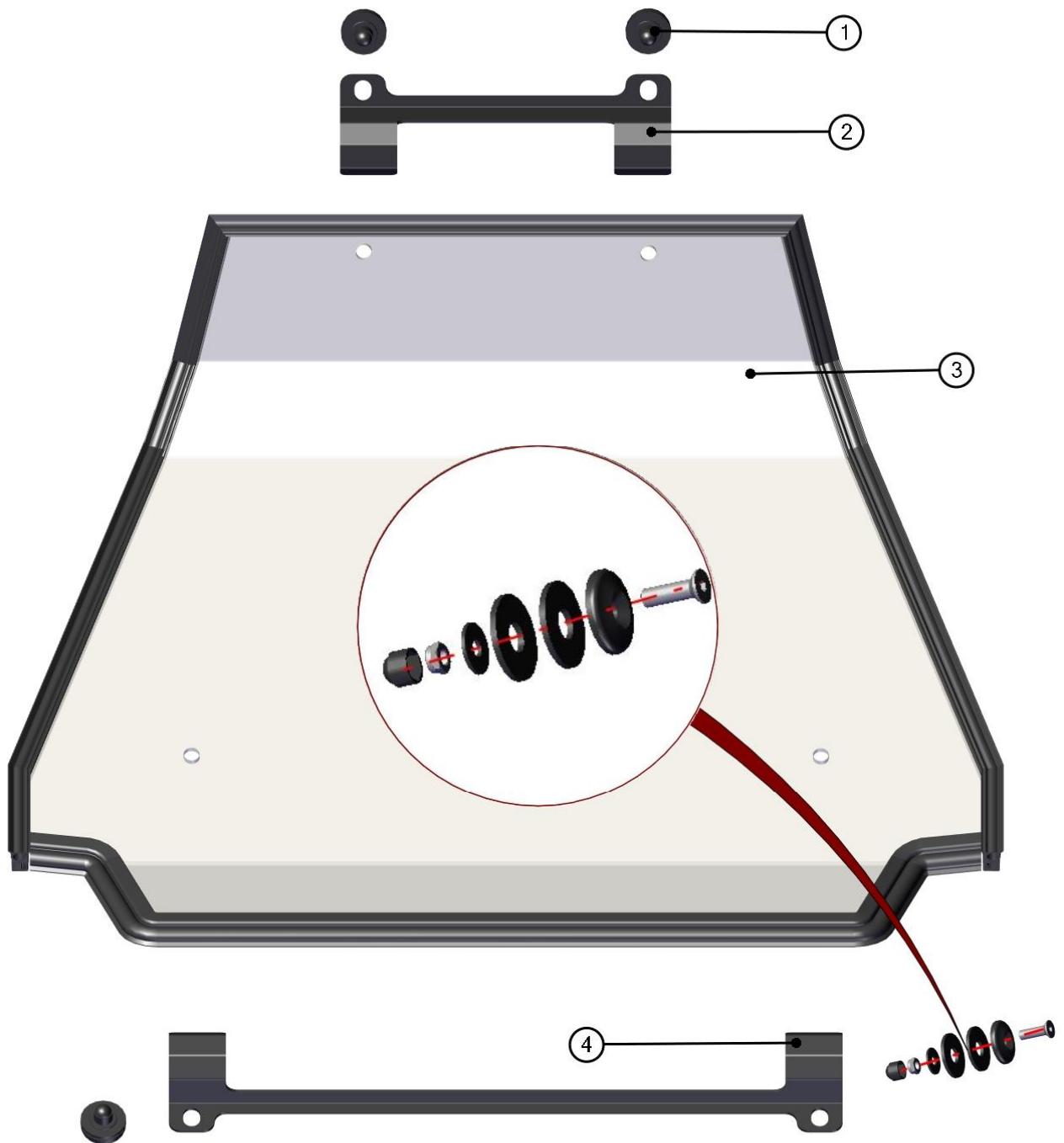
5

ID	Catalogue no.	Description	Qty
1	32S11U01-10M001	FRONT GLASS WITH SEALING	1
2	32S11U01-10M002	FRONT GLASS FIXING ASSEMBLY	4
3	001771^32S11U01-10M004	FRONT BOTTOM SEALING	1
4	32S11U01-10M005	FRONT BOTTOM LEDGE ASSEMBLY	1

REAR PANEL



6



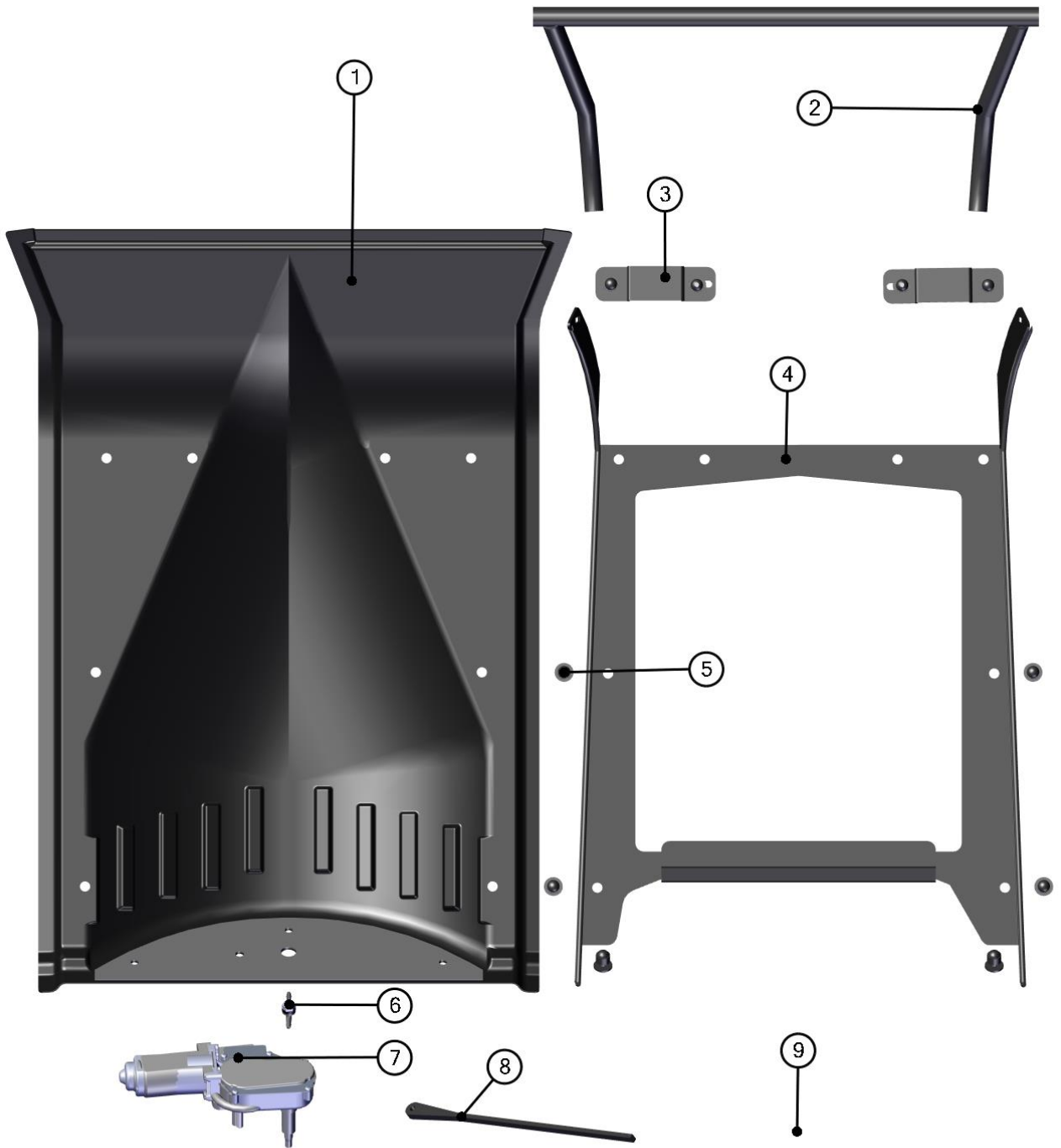
7

ID	Catalogue no.	Description	Qty
1	00-117U-M002	REAR GLASS FIXING ASSEMBLY	4
2	32S11U01-20M002	UPPER FIXING LEDGE	1
3	32S11U01-20M001	REAR WINDOW WITH SEALING	1
4	32S11U01-20M003	BOTTOM FIXING LEDGE	1

ROOF



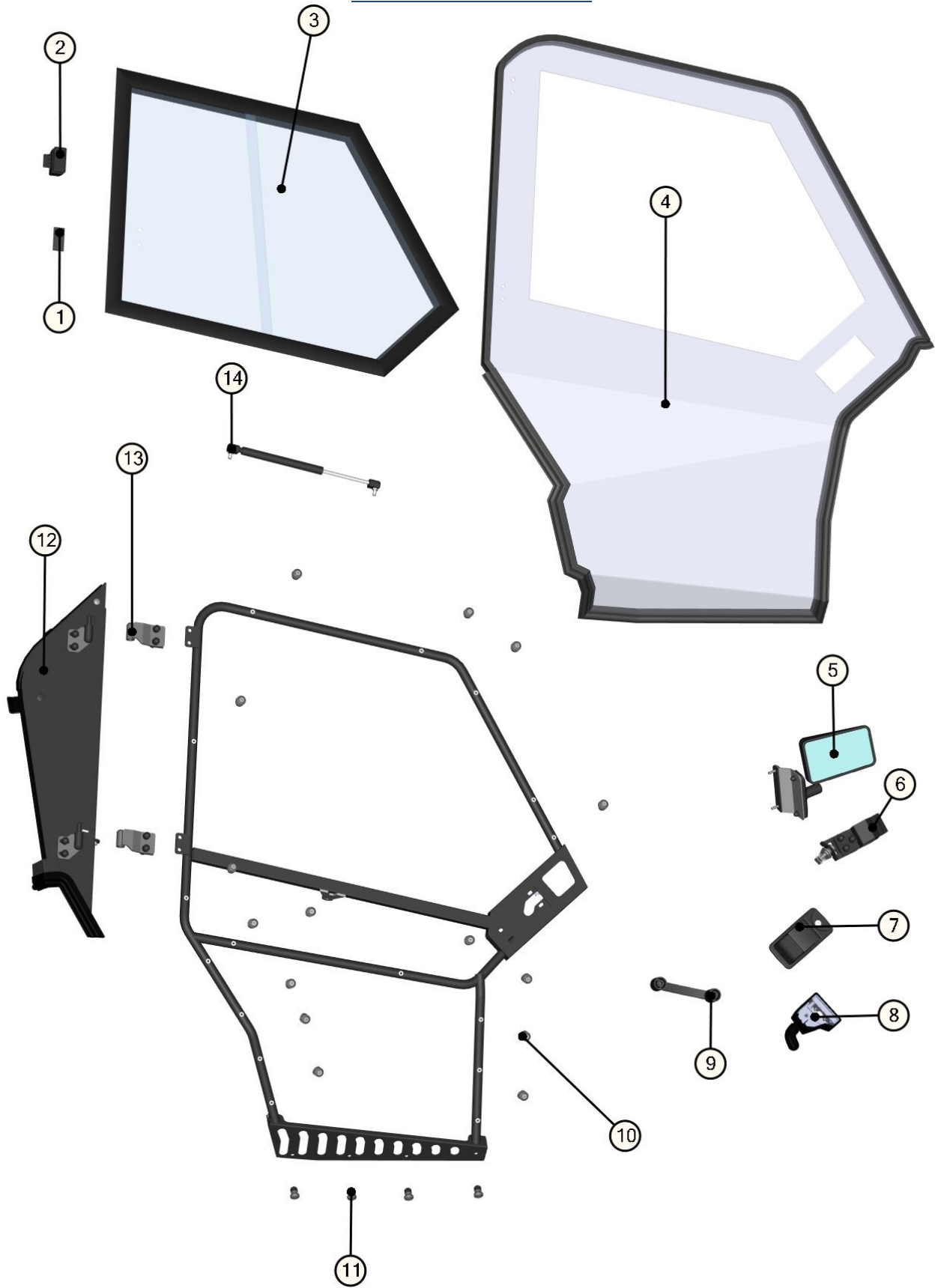




9

ID	Catalogue no.	Description	Qty
1	32S11U01-30M001	ROOF PANEL ASSEMBLY	1
2	001589^32S11U01-30M001	RUBBER PROFILE "APOLO"	1
3	32S11U01-30M002	ROOF HOLDER ASSEMBLY	2
4	32S11U01-30-002_01	ROOF FRAME	1
5	00-00M020	FIXING ASSEMBLY	6
6	001775	BUSHING WASHER HOSE	1
7	002764	WIPER MOTOR	1
8	001764	WIPER ARM	1
9	002544	WIPER LATH	1

LEFT DOOR + RIGHT DOOR



10

**LEFT TABLE**

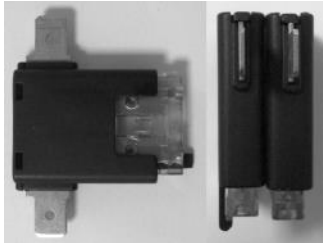



ID	Catalogue no.	Description	Qty
1	00-023E03	GLASS STOP	1
2	001700	GLASS LOCK	1
3	32S11U01-40M011	LEFT WINDOW ASSEMBLY	1
4	32S11U01-40M007	LEFT POLYCARBONATE ASSEMBLY	1
5	00-109U-M004	LEFT DOOR MIRROR	1
6	32S11U01-40M008	LEFT DOOR STOP ASSEMBLY	1
7	000841	OUTER DOOR LOCK	1
8	00-50M019	LEFT DOOR LOCK ASSEMBLY	1
9	00-40M018	DOOR HANDLE ASSEMBLY	1
10	00-00M019	POLYCARBONATE FIXING ASSEMBLY	15
11	00-00M006	BOTOM POLYCARBONATE FIXING ASSEMBLY	4
12	32S11U01-40M001	DOOR BASE ASSEMBLY	1
13	00-105U-M003	LEFT DOOR HINGE ASSEMBLY	2
14	000868	GAS SPRING	1



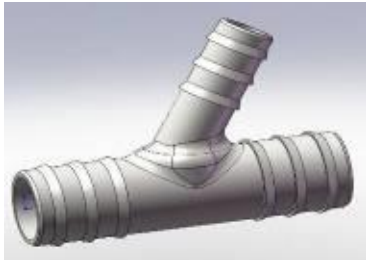
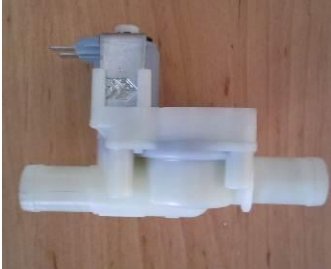




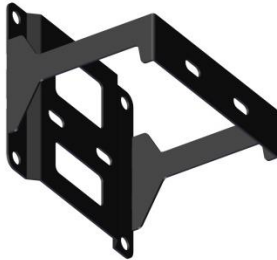
**RIGHT TABLE**





ID	Catalogue no.	Description	Qty
1	00-023E03	GLASS STOP	1
2	001700	GLASS LOCK	1
3	32S11U01-50M011	RIGHT WINDOW ASSEMBLY	1
4	32S11U01-50M007	RIGHT POLYCARBONATE ASSEMBLY	1
5	00-109U-M004	RIGHT DOOR MIRROR	1
6	32S11U01-50M008	RIGHT DOOR STOP ASSEMBLY	1
7	000841	OUTER DOOR LOCK	1
8	00-50M019	RIGHT DOOR LOCK ASSEMBLY	1
9	00-40M018	DOOR HANDLE ASSEMBLY	1
10	00-00M019	POLYCARBONATE FIXING ASSEMBLY	15
11	00-00M006	BOTTOM POLYCARBONATE FIXING ASSEMBLY	4
12	32S11U01-50M001	RIGHT DOOR BASE ASSEMBLY	1
13	00-105U-M003	RIGHT DOOR HINGE ASSEMBLY	2
14	000868	GAS SPRING	1

**ELECTROINSTALLATION**

Position	Catalogue no.	Description	Qty
1	004322	SWITCH WIPER /WASHER /OFF	1
2	000885	WASHER TANK	1
3	001576	WASHER MOTOR	1
4	002875	FUSE BOX	1
5	005042	WIPER MOTOR 12V	1
6	002018	GROMMET	1
7	32S11U01-02M004	HEATER HARNESS	1
8	32S11U01-01M002	WIPER HARNESS	1
9	32S11U01-03M002	WASHER HARNESS	1
10	002705	AL. TAPE	1
11	003536	"Y" COUPLING 14-18-14	1
12	002502	"Y" COUPLING 25-25-16	1
13	002386	EL. VALVE	1
14	001367	TIGHTENING STRAP 12-22	8
15	001368	TIGHTENING STRAP 40-60	6
16	002863	AIR VENT	2
17	002702	HEATER SWITCH	1
18	32S11U01-02M002	HEATER HOLDER ASSEMBLY	1
19	002391	EL. VALVE SWITCH	1
20	000896	HEATER HOSES	1
21	002795	HOT AIR HOSES	1
22	004307	HEATER	1

		
<p><b>Position : 1</b></p> <p><b>Catalogue no.: 004322</b></p>	<p><b>Position : 2</b></p> <p><b>Catalogue no.: 000885</b></p>	<p><b>Position : 3</b></p> <p><b>Catalogue no.: 001576</b></p>
		
<p><b>Position : 4</b></p> <p><b>Catalogue no.: 002875</b></p>	<p><b>Position : 5</b></p> <p><b>Catalogue no.: 005042</b></p>	<p><b>Position : 6</b></p> <p><b>Catalogue no.: 002018</b></p>
		
<p><b>Position : 7</b></p> <p><b>Catalogue no.: 32S11U01-02M004</b></p>	<p><b>Position : 8</b></p> <p><b>Catalogue no.: 32S11U01-01M002</b></p>	<p><b>Position : 9</b></p> <p><b>Catalogue no.: 32S11U01-03M002</b></p>

		
<p><b>Position : 10</b></p>	<p><b>Position : 11</b></p>	<p><b>Position : 12</b></p>
<p><b>Catalogue no.: 002705</b></p>	<p><b>Catalogue no.: 003536</b></p>	<p><b>Catalogue no.: 002502</b></p>
		
<p><b>Position : 13</b></p>	<p><b>Position : 14</b></p>	<p><b>Position : 15</b></p>
<p><b>Catalogue no.: 002386</b></p>	<p><b>Catalogue no.: 001367</b></p>	<p><b>Catalogue no.: 001368</b></p>
		
<p><b>Position : 16</b></p>	<p><b>Position : 17</b></p>	<p><b>Position : 18</b></p>
<p><b>Catalogue no.: 002863</b></p>	<p><b>Catalogue no.: 002702</b></p>	<p><b>Catalogue no.: 32S11U01-02M002</b></p>

		
<p><b>Position : 19</b> <b>Catalogue no.: 002391</b></p>	<p><b>Position : 20</b> <b>Catalogue no.: 000896</b></p>	<p><b>Position : 21</b> <b>Catalogue no.: 002795</b></p>
		
<p><b>Position : 22</b> <b>Catalogue no.: 004307</b></p>	<p><b>Position : 23</b> <b>Catalogue no.:</b></p>	<p><b>Position :24</b> <b>Catalogue no.:</b></p>