

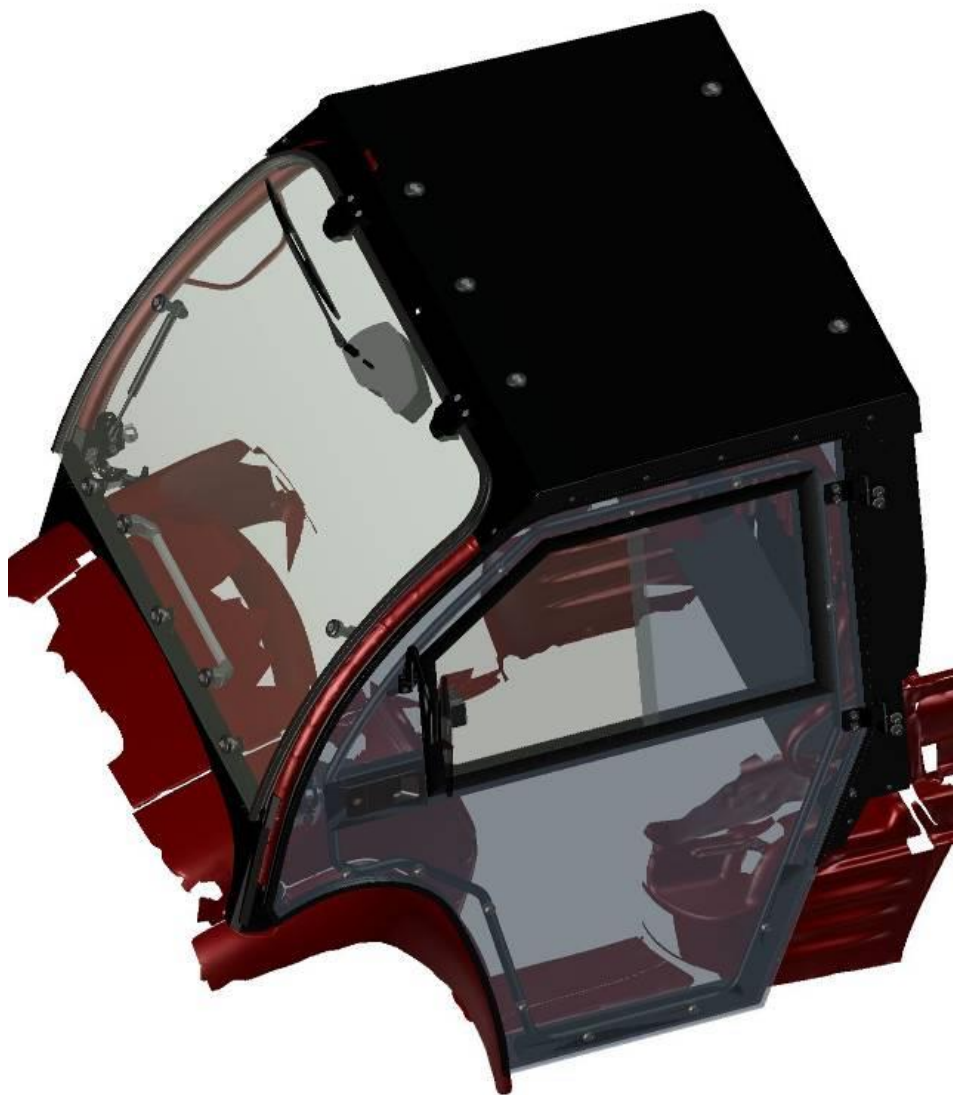
# HardCabs

A DFK AMERICA COMPANY

INSTALLATION INSTRUCTIONS

**KAWASAKI**

**MULE 610**



## **SAFETY INSTRUCTIONS**

***Warning: Failure to heed all safety and operating instructions and warnings regarding use of this product can result in serious bodily injury.***

### ***READ PROPERLY COMPLETE ASSEMBLY INSTRUCTIONS BEFORE STARTING OF ASSEMBLY***

***Install all parts indicated in assembly instructions. Failure to fully assemble product before use could result in personal injury.***

***Assembly of product requires use of hand or power tools. If you are not experienced in using these types of tools, have product dealer do the install for you.***

***Some parts contain sharp edges, wear protective gloves if necessary.***

***Always keep your assembly area clean, uncluttered and well lit.***

***Keep visitors and children a safe distance away from the assembly area. Visitors should wear the same safety equipment described under.***

***Never operate your UTV with the cab doors open. Failure to properly latch the doors before moving the vehicle could result in serious injury.***

***Dress for safety. DO NOT wear loose clothing, gloves, neckties or jewelry if using power tools to assemble this product.***

***Insert all nut covers after you finish installation.***

***Never drive your UTV with the cab front window in open position. Failure to properly latch/lock front window before driving the vehicle could result in serious injury.***

***For safety purposes, if the DFK Cab doors are removed, it is mandatory that the OEM Half Doors or Nets are REINSTALLED before operating vehicle.***

## **MAINTENANCE AND CLEANING**

***To clean polycarbonate surface use soapy water solution or other subtle means.***

***Dirt and dust wash by gently water stream and swipe only with wet or damp means in the direction from top to bottom.***

***The recommended frequency of cleaning of polycarbonate part is about 1 time per month or according to the actual degree of pollution.***

***Do not use detergents that could scratch the surface plates.  
(abrasives, harsh fabrics, etc.)***

***Do not use solvents or alkaline detergents or cleaners with ammonia  
(ammonium hydroxide).***

***Do not remove the impurities from the surface of the razor blades or other sharp items.***

***Do not clean cabin when the polycarbonate plates are heated by the sun.***

***Do not use the squeegee, it could be scratched surface plates.***

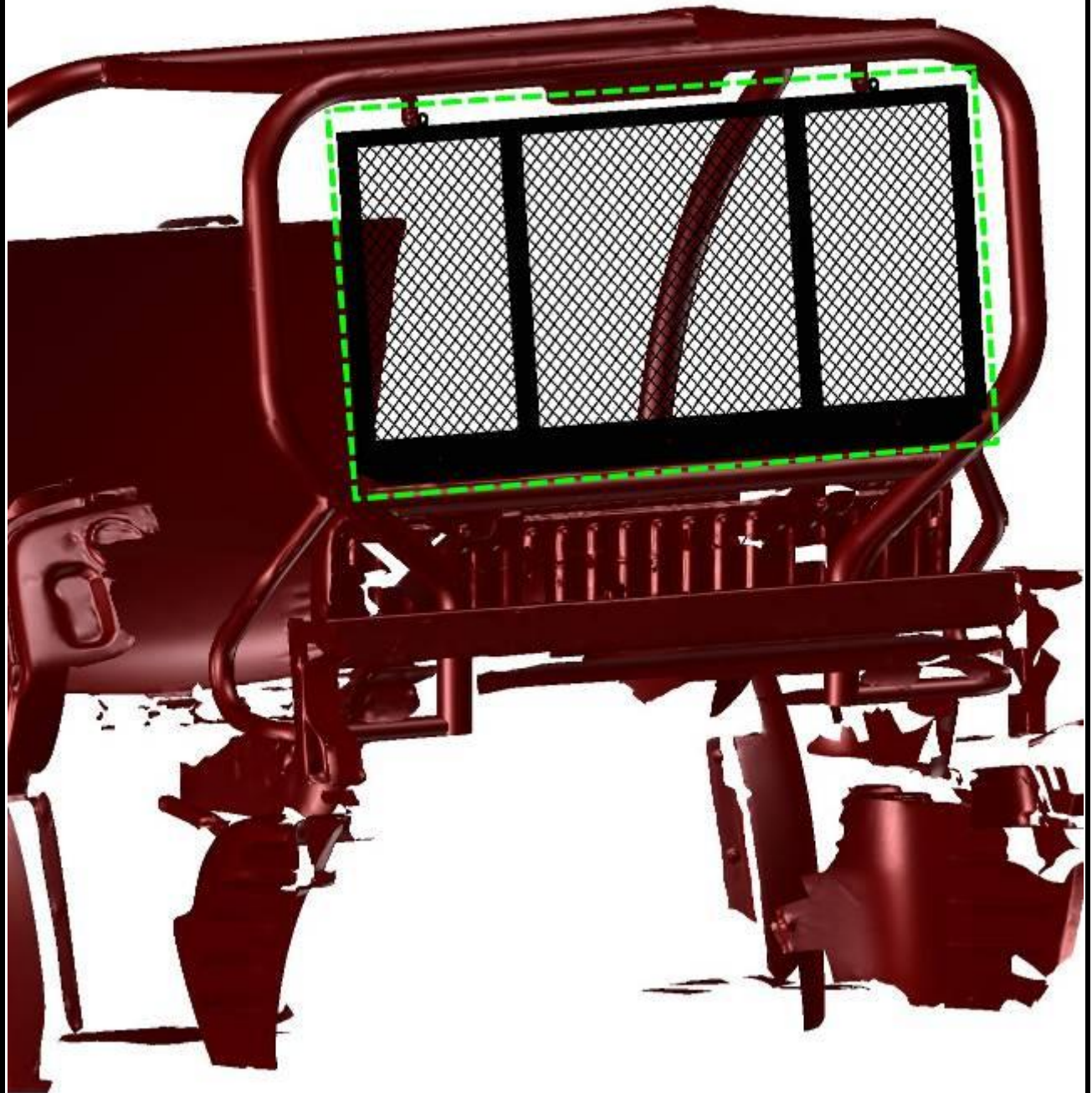
***Do not clean the water current strength greater than 50 bar (WAP)***

***The manufacturer is not responsible for scratching the surface in case of failure to comply with the above instructions.***

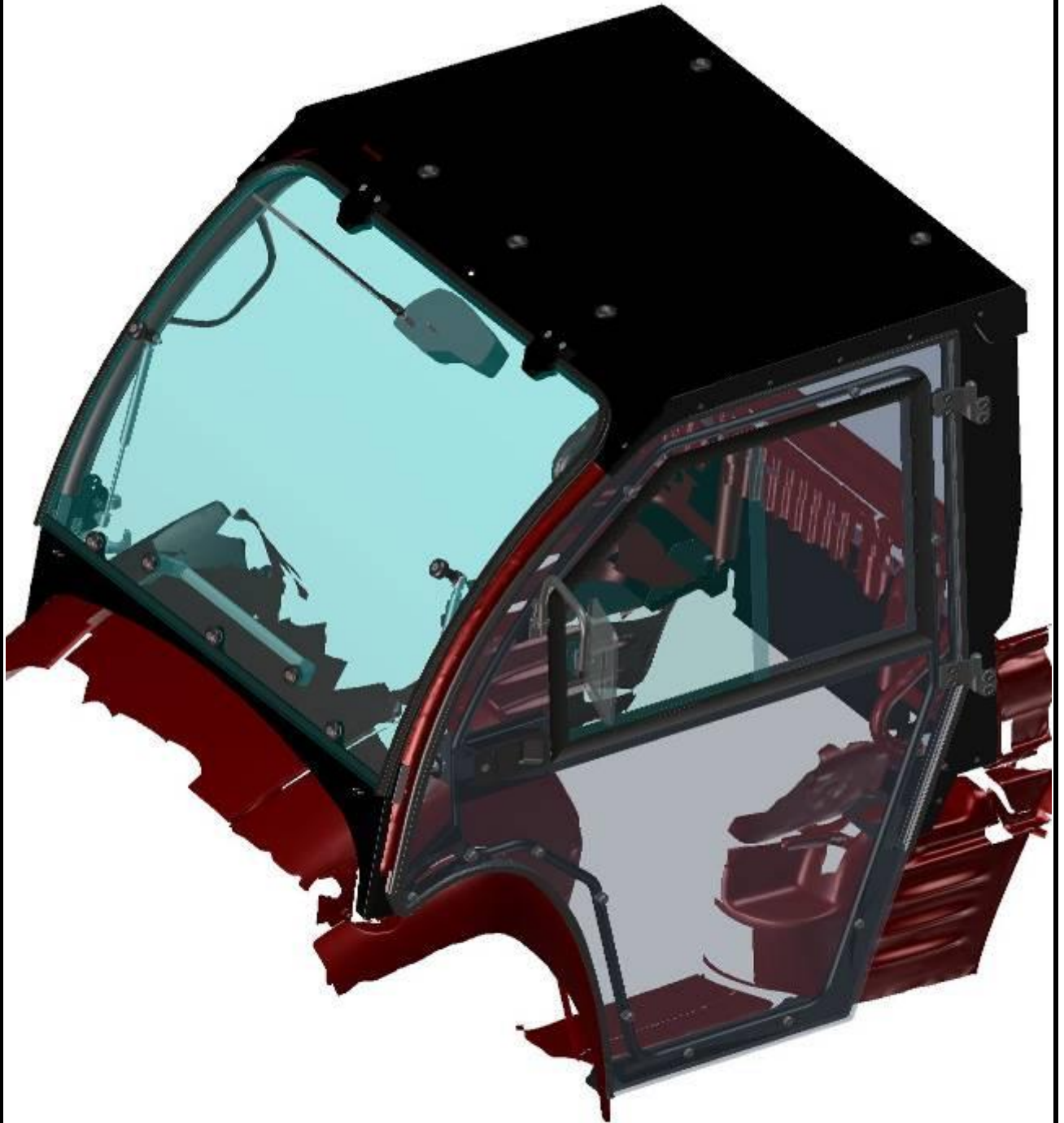
***All bolted connections of cab must be by user at regular intervals checked and tightened.***

**PREPARATION FOR INSTALLATION:**

Uninstall all additional systems from the forklift frame (work lights, rear mirrors, drink holders etc.)  
Uninstall the rear safety network (in green rectangle) from the roller cage.



CAB PREVIEW



5

ROOF PANEL 1.

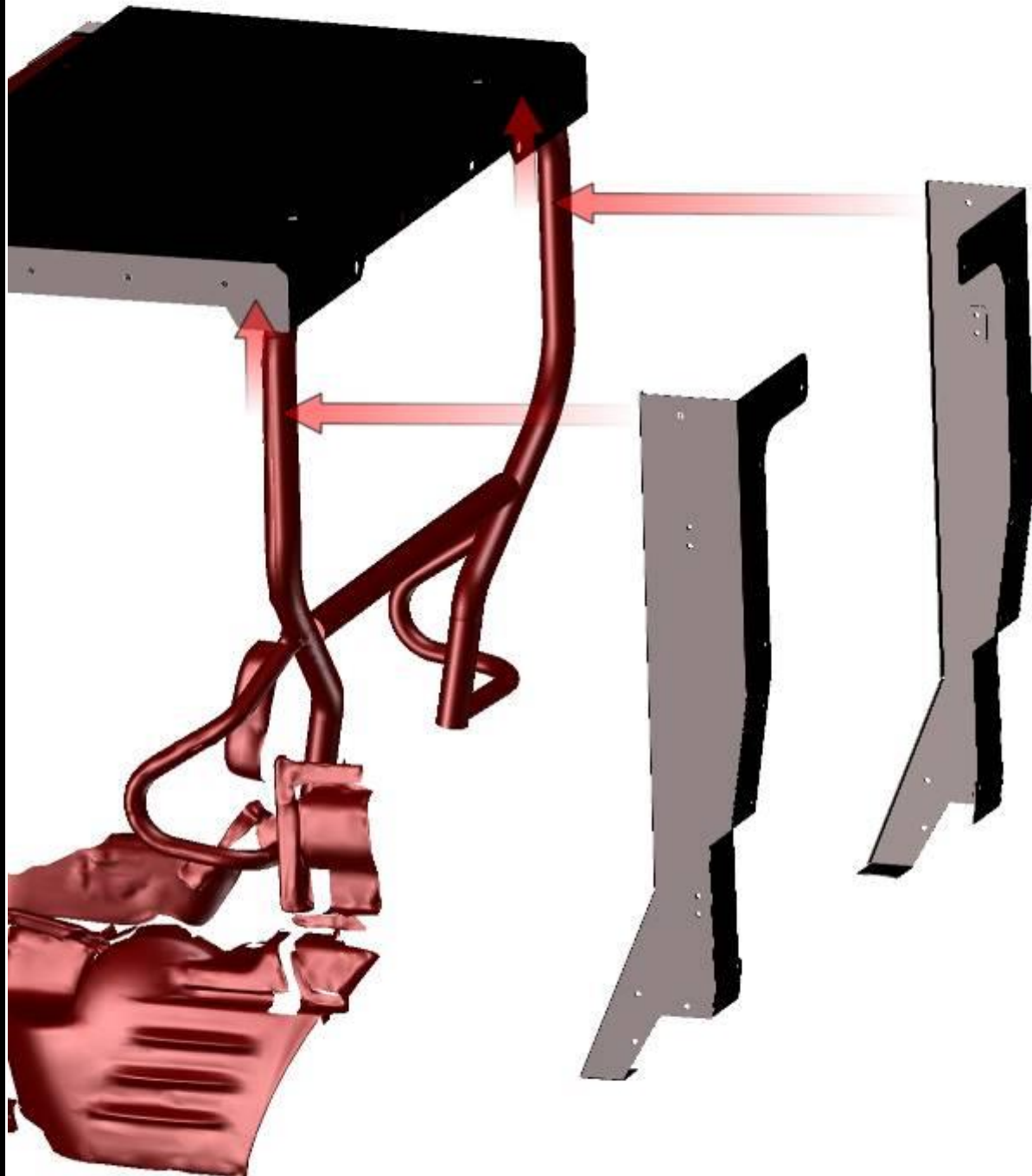
Place the roof onto the UTV's roller cage and adjust to correct position. Don't fit that now!



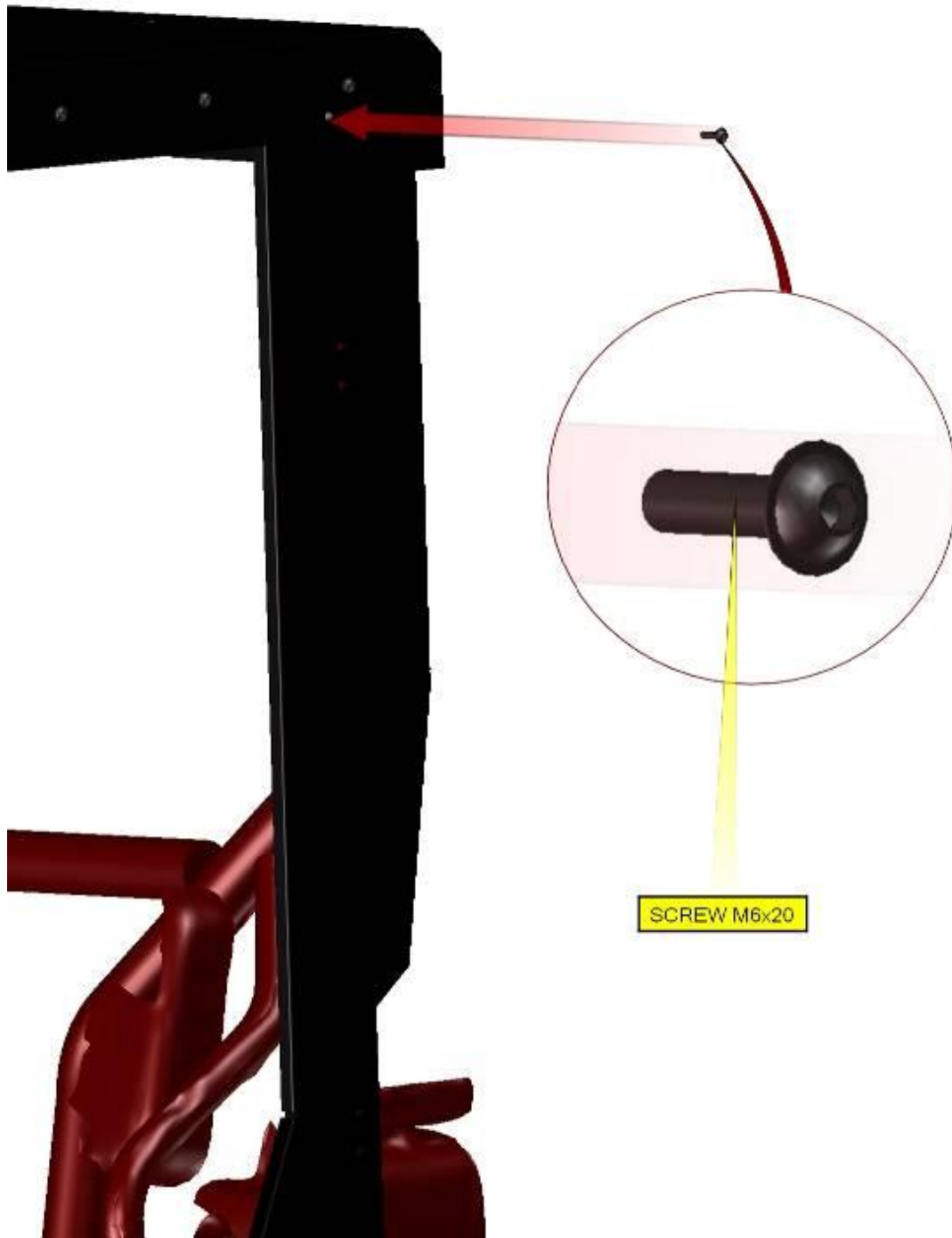
6

REAR PANEL

Place the door bases onto the roller cage and insert under the roof.



Fix the door bases with the roof by screws on both sides.

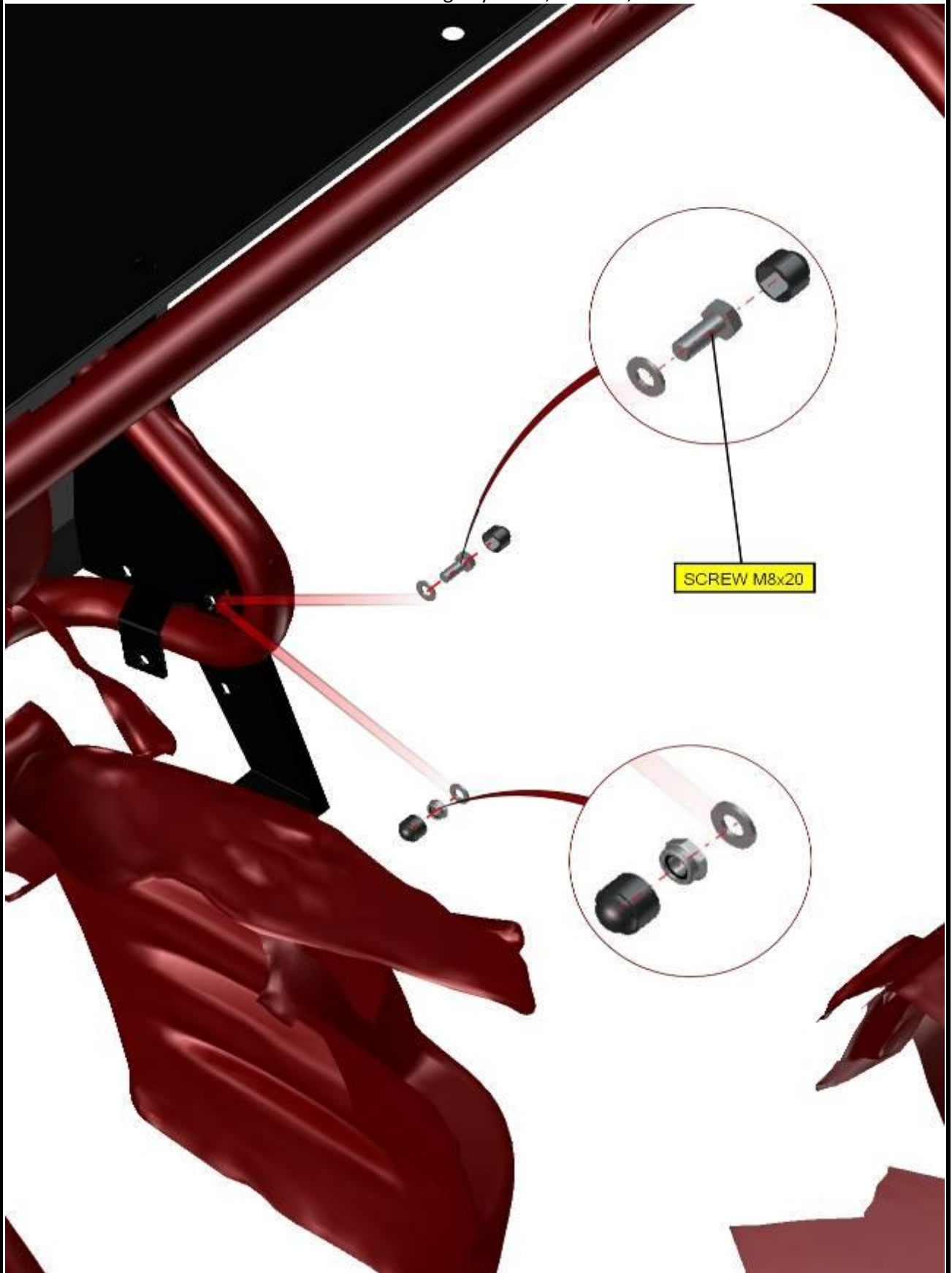




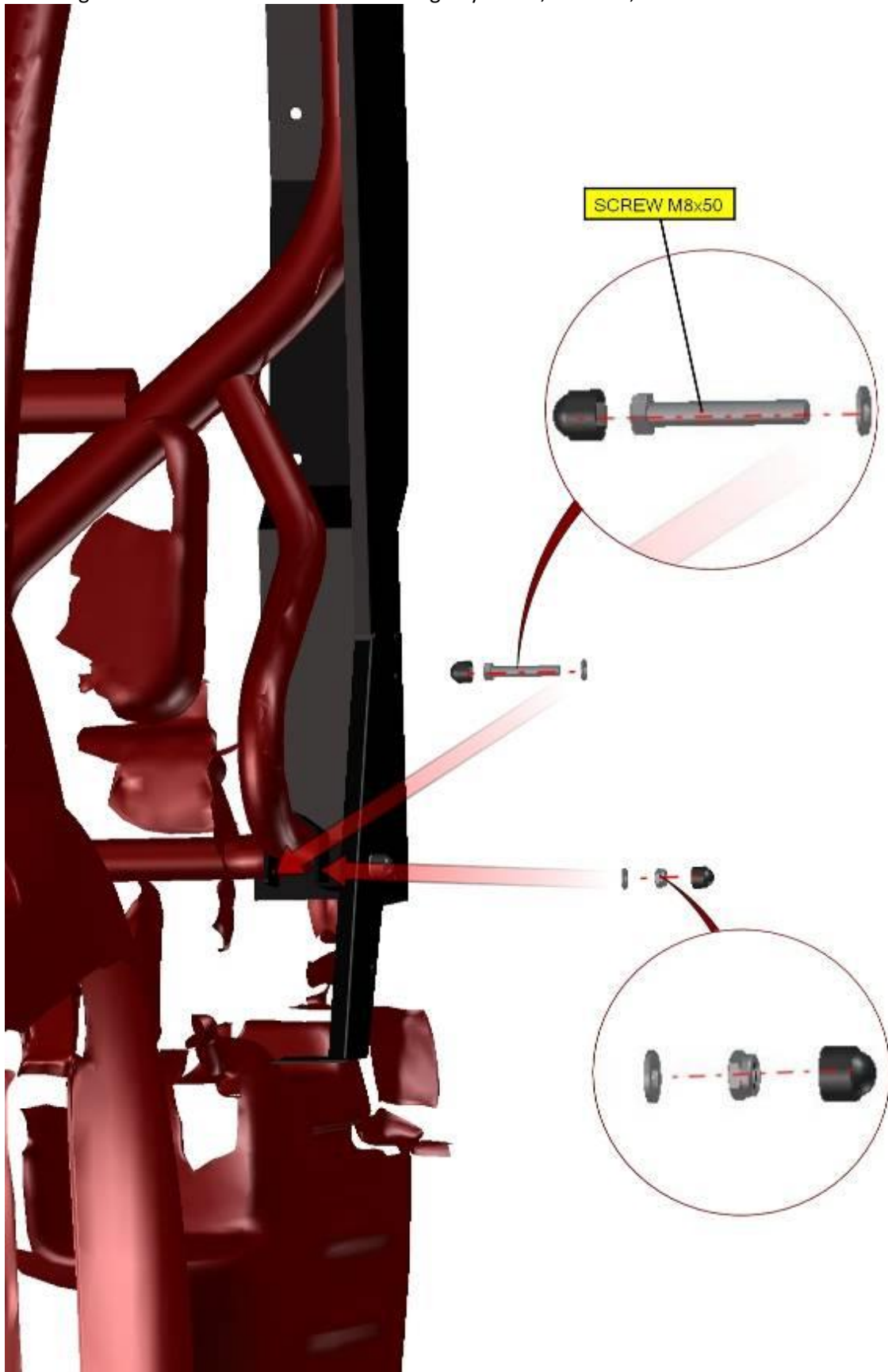
Place the bottom side door base holder onto the roller cage on both sides.



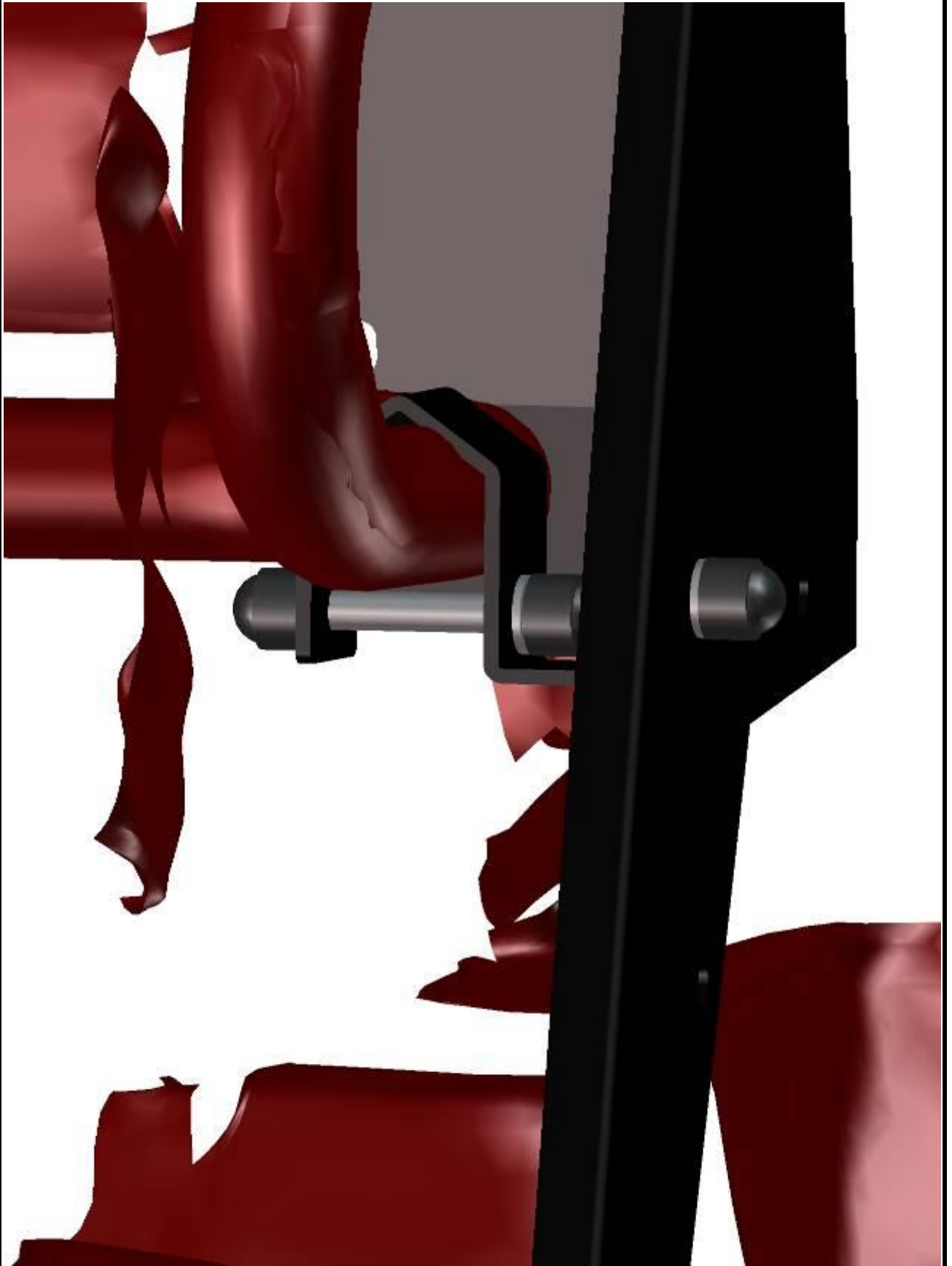
Fix the holder with the door base to the roller cage by screw, washers, nut and nut covers on both sides.



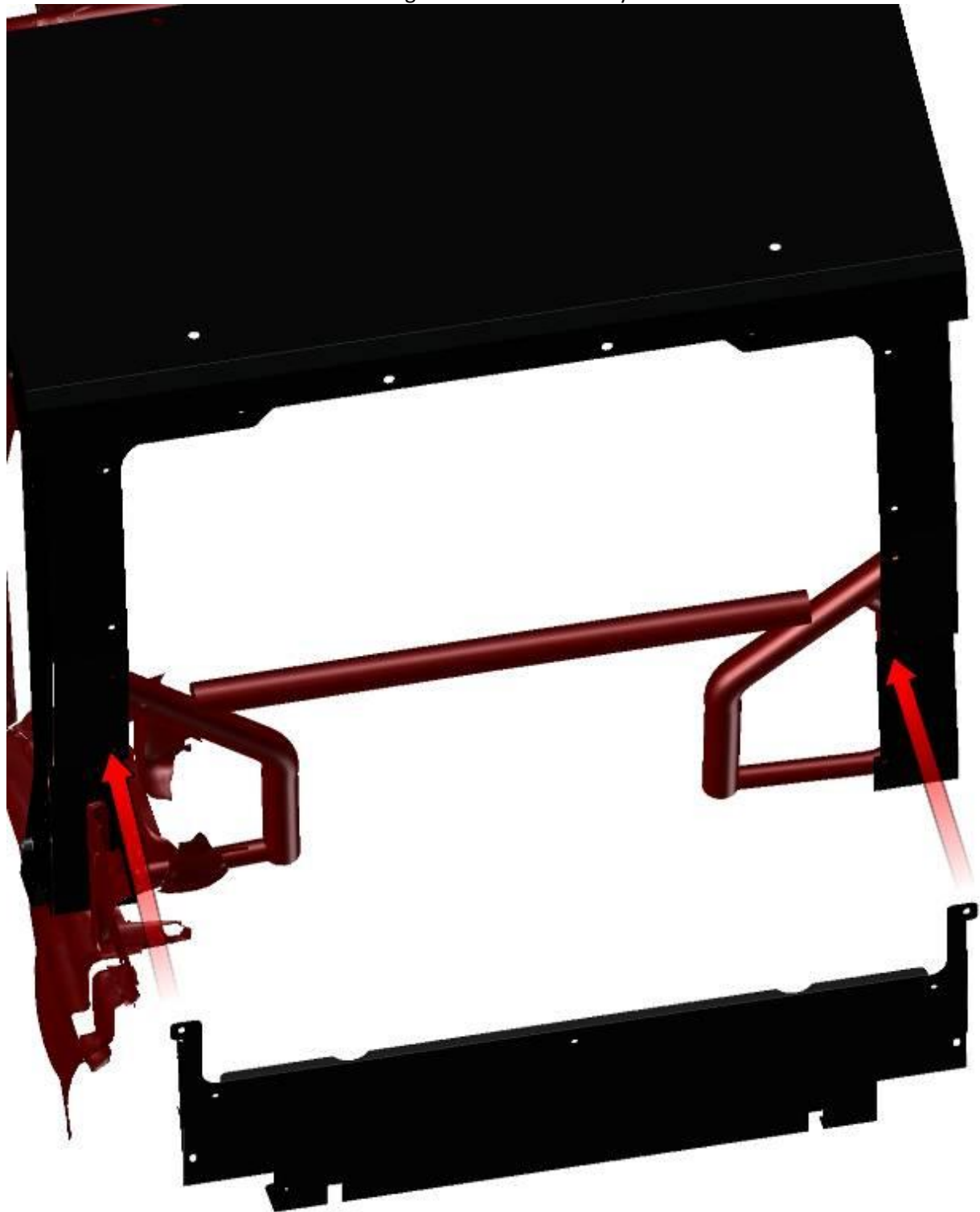
Tighten the holder around the roller cage by screw, washers, nut and nut covers on both sides.



Detail view

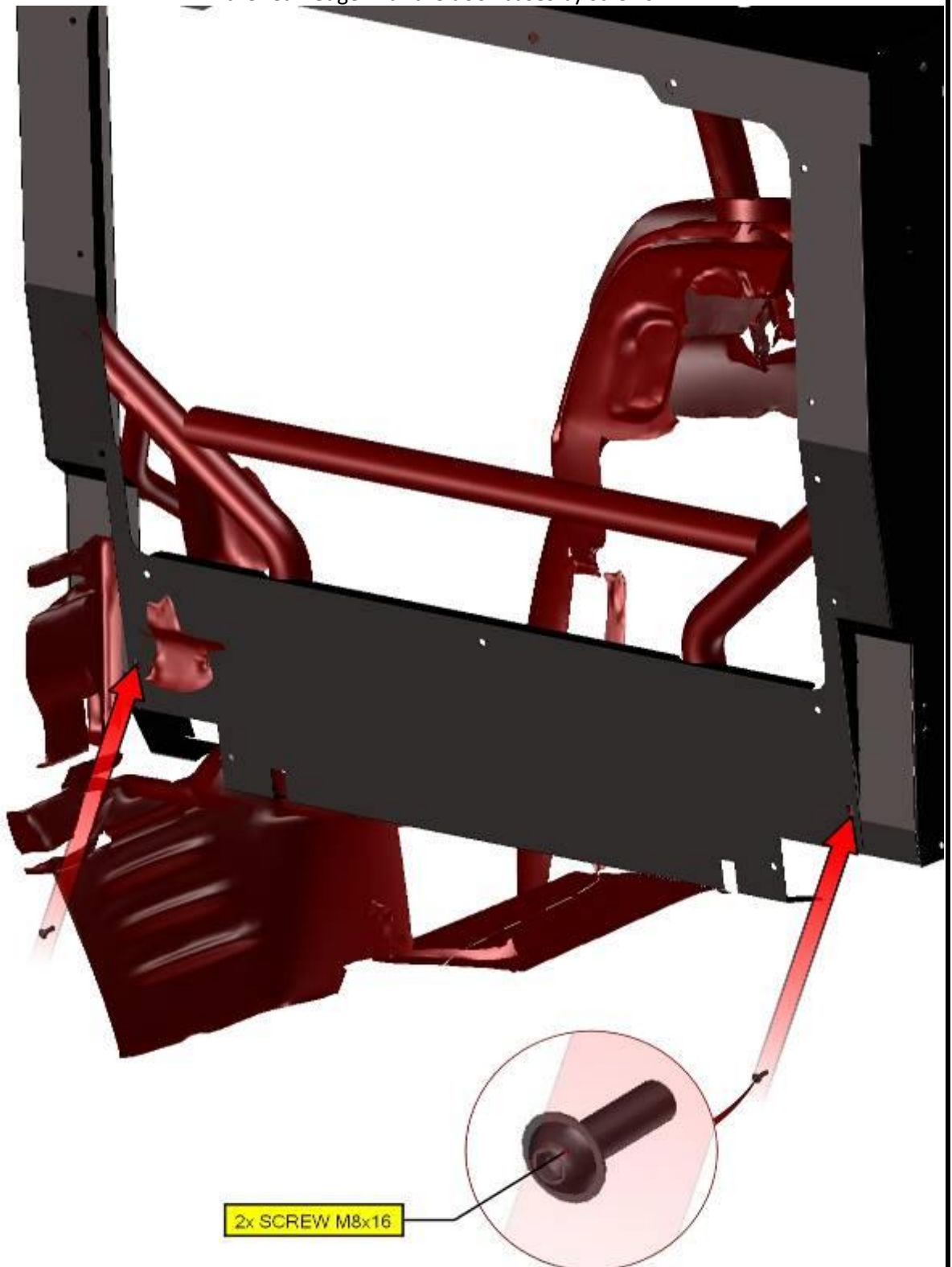


Place the rear bottom ledge onto the UTV's body and onto the door bases.

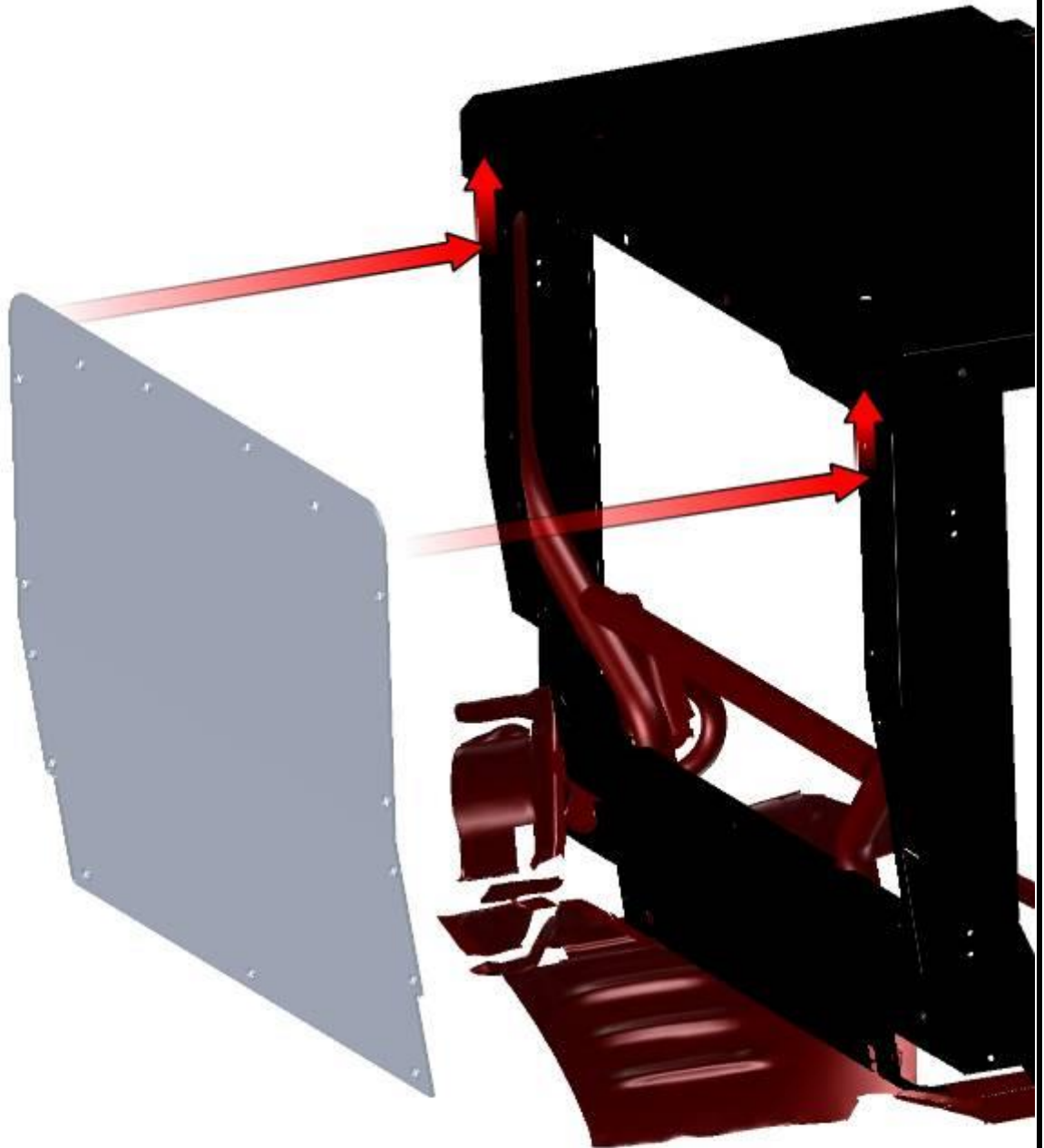


13

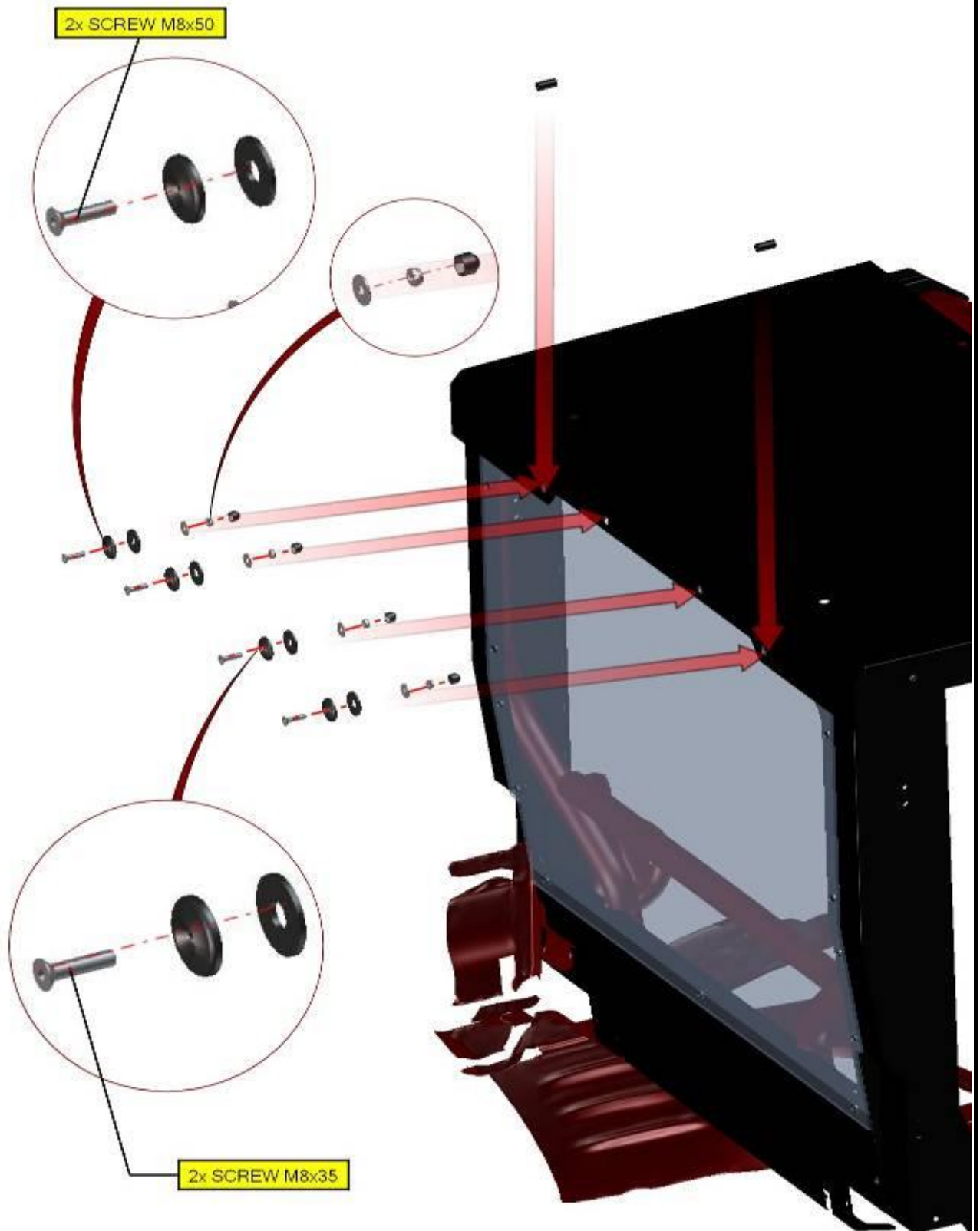
Fix the rear ledge with the door bases by screws.



Take out the safeguard films from rear polycarbonate window.  
Place the window onto the door base's seals and insert the window under the roof.



Place the metal tubes between the door bases and the rear safety network holders.  
Fix the roof with the window and with the door bases by screws, washers, nuts and nut covers.

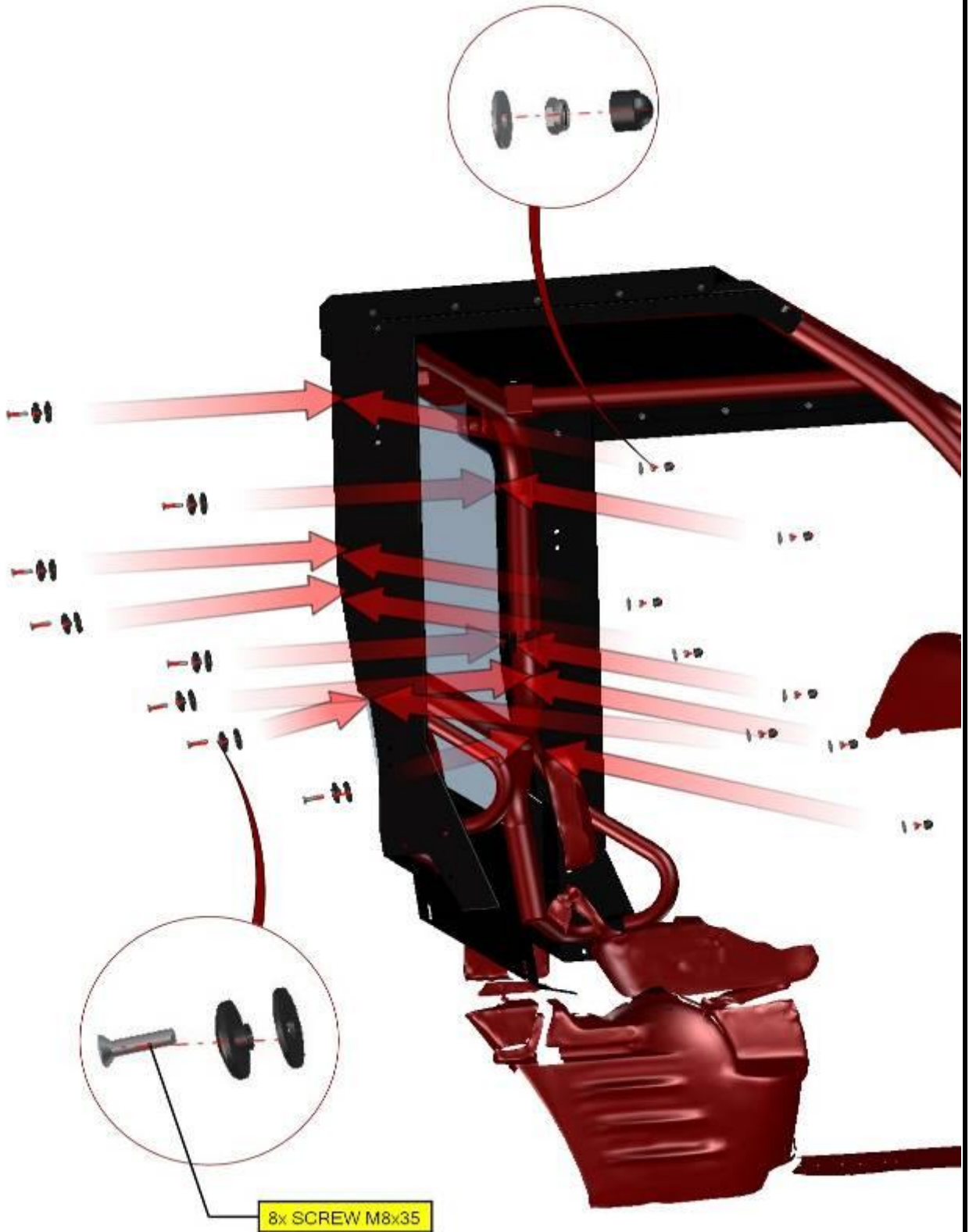




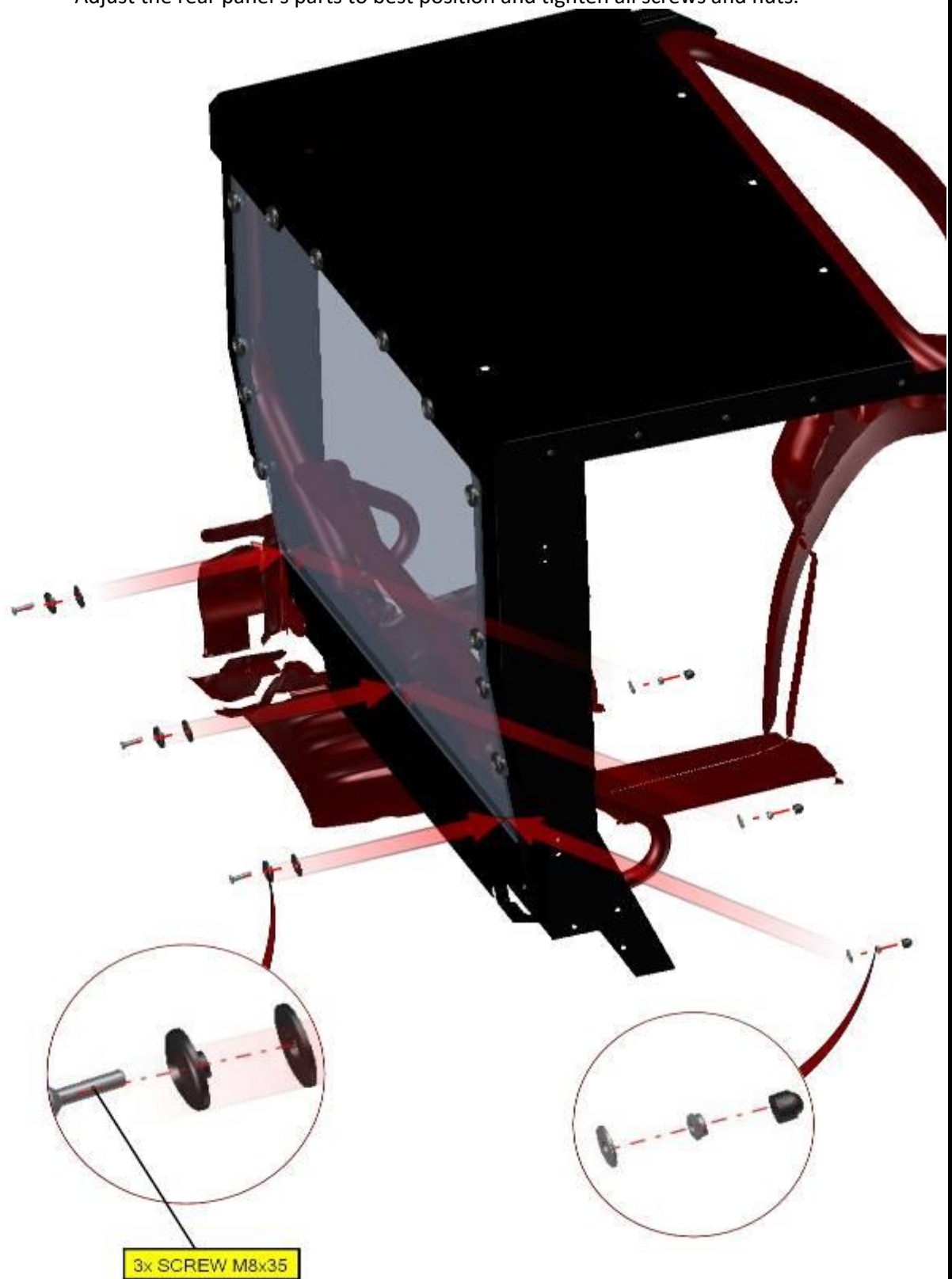
Place the door base upper holders onto the roller cage on correct position.



Fix the door bases with the holder and with the window by screws, washers, nuts and nut covers.



Fix the rear bottom ledge with the window by screws, washers, nuts and nut covers.  
Adjust the rear panel's parts to best position and tighten all screws and nuts.

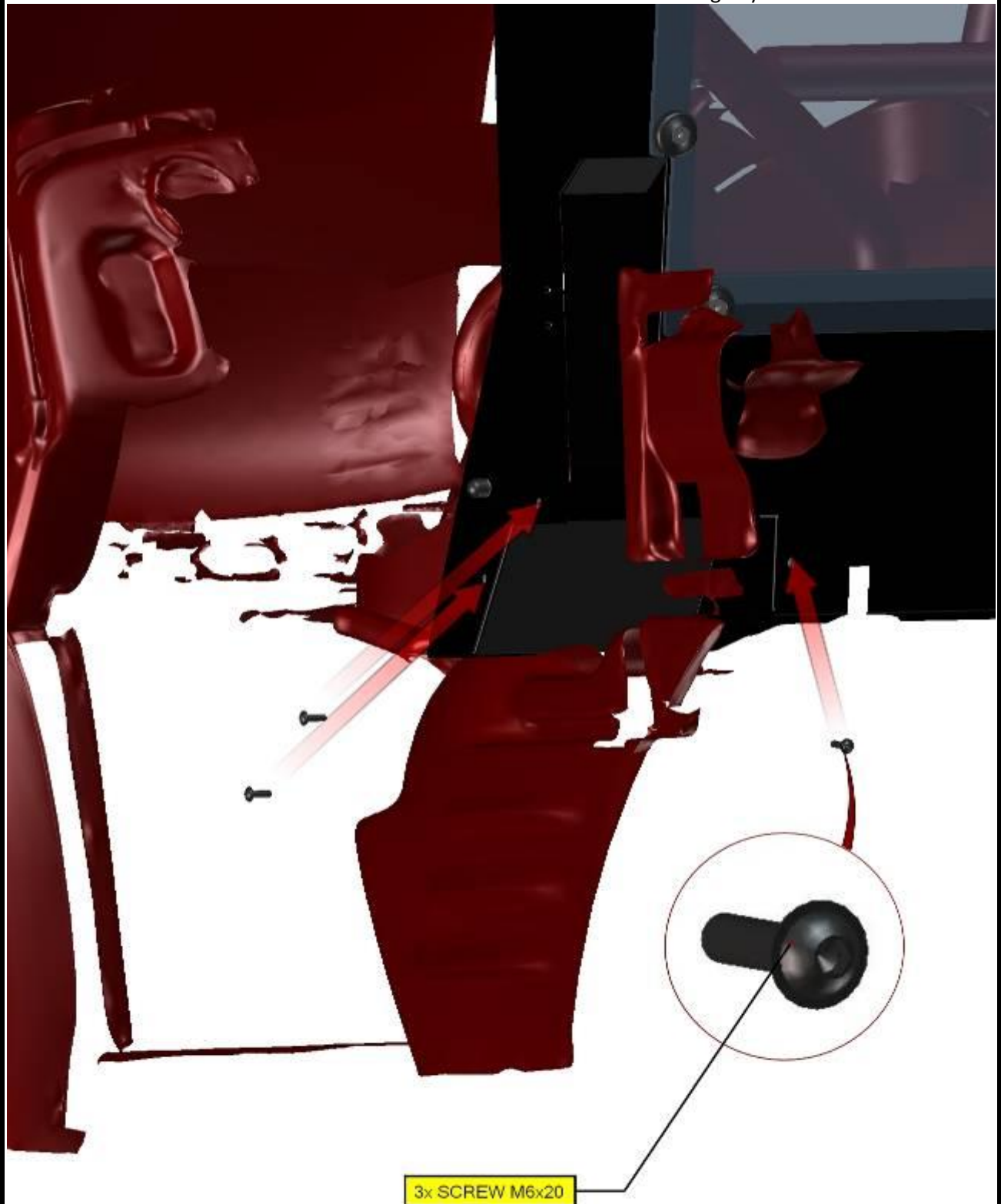


Place the bottom side rear covers onto the door base and onto the rear bottom ledge on both sides.



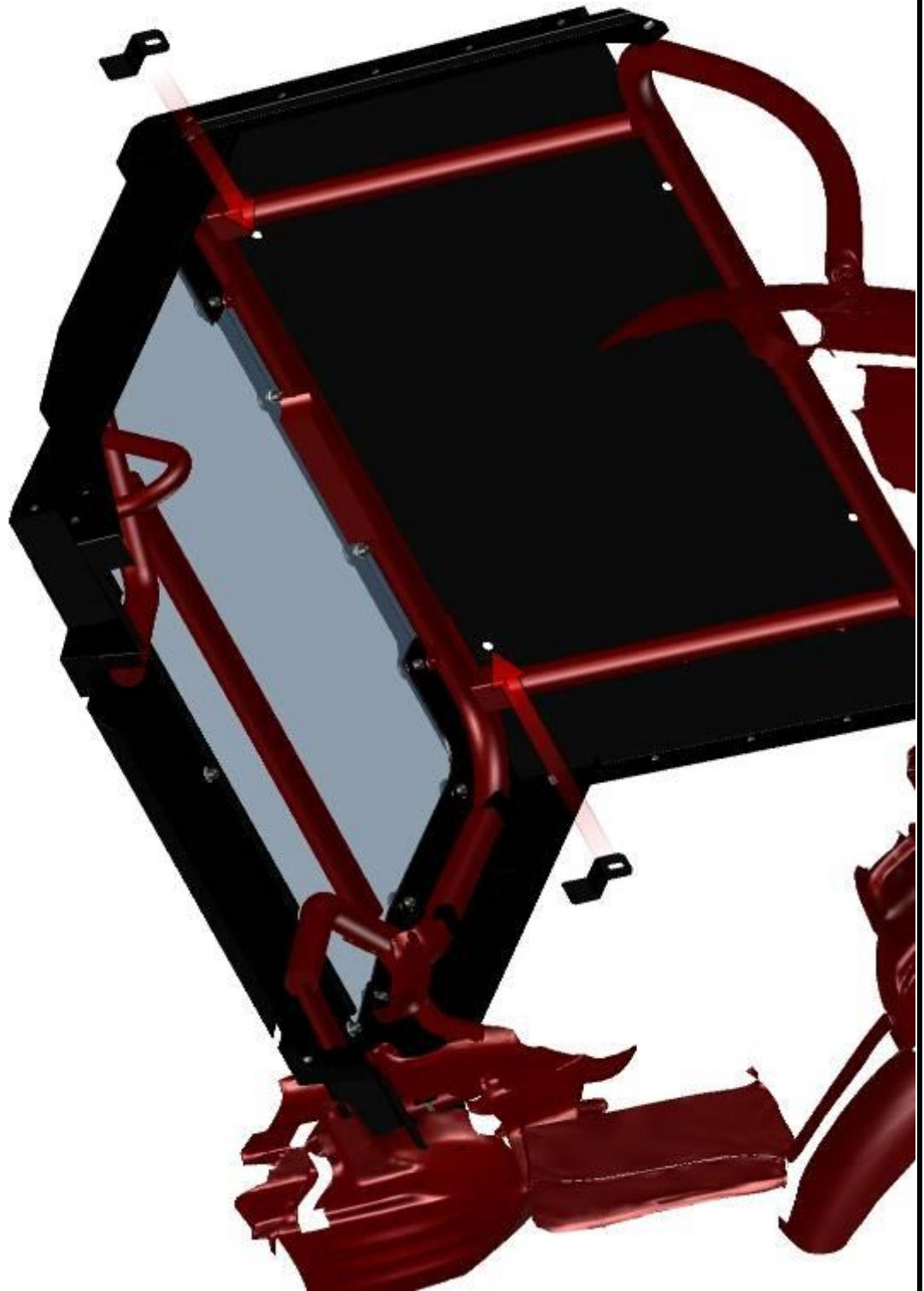
20

Fix the covers with the door bases and with the bottom ledge by screws.

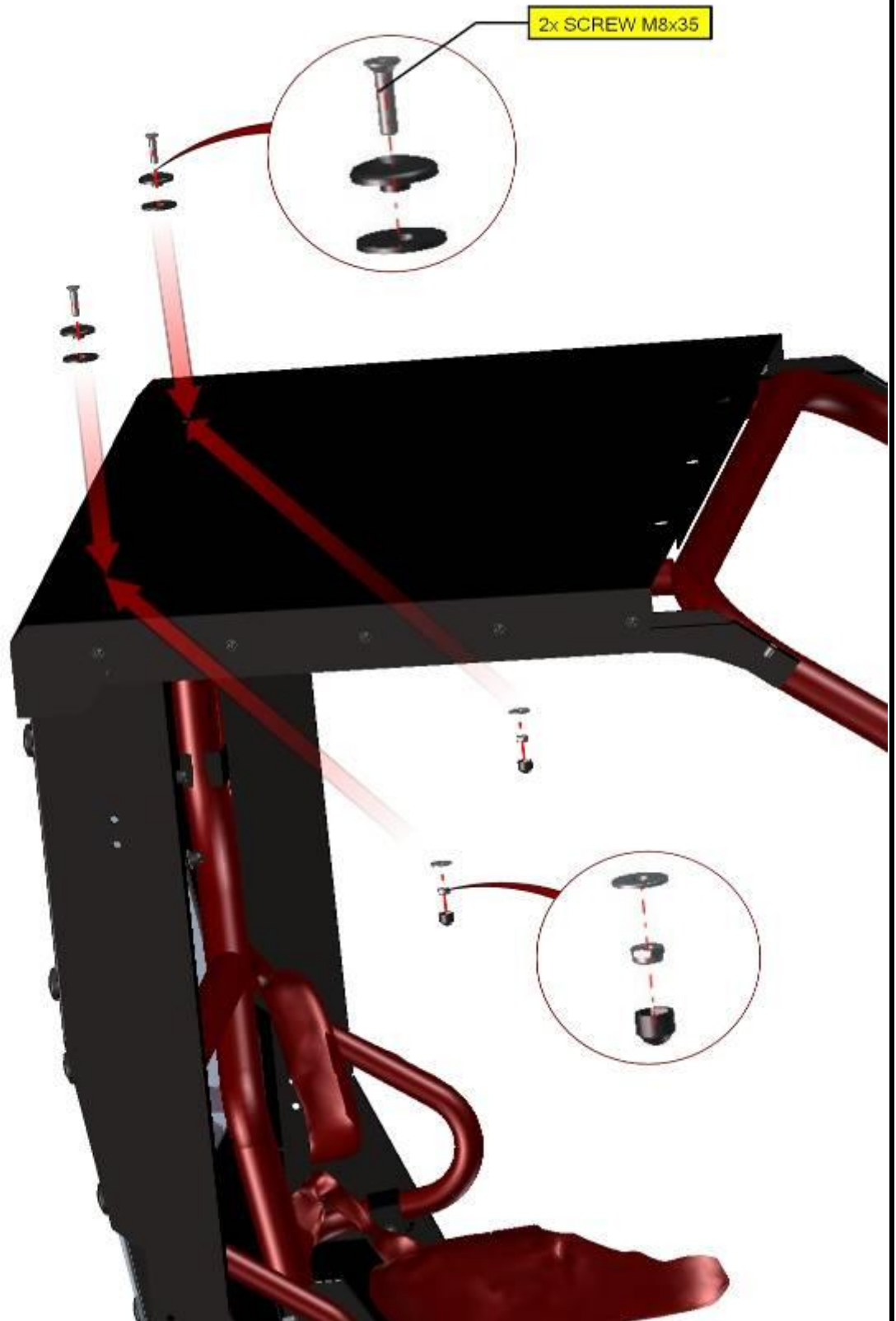


ROOF PANEL 2.

Place the rear roof holders onto the roller cage on correct position.

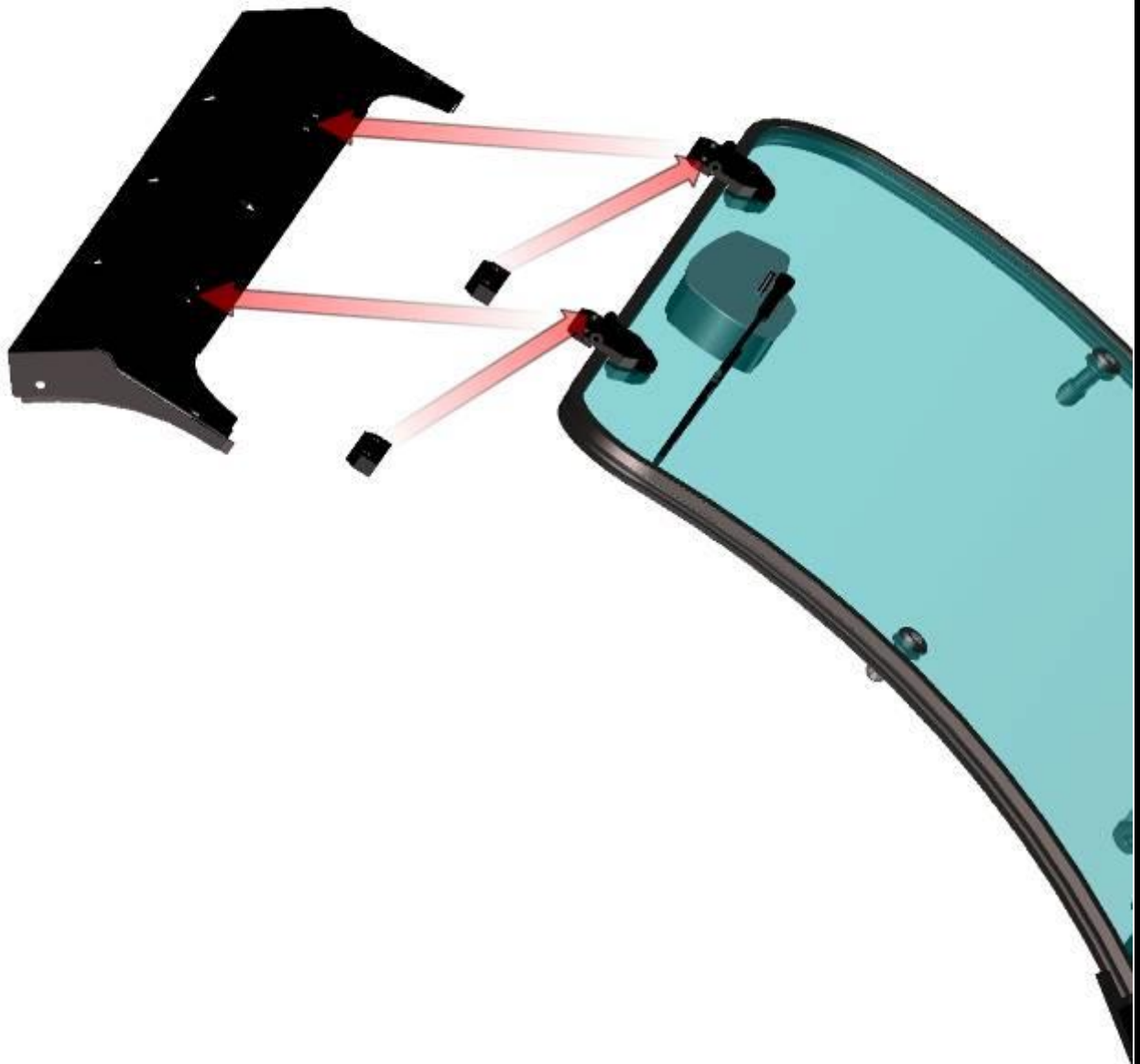


Fix the roof with the roof holders to roller cage by screws, washers, nuts and nut covers.



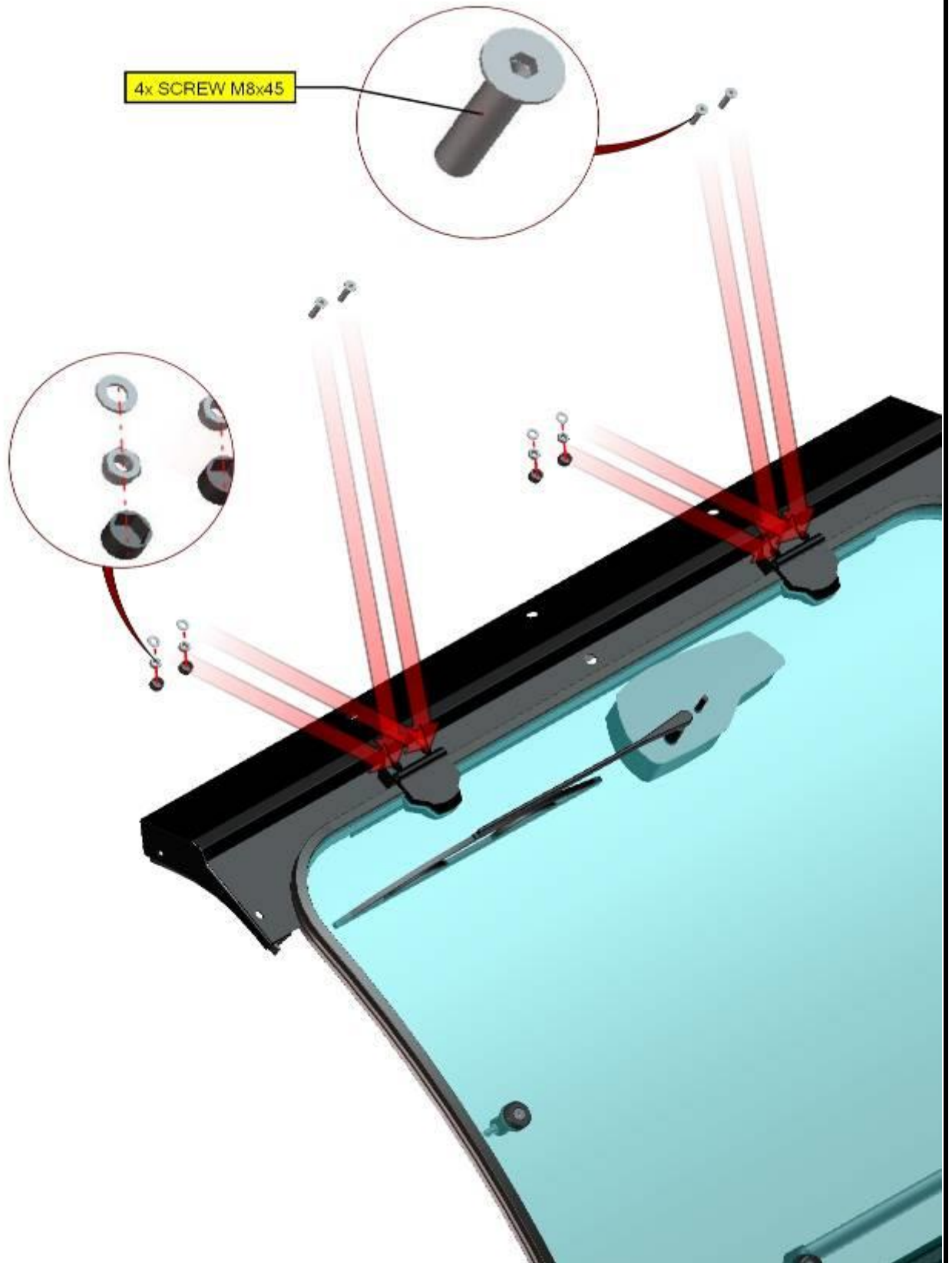
**FRONT PANEL 1.**

Place the hinge's washers onto the hinges and place the hinges onto the front upper ledge.





Fix the hinges with the ledge by screws, washers, nuts and nut covers.

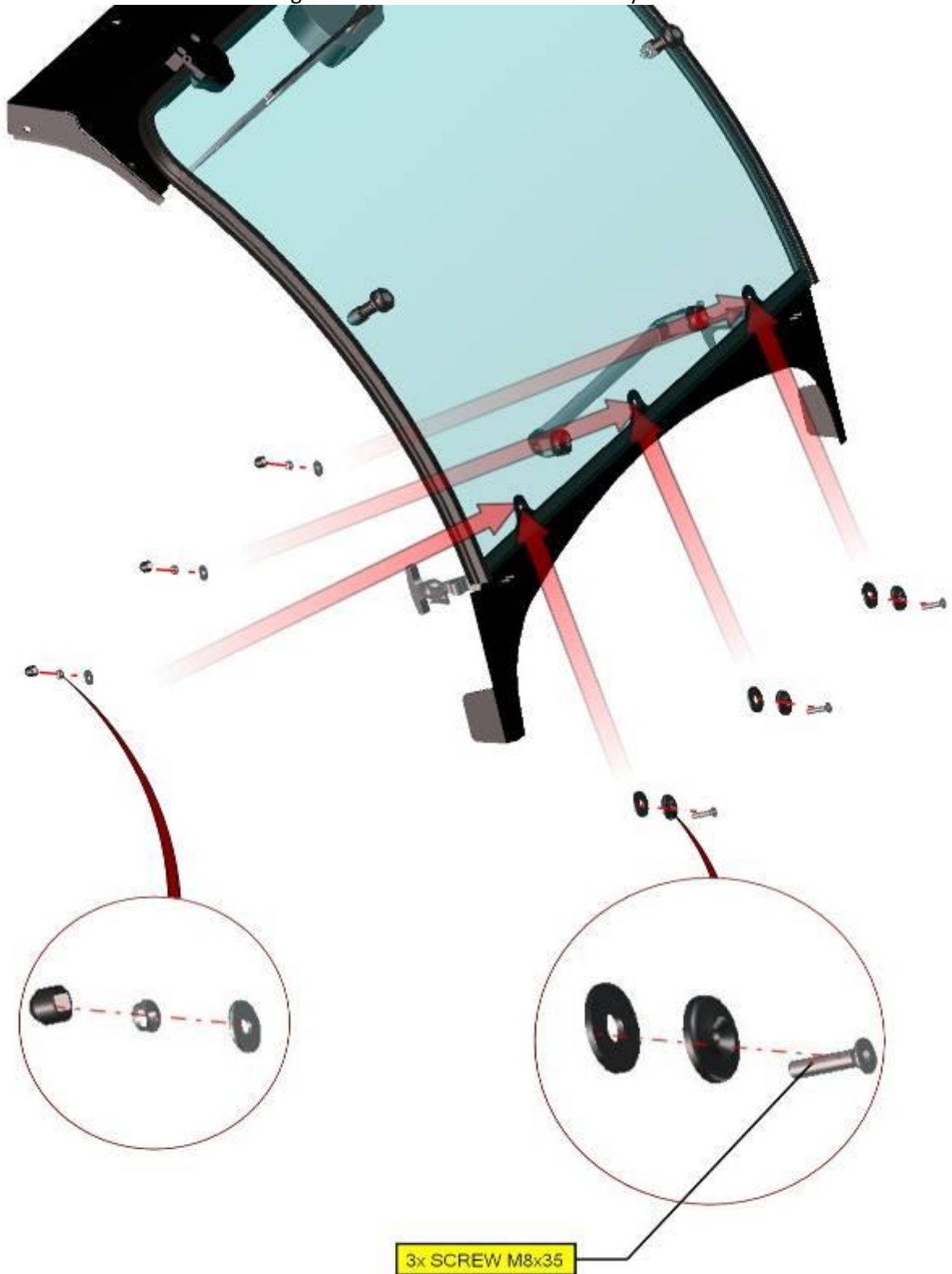


25

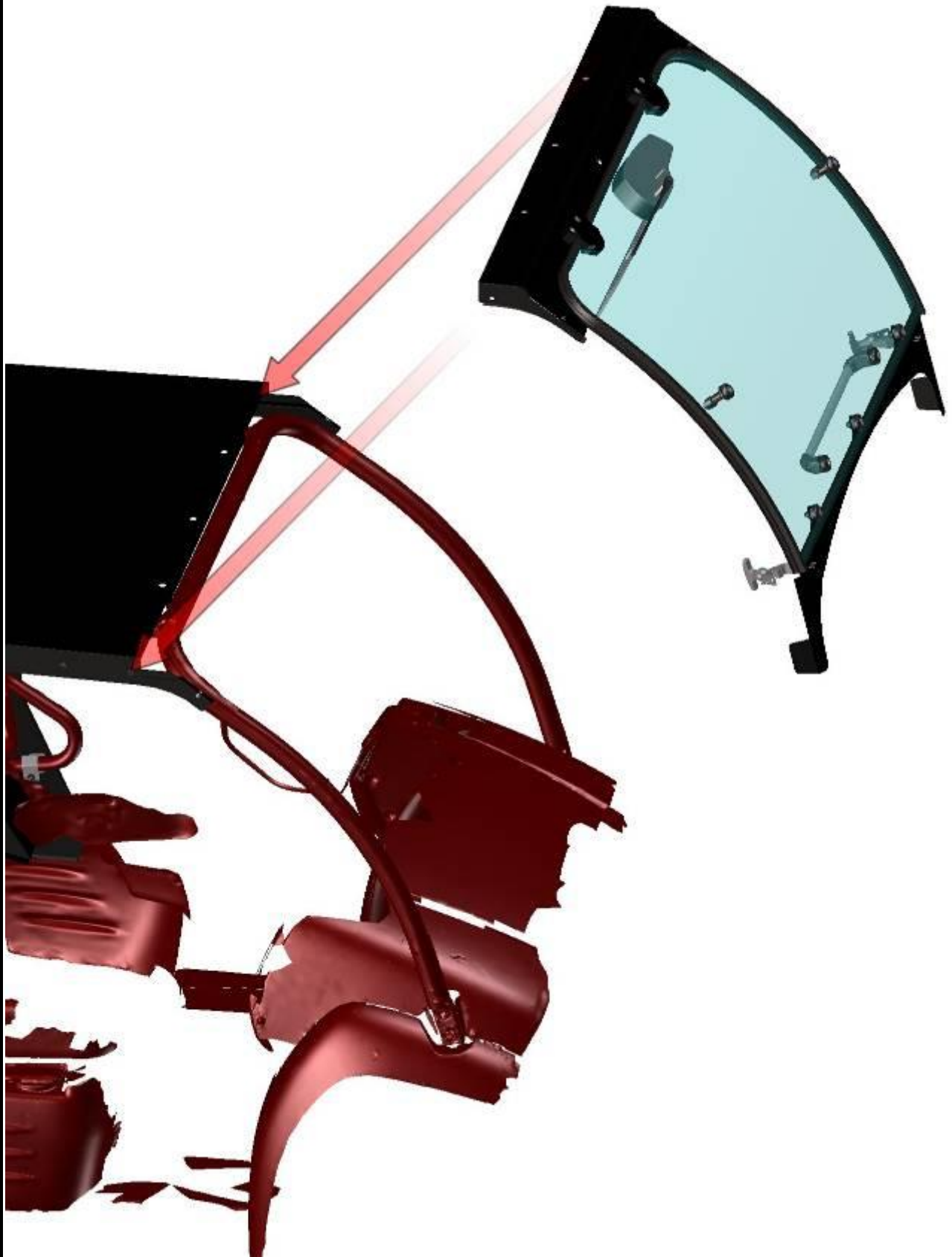
Place the front bottom ledge onto the front glass.



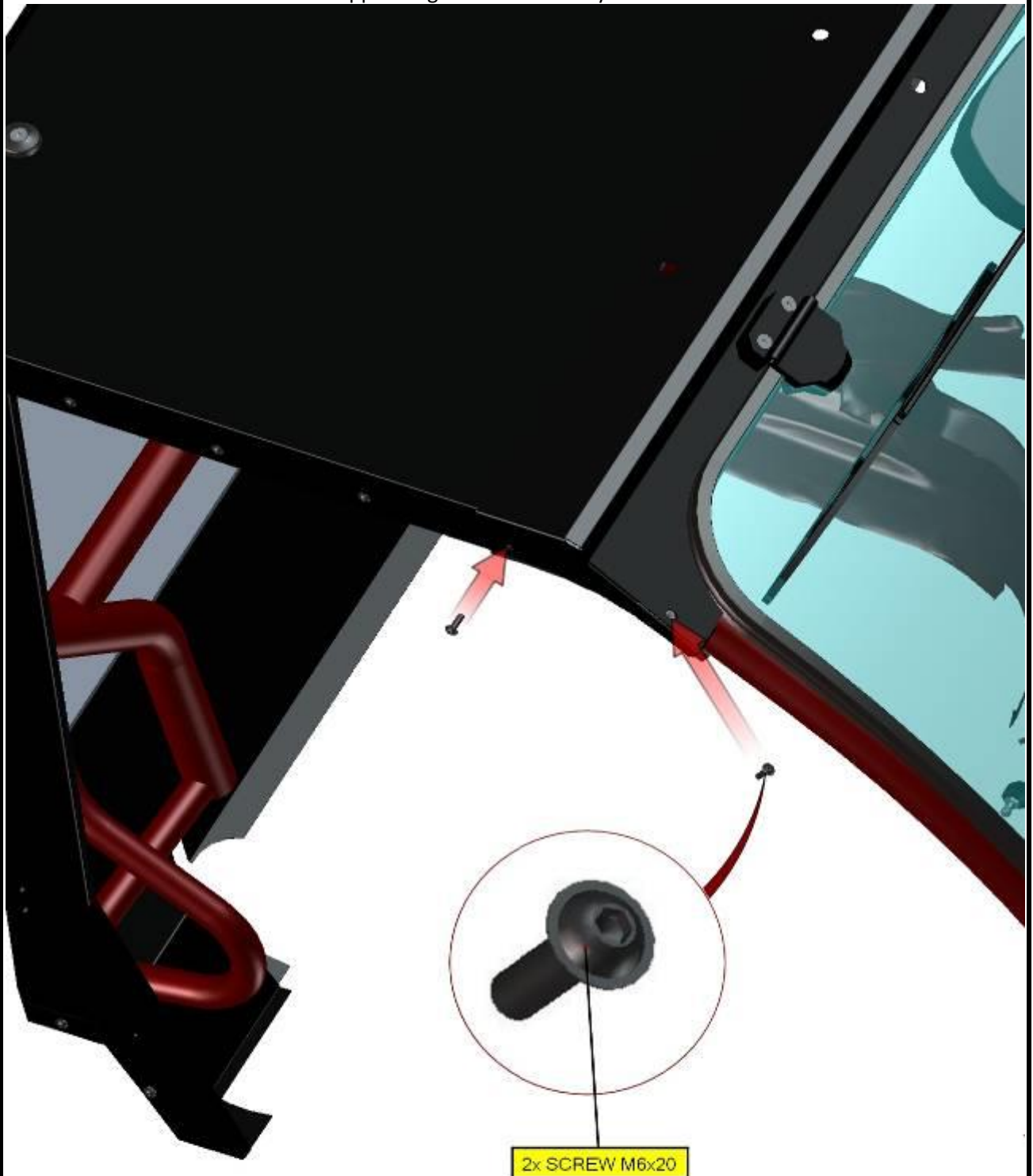
Fix the front bottom ledge with the front glass by screws, washers, nuts and nut covers.  
Don't tighten these screws and washer very hard.



Place the front panel onto the roof and onto the roller cage.



Fix the front upper ledge with the roof by screws on both sides.

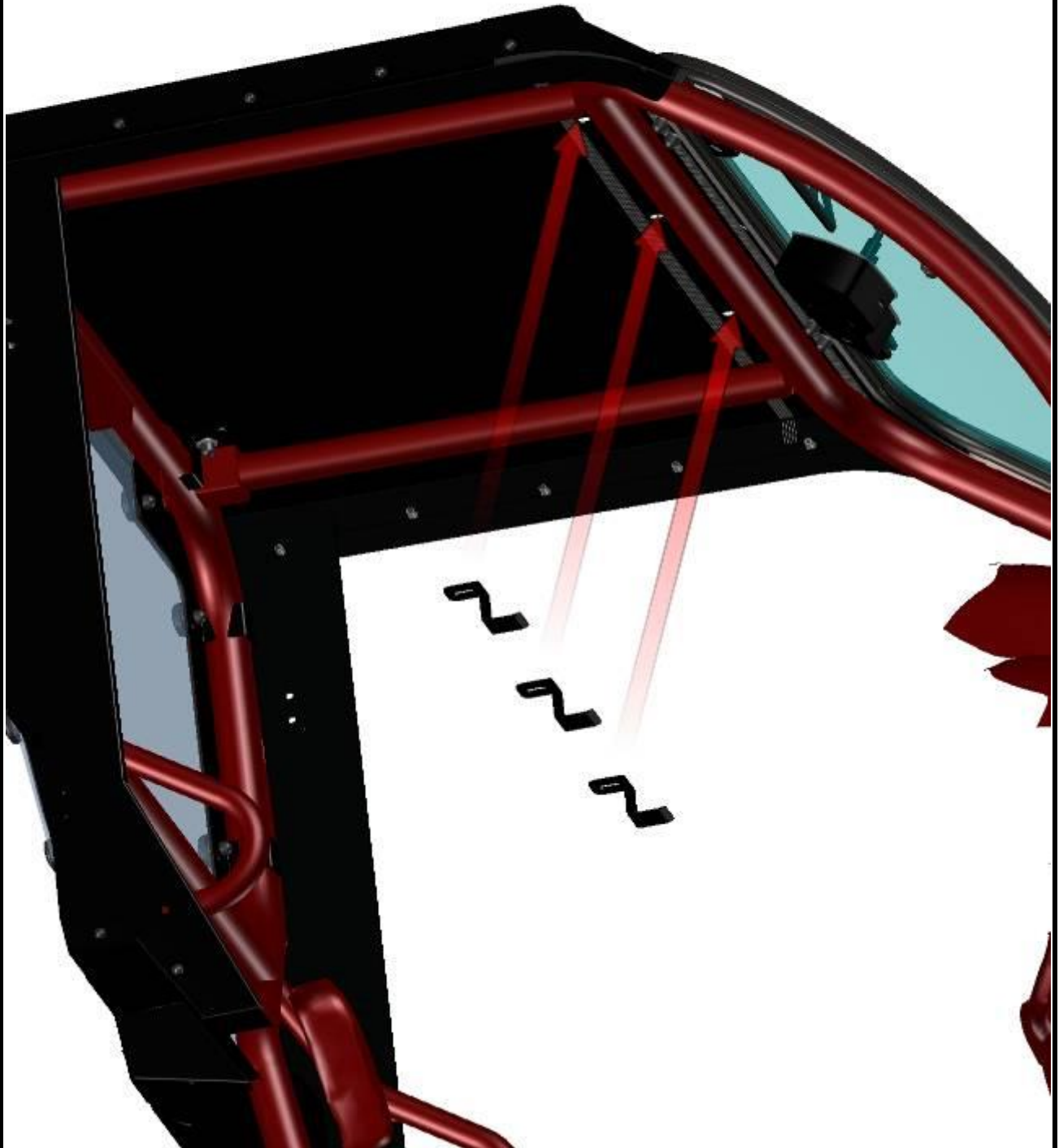


Adjust the front panel to best position.



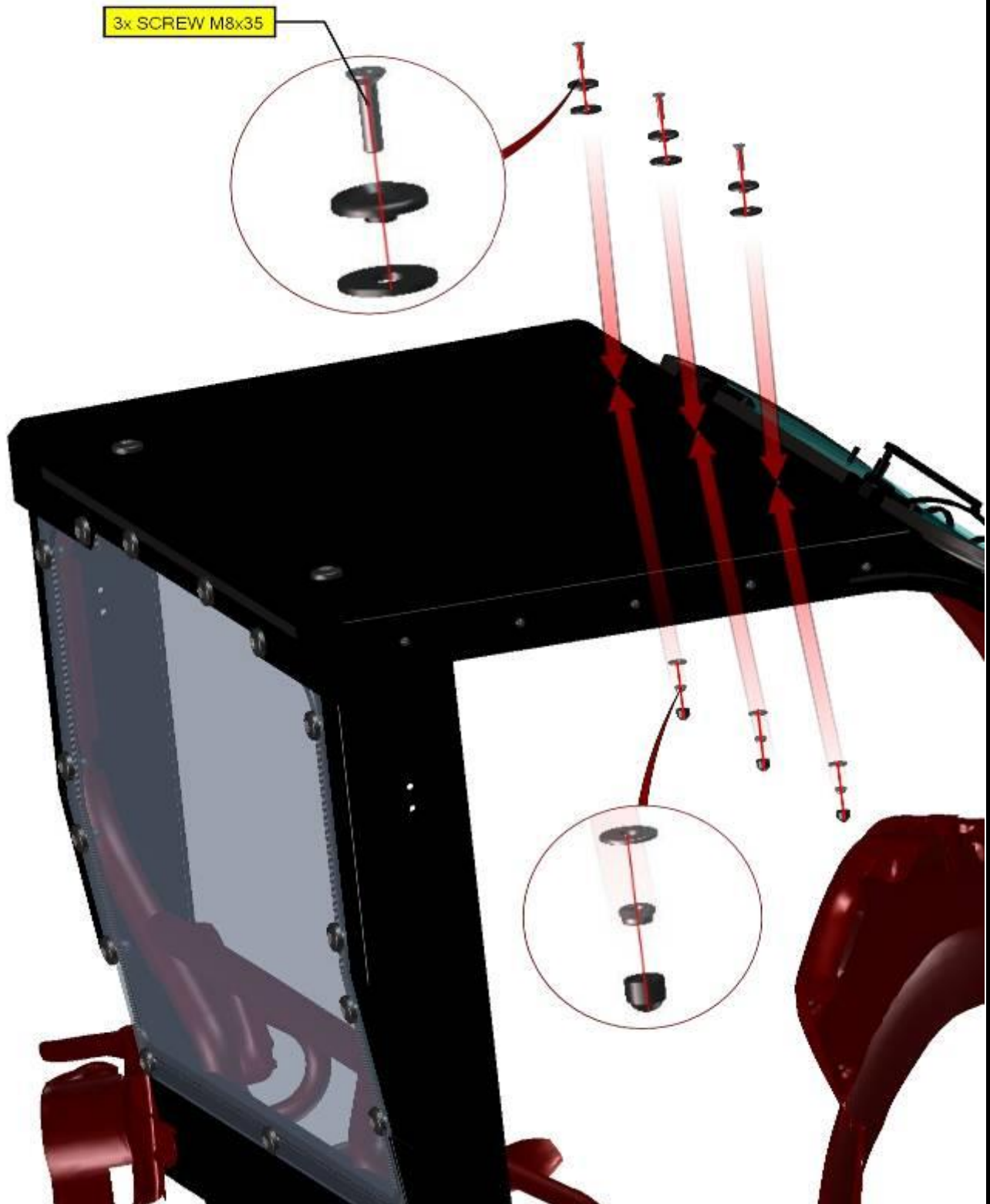
30

Place the front ledge holders onto the roller cage on correct position.



31

Fix the roof with the front ledge and with the holders to the roller cage by screws, washers, nuts and nut covers. Now you can tighten all screws and nuts on the roof.





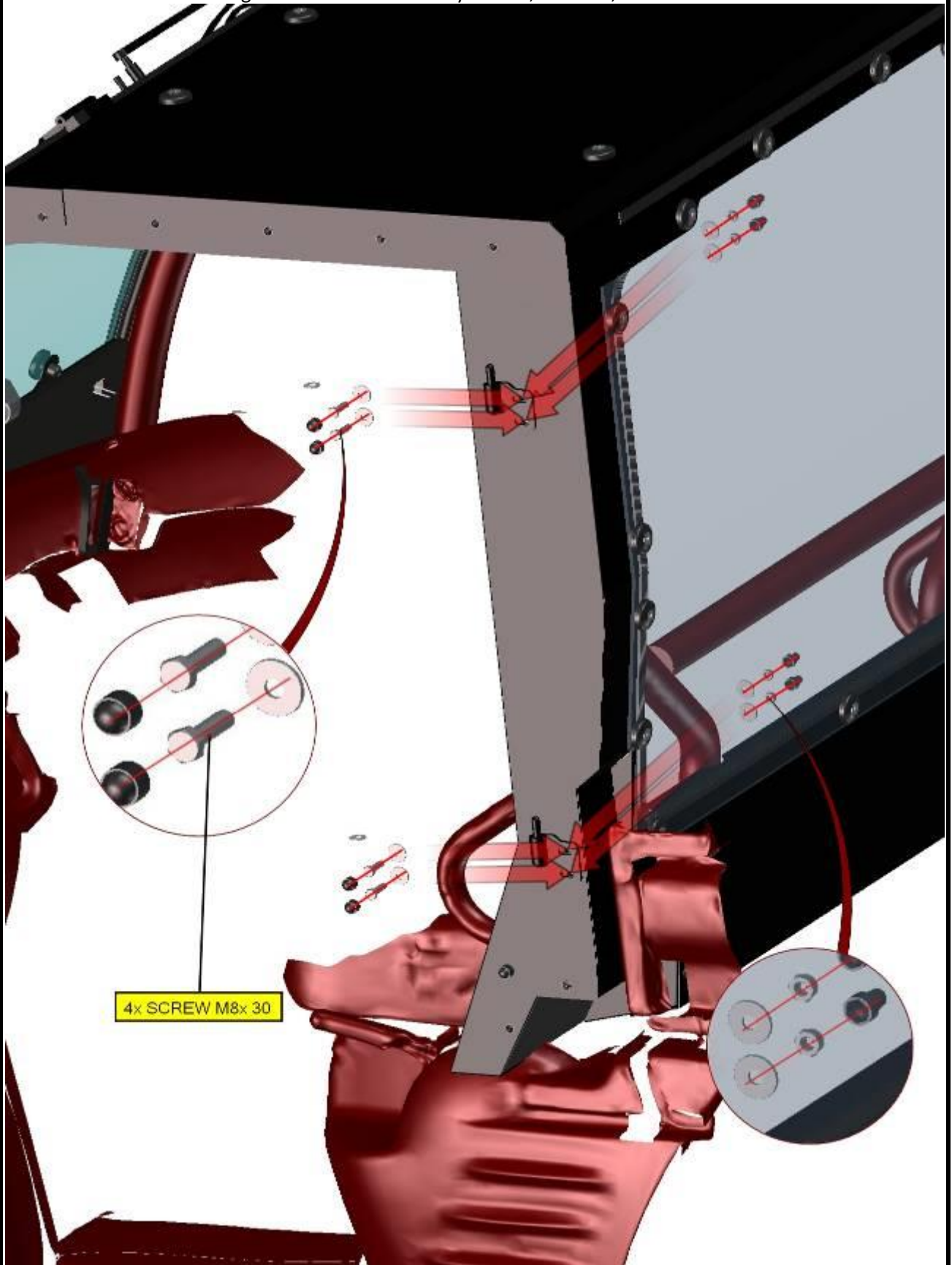
**LEFT DOOR 1.**

**For safety purposes, if the DFK Cab doors are removed, it is mandatory that the OEM Half Doors or Nets are REINSTALLED before operating vehicle.**

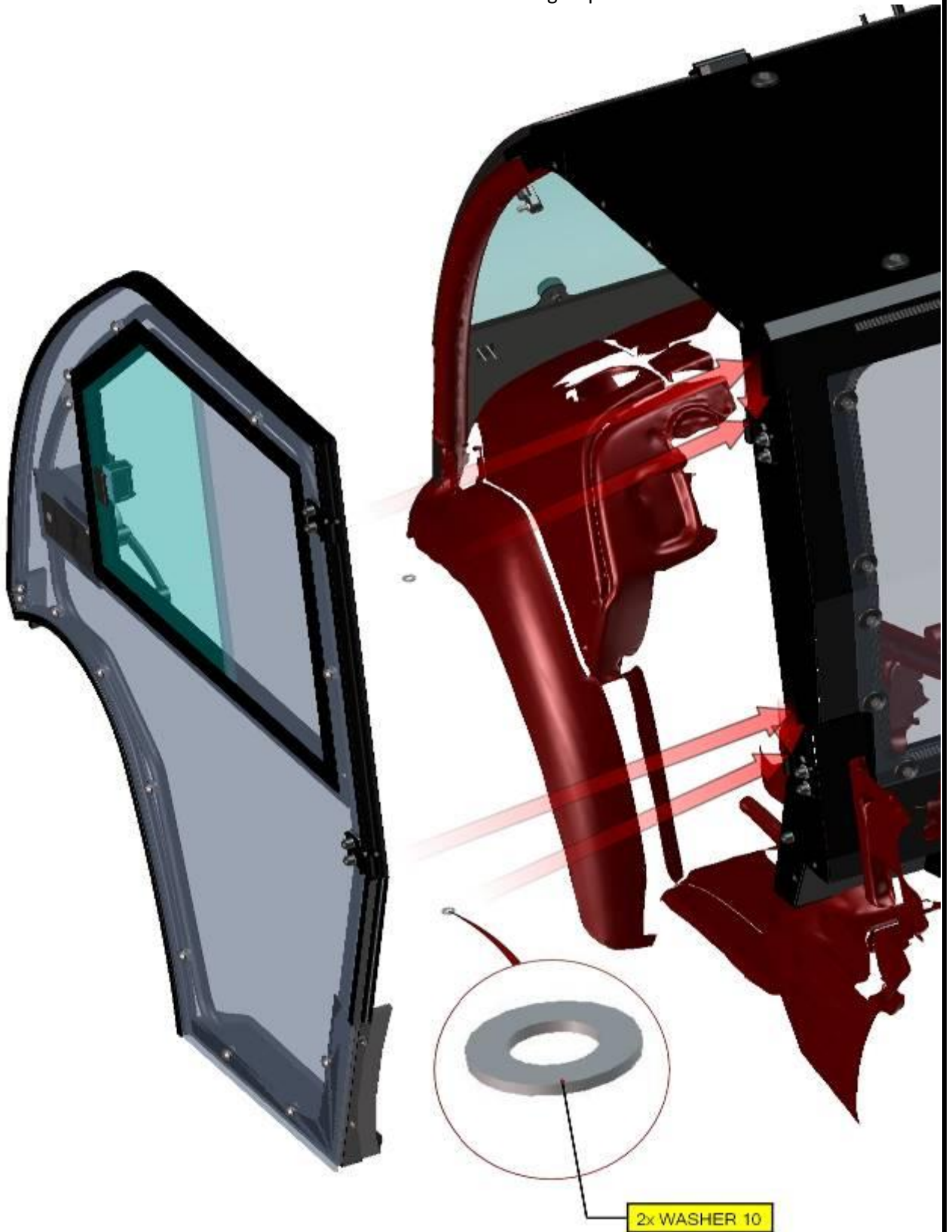
Place the left hinges onto the left door base.



Fix the hinges with the door base by screws, washers, nuts and nut covers.



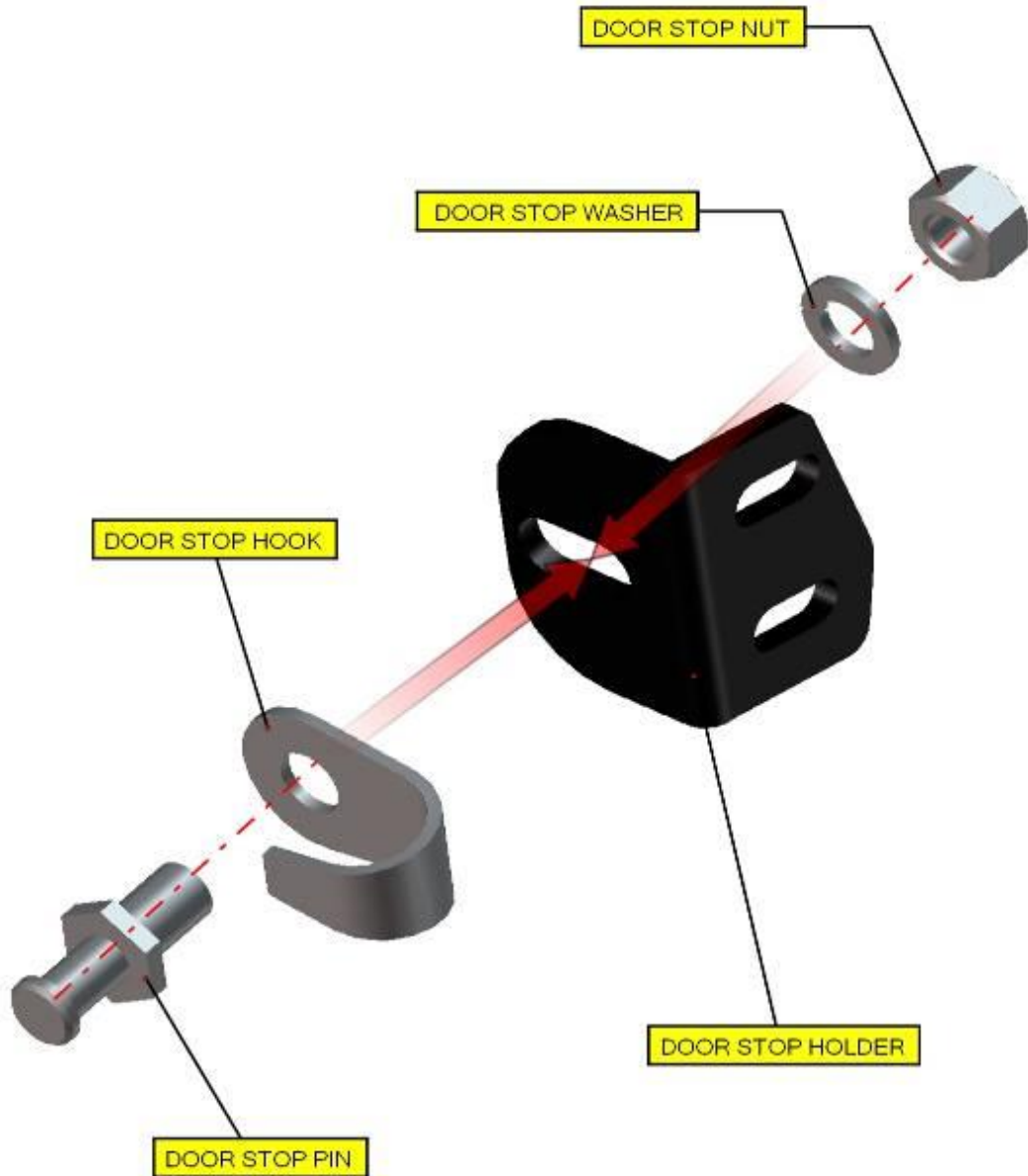
Lubricate the hinge's pins and insert washers on the pins.  
Insert the left door on the hinge's pins.



Adjust the door by door hinges to best position, no gapes between the door and UTV (yellow line).  
Distance between the door and roof (red line) has to be between 4mm and 6mm.  
Tighten the screws and nuts on hinges.



Install the door stop assembly (pin, hook, washer and nut) with the left door stop holder.

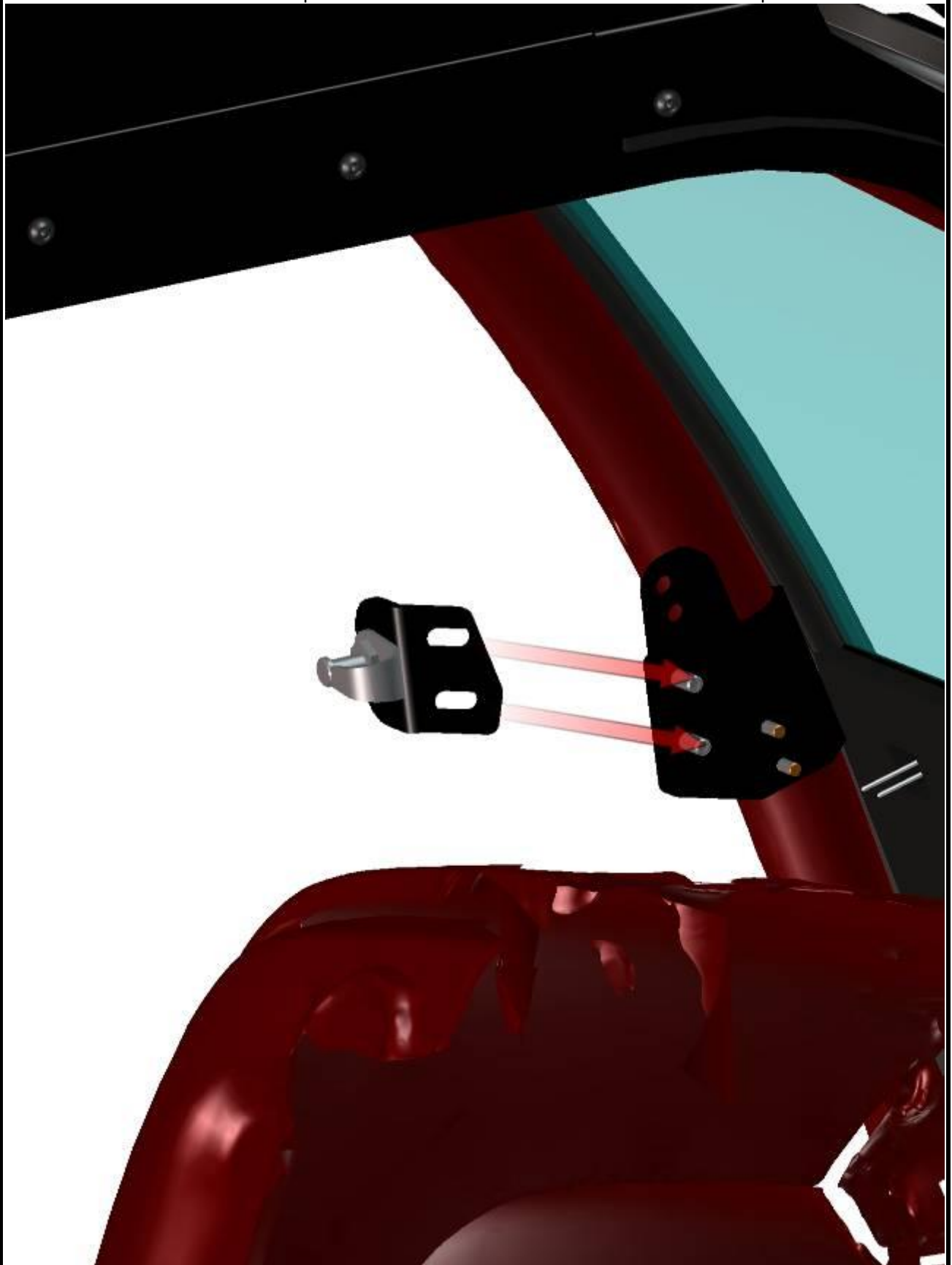


Place the left inner door stop holder and the left outer door stop holder onto the roller cage.

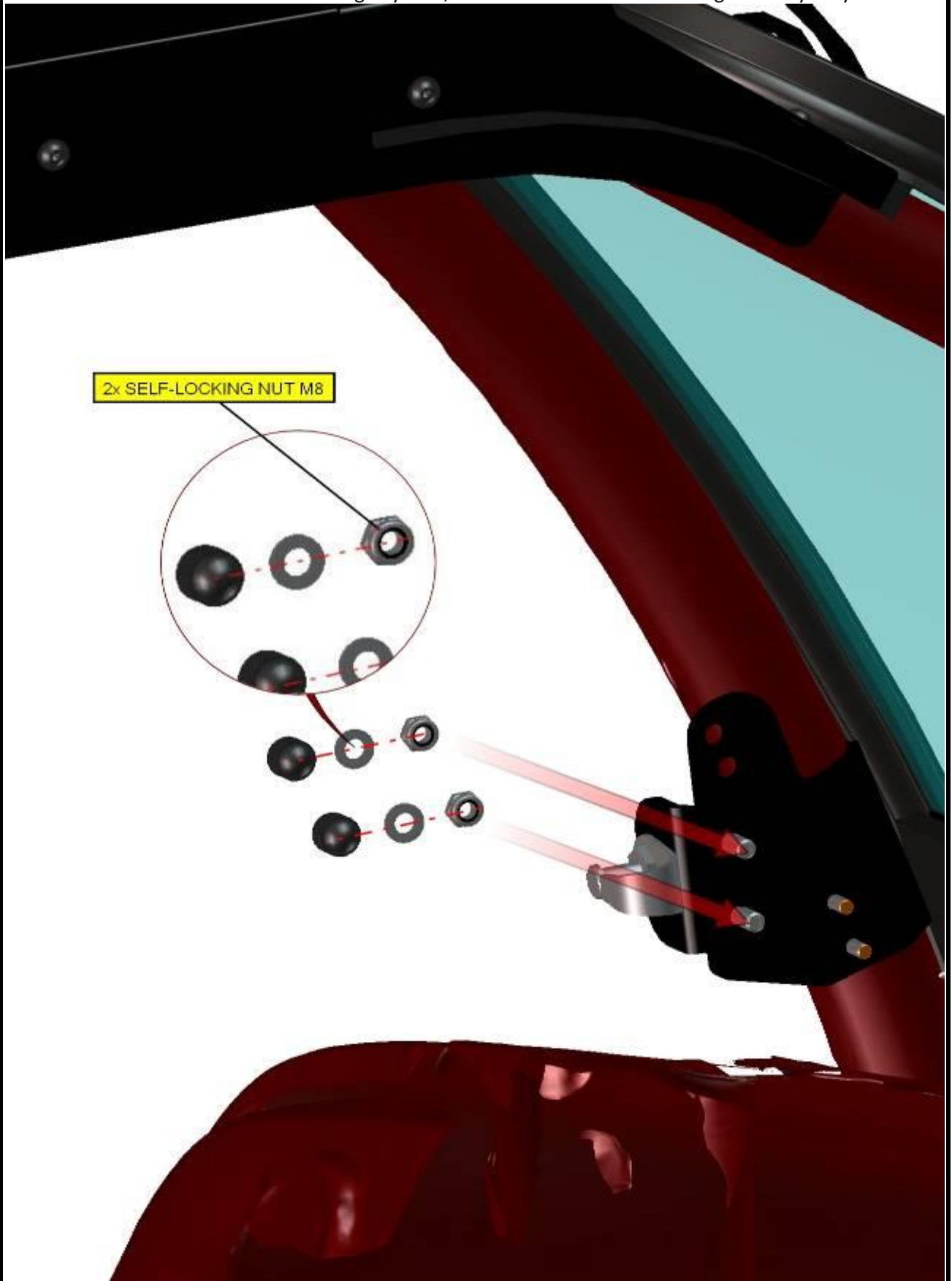


38

Place the left door stop holder on the welded screws on the inner door stop holder.

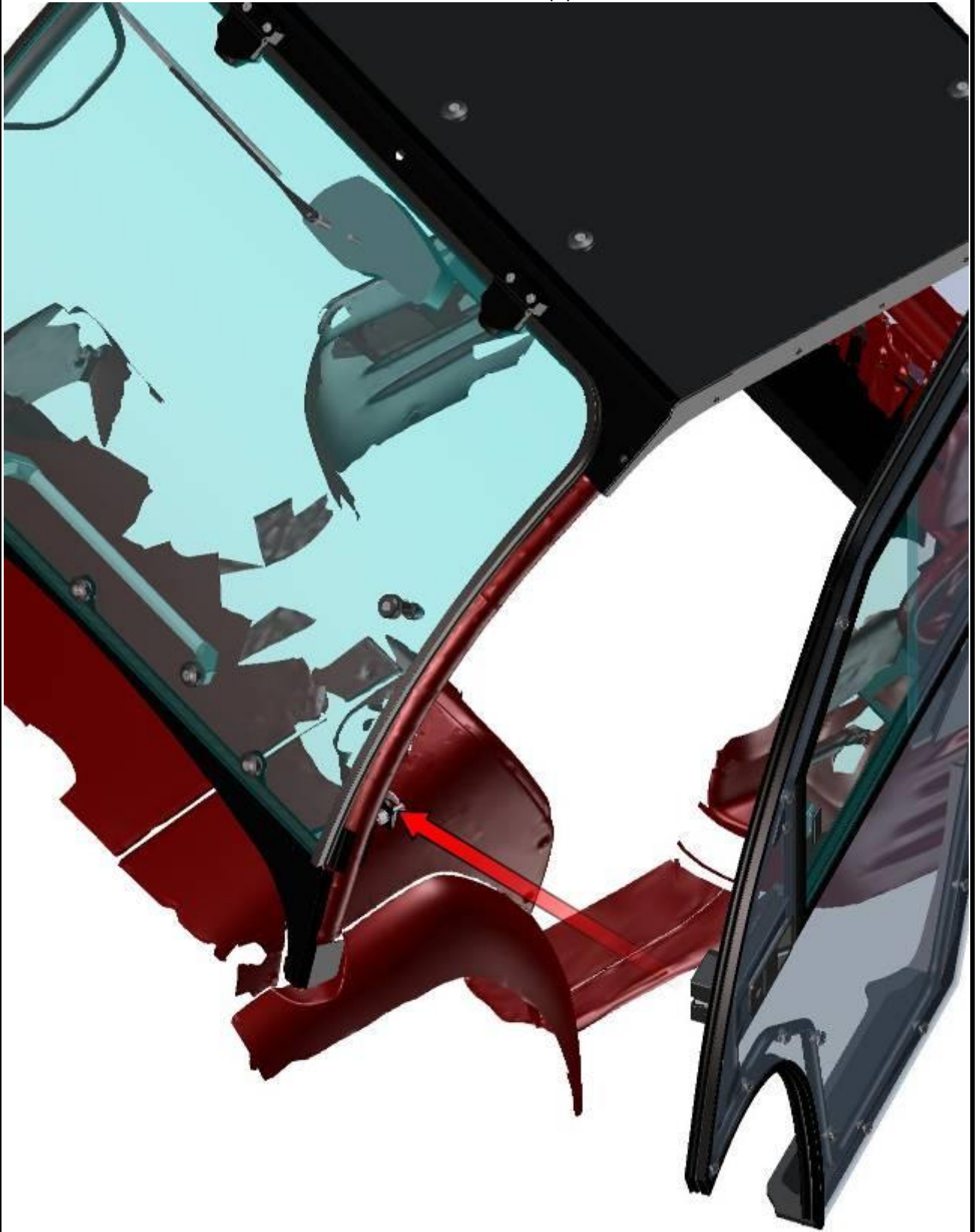


Fix the holders to the roller cage by nuts, washers and nut covers and tighten very easy.





Close the door and insert the door stop pin into the door lock.

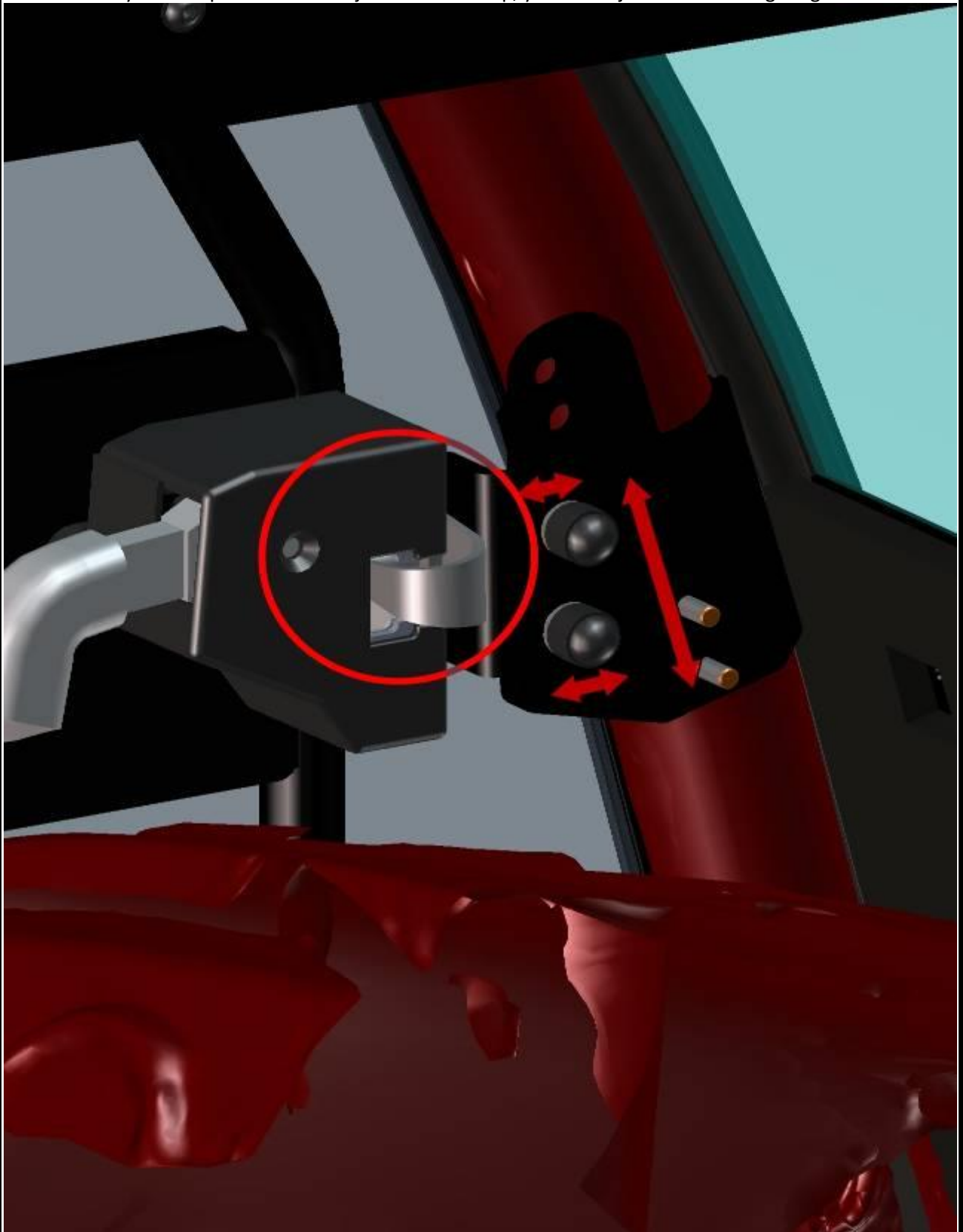


41

Adjust the door stop holders to best position and tighten nuts hard.

If you close the door slowly and the door stop has been adjusted correctly, you can hear clear metallic click.

If you have problem with adjust the door stop, you can adjust the door hinges again.



Untighten the nuts in red circles and adjust the EPDM ledge to best position. Tighten the nuts.

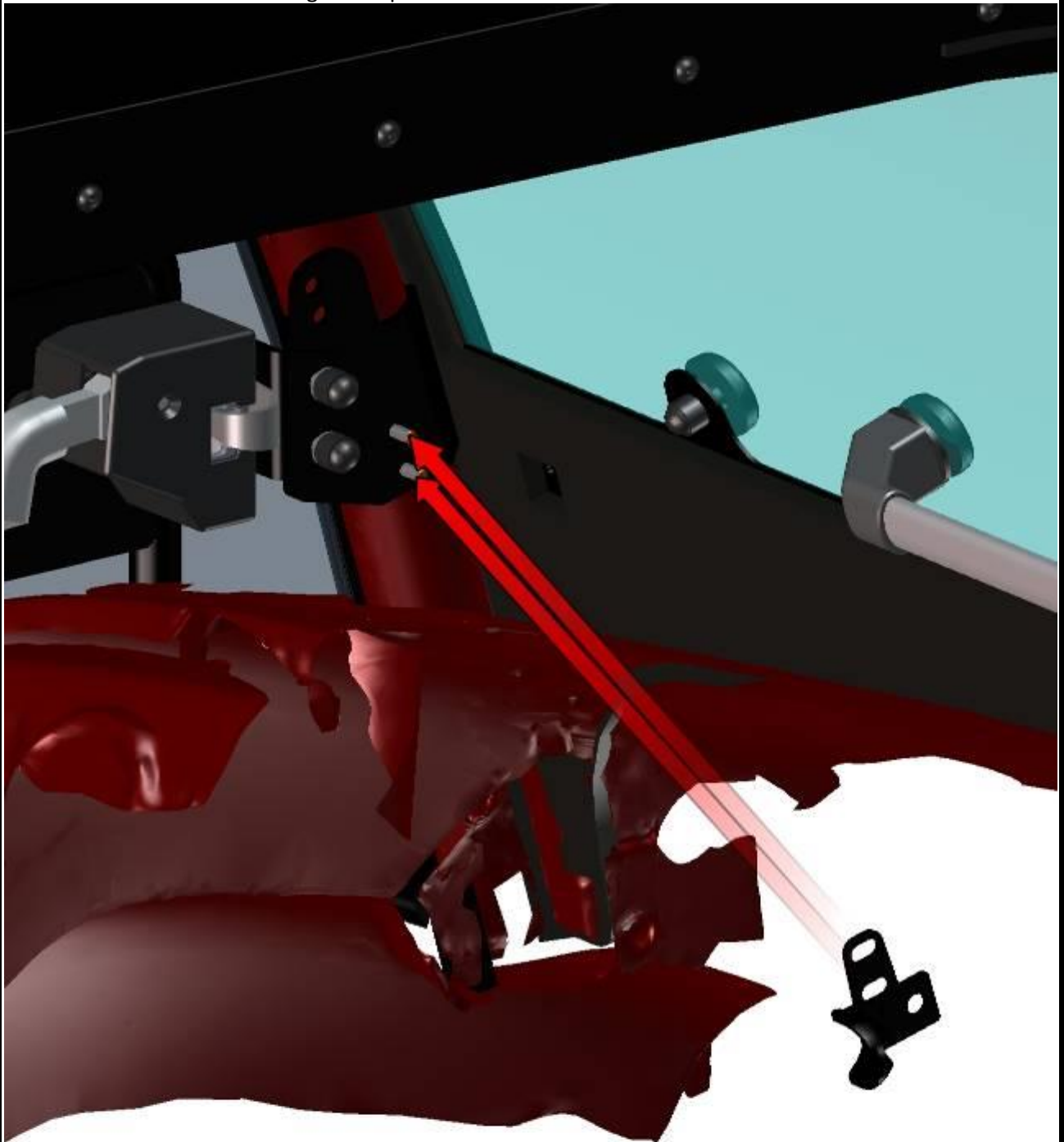


43

INSTALL THE RIGHT DOOR (JUST REPEAT STEPS WITH RIGHT DOOR PARTS)

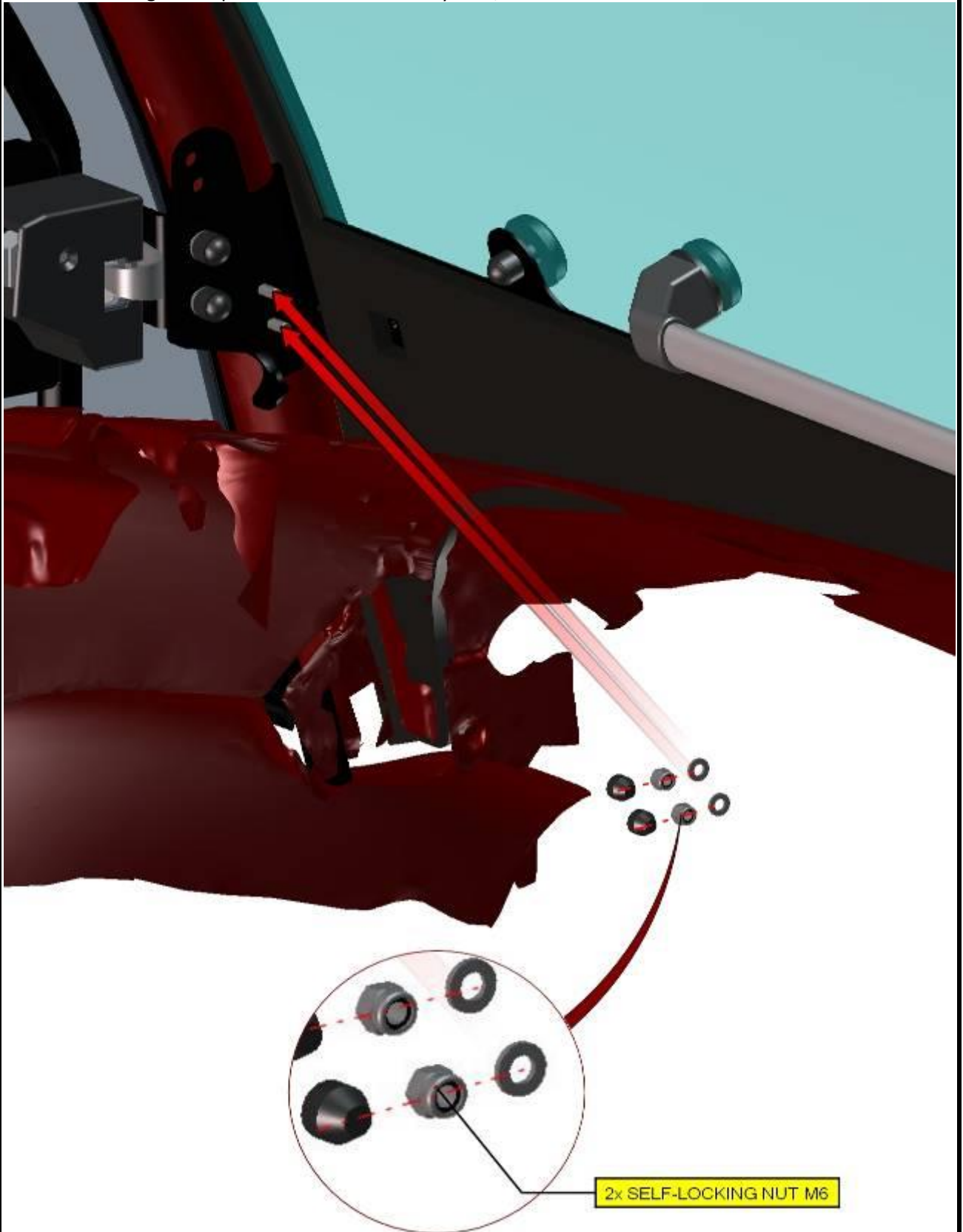
**FRONT PANEL 2.**

Place the front glass stop on the inner holder's welded screws on both sides.

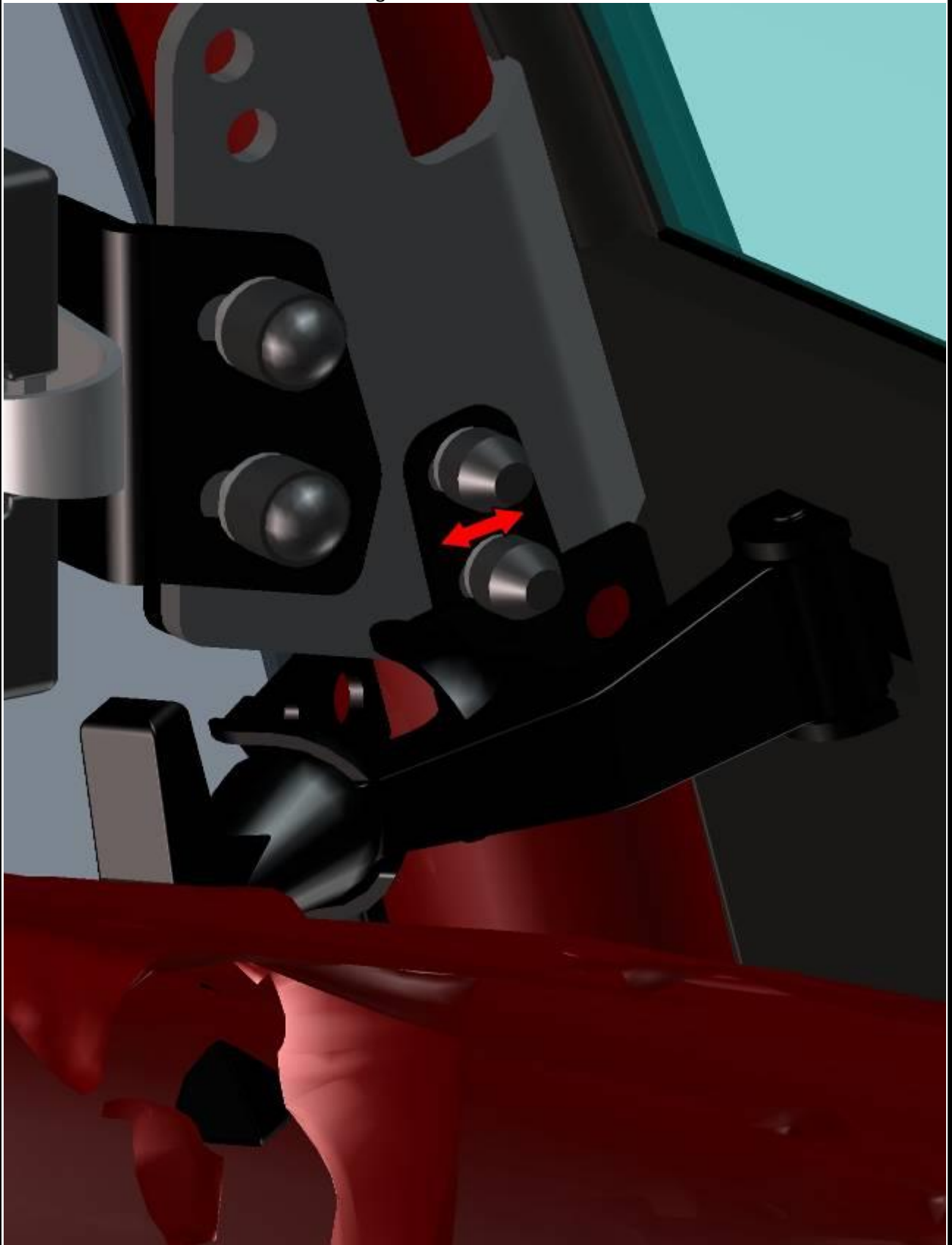


44

Fix the glass stop with the inner holder by nuts, washers and nut nut covers on both sides.



Lock the front window by the window lock and window stop and adjust the window stop to best position.  
Tighten window lock nuts.



Insert the gas spring on the gas spring holder on both sides.



47

Insert the gas spring in the gas spring holder metal and fix these by nut on both sides.



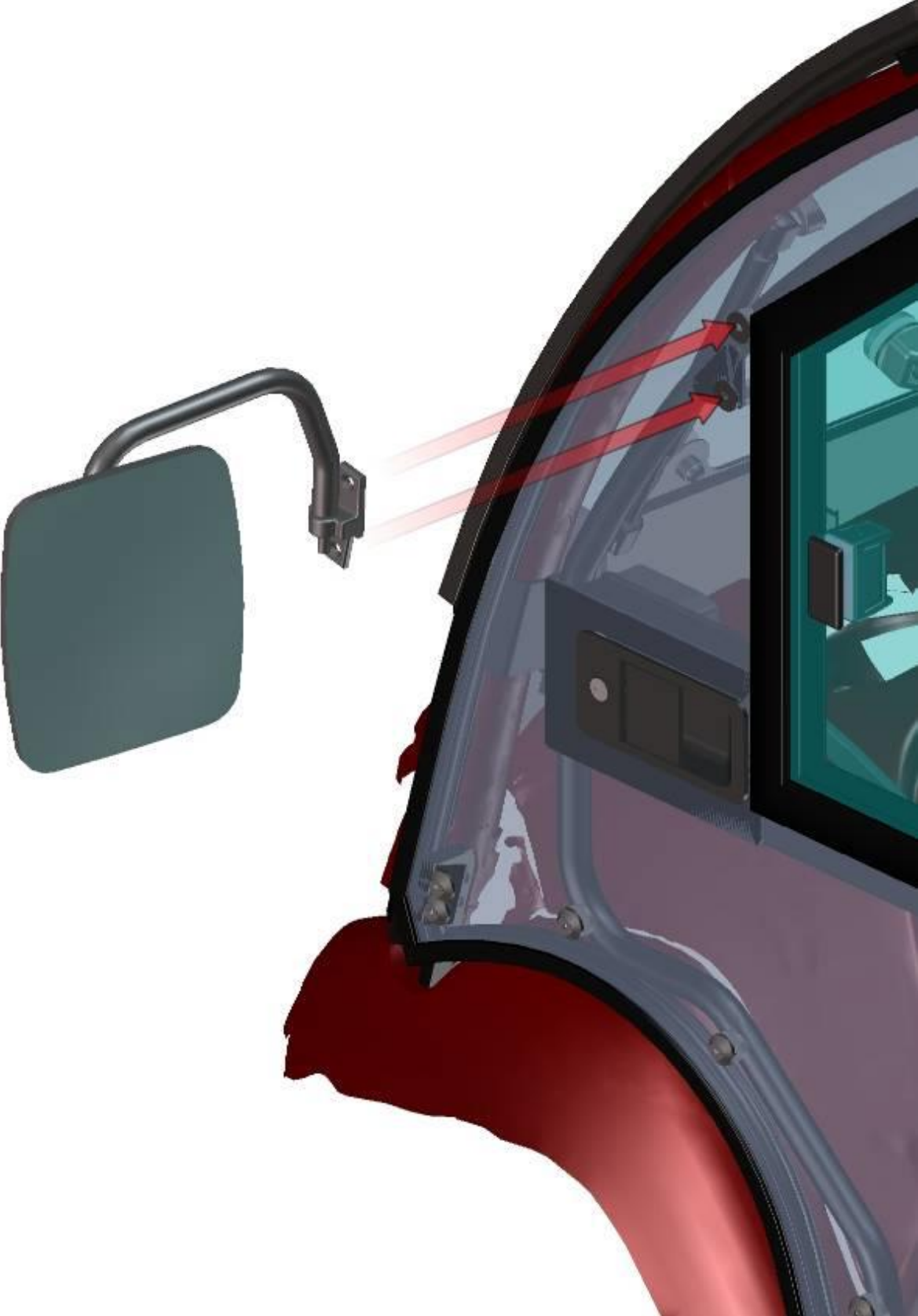


LEFT DOOR 2.

Take out the screws and outer washer from the door.

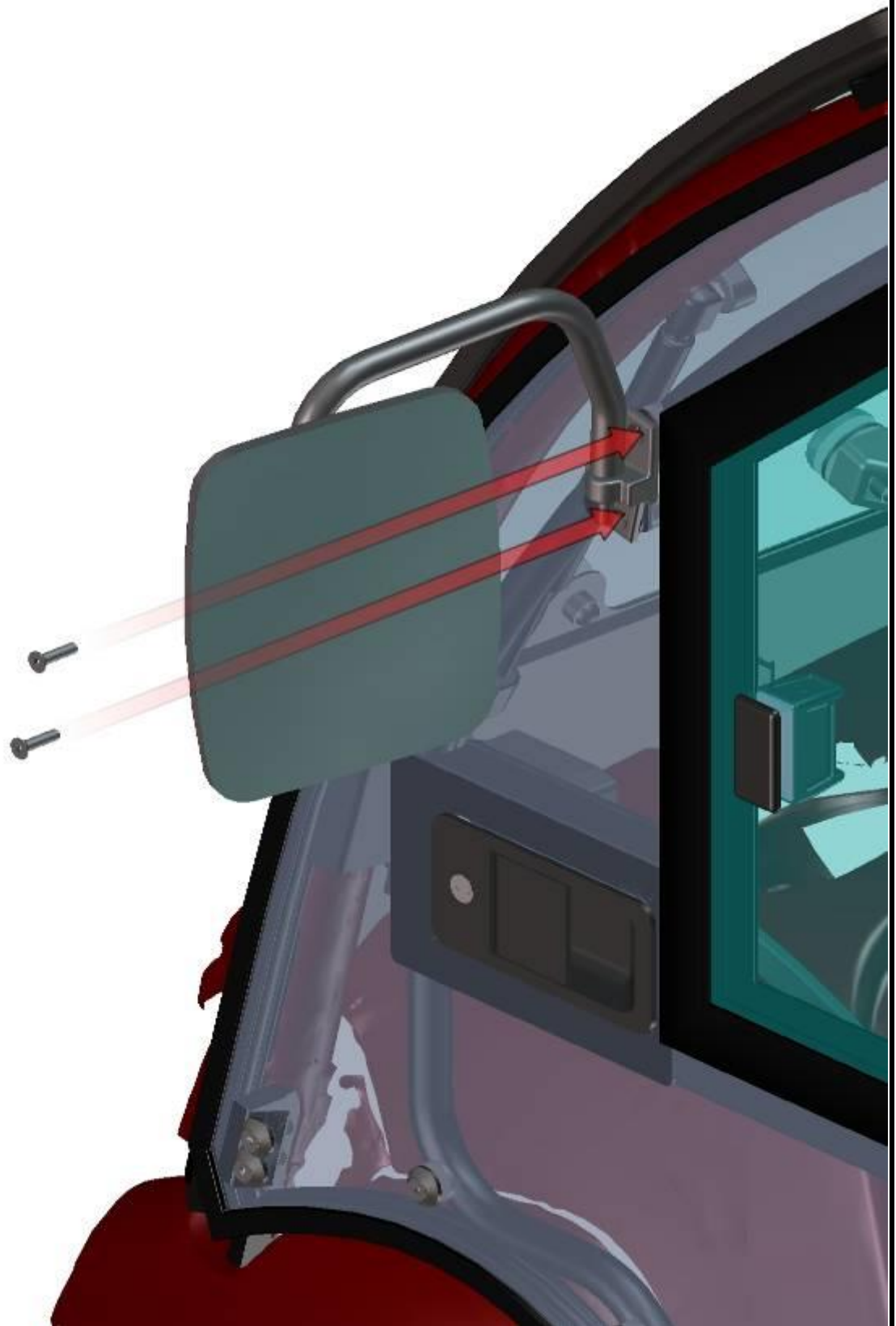


Place the rear mirror onto the door.



50

Fix the rear mirror with the door by screws from page No.: 46.

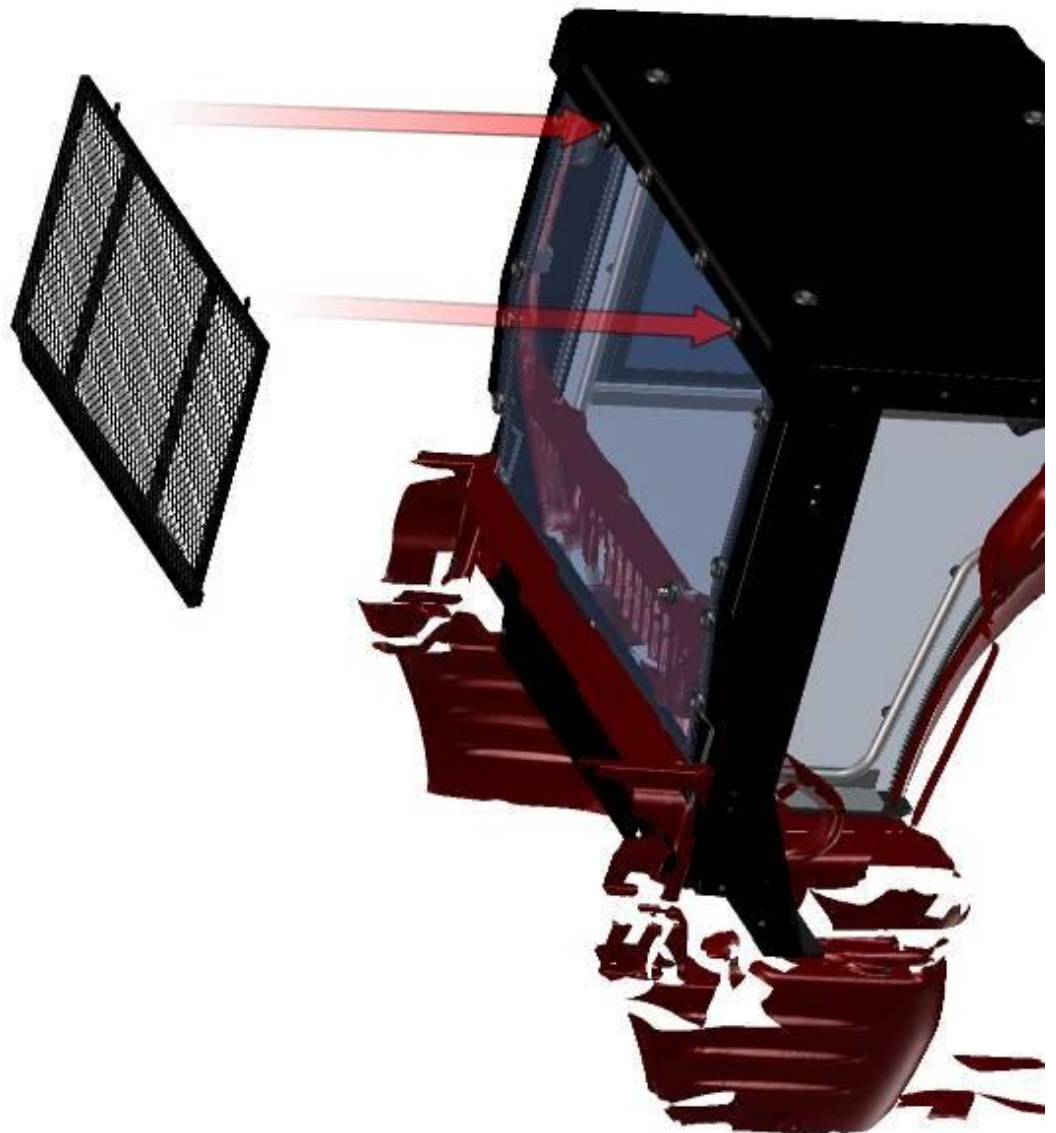


51

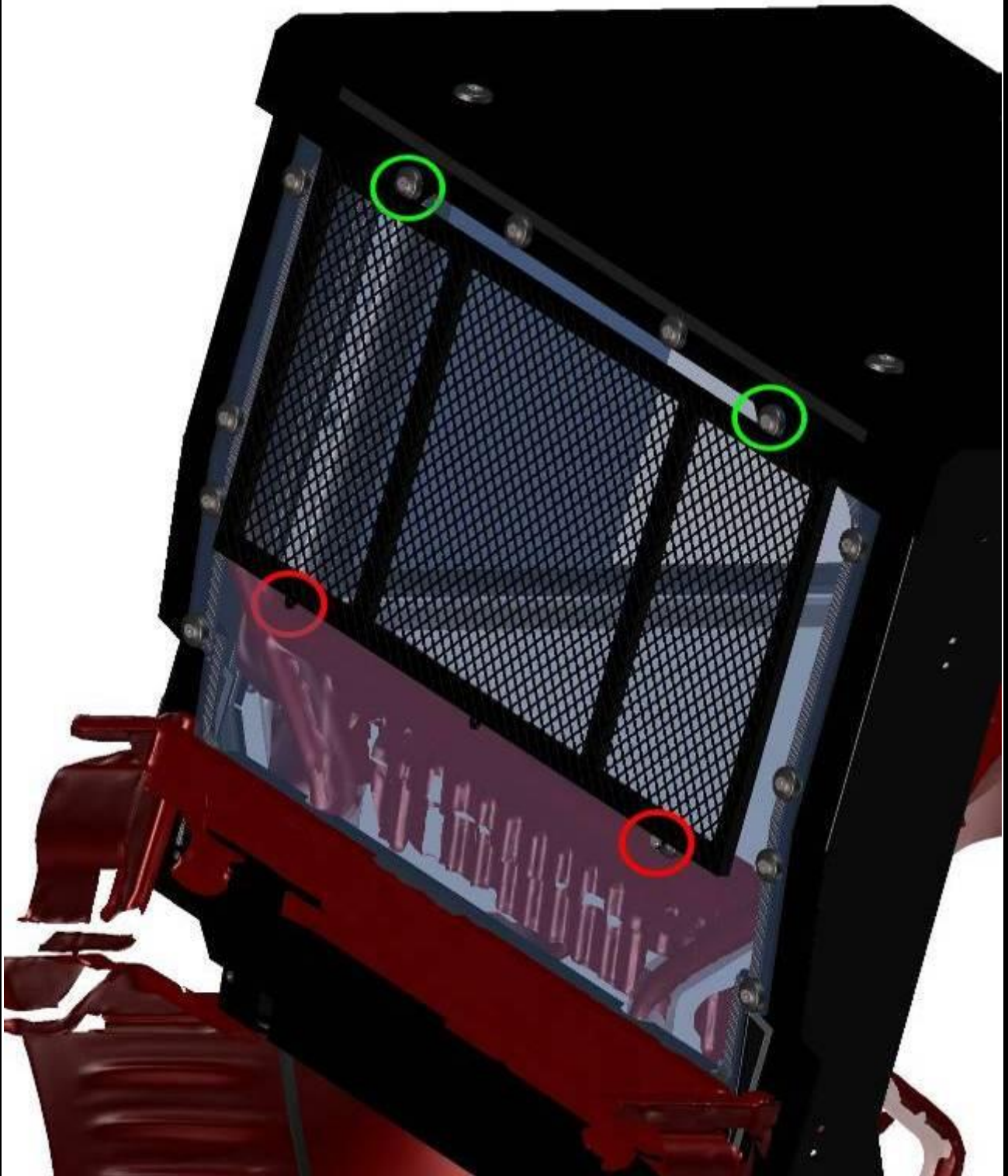
Repeat these steps with the right door.

**SAFETY FRAME**

If you need, you can install the rear safety frame onto the cab.  
Losen the screws under red arrows and place the network onto the rear roof.



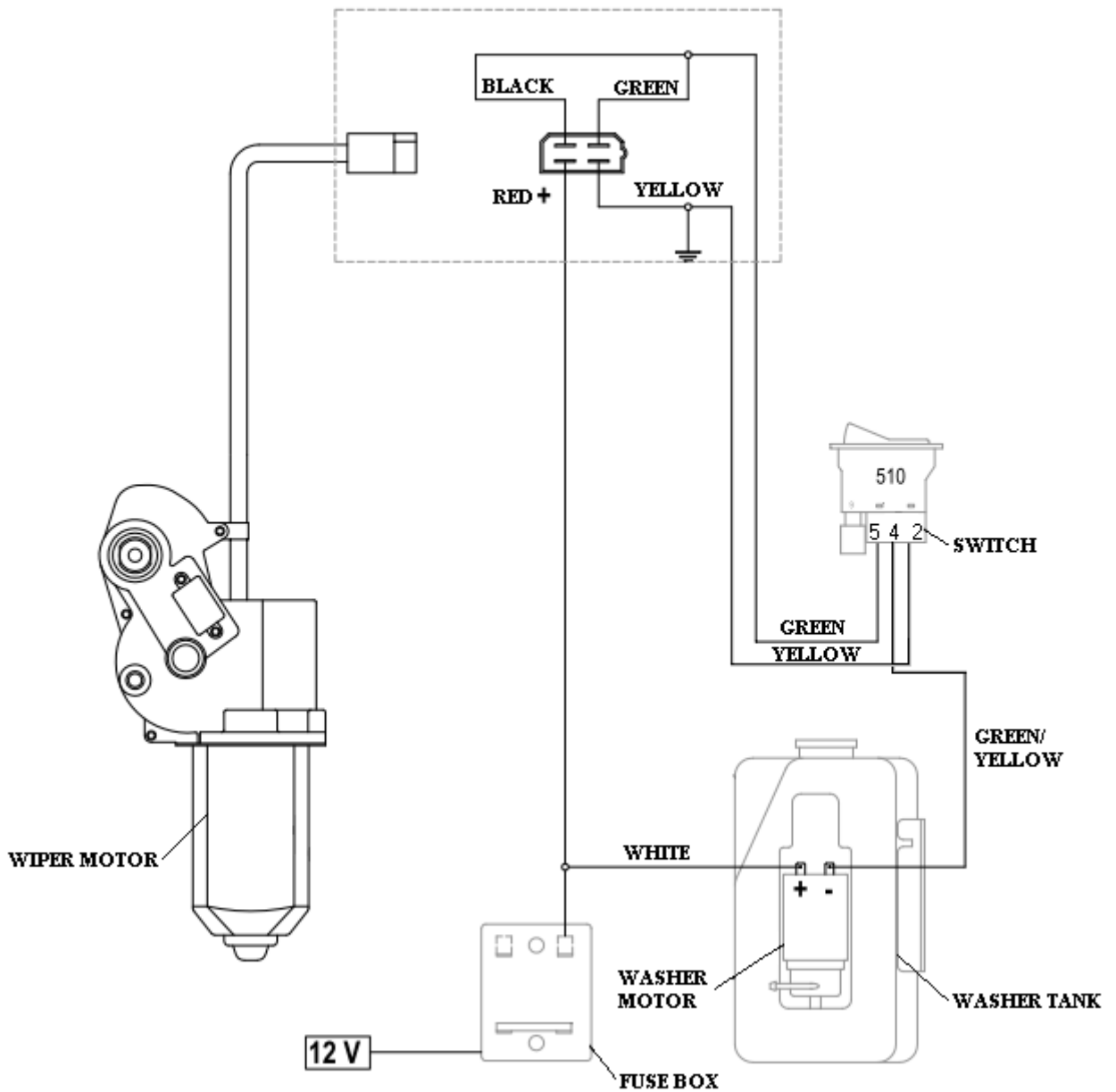
Fix the network with the roof and the door bases by screws, washers, nuts and nut covers from previous page (in green circles). Drill 2 hole  $\varnothing 15\text{mm}$  into the rear polycarbonate window in accordance with the bottom network holder's holes (in red circles). Fix the network with the UTV's body by screws, washers and nut (included with cabine).



Tighten all screws and nuts on cabine correctly and insert all nut covers.

**ELECTROINSTALLATION**

Overall wiring diagram (washer, wiper and switch)



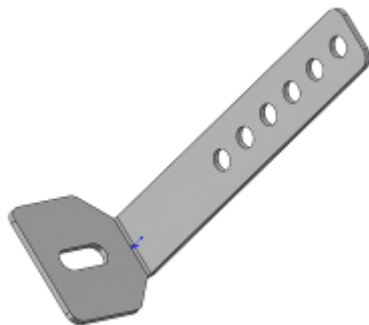
Accessories for mounting the wiper, washer assembly.  
Switch



wiper motor



Washer tank holder



harness



The washer tank has been placed under the right UTV's seat.



Fix the washer tank with the UTV's metal body by included screw, washers and nuts.  
The washer tank holder is in red circle.



Uninstall the under-seat cover and save.





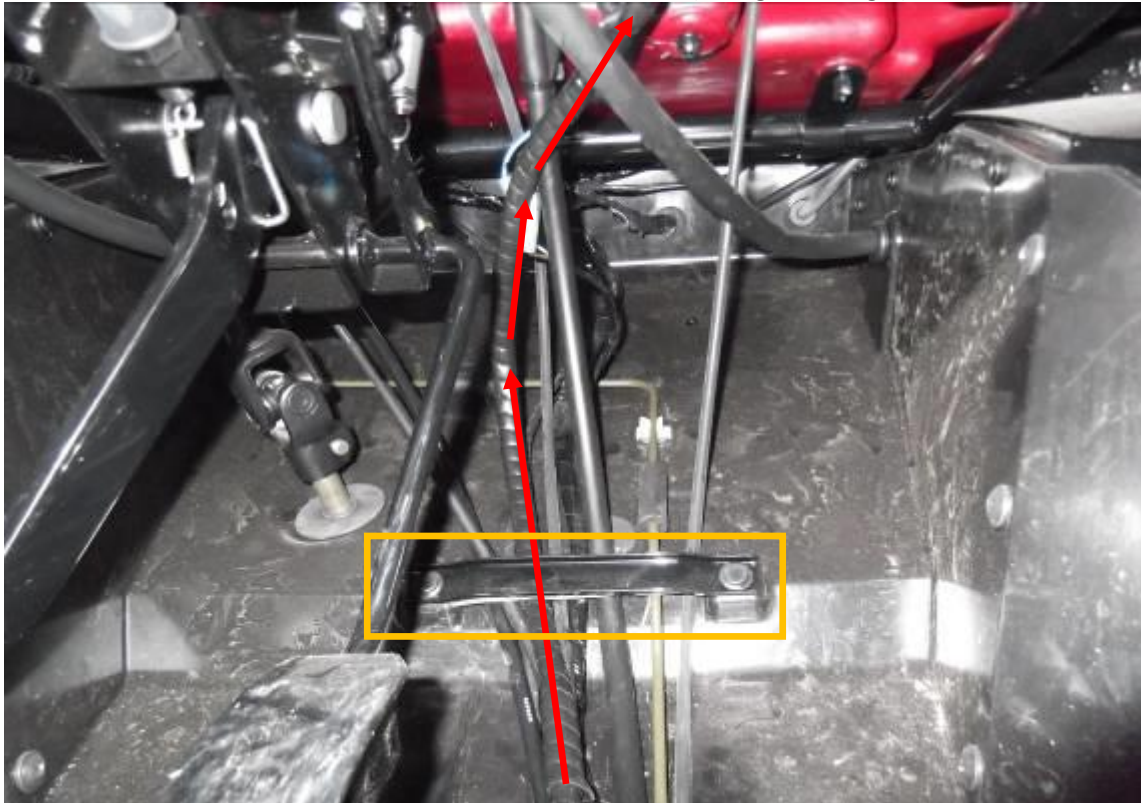
Uninstall the floor tunnel cover from the UTV's floor and save.



Lead the harness branches No.: 3 and 4 through the tunnel from the washer tank to the front bottom dashboard.



Lead the harness from the tunnel to the dashboard upper part under the tunnel cover reinforcement (orange rectangle).



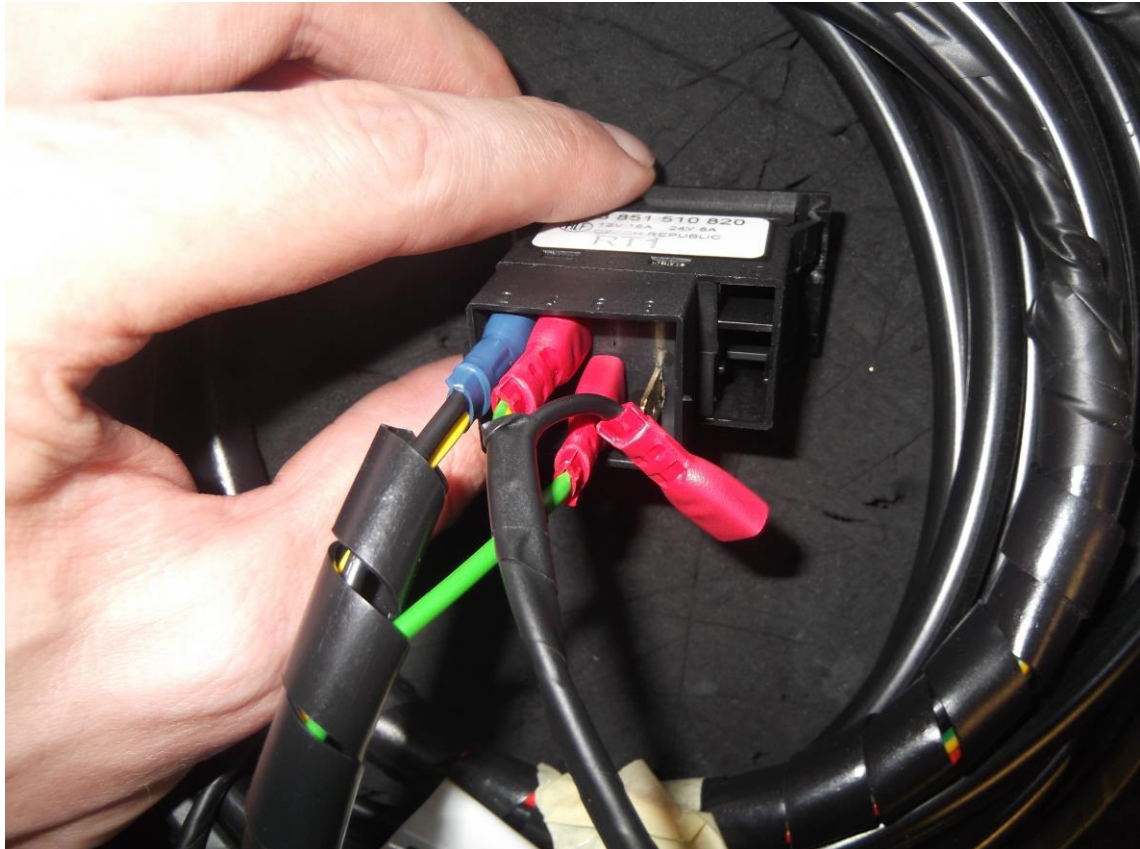
Lead the harness branch No.:3 under the dashboard to left side.  
Lead the harness branch No.:4 under the dashboard to right side.



Cut the rectangle hole 44,9x21,7mm (red rectangle) for switch into the dashboard near the wheel (or where you need that).



Connect the harness branch No.: 3 with the switch and insert the switch into the dashboard.



View on installed switch



Loosen the screws on the dashboard right side and save these.



60

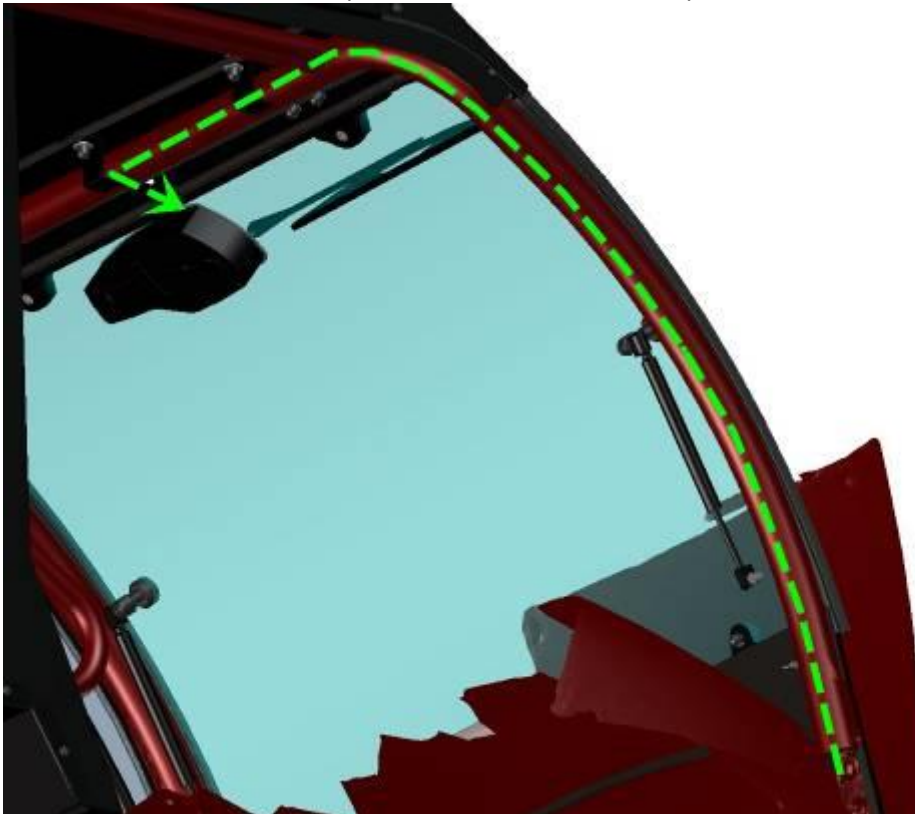
Lead the harness branch No.: 4 under the dashboard cover to the right front roller cage.



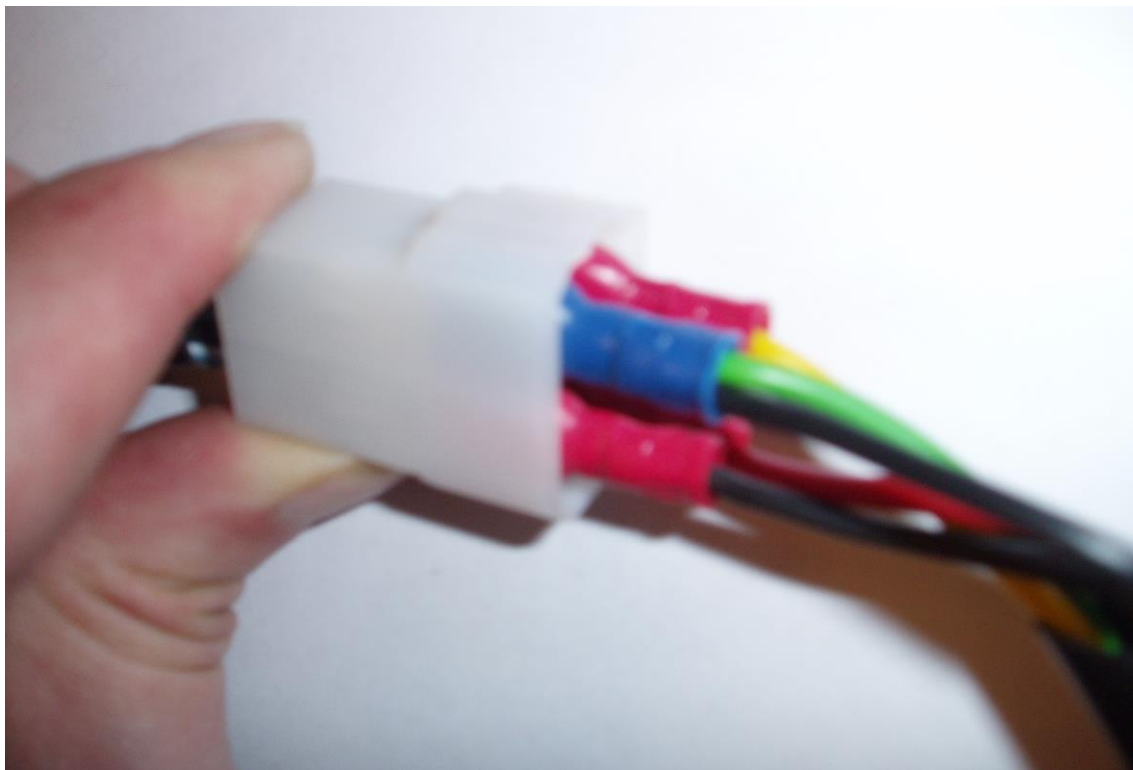
Pull the harness through the hole between the dashboard and roller cage.



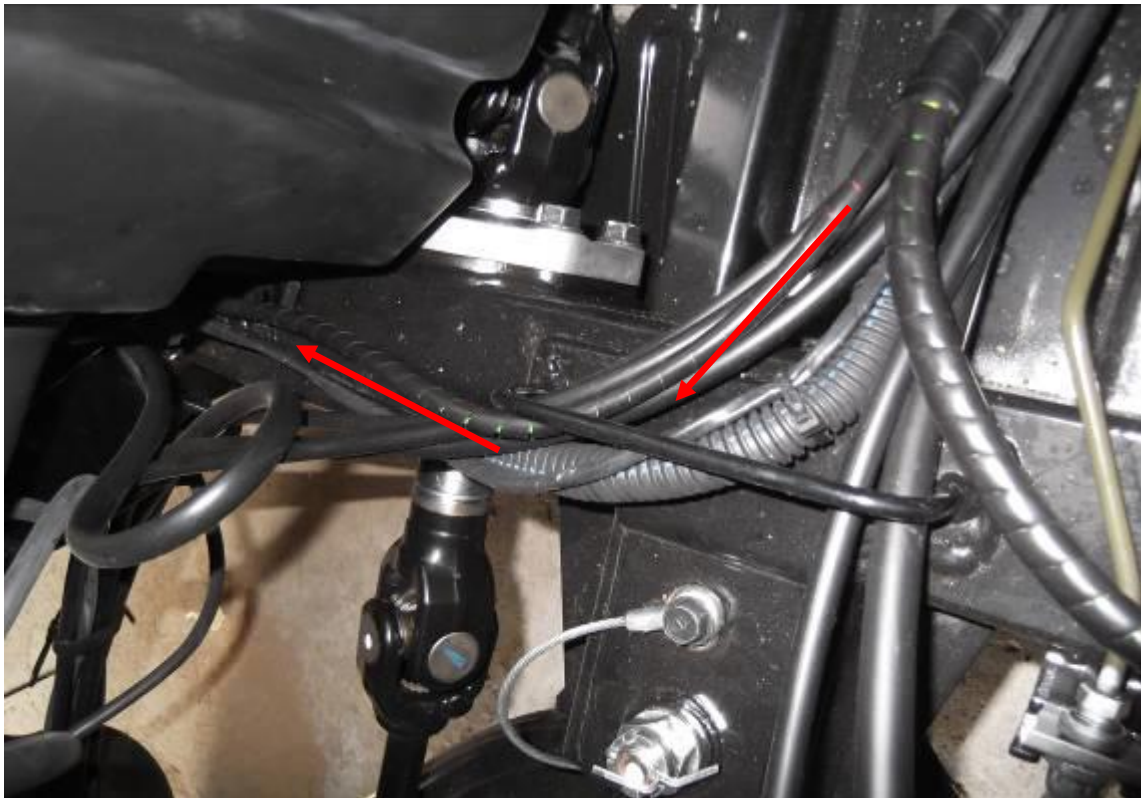
Lead the harness branch No.: 4 (green line) around the roller cage to the front wiper motor.  
Uninstall the wiper motor cover from the wiper motor and save that.



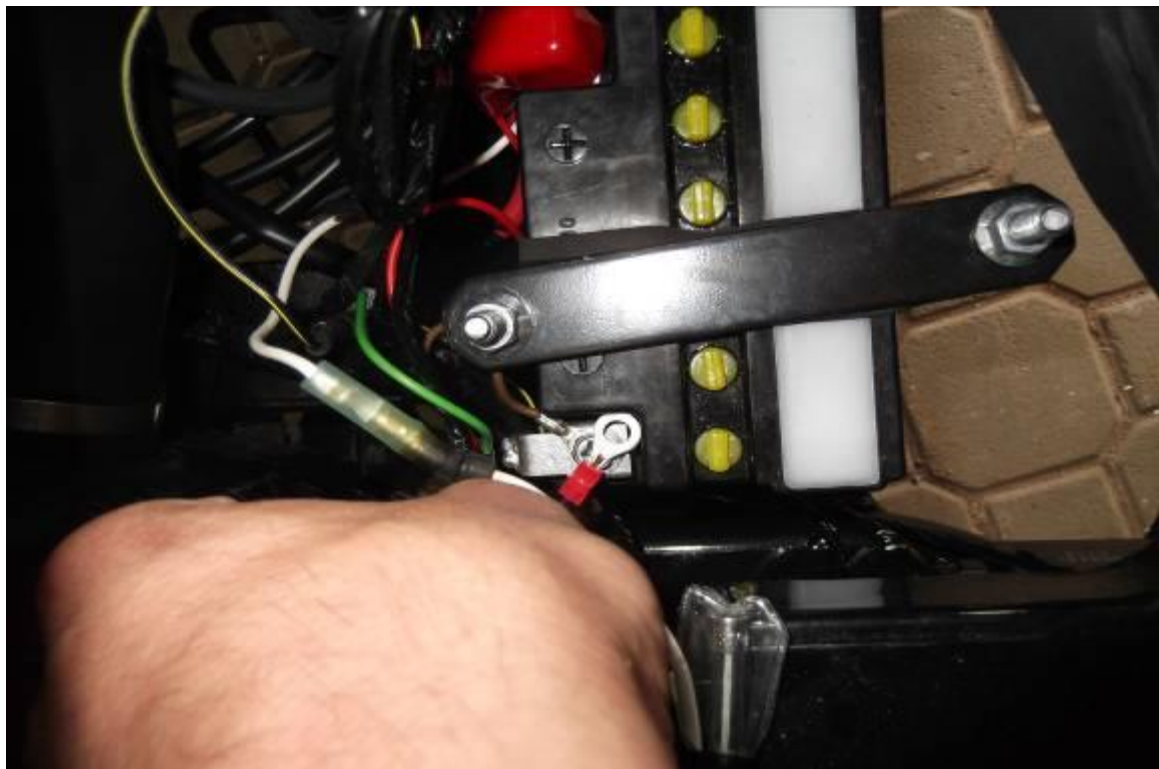
Connect the harness branch with the wiper motor connector and connect the washer hoses with washer connector "L". Install the wiper motor cover back to position.



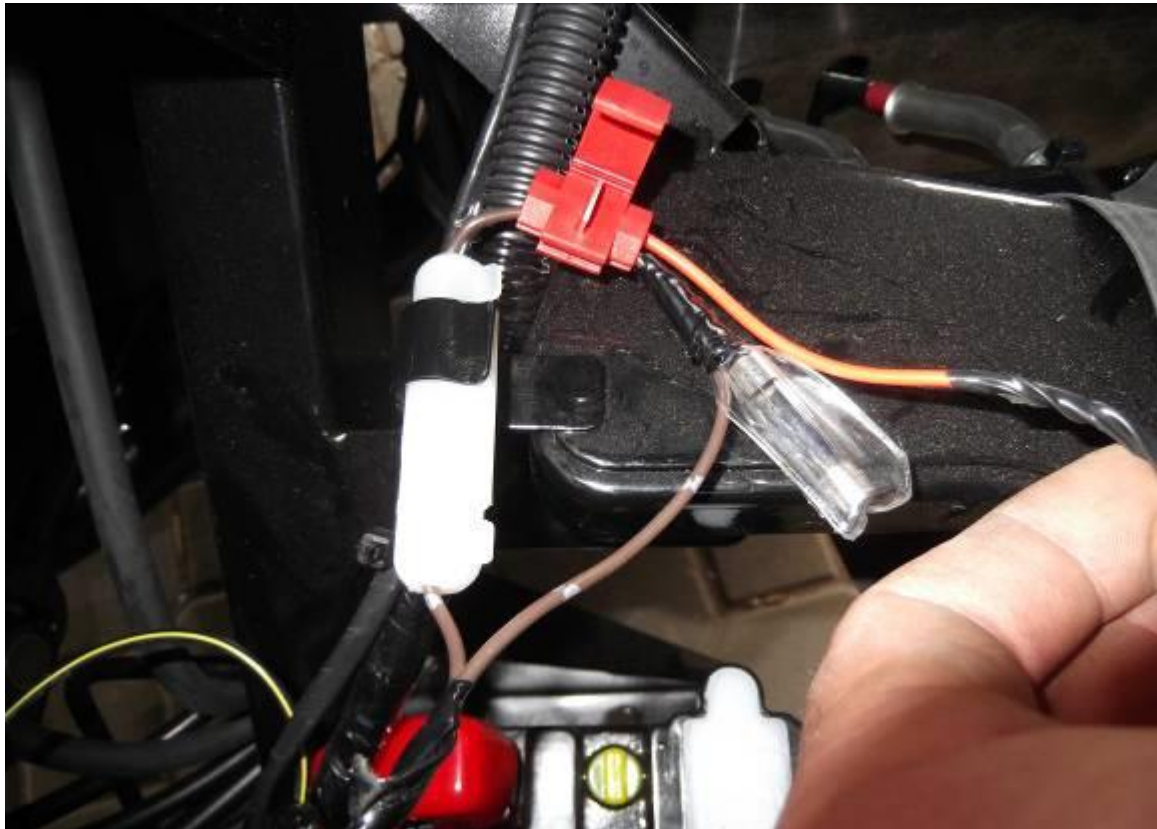
Lead the harness branches No.: 1 and 2 (red arrows) from the harness to the UTV's battery around original harness..



Connect the harness branch No.: 1 with battery "-".



Connect the harness branch No.: 2 with original cable near battery “+”.



Fill the washer liquid to the washer tank before first usage.