

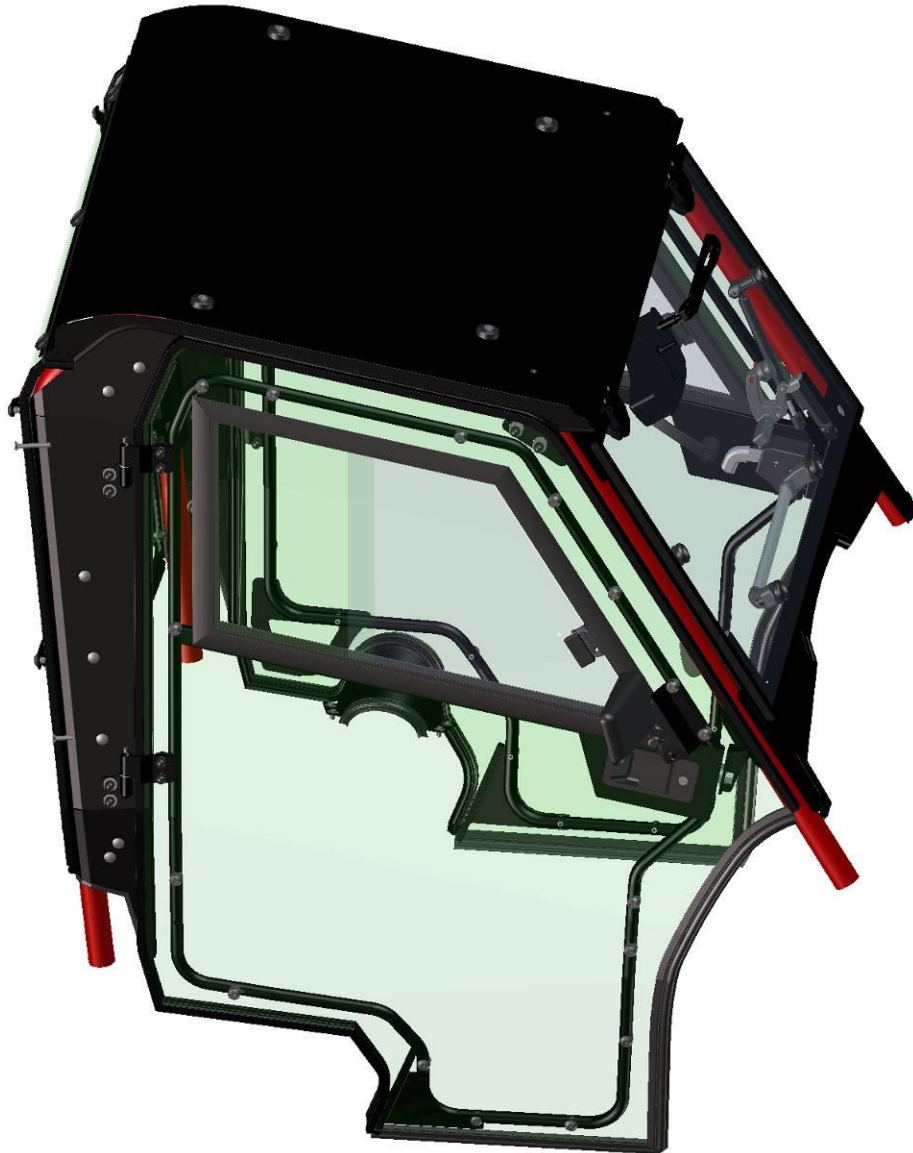
HardCabs

A DFK AMERICA COMPANY

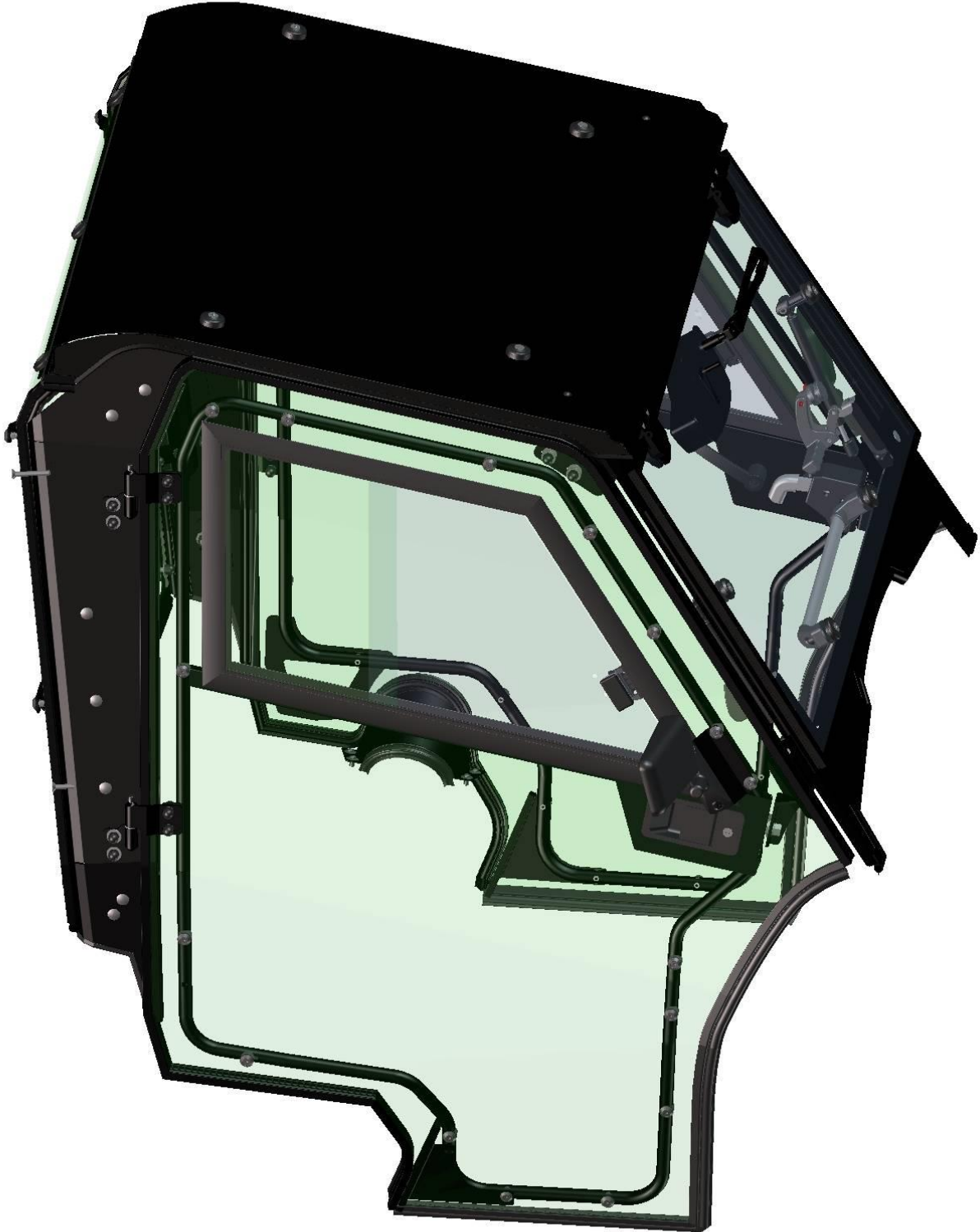
SPARE - PARTS CATALOG

JOHN DEERE

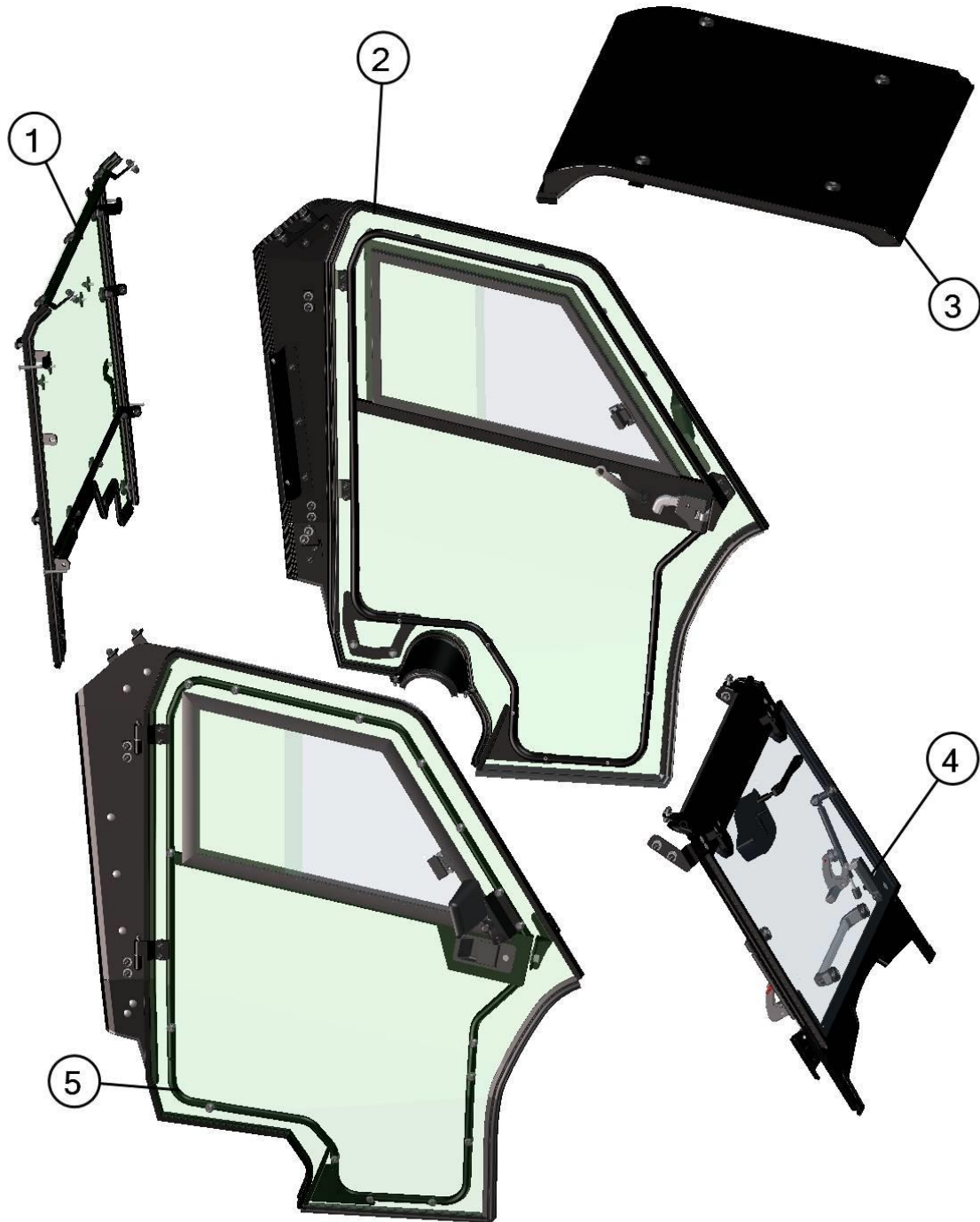
XUV 550 GATOR



CAB PREVIEW



2



Position	Catalogue no.	Description	Qty
1	57S02U01S20	REAR PANEL	1
2	57S02U01S40	LEFT DOOR	1
3	57S02U01S30	ROOF	1
4	57S02U01S10	FRONT PANEL MOVABLE	1
5	57S02U01S50	RIGHT DOOR	1

FRONT PANEL

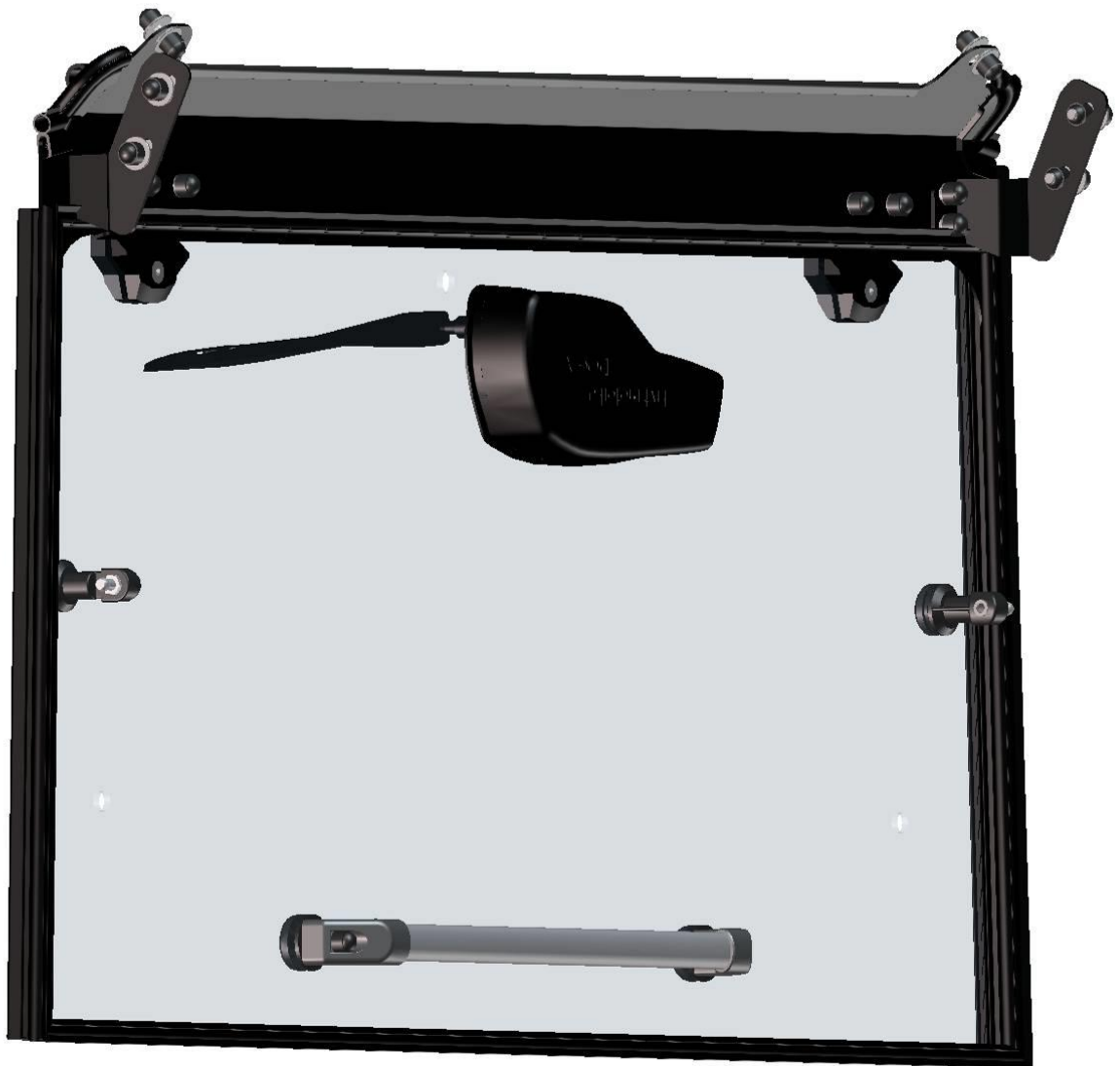




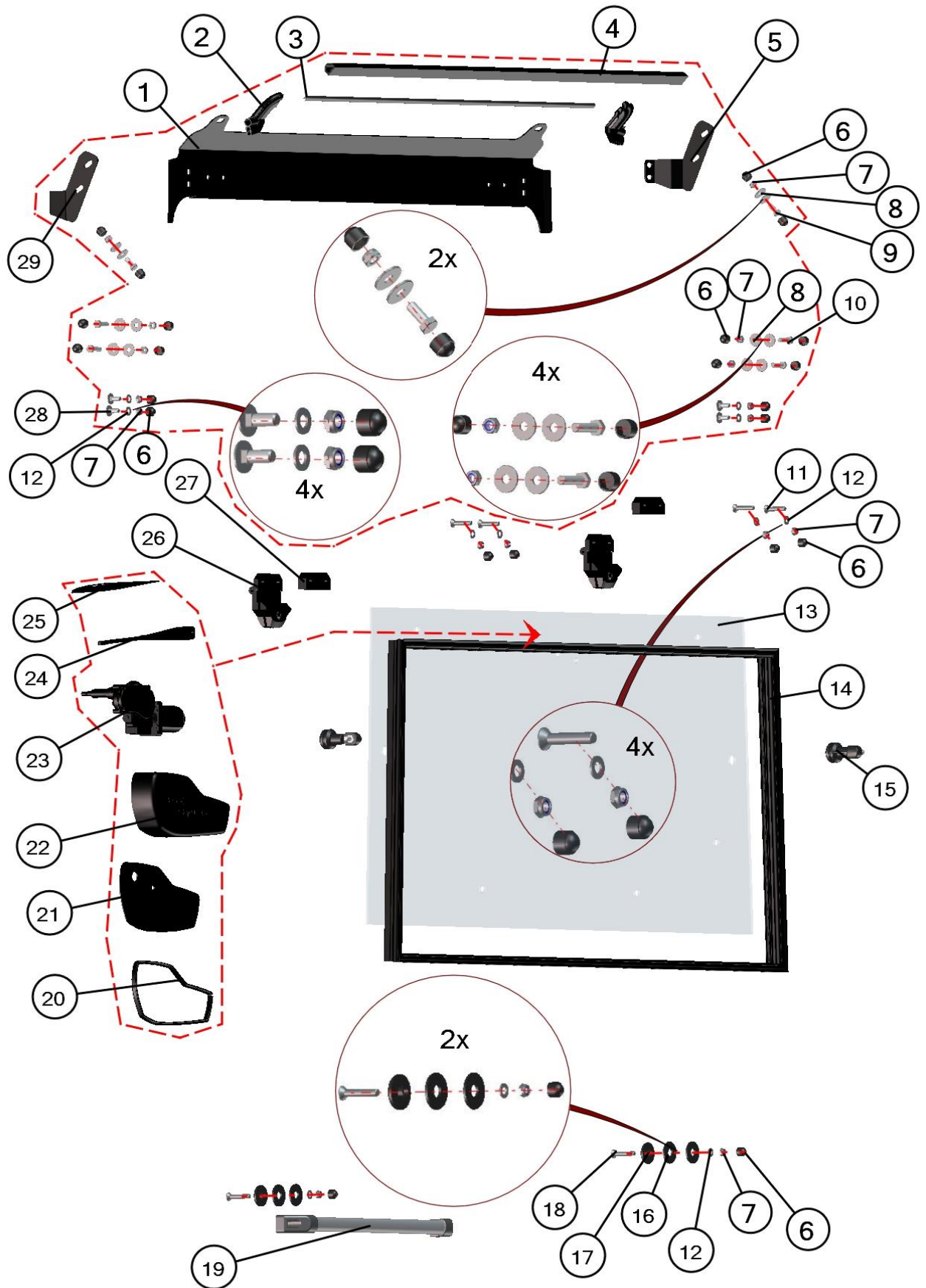
5

Position	Catalogue no.	Description	Qty
1	*****	FRONT UPPER ASSEMBLY	1
2	*****	FRONT BOTTOM ASSEMBLY	1

FRONT UPPER ASSEMBLY

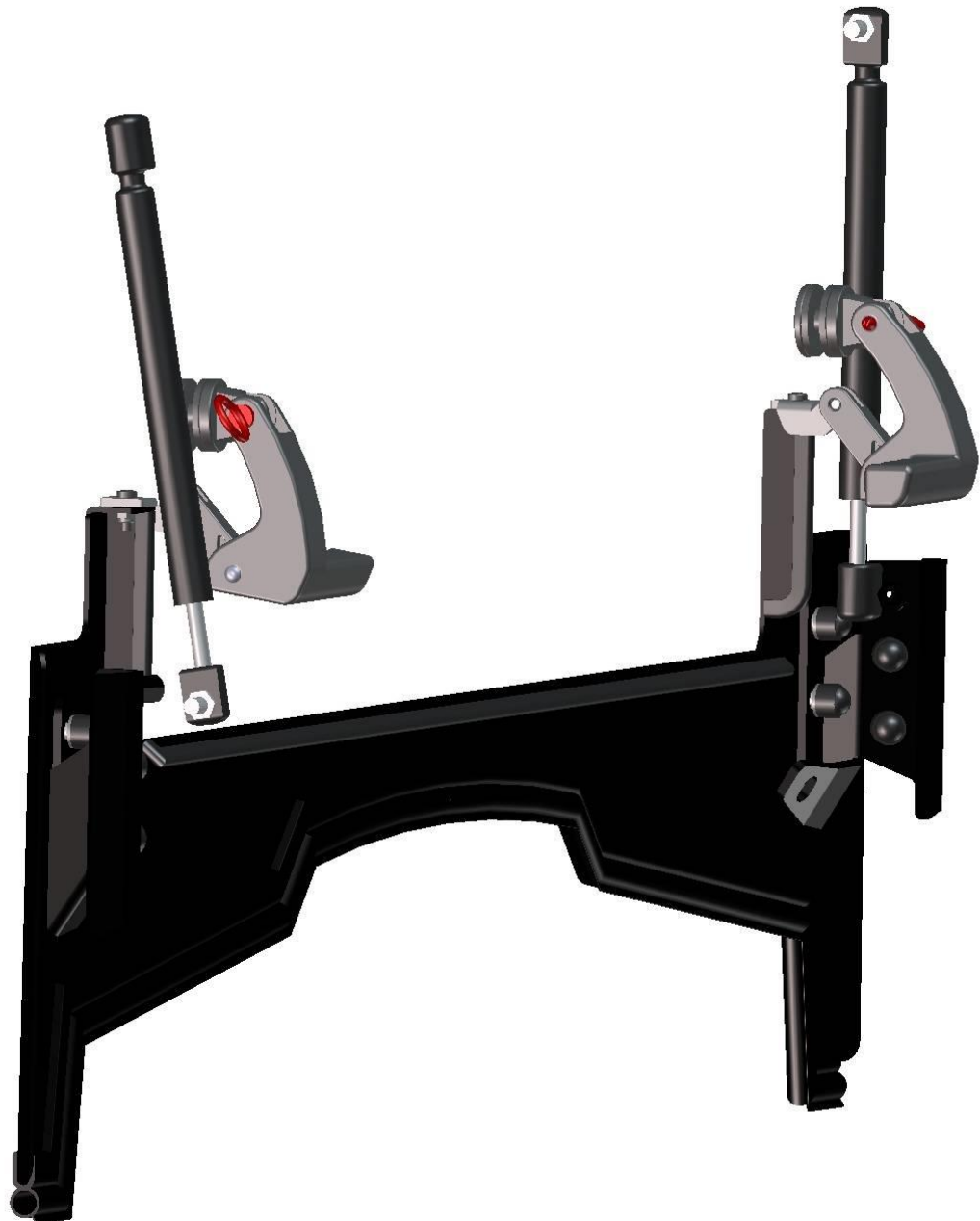


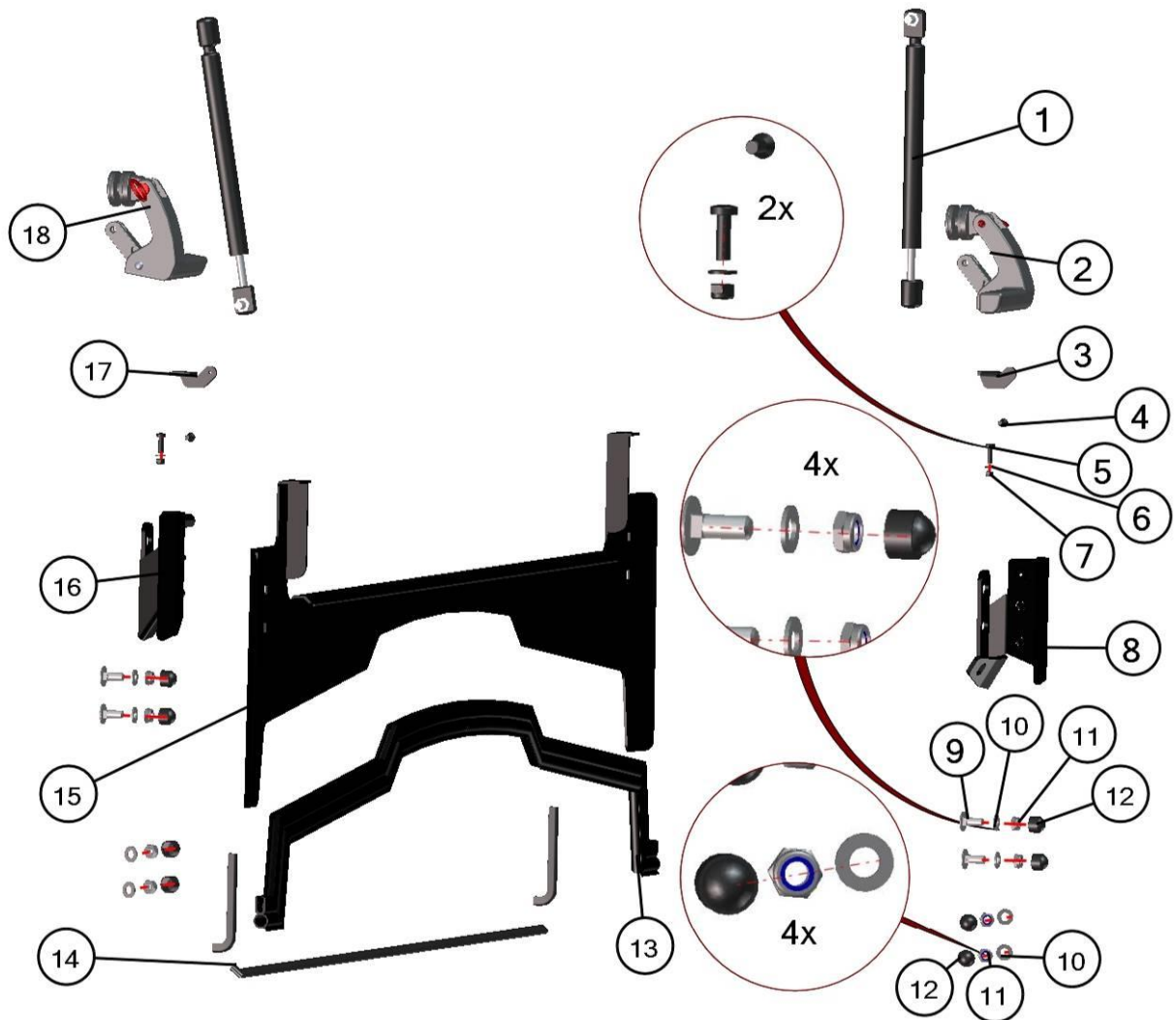
6



Position	Catalogue no.	Description	Qty
1	57S02U01-10-001	FRONT UPPER LEDGE	1
2	001005^57S02U01-10M003	RUBBER PROFILE "PIRELA STRAIGHT"	1
3	001001^57S02U01-10M003	RUBBER PROFILE "LEMOVKA"	1
4	001589^57S02U01-10M003	RUBBER PROFILE "APOLLO"	1
5	57S02U01-10-005	RIGHT FRONT UPPER HOLDER	1
6	001309	NUT COVER OK13	22
7	001388	SELF-LOCKING NUT M8	16
8	001407	WASHER 8 LARGE	12
9	001437	SCREW M8x20	2
10	001411	SCREW M8x30	4
11	002607	SCREW M8x40	4
12	001387	WASHER 8	10
13	57S02U01-10-002	FRONT GLASS	1
14	002557^57S02U01-10M001	RUBBER PROFILE "PIRELA G LONG"	1
15	001693	GAS SPRING HOLDER	2
16	001428	RUBBER WASHER 8	4
17	001429	PLASTIC WASHER 8	2
18	001694	SCREW M8x45	2
19	002496	FRONT HANDLE	1
20	001001^00-10M005	RUBBER PROFILE "LEMOVKA"	1
21	00-025E02	WIPER MOTOR LEDGE	1
22	001722	WIPER MOTOR COVER	1
23	002764	WIPER MOTOR 12V	1
24	002535	WIPER ARM	1
25	002537	WIPER LATCH	1
26	000862	WINDOW HINGE	2
27	000863	HINGES BASE	2
28	002575	SCREW M8x20	4
29	57S02U01-10-004	LEFT FRONT UPPER HOLDER	1

FRONT BOTTOM ASSEMBLY

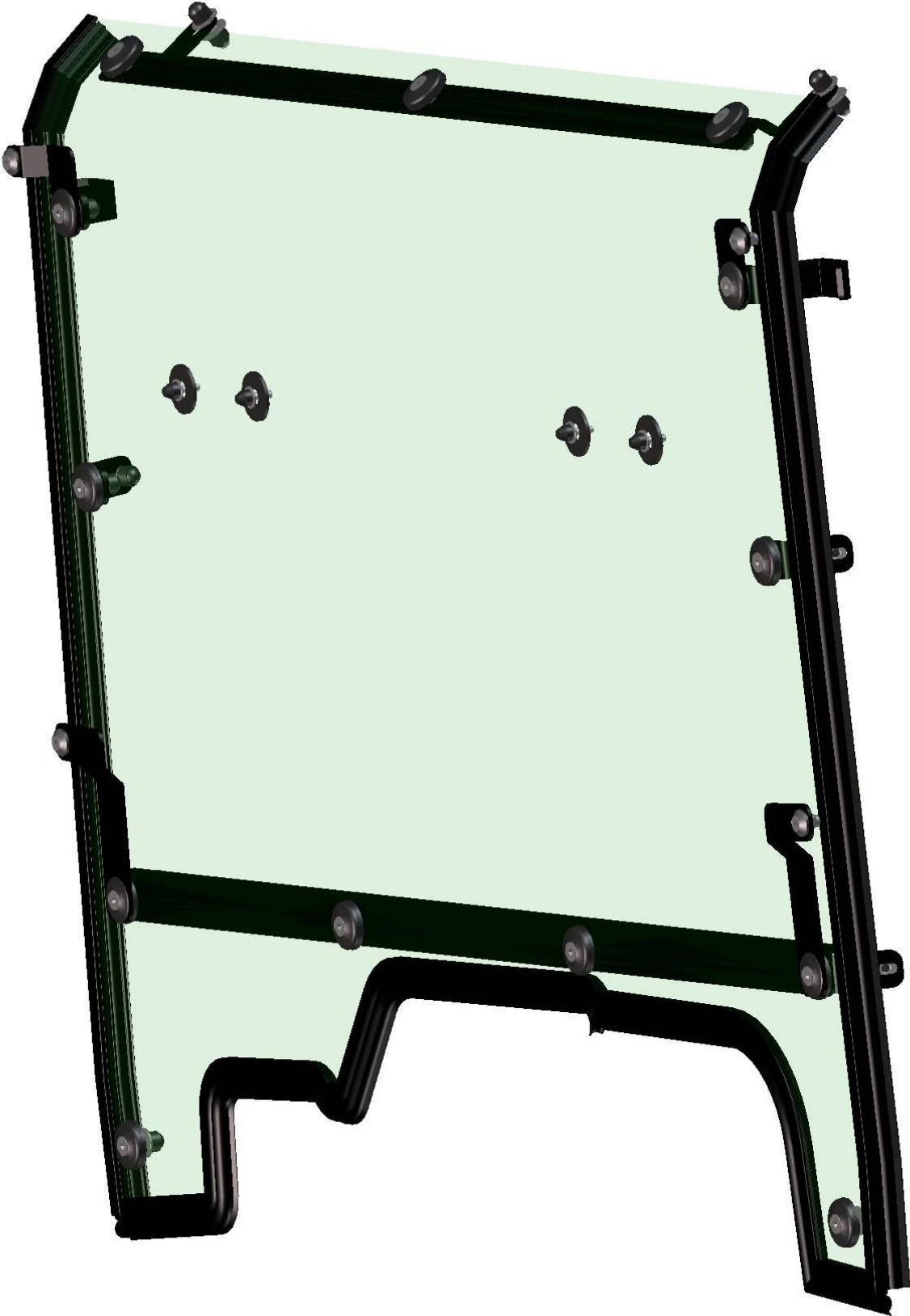


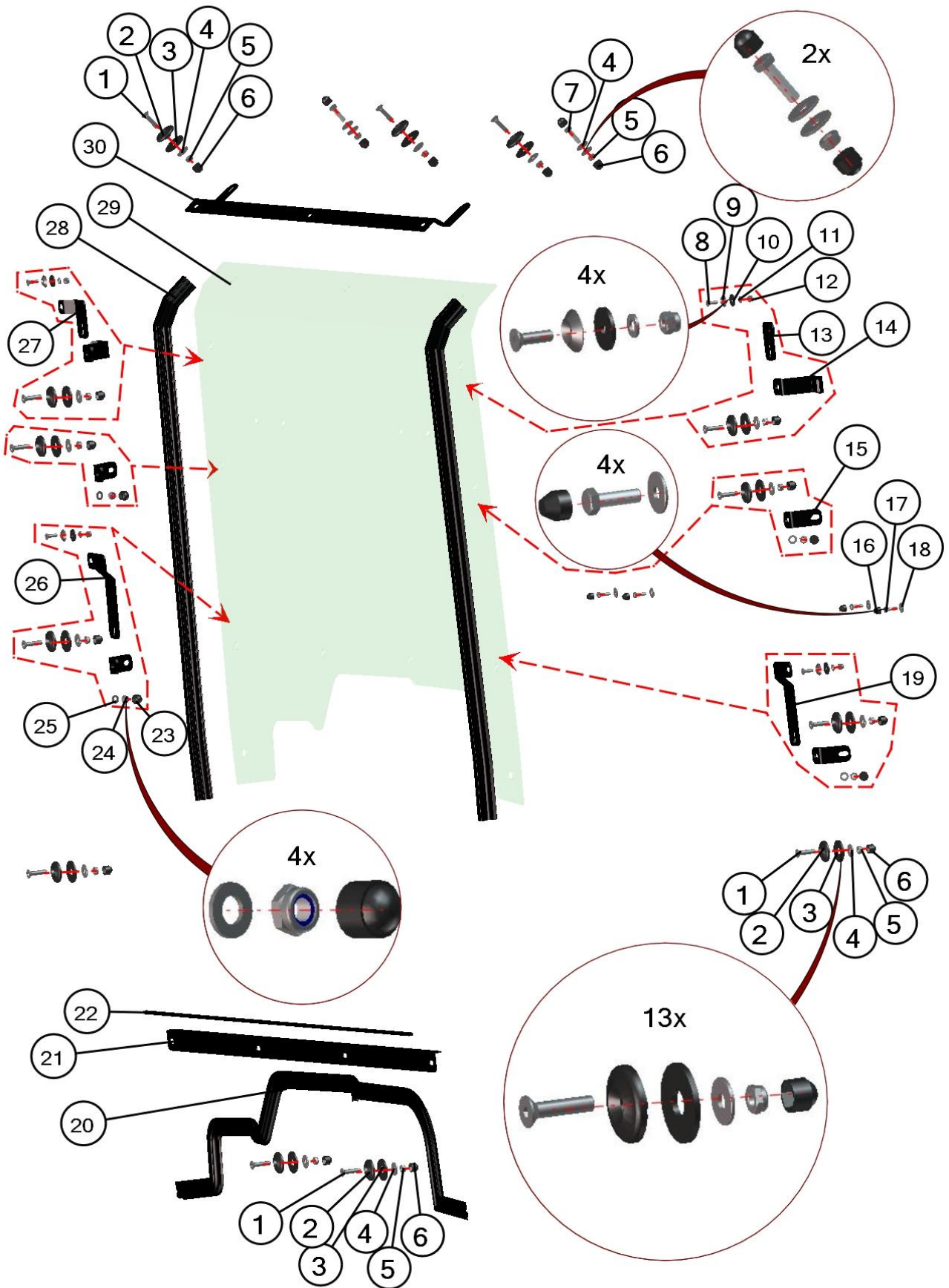


10

Position	Catalogue no.	Description	Qty
1	000865	GAS SPRING	2
2	002641	GLASS LOCK RIGHT	1
3	00-112U-005	GLASS LOCK HOLDER RIGHT	1
4	002397	SCREW M5x12	2
5	002367	SCREW M5x16	2
6	001484	WASHER 5	2
7	002265	SELF-LOCKING NUT M5	2
8	57S02U01-10W004	FRONT BOTTOM HOLDER RIGHT	1
9	002575	SCREW M8x20	4
10	001387	WASHER 8	8
11	001388	SELF-LOCKING NUT M8	8
12	001309	NUT COVER OK 13	8
13	001005^57S02U01-10M002	RUBBER PROFILE "PIRELA STRAIGHT"	1
14	001001^57S02U01-10M002	RUBBER PROFILE "LEMOVKA"	1
15	57S02U01-10W003	FRONT BOTTOM LEDGE	1
16	57S02U01-10W002	FRONT BOTTOM HOLDER LEFT	1
17	00-112U-004	GLASS LOCK HOLDER LEFT	1
18	002640	GLASS LOCK LEFT	1

REAR PANEL





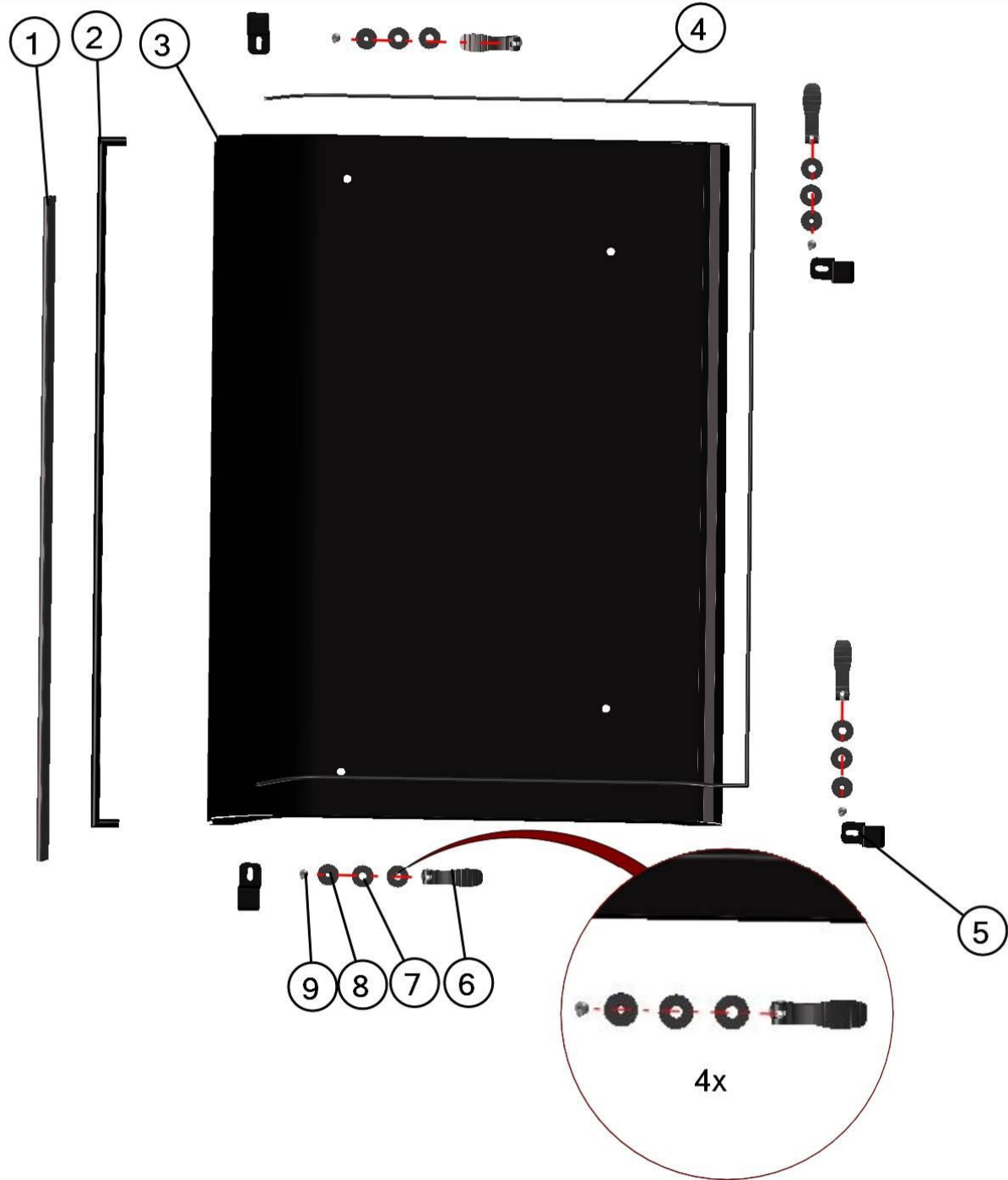
12

Position	Catalogue no.	Description	Qty
1	001760	SCREW M8x35	13
2	01429	PLASTIC WASHER 8	13
3	001428	RUBBER WASHER 8	13
4	001407	WASHER 8 LARGE	17
5	001388	SELF-LOCKING NUT M8	15
6	001309	PLASTIC NUT COVER OK 13	17
7	001411	SCREW M8x30	2
8	001443	SCREW M6x20	4
9	001715	PLASTIC WASHER 6	4
10	001735	RUBBER WASHER 6	4
11	001426	WASHER 6	4
12	001392	SELF-LOCKING NUT M6	4
13	57S02U01-20-008	RIGHT UPPER GRILL HOLDER	1
14	57S02U01-20-004	REAR UPPER HOLDER	2
15	57S02U01-20-002	REAR WINDOW HOLDER	4
16	001348	PLASTIC NUT COVER OK10	4
17	001398	SCREW M6x20	4
18	001337	WASHER 6 LARGE	4
19	57S02U01-20-009	RIGHT BOTTOM GRILL HOLDER	1
20	002051^57S02U01S20	RUBBER PROFILE "PIRELA S LONG"	1
21	57S02U01-20-005	REAR BOTTOM LEDGE	1
22	001001^57S02U01-20M003	RUBBER PROFILE "LEMOVKA"	1
23	001309	PLASTIC NUT COVER OK13	4
24	001388	SELF-LOCKING NUT M8	4
25	001387	WASHER 8	4
26	57S02U01-20-007	LEFT BOTTOM GRILL HOLDER	1
27	57S02U01-20-006	LEFT UPPER GRILL HOLDER	1
28	002454^57S02U01S20	RUBBER PROFILE "SARAZIN SIDE"	1
29	57S02U01-20-001	REAR WINDOW POLYCARBONATE	1
30	57S02U01-20-003	REAR UPPER LEDGE	1

ROOF



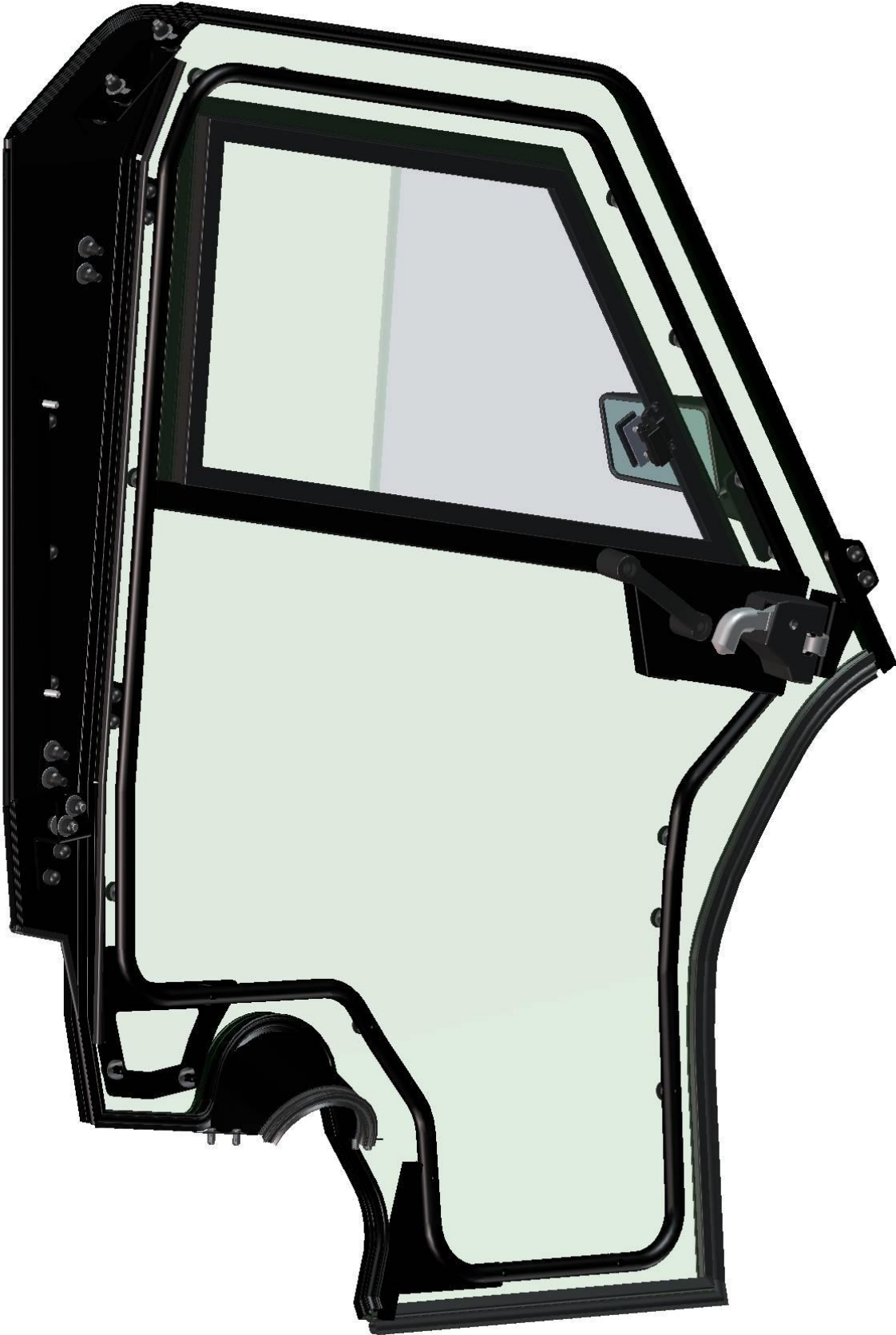
14



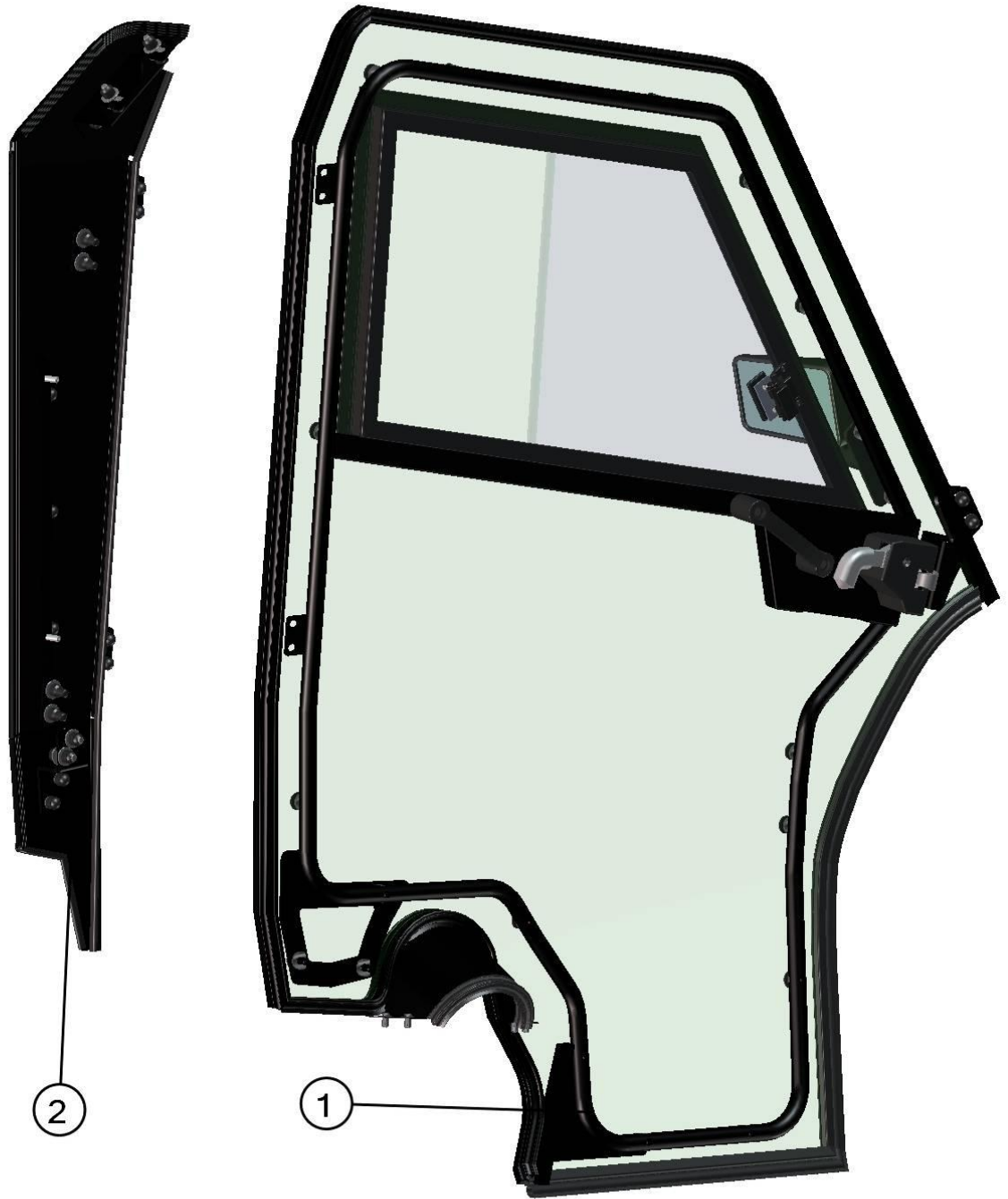
15

Position	Catalogue no.	Description	Qty
1	001005^57S02U01S30	RUBBER PROFILE "PIRELA STRAIGHT"	1
2	001005^57S02U01S30	RUBBER PROFILE "PIRELA STRAIGHT"	1
3	57S02U01-30W001	ROOF PANEL WELDED	1
4	001001^57S02U01S30	RUBBER PROFILE "LEMOVKA"	1
5	00-101U-004	ROOF HOLDER	4
6	002740	FAST-LOCK HOLDER	4
7	001428	RUBBER WASHER 8	8
8	001429	PLASTIC WASHER 8	4
9	001694	SCREW M8x45	4

LEFT DOOR



16

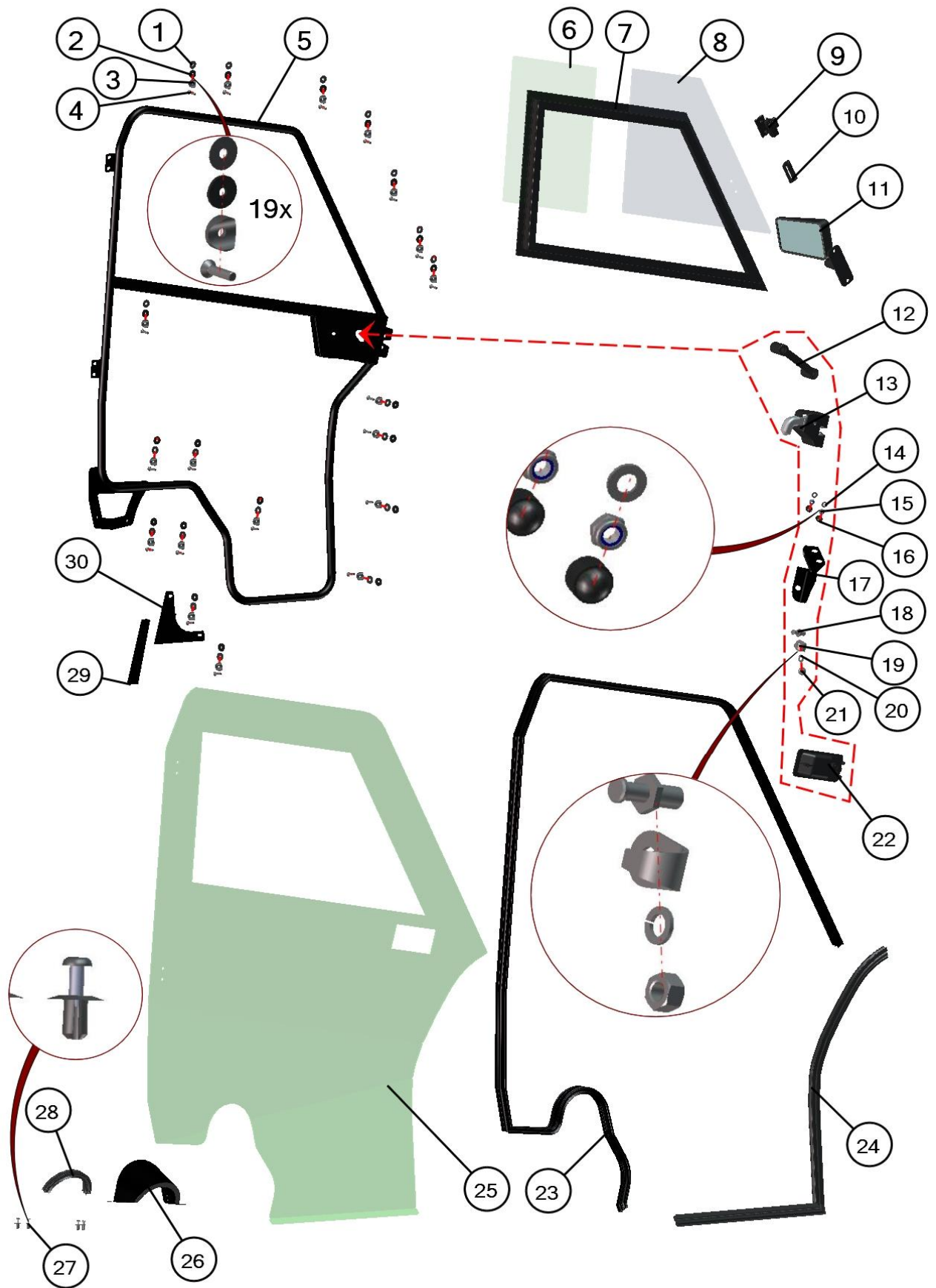


Position	Catalogue no.	Description	Qty
1	*****	LEFT DOOR ASSEMBLY	1
2	*****	LEFT DOOR BASE ASSEMBLY	1

LEFT DOOR ASSEMBLY

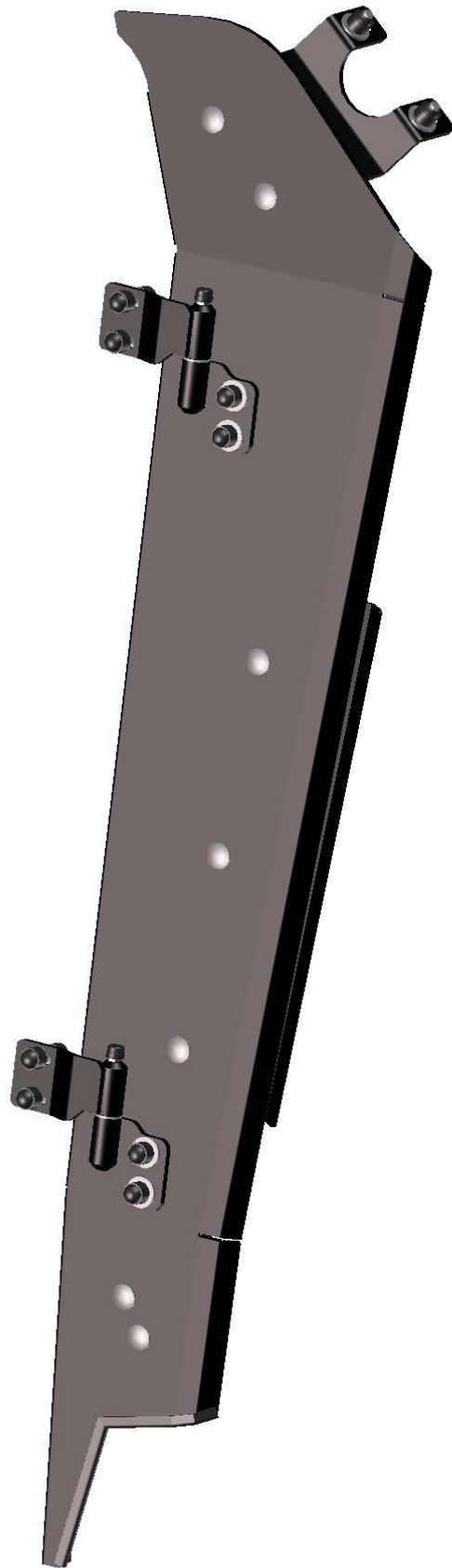


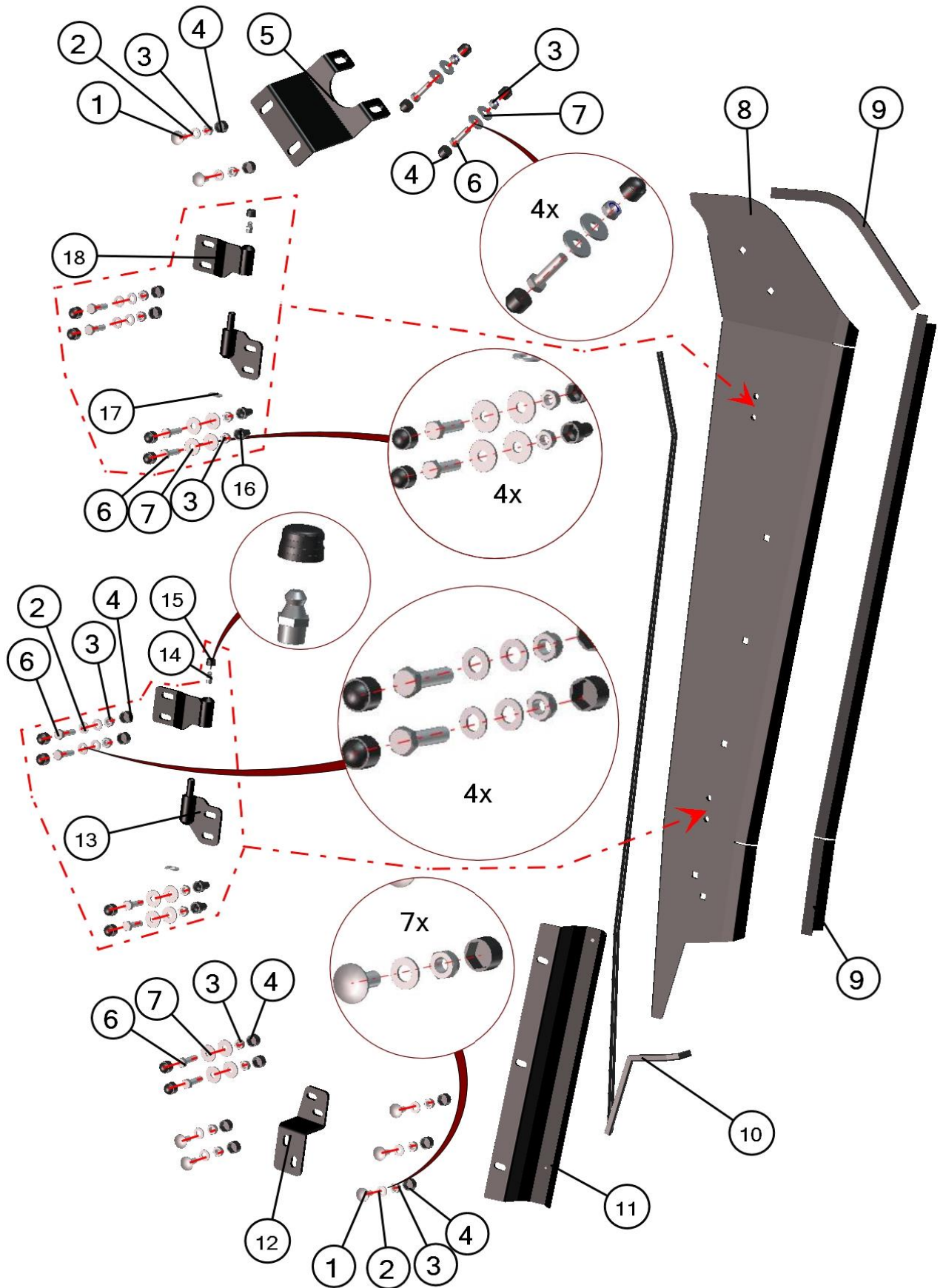
18



Position	Catalogue no.	Description	Qty
1	001715	PLASTIC WASHER 6	19
2	001735	RUBBER WASHER 6	19
3	001736	SEAT WASHER 6	19
4	002120	SCREW M6x25	19
5	57S02U01-40W002	LEFT DOOR FRAME WELDED	1
6	57S02U01-40-011	DOOR GLASS SOLID	1
7	57S02U01-40-10	LEFT WINDOW FRAME	1
8	57S02U01-40-012	DOOR GLASS MOVABLE	1
9	001700	GLASS LOCK	1
10	001762	GLASS STOP	1
11	002773	LEFT REAR MIRROR	1
12	001703	HANDLE	1
13	001743	LEFT INNER DOOR LOCK	1
14	001387	WASHER 8	2
15	001388	SELF-LOCKING NUT M8	2
16	001309	PLASTIC NUT COVER OK13	2
17	57S02U01-40W004	LEFT DOOR STOP HOLDER	1
18	000854	DOOR STOP PIN	1
19	000855	DOOR STOP HOOK	1
20	000857	DOOR STOP WASHER	1
21	000856	DOOR STOP NUT	1
22	000841	OUTER DOOR LOCK	1
23	002454^57S02U01S40	RUBBER PROFILE "SARAZIN SIDE"	1
24	002658^57S02U01S40	RUBBER PROFILE "PIRELA STRAIGHT G"	1
25	57S02U01-40-005	LEFT DOOR PANEL POLYCARBONATE	1
26	57S02U01-40W003	FUEL TANK HOLDER	1
27	002348	PLASTIC RIVET SCREW	4
28	001010^57S02U01-40M005	RUBBER PROFILE "SARAZIN"	1
29	57S02U01-40-019	BOTTOM DOOR EPDM	1
30	57S02U01-40-018	BOTTOM DOOR LEDGE	1

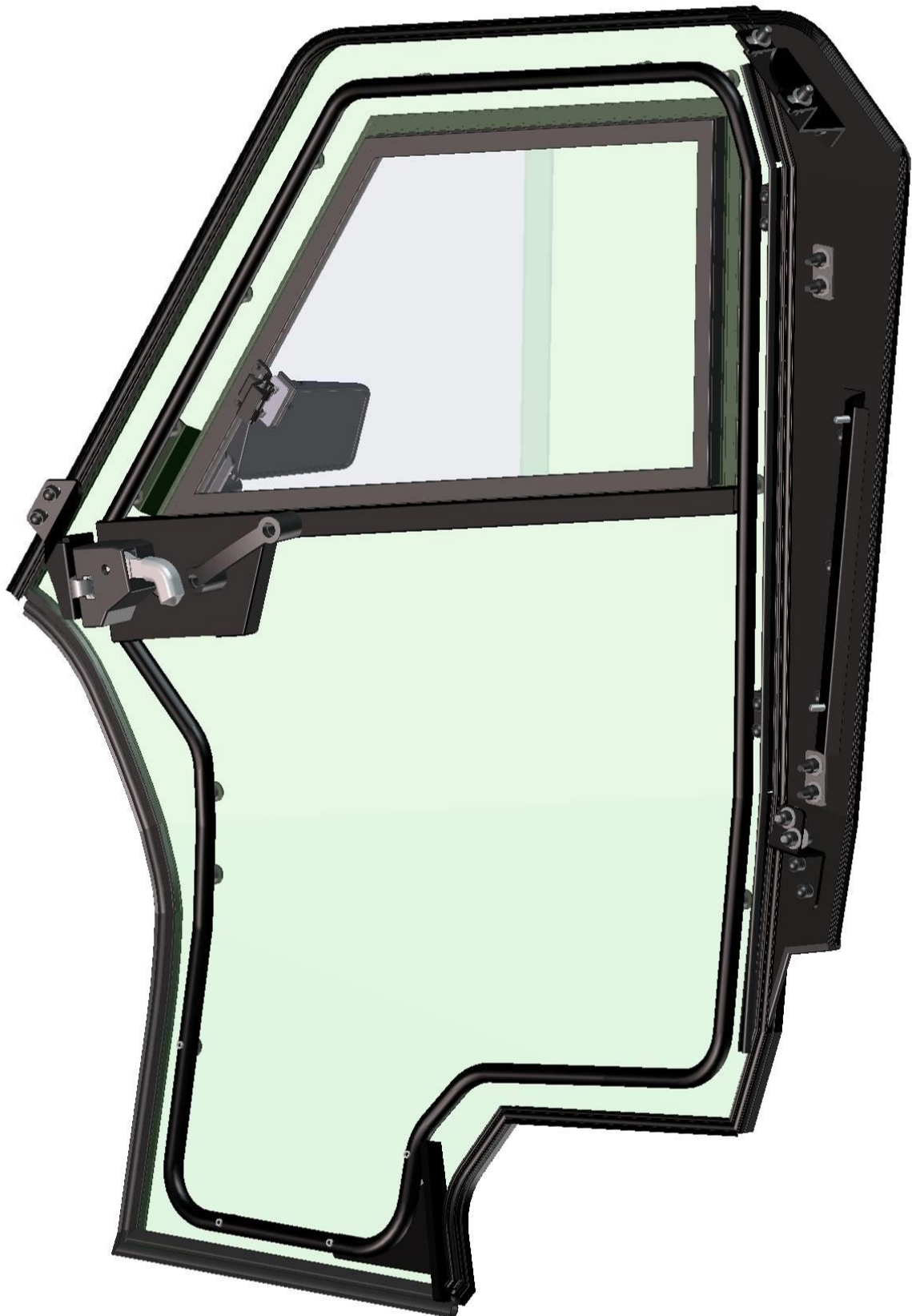
LEFT DOOR BASE WITH HINGES





Position	Catalogue no.	Description	Qty
1	001309	PLASTIC NUT COVER OK13	27
2	001388	SELF-LOCKING NUT M8	19
3	001387	WASHER 8	15
4	002575	SCREW M8x20	7
5	57S02U01-50-004	RIGHT BASE UPPER HOLDER	1
6	001411	SCREW M8x30	12
7	001407	WASHER 8 LARGE	16
8	57S02U01-50W001	RIGHT DOOR BASE WELDED	1
9	001771^57S02U01-50M001	RUBBER PROFILE "KR15x3"	1
10	001001^57S02U01-50M001	RUBBER PROFILE "LEMOVKA"	1
11	57S02U01-50W005	RIGHT MIDDLE BASE HOLDER	1
12	57S02U01-50-003	RIGHT BOTTOM BASE HOLDER	1
13	00-105-W003	RIGHT HINGE BASE	2
14	001485	WASHER 10	2
15	001430	LUBRICATOR	2
16	001431	LUBRICATOR COVER	2
17	001308	PLASTIC NUT COVER OK13 LONG	4
18	57S02U01-50W006	RIGHT HINGE DOOR	2

RIGHT DOOR



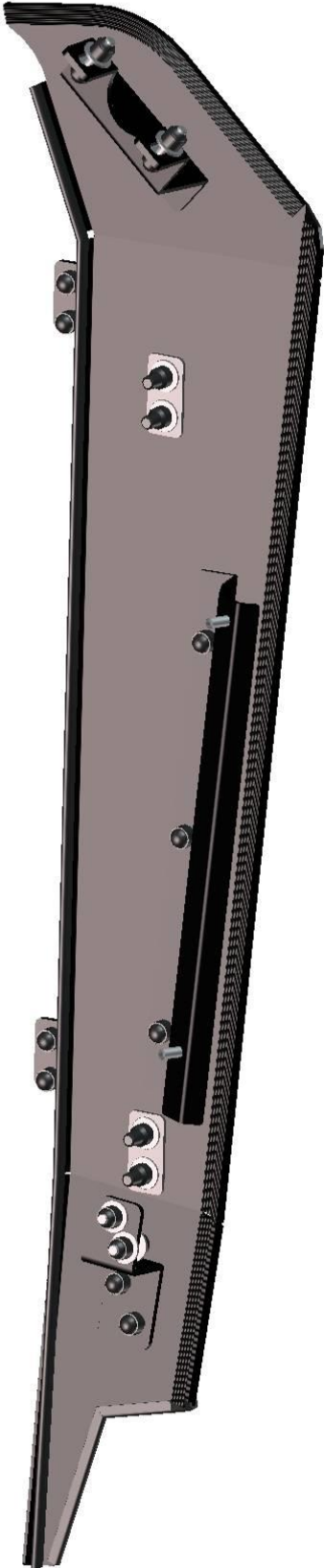
24

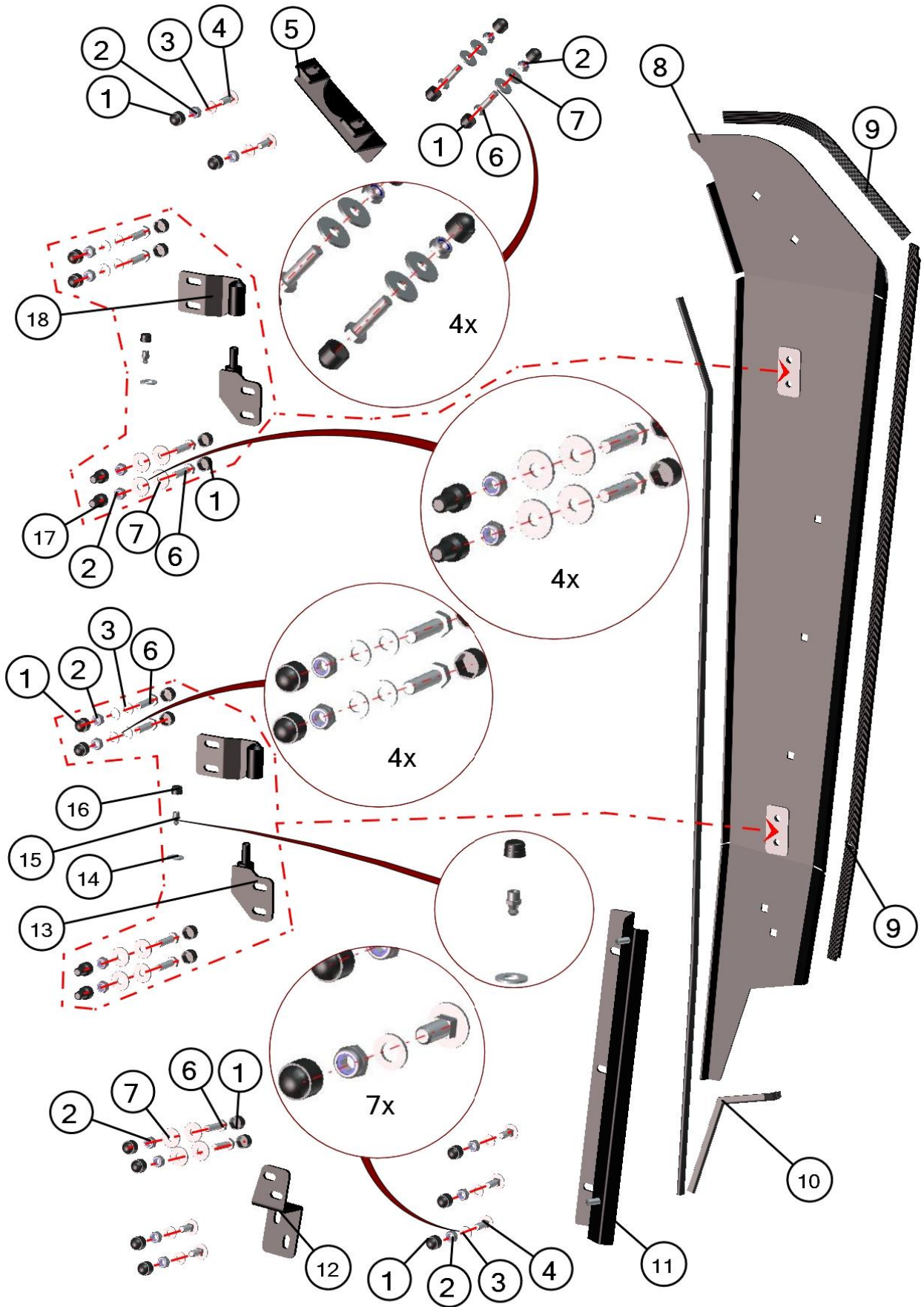


25

Position	Catalogue no.	Description	Qty
1	*****	RIGHT DOOR BASE ASSEMBLY	1
2	*****	RIGHT DOOR ASSEMBLY	1

RIGHTR DOOR BASE WITH HINGES



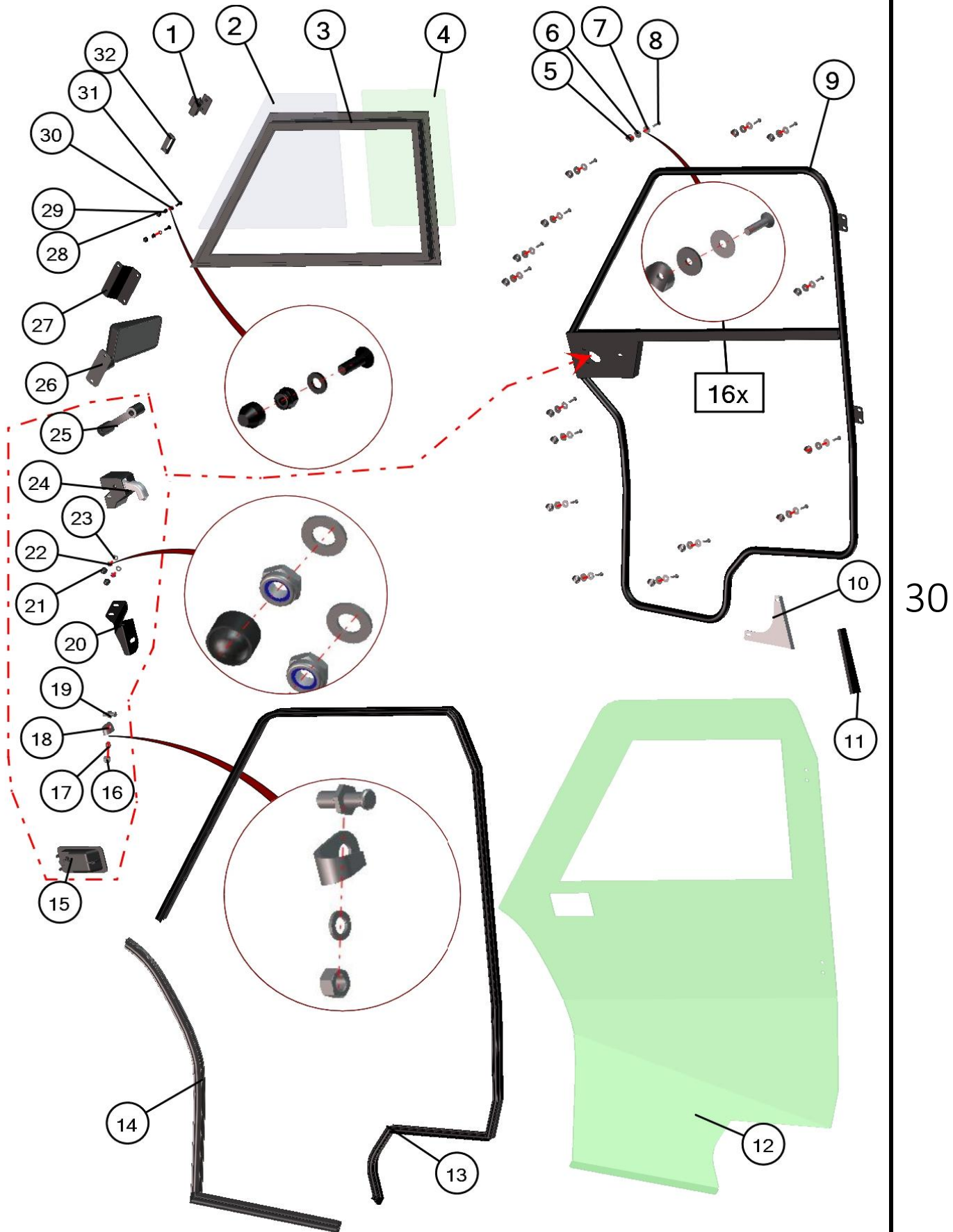


Position	Catalogue no.	Description	Qty
1	001309	PLASTIC NUT COVER OK13	27
2	001388	SELF-LOCKING NUT M8	19
3	001387	WASHER 8	15
4	002575	SCREW M8x20	7
5	57S02U01-50-004	RIGHT BASE UPPER HOLDER	1
6	001411	SCREW M8x30	12
7	001407	WASHER 8 LARGE	16
8	57S02U01-50W001	RIGHT DOOR BASE WELDED	1
9	001771^57S02U01-50M001	RUBBER PROFILE "KR15x3"	1
10	001001^57S02U01-50M001	RUBBER PROFILE "LEMOVKA"	1
11	57S02U01-50W005	RIGHT MIDDLE BASE HOLDER	1
12	57S02U01-50-003	RIGHT BOTTOM BASE HOLDER	1
13	00-105-W003	RIGHT HINGE BASE	2
14	001485	WASHER 10	2
15	001430	LUBRICATOR	2
16	001431	LUBRICATOR COVER	2
17	001308	PLASTIC NUT COVER OK13 LONG	4
18	57S02U01-50W006	RIGHT HINGE DOOR	2

RIGHT DOOR ASSEMBLY



29



Position	Catalogue no.	Description	Qty
1	001700	GLASS LOCK	1
2	57S02U01-40-012	DOOR GLASS MOVABLE	1
3	57S02U01-50-010	RIGHT DOOR WINDOW FRAME	1
4	57S02U01-40-011	DOOR GLASS SOLID	1
5	001736	SEAT WASHER 6	16
6	001735	RUBBER WASHER 6	16
7	001715	PLASTIC WASHER 6	16
8	002120	SCREW M6x25	16
9	57S02U01-50W002	RIGHT DOOR FRAME	1
10	57S02U01-50-018	RIGHT DOOR BOTTOM LEDGE	1
11	57S02U01-40-019	DOOR BOTTOM EPDM	1
12	57S02U01-50-005	RIGHT DOOR PANEL POLYCARBONATE	1
13	002454^57S02U01S50	RUBBER PROFILE "SARAZIN SIDE"	1
14	002658^57S02U01S50	RUBBER PROFILE "PIRELA G STRAIGHT"	1
15	000841	OUTER DOOR LOCK	1
16	000856	DOOR STOP NUT	1
17	000857	DOOR STOP WASHER	1
18	000855	DOOR STOP HOOK	1
19	000854	DOOR STOP PIN	1
20	57S02U01-50W004	RIGHT DOOR STOP HOLDER	1
21	001309	PLASTIC NUT COVER OK 13	2
22	001388	SELF-LOCKING NUT M8	2
23	001387	WASHER 8	2
24	001744	RIGHT INNER DOOR LOCK	1
25	001703	HANDLE	1
26	002774	RIGHT REAR MIRROR	1
27	00-109U-002	MIRROR HOLDER	1
28	001348	PLASTIC NUT COVER OK 10	2
29	001392	SELF-LOCKING NUT M6	2
30	001426	WASHER 6	2
31	001443	SCREW M6x20	2
32	001762	GLASS STOP	1

ELECTROINSTALLATION

Position	Catalogue no.	Description	Qty
1	000968	SWITCH WIPER /WASHER /OFF	1
2	000885	WASHER TANK	1
3	001576	WASHER MOTOR	1
4	002764	WIPER MOTOR 12V	1
5	57S02U01-01M001	HARNESS	1
6	000881	WASHER TUBE	1



Position : 1
Catalogue no.: 000968

Position : 2
Catalogue no.: 000885

Position : 3
Catalogue no.: 001576



Position : 4
Catalogue no.: 002764

Position : 5
Catalogue no.: 57S02U01-01M001

Position : 6
Catalogue no.: 000881