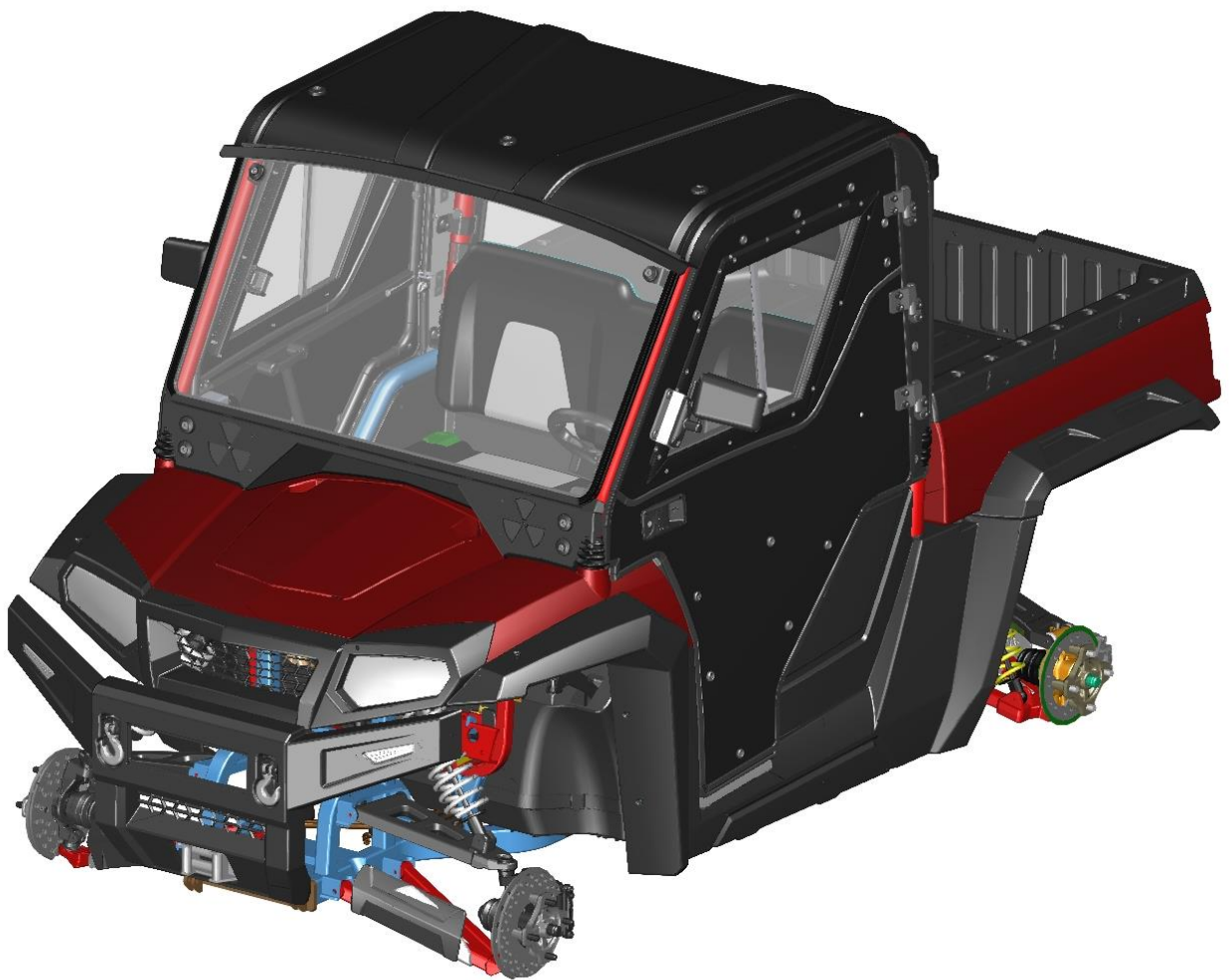


HardCabs

A DFK AMERICA COMPANY

INSTALLATION INSTRUCTIONS

HISUN Sector 1000



SAFETY INSTRUCTIONS

Warning: Failure to heed all safety and operating instructions and warnings regarding use of this product can result in serious bodily injury.

READ PROPERLY COMPLETE ASSEMBLY INSTRUCTIONS BEFORE STARTING OF ASSEMBLY

Install all parts indicated in assembly instructions. Failure to fully assemble product before use could result in personal injury.

Assembly of product requires use of hand or power tools. If you are not experienced in using these types of tools, have product dealer do the install for you.

Some parts contain sharp edges, wear protective gloves if necessary.

Always keep your assembly area clean, uncluttered and well lit.

Keep visitors and children a safe distance away from the assembly area. Visitors should wear the same safety equipment described under.

Never operate your UTV with the cab doors open. Failure to properly latch the doors before moving the vehicle could result in serious injury.

Dress for safety. DO NOT wear loose clothing, gloves, neckties or jewelry if using power tools to assemble this product.

Insert all nut covers after you finish installation.

Never drive your UTV with the cab front window in open position. Failure to properly latch/lock front window before driving the vehicle could result in serious injury.

Please be careful not to break the plastic washers, if you're tightening screws with plastic washers use max torque of 3.7 foot-pound force (5 Nm)!!!

WARNING: For safety purposes, if the DFK Cab doors are removed, it is mandatory that the OEM manufactured Half Doors or Nets are **REINSTALLED** before operating the vehicle.

MAINTENANCE AND CLEANING

To clean polycarbonate surface use soapy water solution or other subtle means.

Dirt and dust wash by gently water stream and swipe only with wet or damp means in the direction from top to bottom.

The recommended frequency of cleaning of polycarbonate part is about 1 time per month or according to the actual degree of pollution.

*Do not use detergents that could scratch the surface plates.
(abrasives, harsh fabrics, etc.)*

*Do not use solvents or alkaline detergents or cleaners with ammonia
(ammonium hydroxide).*

Do not remove the impurities from the surface of the razor blades or other sharp items.

Do not clean cab when the polycarbonate plates are heated by the sun.

Do not use the squeegee, it could be scratched surface plates.

Do not clean the water current strength greater than 50 bar (WAP)

The manufacturer is not responsible for scratching the surface in case of failure to comply with the above instructions.

All bolted connections of cab must be by user at regular intervals checked and tightened.

PREPARATION FOR INSTALLATION:

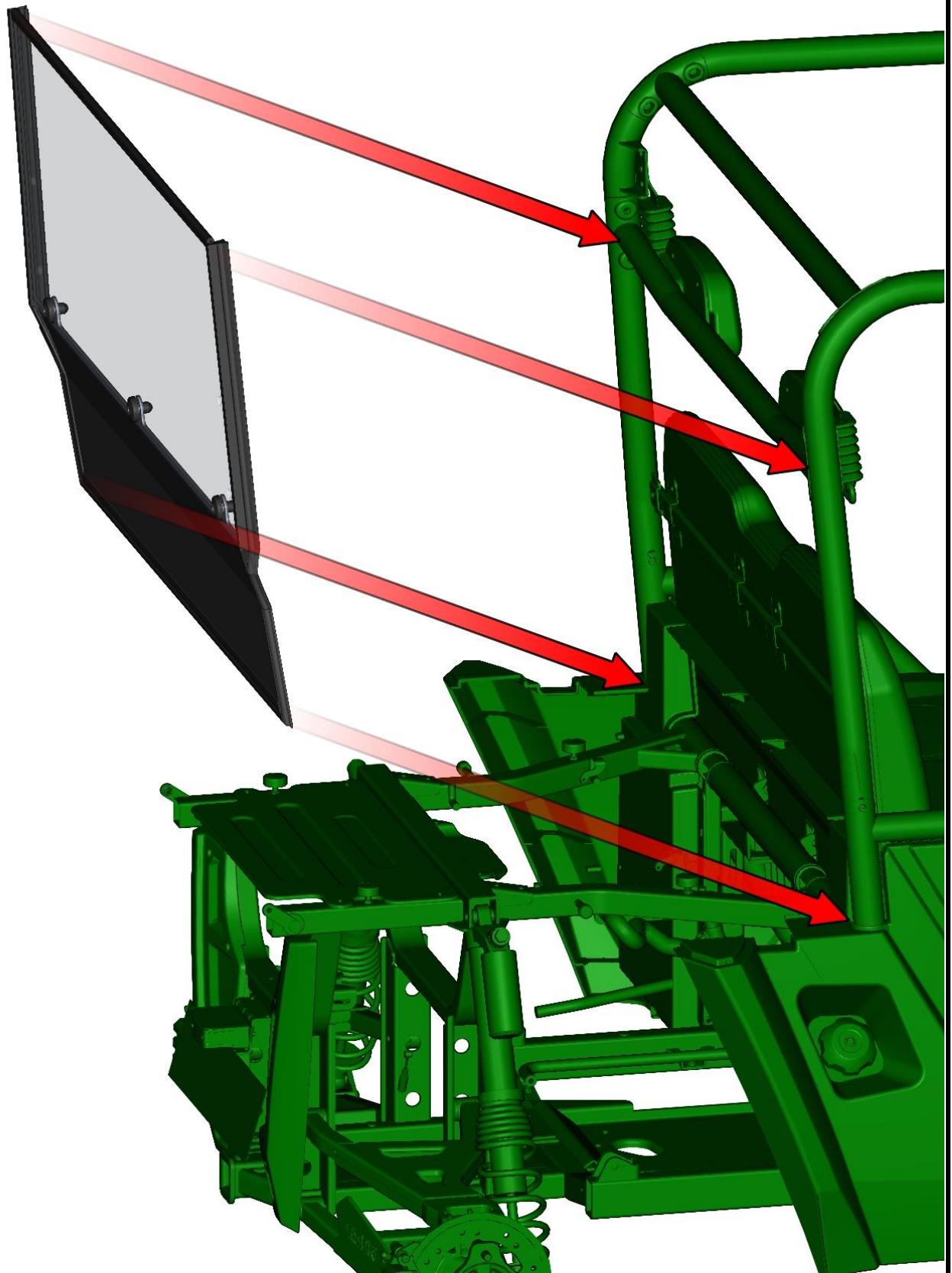
Uninstall all additional systems from the roller cages (work lights, rear mirrors, drink holders etc.)

[CAB PREVIEW](#)



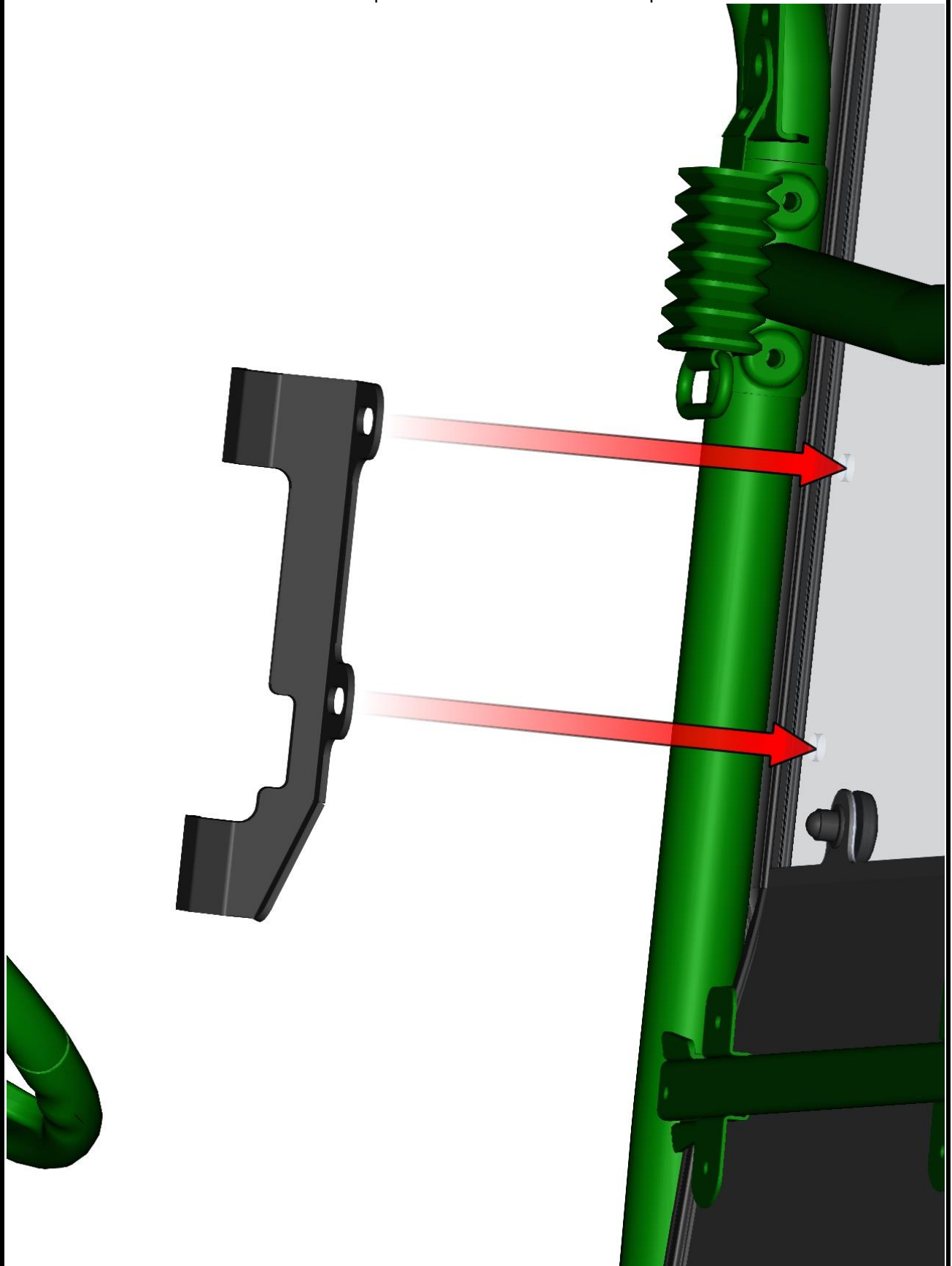
REAR PANEL

Place and align the rear panel into the correct position.

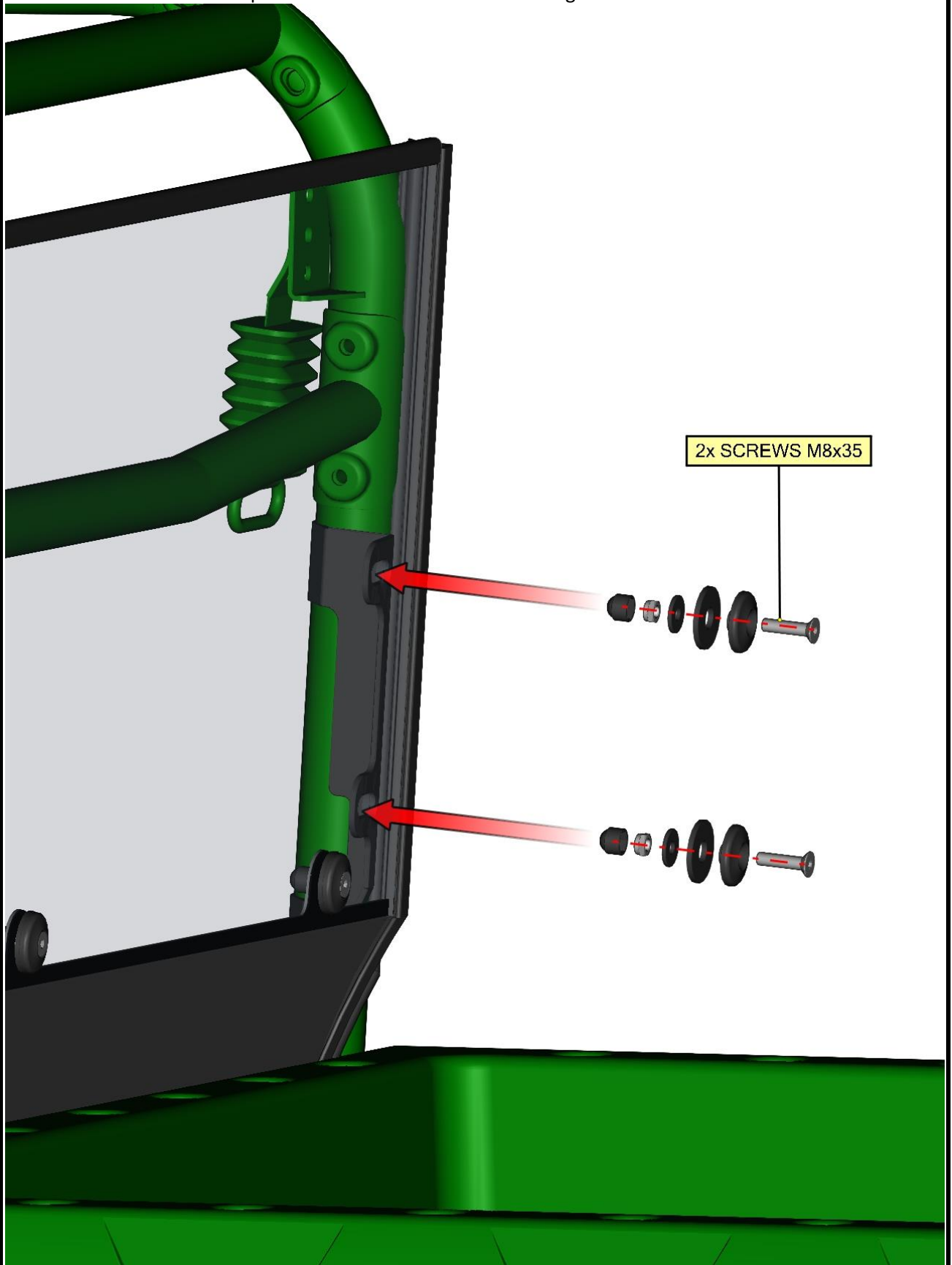


5

Place the rear panel side holder onto the rear panel.

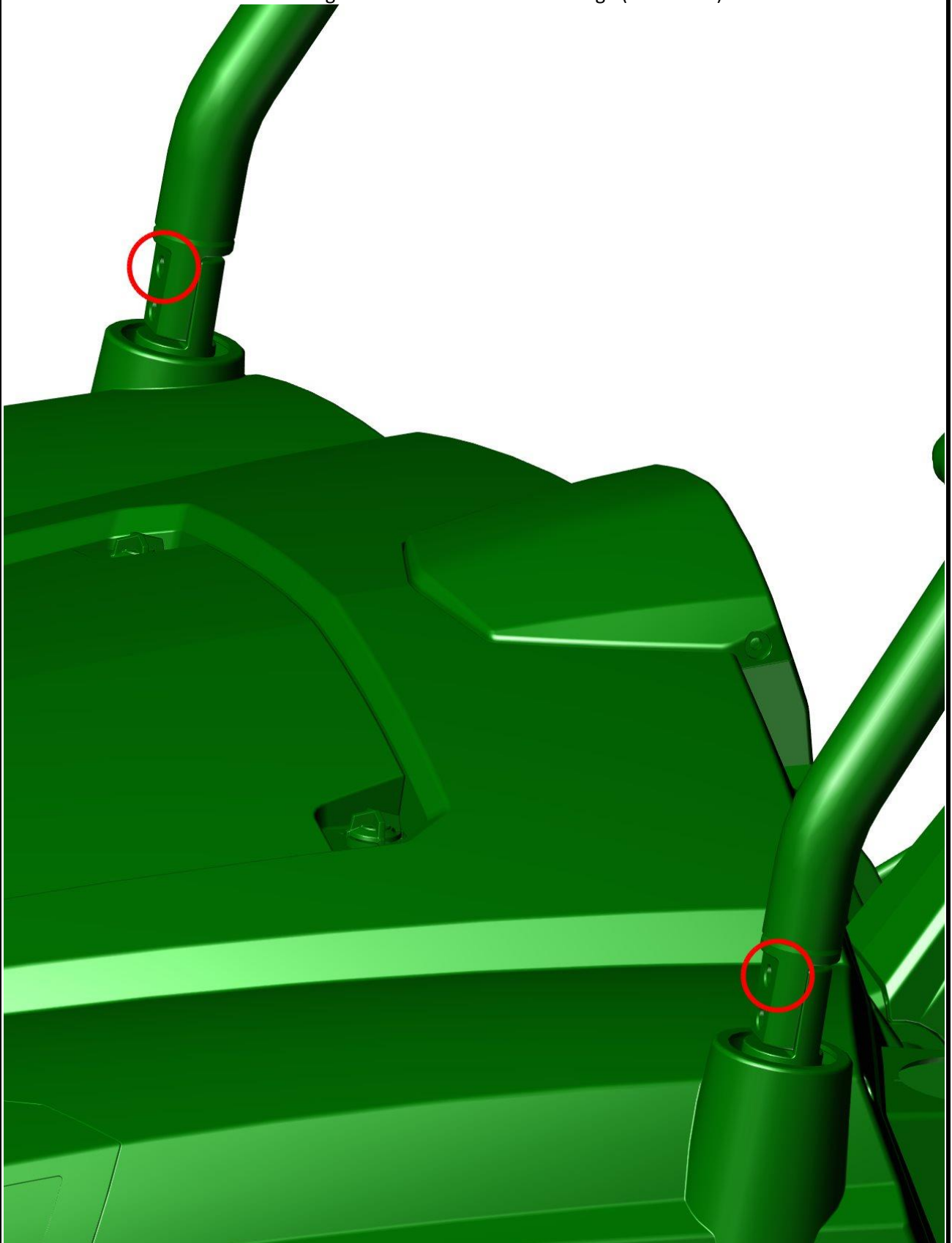


Fix the rear panel side holder with included fixing assemblies on both sides.

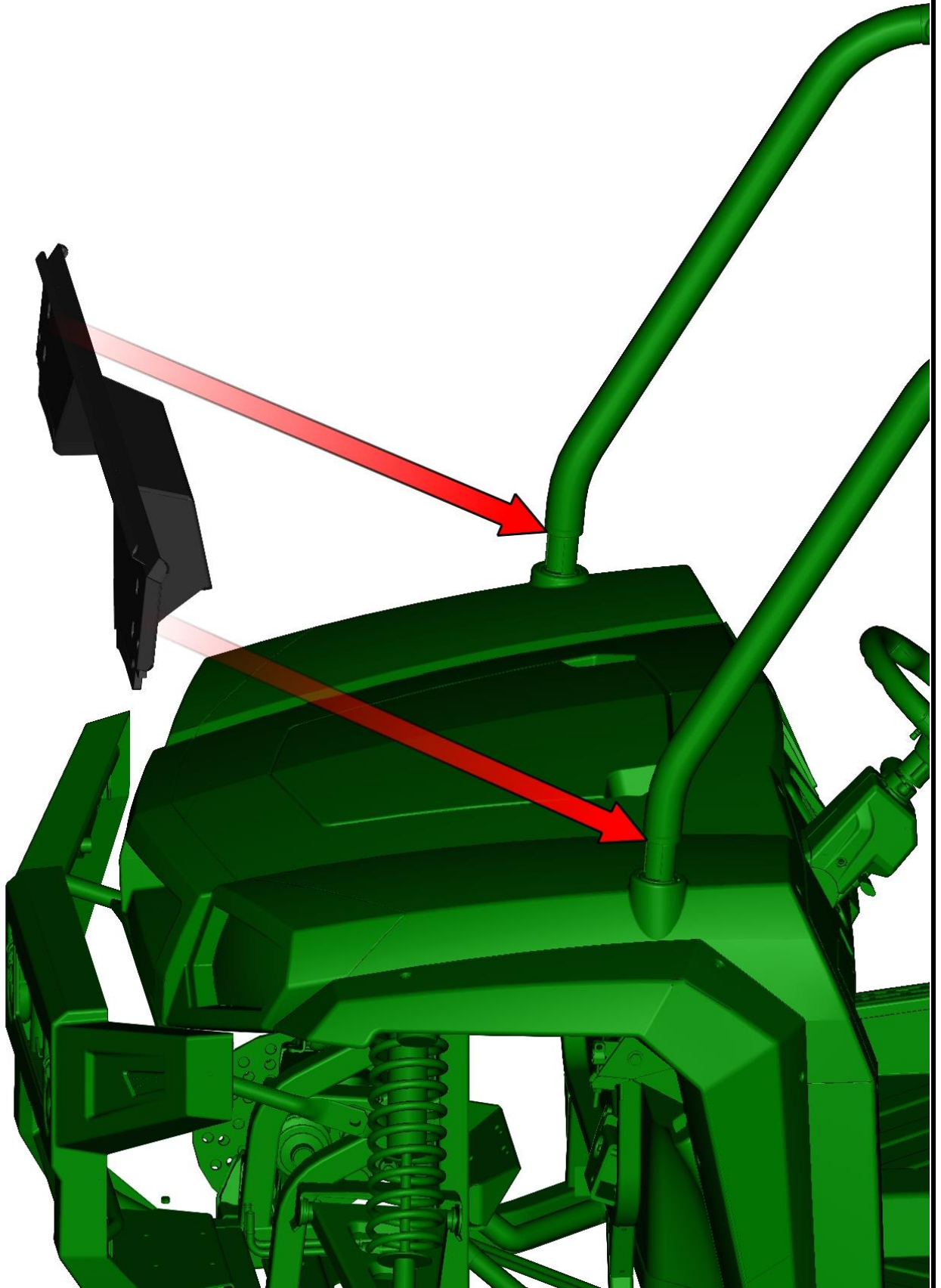


FRONT PANEL

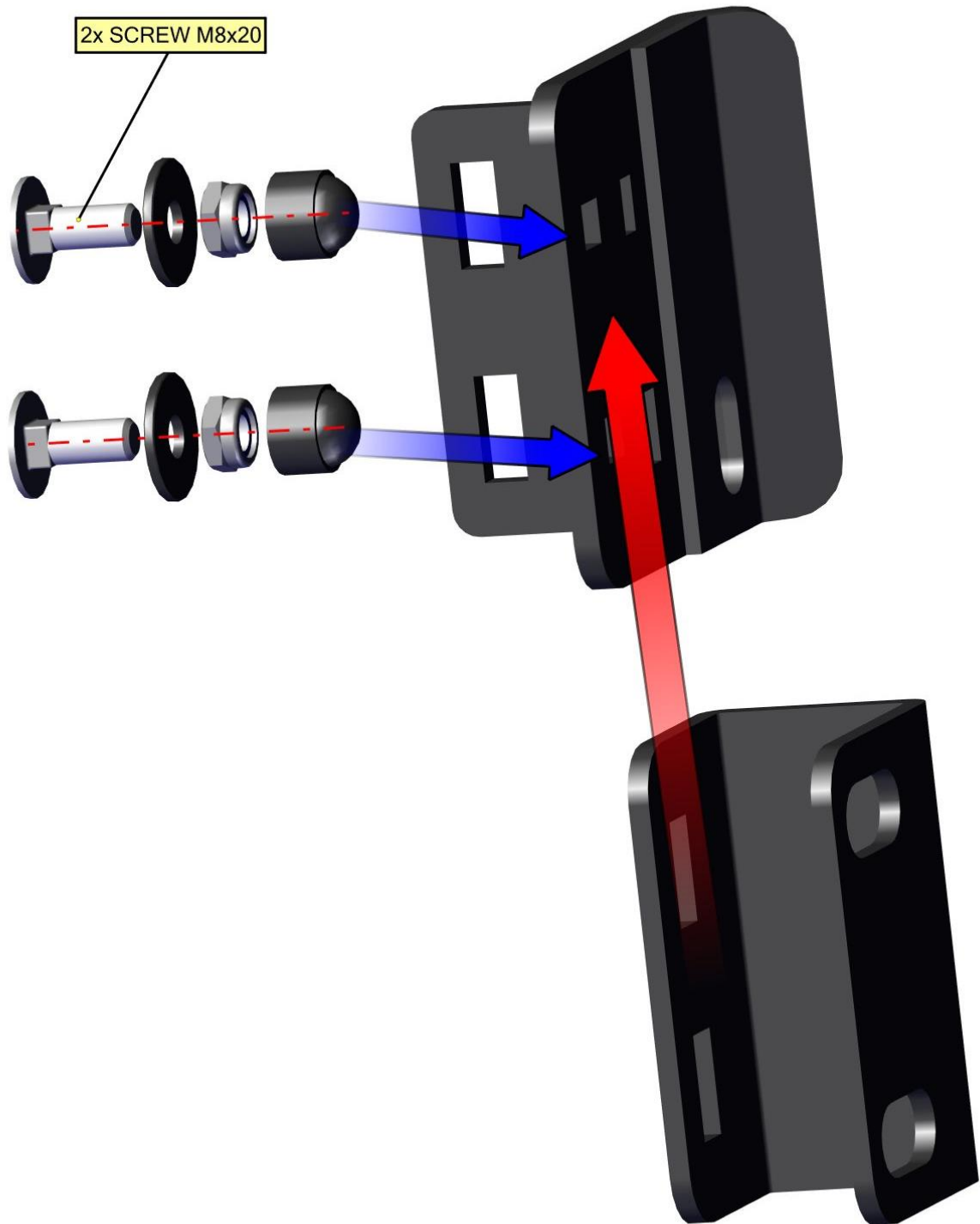
Uninstall original screws from UTV roller cage (red circles).



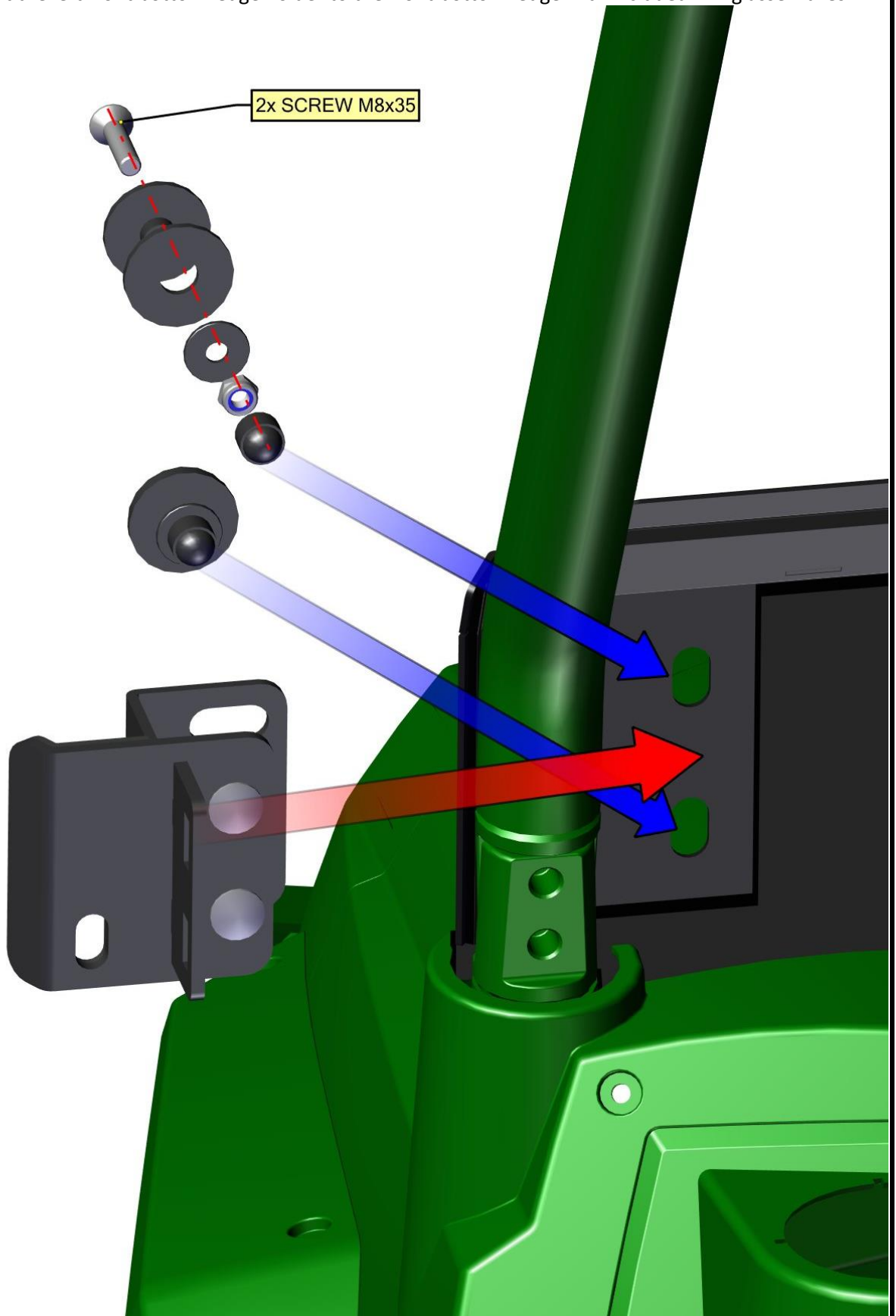
Place and align the front bottom ledge to the best position.



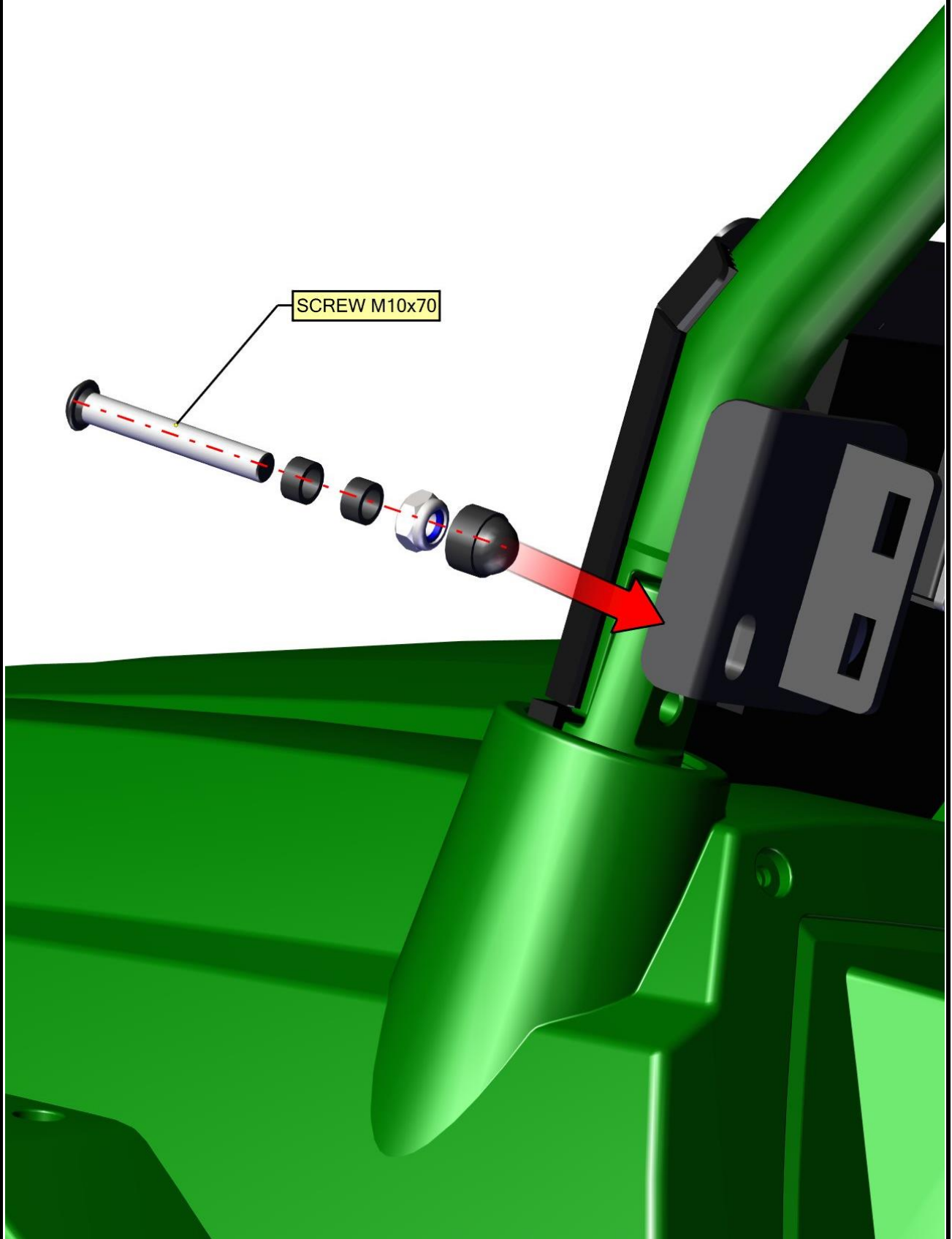
Mount the left front bottom ledge holder assembly together with included screws, washers, nuts and covers.



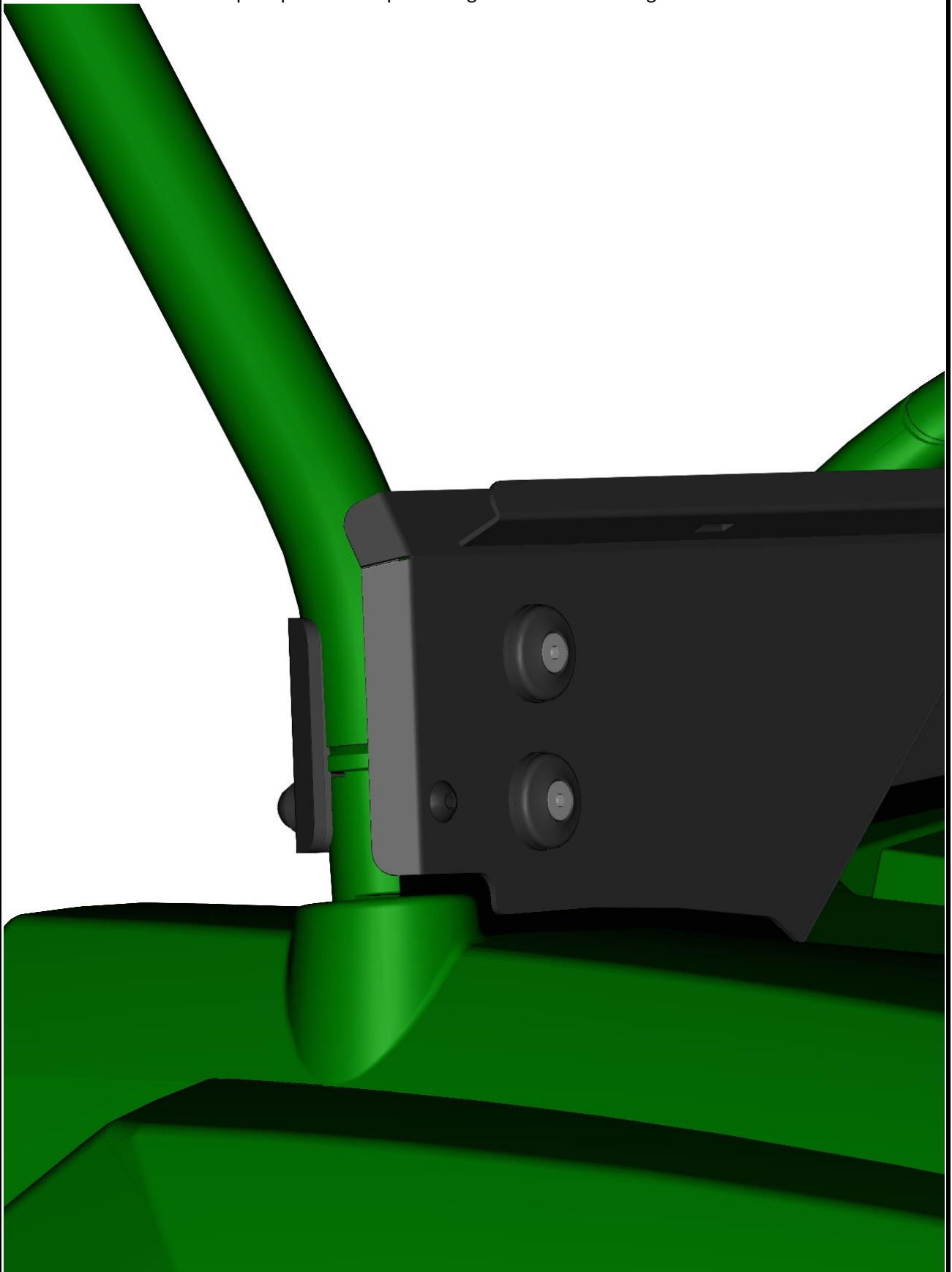
Mount the left front bottom ledge holder to the front bottom ledge with included fixing assemblies.



Mount the front bottom ledge and left front bottom ledge holder to UTV roller cage with included fixing assembly.



Repeat previous steps with right front bottom ledge holder.

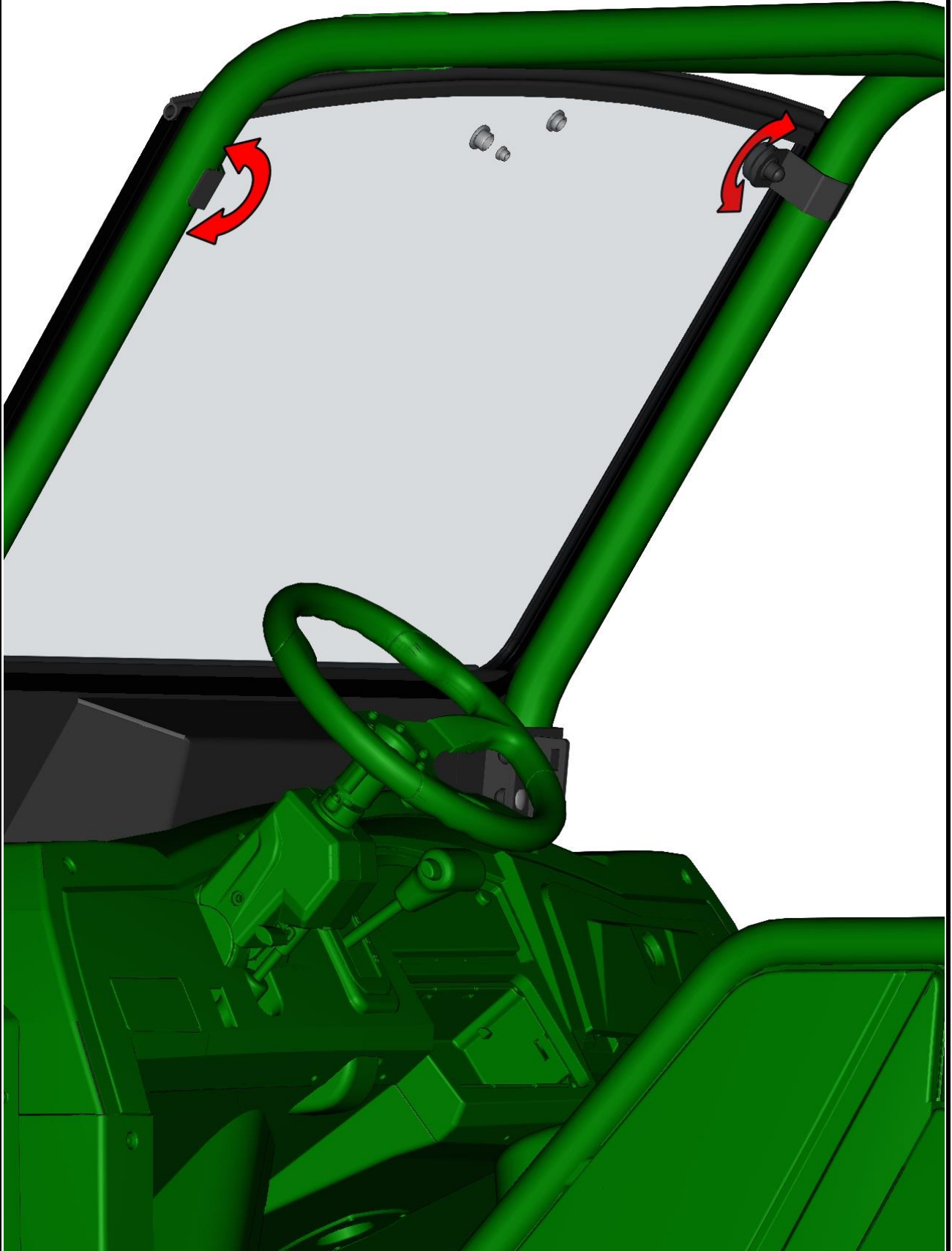


Loosen the front glass holders screw and turn the holders out of the way.
Align the front glass assembly in the position.



14

Turn the holder to the correct position and tighten screws correctly.



15

ROOF

Loosen the roof ledges original screws (red circles) on both sides.

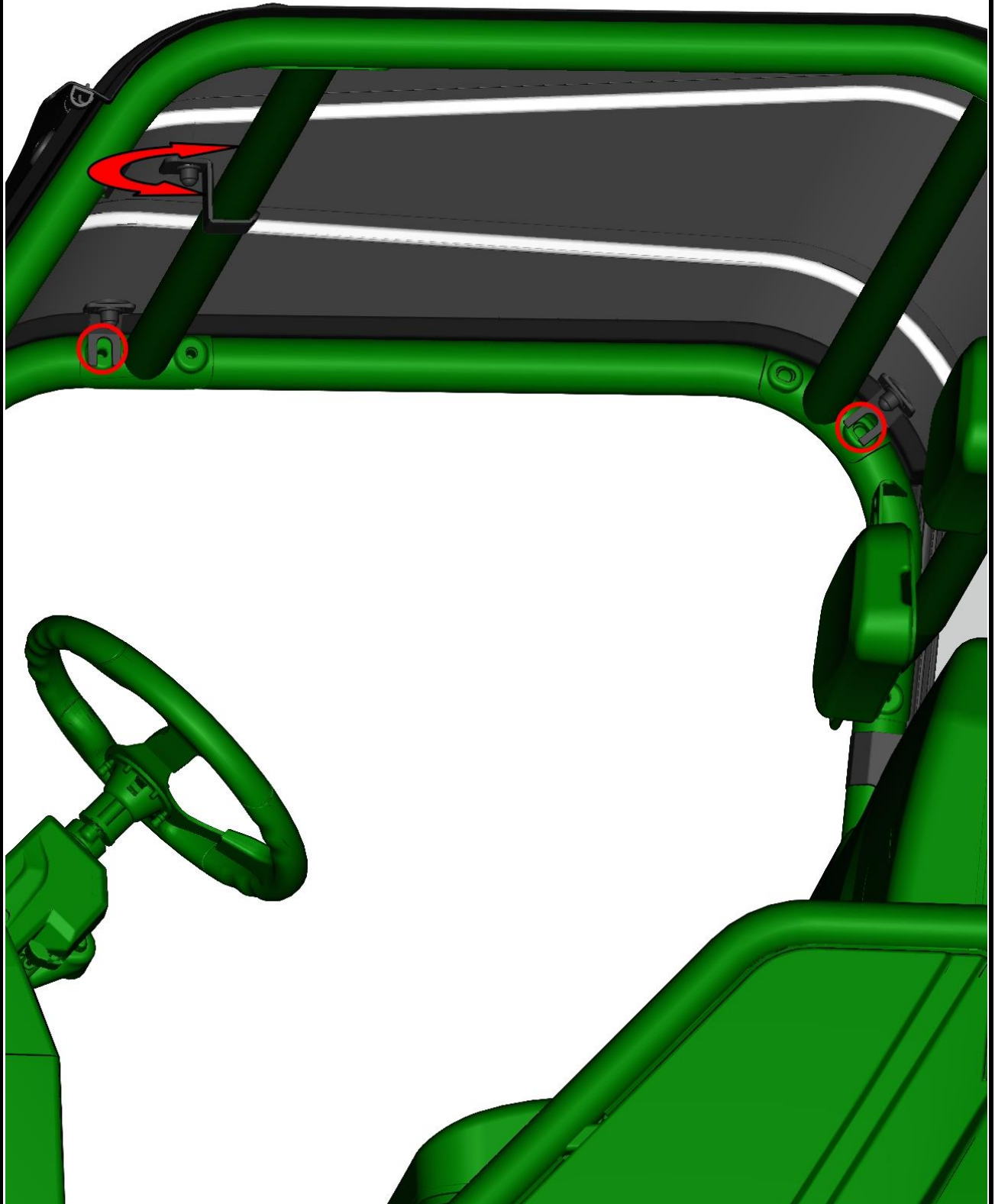


Loosen the roof front holder screw and align the roof panel onto the UTV roller cage.



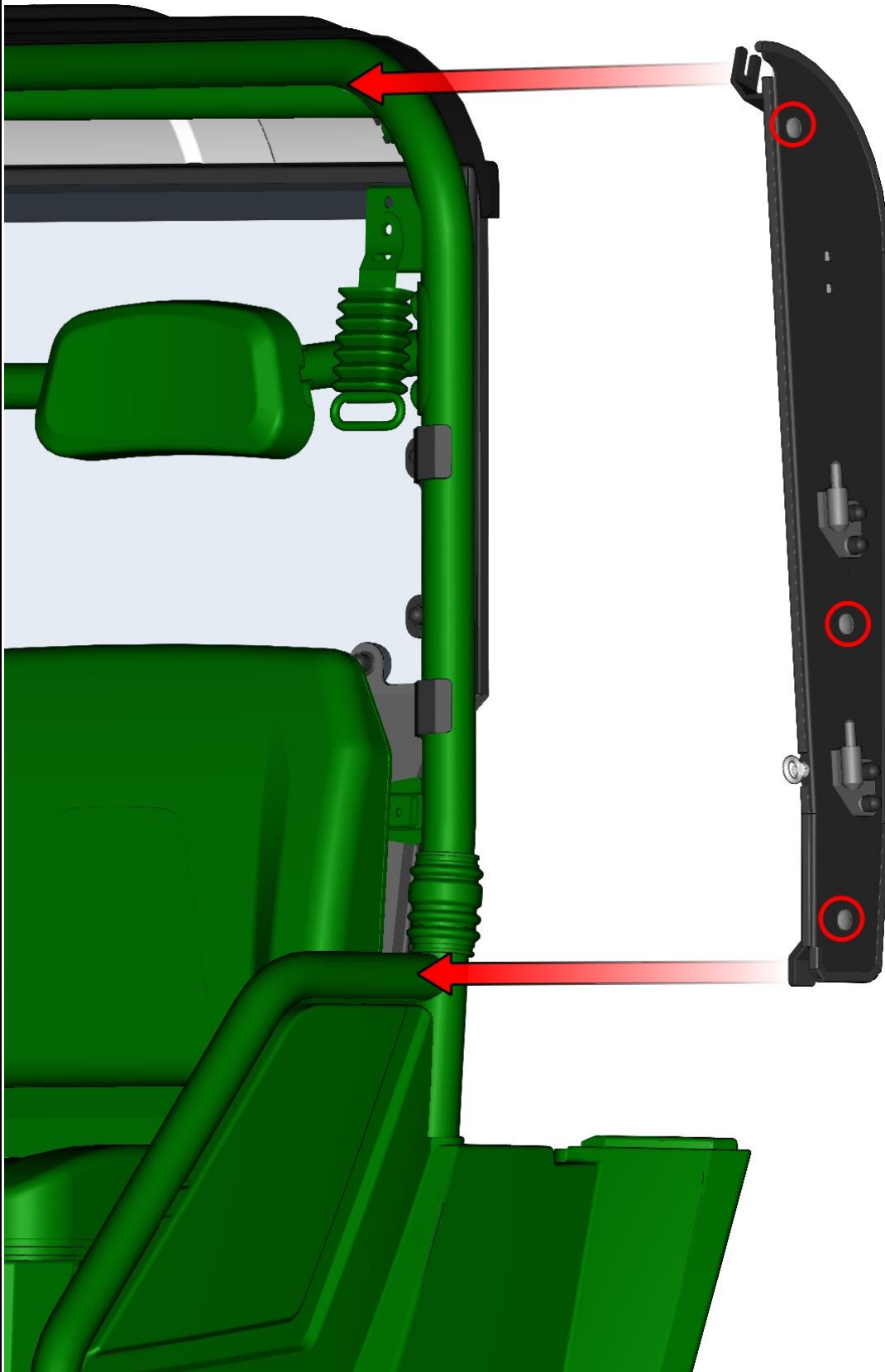
17

Tighten the roof ledges screws hard on both sides. Turn the front roof holder to the correct position and tighten correctly.

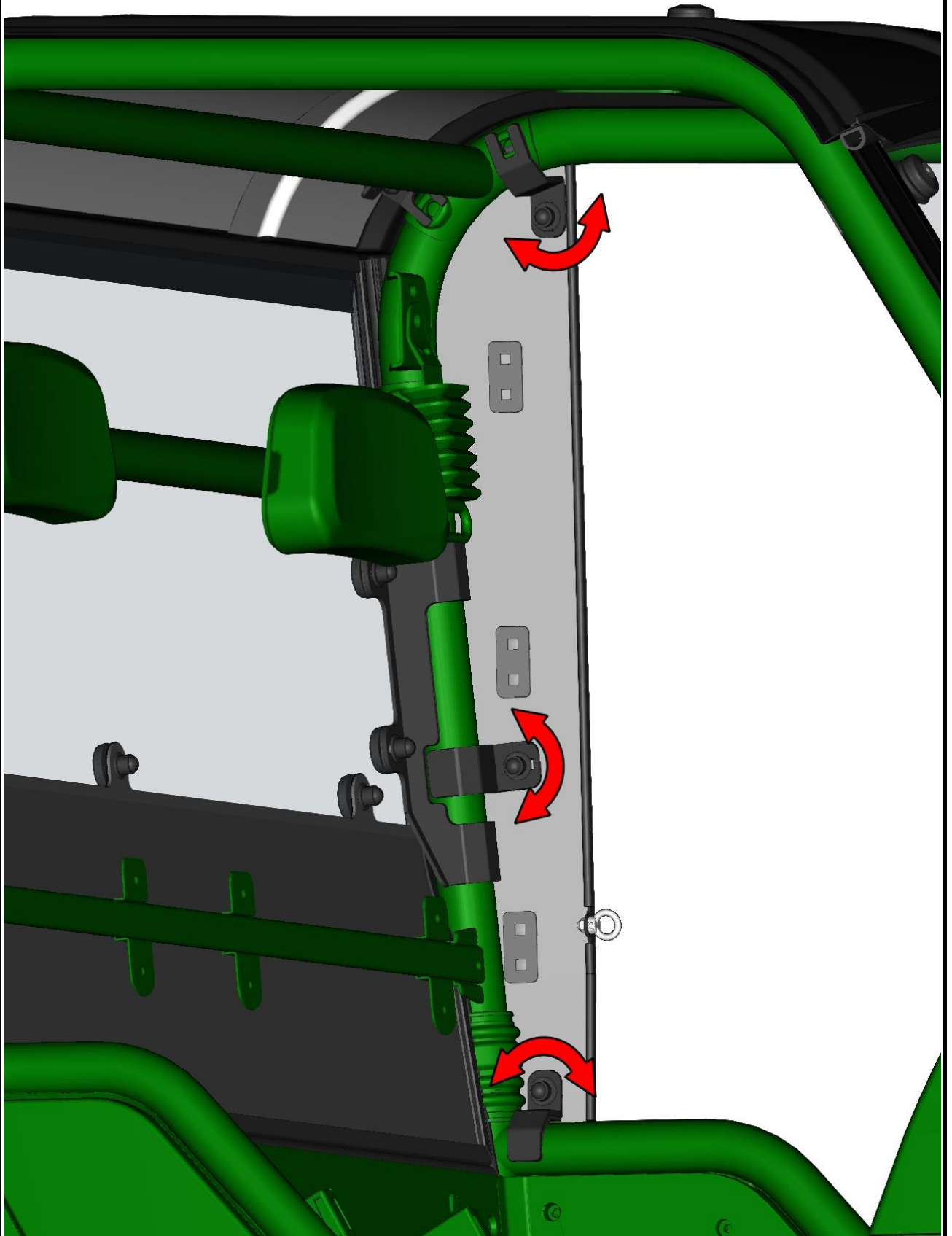


LEFT DOOR + RIGHT DOOR

Loosen the left door base holders screws and turn the holders out of the way.
Align the left door base onto the UTV roller cage.

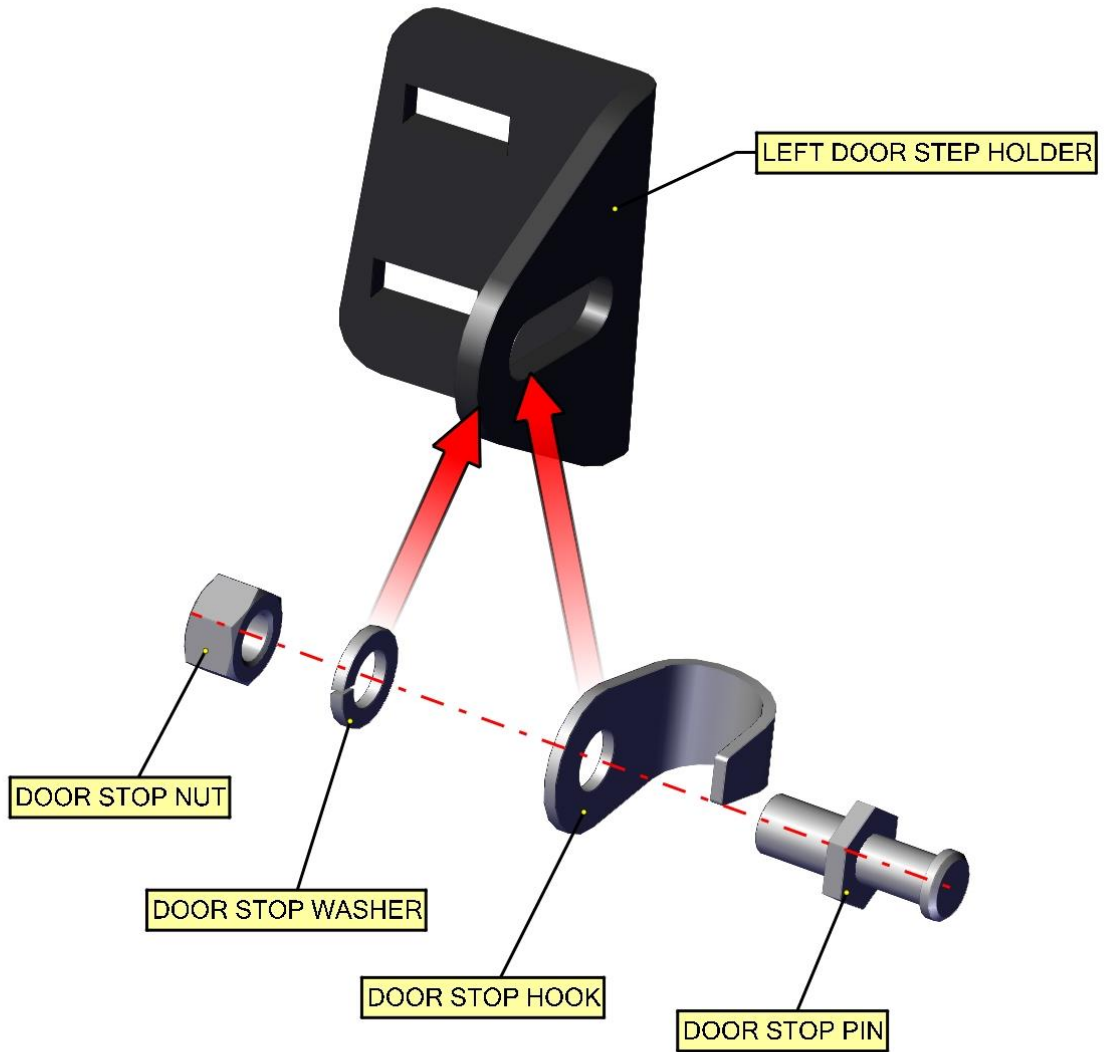


Turn the holders to the correct position and tighten screws correctly.

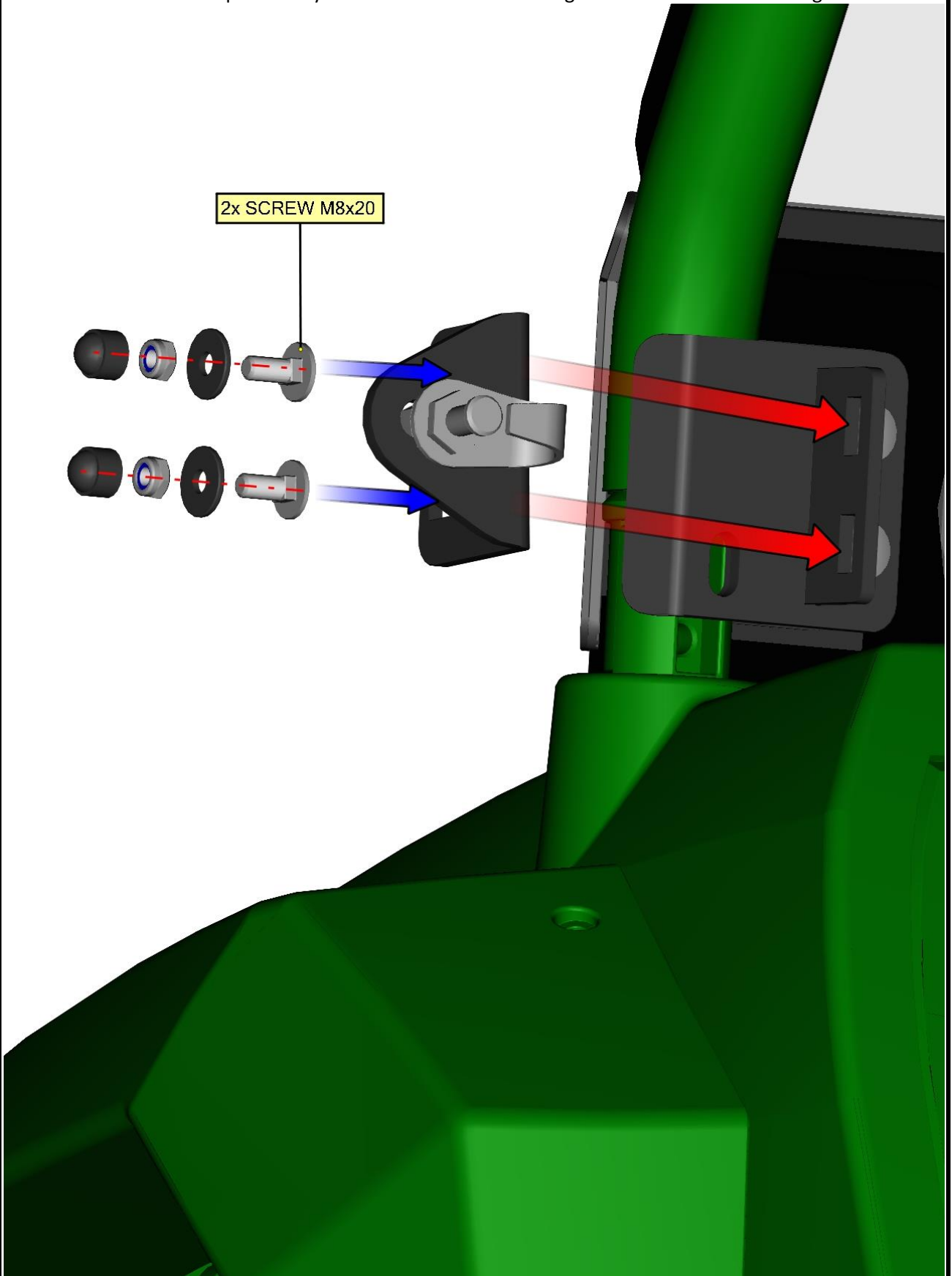


20

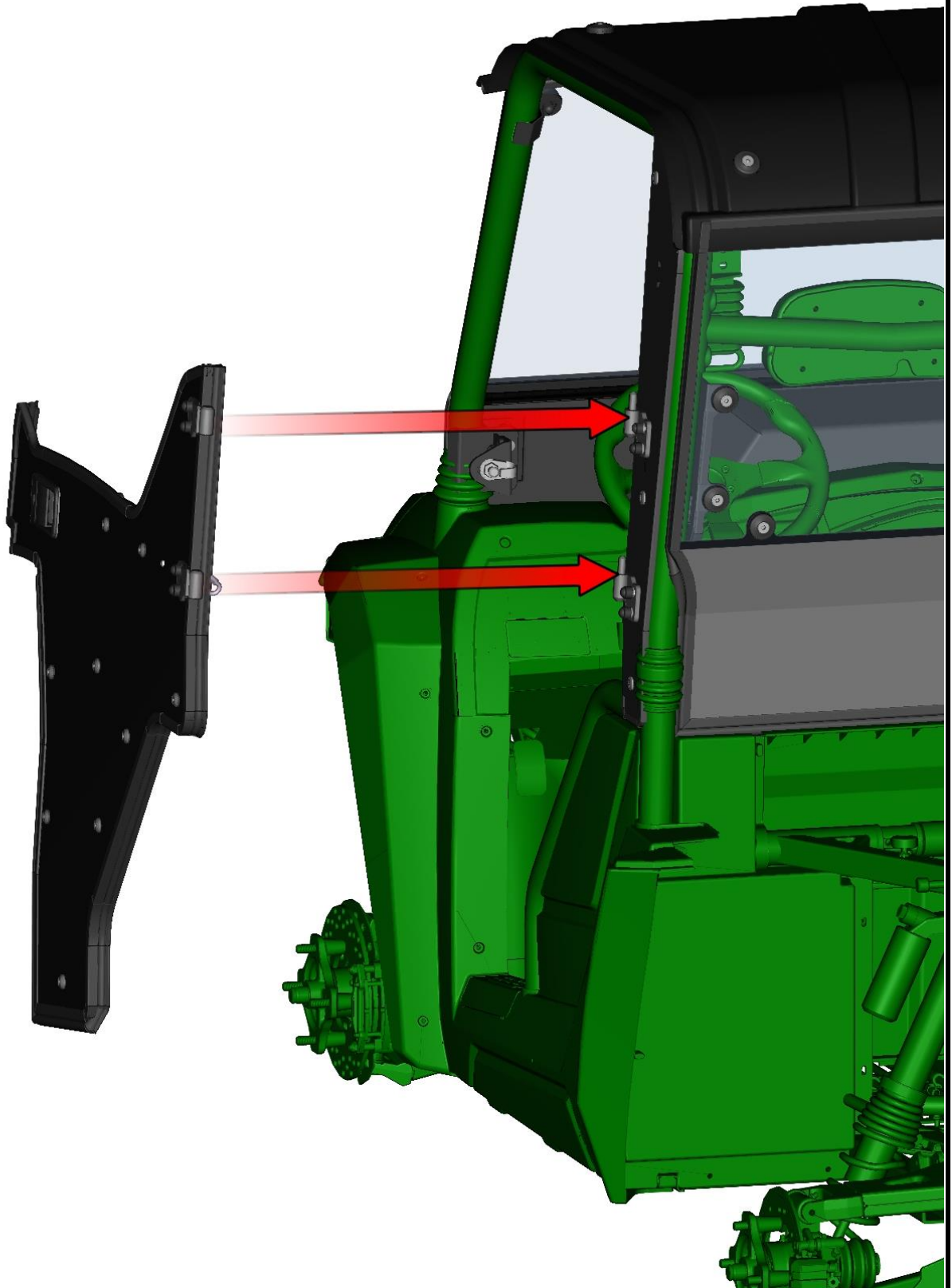
Install the door stop assembly into the left door stop holder.



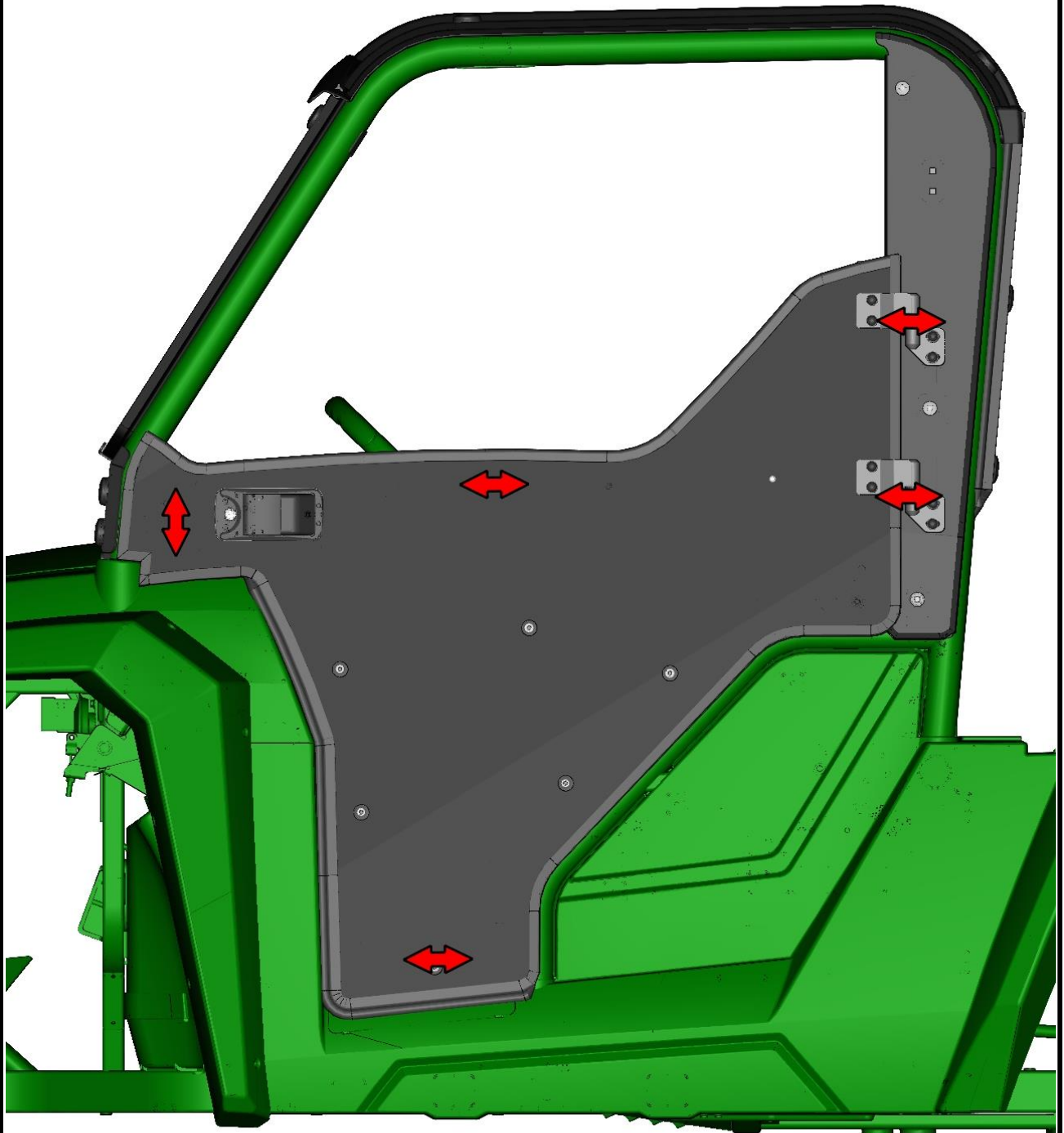
Mount the left door stop assembly to the left front bottom ledge holder with included fixing assemblies.



Lubricate the bottom hinges pins and place the bottom left door onto the left hinges.

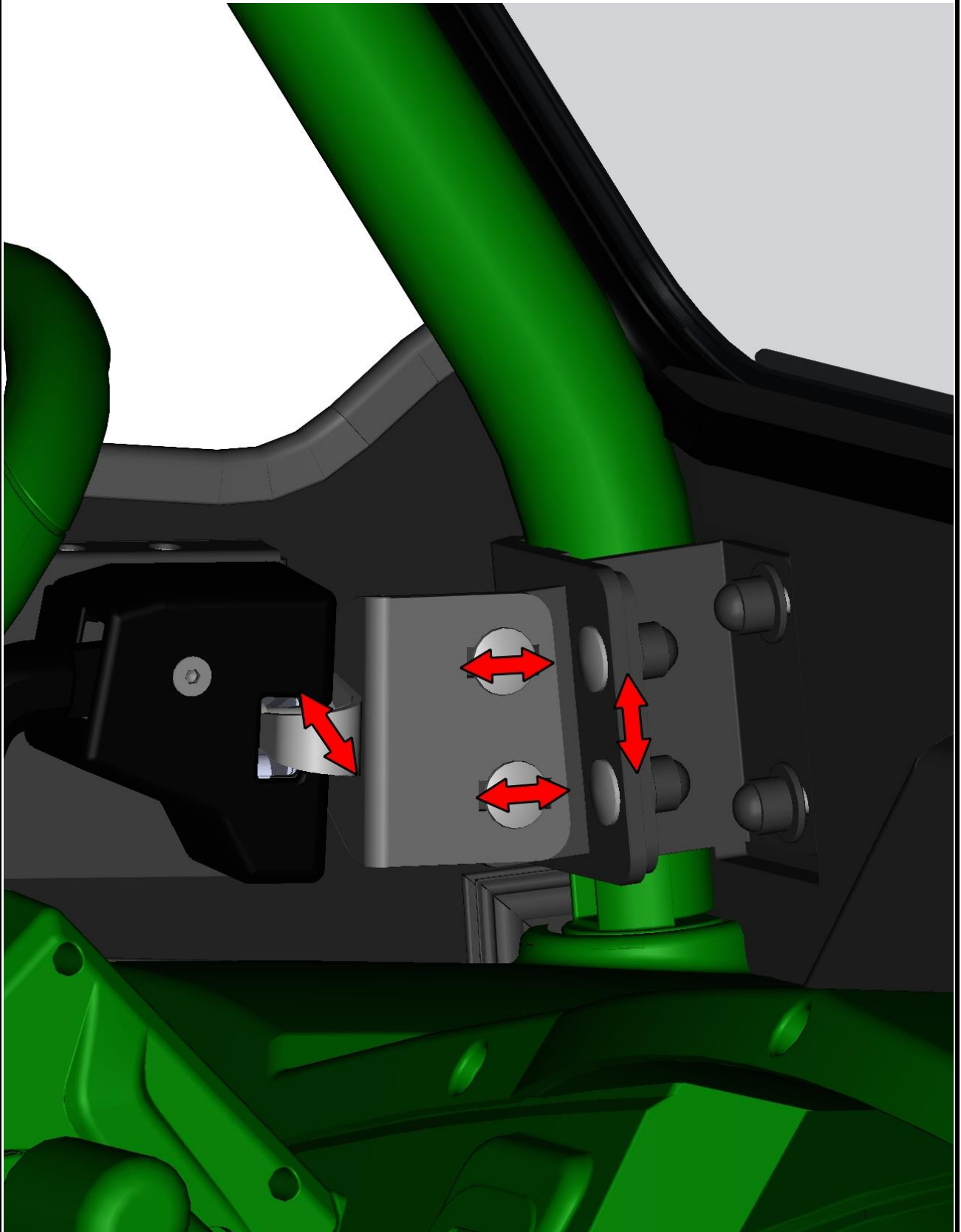


Adjust the bottom left door into the best position by hinges and tighten hinges screws correctly.



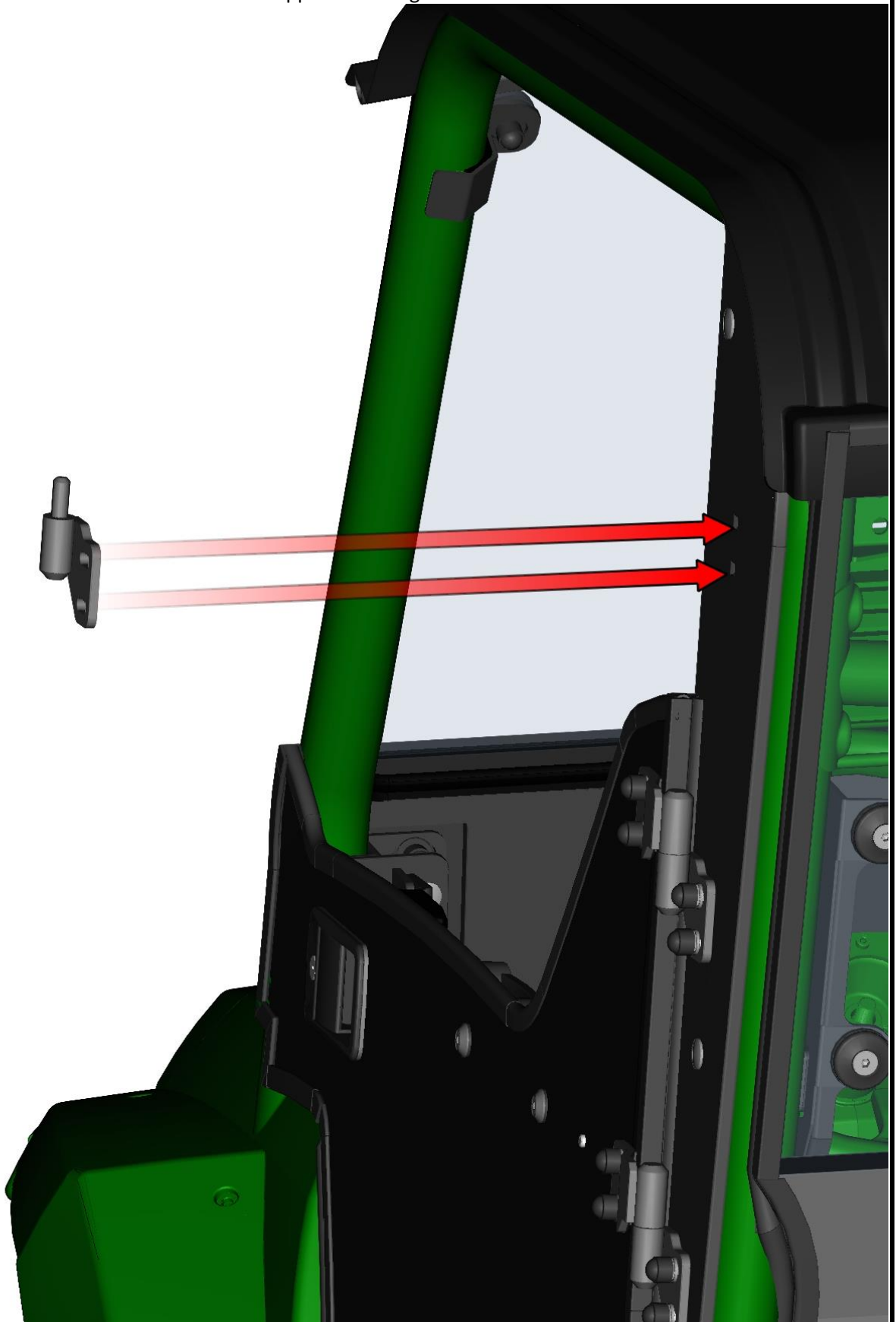
24

Adjust the left door stop assembly into the best position and tighten hard.
IF YOU ADJUSTED CORRECTLY, YOU CAN HEAR TWO CLEAR METALIC CLICK WHEN YOU
CLOSE DOOR SLOWLY.



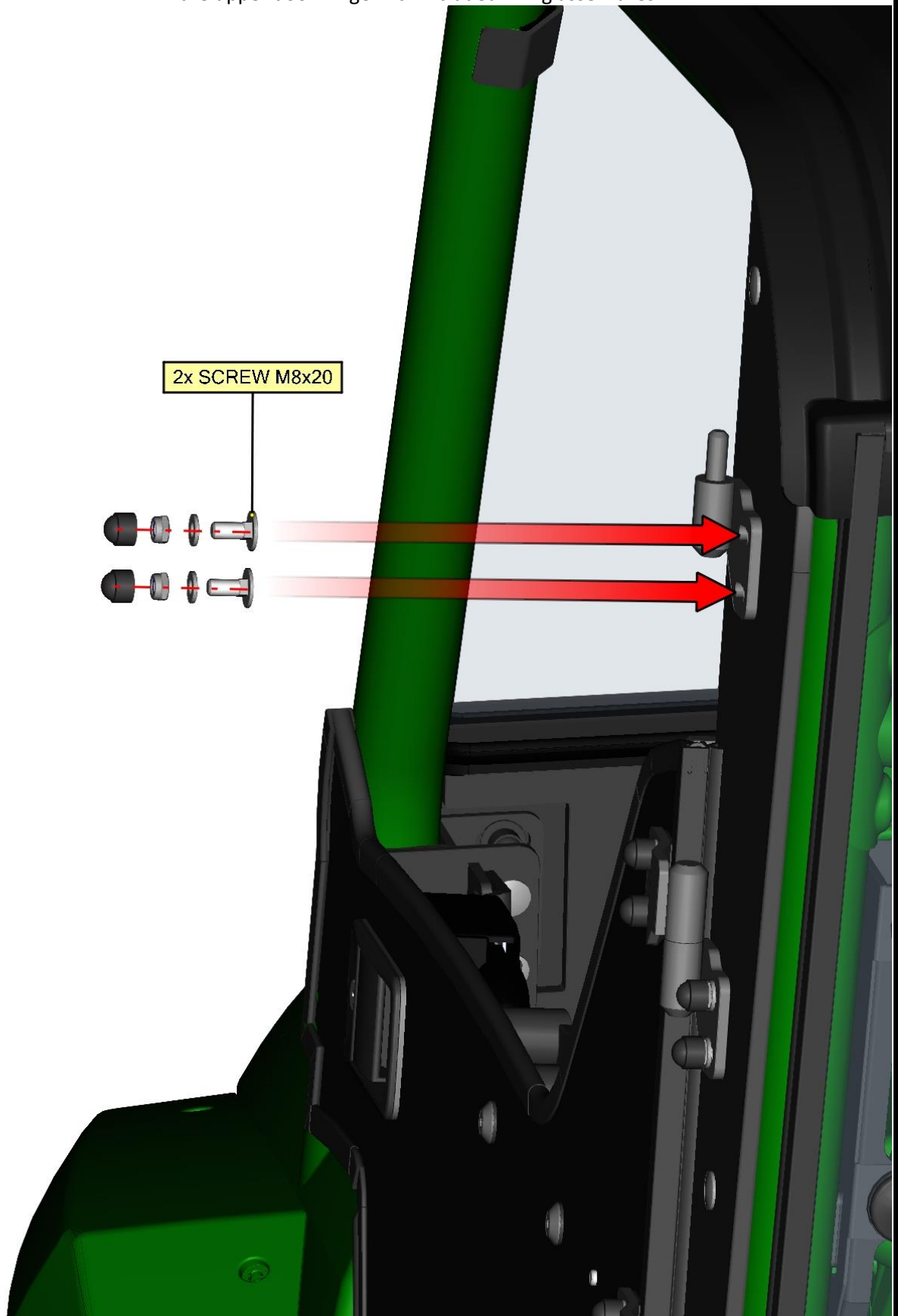
25

Place the upper door hinge onto left door base.

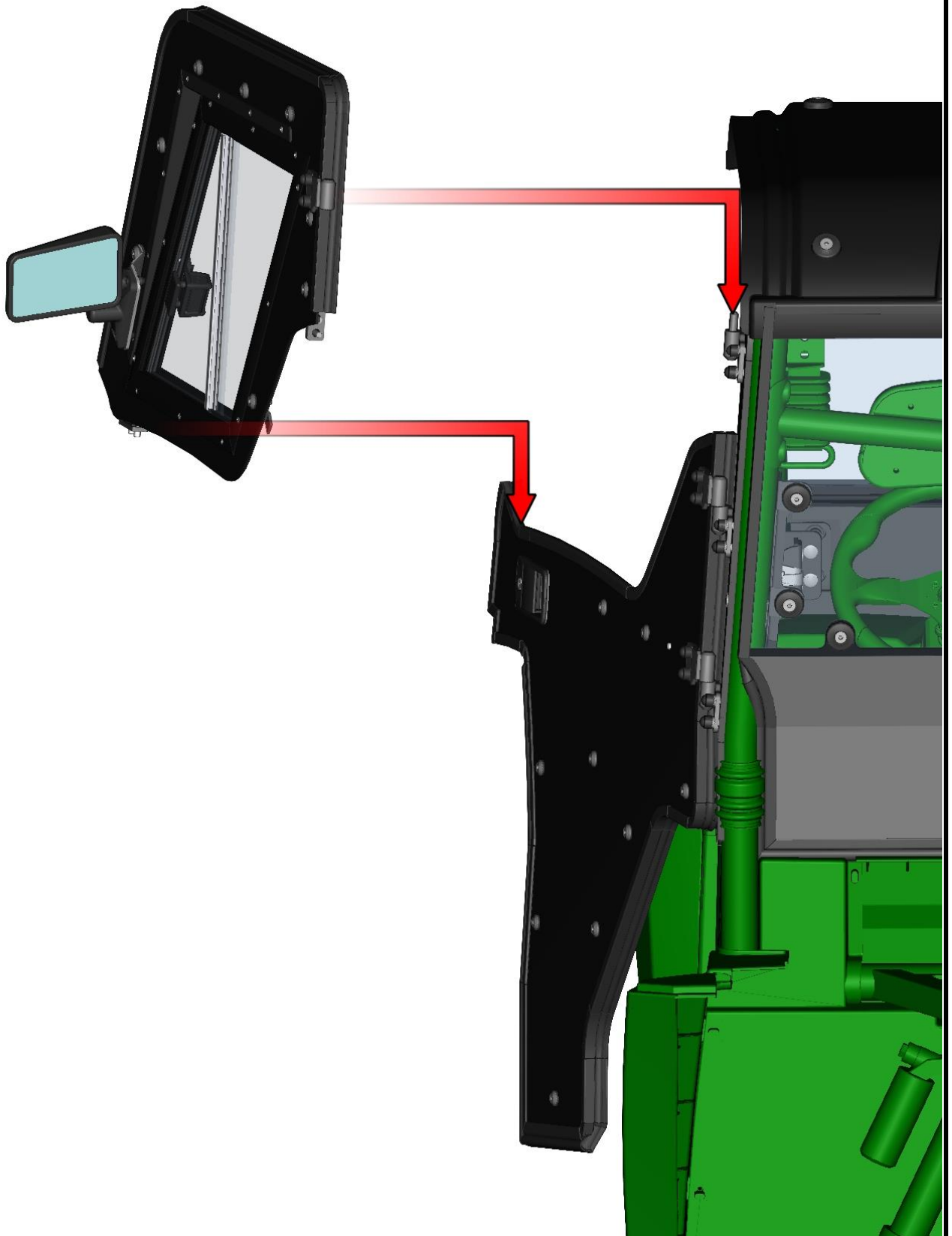


26

Fix the upper door hinge with included fixing assemblies.

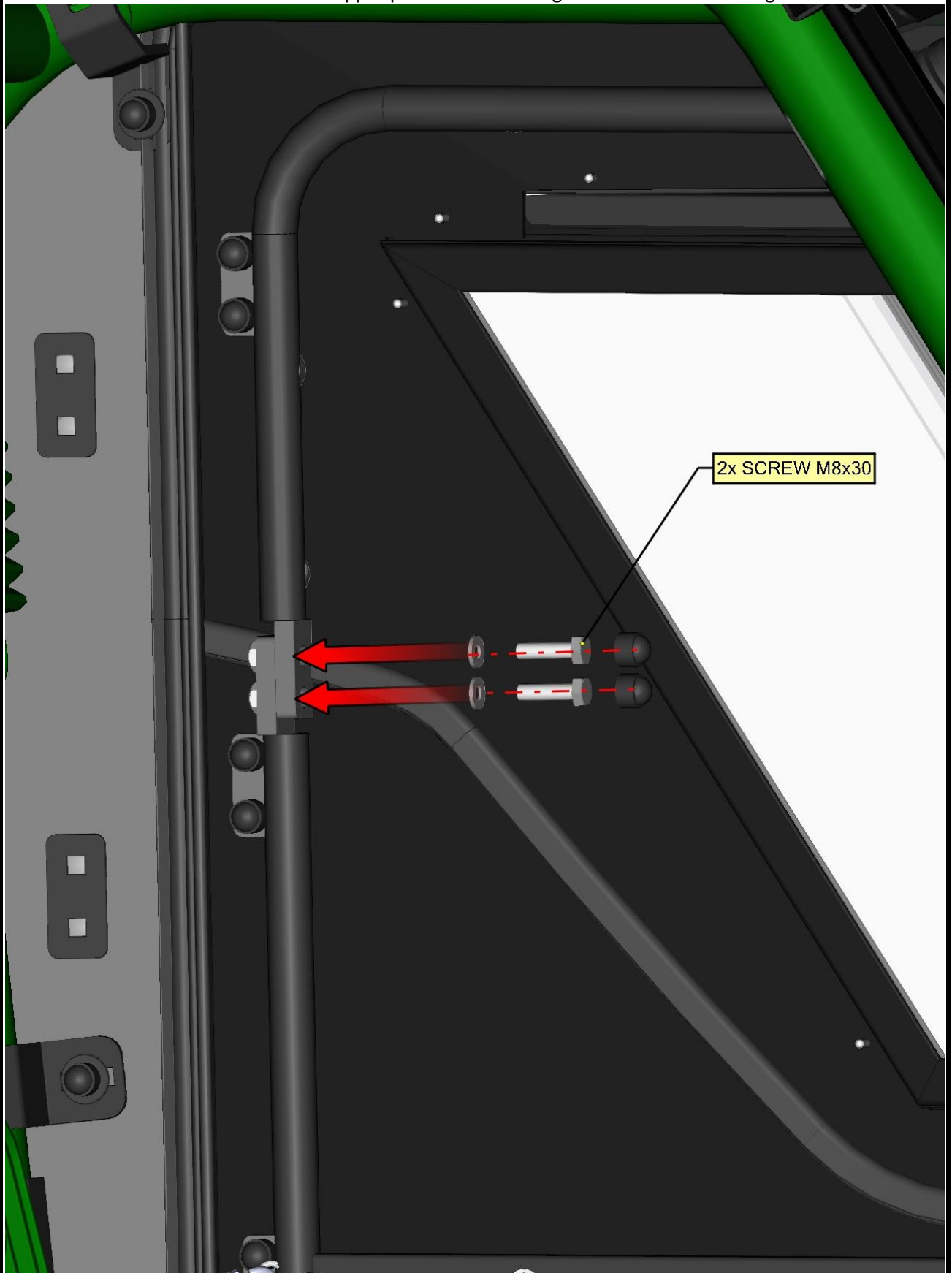


Open the bottom left door, lubricate the upper hinge pin and place the upper left door onto the left hinge.

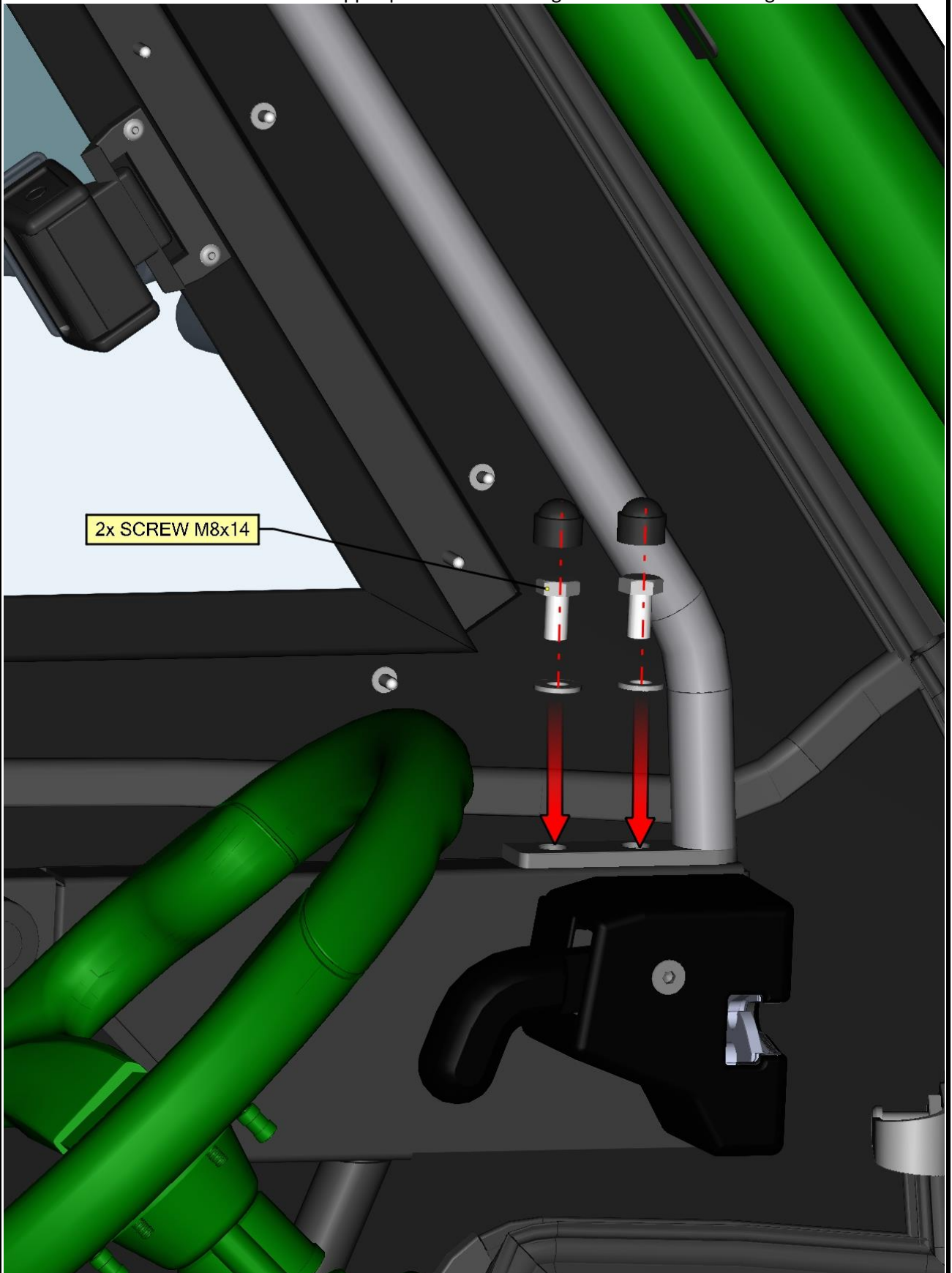


28

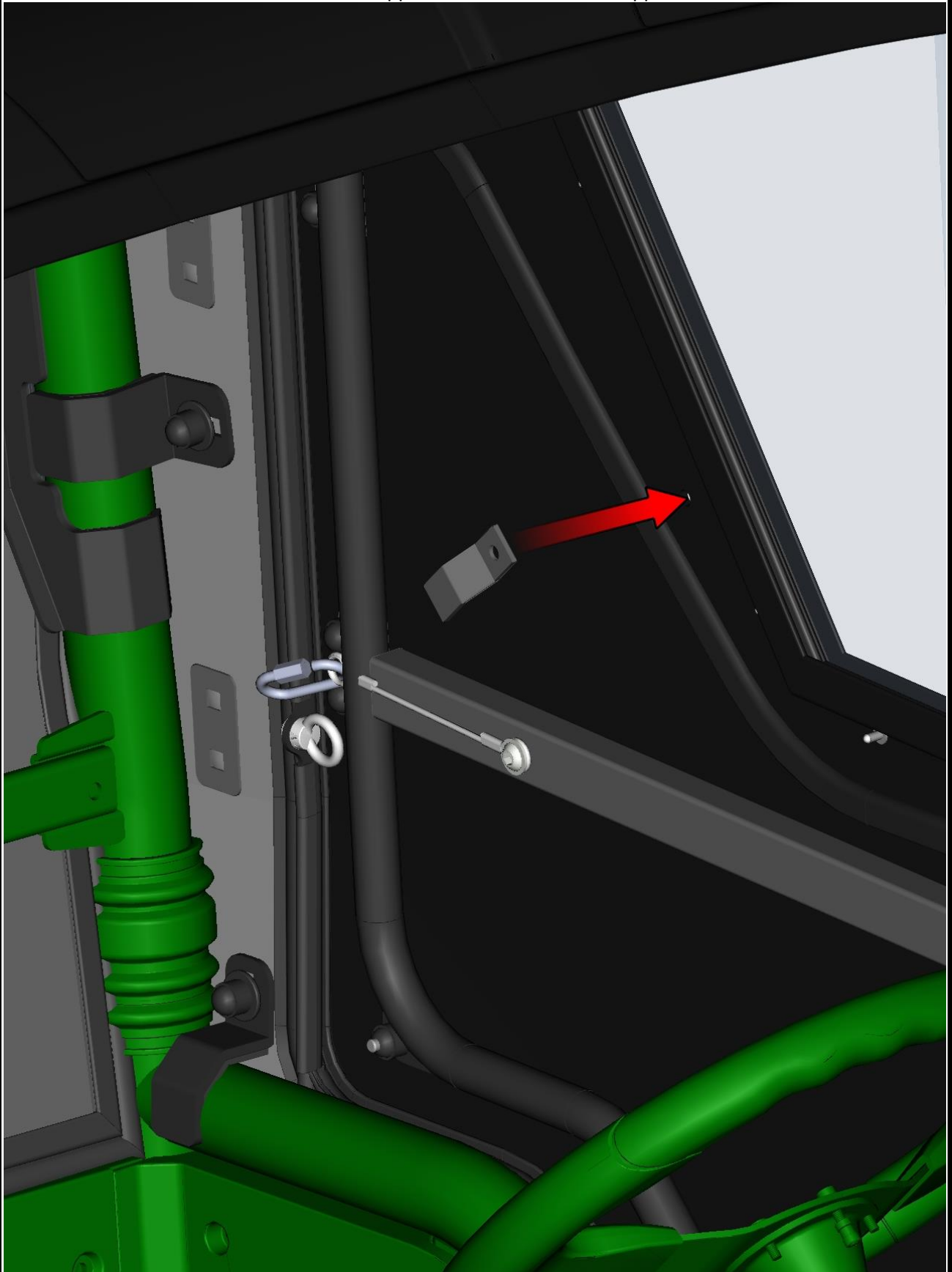
Assemble the bottom and the upper part of the door together with included fixing assemblies.



Assemble the bottom and the upper part of the door together with included fixing assemblies.

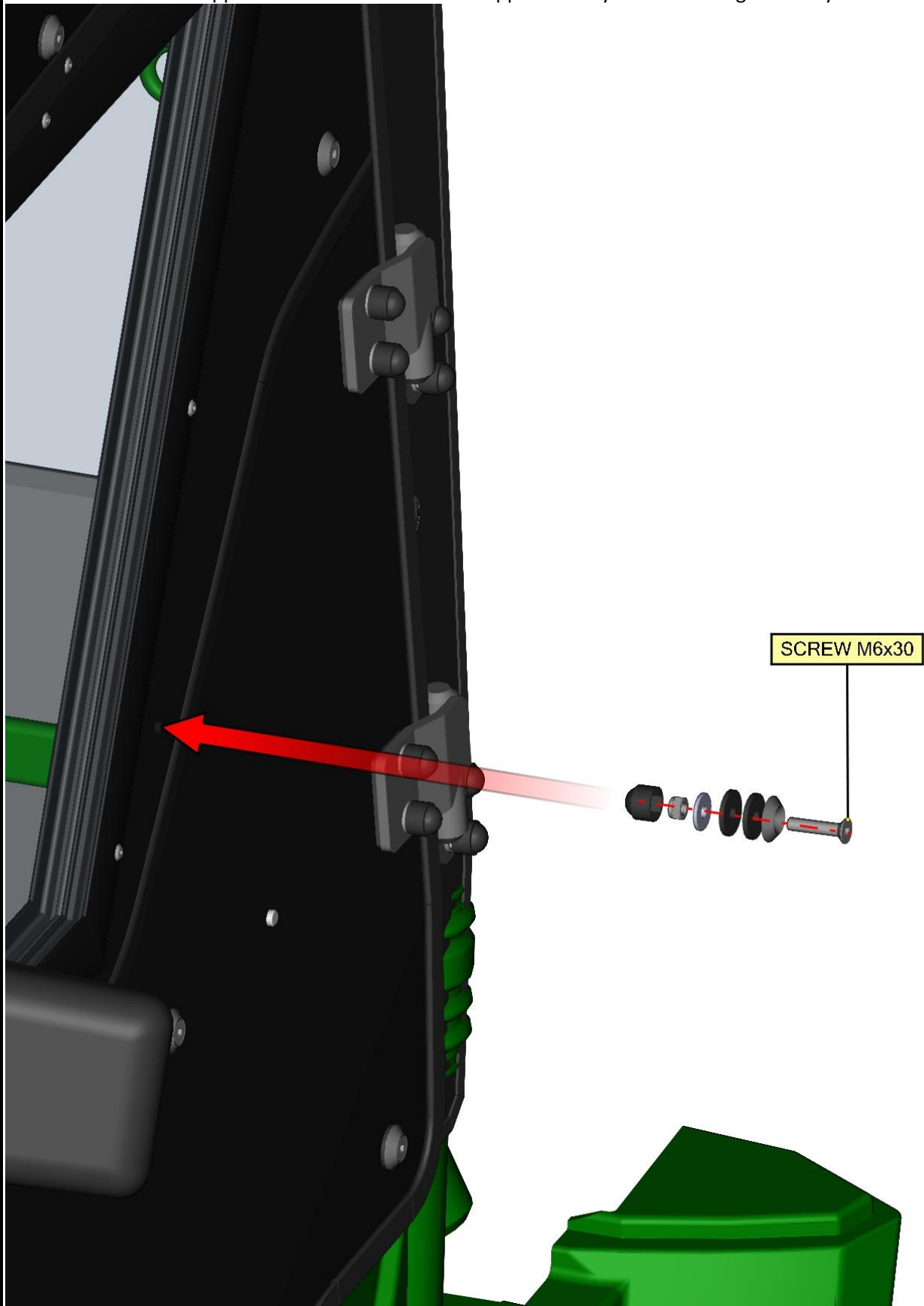


Place the central upper door holder onto left upper door.

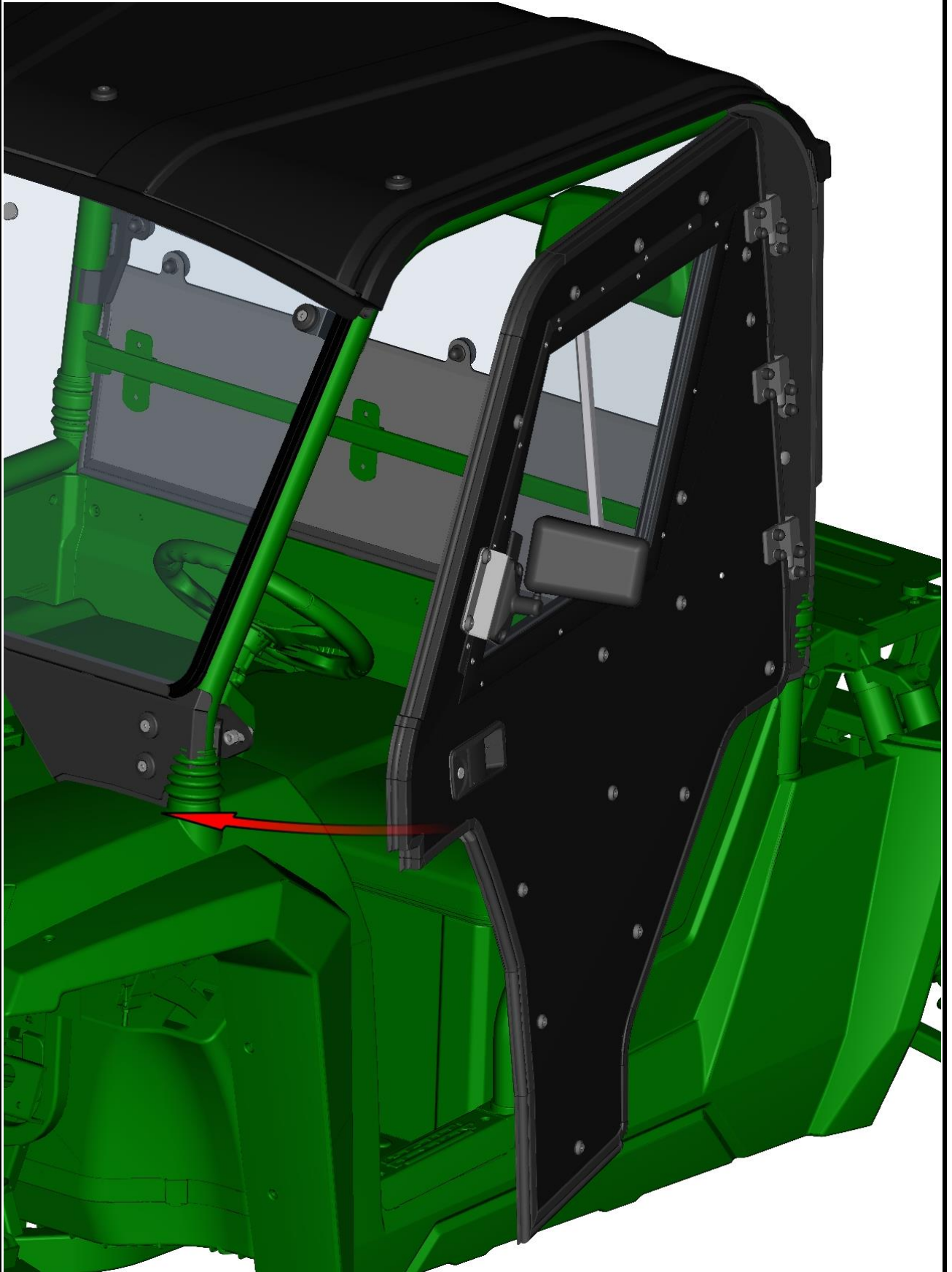


31

Fix the upper door holder with the left upper door by included fixing assembly.

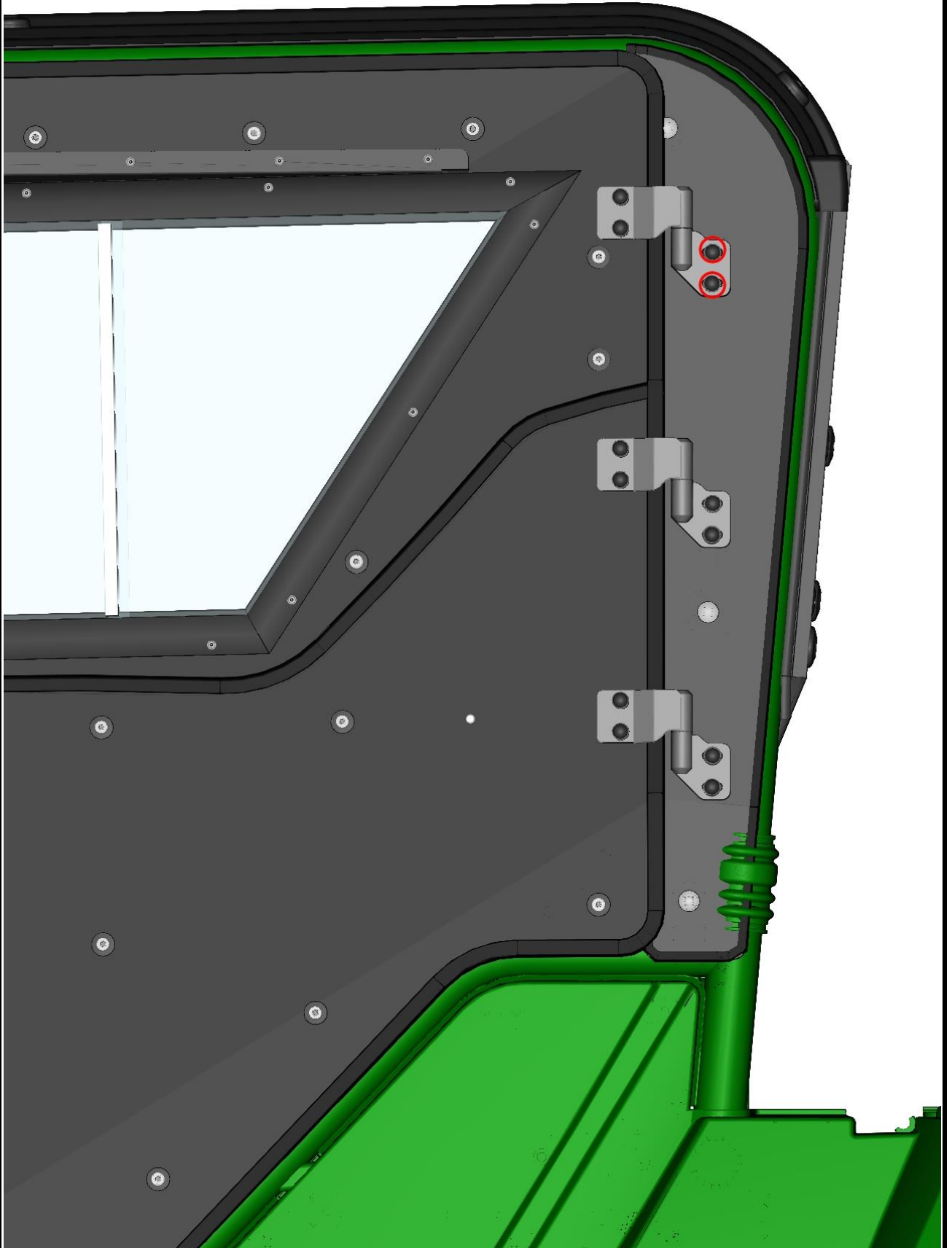


Close the left door.



33

Tighten the upper door hinge screws hard (red circles).



Repeat previous steps with the right door assemblies.



35

