



*INSTALLATION INSTRUCTIONS*

**POLARIS**

**RZR 1000 CREW (2017)**

## **SAFETY INSTRUCTIONS**

***Warning: Failure to heed all safety and operating instructions and warnings regarding use of this product can result in serious bodily injury.***

### ***READ COMPLETE ASSEMBLY INSTRUCTIONS THOROUGHLY BEFORE STARTING OF ASSEMBLY***

***Install all parts indicated in assembly instructions. Failure to fully assemble product before use could result in personal injury.***

***Assembly of product requires use of hand or power tools. If you are not experienced in using these types of tools, have product dealer do the install for you.***

***Some parts contain sharp edges, wear protective gloves if necessary.***

***Always keep your assembly area clean, uncluttered and well lit.***

***Keep visitors and children a safe distance away from the assembly area. Visitors should wear the same safety equipment described below.***

***Dress for safety. DO NOT wear loose clothing, gloves, neckties or jewelry if using power tools to assemble this product.***

***Never operate your UTV with the cab doors open. Failure to properly latch the doors before moving the vehicle could result in serious injury.***

***Insert all nut covers after you finish installation.***

***Never drive your UTV with the cab front window in open position. Failure to properly latch/lock front window before driving the vehicle could result in serious injury.***

**MAINTENANCE AND CLEANING**

*To clean polycarbonate surface use soapy water solution or other subtle means.*

*Wash off dirt and dust with gentle water stream and wipe only with wet or damp soft cloth or sponge in the direction from top to bottom.*

*The recommended frequency of cleaning of polycarbonate part is about 1 time per month or according to the actual degree of dirtiness.*

*Do not use detergents that could scratch the surface plates.  
(abrasives, harsh fabrics, etc.)*

*Do not use solvents or alkaline detergents or cleaners with ammonia  
(ammonium hydroxide).*

*Do not remove the impurities from the surface with razor blades or other sharp items.*

*Do not clean cabin when the polycarbonate plates are heated by the sun.*

*Do not use a squeegee as it could scratch the polycarbonate surface plates.*

*Do not clean the water current strength greater than 50 bar (WAP)*

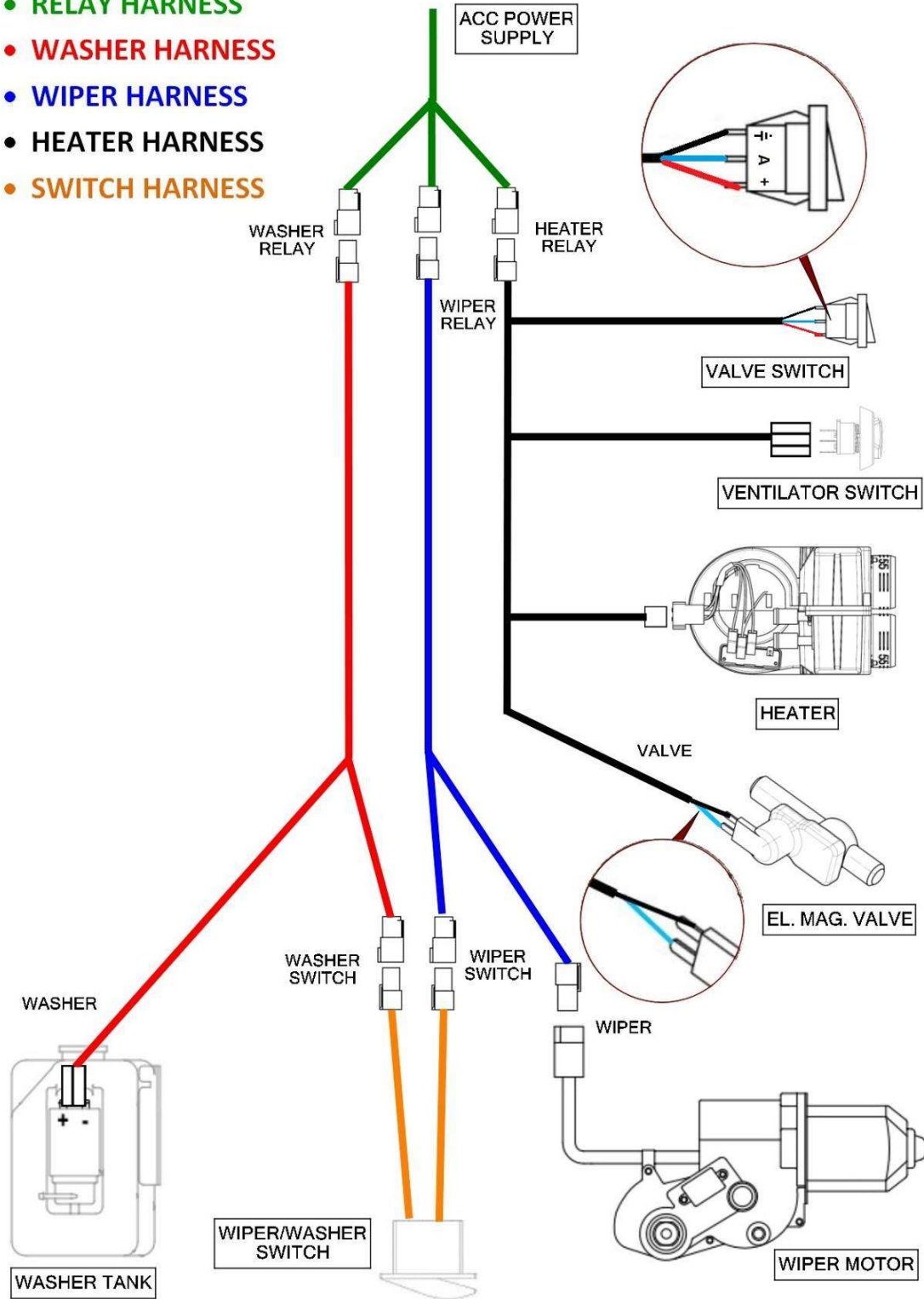
*The manufacturer is not responsible for scratching the surface in case of failure to comply with the above instructions.*

*All bolted connections of cab must be by user at regular intervals checked and tightened.*

ELECTROINSTALLATION

WIRING DIAGRAM

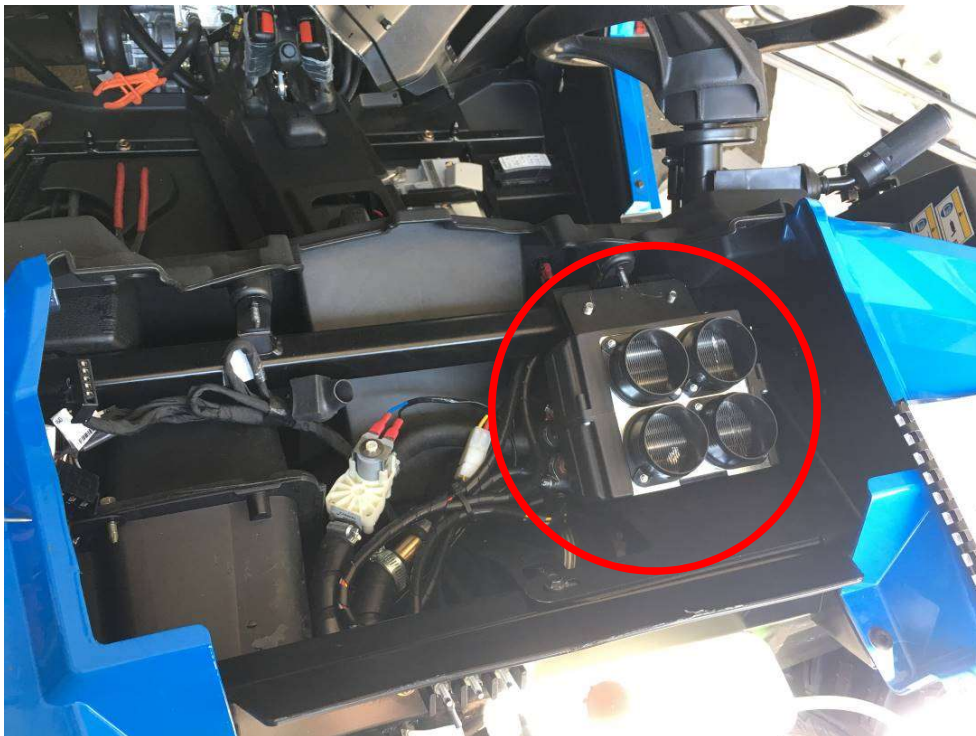
- RELAY HARNESS
- WASHER HARNESS
- WIPER HARNESS
- HEATER HARNESS
- SWITCH HARNESS



Uninstall the dashboard central cover.



Install the heater holder with the heater into the space under dashboard central cover (red circle).

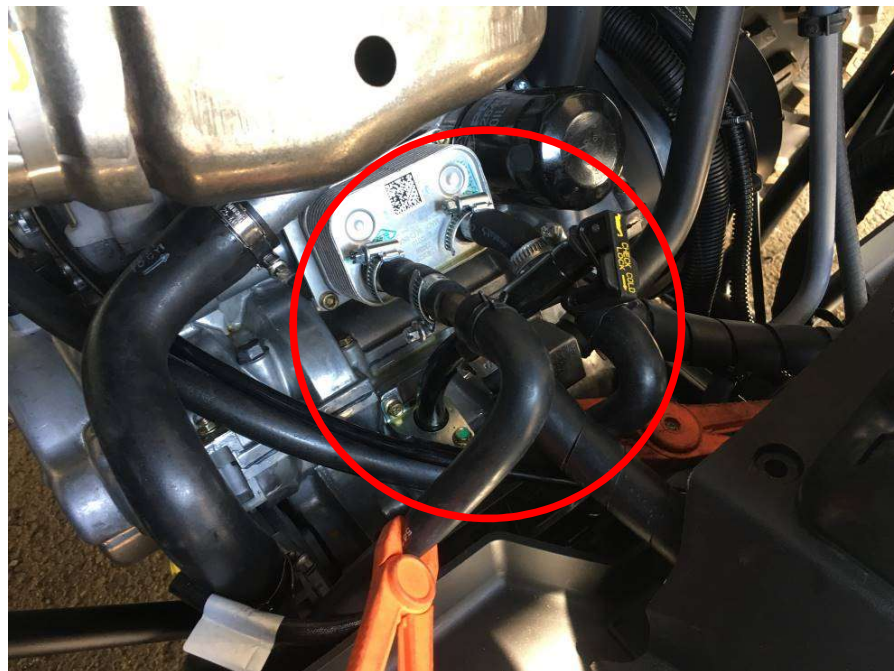


5

Uninstall the engine space cover and locate the position where the cooling system hoses are connected to the engine (red circle).

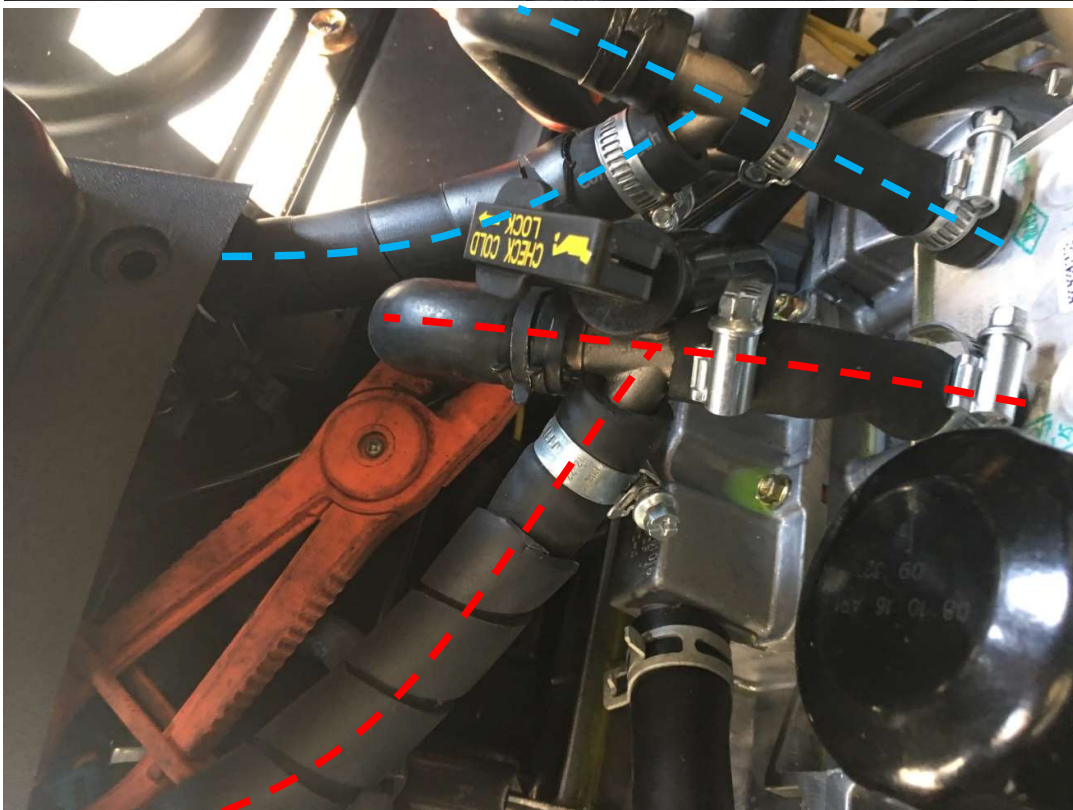
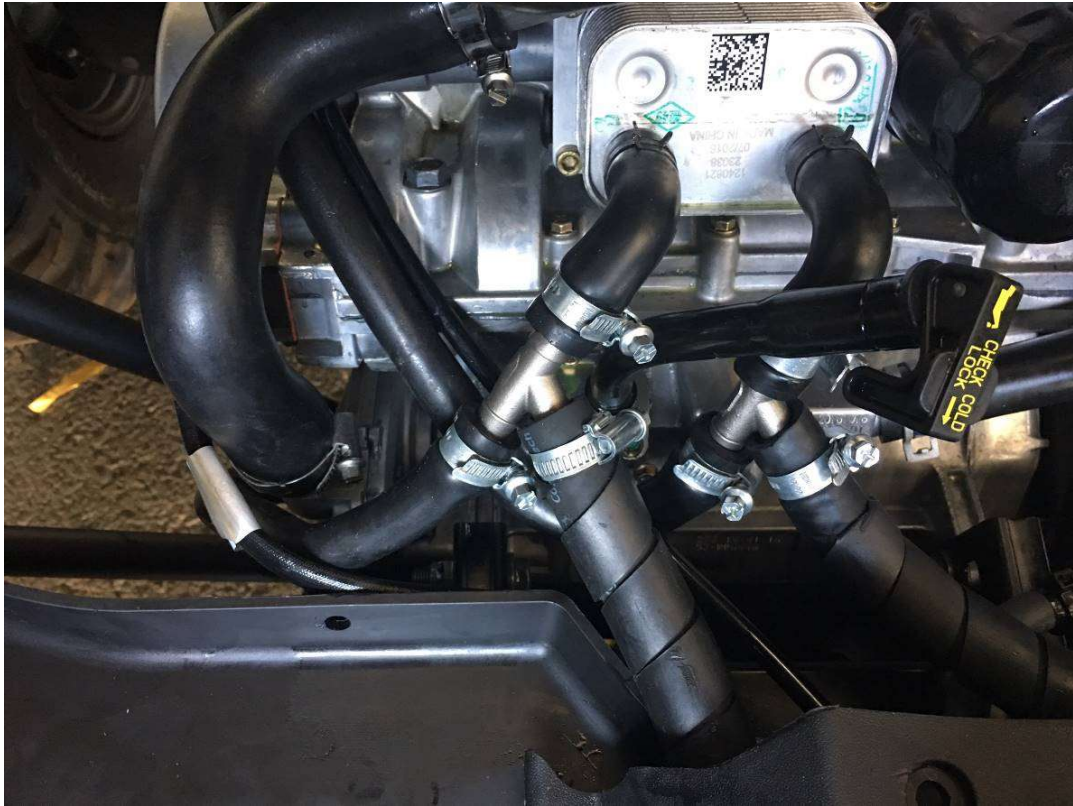


Secure the original cooling system hoses with clamps and cut the hoses between the clamps. Install the “Y” coupling into the hoses and fix with tightening straps (red circle). Tighten the straps hard.

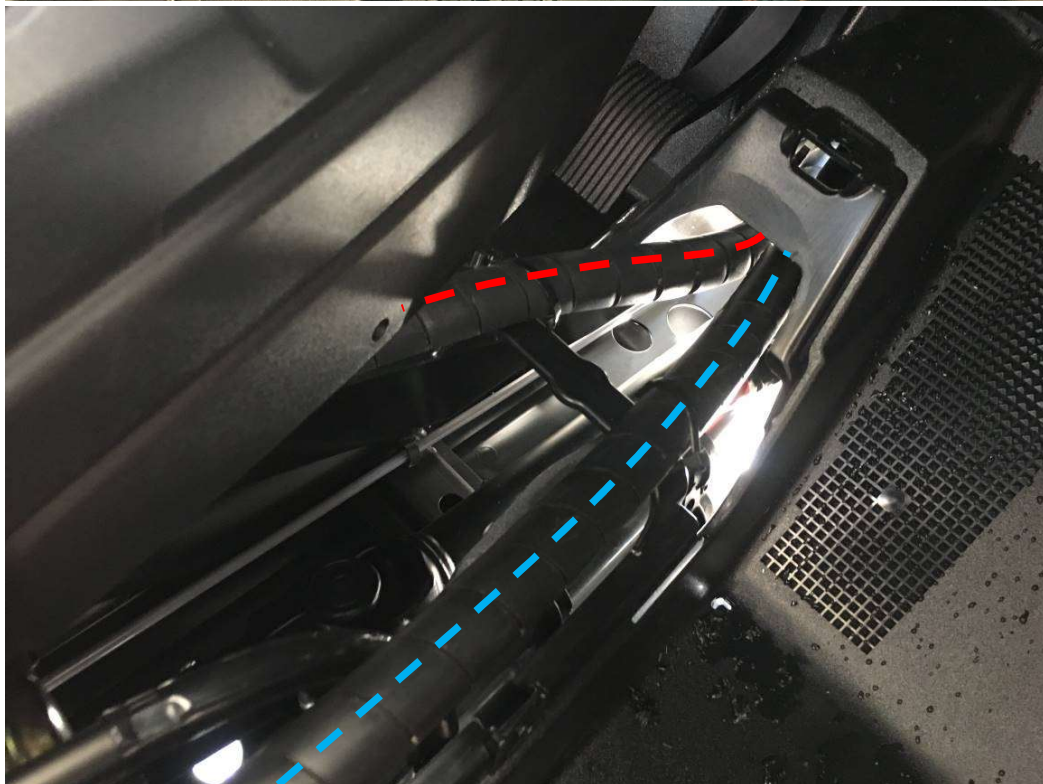


6

Detailed views of the heater water hoses connection.

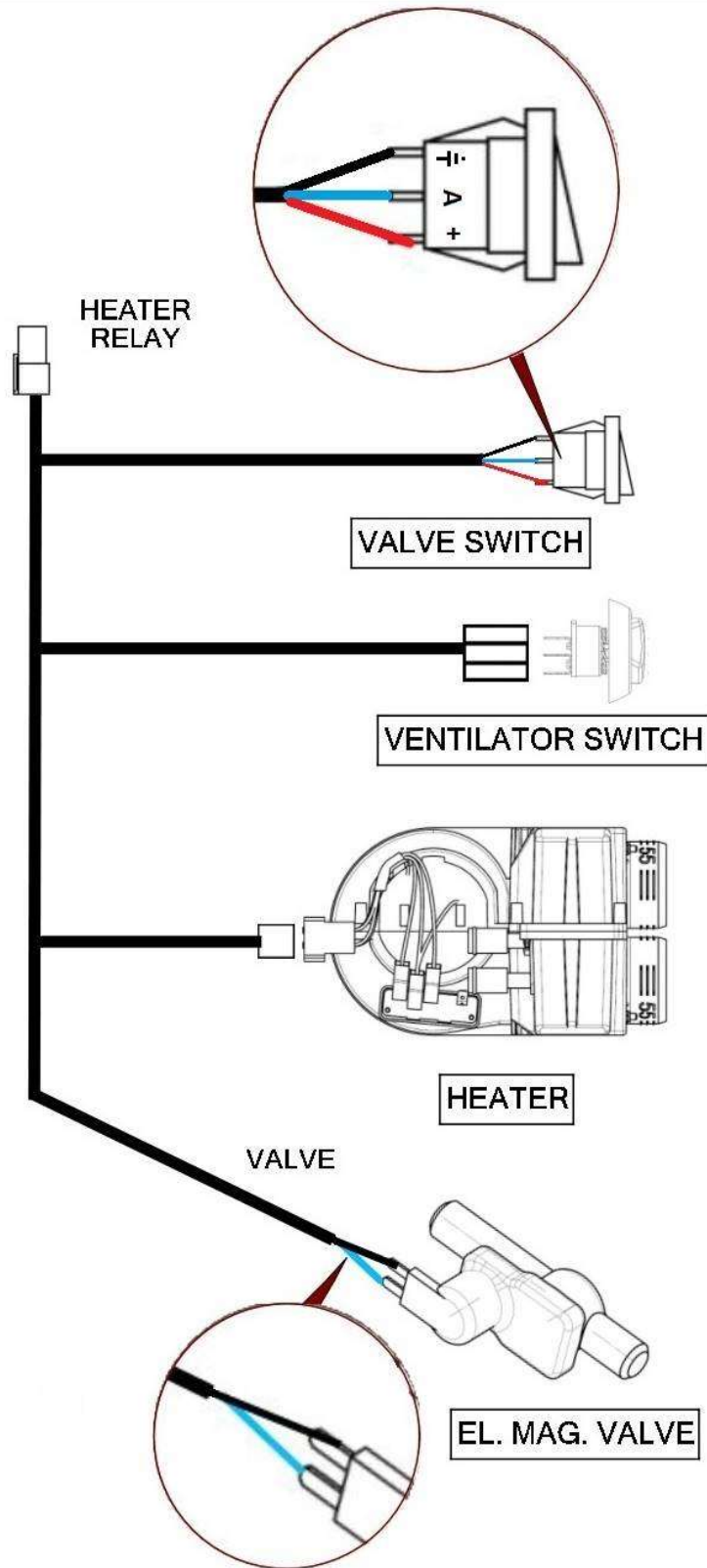


Route the heater water hoses from the engine space to the heater installed under the dashboard central cover.





### HEATER WIRING DIAGRAM



Install the el. valve (red circle) into the hot water heater hose. Fix the el. valve with the tightening straps.



10

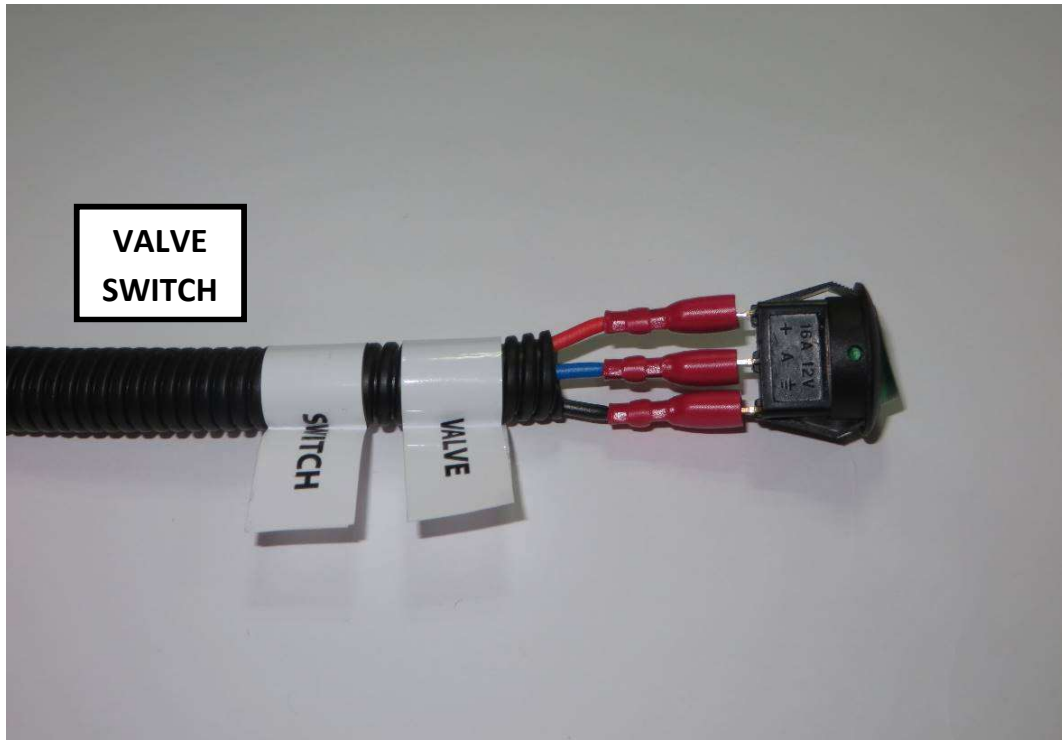
Connect the hose from the engine with the coupling on heater hose.



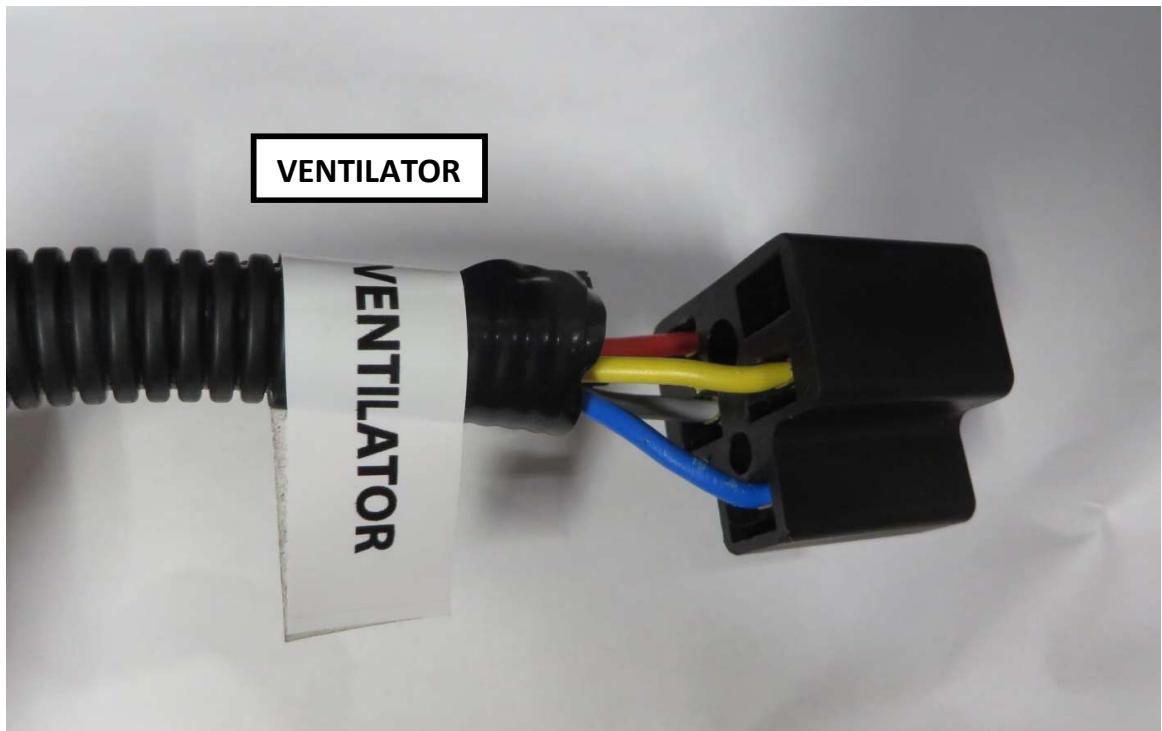
Drill one hole  $\varnothing$  11,5-14mm (0,45-0,55 in) and two holes  $\varnothing$  2,5-4 mm ( 0,1-0,16 in) into the dashboard in accordance with the heater switch base (red circle). Drill the hole  $\varnothing$ 25 mm into the dashboard for the el. valve (green circle).



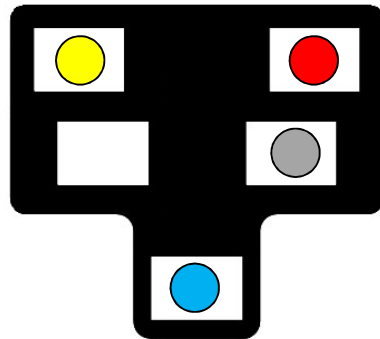
Connect the heater switch body with the harness branch. Detail view.



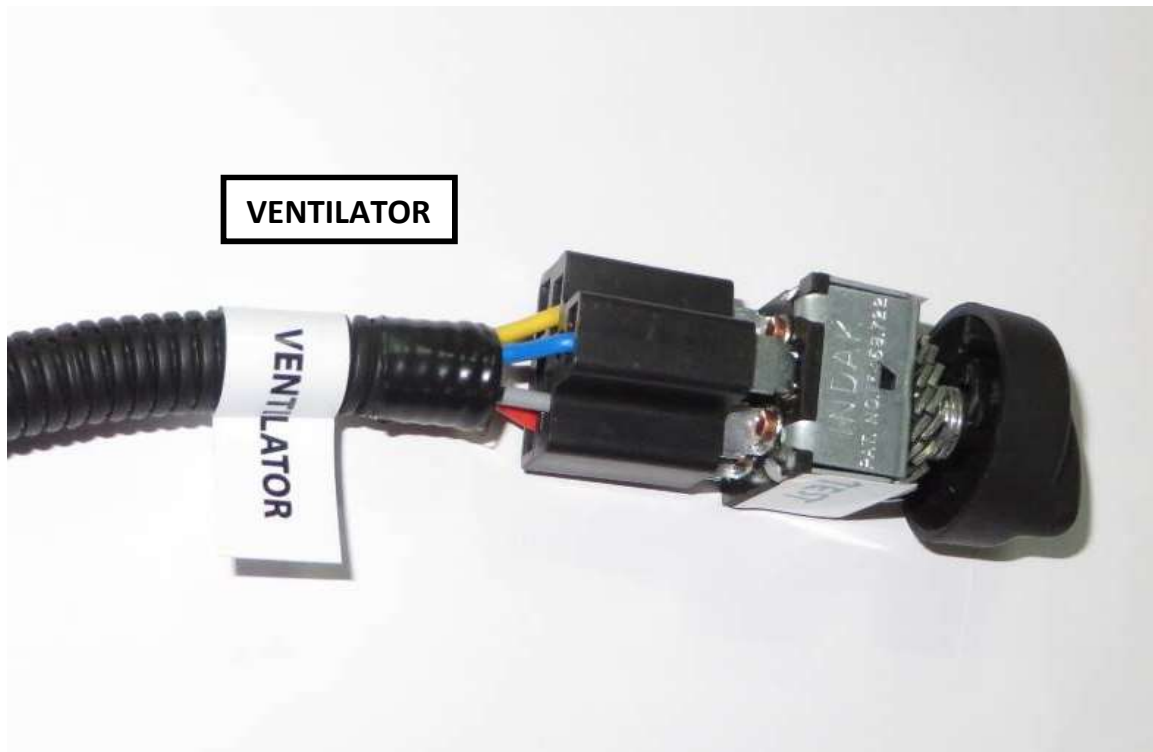
Connect the ventilator harness branch with the ventilator switch.



Detailed scheme of the ventilator connector connection.



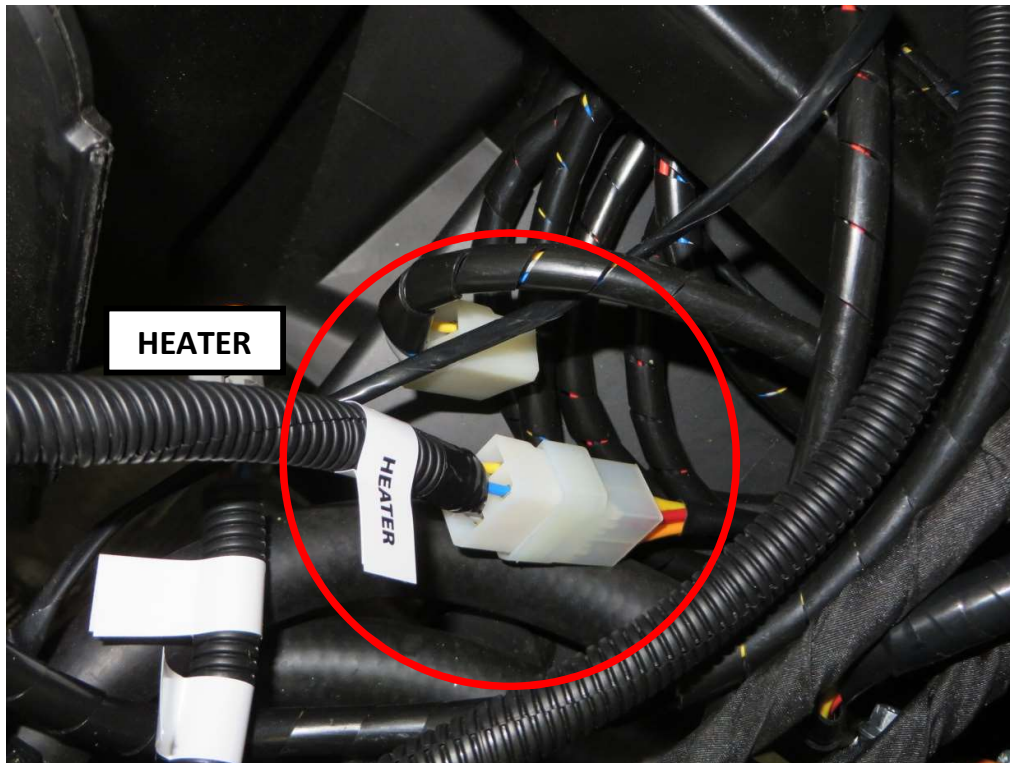
Connect the ventilator harness branch with the ventilator switch. Detail view.



Route the hot air hoses to the holes for air vents.



Connect the heater connector with the heater harness (red circle).



***It is absolutely necessary to bleed the air out of the UTV's engine cooling system. Incomplete bleeding of cooling system can result in engine damage. If you don't have sufficient experience with this process, we strongly recommend professional service technician assistance. We are not responsible for damages when cooling system bled incompletely. Please note that additional heater system will absorb more than 2 liters of coolant fluid.***

- 1. Important: After the heater system installed check the system for leaks. Turn on the electric vent switch and confirm that the engine is cold. Start the engine, open bleeding valve and wait until engine warms up. Important: Always check engine temperature – if it overheats turn of engine.***



- 2. To achieve engine operating temperature depress the accelerator to increase The engine RPM. This will increase the pressure and flow of the water pump forcing more coolant through the heater. After operating temperature ceache turn of engine and open it. Trapped air should come out from heater system throughout bleeding valve.***

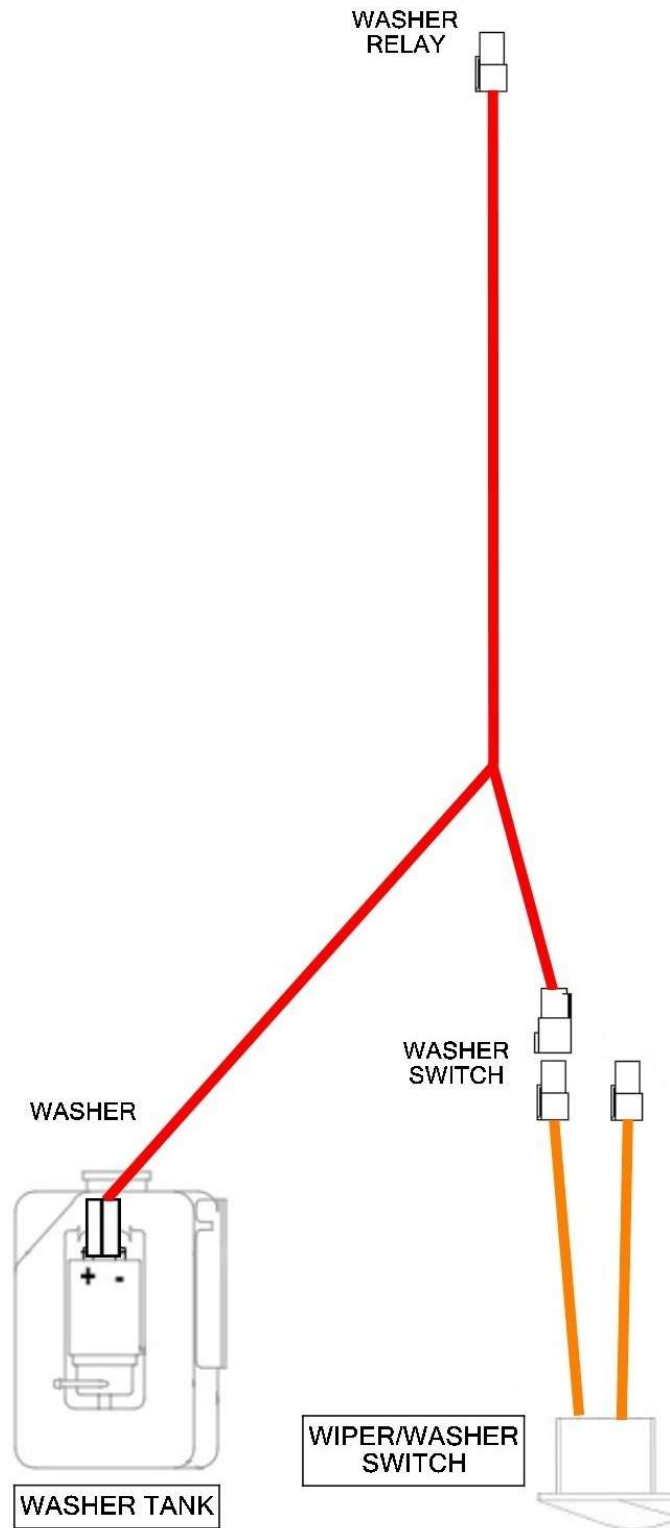
***Repeat this procedure until heater/cooling system is completely bled out.***

***The DFK Cab heater, like the heater in a car, generates heat from the vehicle's engine. In nearly all cases, the heater should generate enough heat from your UTV, side by side, or tractor engine that you may need to turn the heater off periodically otherwise the air in the cabin may be too hot.***

***It is important to check the coolant level regularly at least 4-5 times during the first several days of operation and fill as necessary until the coolant level has stabilized.***

***The heater will draw and retain coolant, sometimes at the expense of coolant to the engine. This can cause engine overheating if not managed properly.***

**WASHER WIRING DIAGRAM**



16



Mount the washer tank holder onto UTV frame with included fixing assembly.



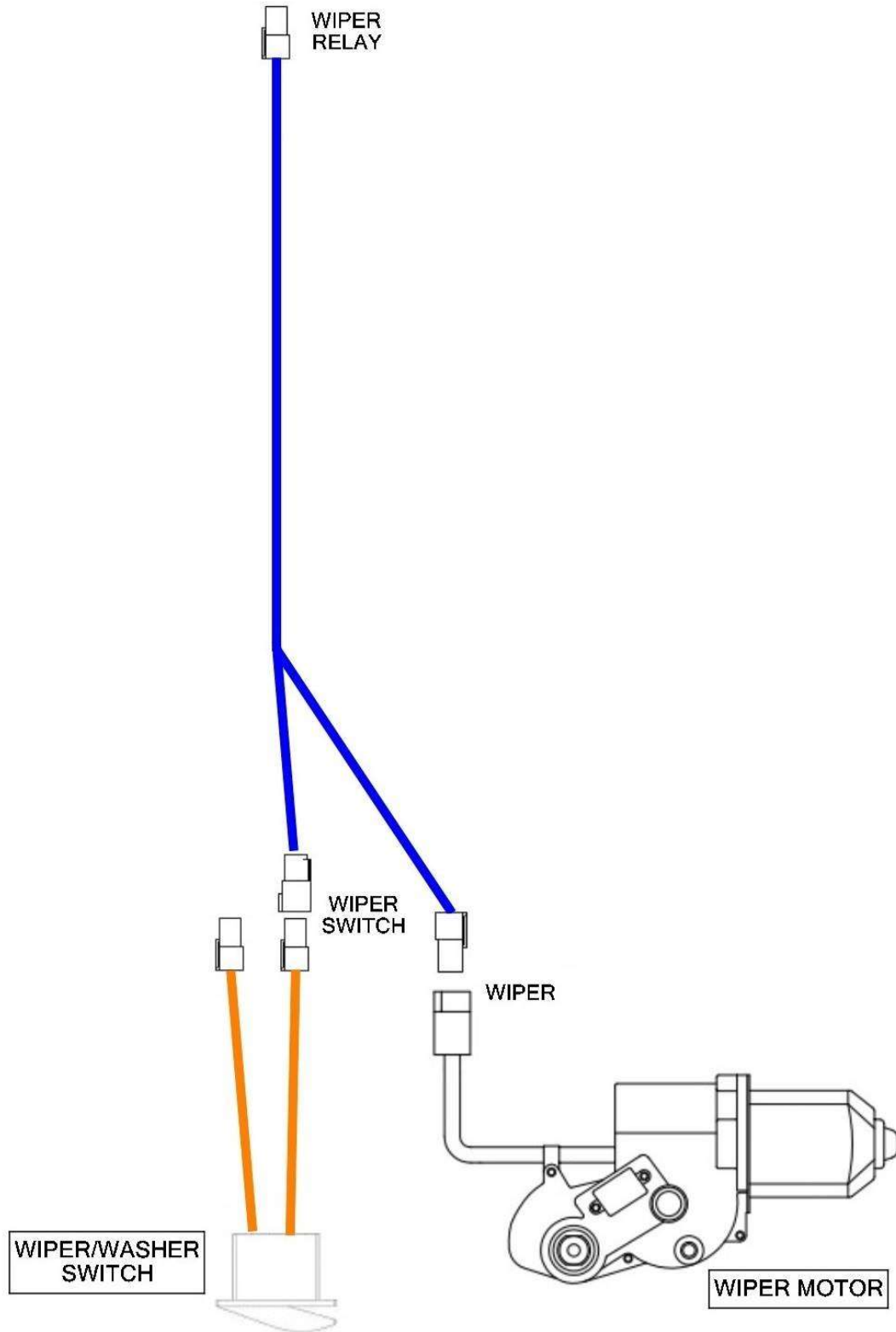
Fill the washer liquid into the washer tank before first usage.



Connect the washer harness with the washer motor (red circle).



**WIPER WIRING DIAGRAM**



19

View onto the wiper motor with the cover and with the middle ledge.



Place the washer onto the wiper longer pin.



20

Place the washer onto shorter wiper pin.



View onto installed washers.



21

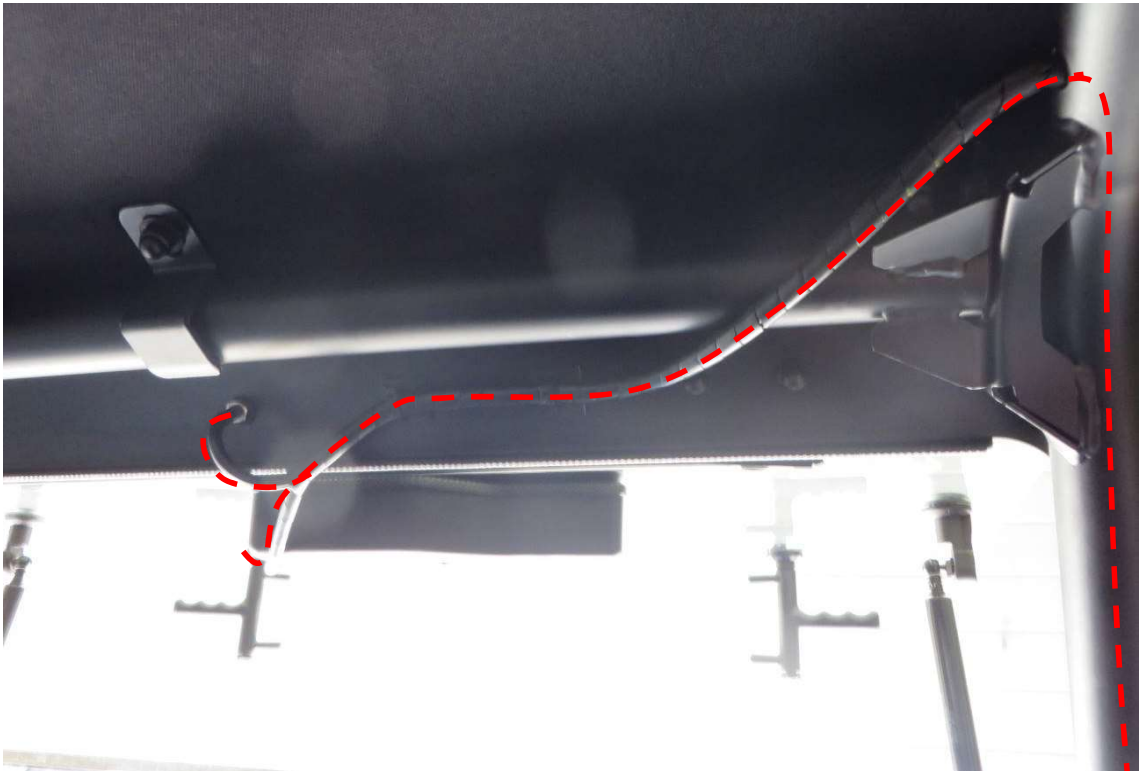
Place the wiper assembly onto the front glass from inner side.  
Insert these washers onto the wiper's pins and onto the glass from outer side.



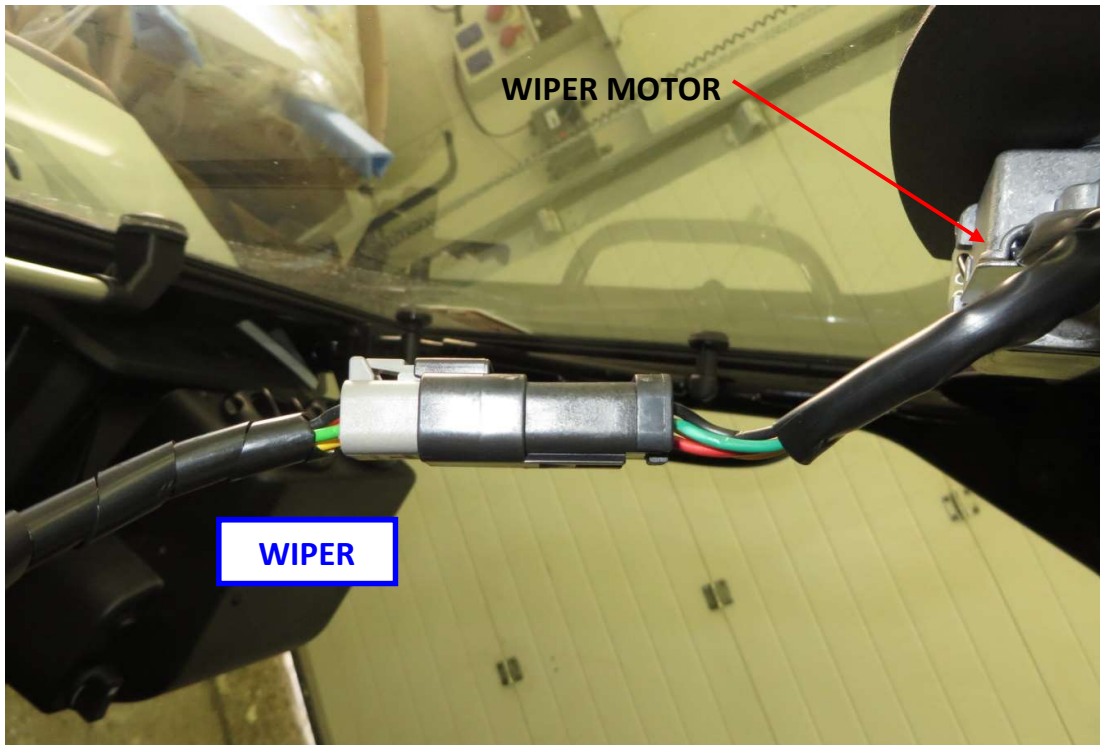
Fix the wiper motor with the front glass by included nuts and tighten these correctly.



Route the wiper harness inside the UTV roll cage from the wiper/washer switch to the wiper motor.



Connect the wiper harness with wiper motor connector. SEE DETAILED VIEW



Wiper/washer switch position on the dashboard (red rectangle).





Original electroinstallation point for harness connection.



Connect the relay harnesses to the original electroinstallation.

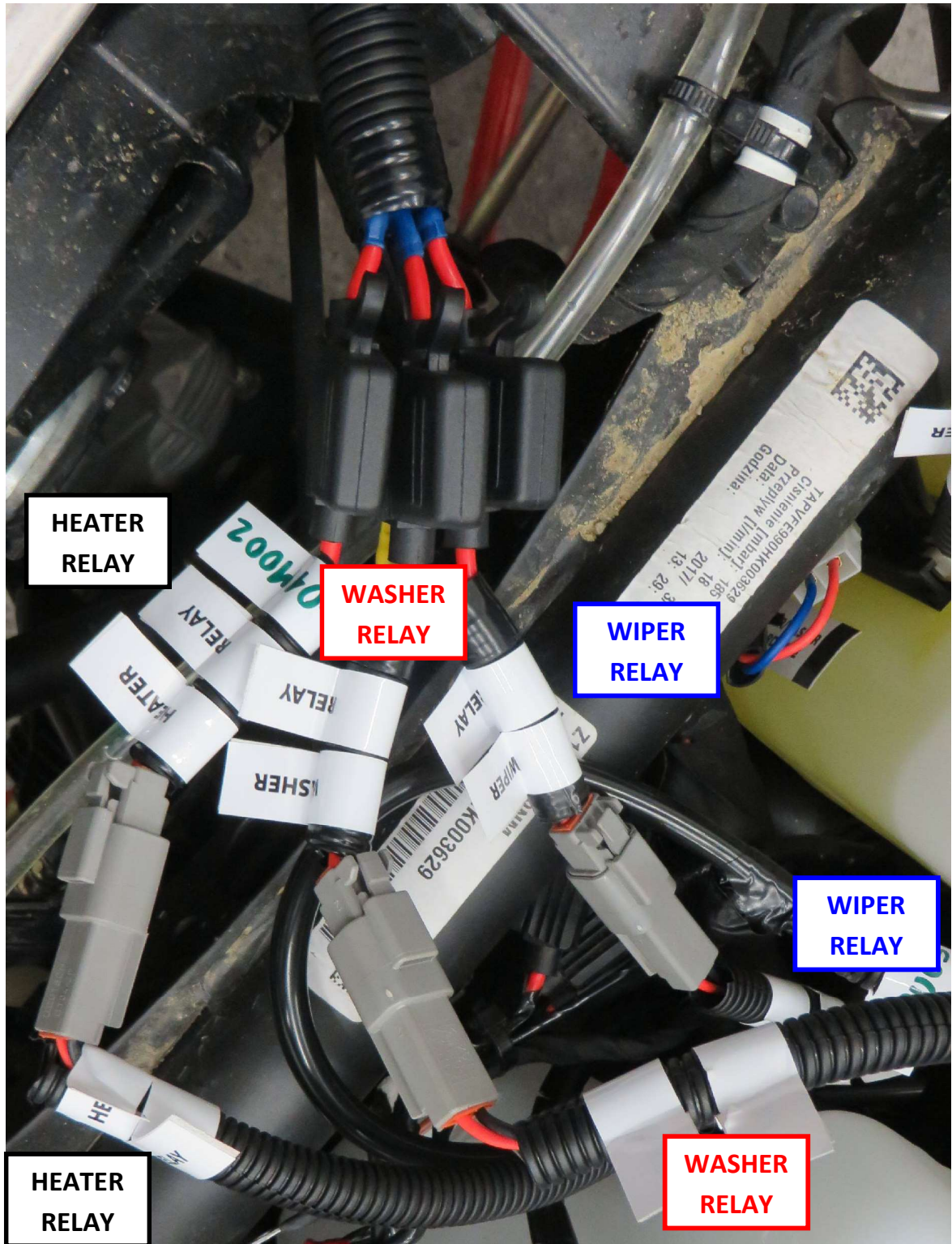


Route the wiper, washer and heater harnesses through the hole in the partition.



26

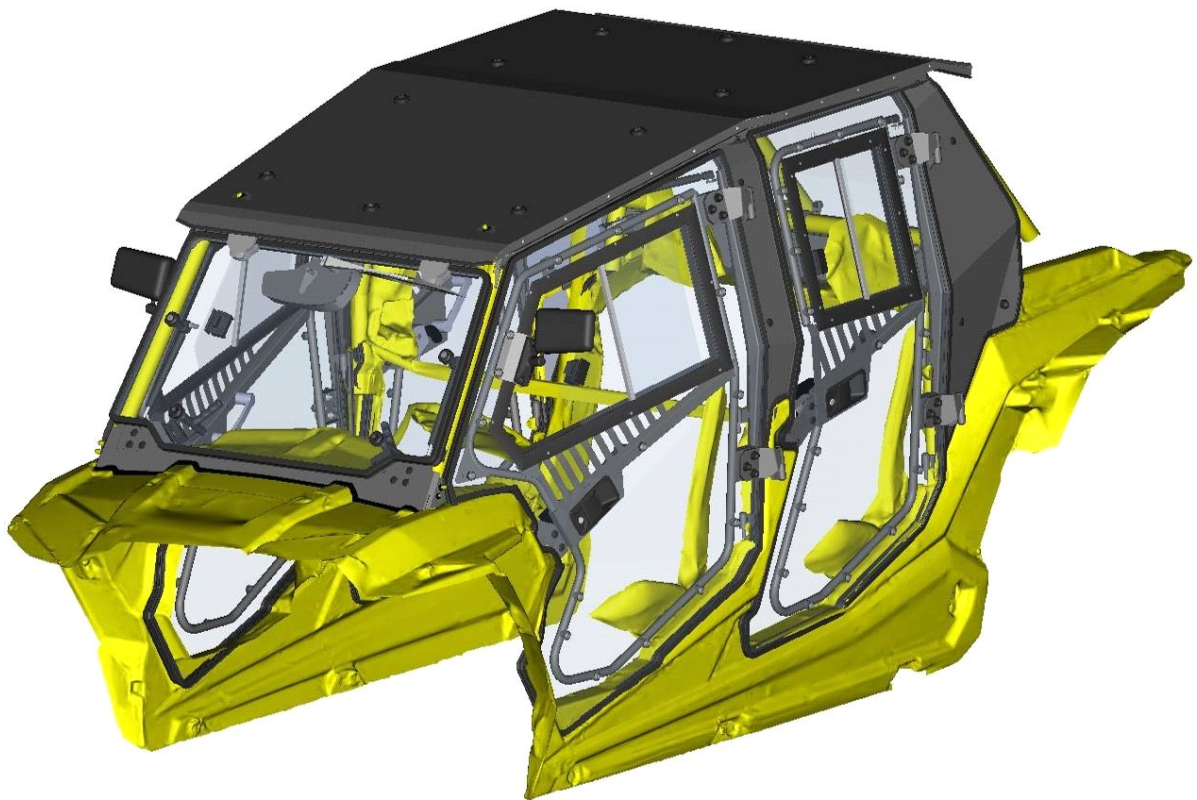
Connect the wiper, washer and heater harnesses with the relay harness.



**PREPARATION FOR INSTALLATION:**

Uninstall all additional systems from the roll cage (work lights, rear mirrors, drink holders etc.)

**CAB PREVIEW**



28

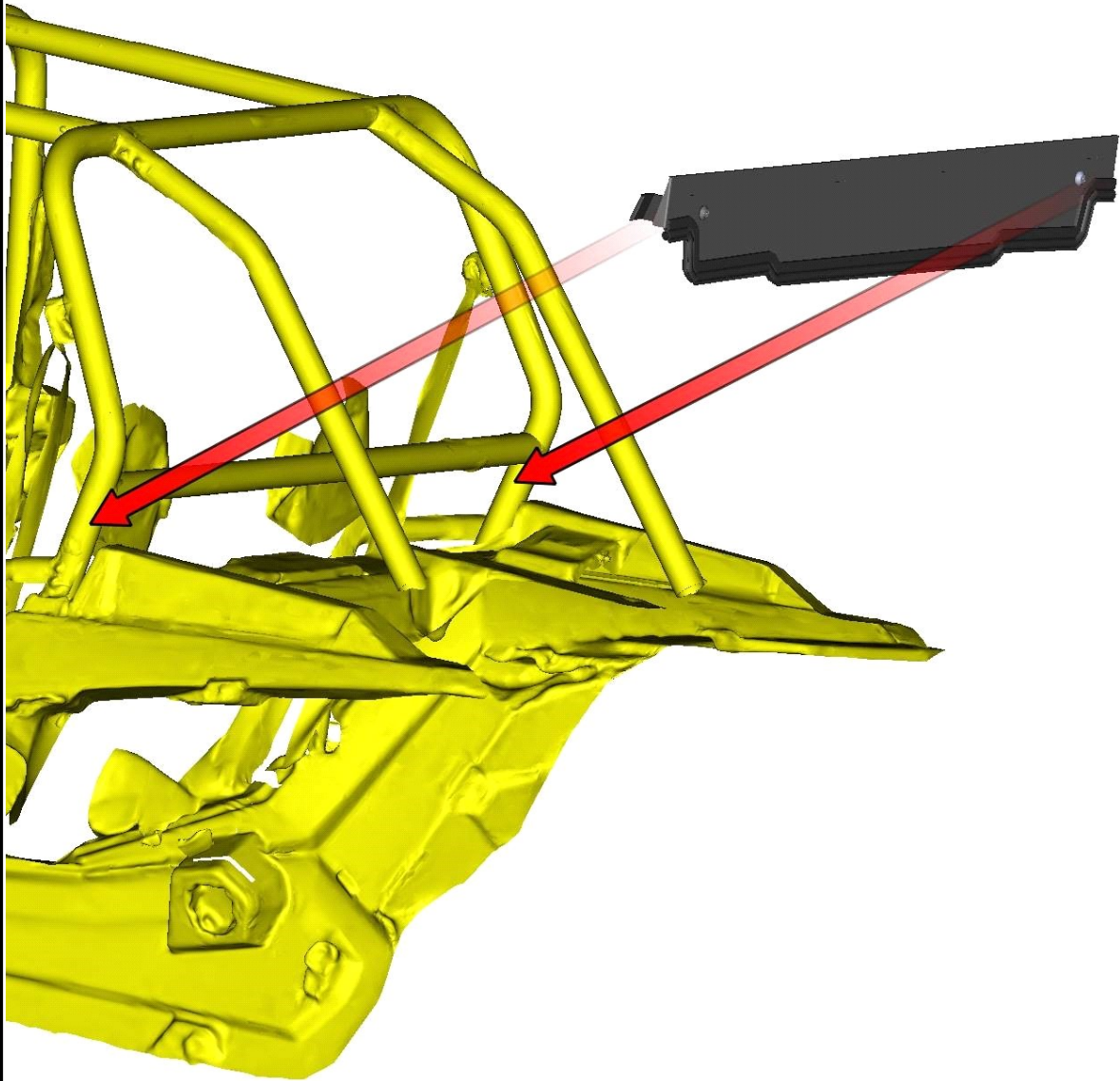
**REAR PANEL**

Loosen the rear bottom panel holders bolts (red circles) and turn the holders out of the way.



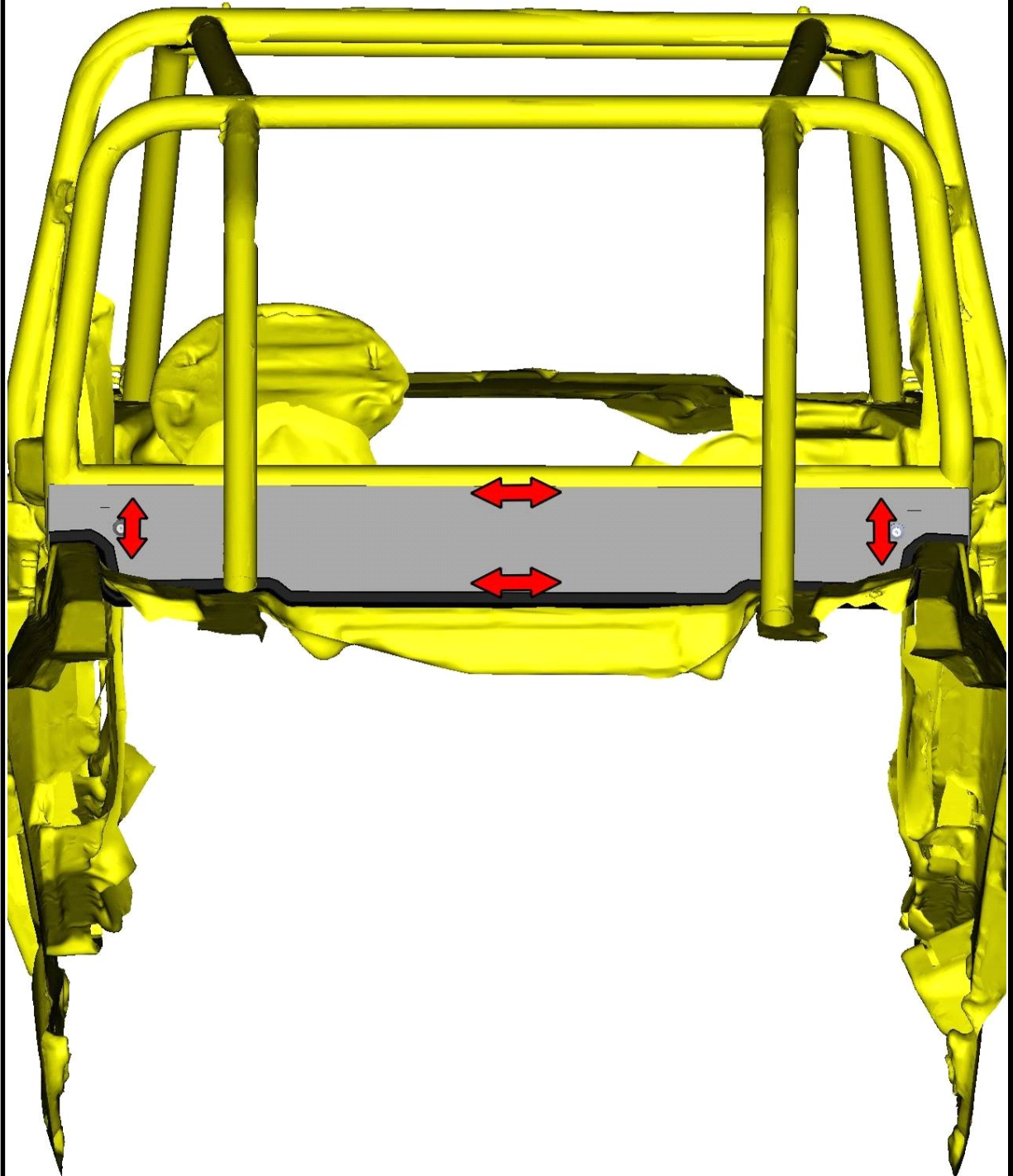
29

Place the rear bottom panel onto the UTV roll cage.



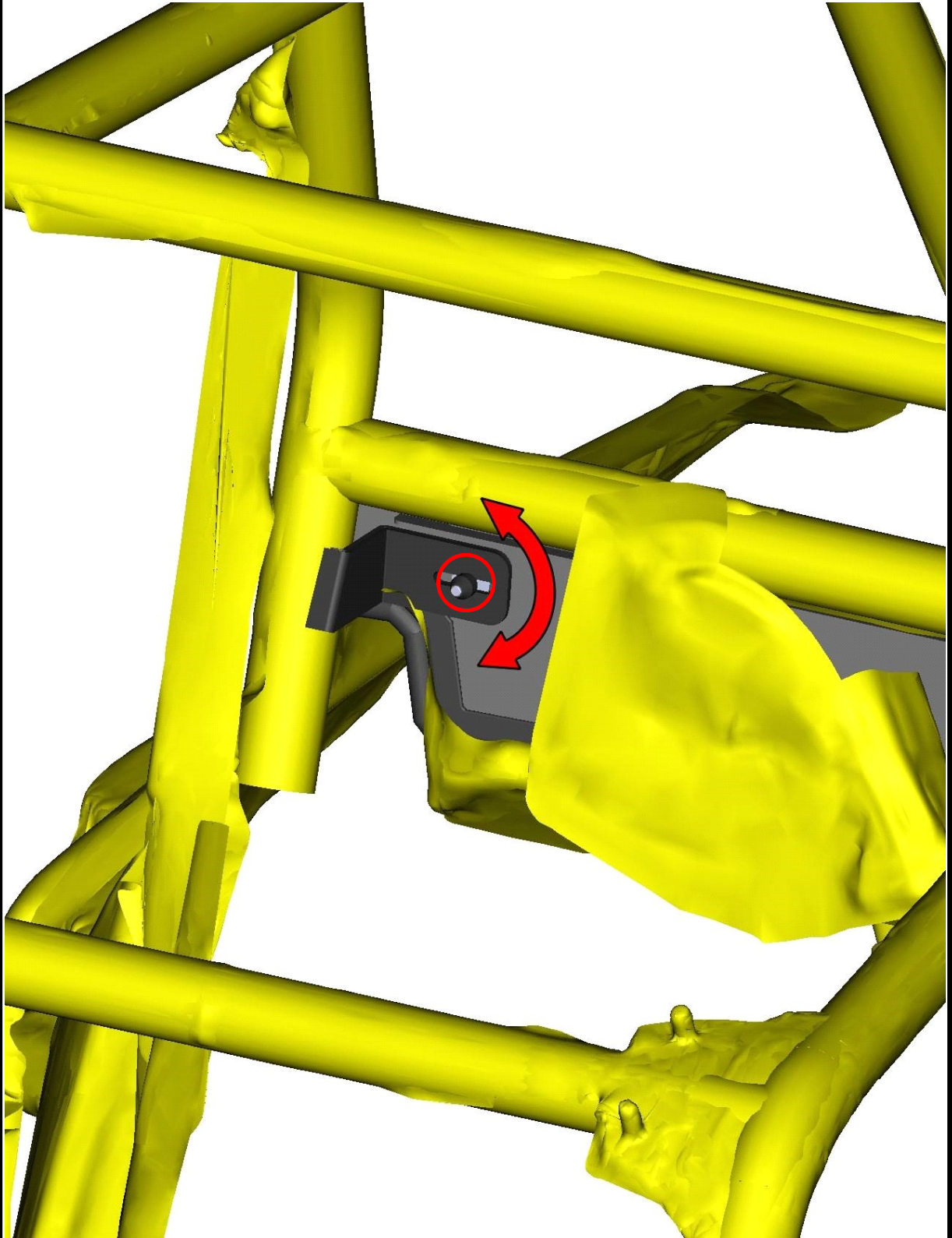
30

Adjust the rear bottom panel to the best position.



31

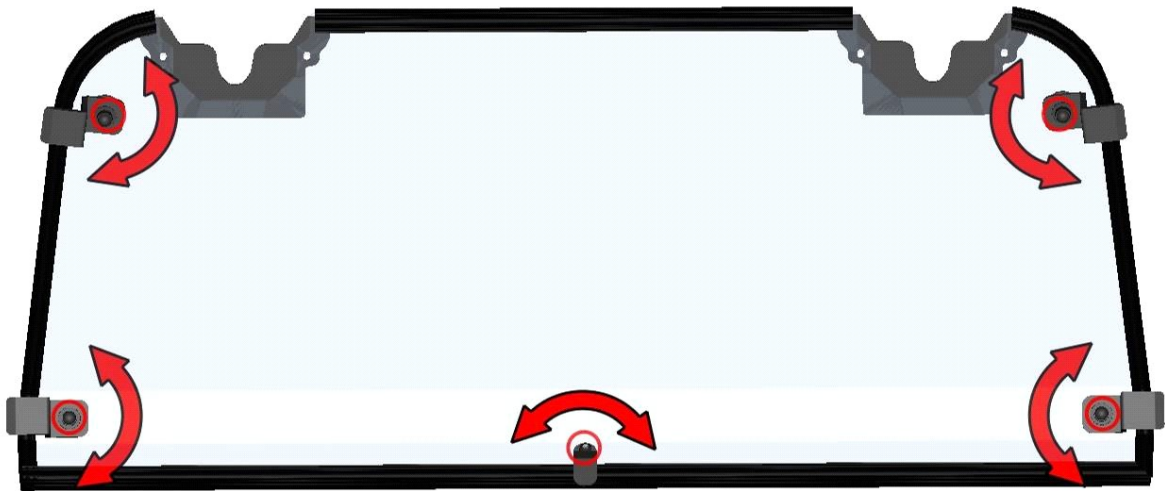
Turn the rear bottom panel holders to the correct position and tighten the holders bolts hard (red circle) on both sides.



32

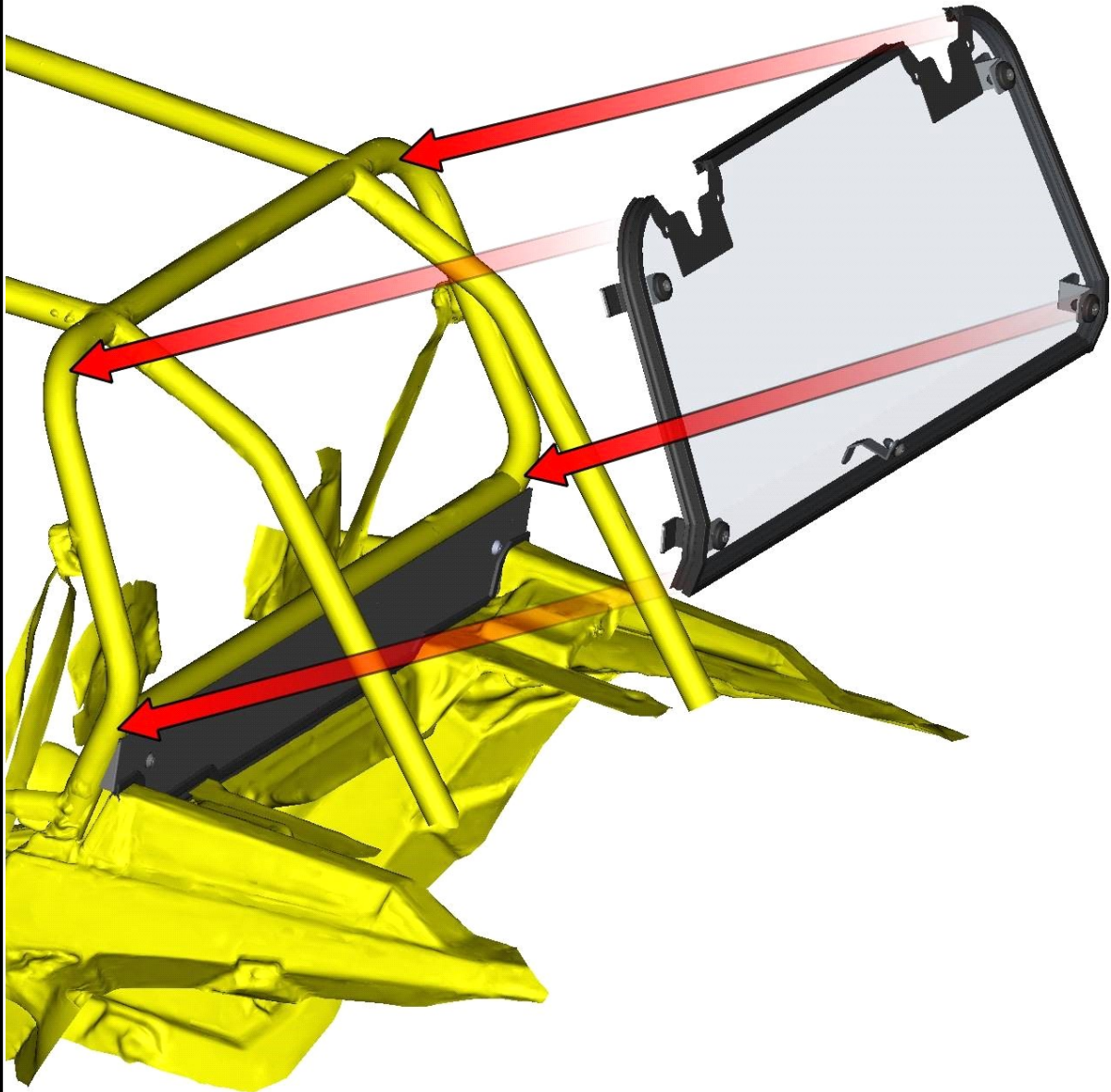


Loosen the rear upper panel holders bolts and turn holders out of the way.

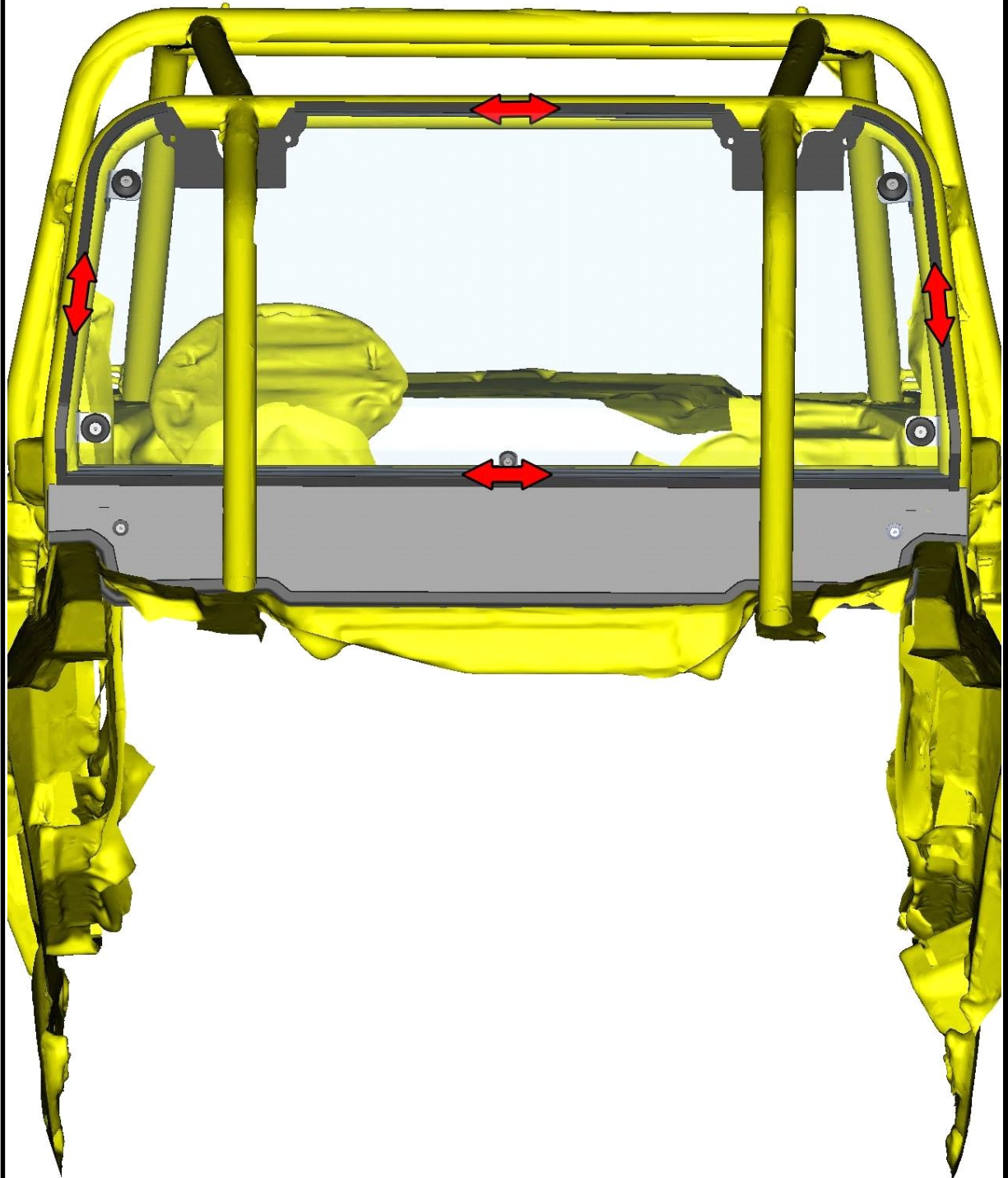


33

Place the rear upper panel onto the UTV roll cage.

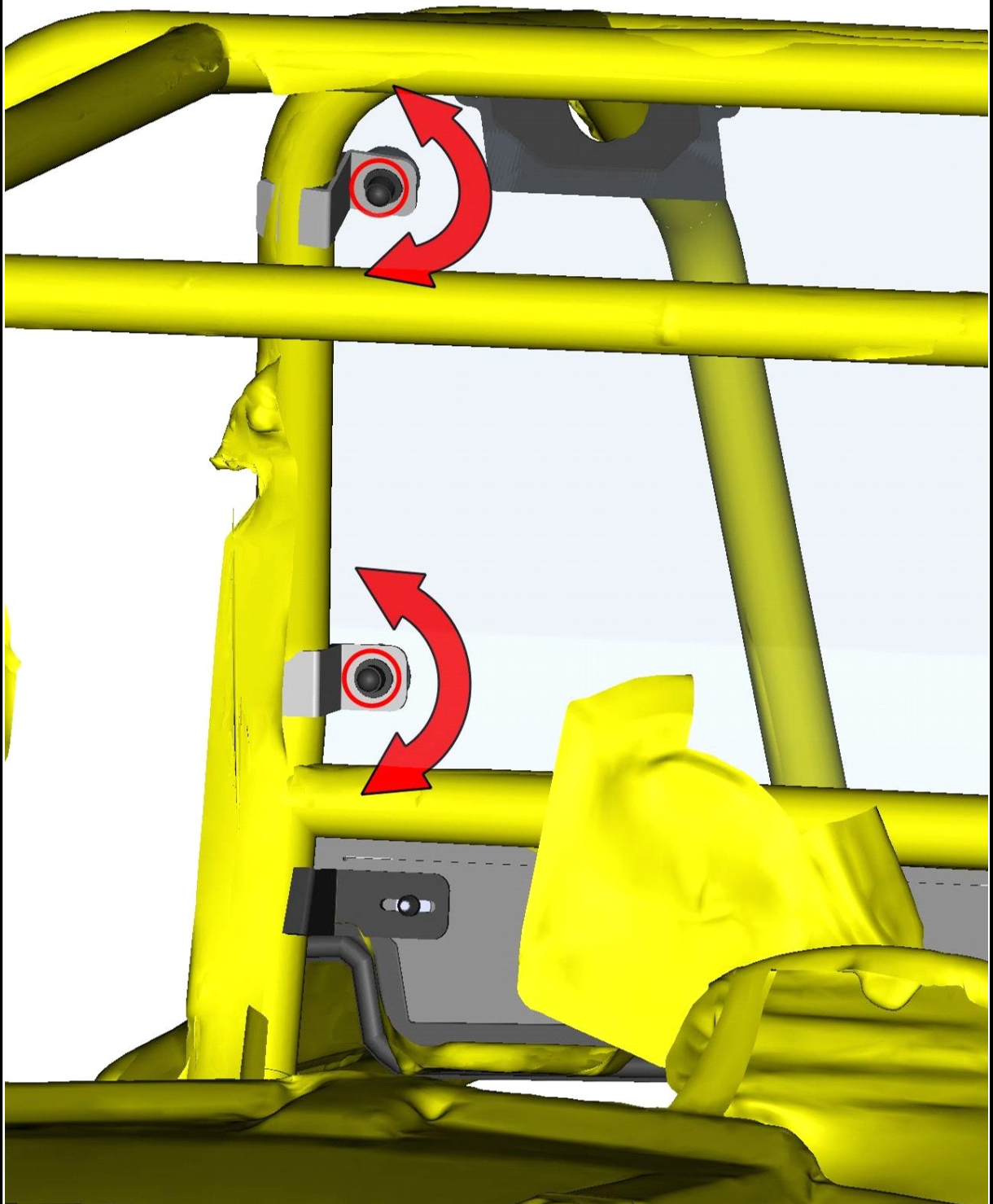


Adjust the rear upper panel to the best position.

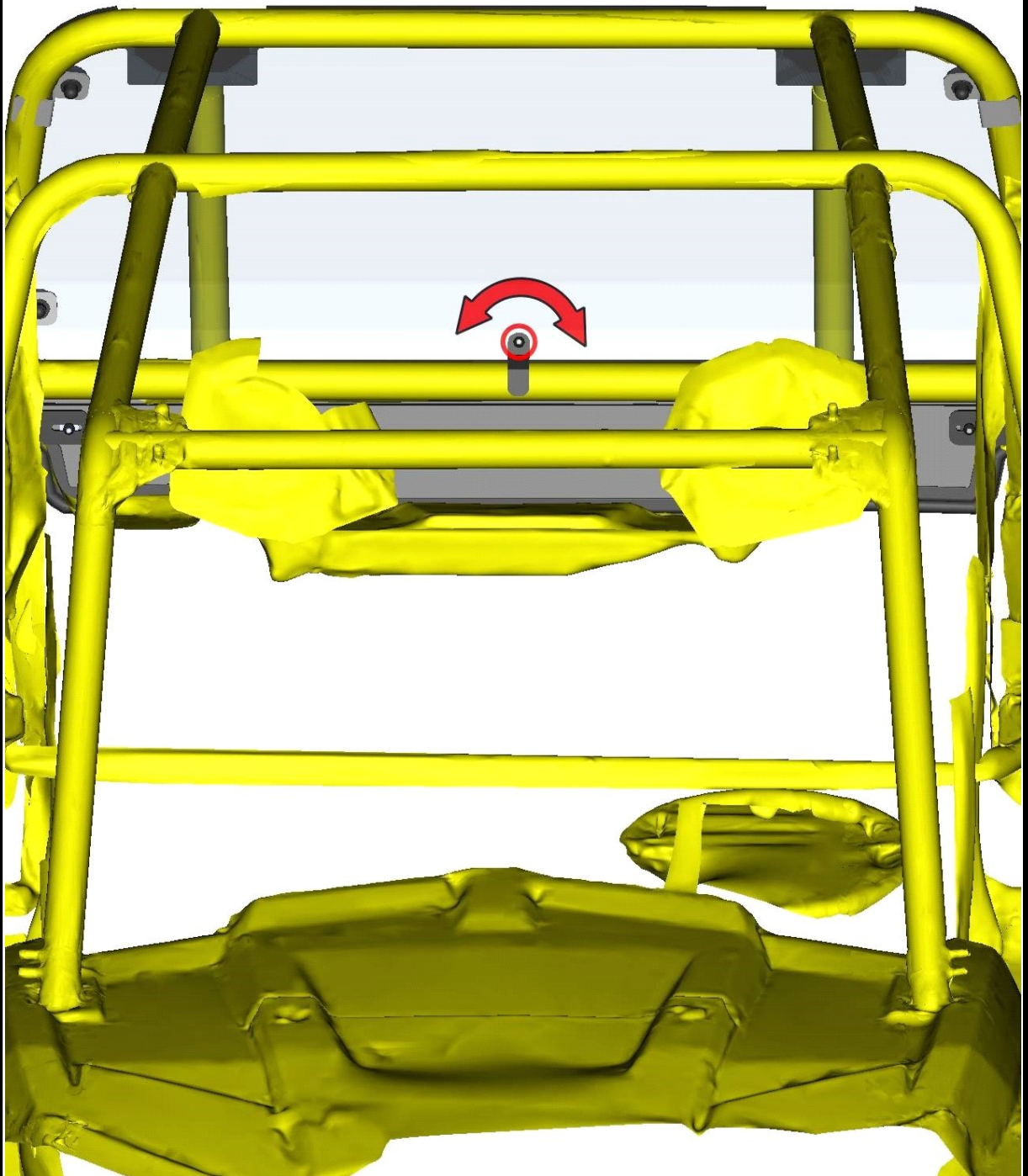


35

Turn the rear upper panel holders to the correct position and tighten the bolts hard (red circles) on both sides.

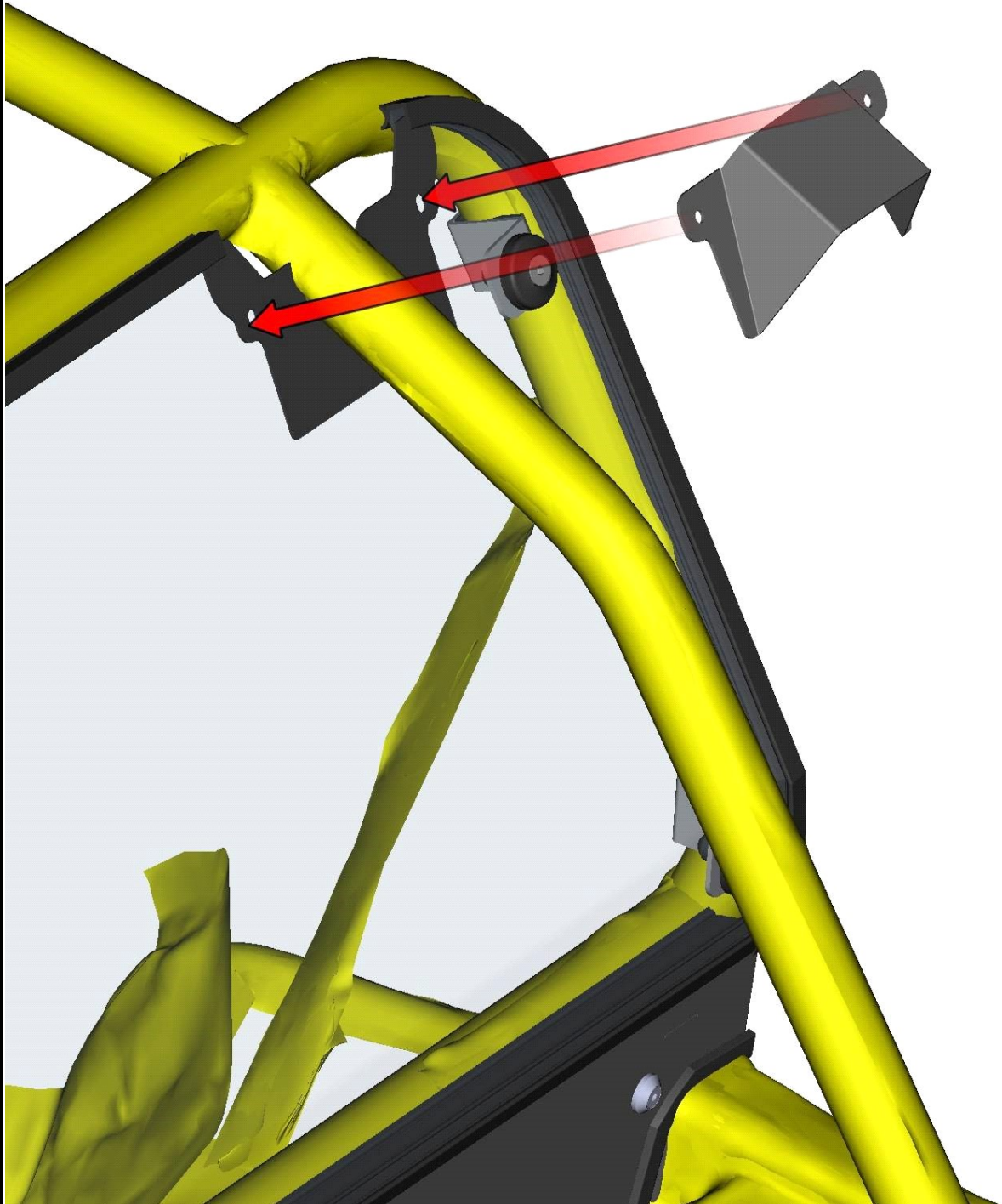


Turn the rear upper panel middle holder to the correct position and tighten the bolt hard (red circle).

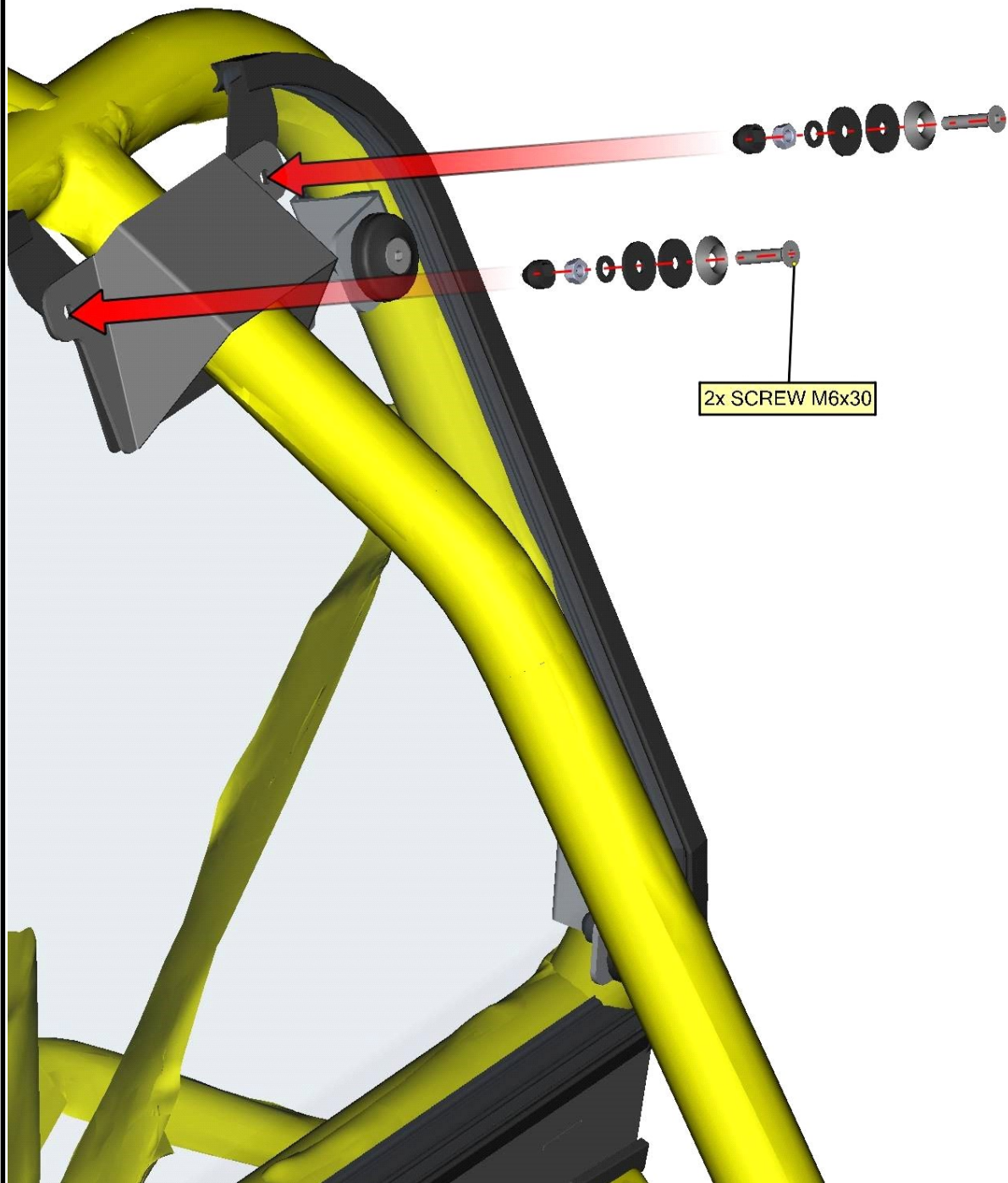


37

Place the rear upper panel rops cover onto the rear upper panel in accordance with the holes on both sides.

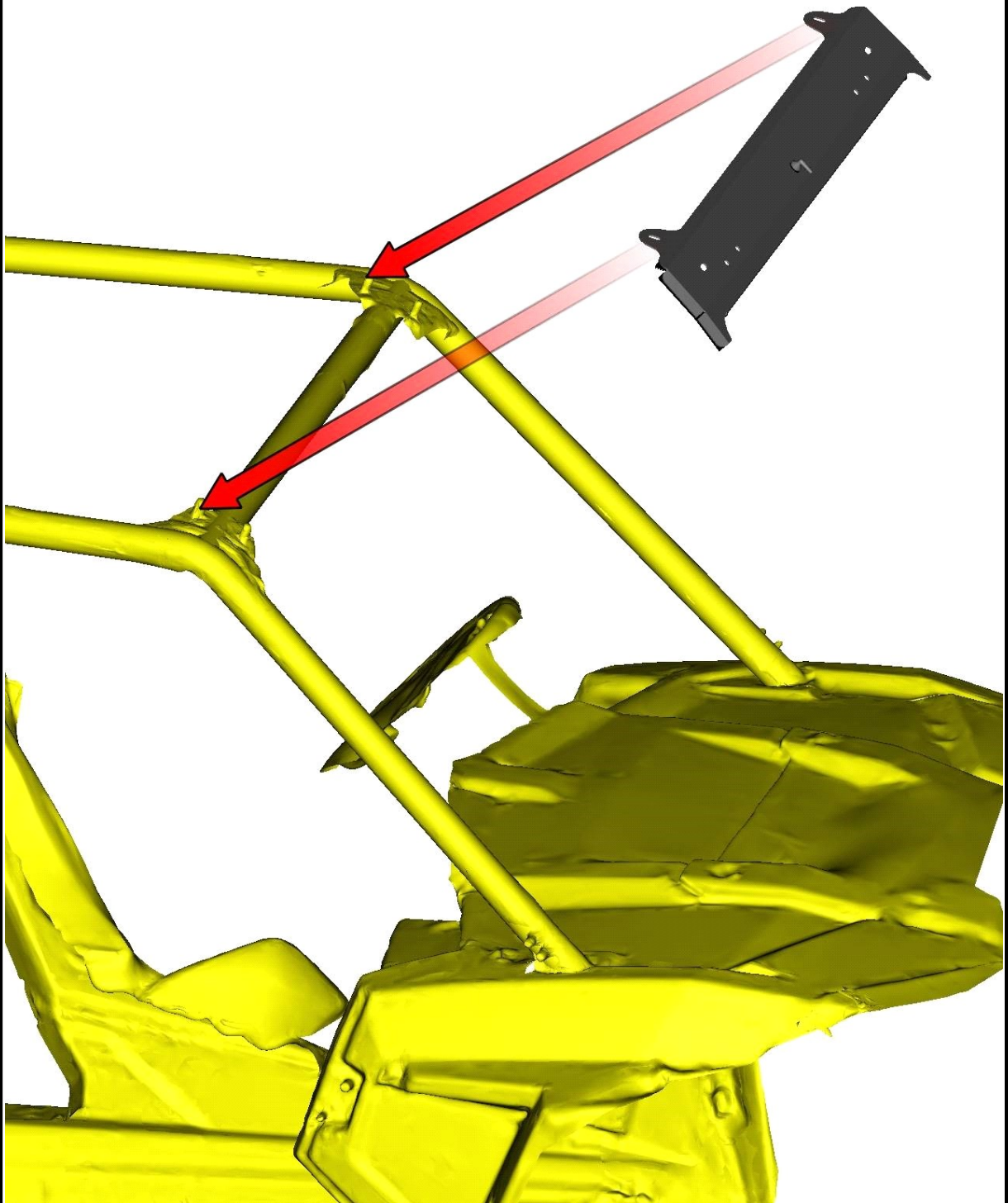


Mount the rear upper panel rops cover with included fixing assemblies on both sides.



**FRONT PANEL**

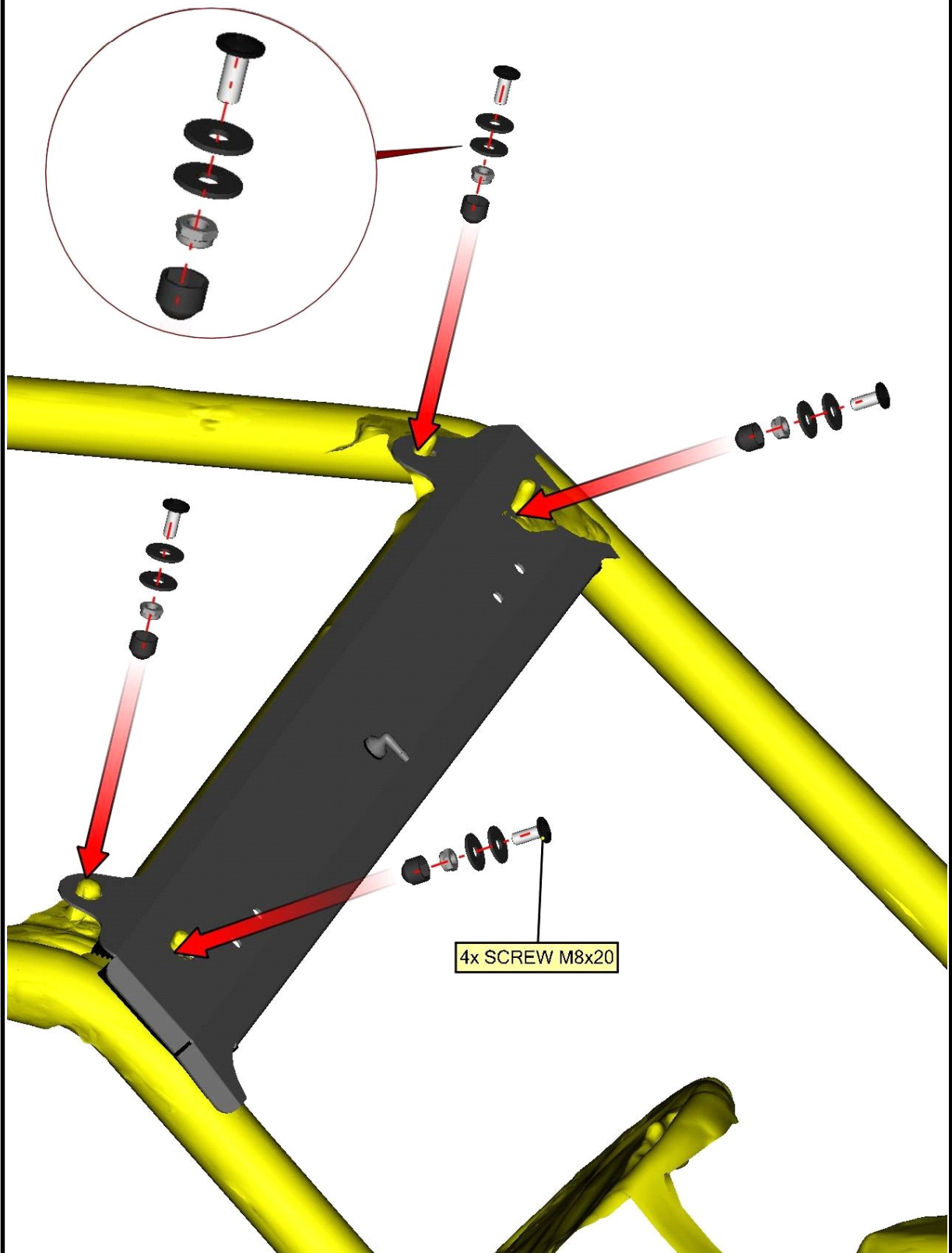
Place the front upper ledge onto UTV roll cage.



40

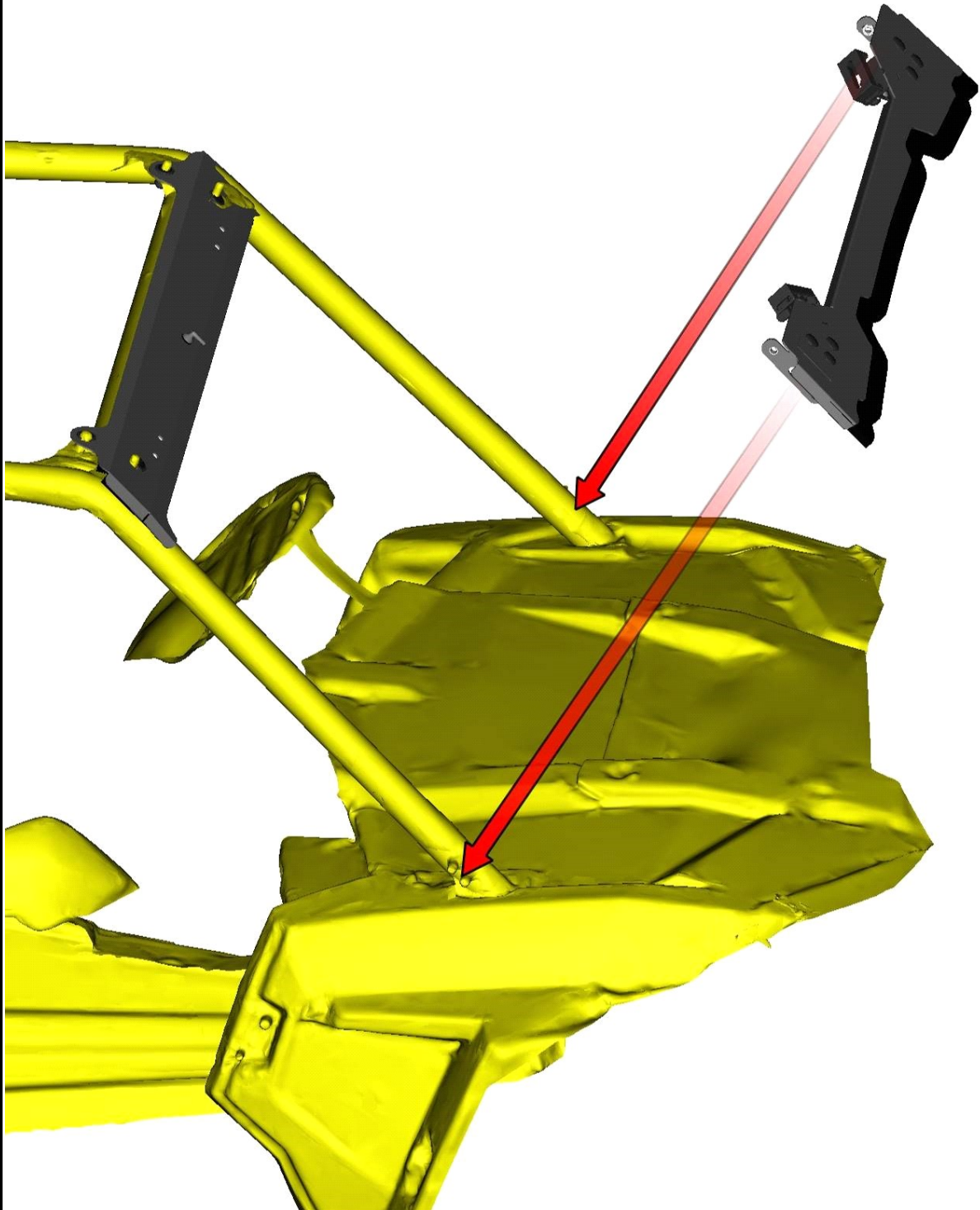
Mount the front upper ledge on the UTV roll cage with included fixing assemblies.





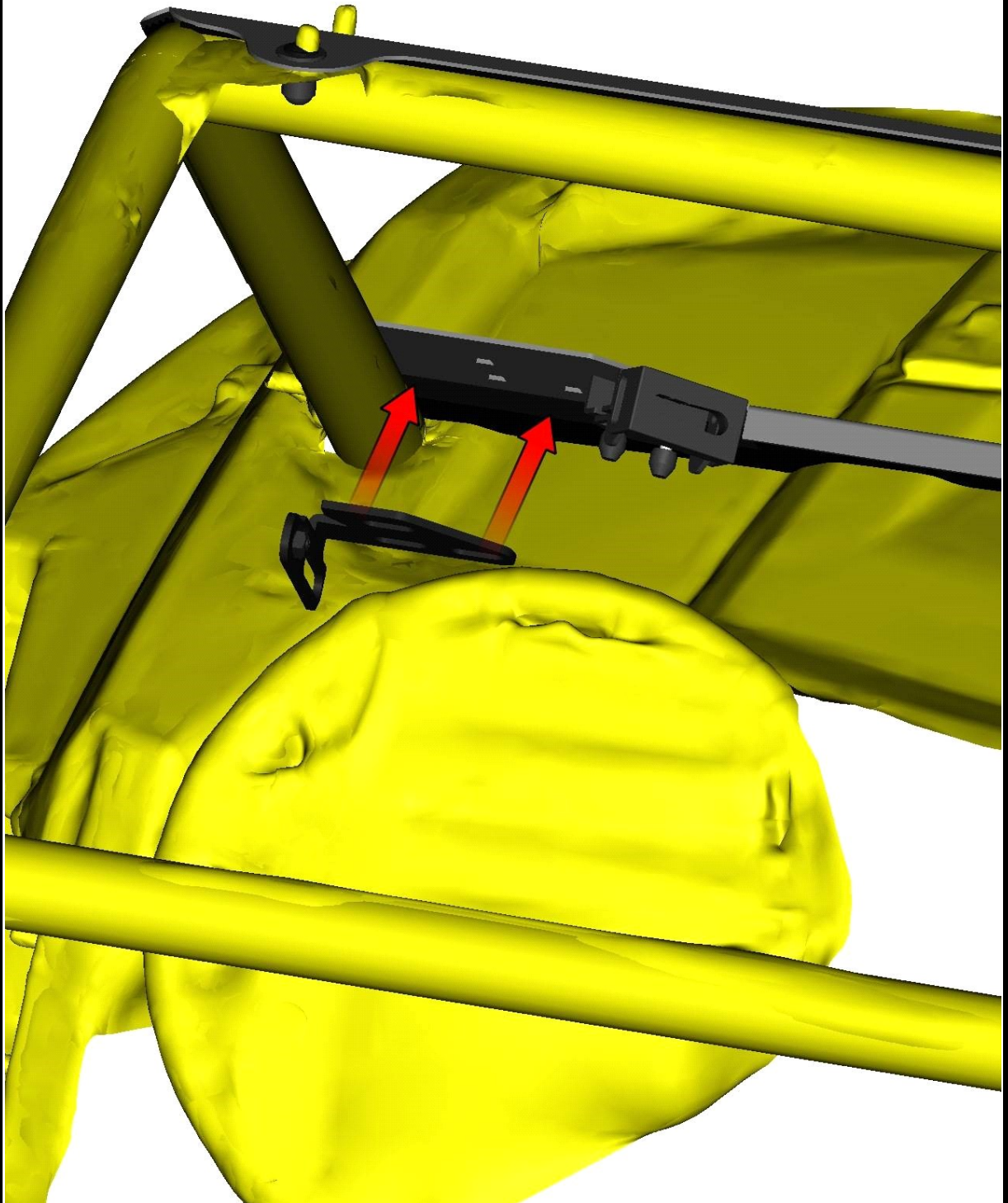
41

Place the front bottom ledge onto UTV roll cage.



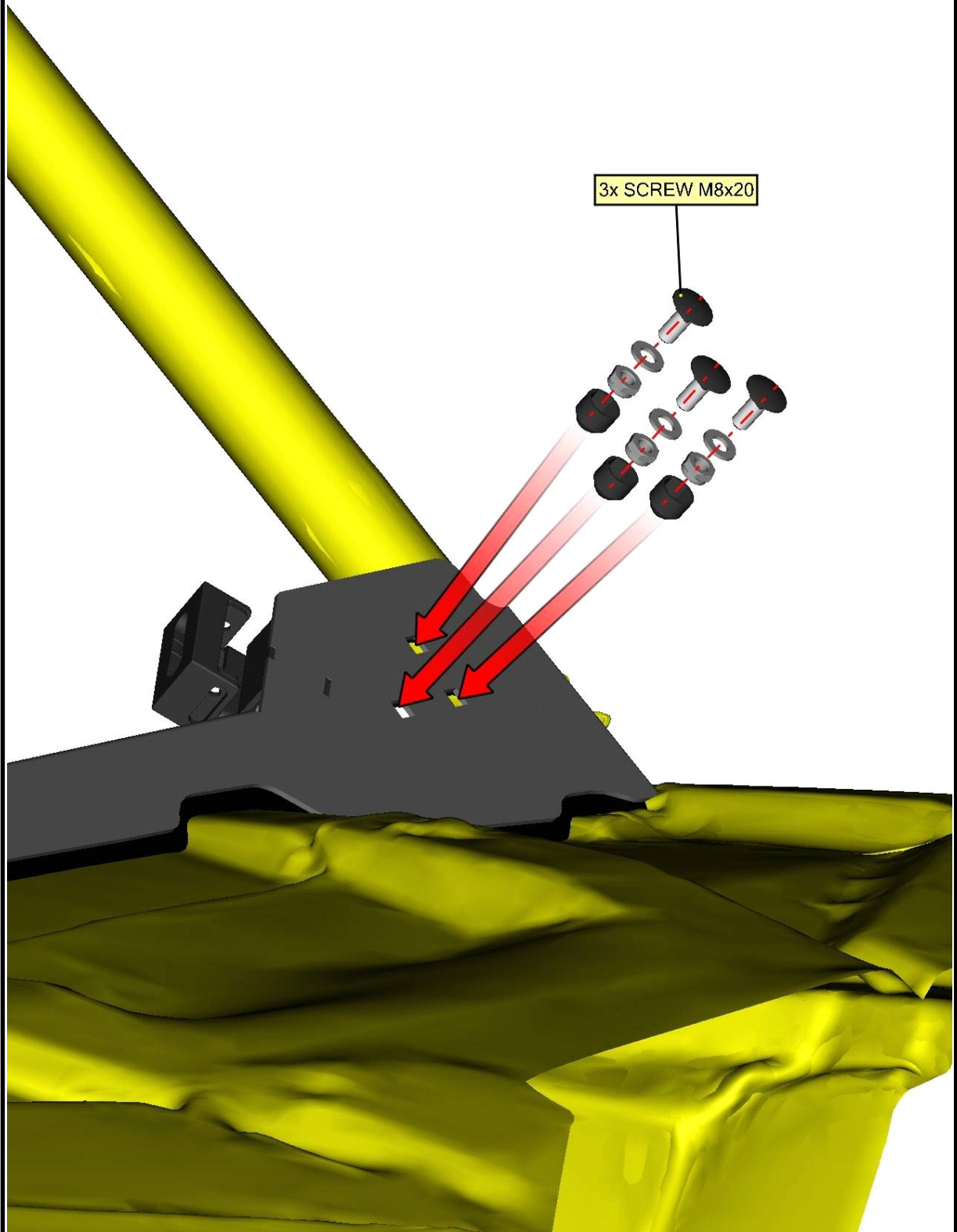
42

Place the front bottom ledge holder on the front bottom ledge in accordance with the holes.

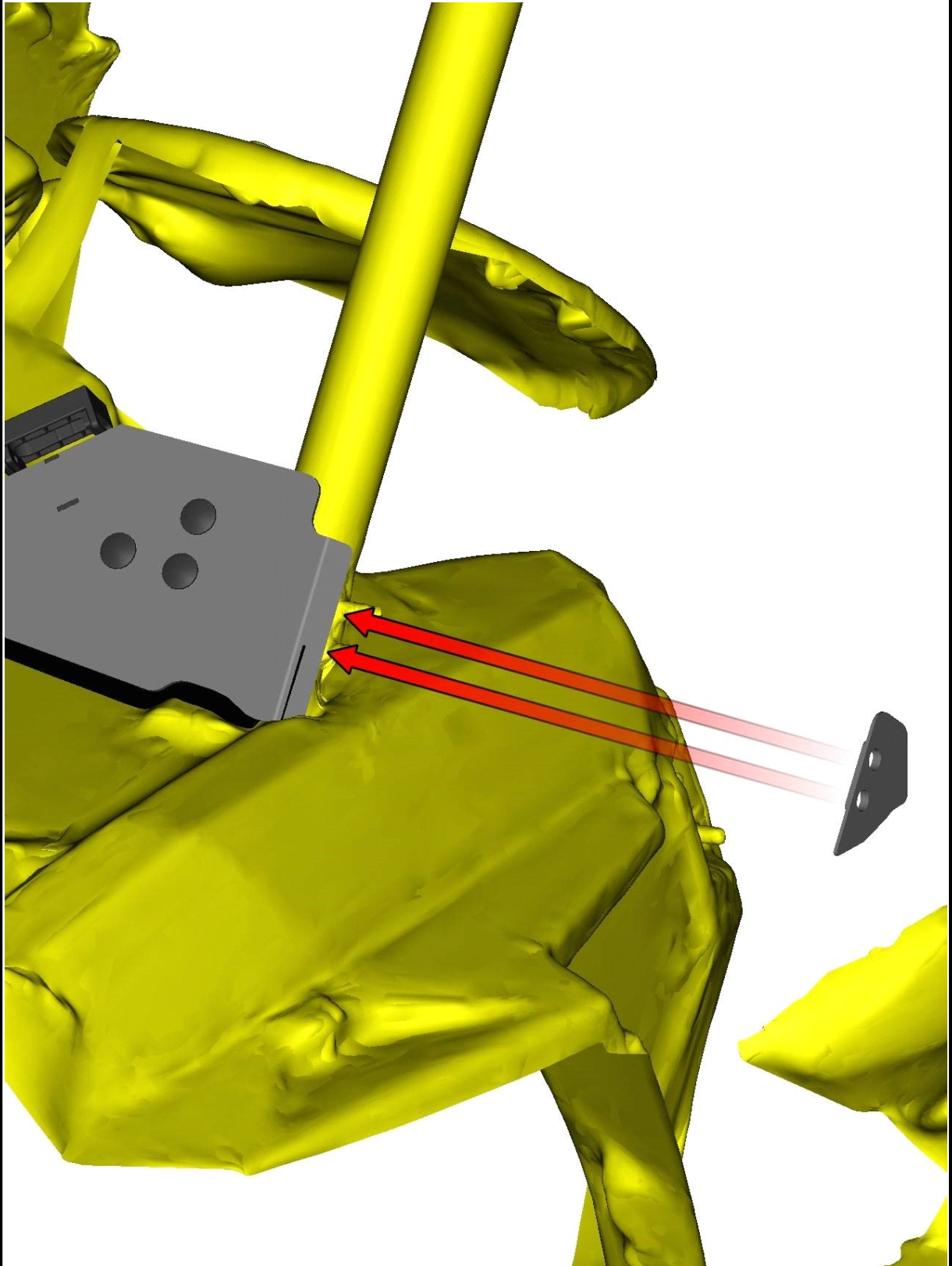


43

Mount the front bottom ledge holder with included bolts, washers, nuts and covers.

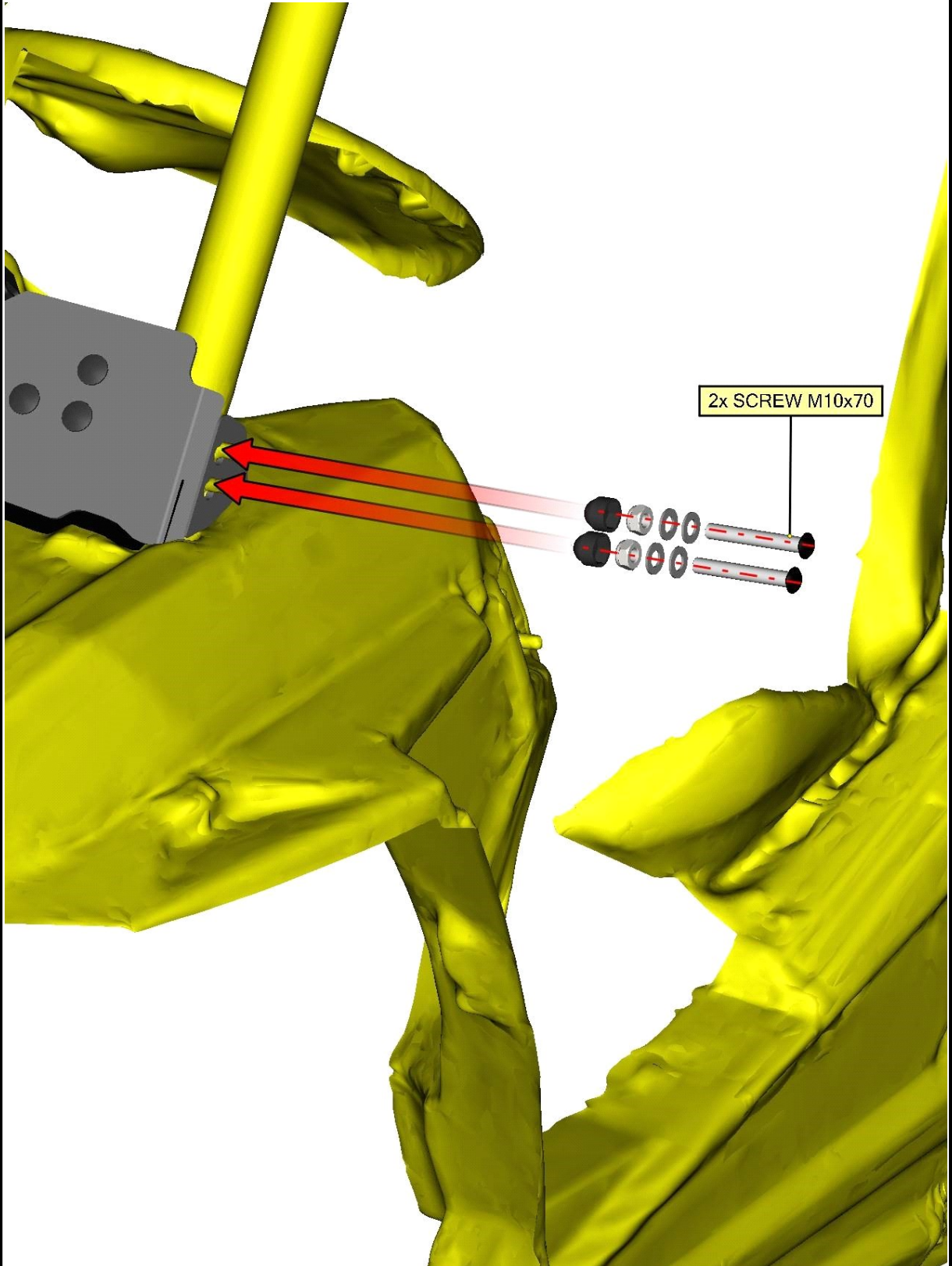


Place the front bottom sealing element onto UTV roll cage.

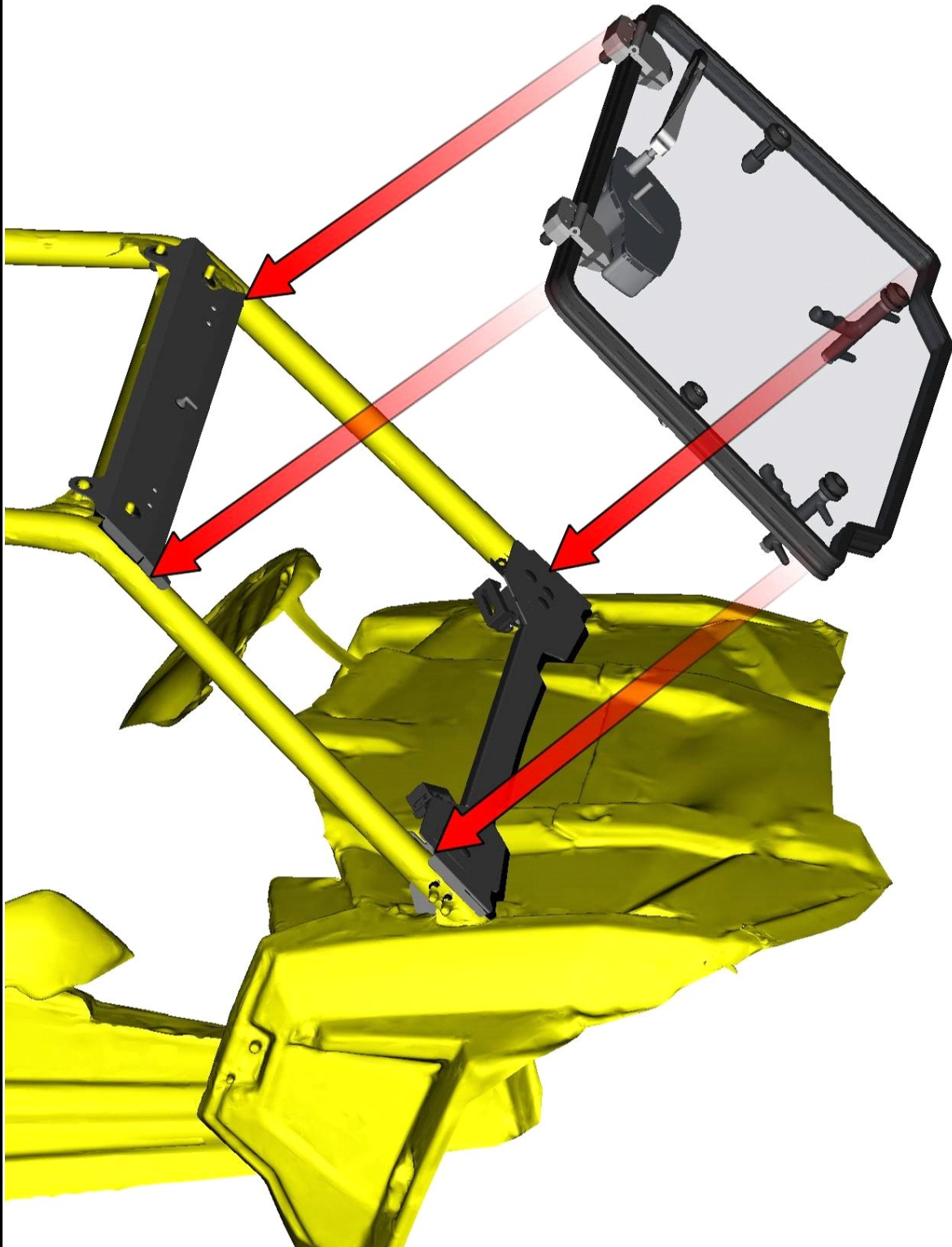


45

Fix the front bottom sealing element with included fixing assemblies.

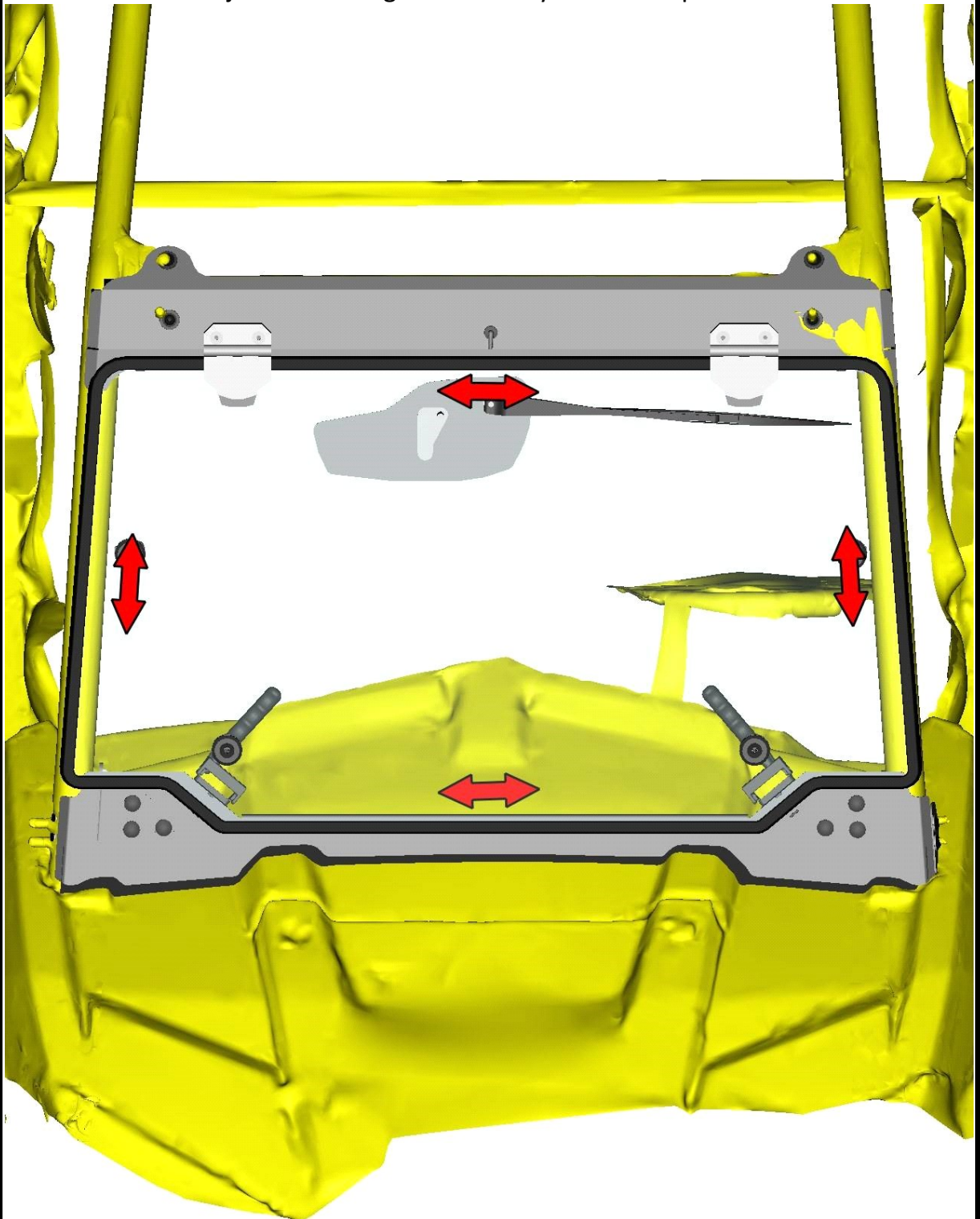


Place the front glass assembly onto UTV roll cage.



47

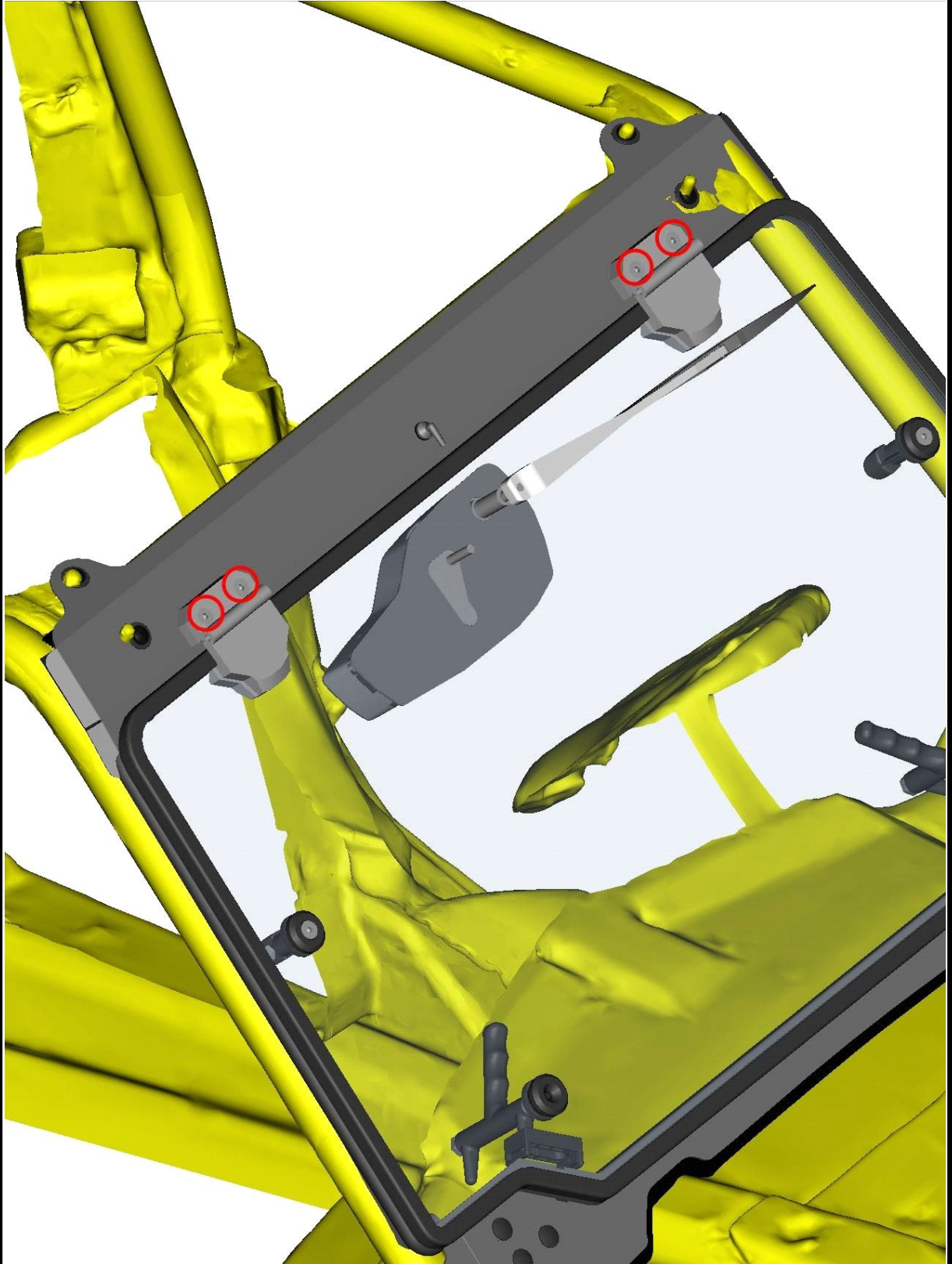
Adjust the front glass assembly to the best position.



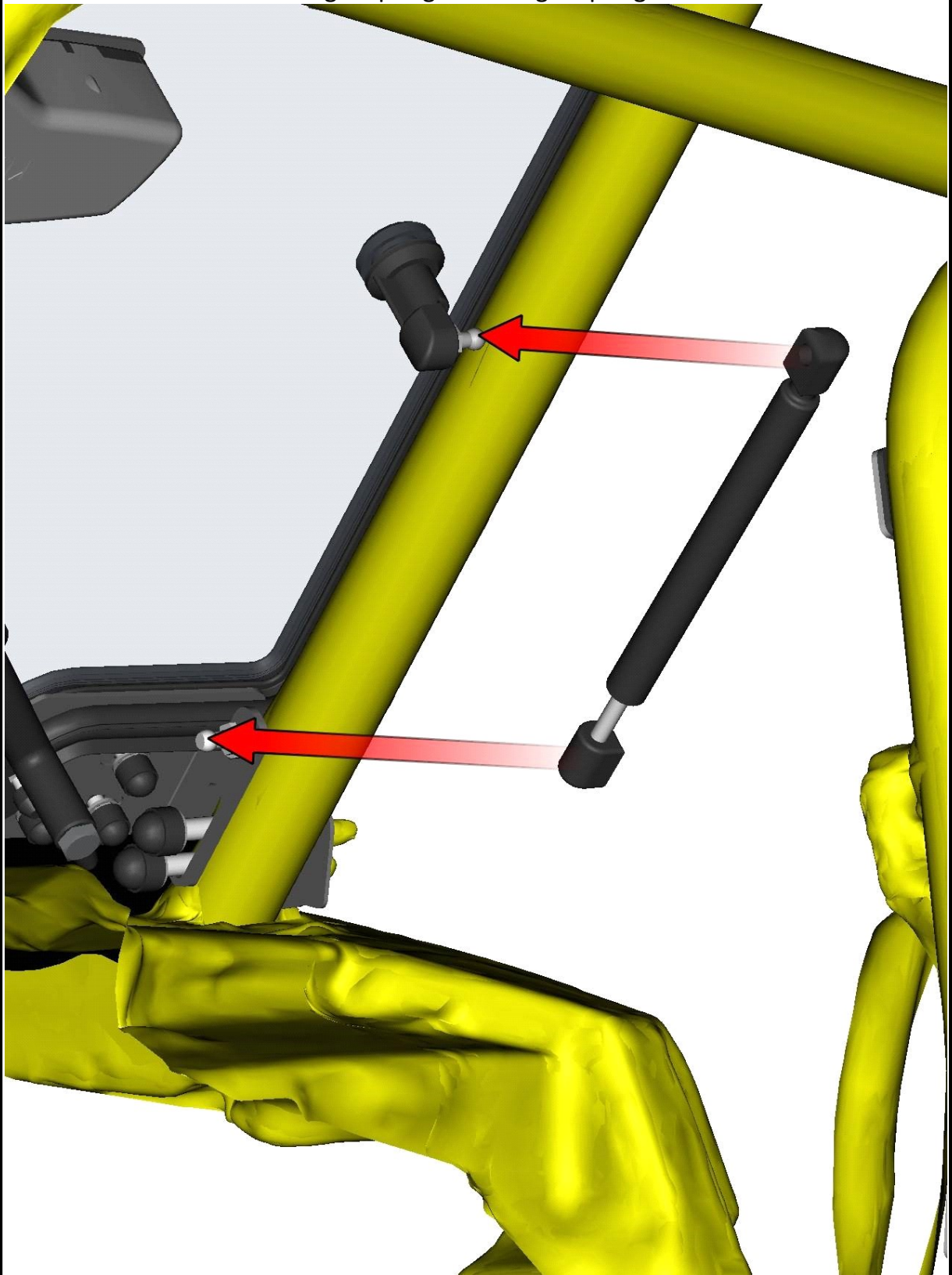
48



Fix the front glass assembly with included fixing assemblies (red circles).



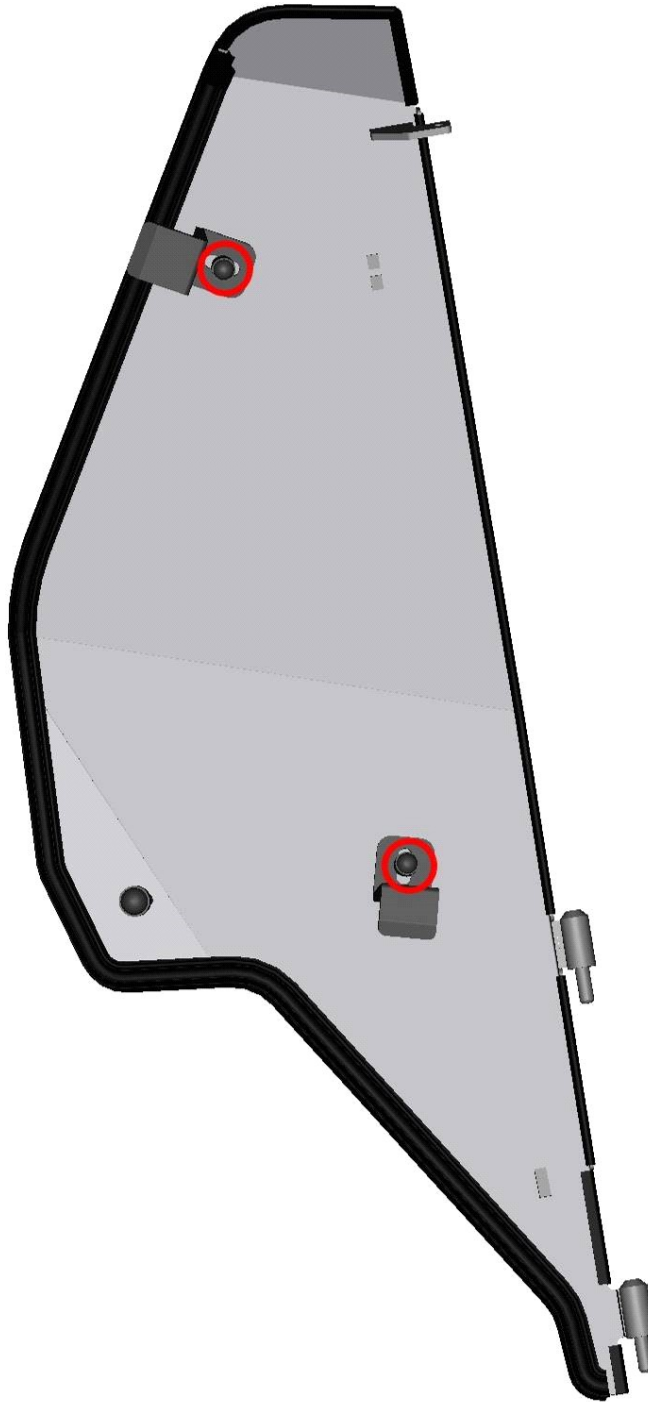
Install the gas spring into the gas spring holders.



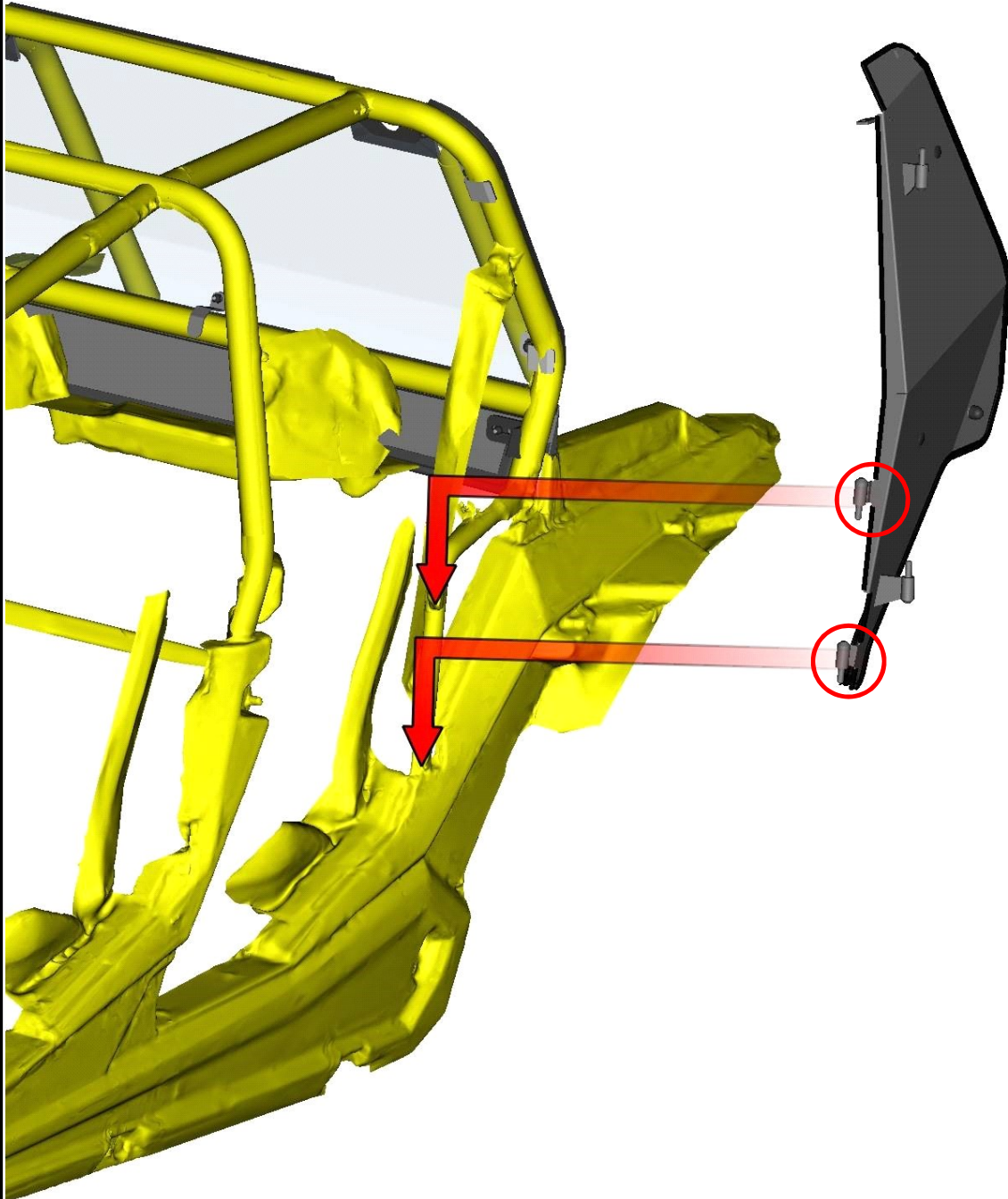
50

LEFT DOORS + RIGHT DOORS

Loosen the rear left door base holders bolts (red circles).

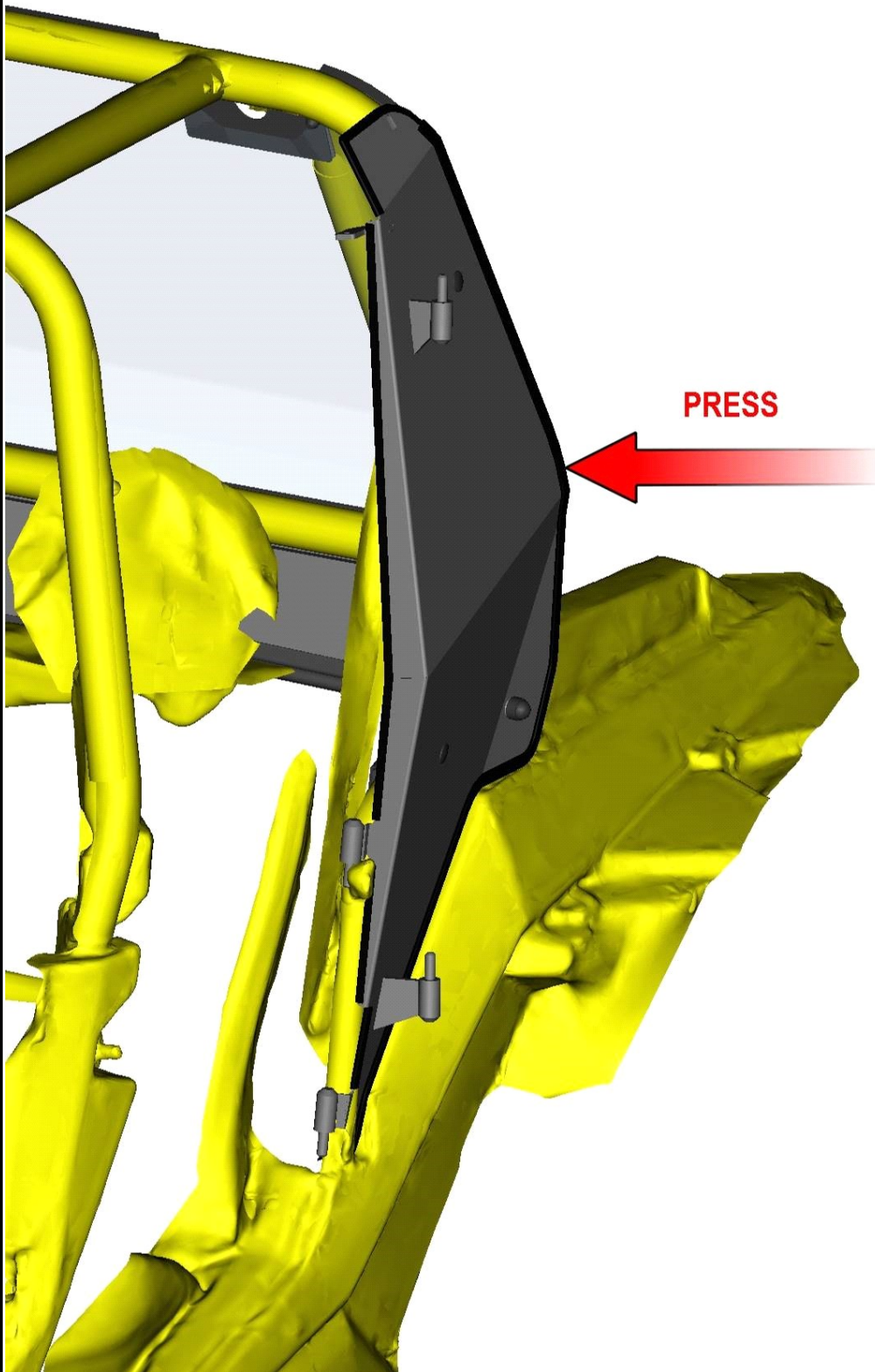


Install the rear left door base fixing hinges (red circles) into the original hinges.

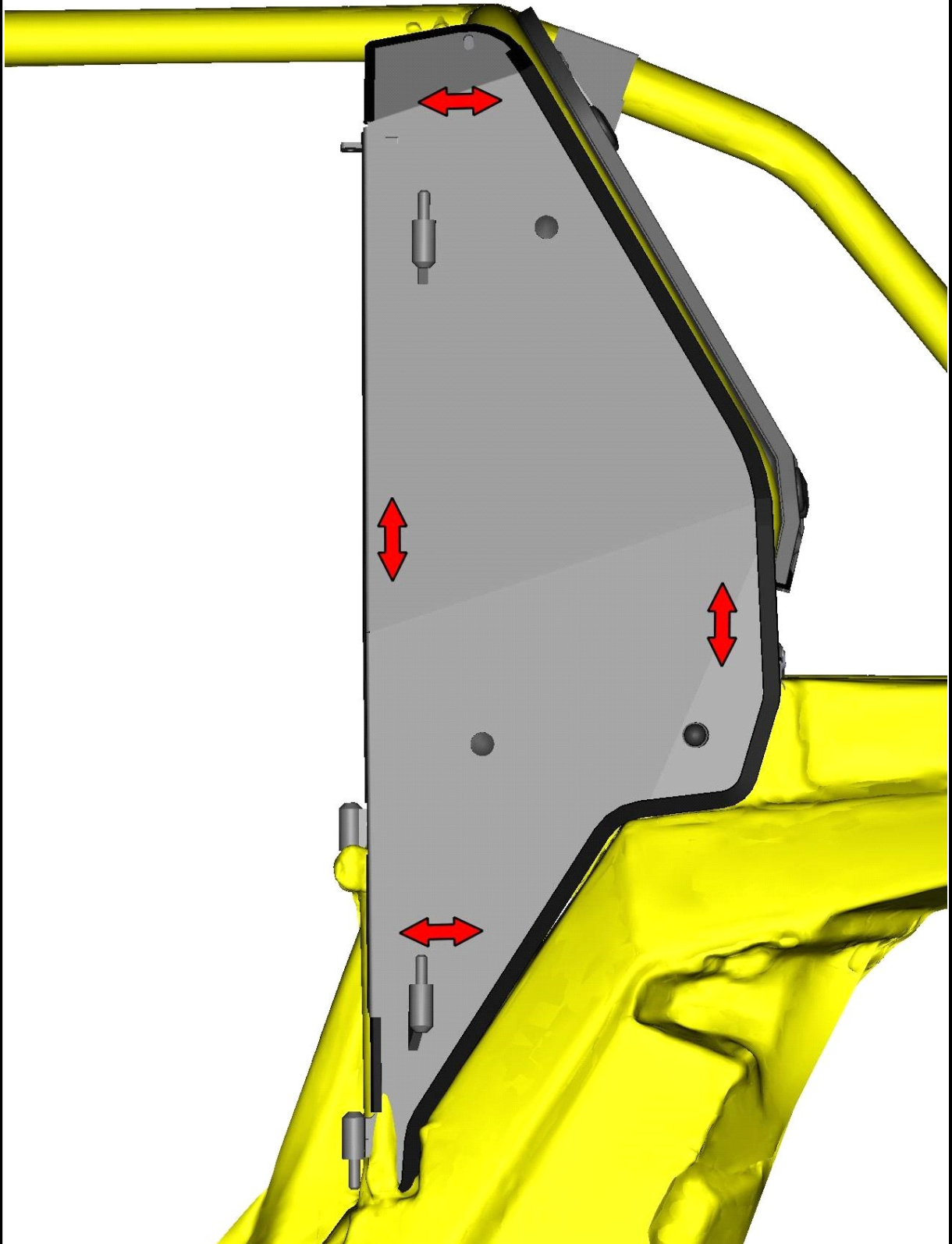


52

Press the rear left door base against the UTV roll cage.

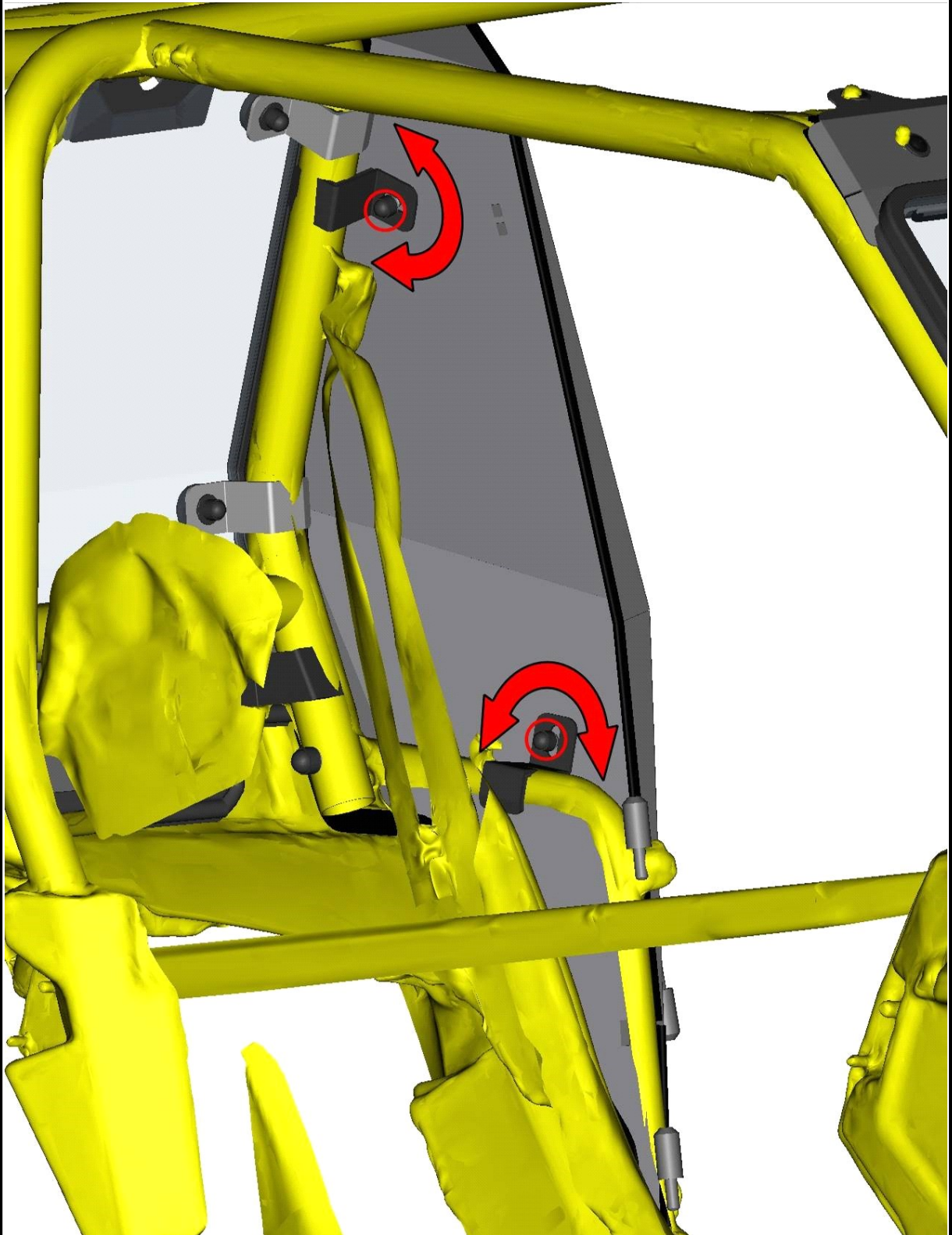


Adjust the rear left door base to the best position.

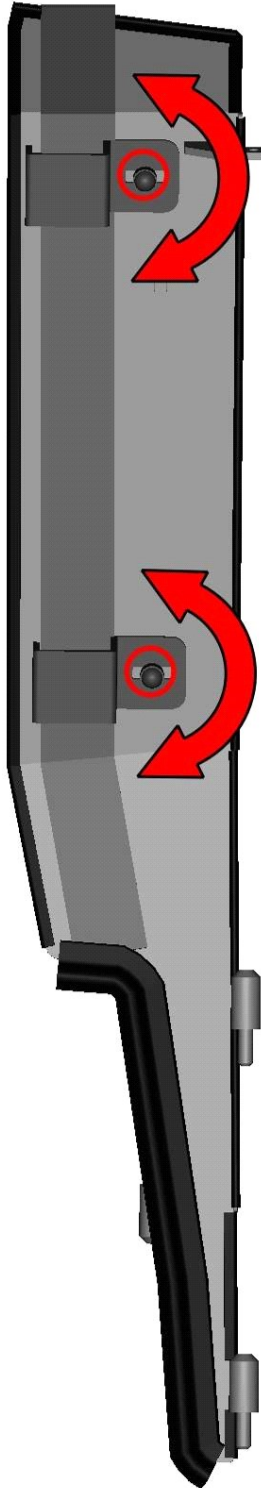


54

Turn the rear left door base holders to the correct position and tighten the holders bolts hard (red circles).

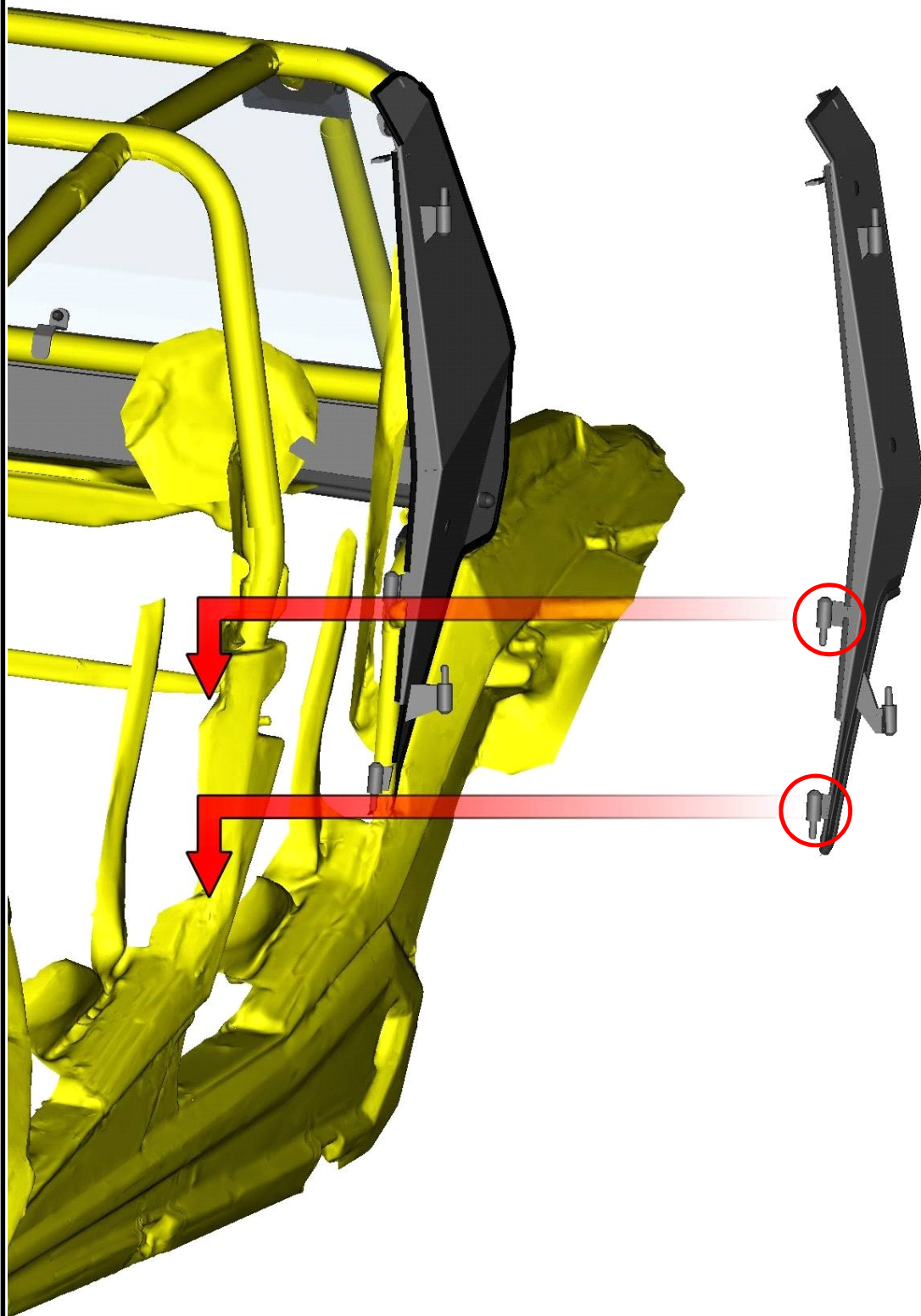


Loosen the rear left door base holders bolts (red circles) and turn the holders out of the way.

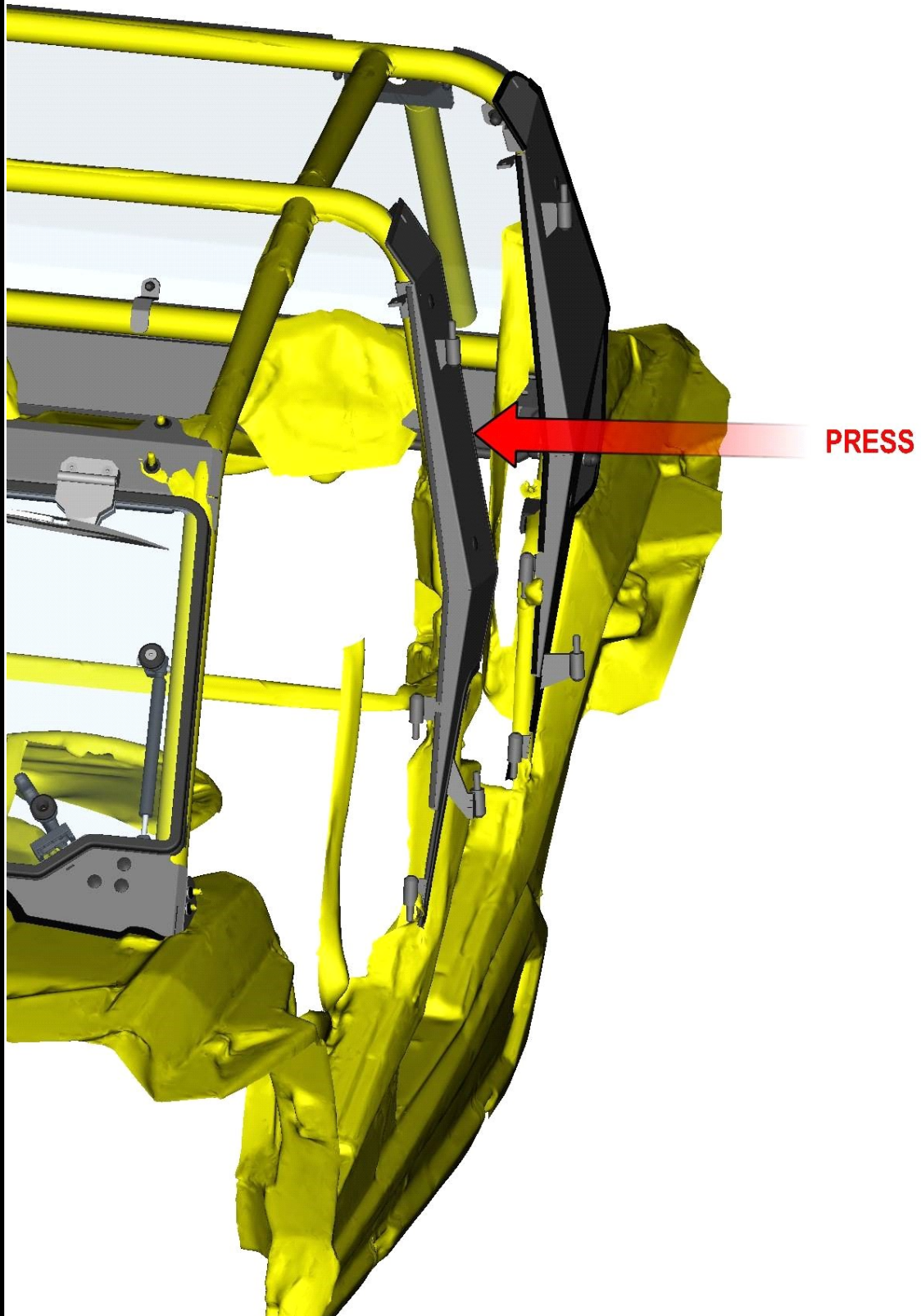




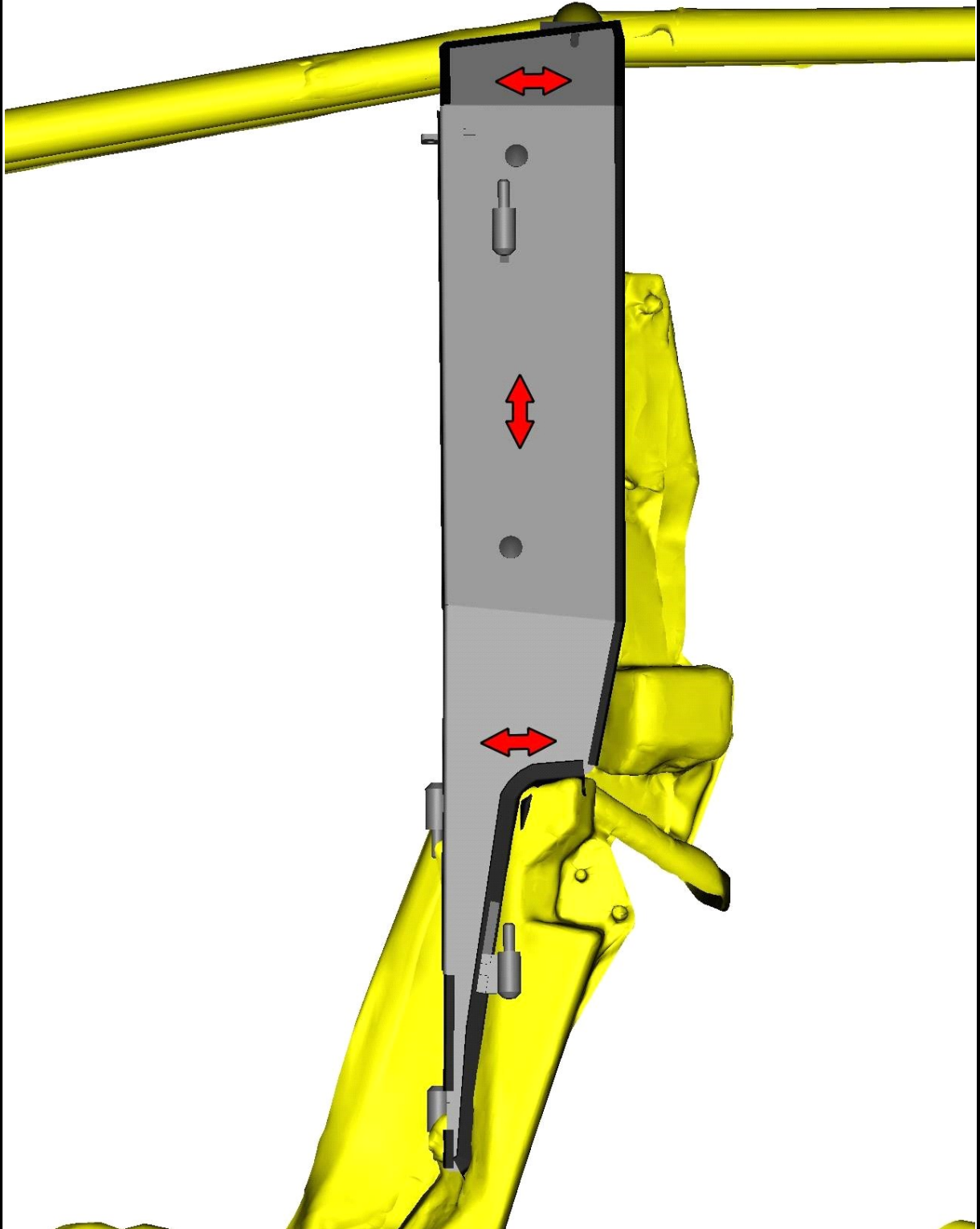
Install the front left door base fixing hinges (red circles) into the original hinges.



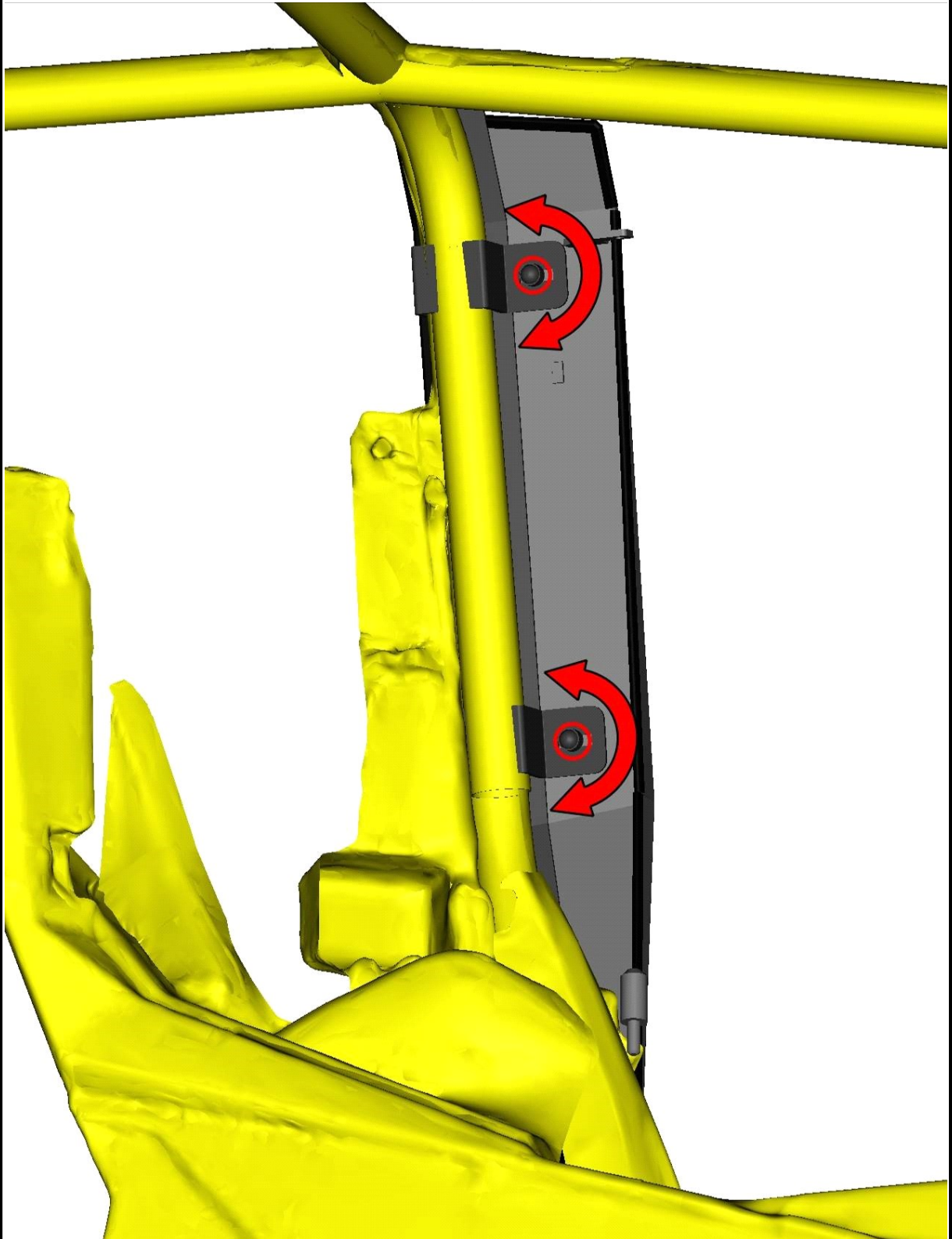
Press the front left door base against the UTV roll cage.



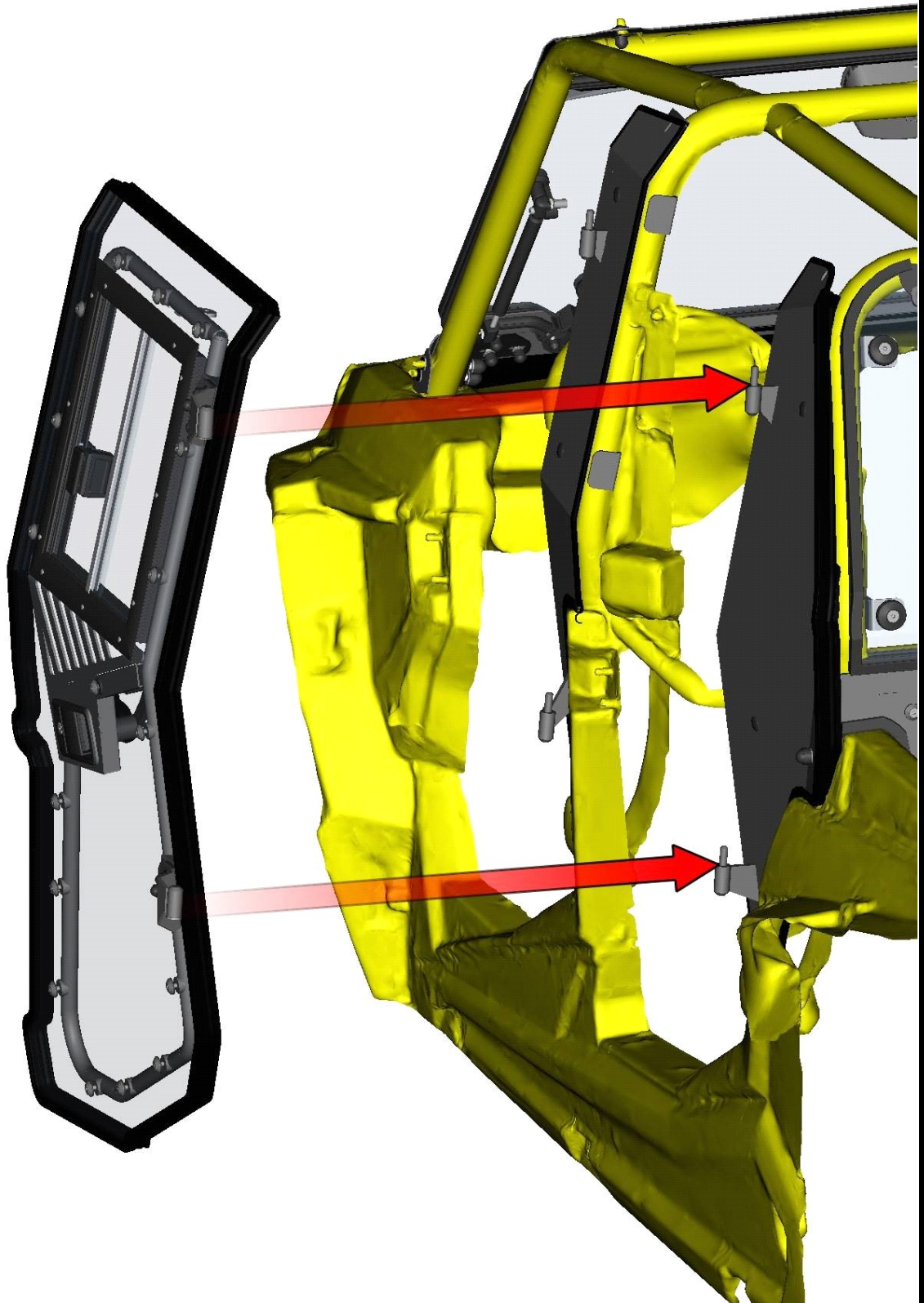
Adjust the front left door base to the best position.



Turn the front left door base holders to the correct position and tighten the holders bolts hard (red circles).

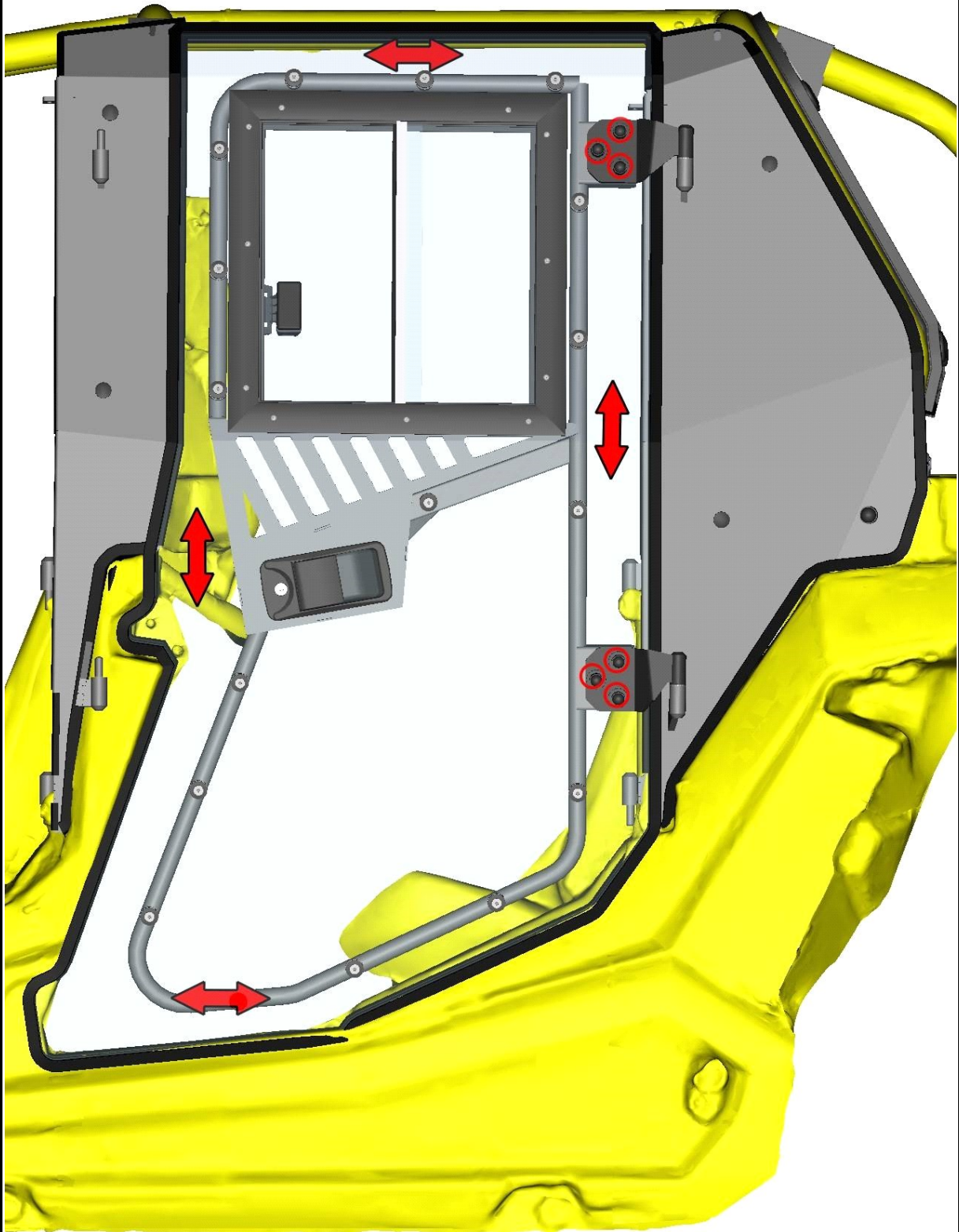


Lubricate the hinges pins and place the rear left door onto the hinges.



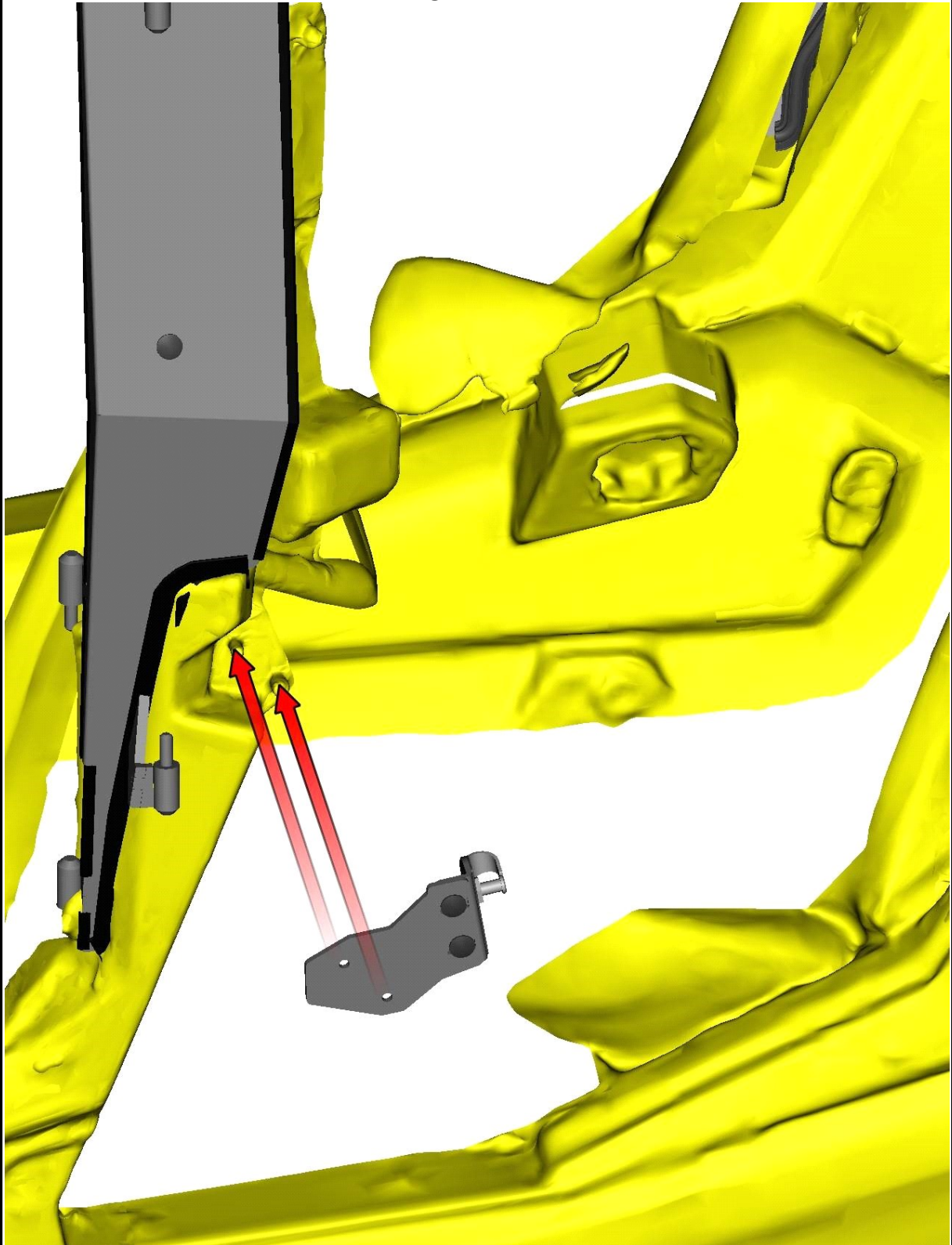
61

If necessary loosen the hinges screws (red circles), adjust the rear left door to the best position and tighten the screws hard.



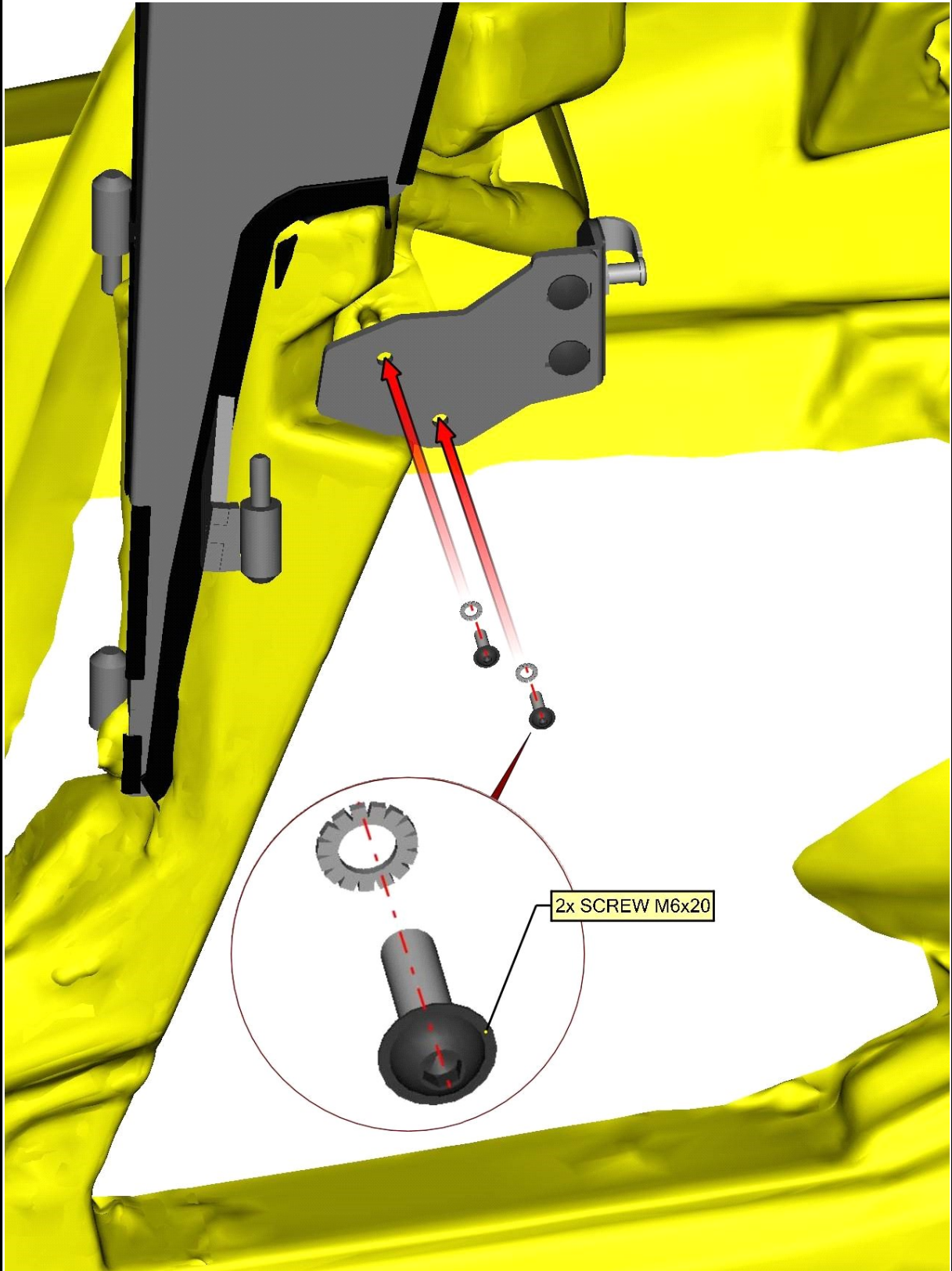
62

Place the rear left door stop assembly onto UTV frame in accordance with the original holes.



63

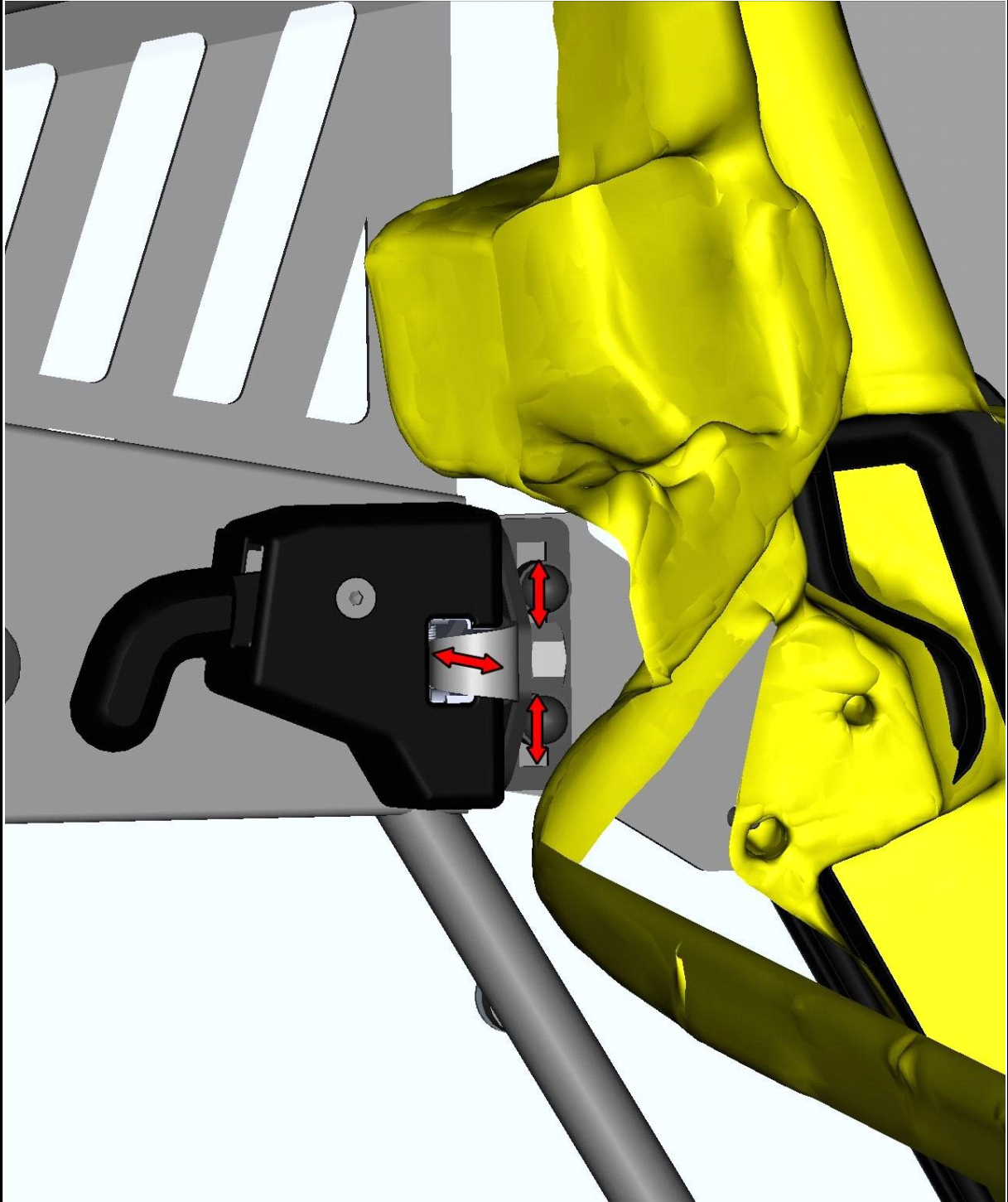
Fix the rear left door stop assembly with included screws and washers.





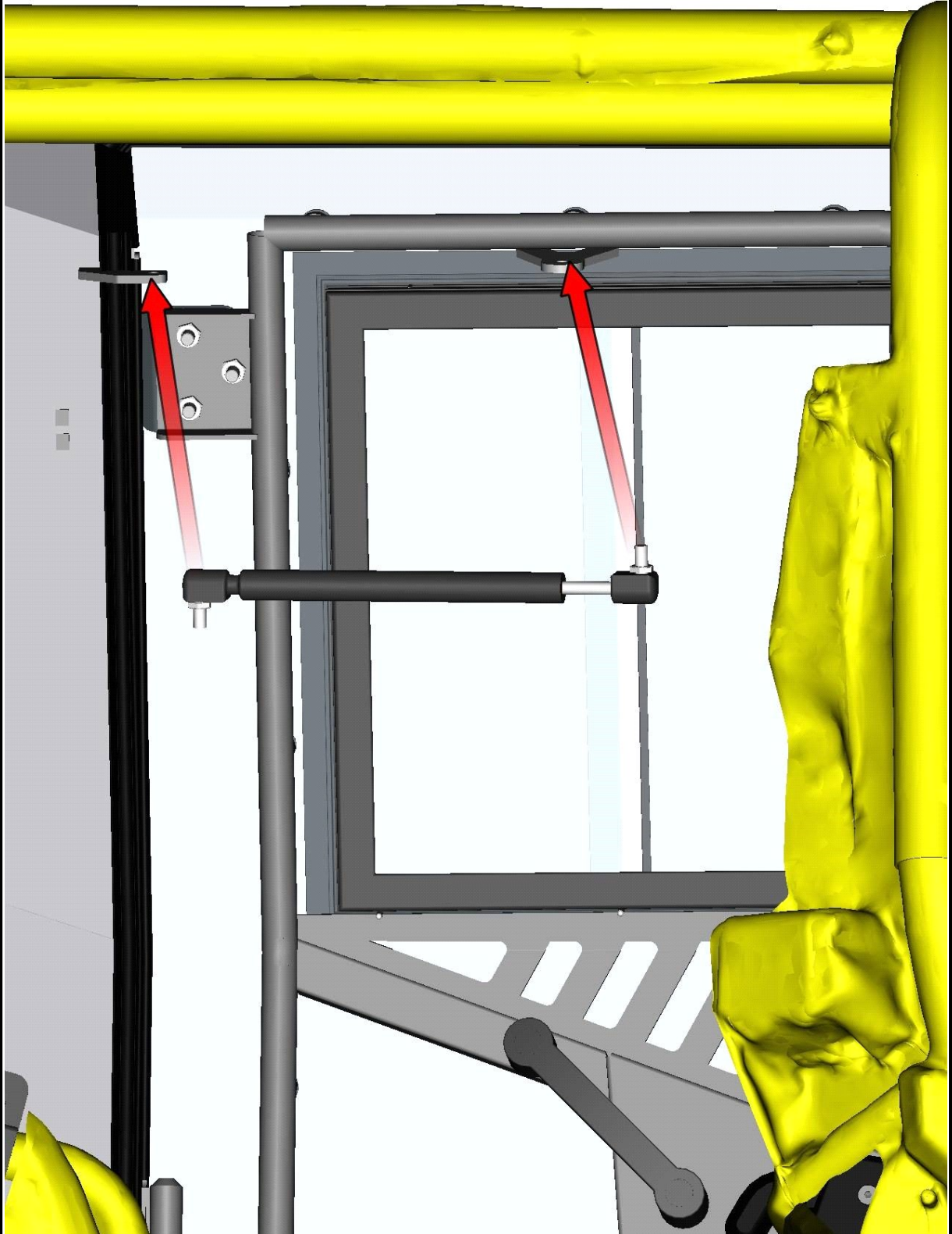
Adjust the door stop holder and door stop to the best position with the door.  
**If you have adjusted the door stop correctly, when you close the door you will hear  
2 clear metallic clicks.**

If you have problems with adjusting the pin holders, you can adjust the door hinges  
again to better position.



65

Install the gas spring pins into the gas spring holders and then install the gas spring onto the pins.



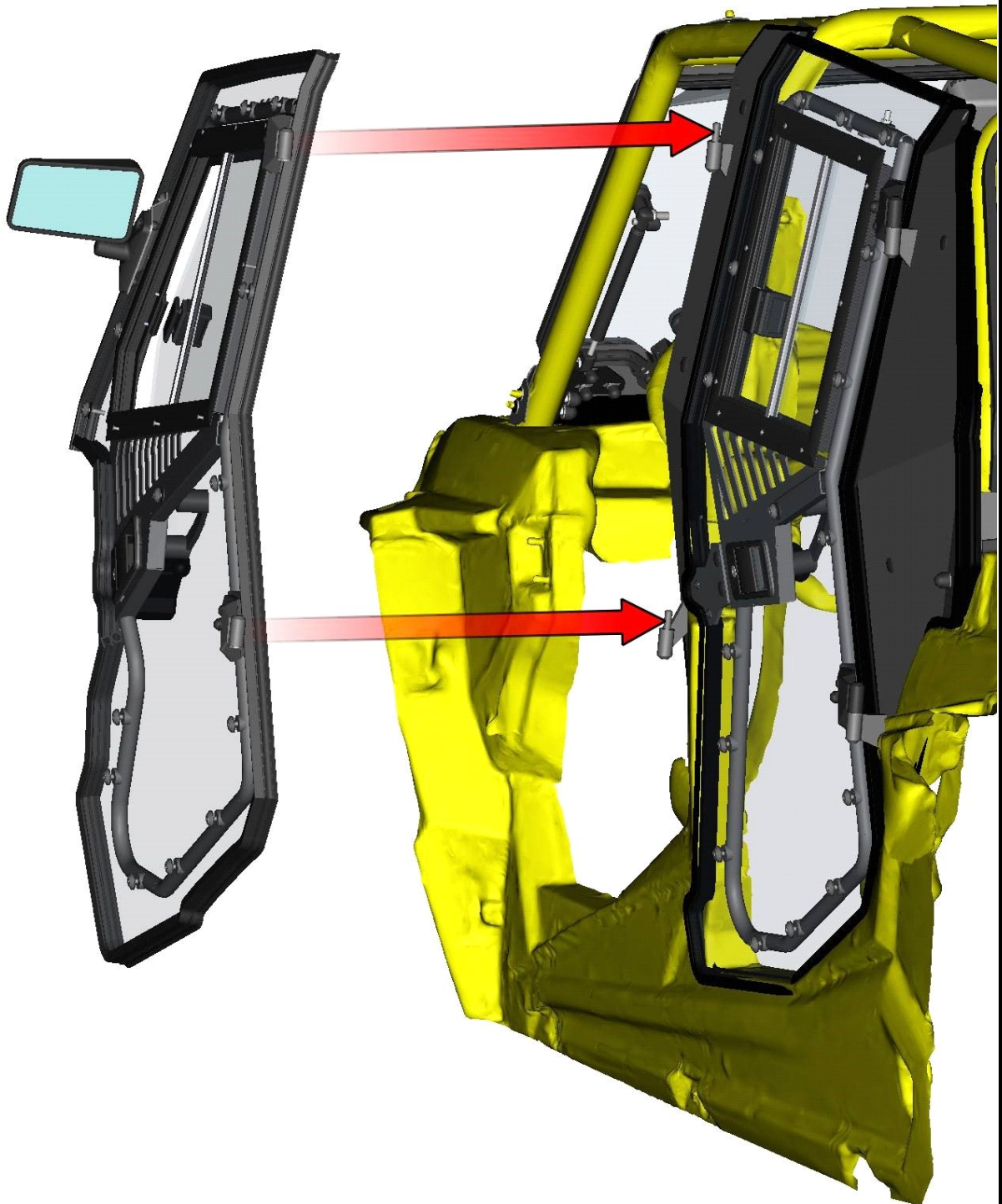
66

Repeat previous steps with the rear right door.



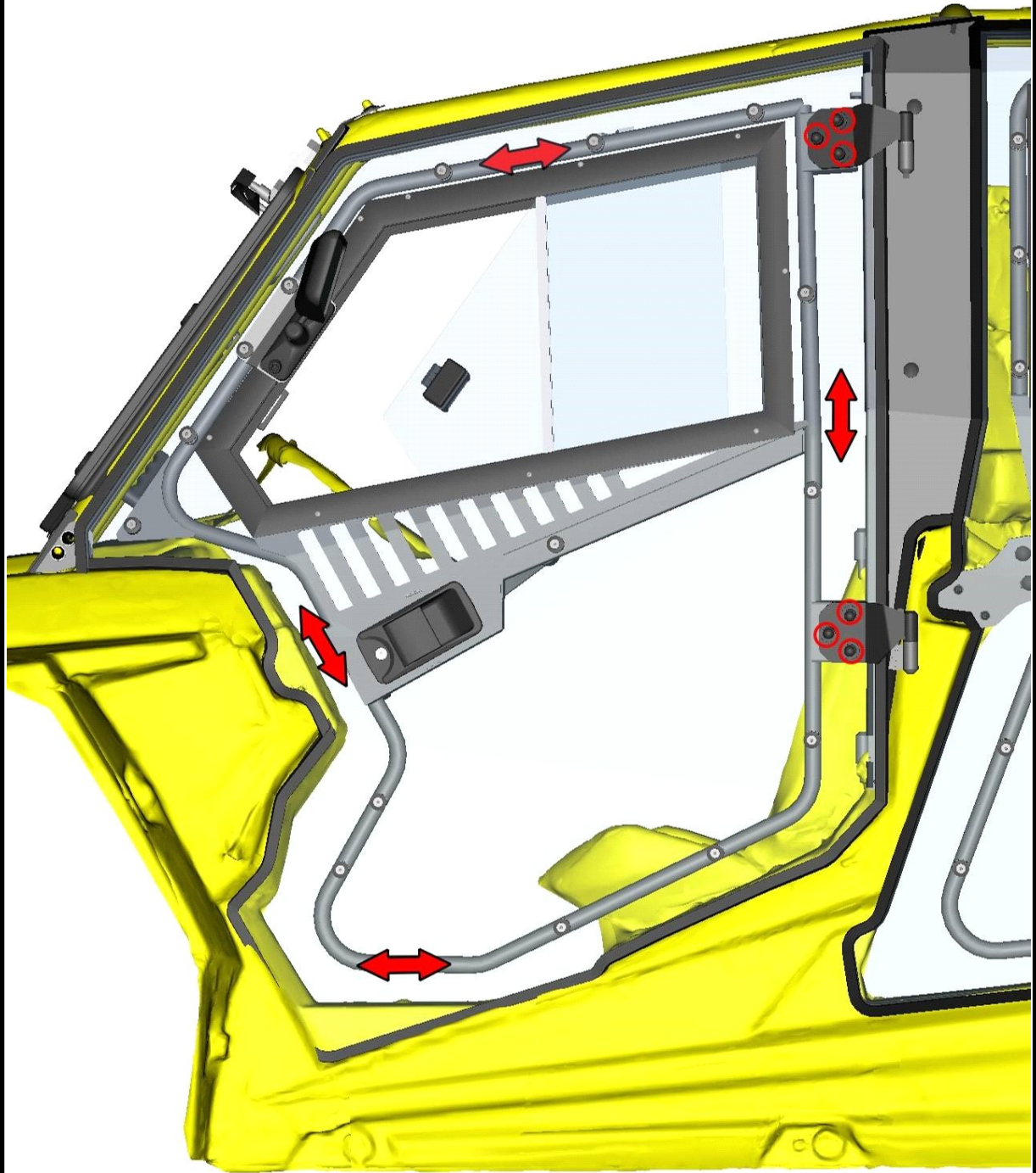
67

Lubricate the hinges pins and place the front left door onto the hinges.



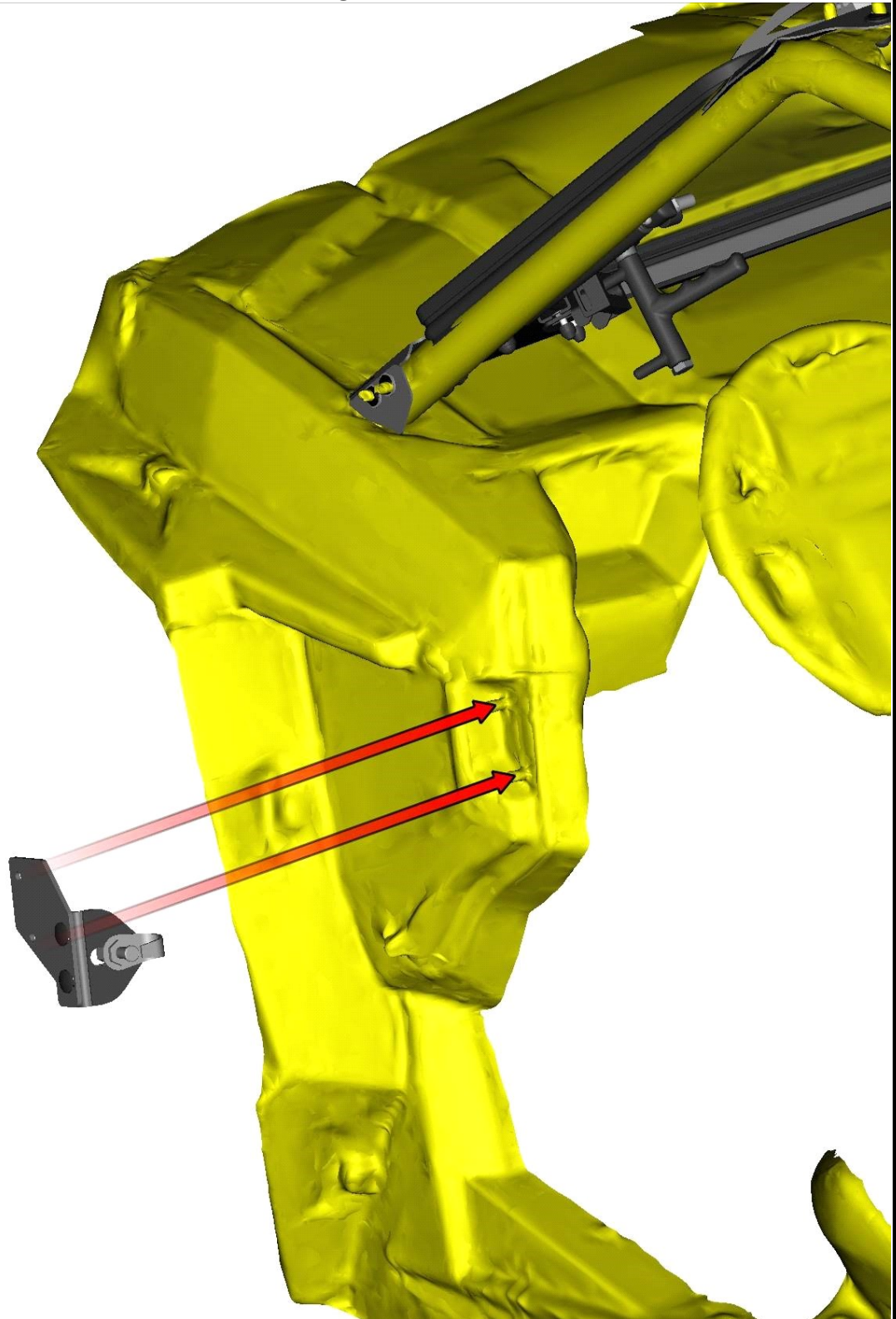
68

If necessary loosen the hinges screws (red circles), adjust the front left door to the best position and tighten the screws hard.



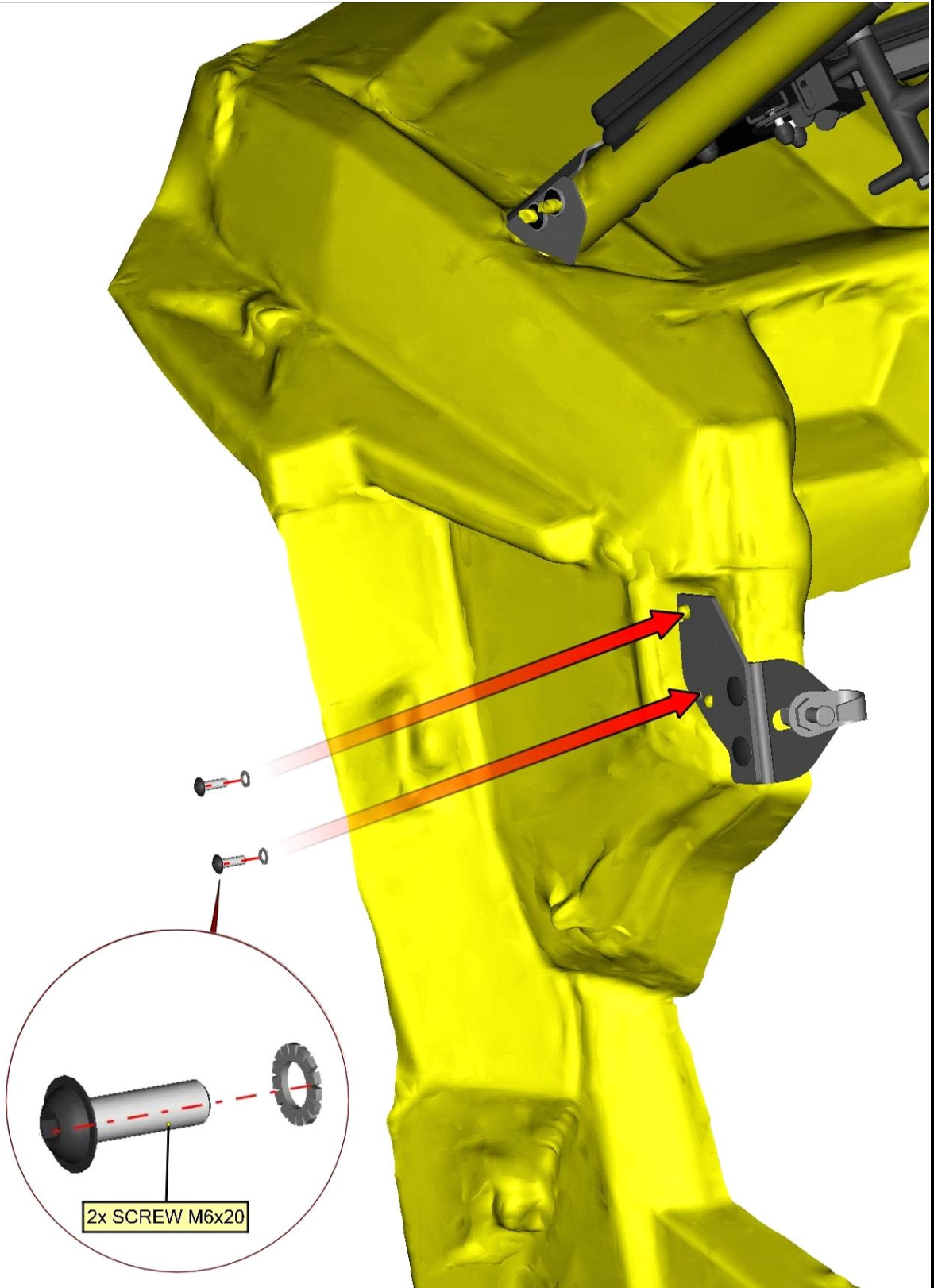
69

Place the front left door stop assembly onto UTV frame in accordance with the original holes.



70

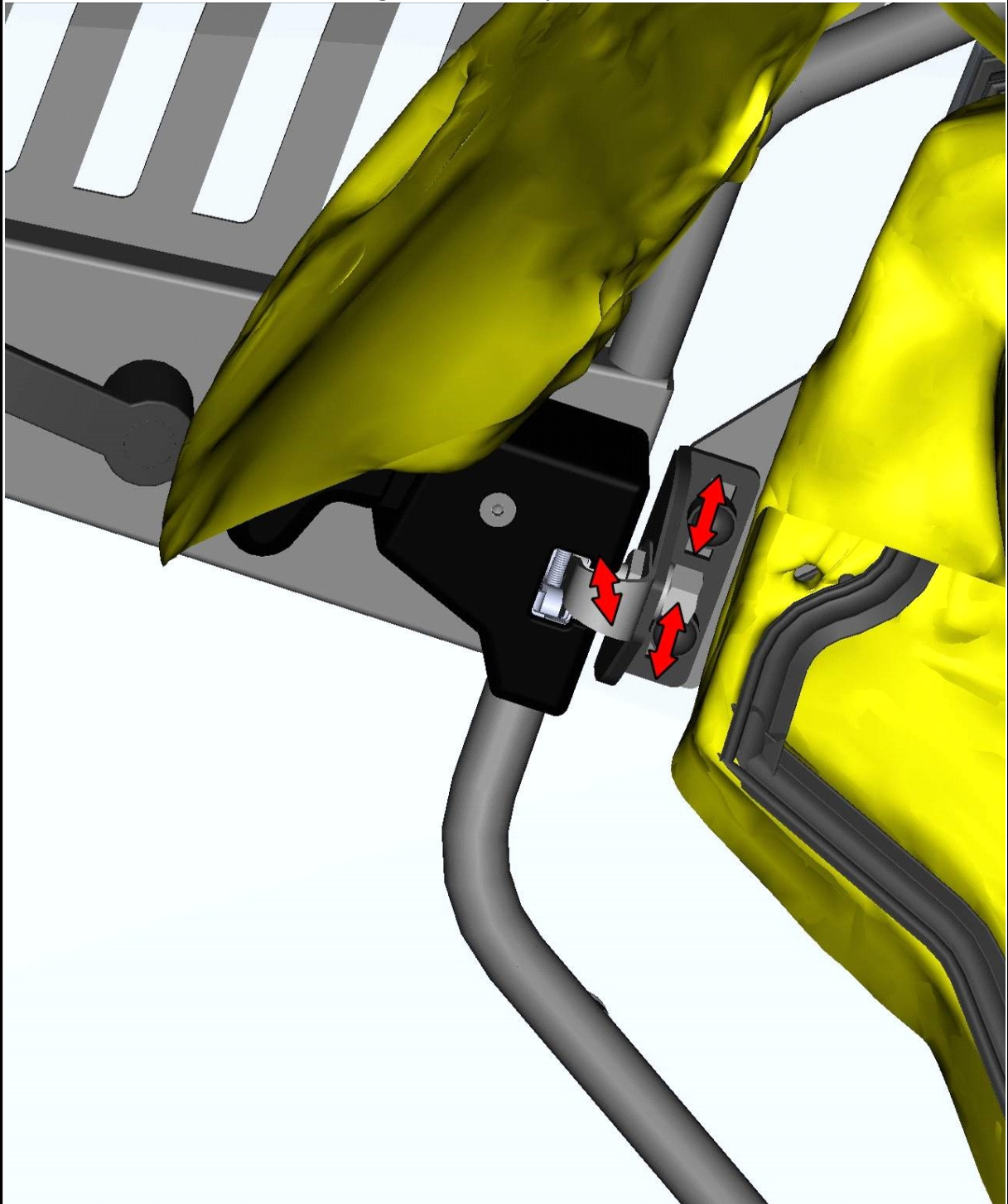
Fix the front left door stop assembly with included screws and washers.



71

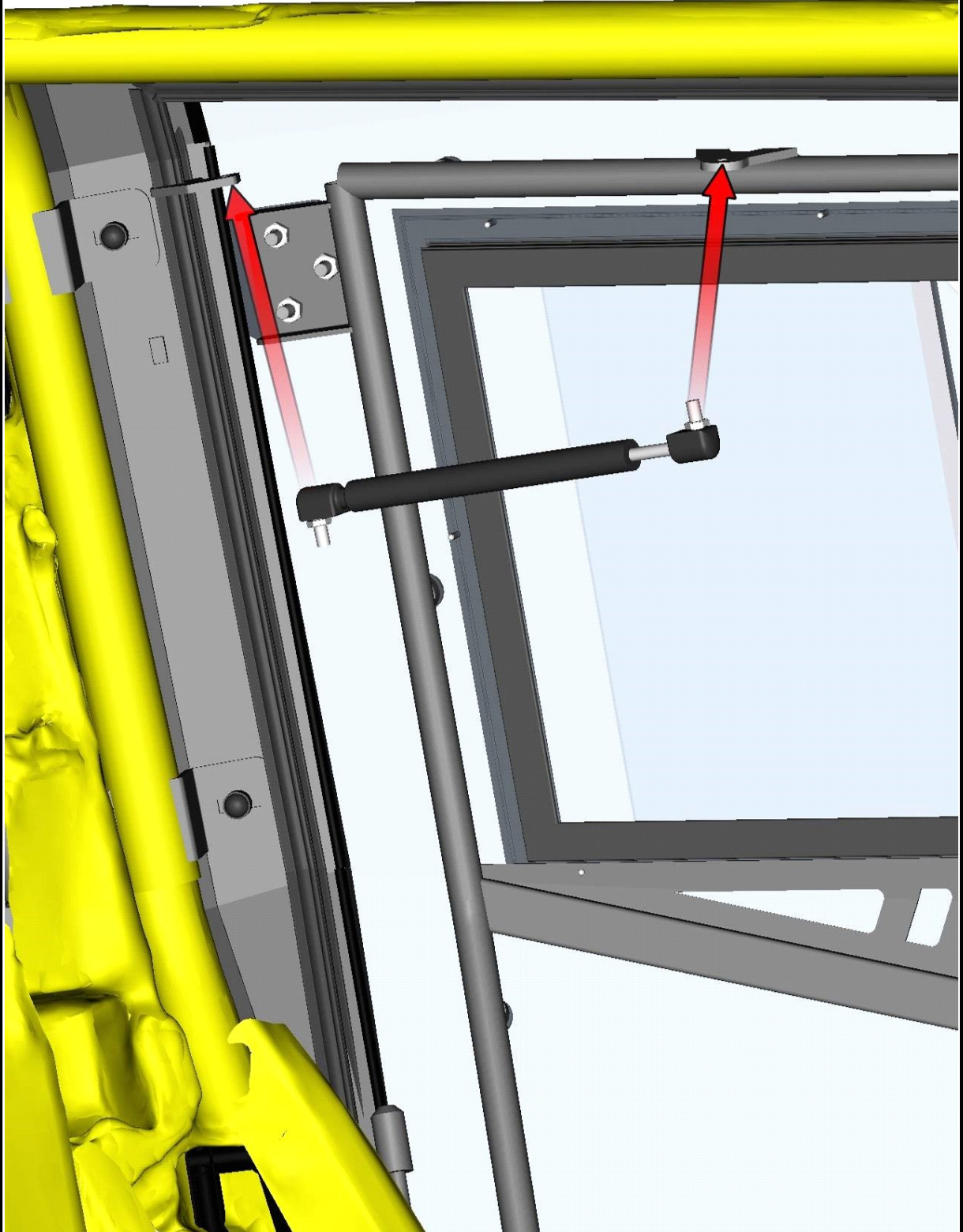
Adjust the door stop holder and door stop to the best position with the door.  
If you have adjusted the door stop correctly, when you close the door you will hear  
2 clear metallic clicks.

If you have problems with adjusting the pin holders, you can adjust the door hinges  
again to better position.



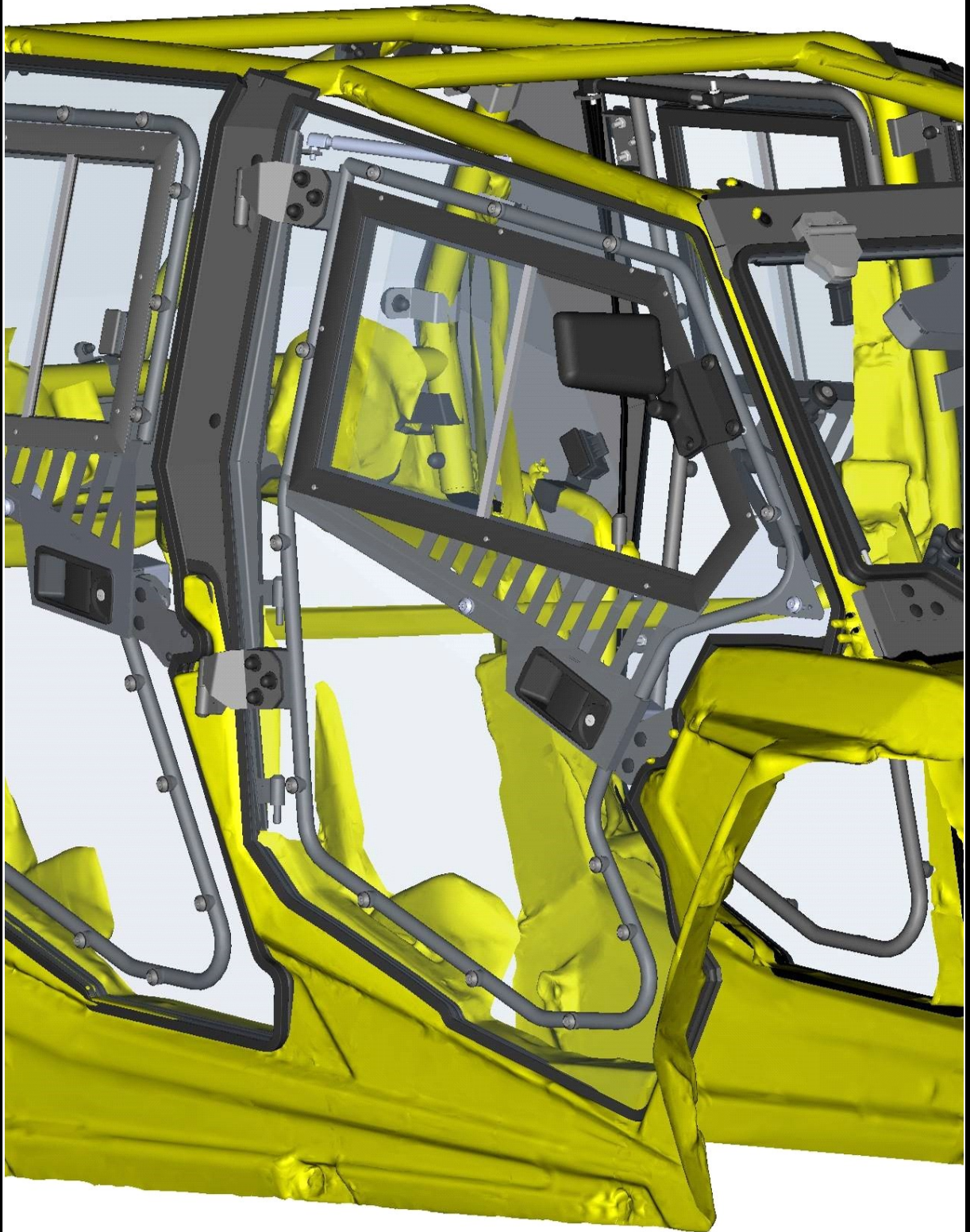


Install the gas spring pins into the gas spring holders and then install the gas spring onto the pins.



73

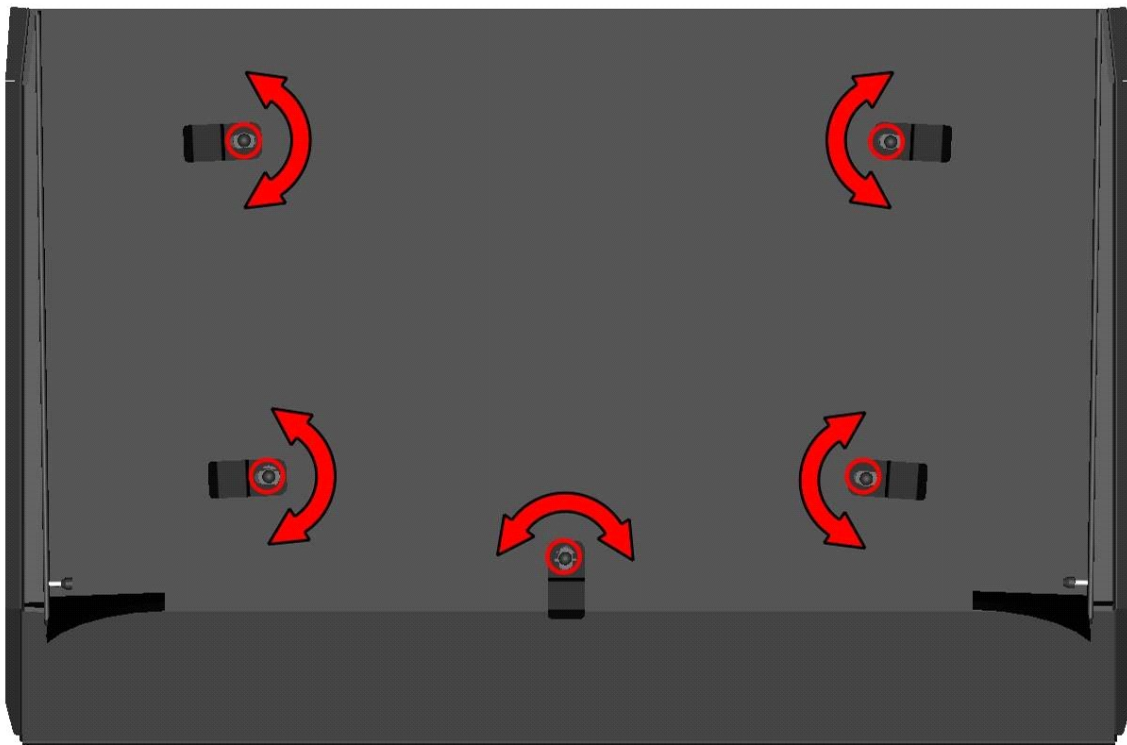
Repeat previous steps with the front right door.



74

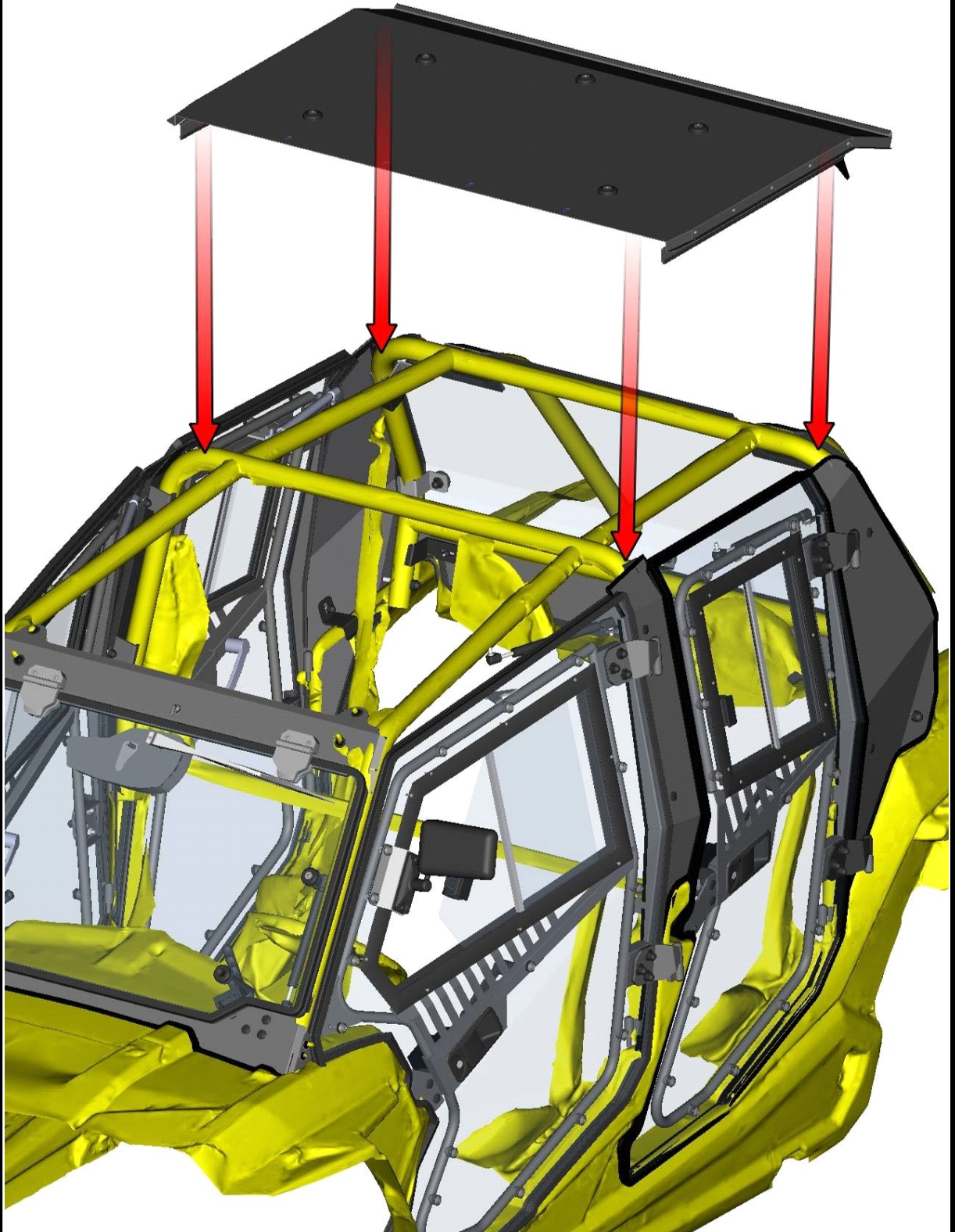
ROOF

Loosen the rear roof panel holders bolts (red circles) and turn the holders out of the way.



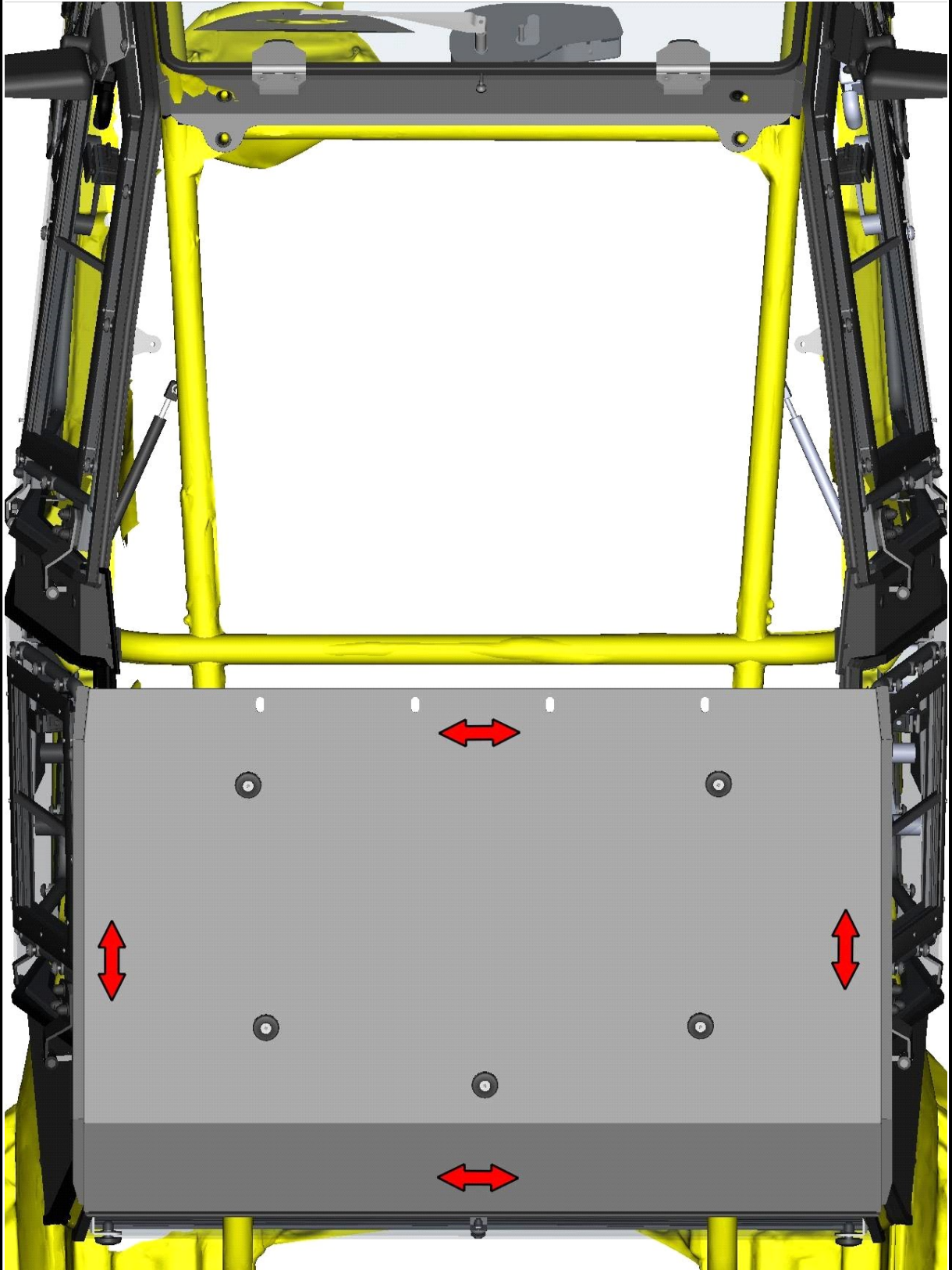
75

Place the rear roof panel onto UTV roll cage.



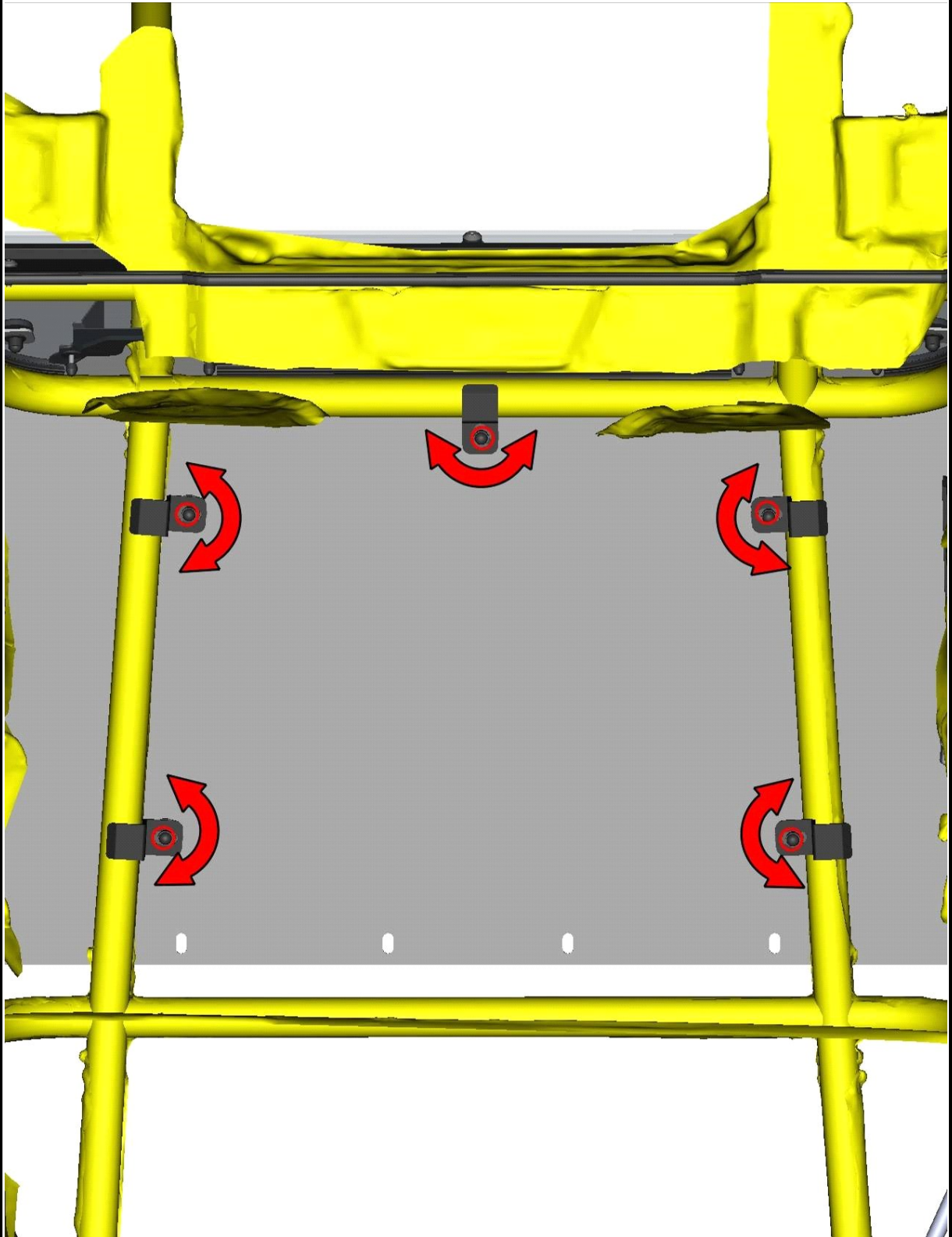
76

Adjust the rear roof panel to the best position.



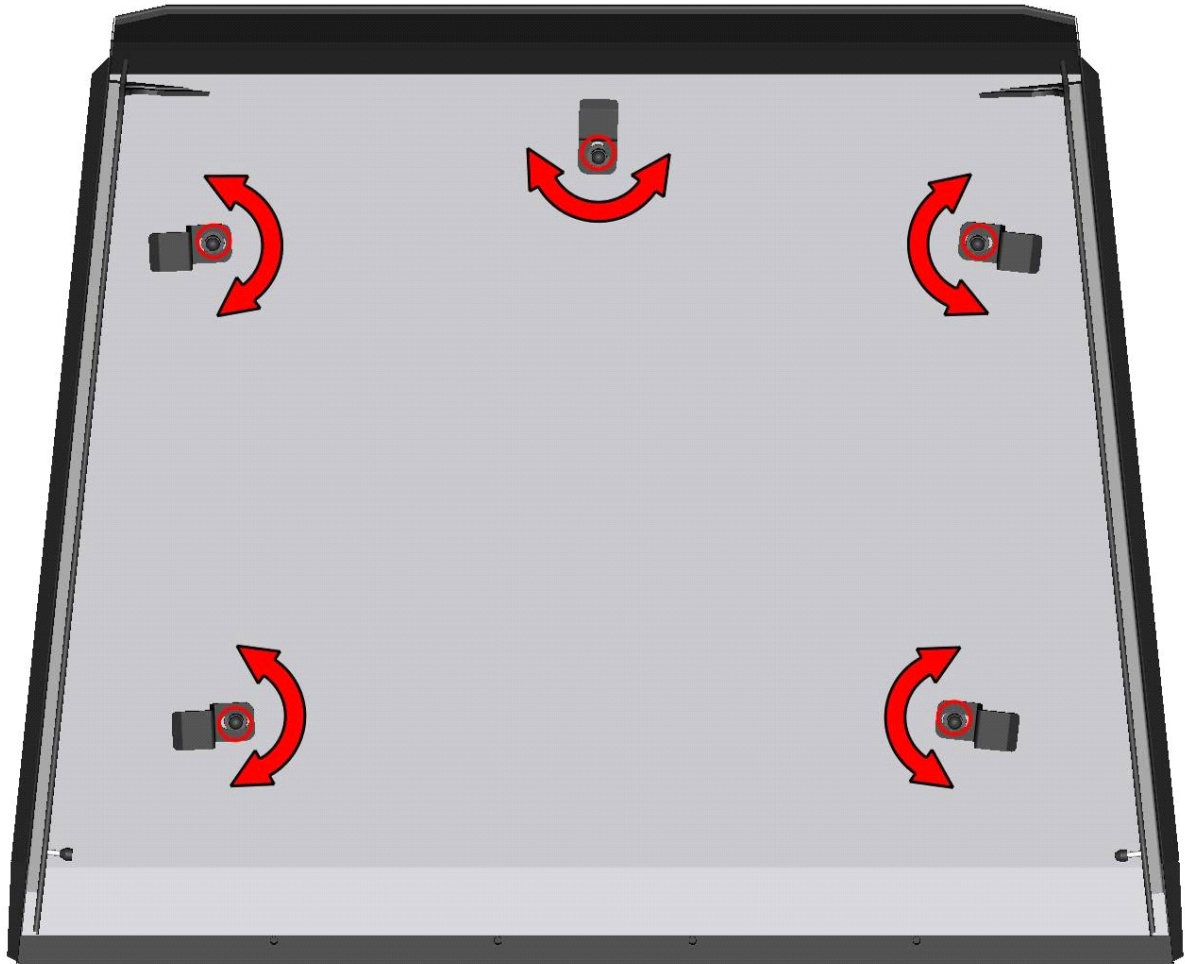
77

Turn the rear roof panel holders to the correct position and tighten the holders bolts hard.



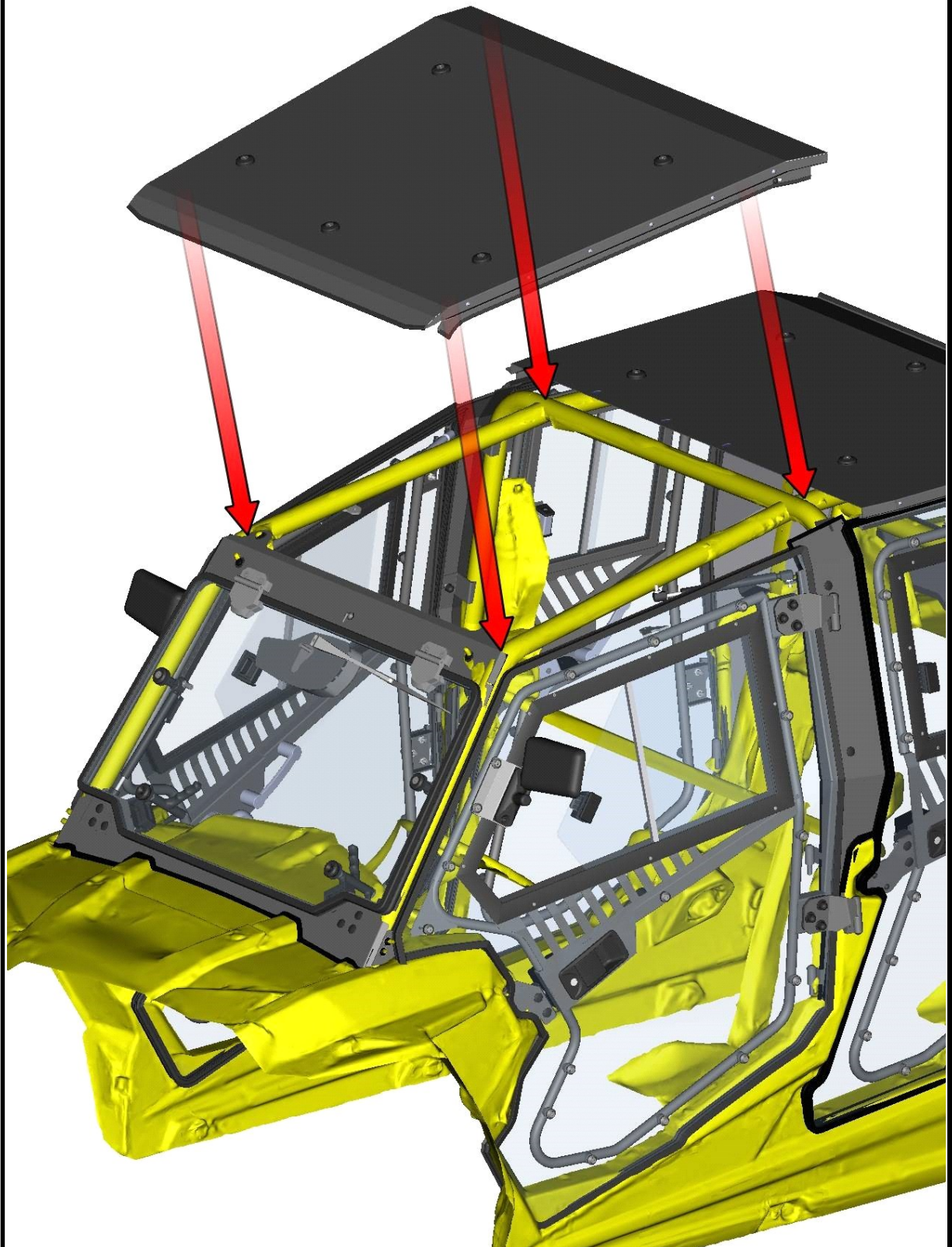
78

Loosen the front roof panel holders bolts and turn the holders out of the way.



79

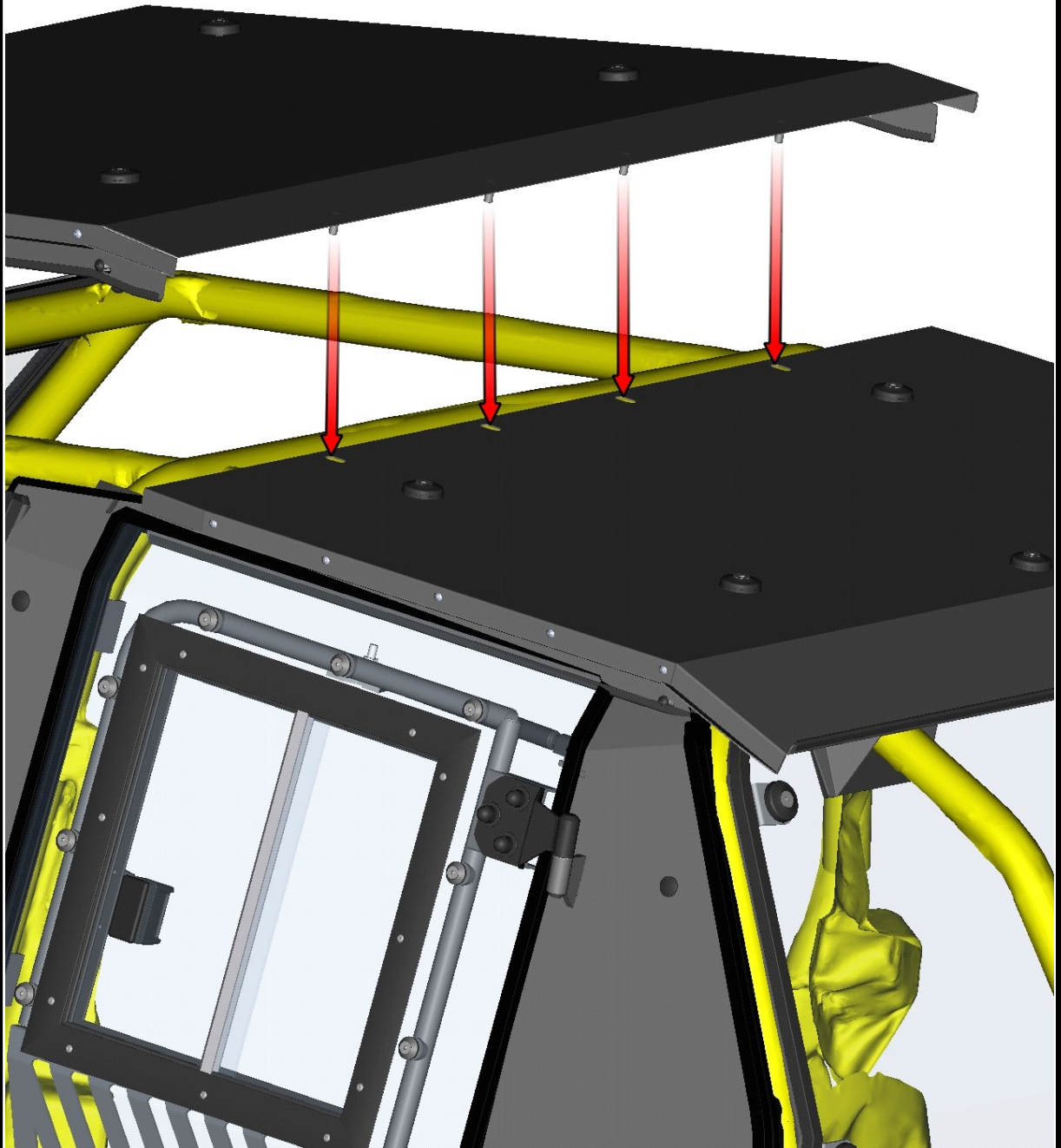
Place the front roof panel onto UTV roll cage.



80

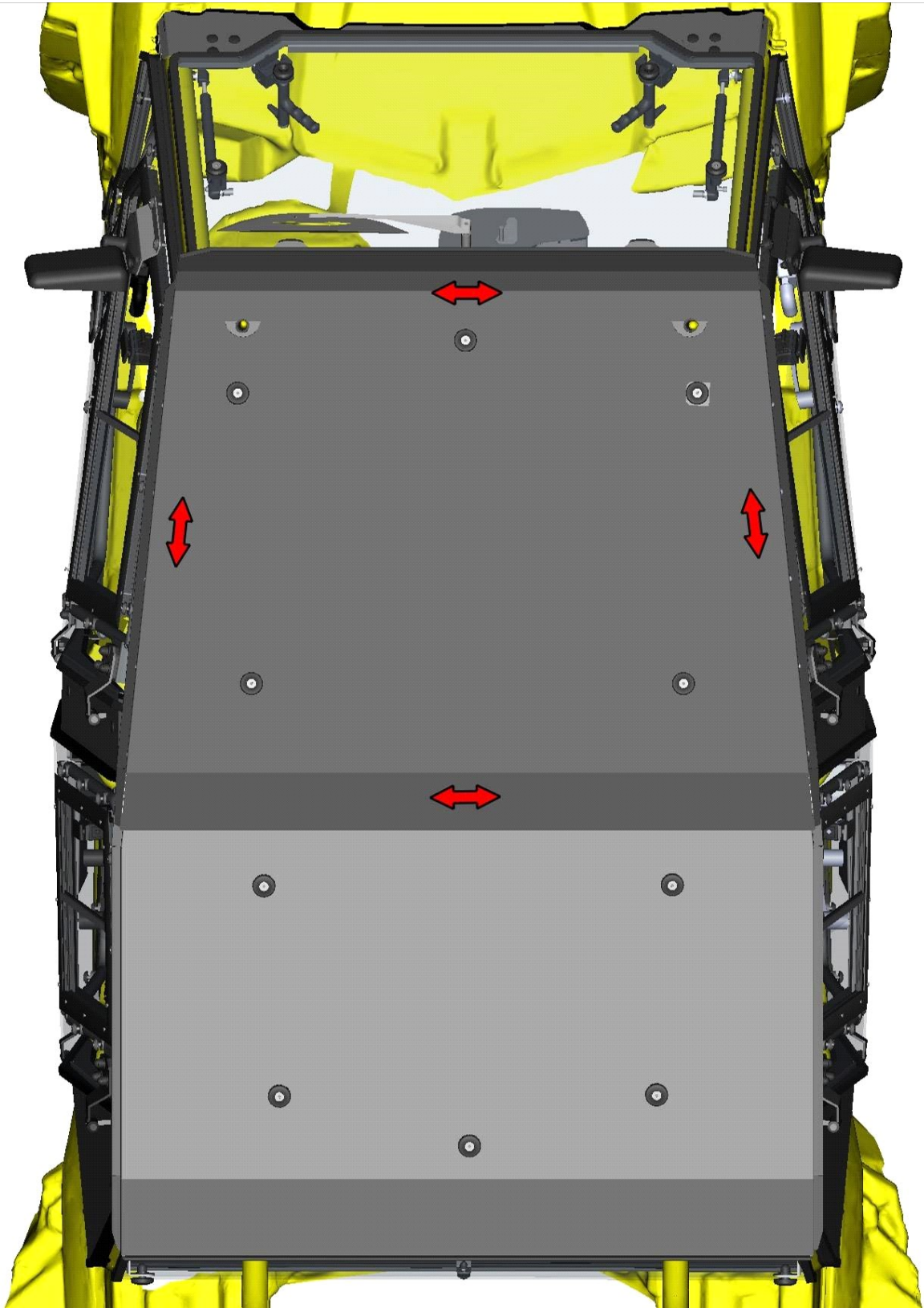


Push the front roof panel welded bolts in the holes at the rear roof panel.

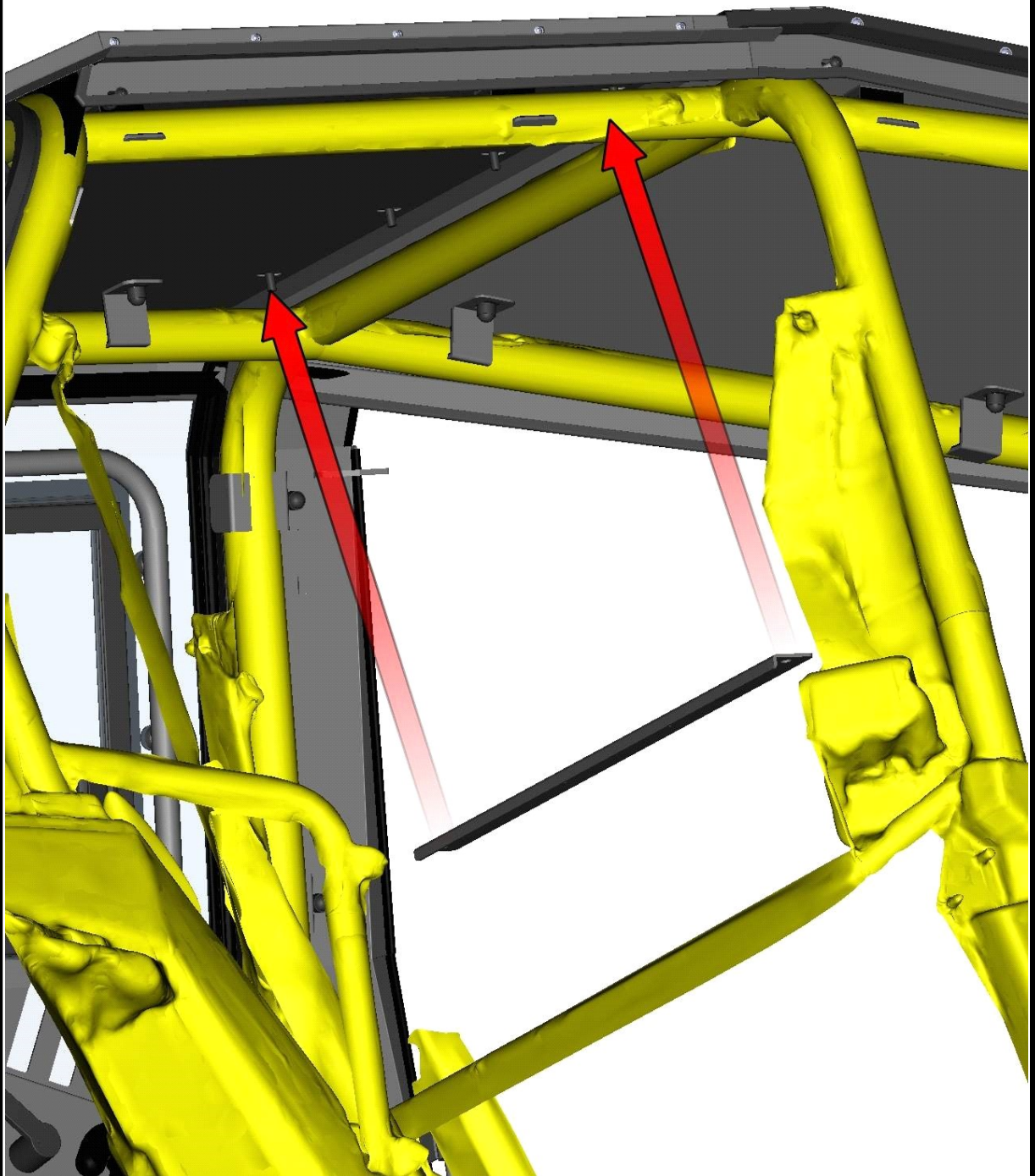


81

Adjust the front roof panel to the best position.



Install the roof panels connecting ledge onto the front roof panel welded bolts.



83

Fix the roof panel connecting ledge with included washers, nuts and covers.

