



*SPARE - PARTS CATALOG*

**POLARIS**  
**RANGER 900 XP**

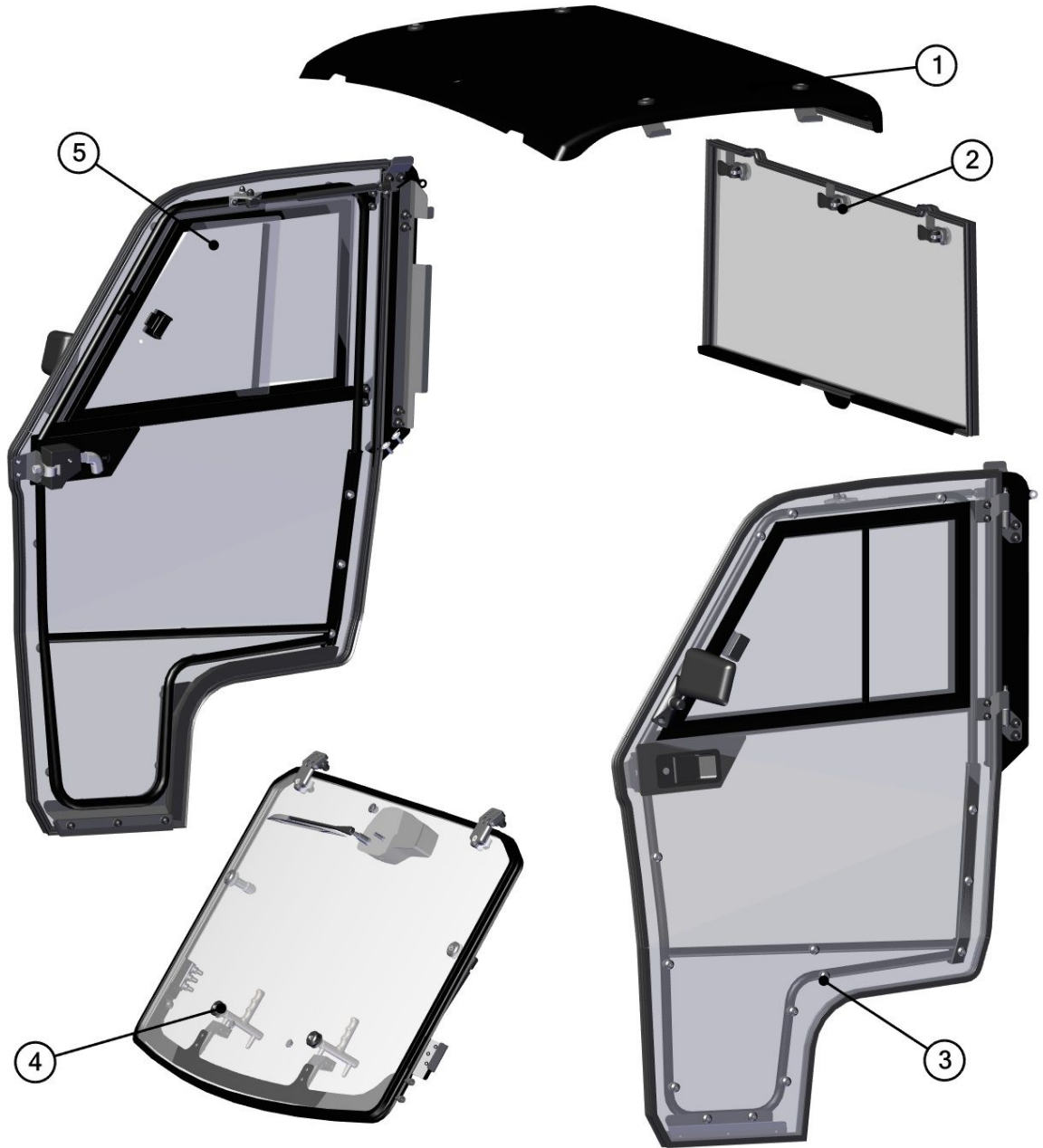
*HardCabs* →

CAB PREVIEW



2

FOR ALL TECHNICAL QUESTIONS, PLEASE CALL  
DFK AMERICA INC.  
(630) 324-8585



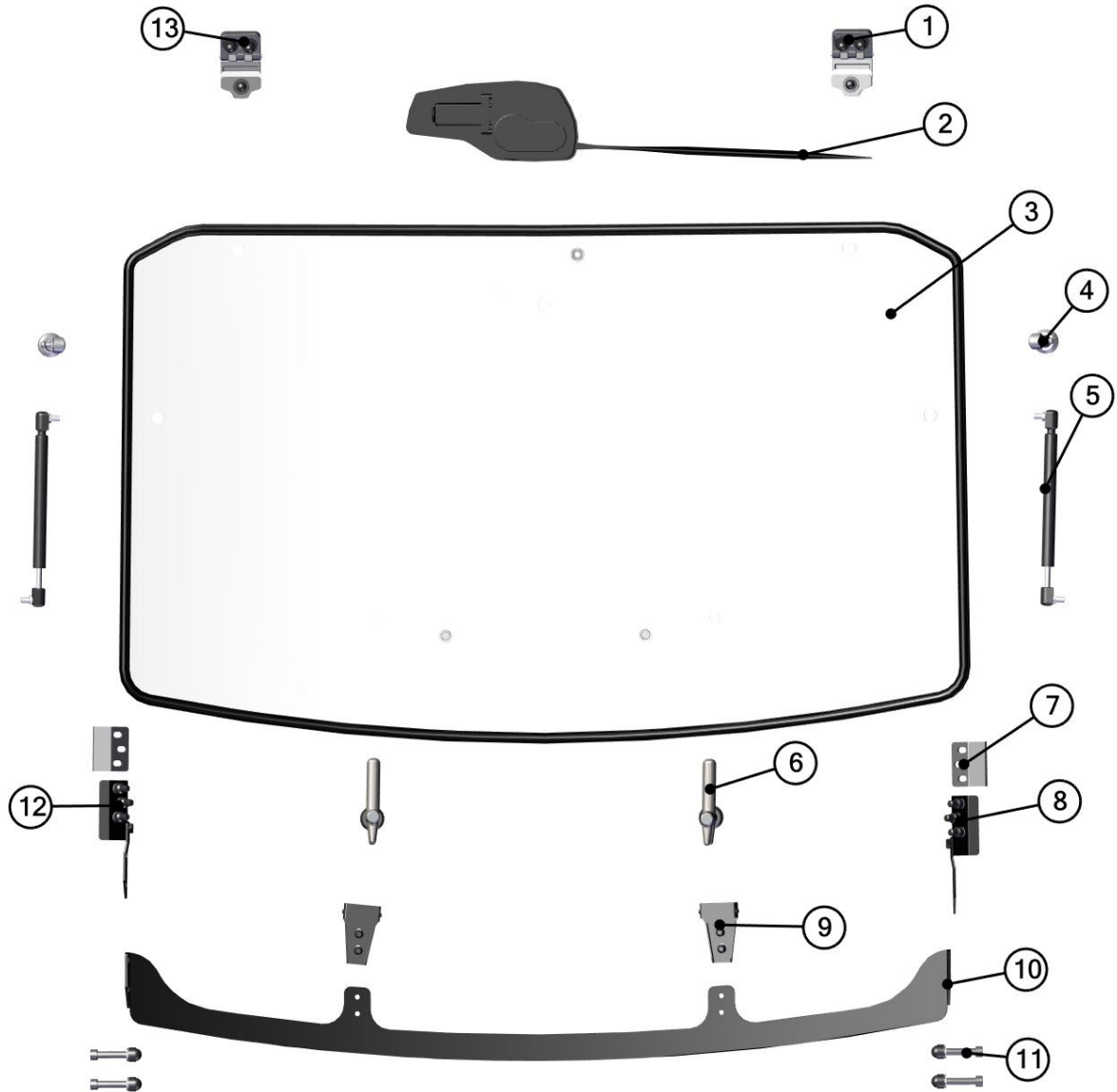
3

ID	Catalogue no.	Description	Qty
1	32S05U01S30	ROOF	1
2	32S05U01S20	REAR PANEL	1
3	32S05U01S40	LEFT DOOR	1
4	32S05U01S10	FRONT PANEL	1
5	32S05U01S50	RIGHT DOOR	1

FOR ALL TECHNICAL QUESTIONS, PLEASE CALL  
 DFK AMERICA INC.  
 (630) 324-8585

FRONT PANEL





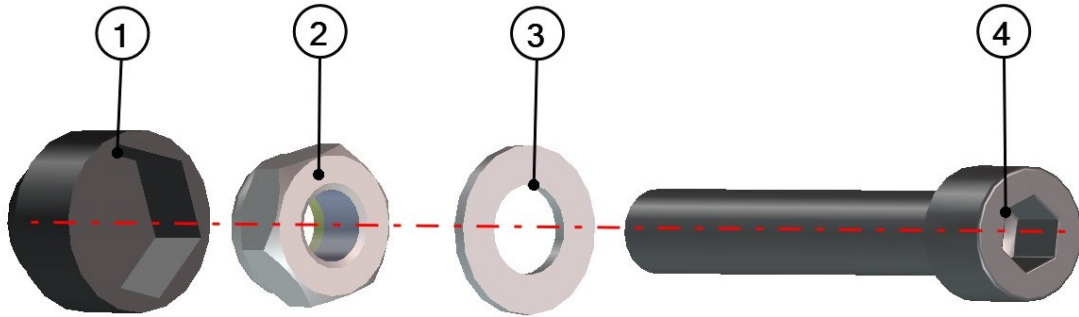
5

ID	Catalogue no.	Description	Qty
1	32S05U01-10M007	RIGHT FRONT HINGE ASSEMBLY	1
2	32S05U01-10M004	WIPER ASSEMBLY	1
3	32S05U01-10M001	FRONT GLASS WITH SEALING	1
4	001693	GAS SPRING HOLDER	2
5	000868	GAS SPRING	2
6	00-10M023	FRONG GLASS LOCK	2
7	32S05U01-10-003	FRFRONT LEDGE HOLDER	2
8	32S05U01-10W007	RIGHT FRONT LEDGE HOLDER WELDED	1
9	32S05U01-10M011	FRONT GLASS STOP ASSEMBLY	2
10	32S05U01-10-013	FRONT BOTTOM LEDGE	1
11	32S05U01-10M010	FIXING ASSEMBLY	4
12	32S05U01-10W003	LEFT FRONT LEDGE HOLDER WELDED	1
13	32S05U01-10M006	LEFT FRONT HINGE ASSEMBLY	1

FOR ALL TECHNICAL QUESTIONS, PLEASE CALL  
 DFK AMERICA INC.  
 (630) 324-8585

FRONT LEDGE FIXING ASSEMBLY

32S5U01-10M010

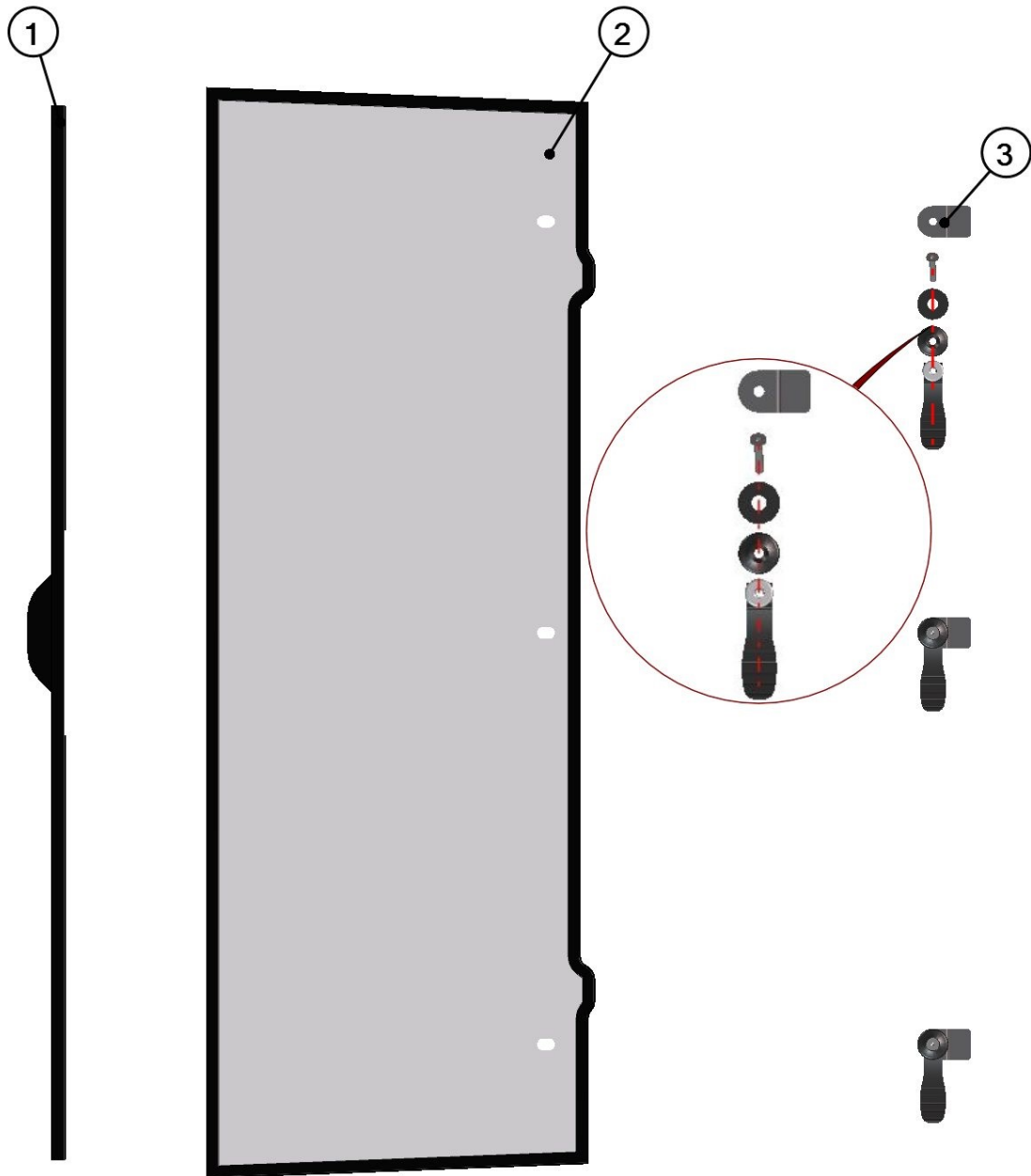


Id	Catalogue no.	Description	Qty
1	002363	PLASTIC NUT COVER OK 13	1
2	002533	SELF-LOCKING NUT M10	1
3	001485	WASHER 10	1
4	002741	SCREW M10x60	1

FOR ALL TECHNICAL QUESTIONS, PLEASE CALL  
 DFK AMERICA INC.  
 (630) 324-8585

REAR PANEL



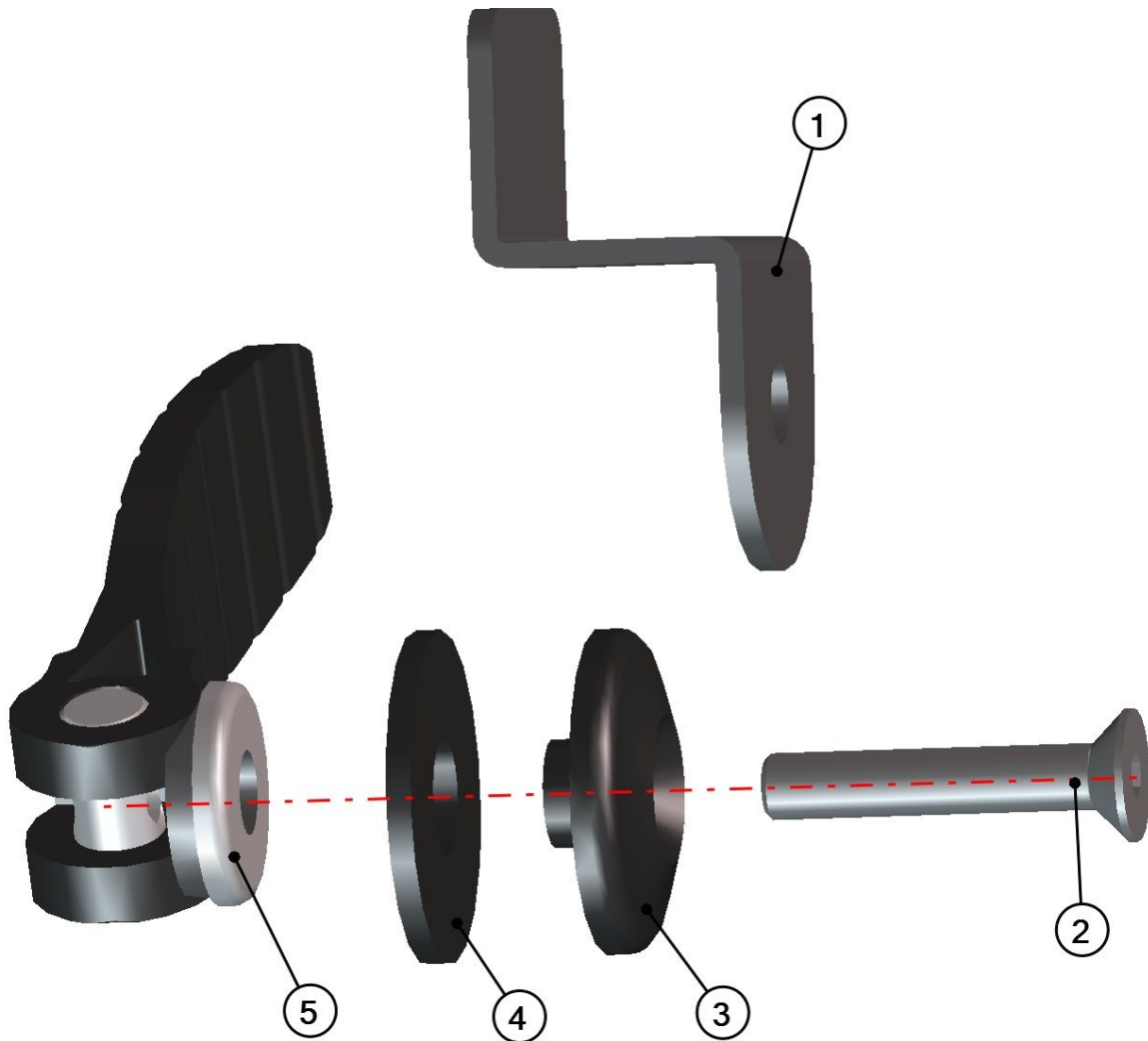


Id	Catalogue no.	Description	Qty
1	32S05U01-20W001	REAR BOTTOM LEDGE	1
2	32S05U01-20M001	REAR GLASS WITH SEALING	1
3	32S05U01-20M003	REAR FIXING ASSEMBLY	3

FOR ALL TECHNICAL QUESTIONS, PLEASE CALL  
 DFK AMERICA INC.  
 (630) 324-8585



REAR FIXING ASSEMBLY  
32S5U01-10M008



9

Id	Catalogue no.	Description	Qty
1	32S05U01-20-008	REAR PANEL HOLDER	1
2	001694	SCREW M8x45	1
3	001429	PLASTIC WASHER	1
4	001428	RUBBER WASHER	1
5	002740	FAST LOCK HANDLE	1

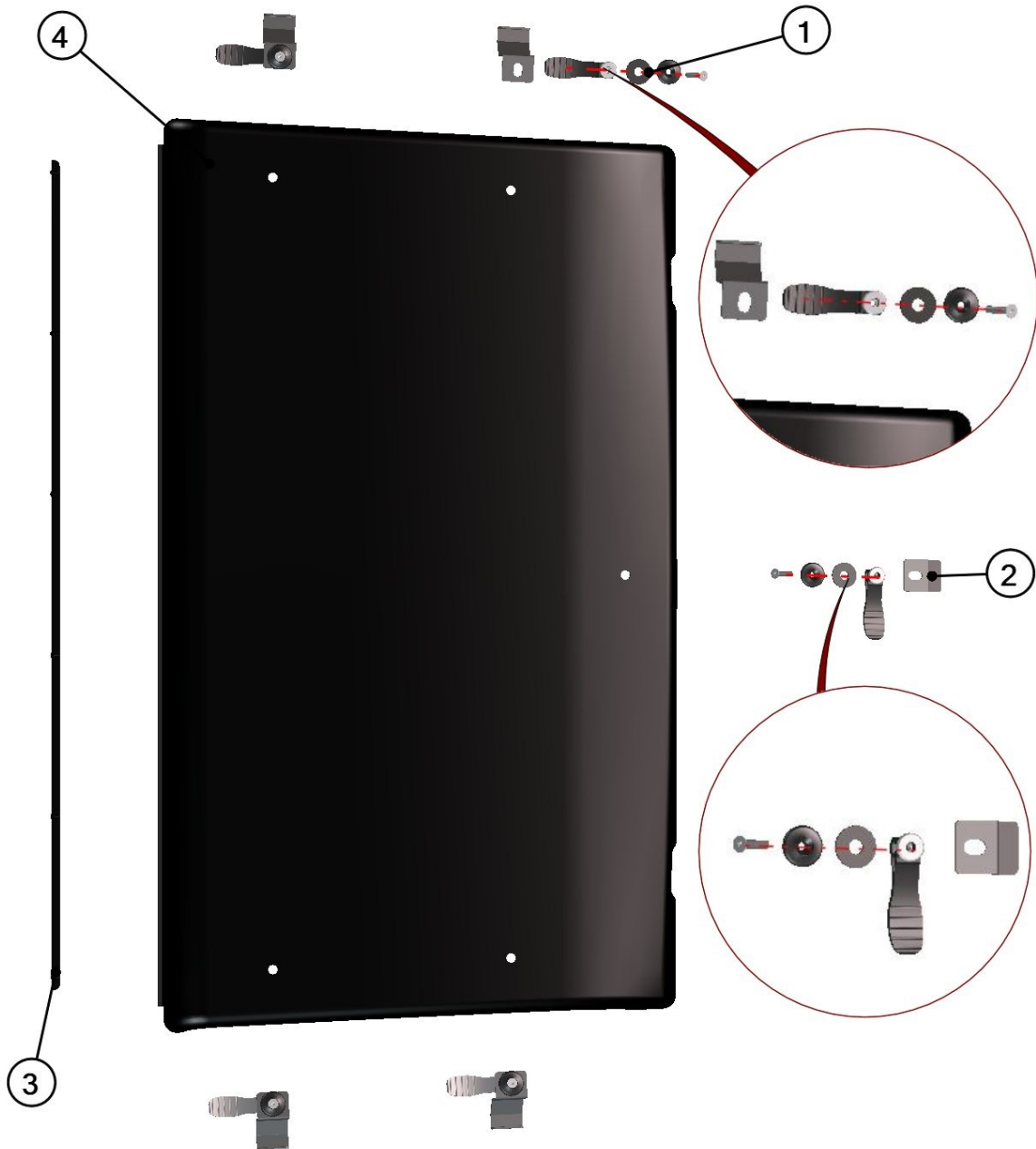
FOR ALL TECHNICAL QUESTIONS, PLEASE CALL  
DFK AMERICA INC.  
(630) 324-8585

ROOF



10

FOR ALL TECHNICAL QUESTIONS, PLEASE CALL  
DFK AMERICA INC.  
(630) 324-8585



11

Id	Catalogue no.	Description	Qty
1	32S05U01-30M001	ROOF FIXING ASSEMBLY 1	4
2	32S05U01-30M004	ROOF FIXING ASSEMBLY 2	1
3	32S06U01-30M008	REAR ROOF LEDGE	1
4	32S05U01-30-001	ROOF PANEL	1

FOR ALL TECHNICAL QUESTIONS, PLEASE CALL  
 DFK AMERICA INC.  
 (630) 324-8585

ROOF FIXING ASSEMBLY 1  
32S5U01-30M001



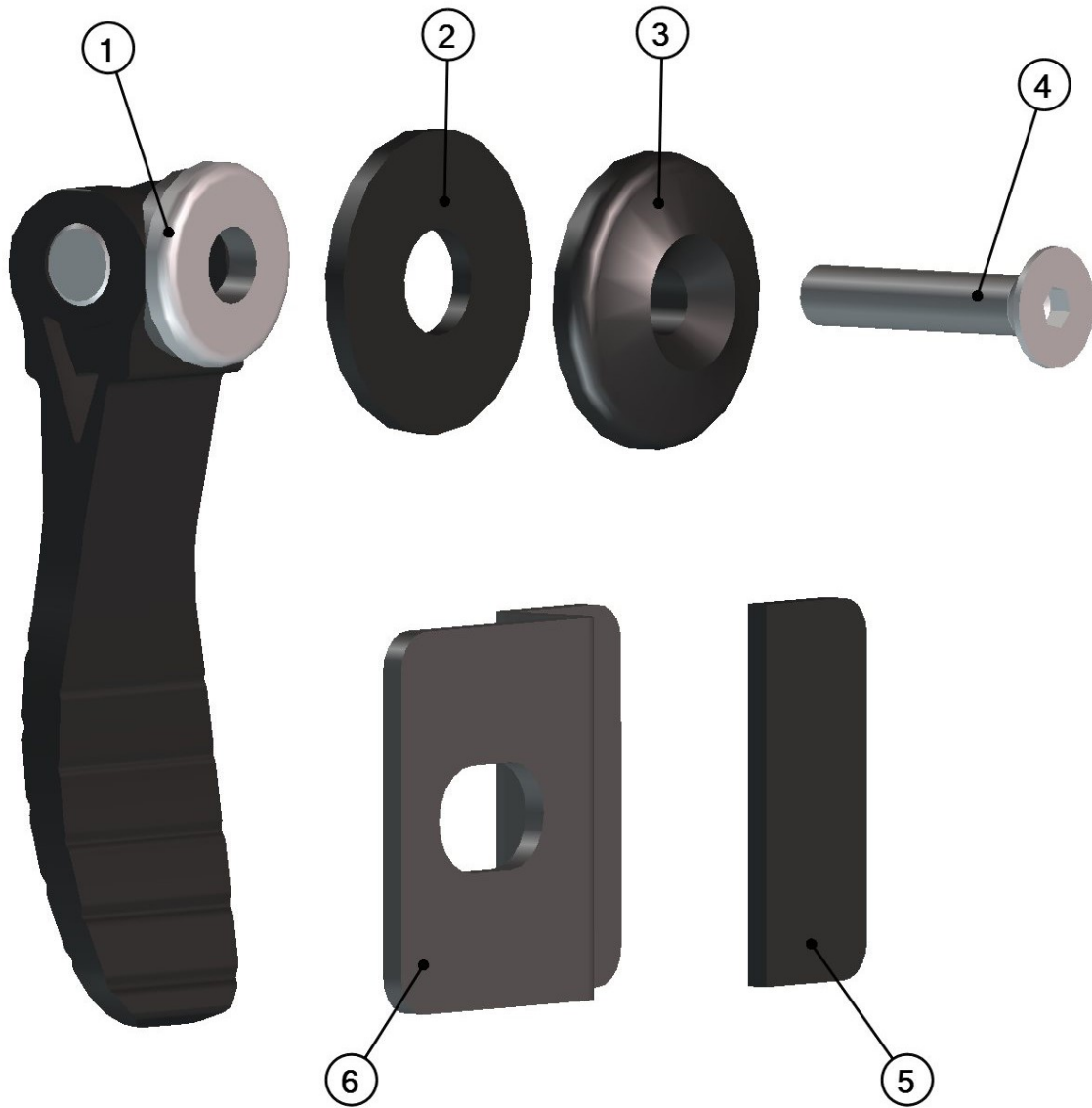
12

Id	Catalogue no.	Description	Qty
1	32S05U01-30-003	ROOF SIDE HOLDER	1
2	002607	SCREW M8x40	1
3	001429	PLASTIC WASHER	1
4	001428	RUBBER WASHER	1
5	002740	FAST LOCK HANDLE	1

FOR ALL TECHNICAL QUESTIONS, PLEASE CALL  
DFK AMERICA INC.  
(630) 324-8585

ROOF FIXING ASSEMBLY 1

32S5U01-30M004



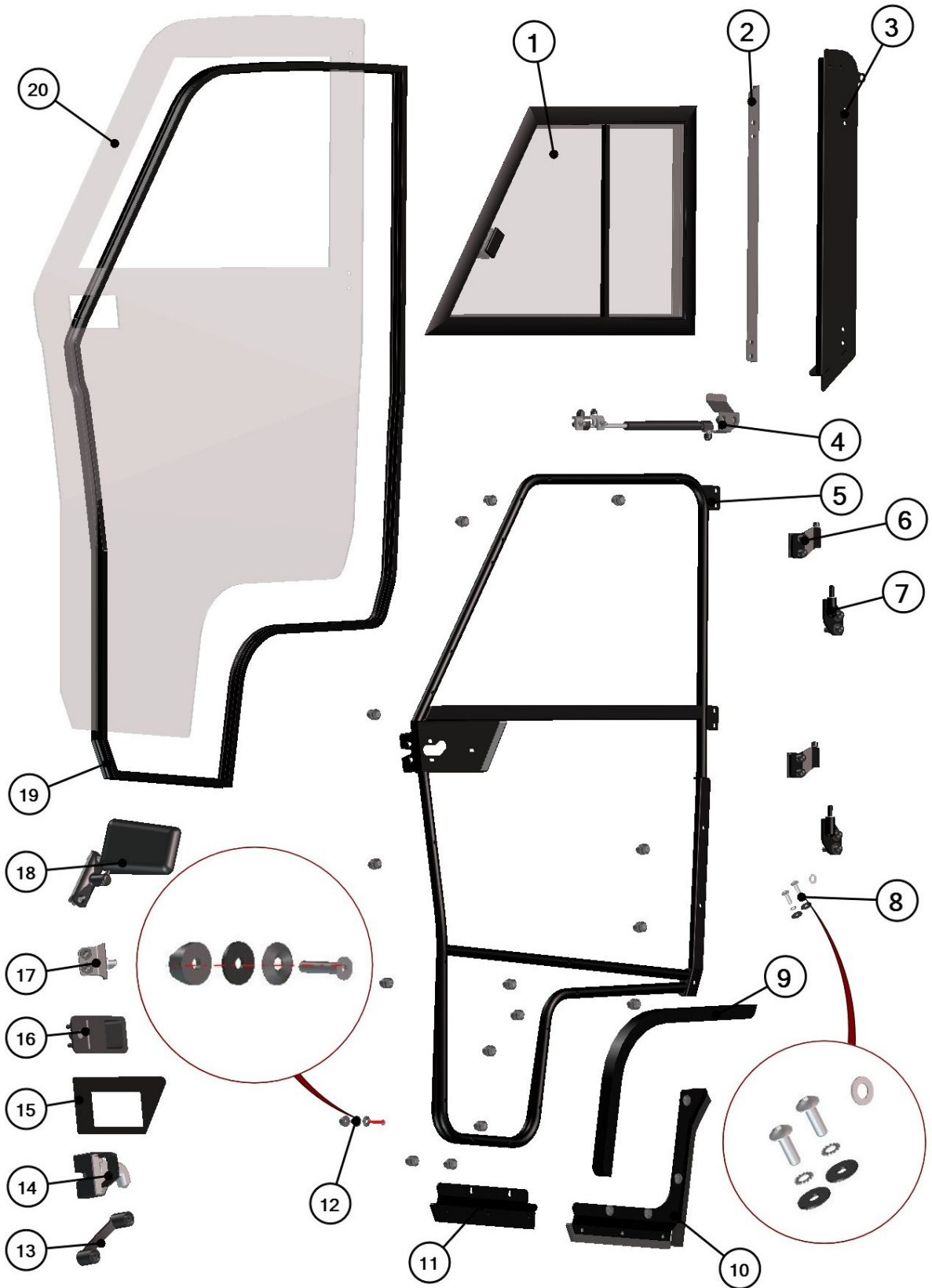
13

Id	Catalogue no.	Description	Qty
1	002740	FAST LOCK HANDLE	1
2	001428	RUBBER WASHER	1
3	001429	PLASTIC WASHER	1
4	002607	SCREW M8x40	1
5	32S05U01-30-006	SEAL "SEMPERIT"	1
6	32S05U01-30-005	FRONT ROOF HOLDER	1

FOR ALL TECHNICAL QUESTIONS, PLEASE CALL  
 DFK AMERICA INC.  
 (630) 324-8585

LEFT DOOR+RIGHT DOOR





15

FOR ALL TECHNICAL QUESTIONS, PLEASE CALL  
DFK AMERICA INC.  
(630) 324-8585

**LEFT DOOR TABLE**

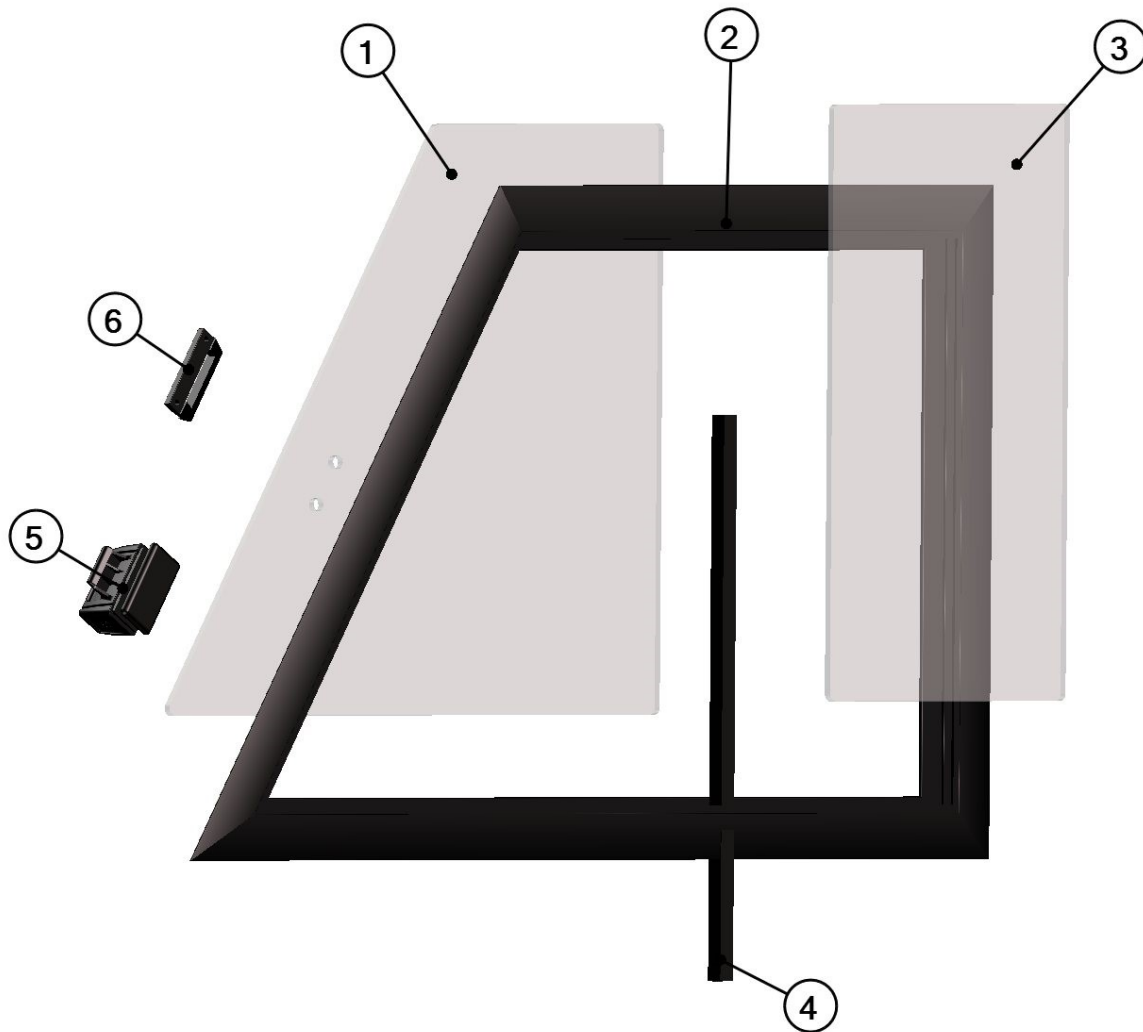
Id	Catalogue no.	Description	Qty
1	32S05U01-40M001	LEFT WINDOW ASSEMBLY	1
2	32S05U01-40-003	LEFT DOOR BASE LEDGE	1
3	32S05U01-40W001	LEFT DOOR BASE WELDED	1
4	32S05U01-40PKM001	LEFT GAS SPRING ASSEMBLY	1
5	32S05U01-40W002	LEFT DOOR FRAME WELDED	1
6	32S05U01-40M004	LEFT DOOR HINGE	2
7	32S05U01-40M007	LEFT FRAME HINGE	2
8	32S05U01-40M005	DOOR BASE FIXING ASSEMBLY	1
9	32S05U01-40-027	LEFT DOOR SEALING	1
10	32S05U01-40PKM002	LEFT DOOR SEALING ASSEMBLY	1
11	32S05U01-40M006	LEFT DOOR BOTTOM SEALING	1
12	00-00M019	POLYCARBONATE FIXING ASSEMBLY	16
13	001703	DOOR HANDLE	1
14	00-40M019	LEFT INNER DOOR LOCK	1
15	32S05U01-40-016	LOCK WASHER	1
16	000841	OUTER DOOR LOCK	1
17	32S05U01-40M003	LEFT DOOR STOP ASSEMBLY	1
18	00-109U-M001	LEFT DOOR MIRROR	1
19	002454*32S05U01S40	RUBBER PROFILE "SARAZIN SIDE"	1
20	32S05U01-40-005	LEFT DOOR POLYCARBONATE	1

**RIGHT DOOR TABLE**

Id	Catalogue no.	Description	Qty
1	32S05U01-50M001	RIGHT WINDOW ASSEMBLY	1
2	32S05U01-50-003	RIGHT DOOR BASE LEDGE	1
3	32S05U01-50W001	RIGHT DOOR BASE WELDED	1
4	32S05U01-50PKM001	RIGHT GAS SPRING ASSEMBLY	1
5	32S05U01-50W002	RIGHT DOOR FRAME WELDED	1
6	32S05U01-50M004	RIGHT DOOR HINGE	2
7	32S05U01-50M007	RIGHT FRAME HINGE	2
8	32S05U01-40M005	DOOR BASE FIXING ASSEMBLY	1
9	32S05U01-50-027	RIGHT DOOR SEALING	1
10	32S05U01-50PKM002	RIGHT DOOR SEALING ASSEMBLY	1
11	32S05U01-50M006	RIGHT DOOR BOTTOM SEALING	1
12	00-00M019	POLYCARBONATE FIXING ASSEMBLY	16
13	001703	DOOR HANDLE	1
14	00-50M019	RIGHT INNER DOOR LOCK	1
15	32S05U01-40-016	LOCK WASHER	1
16	000841	OUTER DOOR LOCK	1
17	32S05U01-50M003	RIGHT DOOR STOP ASSEMBLY	1
18	00-109U-M002	RIGHT DOOR MIRROR	1
19	002454*32S05U01S40	RUBBER PROFILE "SARAZIN SIDE"	1
20	32S05U01-50-005	RIGHT DOOR POLYCARBONATE	1



LEFT WINDOW ASSEMBLY  
32S5U01-40M001

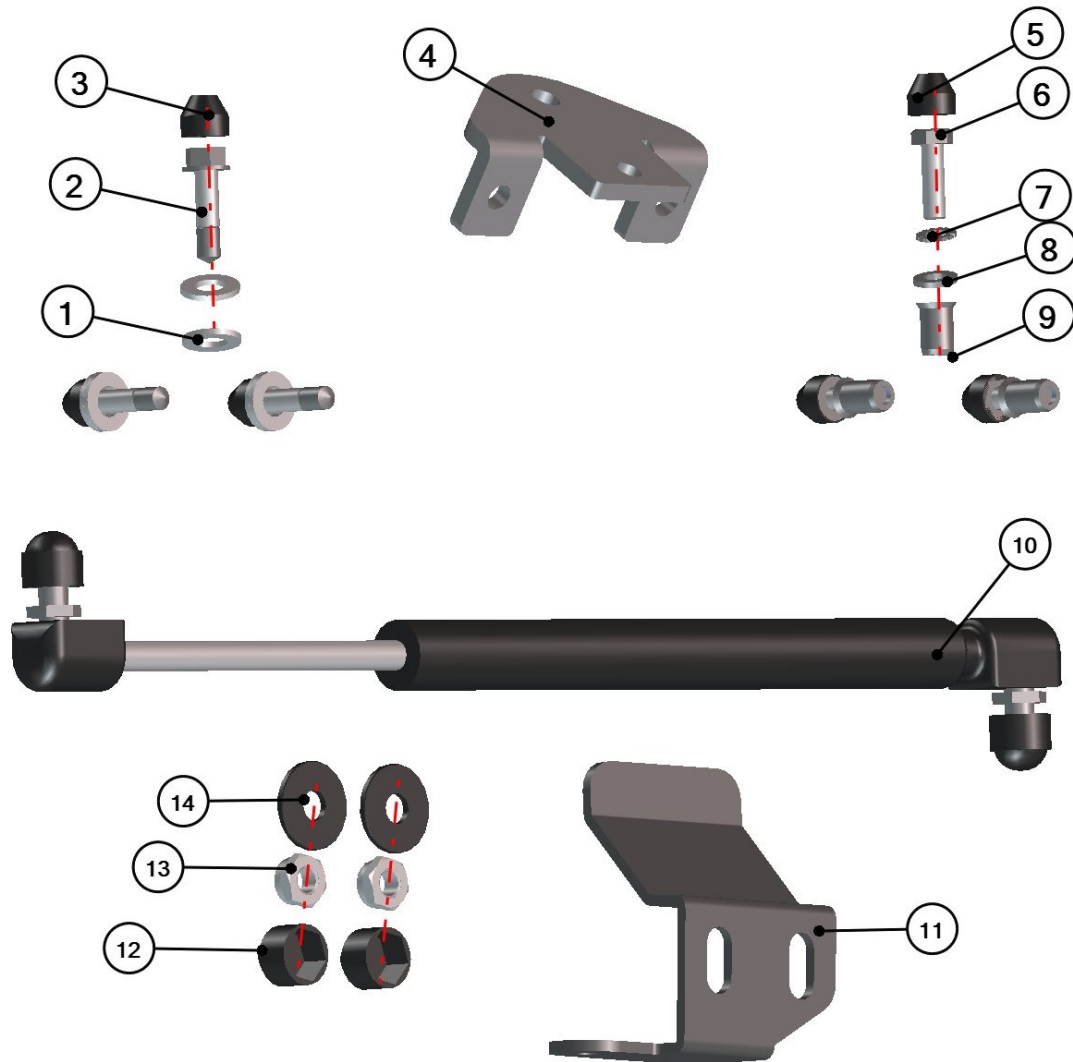


17

Id	Catalogue no.	Description	Qty
1	32S05U01-40-009	DOOR GLASS MOVABLE	1
2	32S05U01-40-006	LEFT WINDOW FRAME	1
3	32S05U01-40-008	DOOR GLASS SOLID	1
4	32S05U01-40-010	AL PROFILE "U"	1
5	001700	GLASS LOCK	1
6	001762	GLASS STOP	1

For the right window frame just use **32S05U01-50-006**.

**LEFT GAS SPRING ASSEMBLY**  
32S05U01-40PKM001

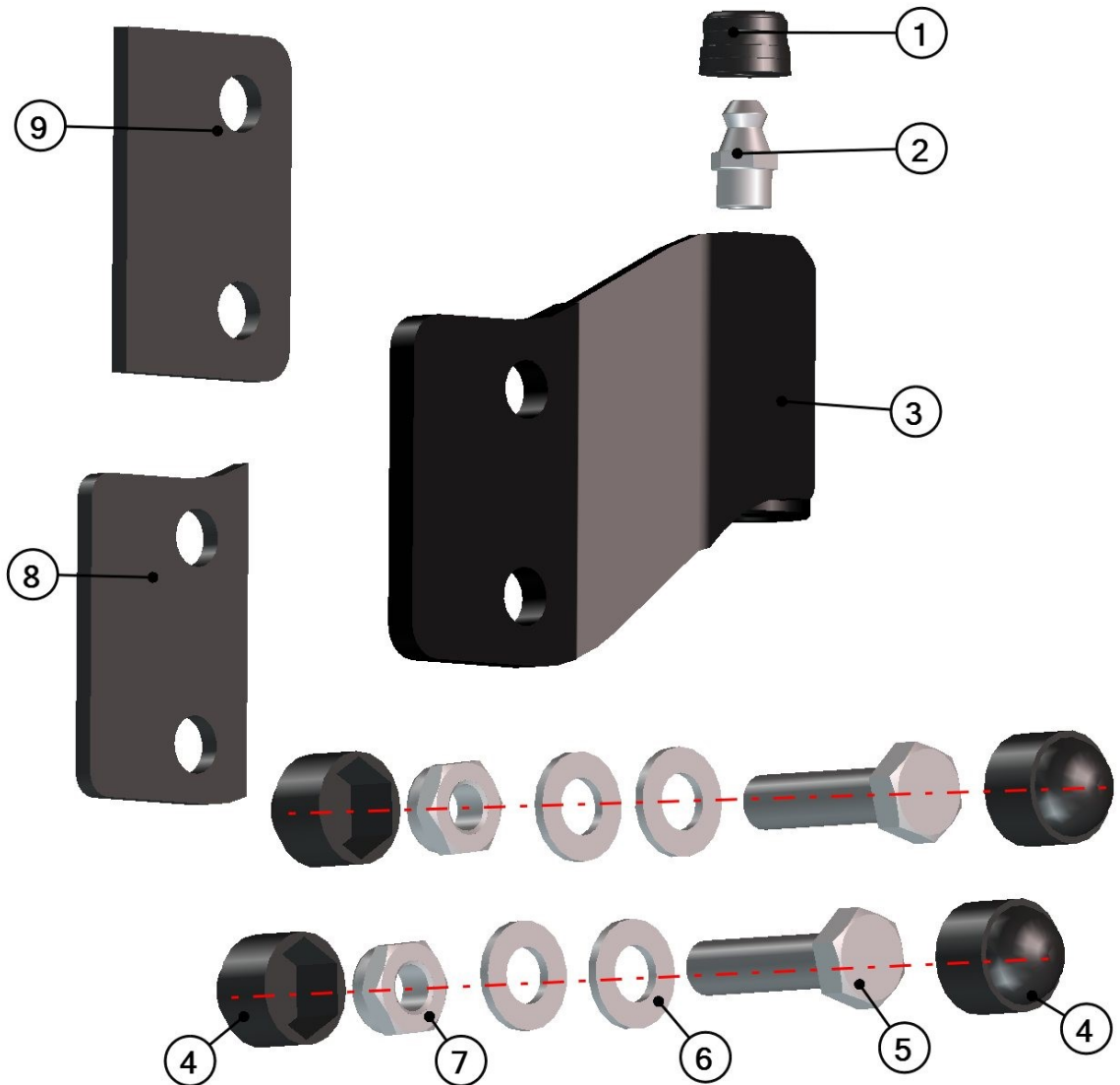


18

Id	Catalogue no.	Description	Qty
1	001387	WASHER 8	6
2	001459	TEX SCREW 6,3x25	3
3	001348	PLASTIC NUT COVER OK 10	3
4	32S05U01-40PK-002	DOOR GAS SPRING HOLDER	1
5	001348	PLASTIC NUT COVER OK 10	3
6	001398	SCREW M6x20	3
7	001488	SERATTED-LOCK WASHER 6	3
8	001426	WASHER 6	3
9	001397	RIVET NUT M6x15	3
10	000865	GAS SPRING	1
11	32S05U01-40PK-001	FRAME GAS SPRING HOLDER	1
12	001309	PLASTIC NUT COVER OK 13	2
13	001388	SELF LOCKING NUT M8	2
14	003322	WASHER 8 LARGE	2

For the right frame gas spring holder just use **32S05U01-50PK-001**.

LEFT DOOR HINGE ASSEMBLY  
32S5U01-40M004



19

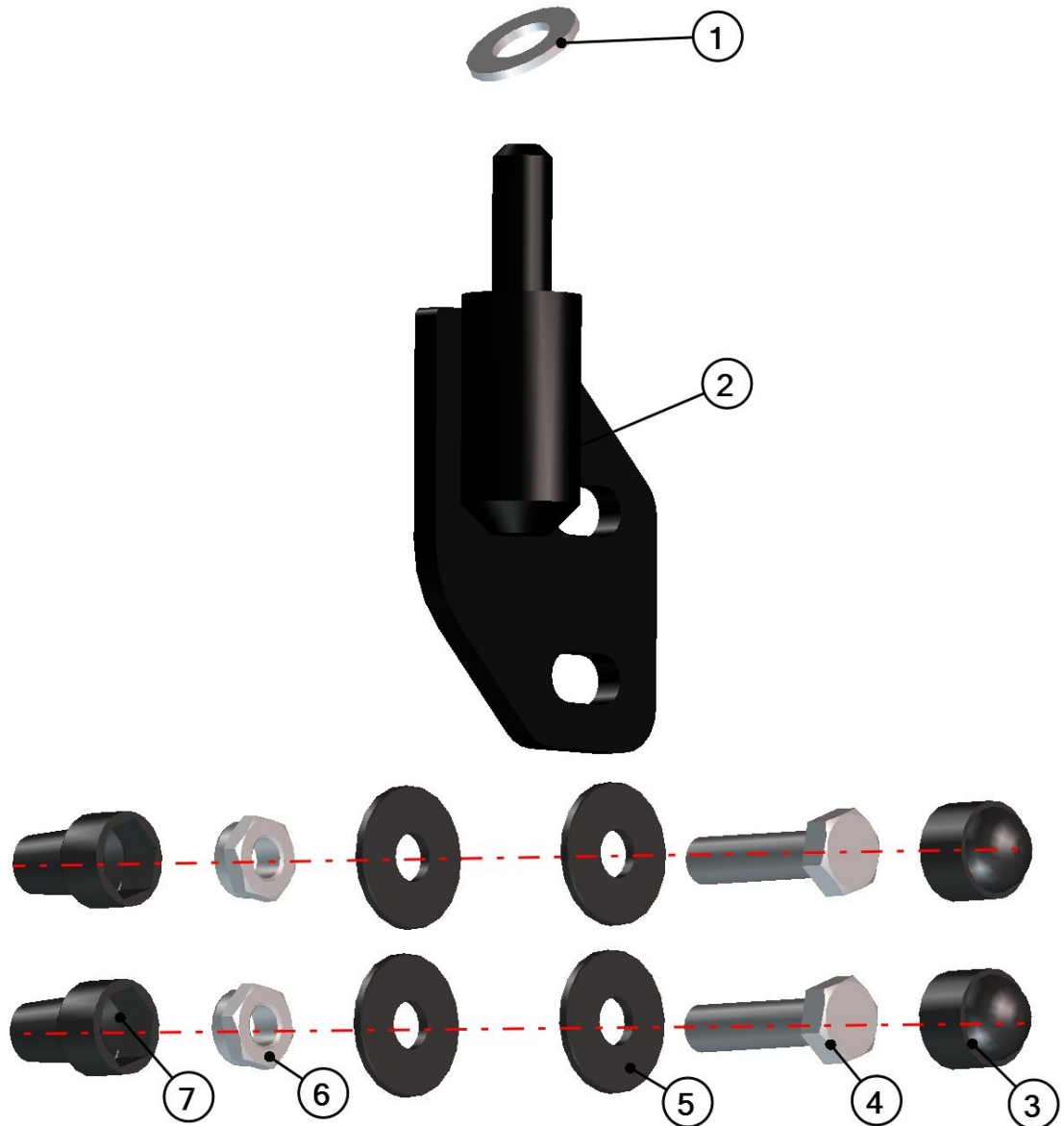
Id	Catalogue no.	Description	Qty
1	001431	PLASTIC COVER	1
2	001430	LUBRICATOR	1
3	32S05U01-40W003	LEFT DOOR HINGE	1
4	001309	PLASTIC NUT COVER M8	4
5	001411	SCREW M8x30	2
6	001387	WASHER 8	4
7	001388	SELF-LOCKING NUT M8	2
8	32S05U01-40-028	SEAL "SEMPERIT"	1
9	00-105U-014	RUBBER FRAME WASHER	1

For the right door hinge just use **32S05U01-50W003**.

FOR ALL TECHNICAL QUESTIONS, PLEASE CALL  
DFK AMERICA INC.  
(630) 324-8585

LEFT FRAME HINGE ASSEMBLY

32S5U01-40M007



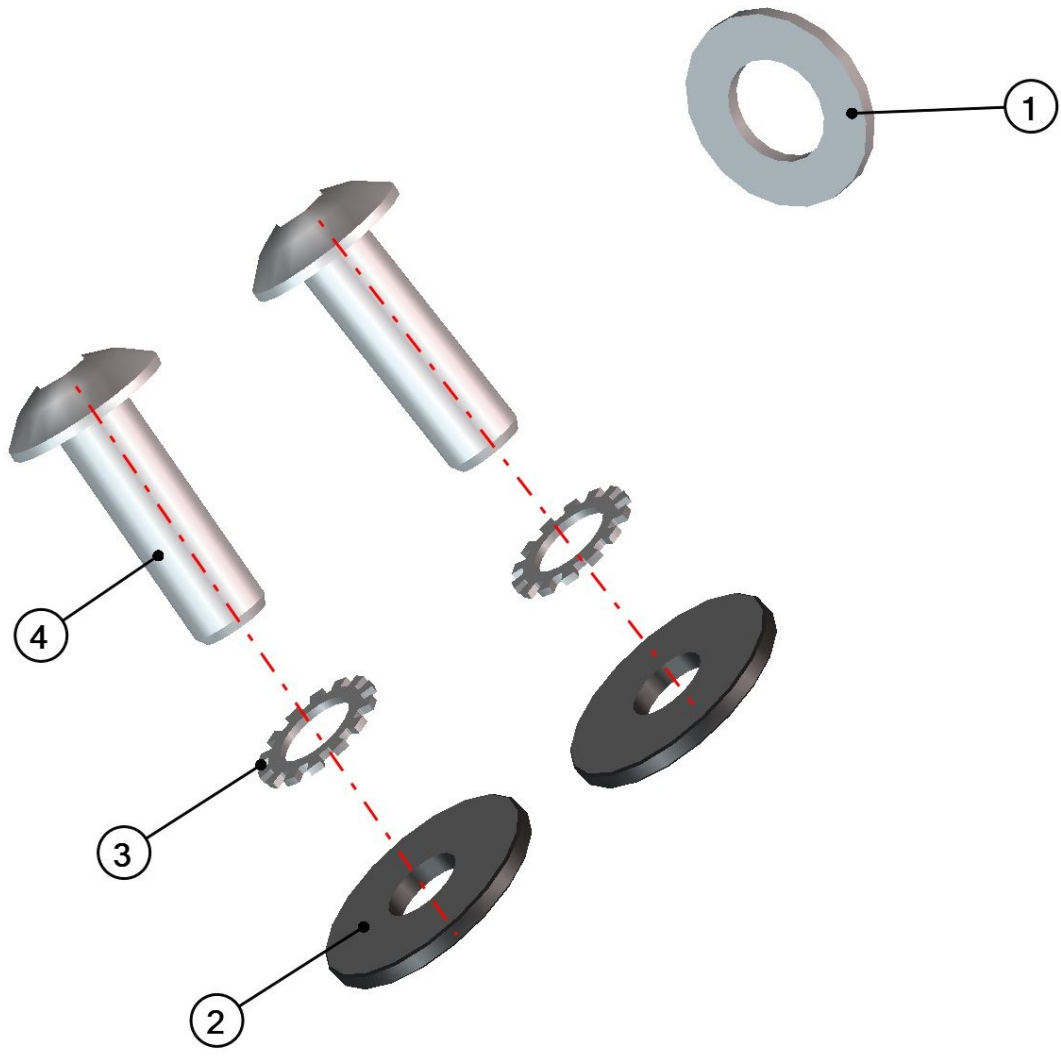
20

Id	Catalogue no.	Description	Qty
1	001485	WASHER 10	1
2	32S05U01-40W005	LEFT FRAME HINGE WELDED	1
3	001309	PLASTIC NUT COVER M8	2
4	001411	SCRW M8x30	2
5	003322	WASHER 8 LARGE	4
6	001388	SELF-LOCKING NUT M8	2
7	001308	PLASTIC NUT COVER OK 13 LONG	2

For the right frame hinge just use **32S05U01-50W005**.

FOR ALL TECHNICAL QUESTIONS, PLEASE CALL  
 DFK AMERICA INC.  
 (630) 324-8585

DOOR BASE FIXING ASSEMBLY  
32S5U01-40M005

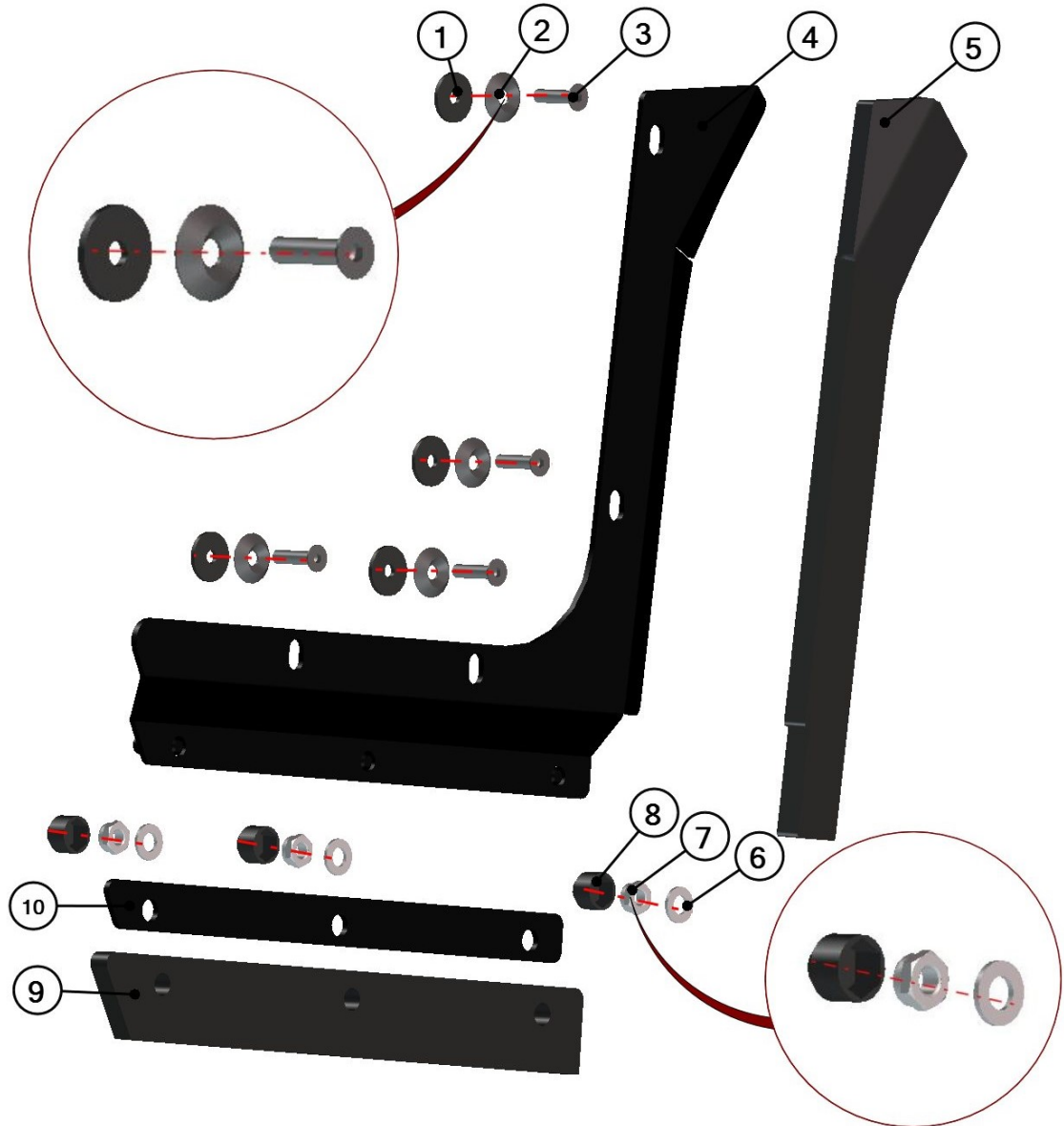


Id	Catalogue no.	Description	Qty
1	001485	WASHER 10	1
2	001407	WASHER 8 LARGE	2
3	001489	SERATTED-LOCK WASHER 8	2
4	002746	SCREW M8x25	2

FOR ALL TECHNICAL QUESTIONS, PLEASE CALL  
DFK AMERICA INC.  
(630) 324-8585

LEFT DOOR SEALING ASSEMBLY

32S5U01-40PKM002



Id	Catalogue no.	Description	Qty
1	001735	RUBBER WASHER	4
2	001715	PLASTIC WASHER	4
3	002120	SCREW M6x25	4
4	32S05U01-40PKW001	LEFT DOOR SEALING LEDGE WELDED	1
5	32S05U01-40PK-004	LEFT DOOR SEALING EPDM	1
6	001387	WASHER 8	3
7	001388	SELF-LOCKING NUT M8	3
8	001309	PLASTIC NUT COVER OK13	3
9	32S05U01-40-023	DOOR SEALING EPDM	1
10	32S05U01-40-024	DOOR SEALING LATH	1

For the right door sealing ledge just use **32S05U01-50PKW001**.

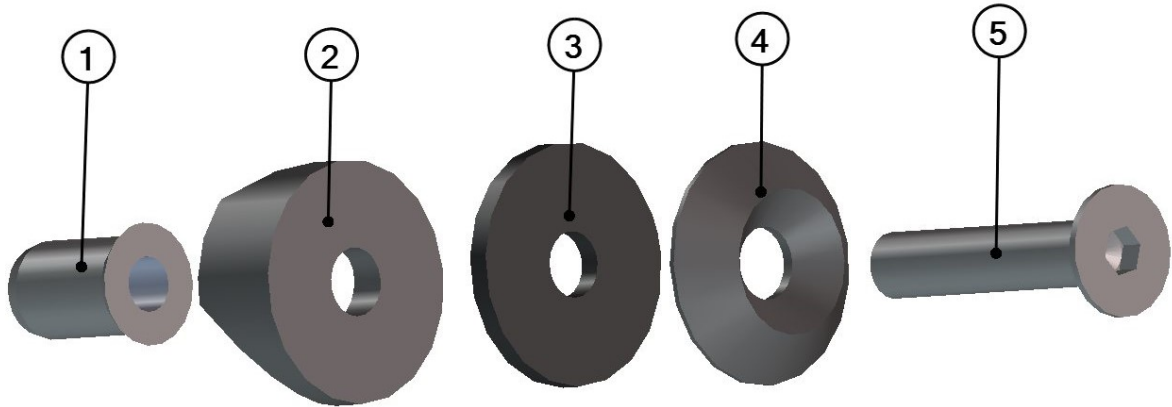
FOR ALL TECHNICAL QUESTIONS, PLEASE CALL

DFK AMERICA INC.

(630) 324-8585

POLYCARBONATE FIXING ASSEMBLY

00-00M019

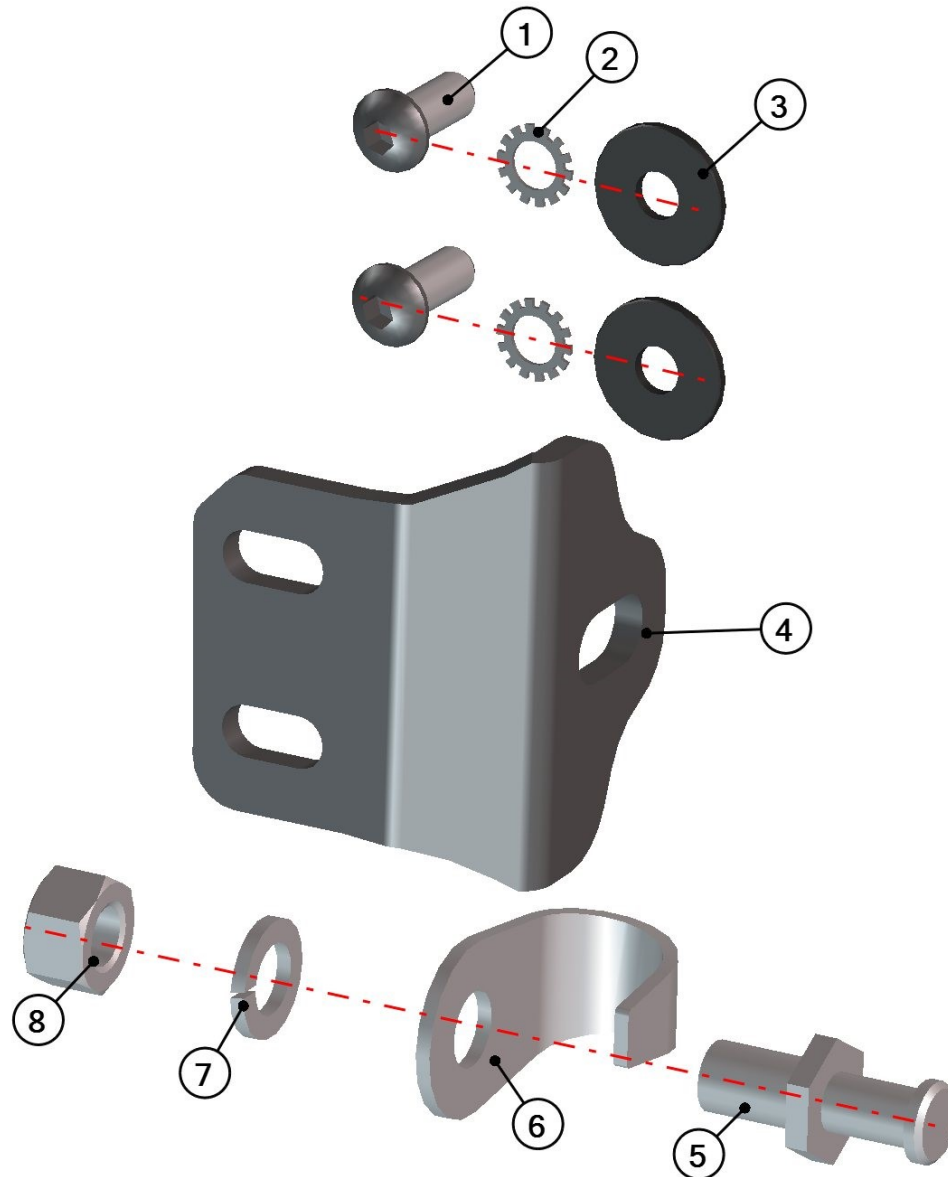


Id	Catalogue no.	Description	Qty
1	001397	RIVET NUT M6x15	1
2	001736	SADDLE WASHER	1
3	001735	RUBBER WASHER	1
4	001715	PLASTIC WASHER	1
5	001701	SCREW M6x30	1

FOR ALL TECHNICAL QUESTIONS, PLEASE CALL  
 DFK AMERICA INC.  
 (630) 324-8585

LEFT DOOR STOP ASSEMBLY

32S5U01-40M004



Id	Catalogue no.	Description	Qty
1	002745	SCREW M8x20	2
2	001489	SERRATED-LOCK WASHER 8	2
3	001407	WASHER 8 LARGE	2
4	32S05U01-40-019	LEFT DOOR STOP HOLDER	1
5	000854	DOOR STOP PIN	1
6	000855	DOOR STOP HOOK	1
7	000857	DOOR STOP WASHER	1
8	000856	DOOR STOP NUT	1

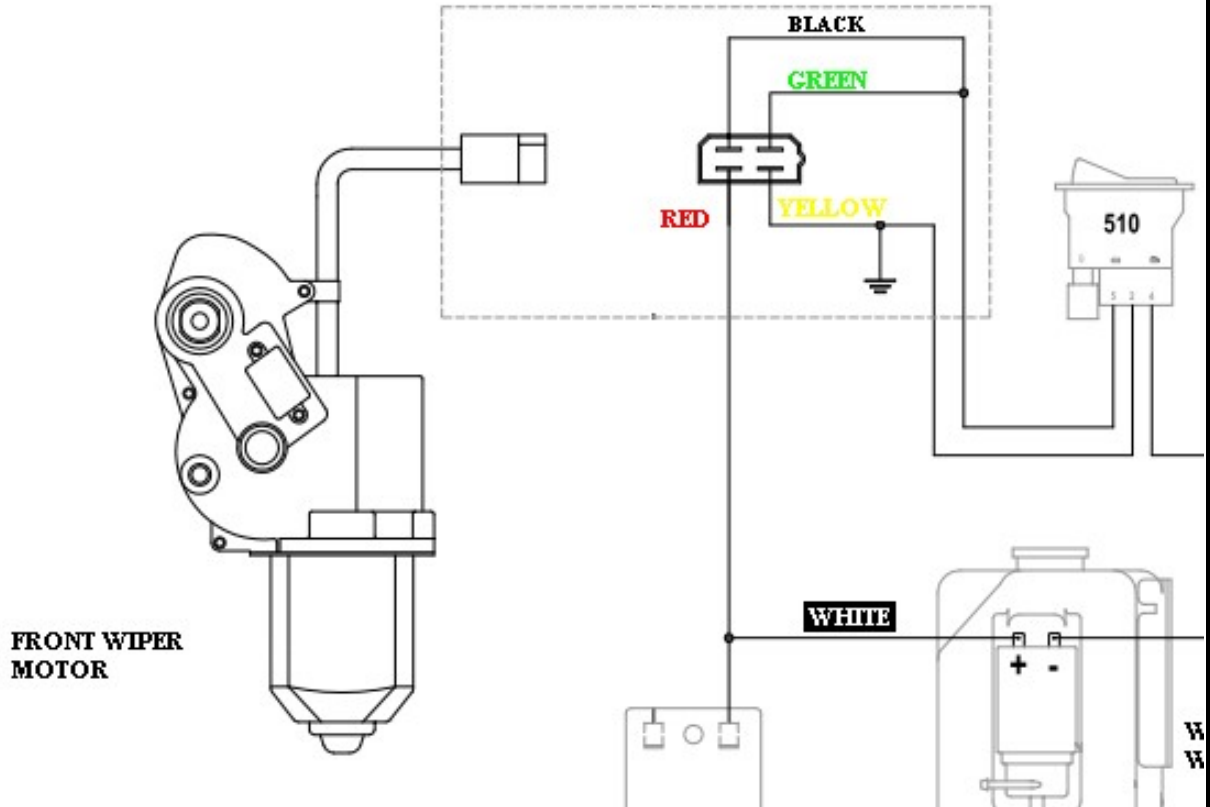
For the right door stop holder just use **32S05U01-50-019**.

FOR ALL TECHNICAL QUESTIONS, PLEASE CALL  
 DFK AMERICA INC.  
 (630) 324-8585

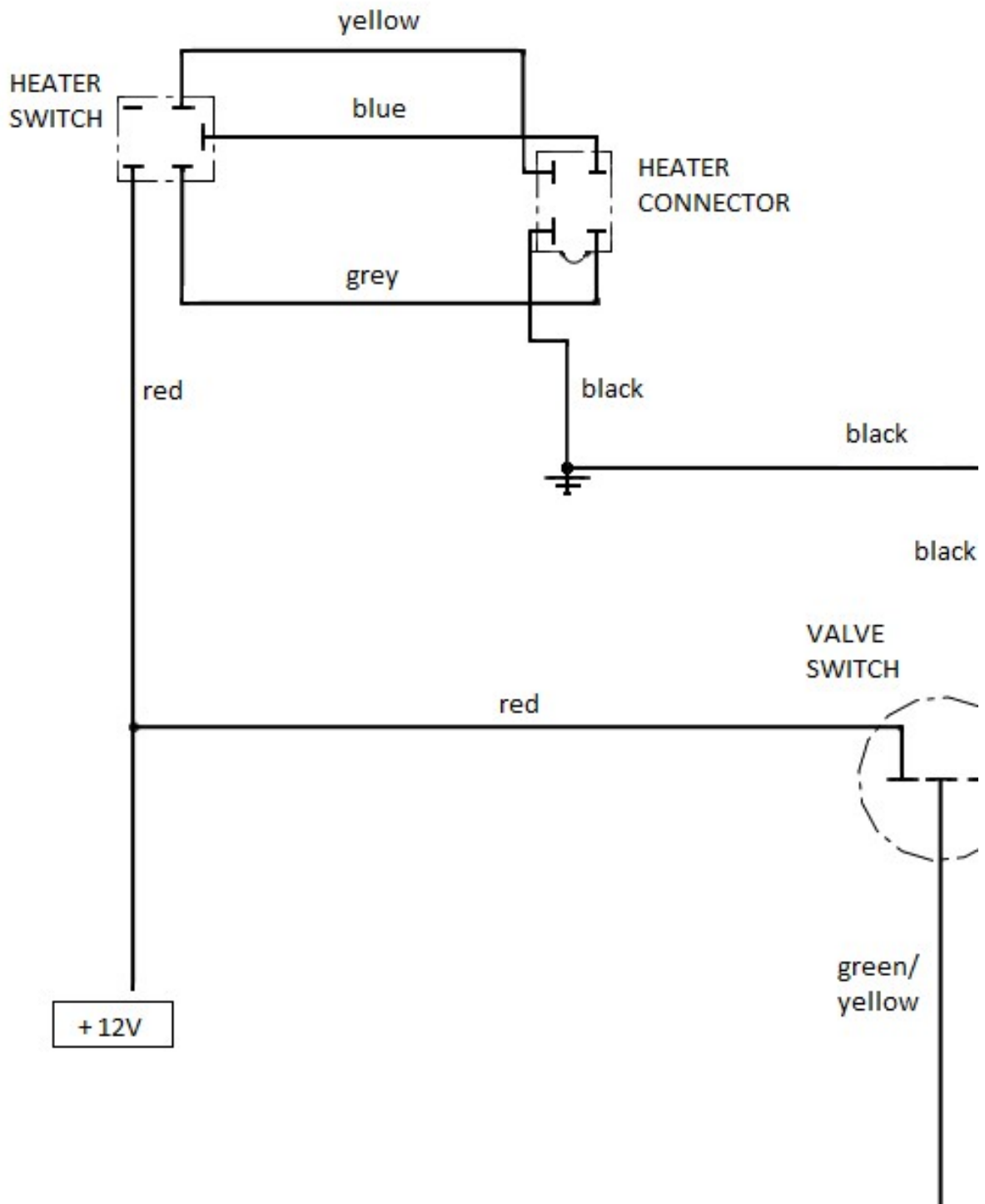


ELECTROINSTALLATION

Overall wiring diagram (wiper/washer)



Overall wiring diagram (heater)










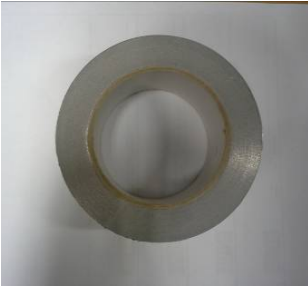

26

Position	Catalogue no.	Description	Qty
1	000968	SWITCH WIPER /WASHER /OFF	1
2	000885	WASHER TANK	1
3	001576	WASHER MOTOR	1
4	001652	FUSE BOX 2x1	1
5	002764	WIPER MOTOR 12V	1
6	32S05U01-01M001	WIPER HARNESS	1
7	32S05U01-02-001	HEATER HOLDER	1
8	002491	AIR VENT VALVE	1
9	002386	ELECTROMAGNETIC VALVE	1
10	001367	TIGHTENING STRAP 12-22MM	2
11	002642	TIGHTENING STRAP 14-27MM	10
12	002643	TIGHTENING STRAP 21-38MM	2
13	001368	TIGHTENING STRAP 40-60MM	4
14	002863	AIR VENT SMALLER	2
15	002379	AIR VENT BIGGER	2
16	002795	AIR HOSE	1
17	002705	AL SELFGLUED TAPE	1
18	003536	HEATER TUBE "Y" SMALL	1
19	002502	HEATER TUBE "Y" LARGE	1
20	002391	EL.VENT SWITCH	1
21	002702	HEATER SWITCH	1
22	32S05U01-02M001	HEATER HARNESS	1
23	000896	HEATER HOSE	1
24	002624	HEATER	1
25	32S05U01-03M001	WASHER HARNESS	1

SEE PICTURES ON NEXT PAGES

27

		
<p><b>Position : 1</b></p>	<p><b>Position : 2</b></p>	<p><b>Position : 3</b></p>
<p><b>Catalogue no.: 000968</b></p>	<p><b>Catalogue no.: 000885</b></p>	<p><b>Catalogue no.: 001576</b></p>
		
<p><b>Position : 4</b></p>	<p><b>Position : 5</b></p>	<p><b>Position : 6</b></p>
<p><b>Catalogue no.: 001652</b></p>	<p><b>Catalogue no.: 002764</b></p>	<p><b>Catalogue no.: 32S05U01-01M001</b></p>
		
<p><b>Position : 7</b></p>	<p><b>Position : 8</b></p>	<p><b>Position : 9</b></p>
<p><b>Catalogue no.: 32S05U01-02-001</b></p>	<p><b>Catalogue no.: 002491</b></p>	<p><b>Catalogue no.: 002386</b></p>

		
<b>Position : 10</b>	<b>Position : 11</b>	<b>Position : 12</b>
<b>Catalogue no.: 001367</b>	<b>Catalogue no.: 002642</b>	<b>Catalogue no.: 002643</b>
		
<b>Position : 13</b>	<b>Position : 14</b>	<b>Position : 15</b>
<b>Catalogue no.: 001368</b>	<b>Catalogue no.: 002863</b>	<b>Catalogue no.: 002739</b>
		
<b>Position : 16</b>	<b>Position : 17</b>	<b>Position : 18</b>
<b>Catalogue no.: 002795</b>	<b>Catalogue no.: 002705</b>	<b>Catalogue no.: 003536</b>

<p><b>Position : 19</b> <b>Catalogue no.: 002502</b></p>	<p><b>Position :20</b> <b>Catalogue no.: 002391</b></p>	<p><b>Position : 21</b> <b>Catalogue no.: 002702</b></p>
<p><b>Position : 22</b> <b>Catalogue no.: 32S05U01-02M001</b></p>	<p><b>Position : 23</b> <b>Catalogue no.: 000896</b></p>	<p><b>Position : 24</b> <b>Catalogue no.: 002624</b></p>
<p><b>Position : 25</b> <b>Catalogue no.: 32S05U01-03M001</b></p>		