



SPARE - PARTS CATALOG

POLARIS
PROTECTOR
RANGER XP570 FULL SIZED
RANGER XP800

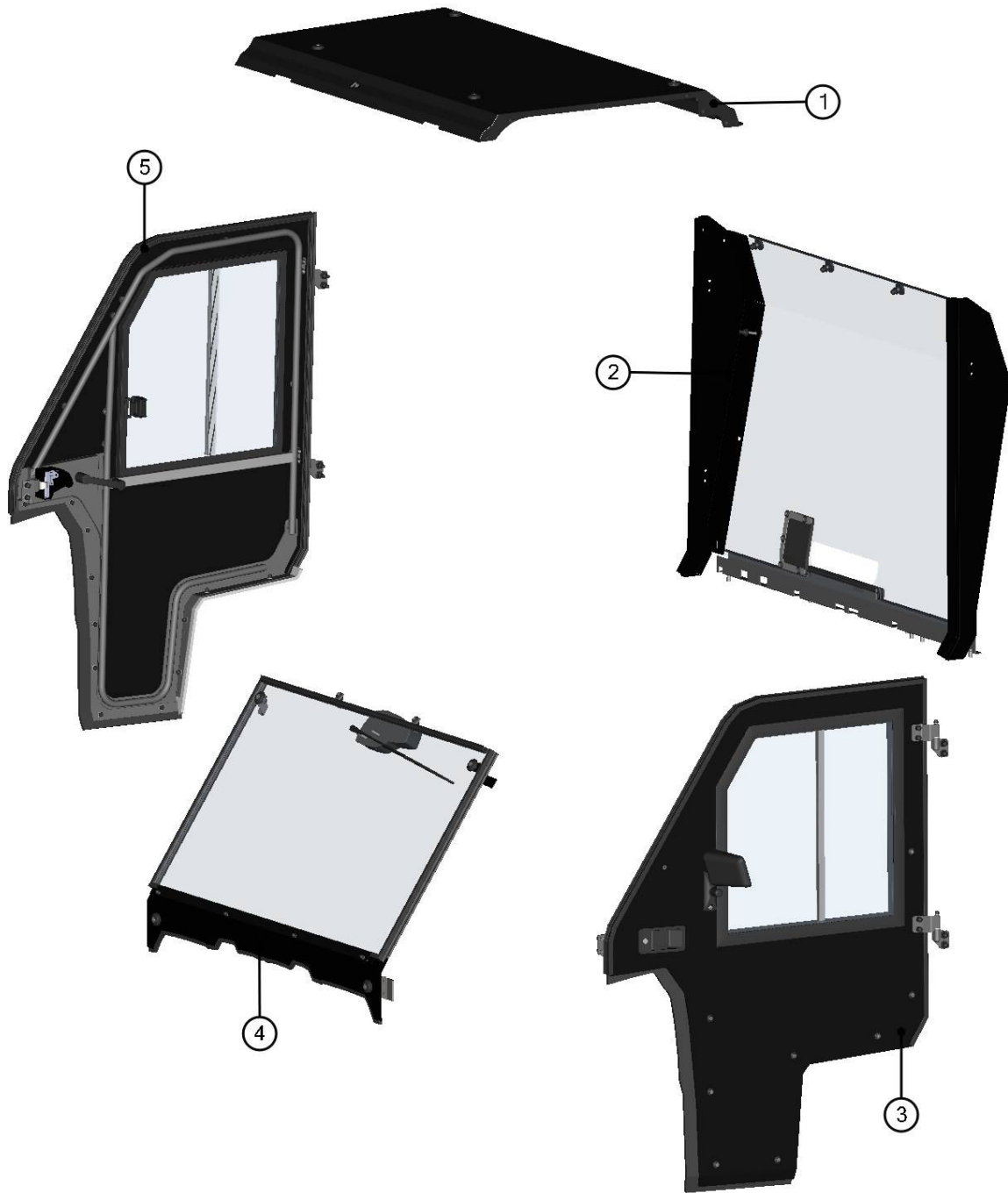
HardCabs →

CAB PREVIEW



2

FOR ALL TECHNICAL QUESTIONS, PLEASE CALL
DFK AMERICA INC.
(630) 324-8585, OPTION 3



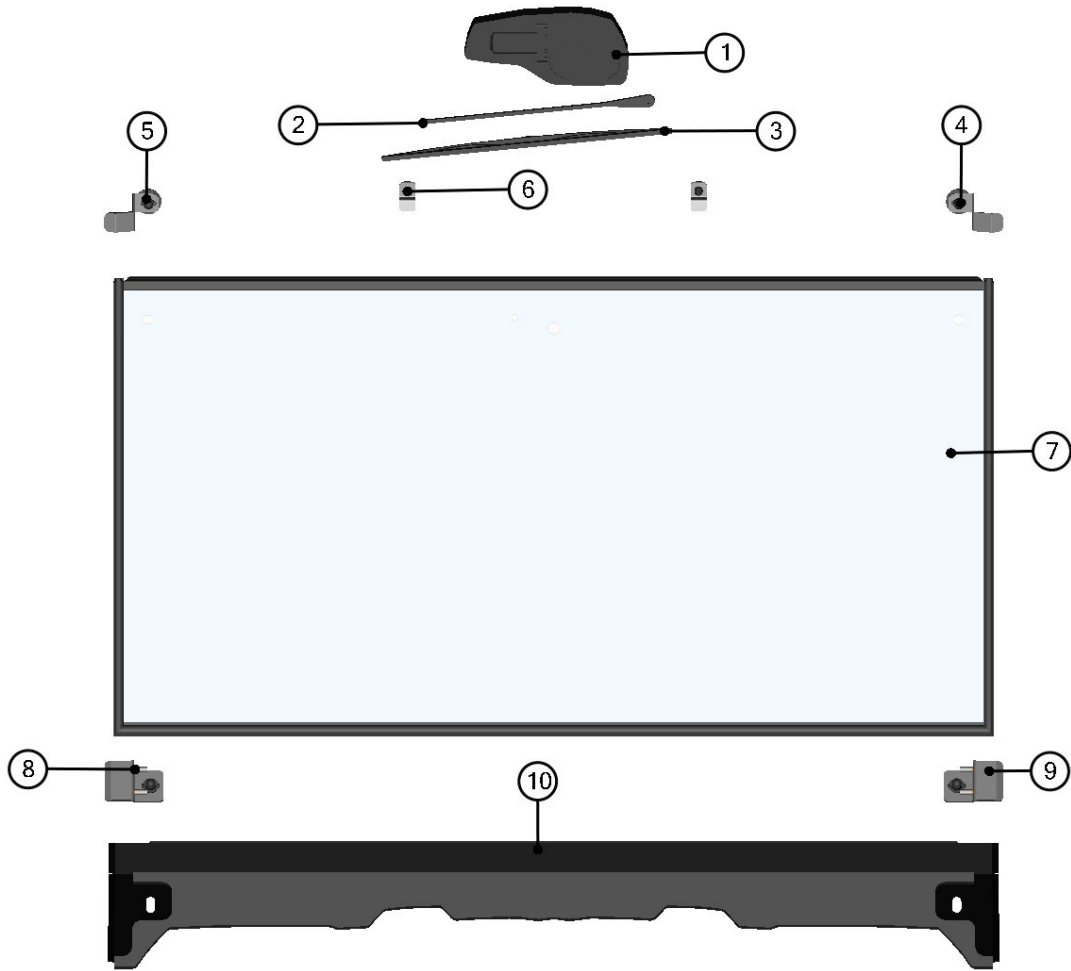
3

Id	Catalogue no.	Description	Qty
1	32S01U05S30	ROOF	1
2	32S01U02S20	REAR PANEL	1
3	32S01R01S40	LEFT DOOR	1
4	32S03U02S10	FRONT PANEL	1
5	32S01R01S50	RIGHT PANEL	1

FOR ALL TECHNICAL QUESTIONS, PLEASE CALL
DFK AMERICA INC.
(630) 324-8585, OPTION 3

FRONT PANEL





5

ID	Catalogue no.	Description	Qty
1	001763	WIPER MOTOR	1
2	001764	WIPER ARM	1
3	000798	WIPER BLADE	1
4	32S01U02-10M012	FRONT PANEL RIGHT UPPER HOLDER ASSEMBLY	1
5	32S01U02-10M011	FRONT PANEL LEFT UPPER HOLDER ASSEMBLY	1
6	32S01U02-10M007	ROOF PANEL HOLDER ASSEMBLY	2
7	32S01U02-10M001	FRONT GLASS WITH SEALING	1
8	32S01U02-10M009	FRONT PANEL LEFT BOTTOM HOLDER ASSEMBLY	1
9	32S01U02-10M010	FRONT PANEL RIGHT BOTTOM HOLDER ASSEMBLY	1
10	32S01U02-10M002	FRONT BOTTOM LEDGE ASSEMBLY	1

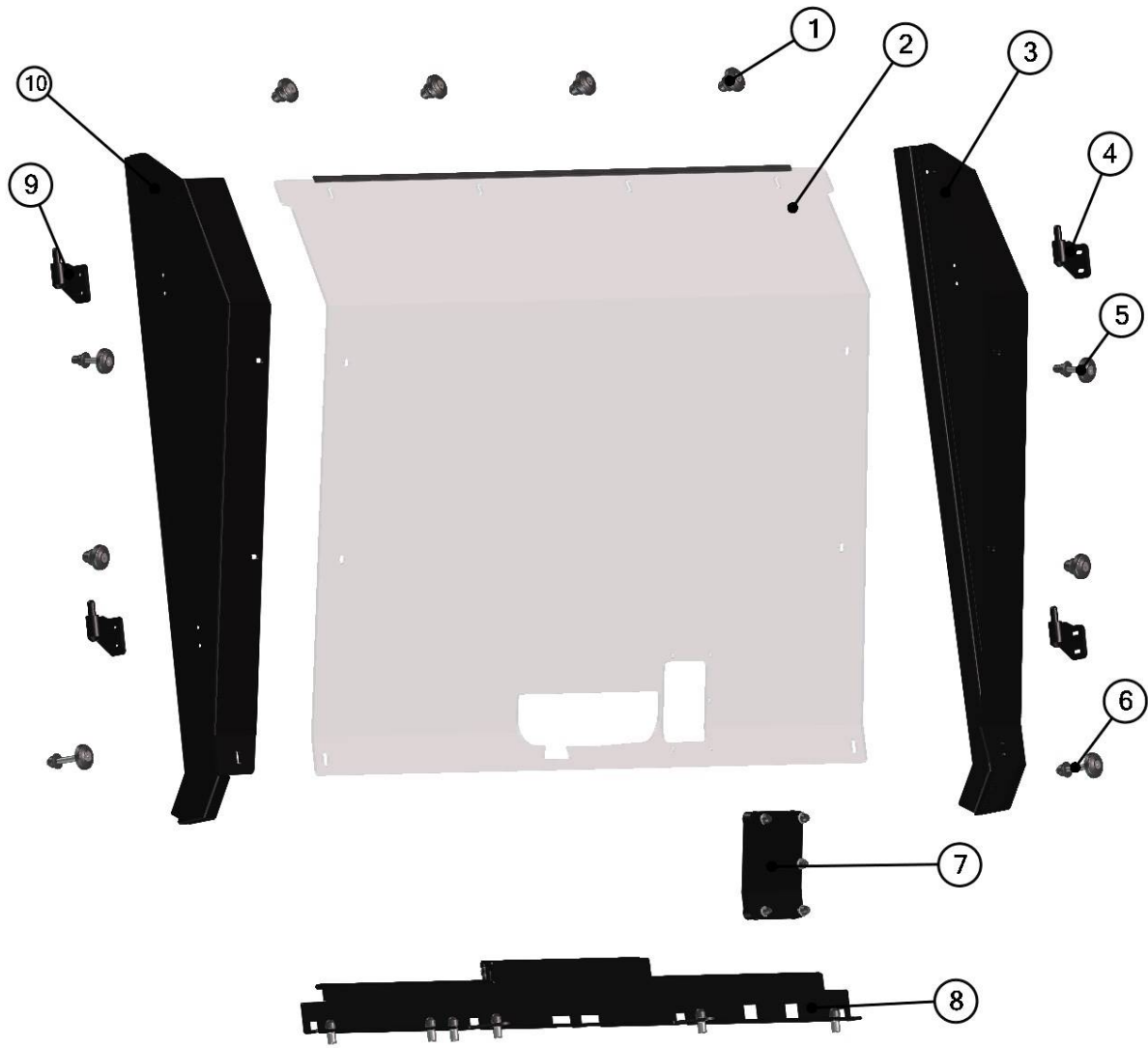
FOR ALL TECHNICAL QUESTIONS, PLEASE CALL
DFK AMERICA INC.
(630) 324-8585, OPTION 3

REAR PANEL



6

FOR ALL TECHNICAL QUESTIONS, PLEASE CALL
DFK AMERICA INC.
(630) 324-8585, OPTION 3



7

Id	Catalogue no.	Description	Qty
1	32S01U02-30M004	FIXING ASSEMBLY	6
2	32S01U02-20-001	REAR POLYCARBONATE	1
3	32S01U02-20W002	RIGHT DOOR BASE WELDED	1
4	32S01U02-50W003	RIGHT BASE HINGE	2
5	32S01U02-20M002	REAR FIXING ASSEMBLY 1	2
6	32S01U02-20M003	REAR FIXING ASSEMBLY 2	2
7	32S01U02-20M006	REAR SEALING ASSEMBLY	1
8	32S01U02-20M001	REAR BOTTOM LEDGE	1
9	32S01U02-40W003	LEFT BASE HINGE	2
10	32S01U02-20W001	LEFT DOOR BASE WELDED	1

FOR ALL TECHNICAL QUESTIONS, PLEASE CALL
DFK AMERICA INC.
(630) 324-8585, OPTION 3



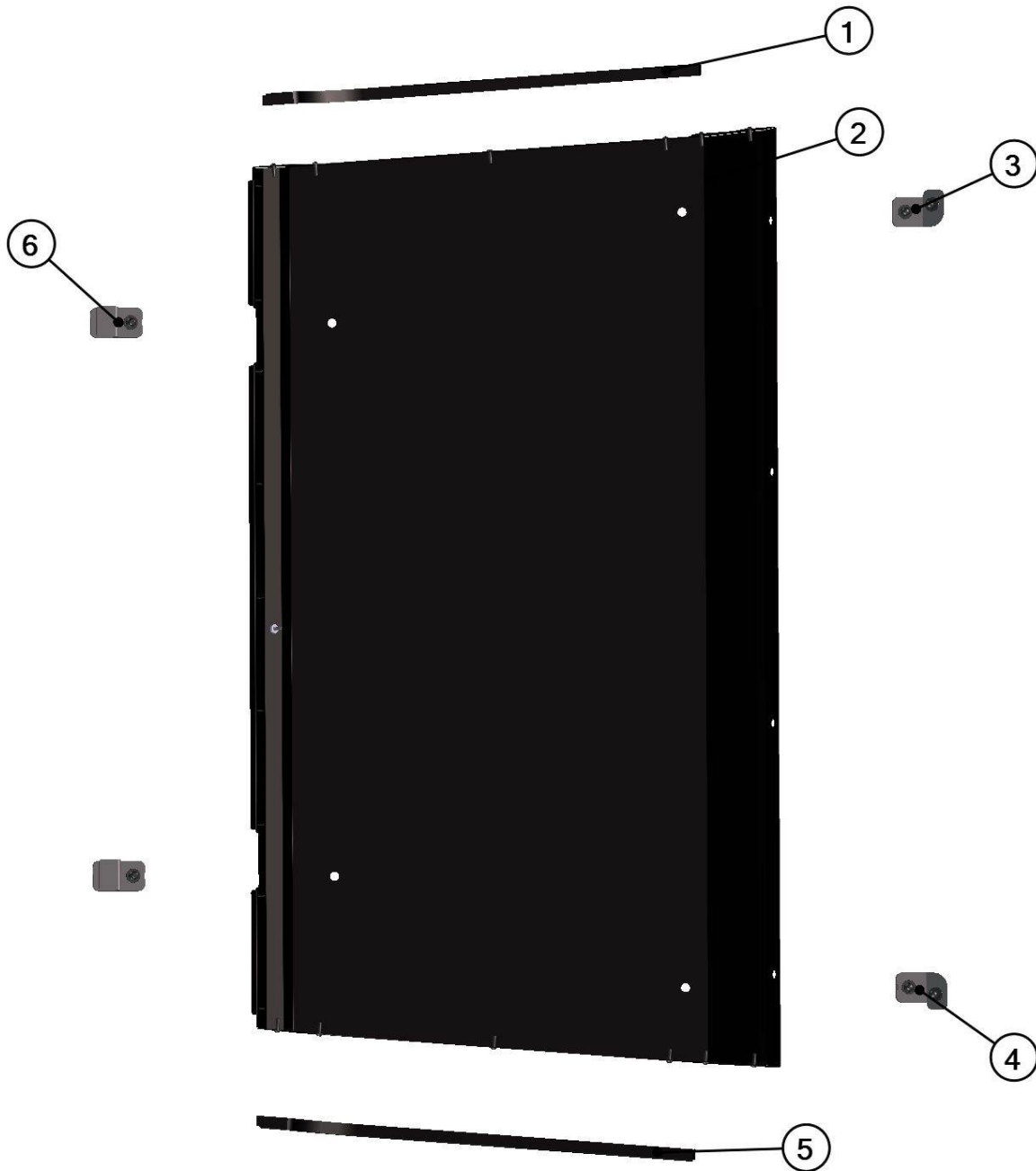
POLARIS
RANGER 800 XP PROTECTOR



ROOF PANEL



FOR ALL TECHNICAL QUESTIONS, PLEASE CALL
DFK AMERICA INC.
(630) 324-8585, OPTION 3

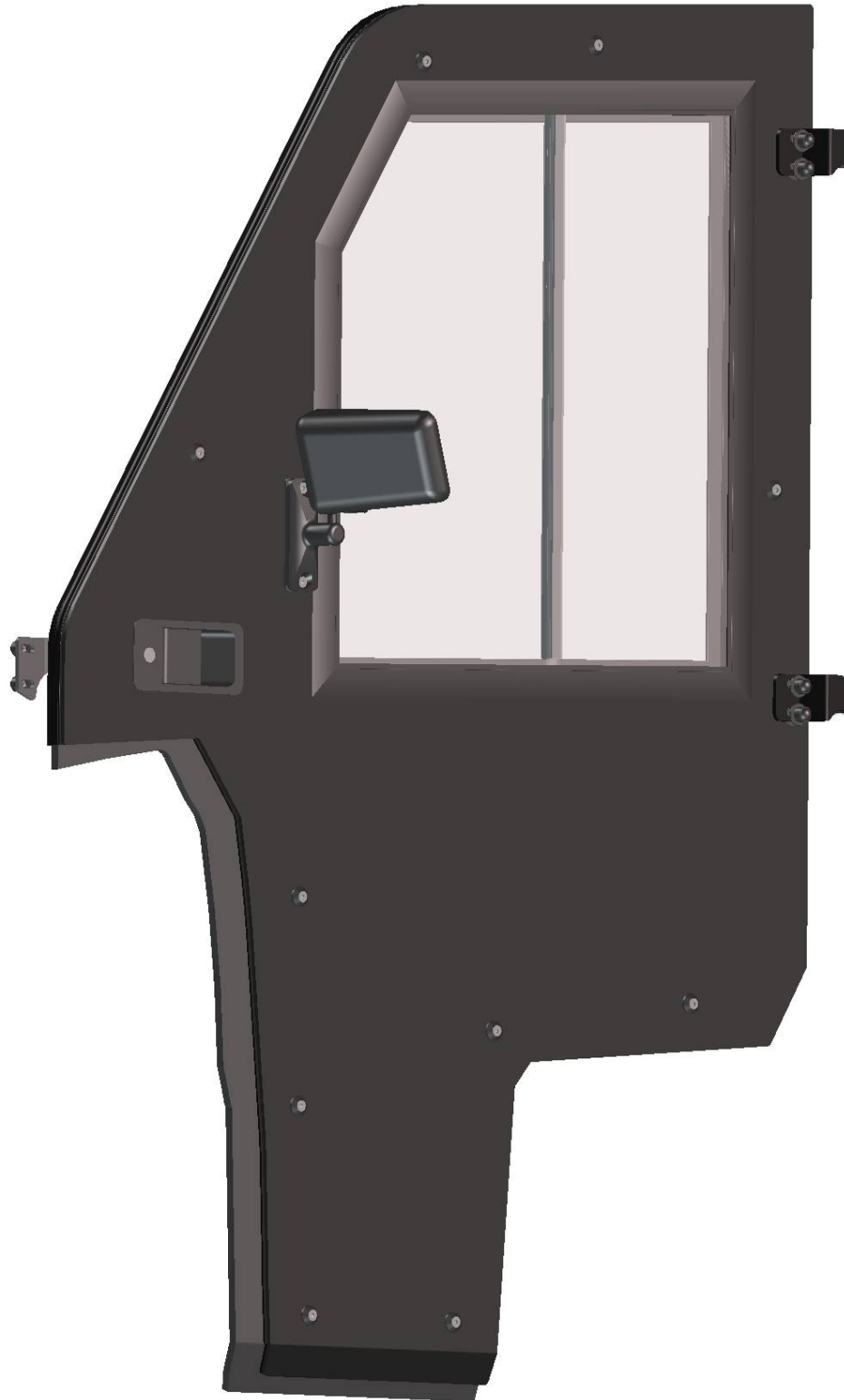


9

Id	Catalogue no.	Description	Qty
1	32S01U02-30W001	LEFT ROOF LEDGE WELDED	1
2	32S01U02-30-001	ROOF PANEL	1
3	32S01U02-30M002	LEFT REAR ROOF HOLDER ASSEMBLY	1
4	32S01U02-30M003	RIGHT REAR ROOF HOLDER ASSEMBLY	1
5	32S01U02-30W004	RIGHT ROOF LEDGE WELDED	1
6	32S01U05-30M001	FRONT ROOF HOLDER ASSEMBLY	2

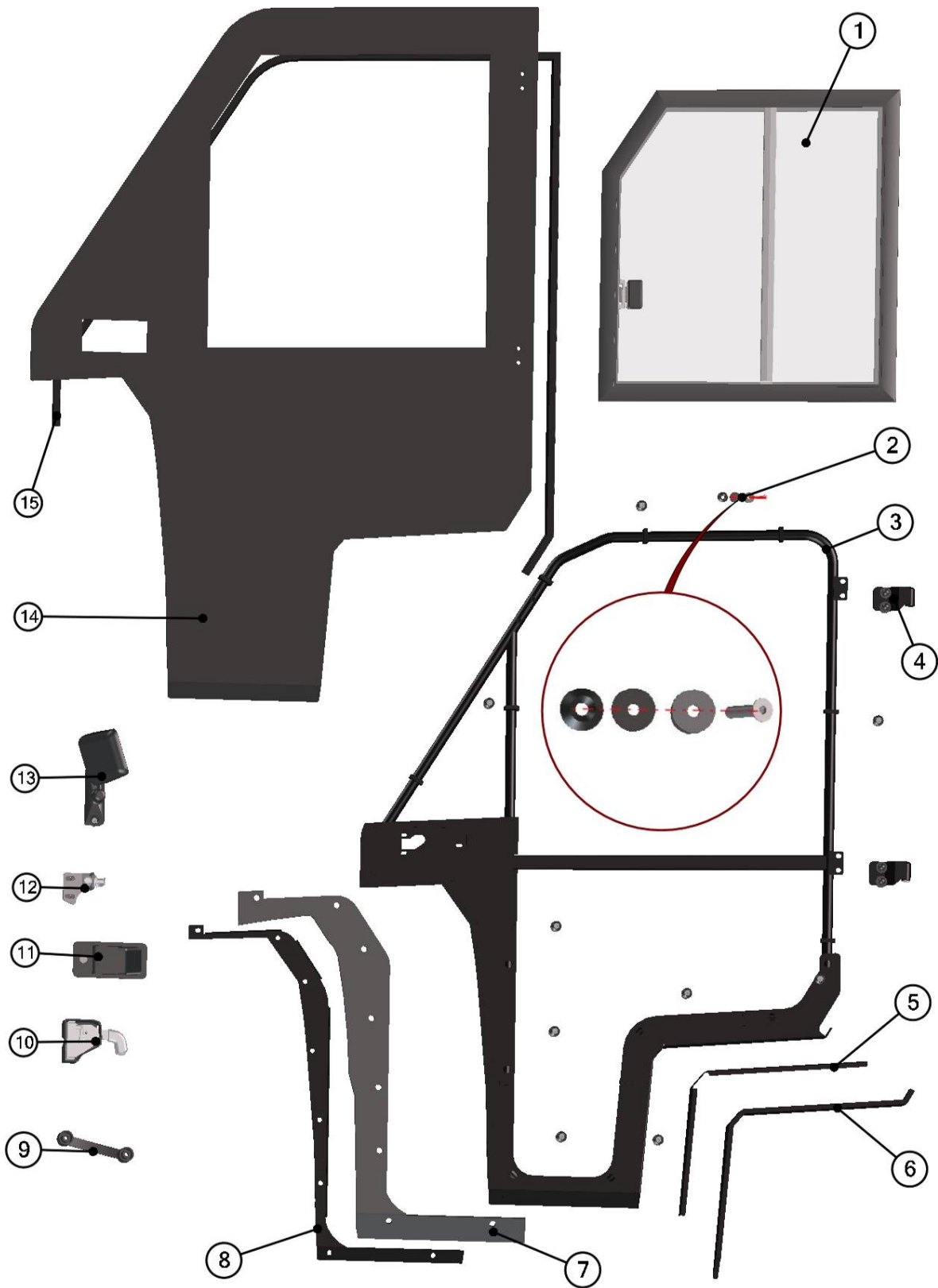
FOR ALL TECHNICAL QUESTIONS, PLEASE CALL
DFK AMERICA INC.
(630) 324-8585, OPTION 3

DOOR LEFT+DOOR RIGHT



10

FOR ALL TECHNICAL QUESTIONS, PLEASE CALL
DFK AMERICA INC.
(630) 324-8585, OPTION 3



11

FOR ALL TECHNICAL QUESTIONS, PLEASE CALL
DFK AMERICA INC.
(630) 324-8585, OPTION 3



LEFT DOOR TABLE

Id	Catalogue no.	Description	Qty
1	32S01R01-40M002	LEFT WINDOW ASSEMBLY	1
2	00-40M001	ABS FIXING ASSEMBLY	10
3	32S01U02-50W001	LEFT DOOR FRAME WELDED	1
4	00-105U-W006	LEFT DOOR HINGE	2
5	32S01U02-40-027	LEFT DOOR SEALING LEDGE 2	1
6	32S01U02-40-025	LEFT DOOR SEALING EPDM 2	1
7	32S01U02-50-004	DOOR SEALING EPDM	1
8	32S01U02-40-018	LEFT DOOR SEALING LEDGE 1	1
9	00-40M018	DOOR HANDLE ASSEMBLY	1
10	00-40M019	LEFT INNER DOOR LOCK	1
11	000841	OUTER DOOR LOCK	1
12	32S03U01-40M005	LEFT DOOR STOP ASSEMBLY	1
13	00-109U-M001	LEFT DOOR MIRROR	1
14	32S01R01-40-001	LEFT DOOR ABS	1
15	32S01U02-40-035	RUBBER PROFILE "SARAZIN SIDE"	1

RIGHT DOOR TABLE

Id	Catalogue no.	Description	Qty
1	32S01R01-50M001	RIGHT WINDOW ASSEMBLY	1
2	00-40M001	ABS FIXING ASSEMBLY	10
3	32S01U02-40W001	RIGHT DOOR FRAME WELDED	1
4	00-105U-W006	RIGHT DOOR HINGE	2
5	32S01U02-50-027	RIGHT DOOR SEALING LEDGE 2	1
6	32S01U02-50-025	RIGHT DOOR SEALING EPDM 2	1
7	32S01U02-50-004	DOOR SEALING EPDM	1
8	32S01U02-50-018	RIGHT DOOR SEALING LEDGE 1	1
9	00-40M018	DOOR HANDLE ASSEMBLY	1
10	00-50M019	RIGHT INNER DOOR LOCK	1
11	000841	OUTER DOOR LOCK	1
12	32S03U01-40M005	RIGHT DOOR STOP ASSEMBLY	1
13	00-109U-M001	RIGHT DOOR MIRROR	1
14	32S01R01-50-001	RIGHT DOOR ABS	1
15	32S01U02-40-035	RUBBER PROFILE "SARAZIN SIDE"	1




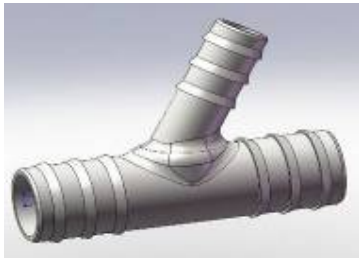
ELECTROINSTALLATION

The cabin can be supplied with 2 different types of heaters – Type “A” and type “B”.

Position	Catalogue no.	Description	Qty
1A	002344	HEAT 12V „A“	1
1B	002346	HEAT 12V „B“	1
2	000968	SWITCH – WIPER/WASHER/OFF	1
3	001576	WASHER MOTOR	1
4	002875	FUSE BOX	3
5	000885	WASHER COMPLETE	1
6	002764	WIPERMOTOR 12V	1
7	32S01U02-01M001	CABLE HARNESS - WIPER, WASHER	1
8A	32S01U02-02M001	CABLE HARNESS – HEAT „A“	1
8B	32S03U01-02M003	CABLE HARNESS – HEAT „B“	1
9	00-01-001	WASHER COMPLET HOLDER	1
10A	32S01U02-02W001	HEAT HOLDER „A“	1
10B	32S03U01-02M002	HEAT HOLDER „B“	1
11	002502	Y COUPLING	1
12	002524	TIGHTENING STRAP	6
13	002386	ELECTRIC VENT	1
14	002348	SCREW RIVETS	3
15A	32S01U02-02W002	BOTTOM PART OF HEATER HOLDER „A“	1
15B	-----	DOES NOT EXIST „B“	0
16	002391	ELECTRIC VENT SWITCH	1
17	002491	AIR VENT VALVE	1
18	002517	HEATER TUBE (DIESEL)	1
19	32S01U02-02M005	FLANGE (PETROL)	1
20	002495	SEAL FOR FLANGE (PETROL)	1
21	002368	NIPPLE (PETROL)	1

SEE PICTURES ON NEXT PAGES

		
<p>Position : 1A Catalogue no.: 002344</p>	<p>Position : 1B Catalogue no.: 002346</p>	<p>Position : 2 Catalogue no.: 000968</p>
		
<p>Position : 3 Catalogue no.: 001576</p>	<p>Position : 4 Catalogue no.: 002875</p>	<p>Position : 5 Catalogue no.: 000885</p>
		
<p>Position : 6 Catalogue no.: 002764</p>	<p>Position : 7 Catalogue no.: 32S01U02-01M001</p>	<p>Position : 8A Catalogue no.: 32S01U02-02M001</p>

		
<p>Position : 8B Catalogue no.: 32S03U01-02M003</p>	<p>Position : 9 Catalogue no.:00-01-001</p>	<p>Position : 10A Catalogue no.: 32S01U02-02W001</p>
		
<p>Position : 10B Catalogue no.: 32S03U01-02M002</p>	<p>Position : 11 Catalogue no.: 002502</p>	<p>Position : 12 Catalogue no.: 002524</p>
		
<p>Position : 13 Catalogue no.: 002386</p>	<p>Position : 14 Catalogue no.: 002348</p>	<p>Position : 15A Catalogue no.: 32S01U02-02W002</p>

		
<p>Position : 16 Catalogue no.: 002391</p>	<p>Position : 17 Catalogue no.: 002491</p>	<p>Position : 18 Catalogue no.: 002517</p>
		
<p>Position : 19 Catalogue no.: 32S01U02-02M005</p>	<p>Position : 20 Catalogue no.: 002495</p>	<p>Position : 21 Catalogue no.: 002368</p>