



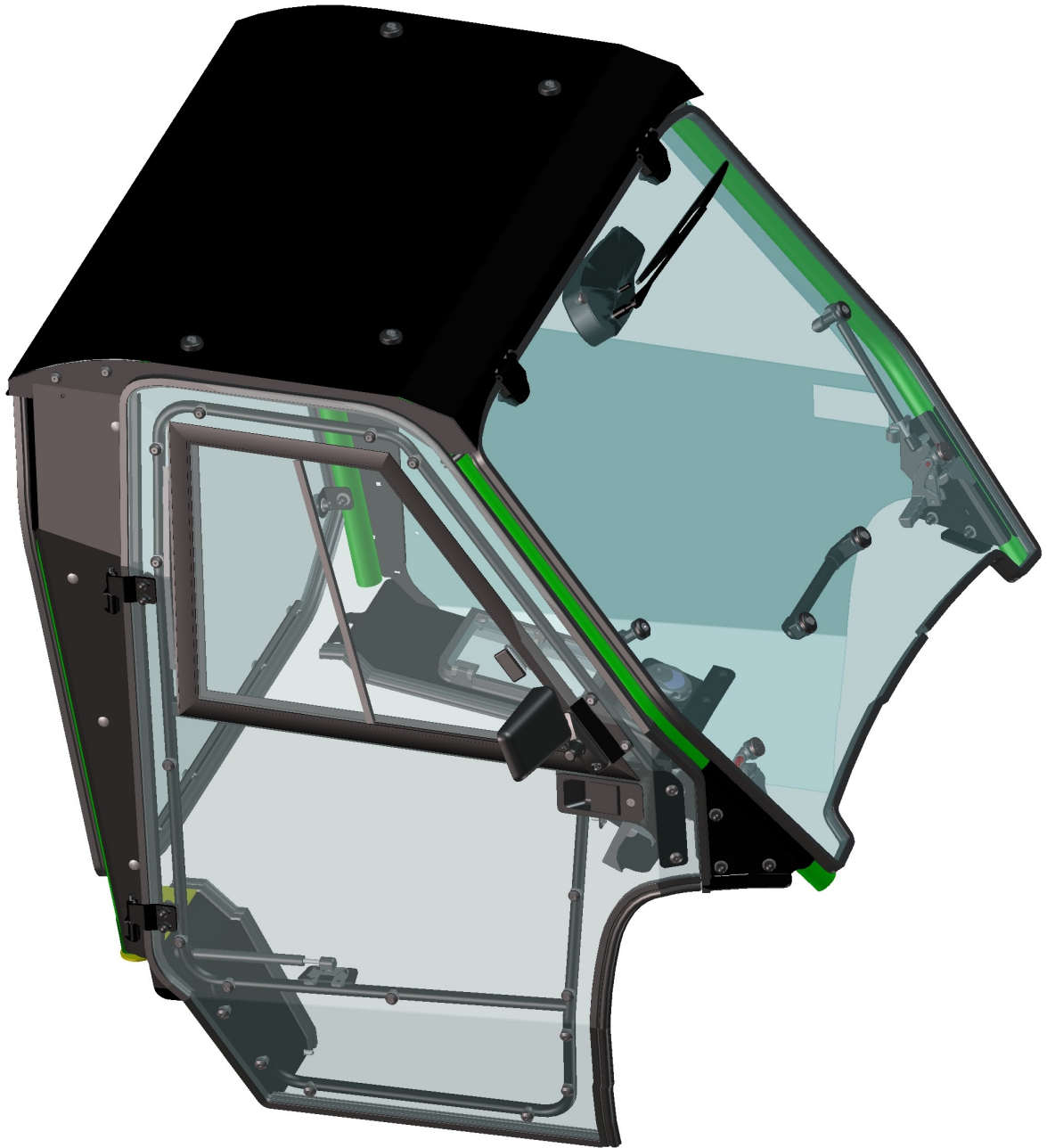
*SPARE - PARTS CATALOG*

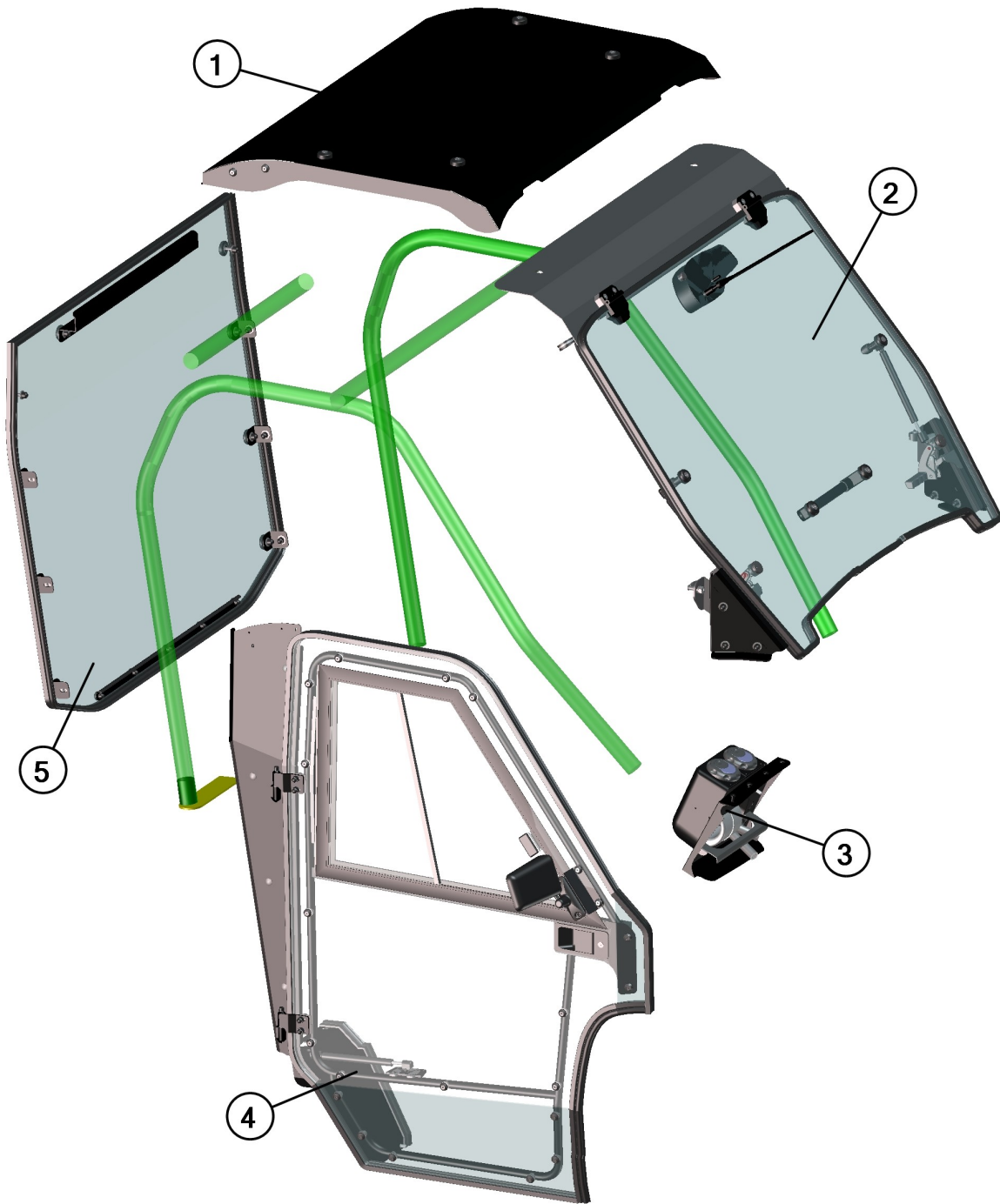
**JOHN DEERE**

**XUV 825i**

*HardCabs* →

CAB PREVIEW



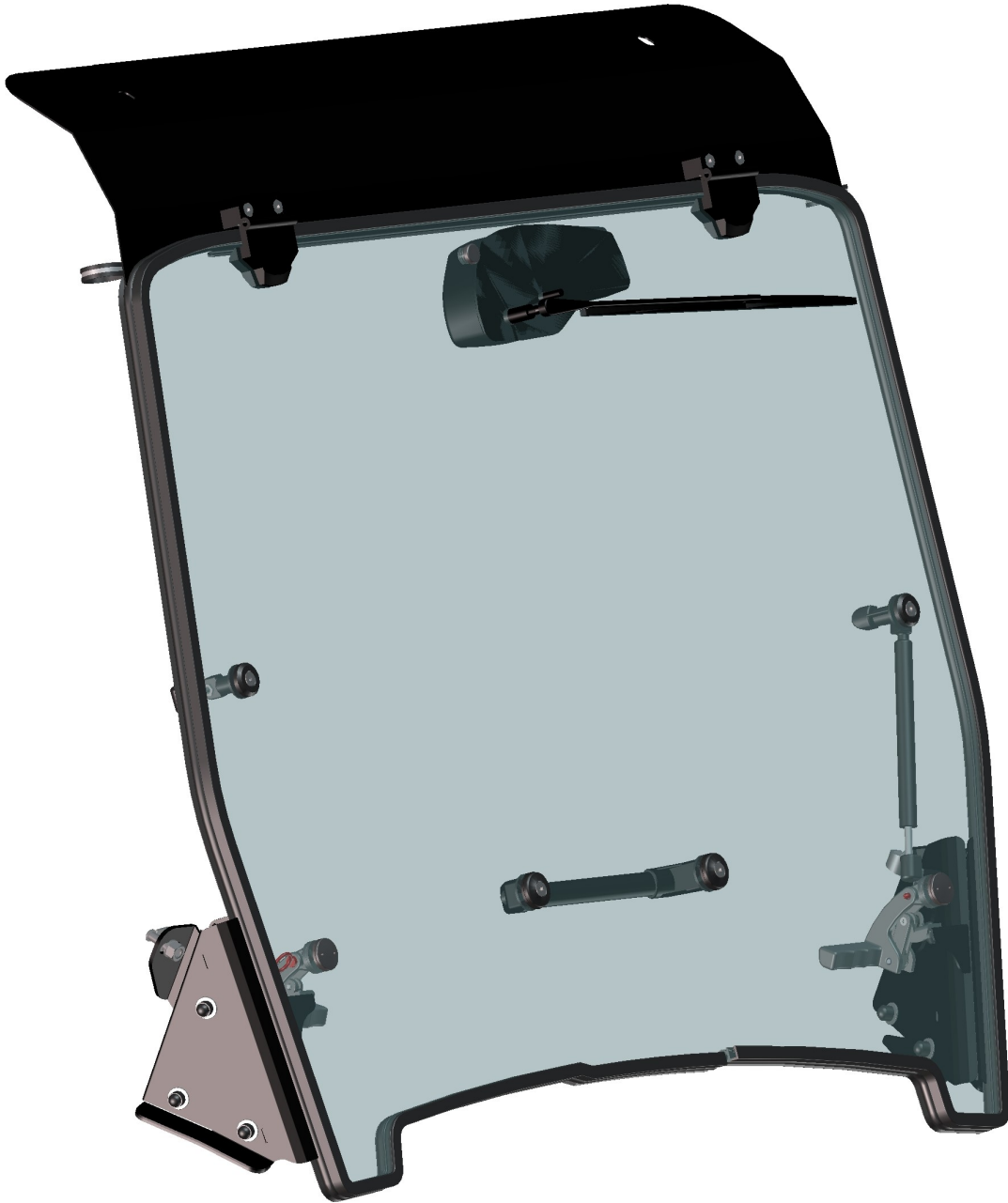


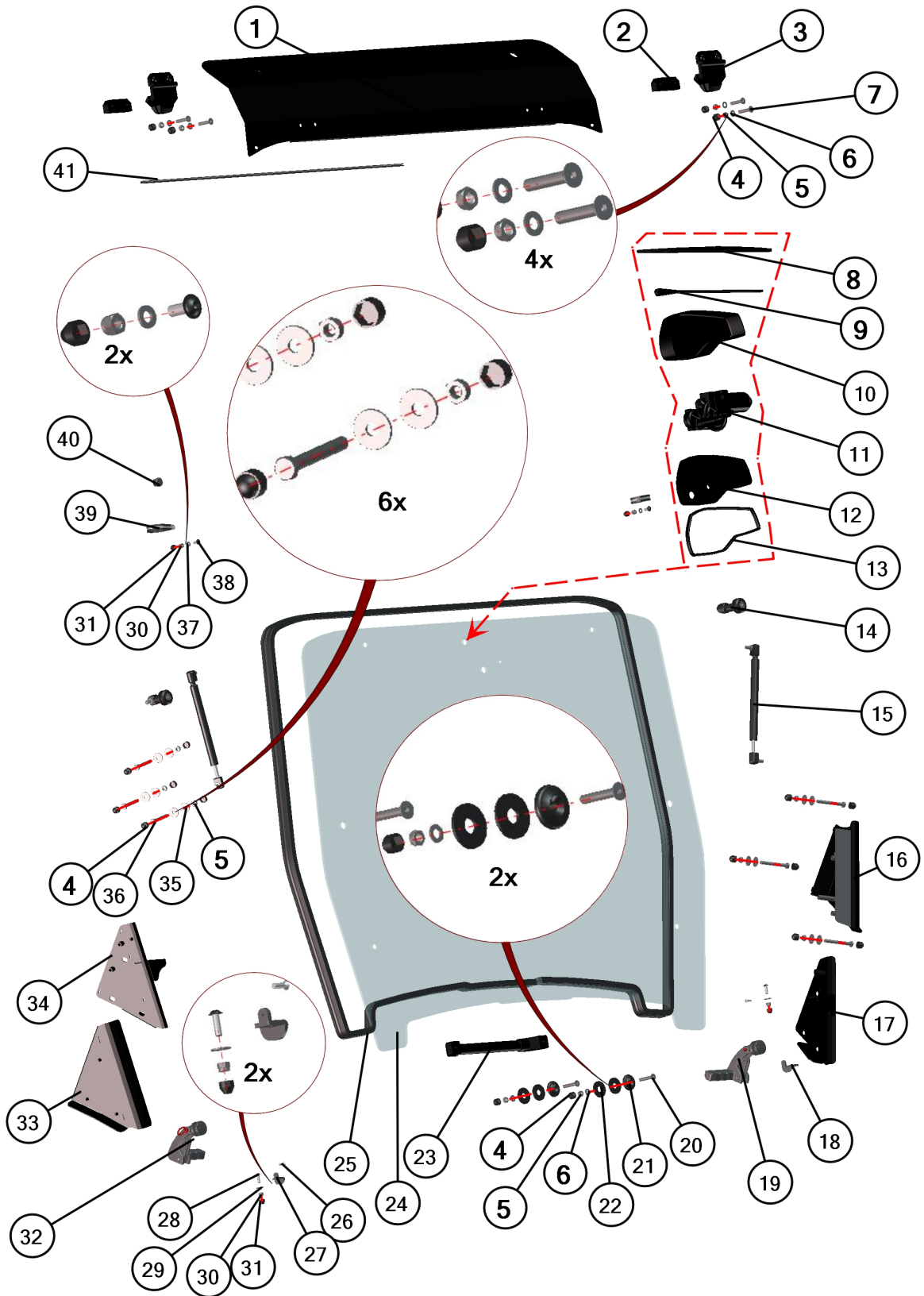
3

Position	Catalogue no.	Description	Qty
1	57S01U01S30	ROOF	1
2	57S01U01S10	FRONT PANEL	1
3	57S01U01S02	HEATER ASSEMBLY	1
4	57S01U01S50	RIGHT DOOR	1
5	57S01U01S20	REAR PANEL	1
6	57S01U01S40	LEFT DOOR	1

FOR ALL TECHNICAL QUESTIONS, PLEASE CALL  
 DFK AMERICA INC.  
 (630) 324-8585

FRONT PANEL

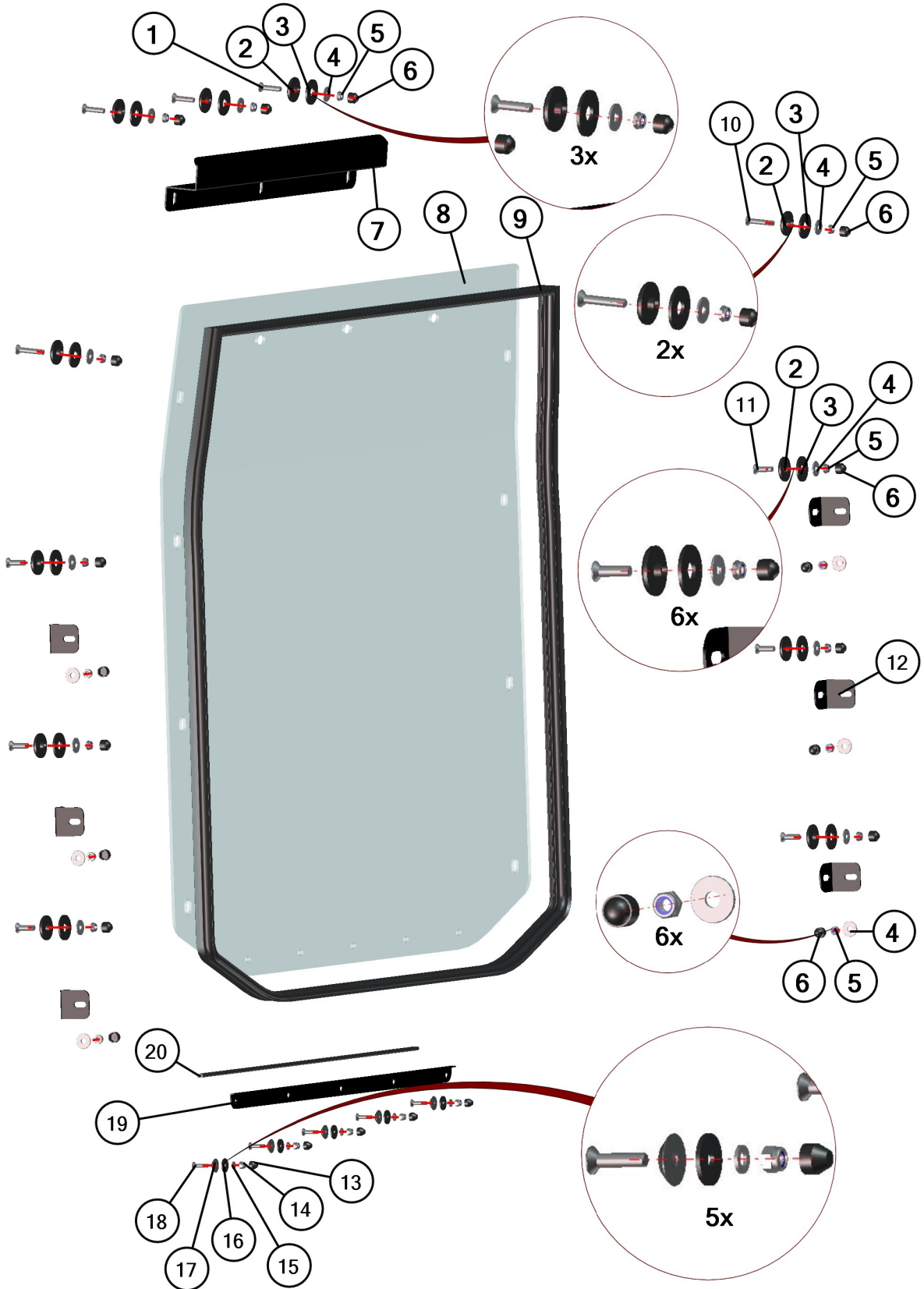




Position	Catalogue no.	Description	Qty
1	57S01U01-10-002	FRONT UPPER LEDGE	1
2	000863	HINGE BASE	2
3	000862	FRONT GLASS HINGE	2
4	001309	PLASTIC NUT COVER OK13	17
5	001388	SELF-LOCKING NUT M8	12
6	001387	WASHER 8	6
7	002607	SCREW M8x40	4
8	001765	WIPER LATH	1
9	001764	WIPER ARM	1
10	001722	WIPER MOTOR COVER	1
11	002764	WIPER MOTOR 12V	1
12	00-025E02	WIPER MOTOR LEDGE	1
13	001001^00-10M005	RUBBER PROFILE "LEMOVKA"	1
14	001693	GAS SPRING HOLDER	2
15	000865	GAS SPRING	2
16	57S01U01-10W003	LEFT OUTER CORNER WELDED	1
17	57S01U01-10W004	LEFT INNER CORNER WELDED	1
18	32S04U02-10-008	LEFT GLASS LOCK HOLDER	1
19	002640	LEFT GLASS LOCK	1
20	001694	SCREW M8x45	2
21	001429	PLASTIC WASHER 8	2
22	001428	RUBBER WASHER 8	4
23	002709	HANDLE	1
24	57S01U01-10-001	FRONT GLASS	1
25	001012^57S01U01-10M003	RUBBER PROFIL "PIRELA GLASS"	1
26	002342	SCREW M5x16	1
27	32S04U02-10-009	RIGHT GLASS LOCK HOLDER	1
28	001723	SCREW M6x20	2
29	001337	WASHER 6 LARGE	2
30	001392	SELF-LOCKING NUT M6	4
31	001348	PLASTIC NUT COVER OK10	4
32	002641	RIGHT GLASS LOCK	1
33	57S01U01-10W001	RIGHT OUTER CORNER WELDED	1
34	57S01U01-10W002	RIGHT INNER CORNER WELDED	1
35	001407	WASHER 8 LARGE	12
36	002310	SCREW M8x70	6
37	001426	WASHER 6	2
38	002971	SCREW M6x15	2
39	002488	TIGHTENING RING	2
40	001560	BUSHING	1
41	001001^57S01U01-10M002	RUBBER PROFILE "LEMOVKA"	1

REAR PANEL







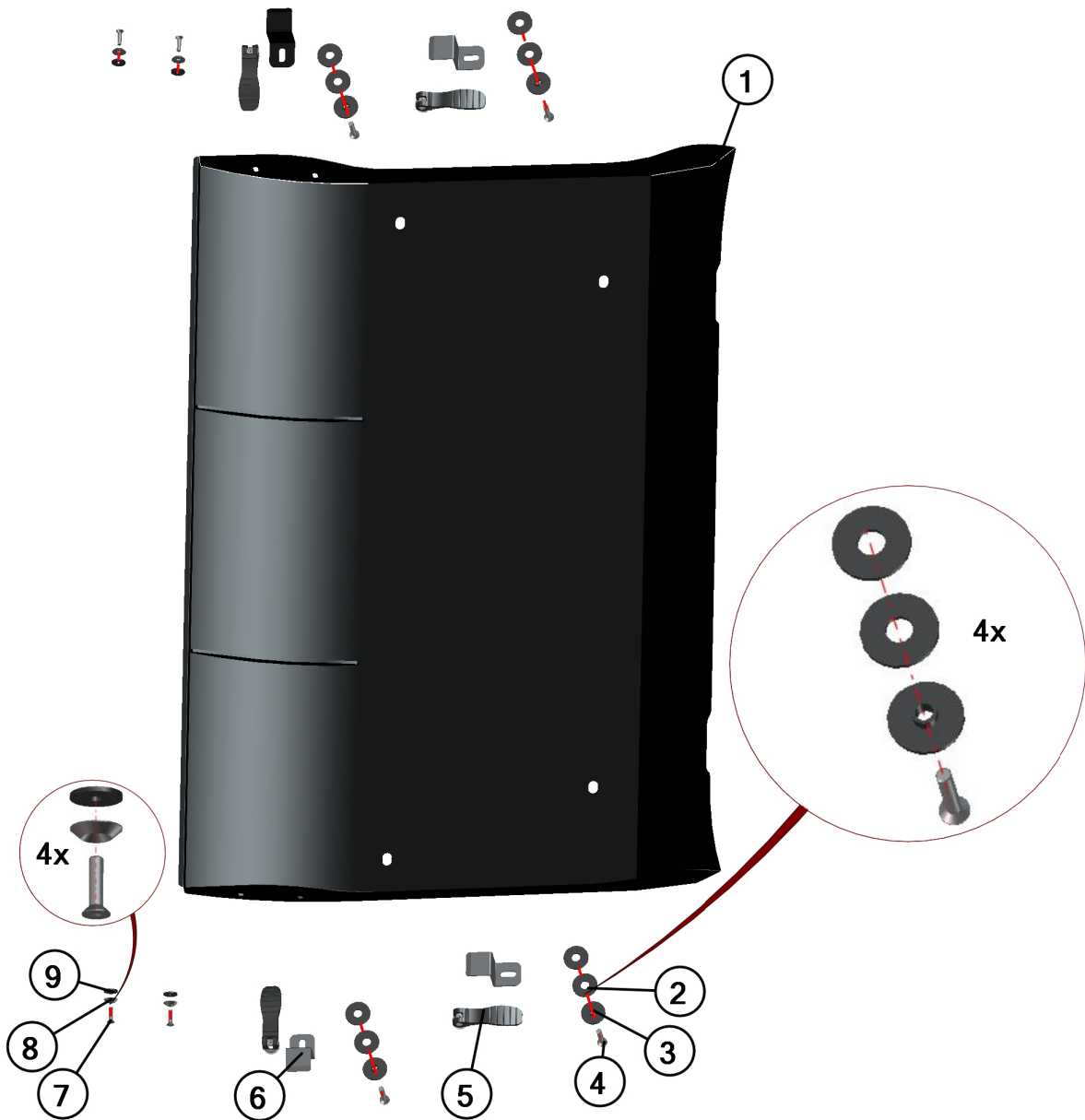
Position	Catalogue no.	Description	Qty
1	001760	SCREW M8x35	3
2	001429	PLASTIC WASHER 8	11
3	001428	RUBBER WASHER 8	11
4	001407	WASHER 8 LARGE	17
5	001388	SELF-LOCKING NUT M8	16
6	001309	PLASTIC NUT COVER OK13	17
7	57S01U01-20-002	REAR UPPER LEDGE	1
8	57S01U01-20-001	REAR WINDOW POLY	1
9	001012^57S01U01-20M001	RUBBER PROFILE "PIRELA GLASS"	1
10	001694	SCREW M8x45	2
11	002121	SCREW M8x30	6
12	57S01U01-20-004	REAR WINDOW HOLDER	5
13	001348	PLASTIC NUT COVER OK10	5
14	001392	SELF-LOCKING NUT M6	5
15	001426	WASHER 6	5
16	001735	RUBBER WASHER 6	5
17	001715	PLASTIC WASHER 6	5
18	002120	SCREW M6x25	5
19	57S01U01-20-003	REAR BOTTOM LEDGE	1
20	001001^57S01U01-20M003	RUBBER PROFILE "LEMOVKA"	1

ROOF



10

FOR ALL TECHNICAL QUESTIONS, PLEASE CALL  
DFK AMERICA INC.  
(630) 324-8585



Position	Catalogue no.	Description	Qty
1	57S01U01-30W001	ROOF PANEL WELDED	1
2	001428	RUBBER WASHER 8	8
3	001429	PLASTIC WASHER 8	4
4	001694	SCREW M8x45	4
5	002740	FAST-LOCK HANDLE	4
6	00-101U-004	ROOF HOLDER	4
7	002120	SCREW M6x25	4
8	001715	PLASTIC WASHER 6	4
9	001735	RUBBER WASHER 6	4

LEFT DOOR + RIGHT DOOR



12

FOR ALL TECHNICAL QUESTIONS, PLEASE CALL  
DFK AMERICA INC.  
(630) 324-8585



13

LEFT TABLE

Position	Catalogue no.	Description	Qty
1	57S01U01-40M011	LEFT DOOR BASE	1
2	57S01U01-40M001	LEFT BOTTOM COVER	1
3	57S01U01-40M003	LEFT DOOR	1

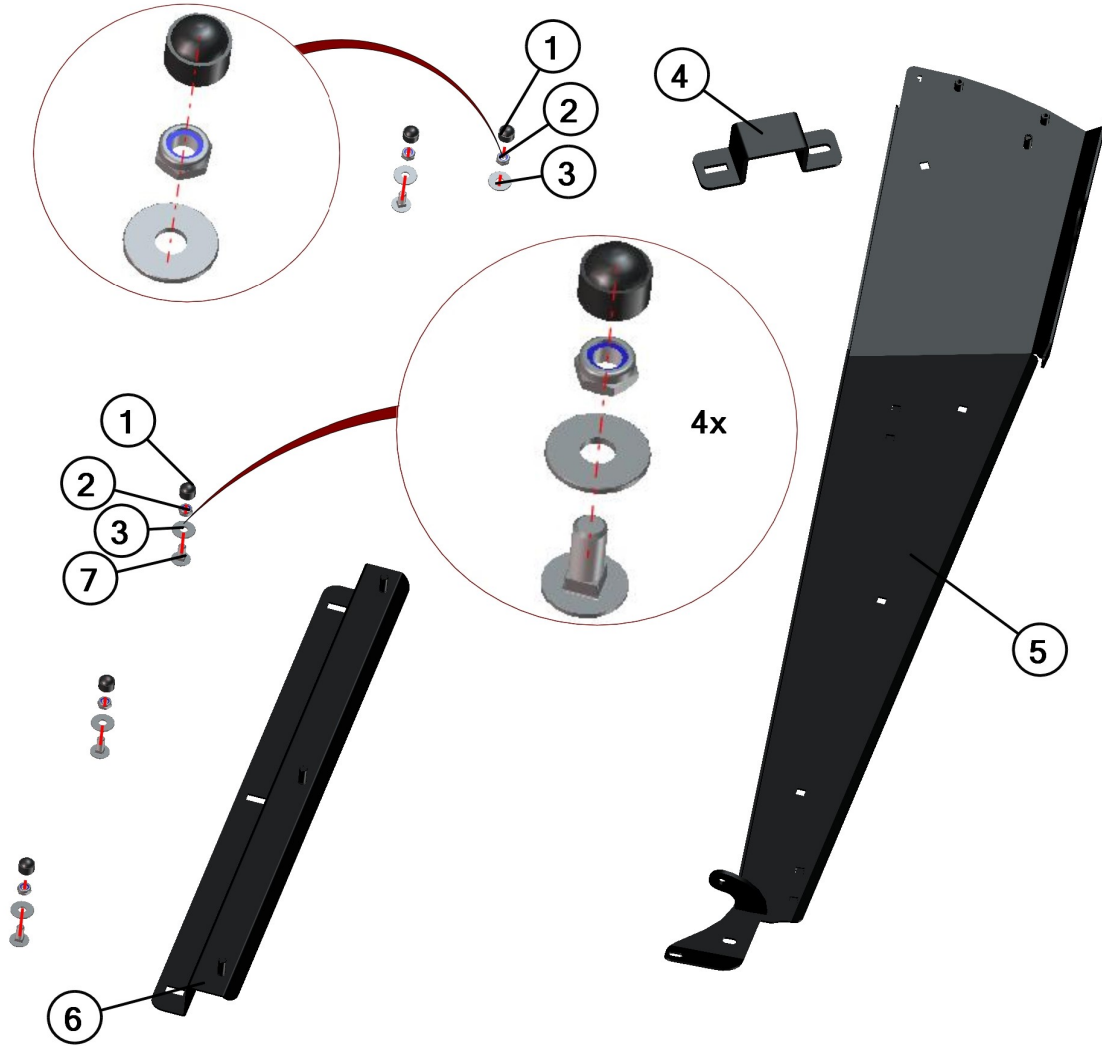
RIGHT TABLE

Position	Catalogue no.	Description	Qty
2	57S01U01-50M001	RIGHT BOTTOM COVER	1
3	57S01U01-50M003	RIGHT DOOR	1
1	57S01U01-50M011	RIGHT DOOR BASE	1

FOR ALL TECHNICAL QUESTIONS, PLEASE CALL  
 DFK AMERICA INC.  
 (630) 324-8585

DOOR BASE





LEFT TABLE

Position	Catalogue no.	Description	Qty
1	001309	PLASTIC NUT COVER OK13	5
2	001388	SELF-LOCKING NUT M8	5
3	001407	WASHER 8 LARGE	5
4	57S01U01-50-007	DOOR BASE UPPER HOLDER	1
5	57S01U01-40W001	LEFT DOOR BASE	1
6	57S01U01-50W002	DOOR BASE HOLDER	1
7	002575	SCREW M8x20	4

RIGHT TABLE

Position	Catalogue no.	Description	Qty
1	001309	PLASTIC NUT COVER OK13	5
2	001388	SELF-LOCKING NUT M8	5
3	001407	WASHER 8 LARGE	5
4	57S01U01-50-007	DOOR BASE UPPER HOLDER	1
5	57S01U01-50W001	RIGHT DOOR BASE	1
6	57S01U01-50W002	DOOR BASE HOLDER	1
7	002575	SCREW M8x20	4

FOR ALL TECHNICAL QUESTIONS, PLEASE CALL  
 DFK AMERICA INC.  
 (630) 324-8585

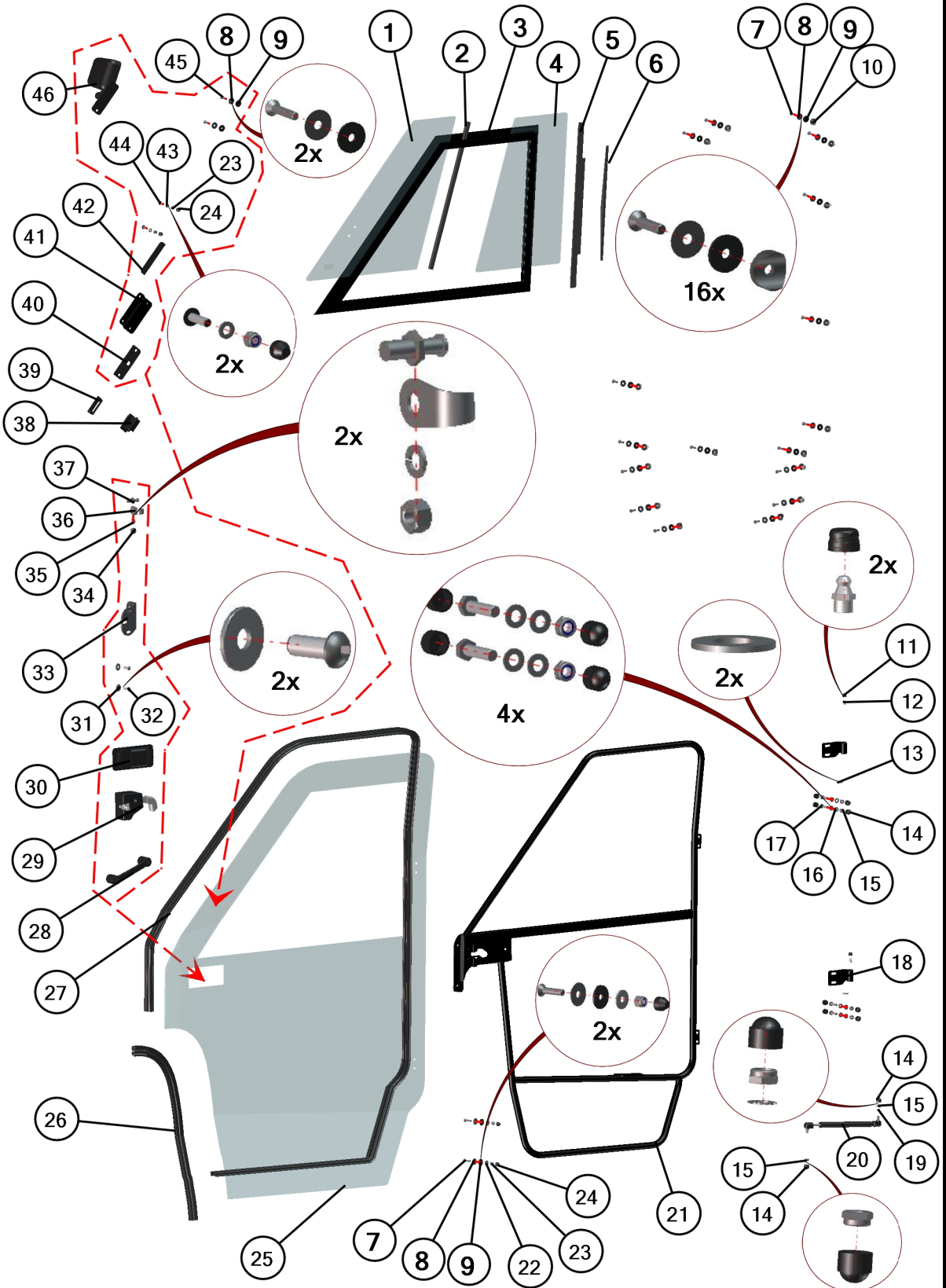
DOOR ASSEMBLY



16

FOR ALL TECHNICAL QUESTIONS, PLEASE CALL  
DFK AMERICA INC.  
(630) 324-8585





FOR ALL TECHNICAL QUESTIONS, PLEASE CALL  
DFK AMERICA INC.  
(630) 324-8585

LEFT TABLE

Position	Catalogue no.	Description	Qty
1	57S01U01-50-022	DOOR GLASS MOVABLE	1
2	57S01U01-50-023	PROFILE AL "U 12x12"	1
3	57S01U01-40-015	LEFT WINDOW FRAME	1
4	57S01U01-50-021	DOOR GLASS SOLID	1
5	57S01U01-40-018	LEFT DOOR WINDOW LEDGE	1
6	57S01U01-50-019	DOOR WINDOW EPDM	1
7	002120	SCREW M6x25	18
8	001715	PLASTIC WASHER 6	21
9	001735	RUBBER WASHER 6	20
10	001736	SEAT WASHER 6	17
11	001431	LUBRICATOR COVER	2
12	001430	LUBRICATOR	2
13	001485	WASHER 10	2
14	001309	PLASIC NUT COVER OK13	10
15	001388	SELF-LOCKING NUT M8	6
16	001387	WASHER 8	8
17	001411	SCREW M8x30	4
18	57S01U01-40W005	LEFT DOOR HINGE	2
19	001489	SERRATED-LOCK WASHER 8	1
20	000865	GAS SPRING	1
21	57S01U01-40W003	LEFT DOOR FRAME WELDED	1
22	001337	WASHER 6 LARGE	2
23	001392	SELF-LOCKING NUT M6	4
24	001348	PLASTIC NUT COVER OK10	4
25	57S01U01-40-003	LEFT DOOR PANEL POLY	1
26	002658^57S01U01-50M003	RUBBER PROFILE "PIRELA G STRAIGHT"	1
27	002454^57S01U01-50M003	RUBBER PROFILE "SARAZIN SIDE"	1
28	001703	HANDLE	1
29	001743	LEFT INNER DOOR LOCK	1
30	000841	OUTER DOOR LOCK	1
31	001407	WASHER 8 LARGE	2
32	002745	SCREW M8x20	2
33	57S01U01-40-013	LEFT DOOR STOP HOLDER	1
34	000856	DOOR STOP NUT	1
35	000857	DOOR STOP WASHER	1
36	000855	DOOR STOP HOOK	1
37	000854	DOOR STOP PIN	1
38	001700	GLASS LOCK	1
39	001762	GLASS STOP	1
40	00-109U-001	MIRROR HOLDER BASE	1
41	00-109U-002	MIRROR HOLDER	1
42	001420^00-109U-M004	SEAL "PE 25x3"	1
43	001426	WASHER 6	2
44	001723	SCREW M6x20	2
45	001701	SCREW M6x30	2
46	002773	LEFT MIRROR	1

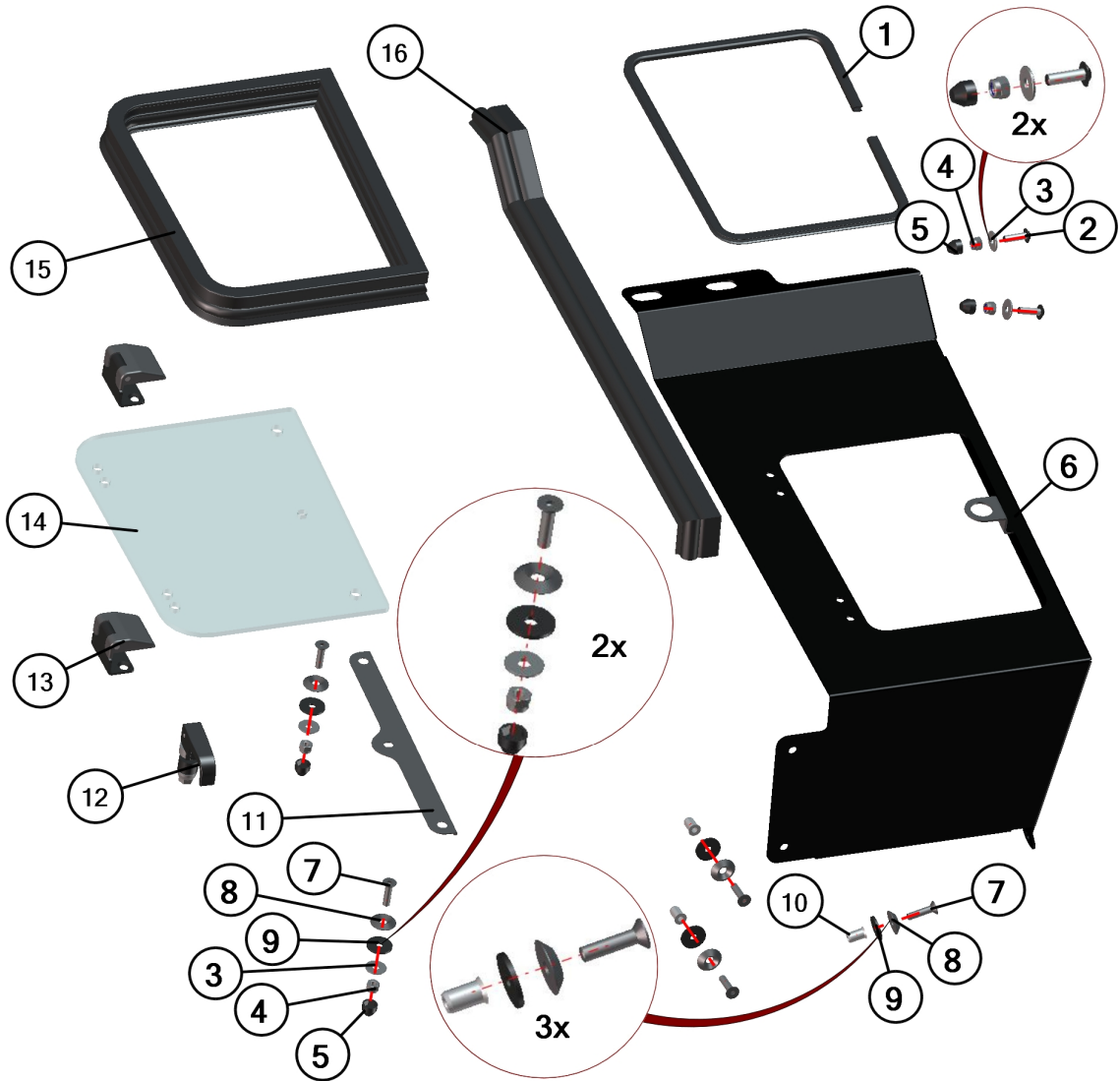
RIGHT TABLE

Position	Catalogue no.	Description	Qty
1	57S01U01-50-022	DOOR GLASS MOVABLE	1
2	57S01U01-50-023	PROFILE AL "U 12x12"	1
3	57S01U01-50-015	RIGHT WINDOW FRAME	1
4	57S01U01-50-021	DOOR GLASS SOLID	1
5	57S01U01-50-018	RIGHT DOOR WINDOW LEDGE	1
6	57S01U01-50-019	DOOR WINDOW EPDM	1
7	002120	SCREW M6x25	18
8	001715	PLASTIC WASHER 6	21
9	001735	RUBBER WASHER 6	20
10	001736	SEAT WASHER 6	17
11	001431	LUBRICATOR COVER	2
12	001430	LUBRICATOR	2
13	001485	WASHER 10	2
14	001309	PLASIC NUT COVER OK13	10
15	001388	SELF-LOCKING NUT M8	6
16	001387	WASHER 8	8
17	001411	SCREW M8x30	4
18	57S01U01-50W005	RIGHT DOOR HINGE	2
19	001489	SERRATED-LOCK WASHER 8	1
20	000865	GAS SPRING	1
21	57S01U01-50W003	RIGHT DOOR FRAME WELDED	1
22	001337	WASHER 6 LARGE	2
23	001392	SELF-LOCKING NUT M6	4
24	001348	PLASTIC NUT COVER OK10	4
25	57S01U01-50-003	RIGHT DOOR PANEL POLY	1
26	002658^57S01U01-50M003	RUBBER PROFILE "PIRELA G STRAIGHT"	1
27	002454^57S01U01-50M003	RUBBER PROFILE "SARAZIN SIDE"	1
28	001703	HANDLE	1
29	001744	RIGHT INNER DOOR LOCK	1
30	000841	OUTER DOOR LOCK	1
31	001407	WASHER 8 LARGE	2
32	002745	SCREW M8x20	2
33	57S01U01-50-013	RIGHT DOOR STOP HOLDER	1
34	000856	DOOR STOP NUT	1
35	000857	DOOR STOP WASHER	1
36	000855	DOOR STOP HOOK	1
37	000854	DOOR STOP PIN	1
38	001700	GLASS LOCK	1
39	001762	GLASS STOP	1
40	00-109U-001	MIRROR HOLDER BASE	1
41	00-109U-002	MIRROR HOLDER	1
42	001420^00-109U-M004	SEAL "PE 25x3"	1
43	001426	WASHER 6	2
44	001723	SCREW M6x20	2
45	001701	SCREW M6x30	2
46	002774	RIGHT MIRROR	1

DOOR BOTTOM COVER LEFT



20

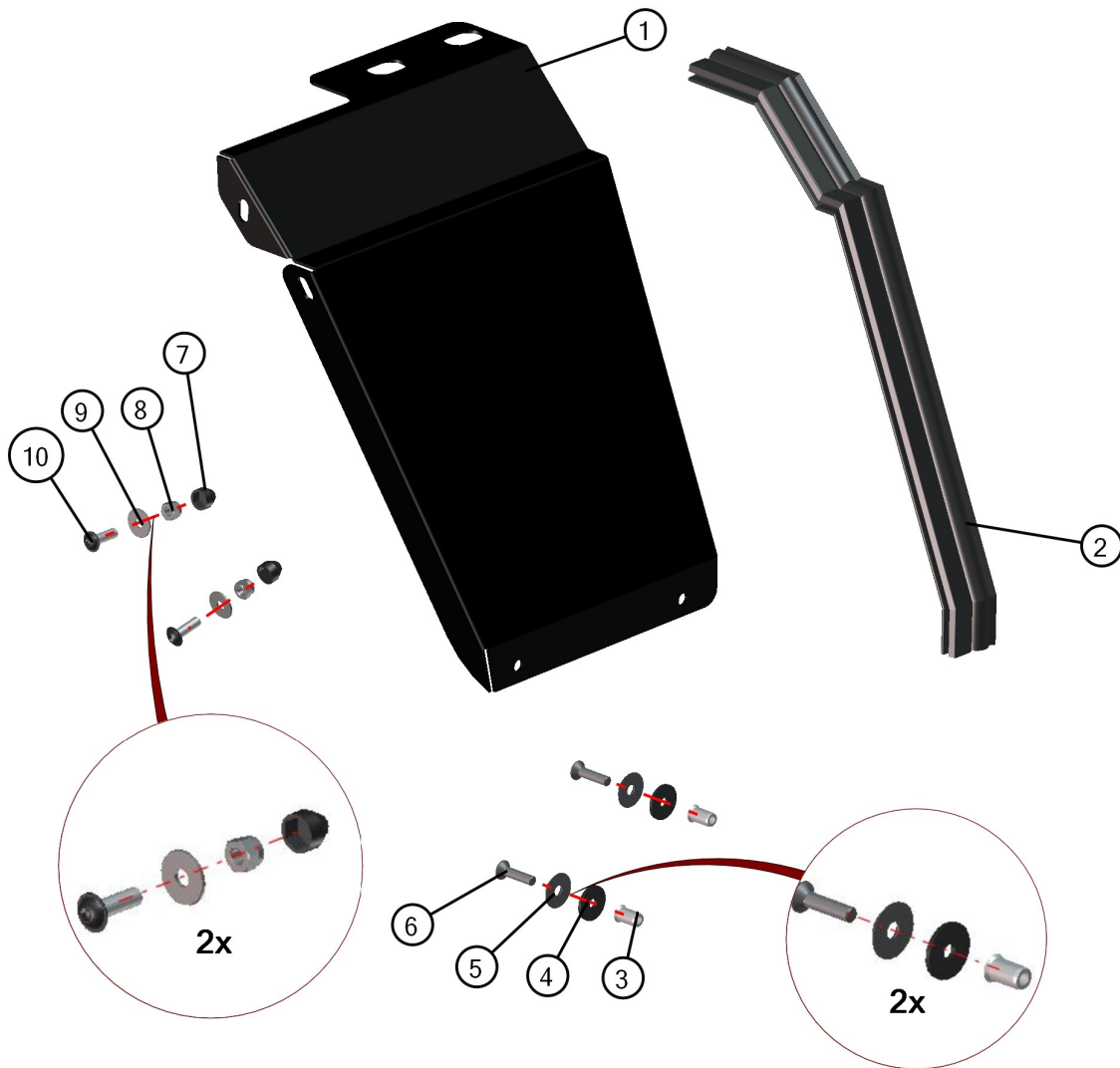


Position	Catalogue no.	Description	Qty
1	001001^57S01U01-40M001	RUBBER PROFILE "LEMOVKA"	1
2	001723	SCREW M6x20	2
3	001337	WASHER 6 LARGE	4
4	001392	SLEF-LOCKING NUT M8	4
5	001348	PLASTIC NUT COVER OK10	4
6	57S01U01-40W030	LEFT BOTTOM COVER WELDED	1
7	002120	SCREW M6x25	5
8	001715	PLASTIC WASHER 6	5
9	001735	RUBBER WASHER 6	5
10	001397	RIVET NUT M6	3
11	57S01U01-40-031	COVER WINDOW REINFORCEMENT	1
12	002332	FAST-LOCK SCREW	1
13	002562	WINDOW COVER HINGE	2
14	57S01U01-40-030	COVER WINDOW	1
15	002454^57S01U01-40M030	RUBBER PROFILE "SARAZIN SIDE"	1
16	001005^57S01U01-40M001	RUBBER PROFILE "PIRELA STRAIGHT"	1

FOR ALL TECHNICAL QUESTIONS, PLEASE CALL  
 DFK AMERICA INC.  
 (630) 324-8585

DOOR BOTTOM COVER RIGHT





Position	Catalogue no.	Description	Qty
1	57S01U01-50-001	RIGHT BOTTOM COVER LEDGE	1
2	001005^57S01U01-50M001	RUBBER PROFILE "PIRELA STRAIGHT"	1
3	001397	RIVET NUT M6	2
4	001735	RUBBER WASHER 6	2
5	001715	PLASTIC WASHER 6	2
6	002120	SCREW M6x25	2
7	001348	PLASTIC NUT COVER OK10	2
8	001392	SELF-LOCKING NUT M8	2
9	001337	WASHER 6 LARGE	2
10	001723	SCREW M6x20	2

FOR ALL TECHNICAL QUESTIONS, PLEASE CALL  
 DFK AMERICA INC.  
 (630) 324-8585

ELECTROINSTALLATION

	Catalogue no.	Description	Qti
1	002346	HEAT 12V	1
2	000968	SWITCH – WIPER/WASHER/OFF	1
3	001576	WASHER MOTOR	1
4	001652	FUSE BOX	2
5	000885	WASHER COMPLETE	1
6	002764	WIPERMOTOR 12V	1
7	58S01U01-01M001	CABLE HARNESS - WIPER, WASHER	1
8	58S01U01-02M002	CABLE HARNESS – HEAT	1
9	00-01-001	WASHER COMPLET HOLDER	1
10	57S01U01-02W001	HEAT HOLDER	1
11	002502	Y COUPLING	1
12	001367	TIGHTENING STRAP	6
13	002386	ELECTRIC VENT	1
14	002348	SCREW RIVETS	3
15	002391	ELECTRIC VENT SWITCH	1
16	002491	AIR VENT VALVE	1
17	002870	HEATER TUBE	1

SEE NEXT PAGES

FOR ALL TECHNICAL QUESTIONS, PLEASE CALL  
 DFK AMERICA INC.  
 (630) 324-8585





**Position : 1**

**Catalogue no.: 002346**



**Position : 2**

**Catalogue no.: 000968**



**Position : 3**

**Catalogue no.: 001576**



**Position : 4**

**Catalogue no.: 001652**



**Position : 5**

**Catalogue no.: 000885**



**Position : 6**

**Catalogue no.: 002764**



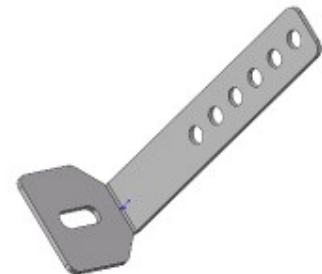
**Position : 7**

**Catalogue no.: 57S01U01-01M001**



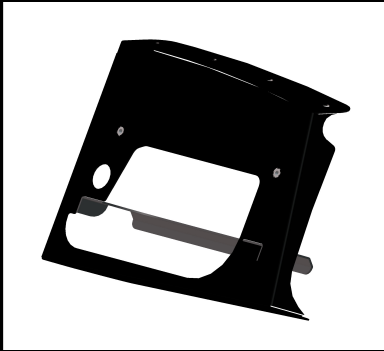
**Position : 8**

**Catalogue no.: 57S01U01-02M001**



**Position : 9**

**Catalogue no.:00-01-001**



**Position : 10**  
**Catalogue no.: 57S01U01-02W001**



**Position : 11**  
**Catalogue no.: 002502**



**Position : 12**  
**Catalogue no.: 001367**



**Position : 13**  
**Catalogue no.: 002386**



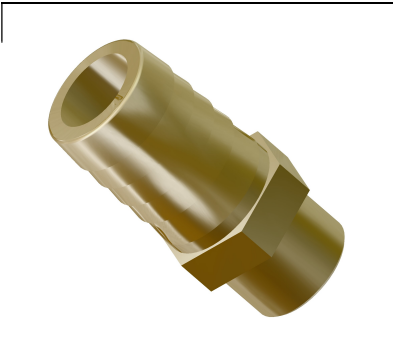
**Position : 14**  
**Catalogue no.: 002348**



**Position : 15**  
**Catalogue no.: 002391**



**Position : 16**  
**Catalogue no.: 002491**



**Position : 17**  
**Catalogue no.: 002870**

