



SPARE - PARTS CATALOG

HONDA

PIONEER 700-4 (2014)

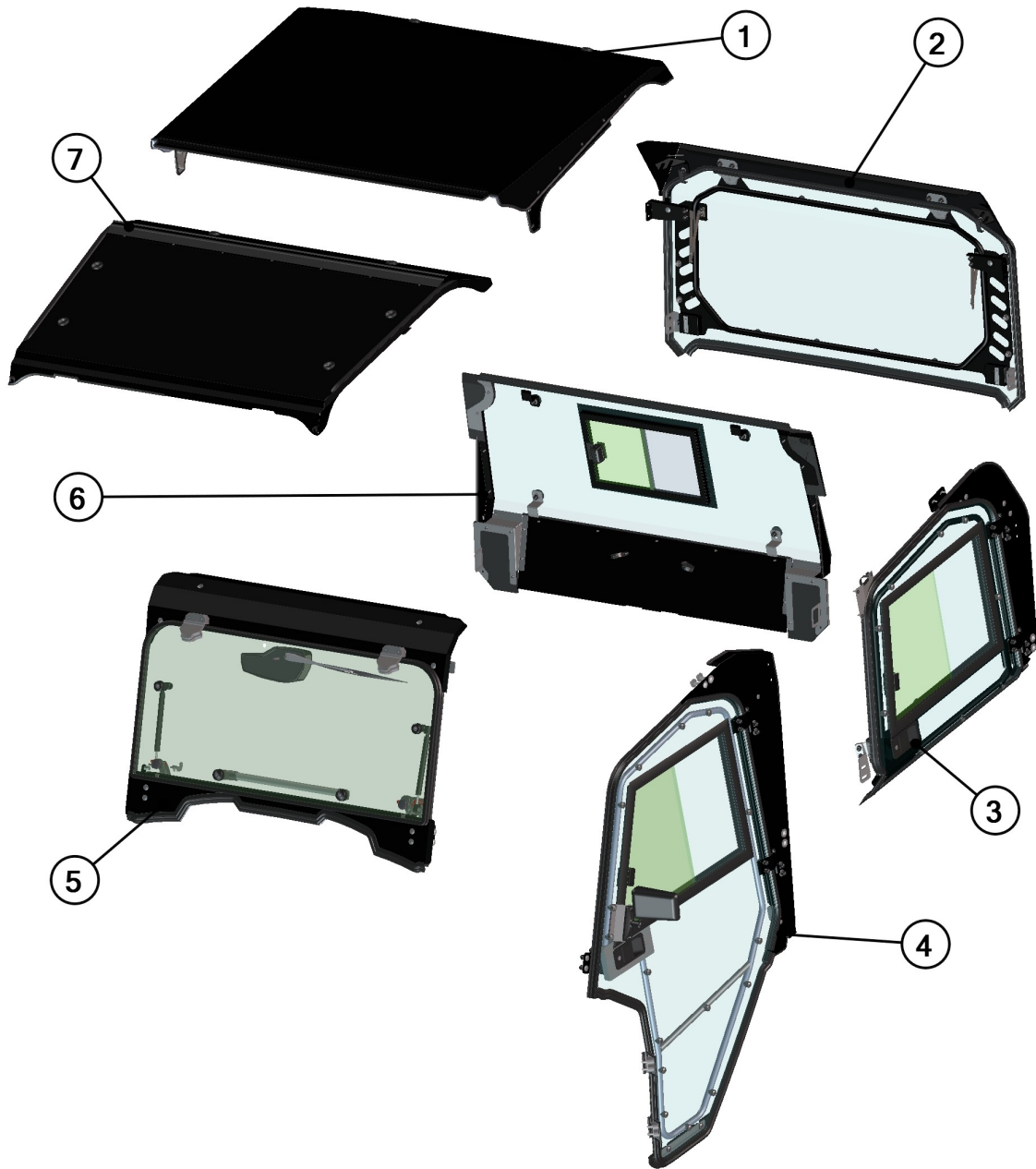
HardCabs →

CAB PREVIEW



2

FOR ALL TECHNICAL QUESTIONS, PLEASE CALL
DFK AMERICA INC.
(630) 324-8585

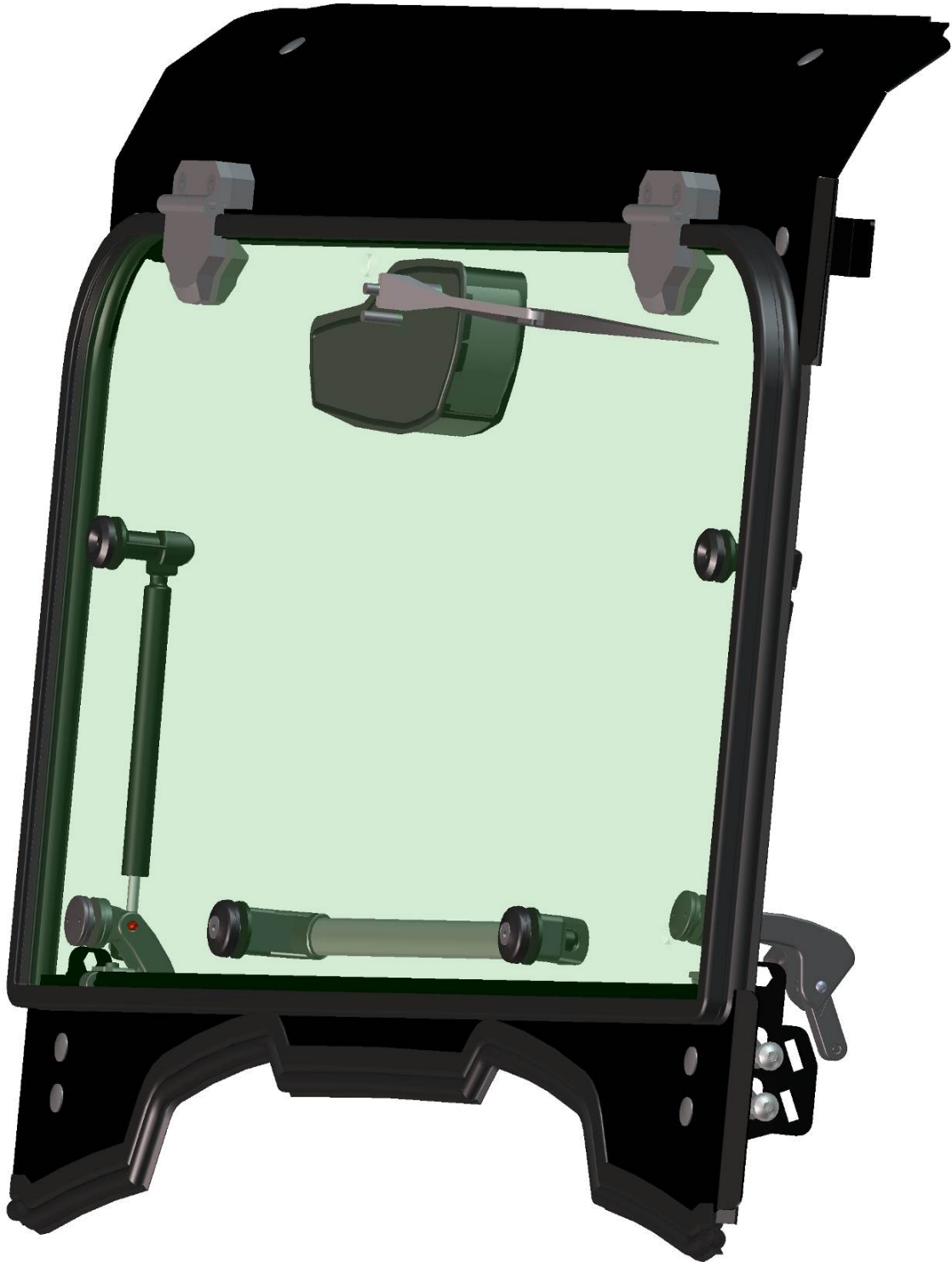


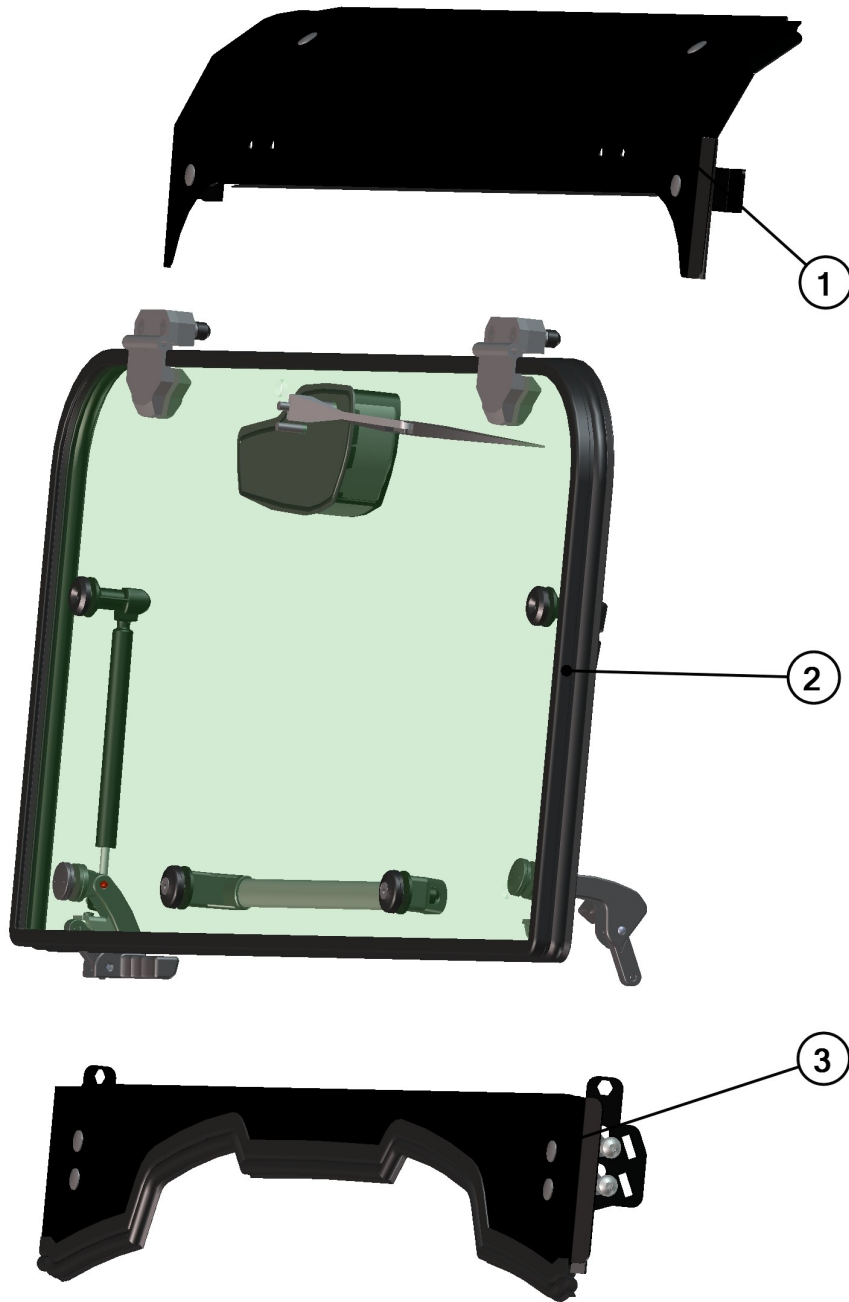
3

Position	Catalogue no.	Description	Qty
1	50S02U01S31	REAR ROOF	1
2	50S02U01S21	REAR PANEL MOVABLE	1
3	50S02U01S41	LEFT REAR DOOR	1
4	50S02U01S40	LEFT FRONT ROOF	1
5	50S02U01S10	FRONT PANEL MOVABLE	1
6	50S02U01S20	CENTRAL PANEL	1
7	50S02U01S30	FRONT ROOF	1
8	50S02U01S50	RIGHT FRONT DOOR	1
9	50S02U01S51	RIGHT REAR DOOR	1

FOR ALL TECHNICAL QUESTIONS, PLEASE CALL
 DFK AMERICA INC.
 (630) 324-8585

FRONT PANEL





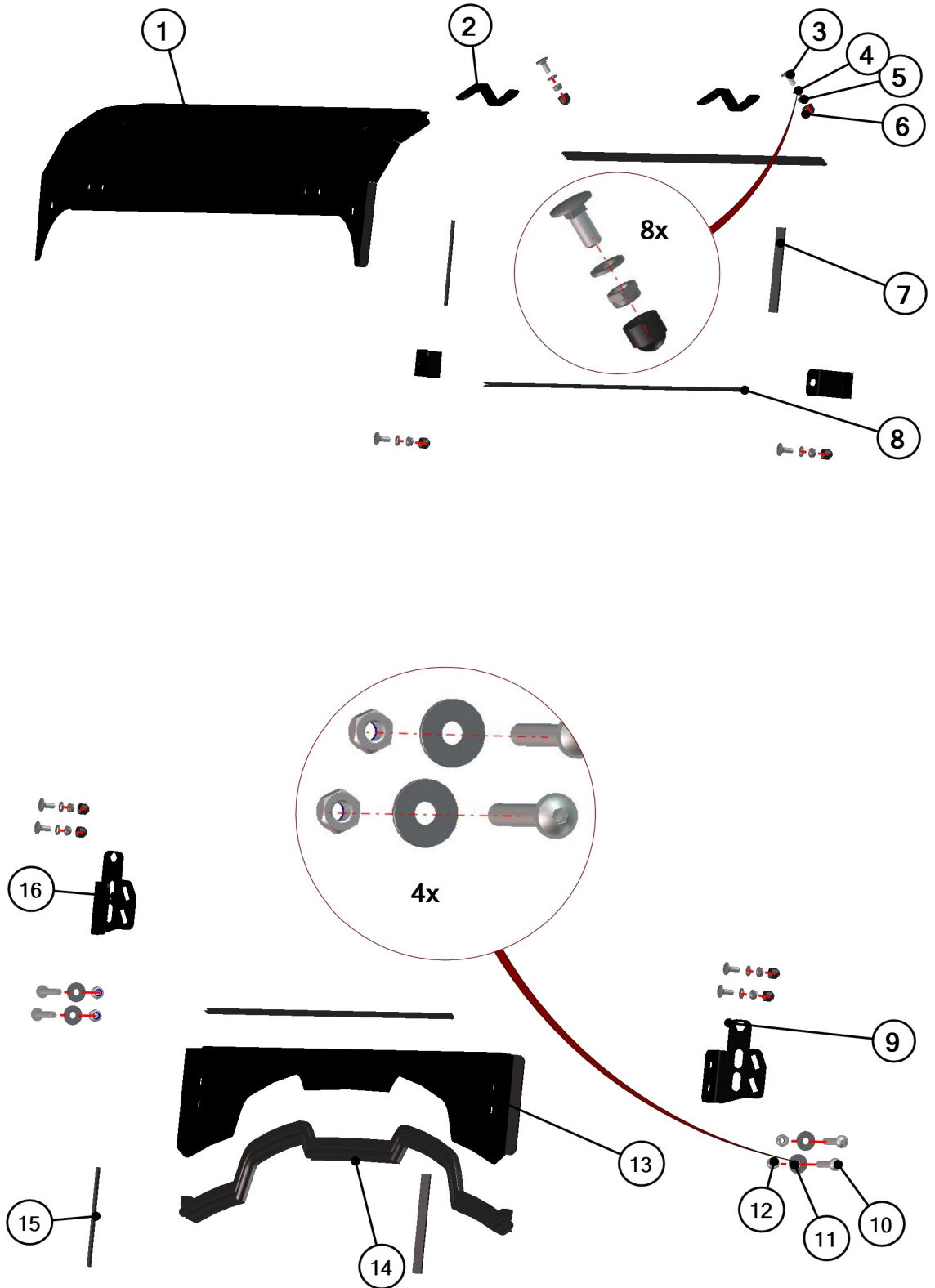
Position	Catalogue no.	Description	Qty
1	50S02U01-10M001	FRONT UPPER ASSEMBLY	1
2	50S02U01-10M003	FRONT WINDOW ASSEMBLY	1
3	50S02U01-10M002	FRONT BOTTOM ASSEMBLY	1

FOR ALL TECHNICAL QUESTIONS, PLEASE CALL
 DFK AMERICA INC.
 (630) 324-8585

FRONT UPPER + BOTTOM ASSEMBLIES



FOR ALL TECHNICAL QUESTIONS, PLEASE CALL
DFK AMERICA INC.
(630) 324-8585

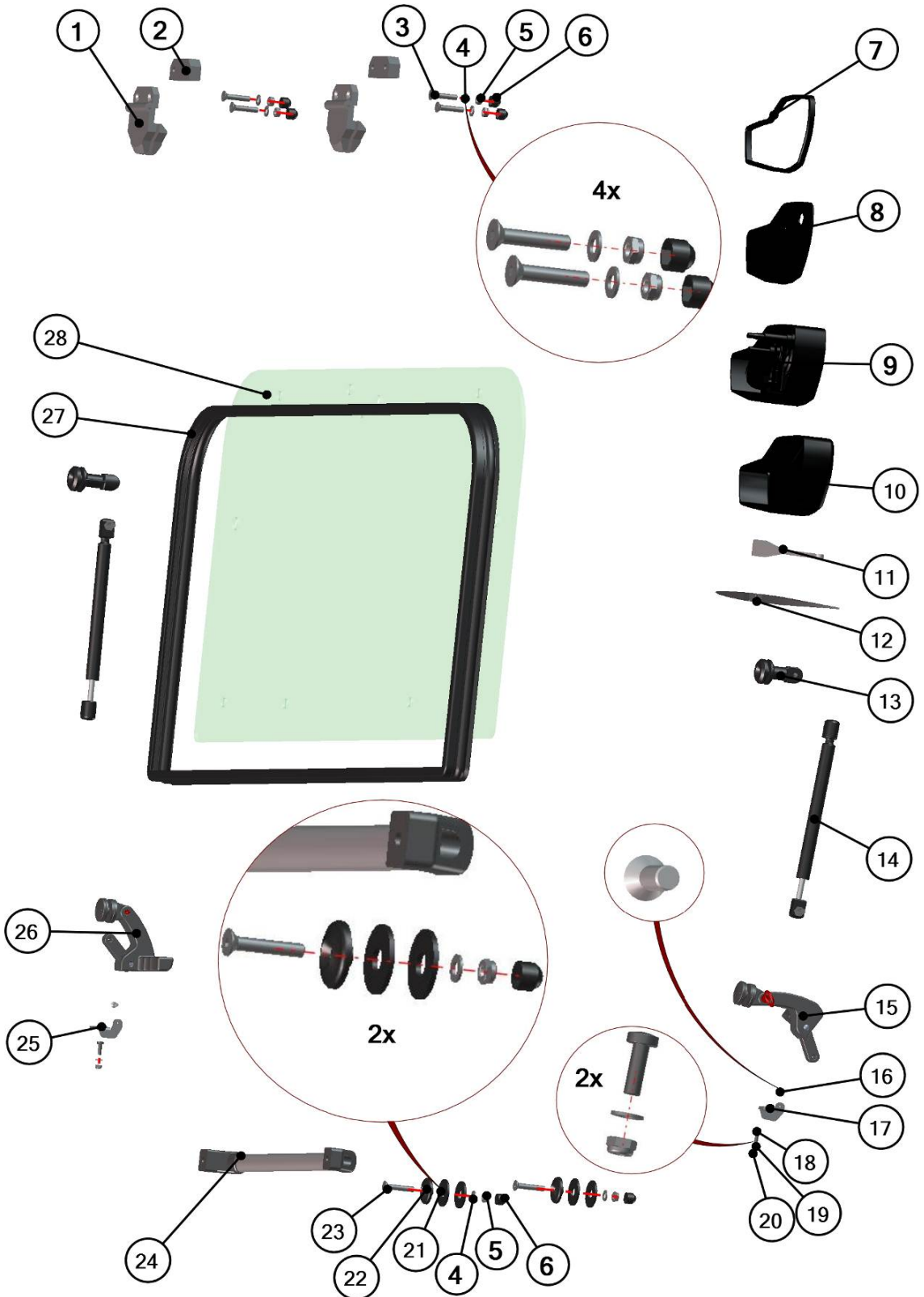


FOR ALL TECHNICAL QUESTIONS, PLEASE CALL
DFK AMERICA INC.
(630) 324-8585

Position	Catalogue no.	Description	Qty
1	50S02U01-10-001	FRONT UPPER LEDGE	1
2	00-101U-003	FRONT UPPER HOLDER	4
3	002575	SCREW M8x20	8
4	001387	WASHER 8	8
5	001388	SELF-LOCKING NUT M8	8
6	001309	PLASTIC NUT COVER OK13	8
7	001771^50S02U01-10M001	SEAL "KR 15x4"	1
8	001001^50S02U01-10M001	RUBBER PROFILE "LEMOVKA"	1
9	50S02U01	LEFT FRONT BOTTOM HOLDER	1
10	50S02U01	SCREW M10x60	4
11	001487	WASHER 10	4
12	002533	SELF-LOCKING NUT M10	4
13	50S02U01-10-002	FRONT BOTTOM LEDGE	1
14	001005^50S02U01-10M002	RUBBER PROFILE "PIRELA STRAIGHT"	1
15	001771^50S02U01-10M002	SEAL "KR 15x4"	1
16	50S02U01-10W002	RIGHT FRONT BOTTOM HOLDER	1

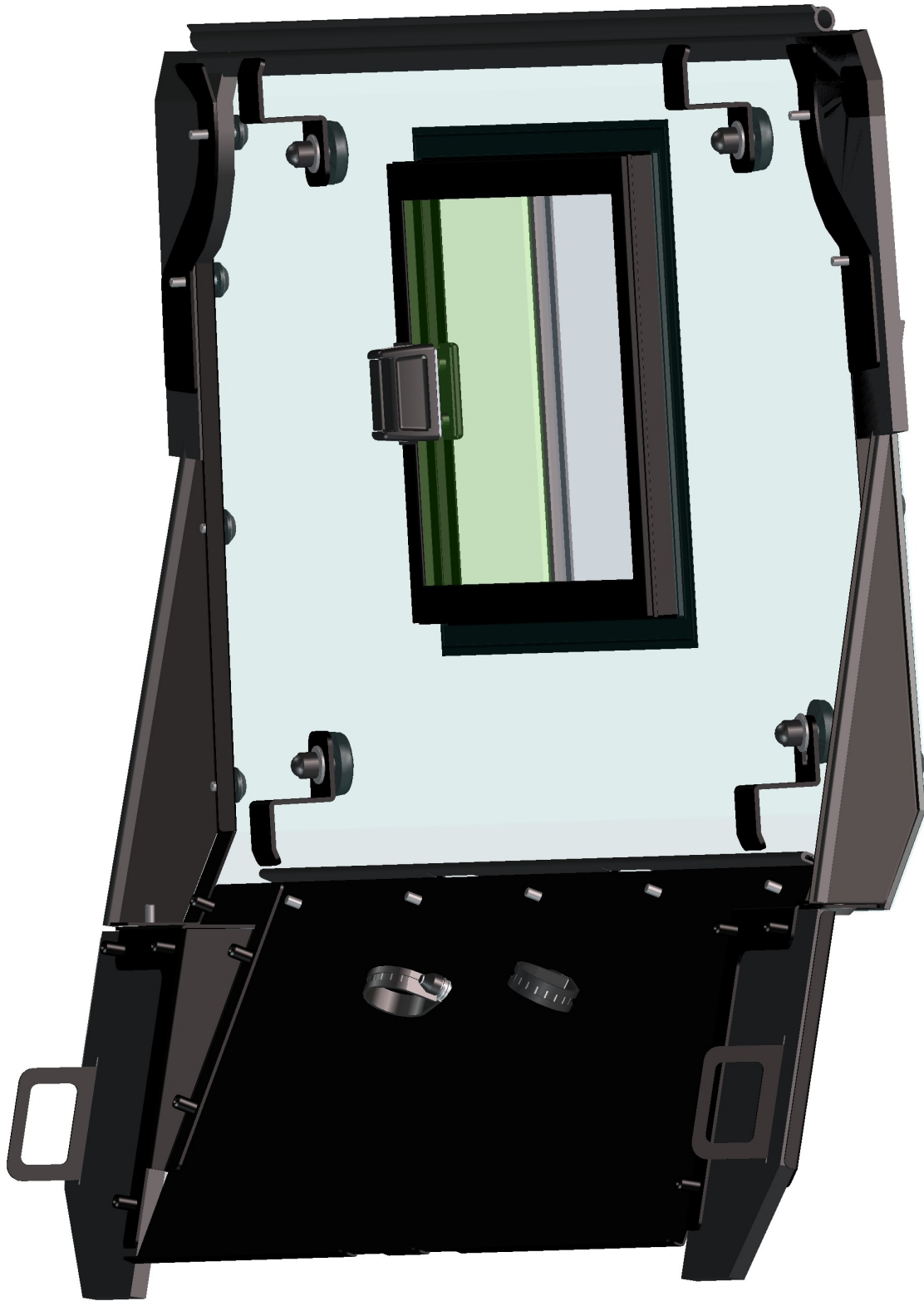
FRONT WINDOW ASSEMBLY





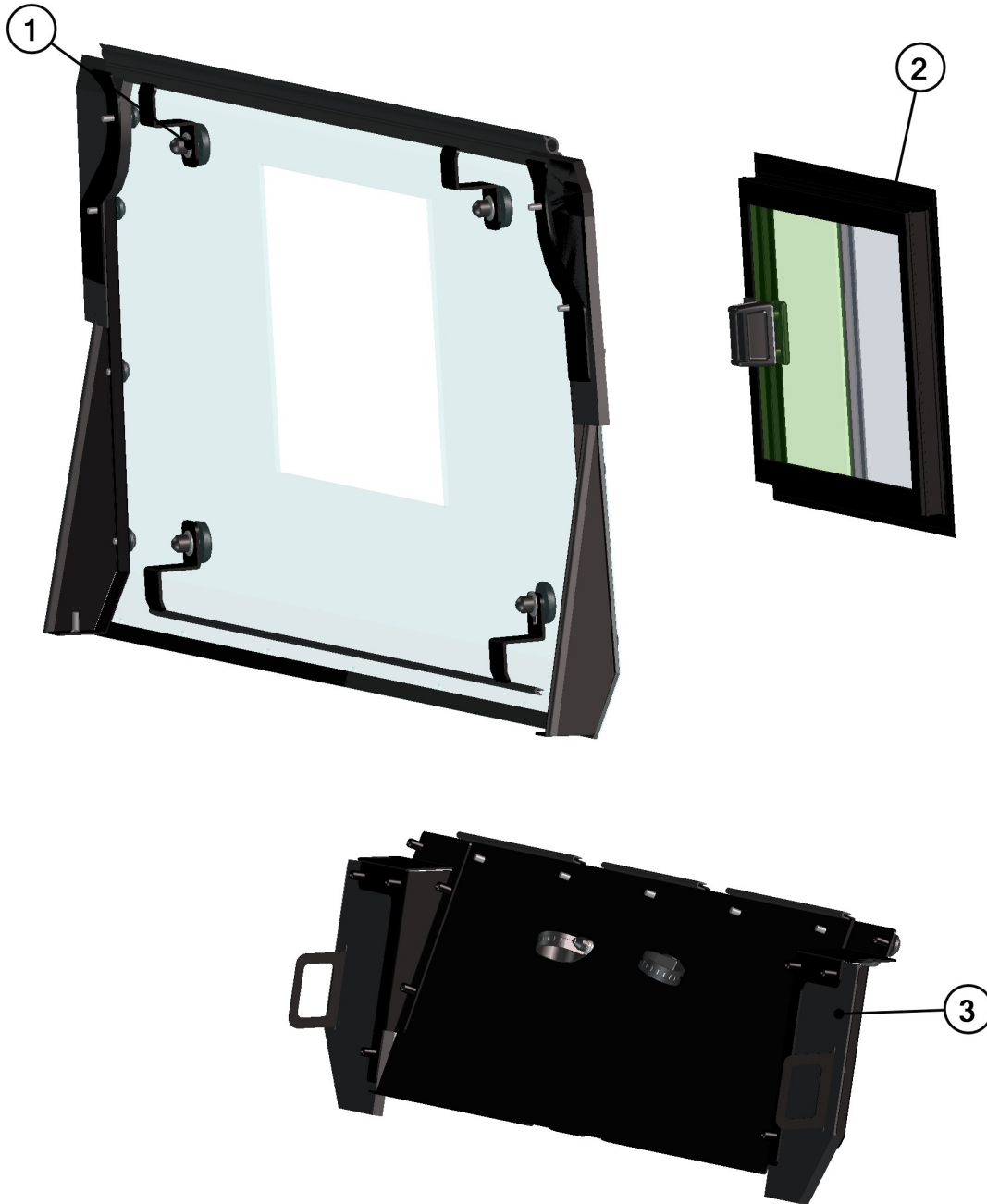
Position	Catalogue no.	Description	Qty
1	000862	HINGE PLASTIC	2
2	000863	HINGE BASE	2
3	002607	SCREW M8x40	4
4	001387	WASHER 8	6
5	001388	SELF-LOCKING NUT M8	6
6	001309	PLASTIC NUT COVER OK 13	6
7	001001^00-10M005	RUBBER PROFILE "LEMOVKA"	1
8	00-025E02	WIPER MOTOR LEDGE	1
9	002764	WIPER MOTOR	1
10	001722	WIPER MOTOR COVER	1
11	002536	WIPER ARM	1
12	002538	WIPER LATCH	1
13	001693	GAS SPRING HOLDER	2
14	000865	GAS SPRING	2
15	002640	LEFT WINDOW LOCK	1
16	002397	SCREW M5x12	2
17	50S02U01-10-009	LEFT LOCK HOLDER	1
18	002367	SCREW M5x16	2
19	001484	WASHER 5	2
20	002265	SELF-LOCKING NUT M5	2
21	001428	RUBBER WASHER 8	4
22	001429	PLASTIC WASHER 8	2
23	001694	SCREW M8x45	2
24	002496	WINDOW HANDLE	1
25	50S02U01-10-008	RIGHT LOCK HOLDER	1
26	002641	RIGHT WINDOW LOCK	1
27	002557^50S02U01-10M004	RUBBER PROFILE "PIRELA G LONG"	1
28	50S02U01-10-006	FRONT WINDOW GLASS	1

CENTRAL PANEL



12

FOR ALL TECHNICAL QUESTIONS, PLEASE CALL
DFK AMERICA INC.
(630) 324-8585



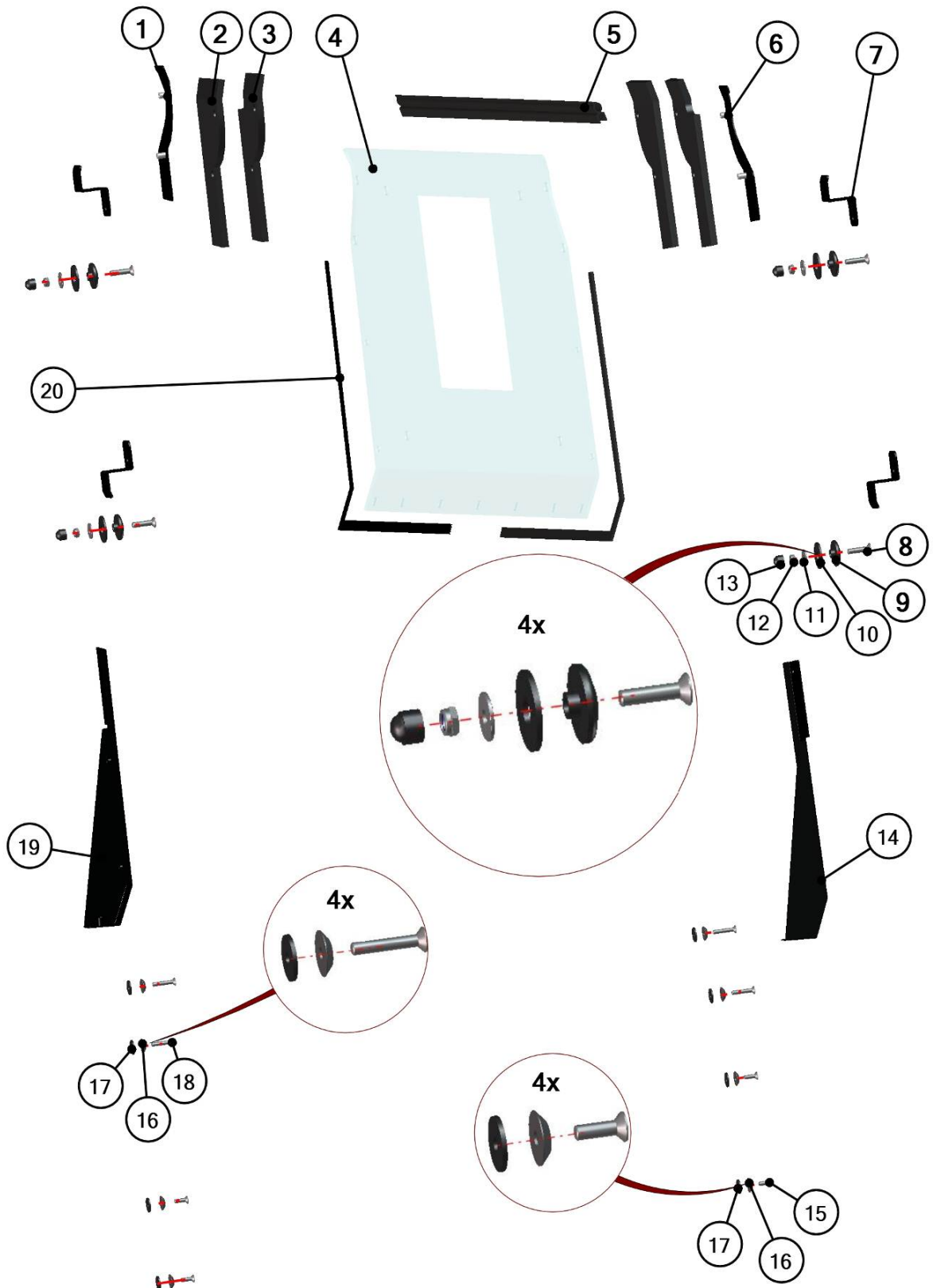
13

Position	Catalogue no.	Description	Qty
1	*****	CENTRAL PANEL ASSEMBLY	1
2	50S02U01-20M004	CENTRAL WINDOW ASSEMBLY	1
3	50S02U01-20M007	CENTRAL BOTTOM ASSEMBLY	1

FOR ALL TECHNICAL QUESTIONS, PLEASE CALL
 DFK AMERICA INC.
 (630) 324-8585

CENTRAL PANEL ASSEMBLY

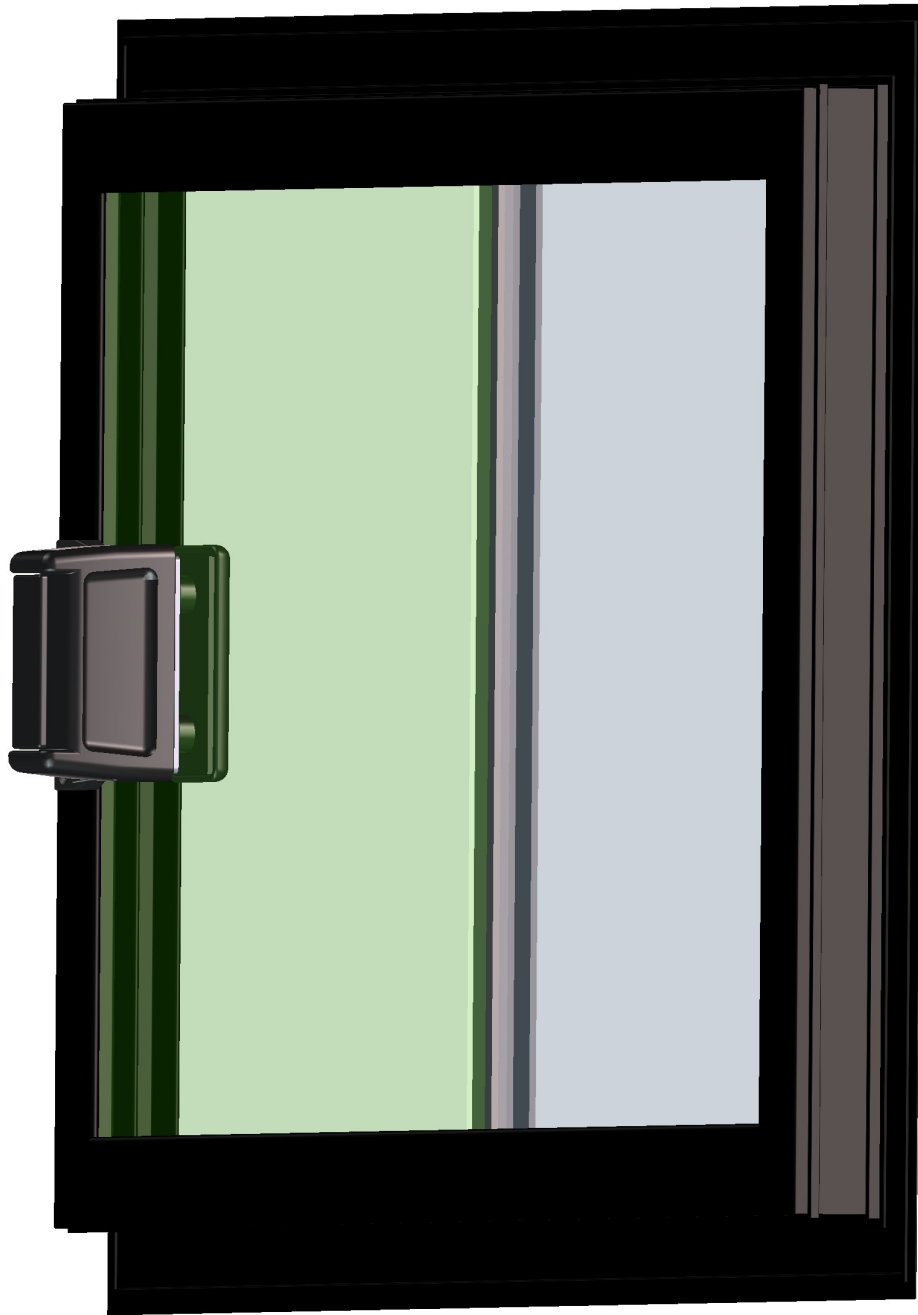


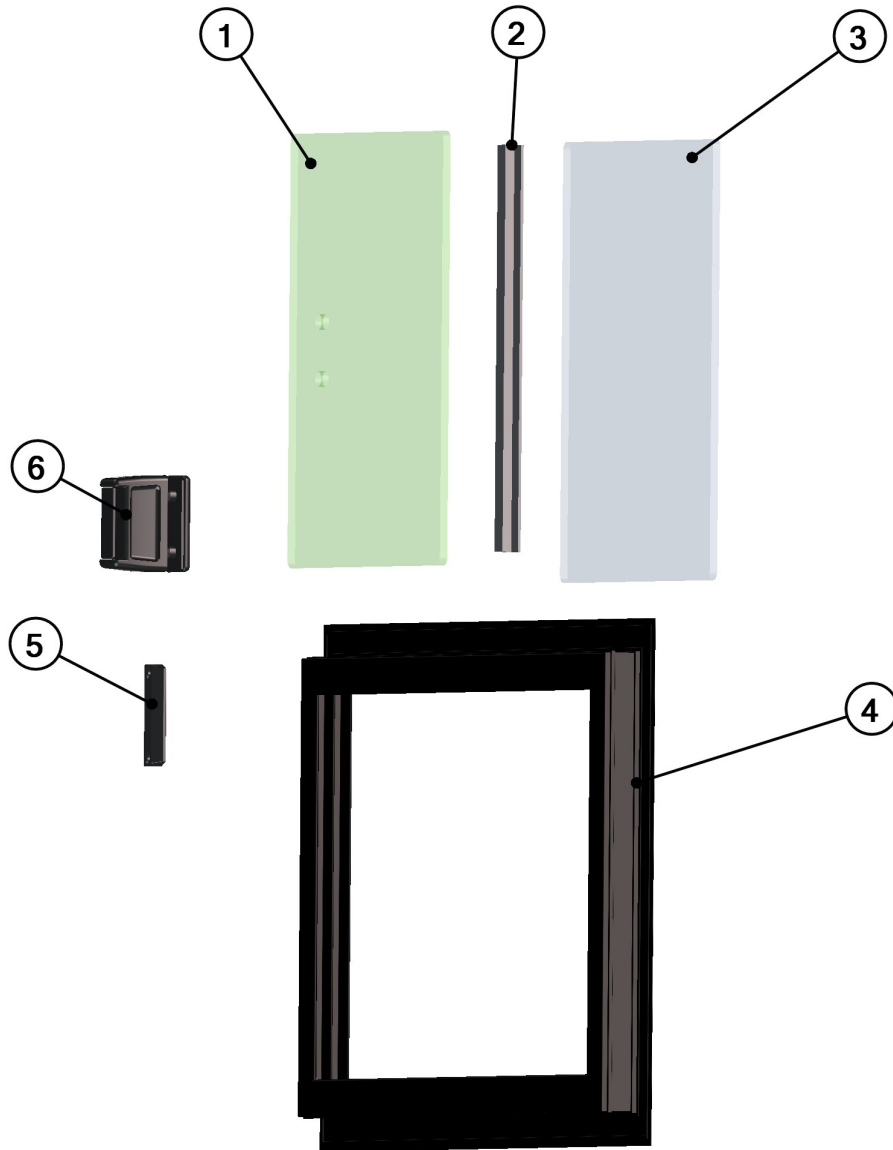


FOR ALL TECHNICAL QUESTIONS, PLEASE CALL
DFK AMERICA INC.
(630) 324-8585

Position	Catalogue no.	Description	Qty
1	50S02U01-20W012	RIGHT CENTRAL UPPER LEDGE	1
2	50S02U01-20-043	CENTRAL UPPER EPDM 1	2
3	50S02U01-20-020	CENTRAL UPPER EPDM 1	2
4	50S02U01-20-012	CENTRAL PANEL POLY	1
5	002051^50S02U01S20	RUBBER PROFILE "PIRELA STRAIGHT"	1
6	50S02U01-20W011	LEFT CENTRAL UPPER LEDGE	1
7	00-101U-003	CENTRAL HOLDER	4
8	001760	SCREW M8x35	4
9	001429	PLASTIC WASHER 8	4
10	001428	RUBBER WASHER 8	4
11	001407	WASHER 8 LARGE	4
12	001388	SELF-LOCKING NUT M8	4
13	001309	PLASTIC NUT COVER OK13	4
14	50S02U01-20W004	LEFT CENTRAL LEDGE	1
15	001761	SCREW M6x20	4
16	001715	PLASTIC WASHER 6	8
17	001735	RUBBER WASHER 6	8
18	002952	SCREW M6x35	4
19	50S02U01-20W008	RIGHT CENTRAL LEDGE	1
20	001771^50S02U01S20	SEAL "KR15x4"	2

CENTRAL WINDOW ASSEMBLY



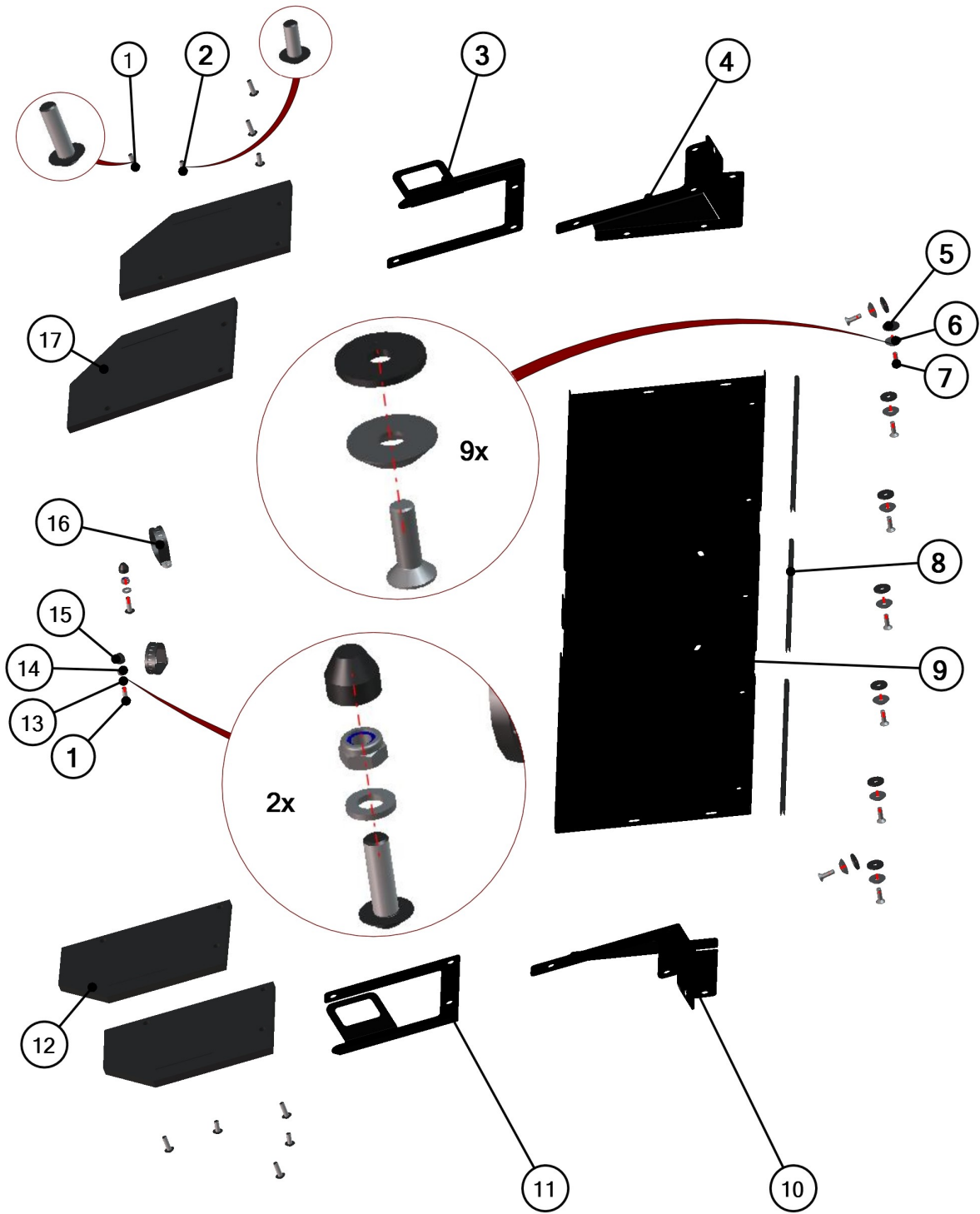


Position	Catalogue no.	Description	Qty
1	50S02U01-20-029	CENTRAL WINDOW GLASS	1
2	001083*50S02U01-20M004	AL PROFILE "U12x12"	1
3	50S02U01-20-028	CENTRAL WINDOW POLY	1
4	50S02U01-20-027	CENTRAL WINDOW FRAME	1
5	001762	GLASS STOP	1
6	001700	GLASS LOCK	1

FOR ALL TECHNICAL QUESTIONS, PLEASE CALL
 DFK AMERICA INC.
 (630) 324-8585

CENTRAL BOTTOM ASSEMBLY

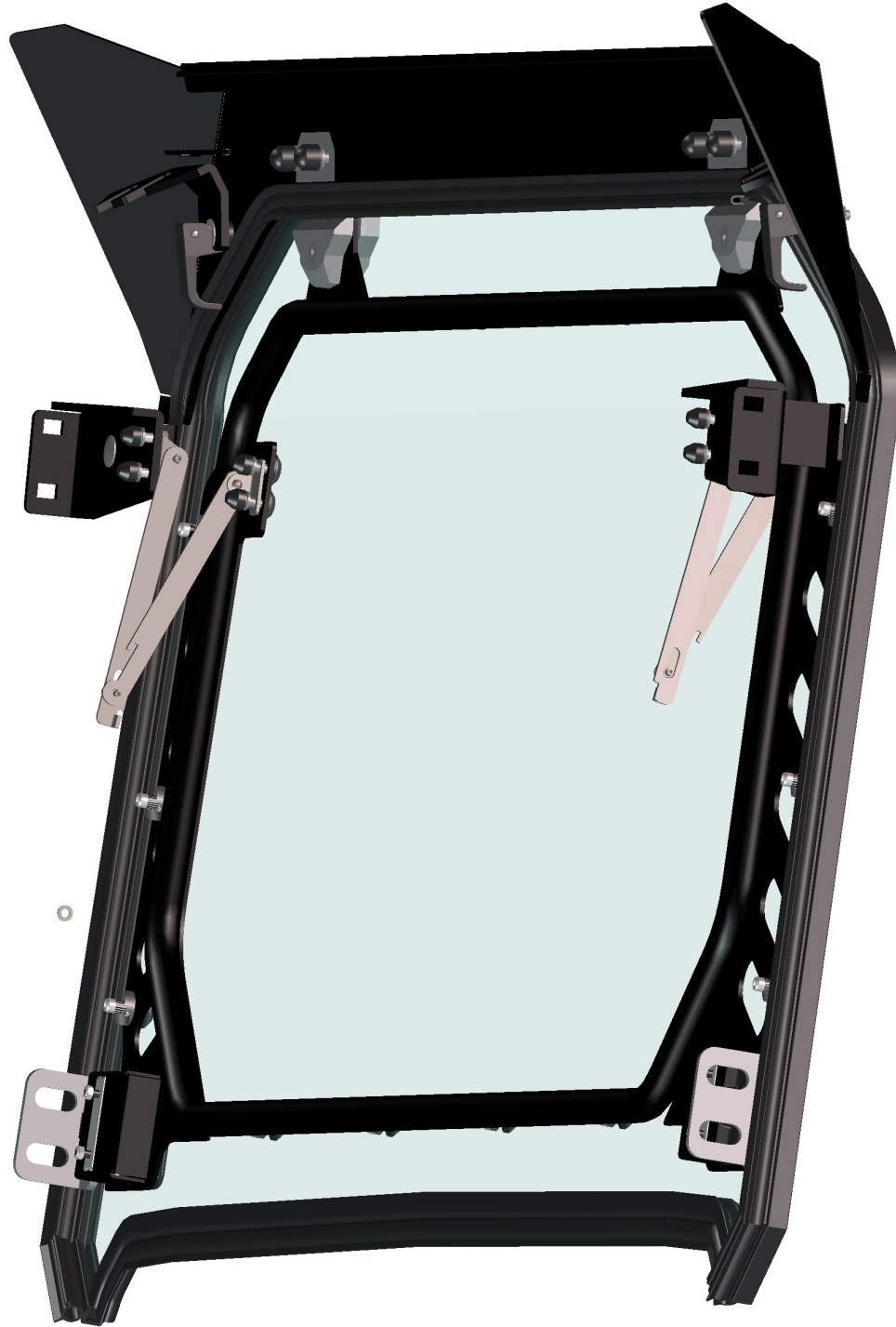


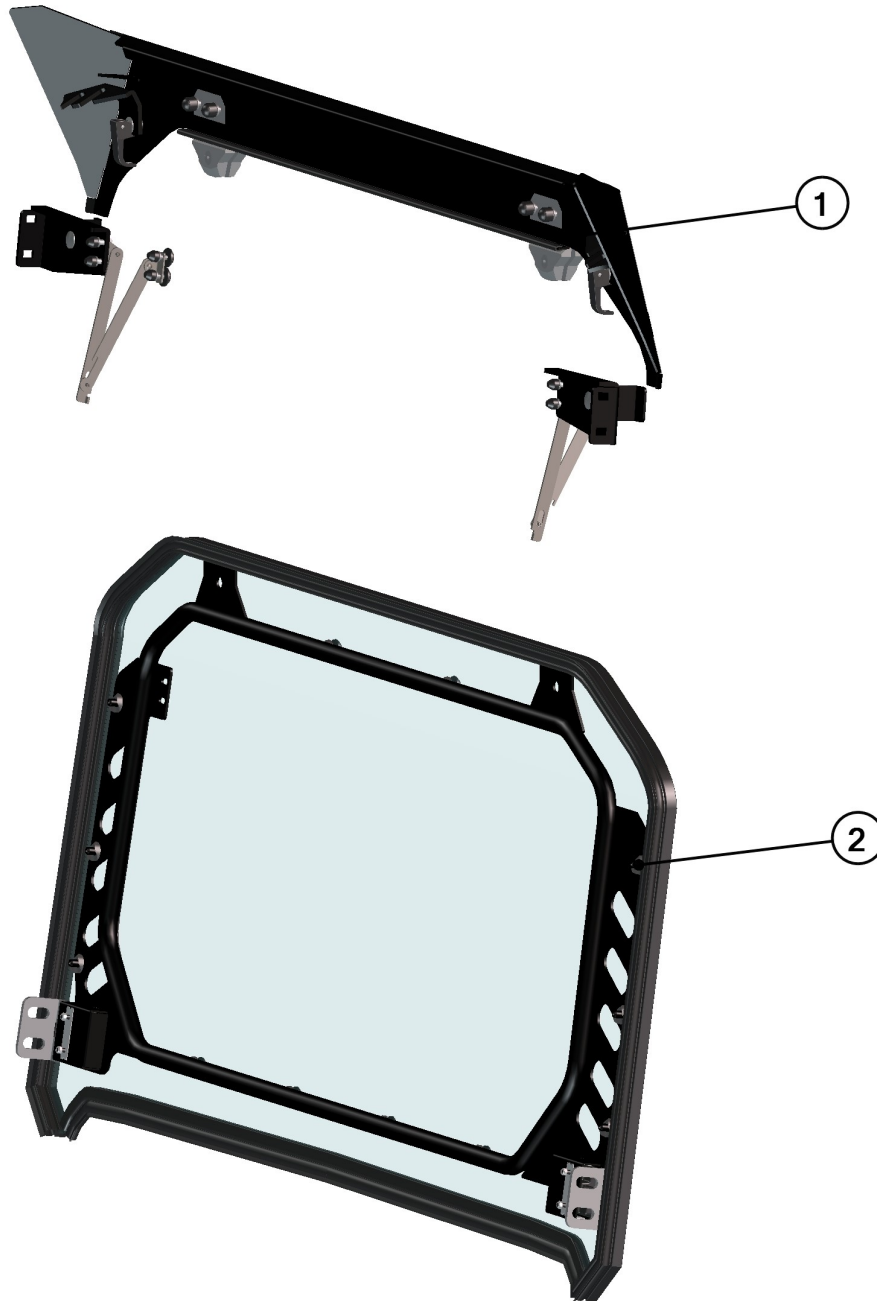


FOR ALL TECHNICAL QUESTIONS, PLEASE CALL
DFK AMERICA INC.
(630) 324-8585

Position	Catalogue no.	Description	Qty
1	002192	SCREW M6x20	8
2	002971	SCREW M6x16	4
3	50S02U01-20-036	RIGHT BOTTOM CENTRAL LEDGE	1
4	50S02U01-20W009	RIGHT BOTTOM CENTRAL WELDED	1
5	001735	RUBBER WASHER 6	9
6	001715	PLASTIC WASHER 6	9
7	001761	SCREW M6x20	9
8	001001^50S02U01-20M007	RUBBER PROFILE "LEMOVKA"	1
9	50S02U01-20W007	BOTTOM CENTRAL WELDED	1
10	50S02U01-20W005	LEFT BOTTOM CENTRAL WELDED	1
11	50S02U01-20-033	LEFT BOTTOM CENTRAL LEDGE	1
12	50S02U01-20-023	CENTRAL BOTTOM EPDM CUT	2
13	001426	WASHER 6	2
14	001392	SELF-LOCKING NUT M6	2
15	001348	PLASTIC NUT COVER OK10	2
16	003133	TIGHTENING STRAP	2
17	50S02U01-20-044	CENTRAL BOTTOM EPDM UNCUT	2

REAR PANEL



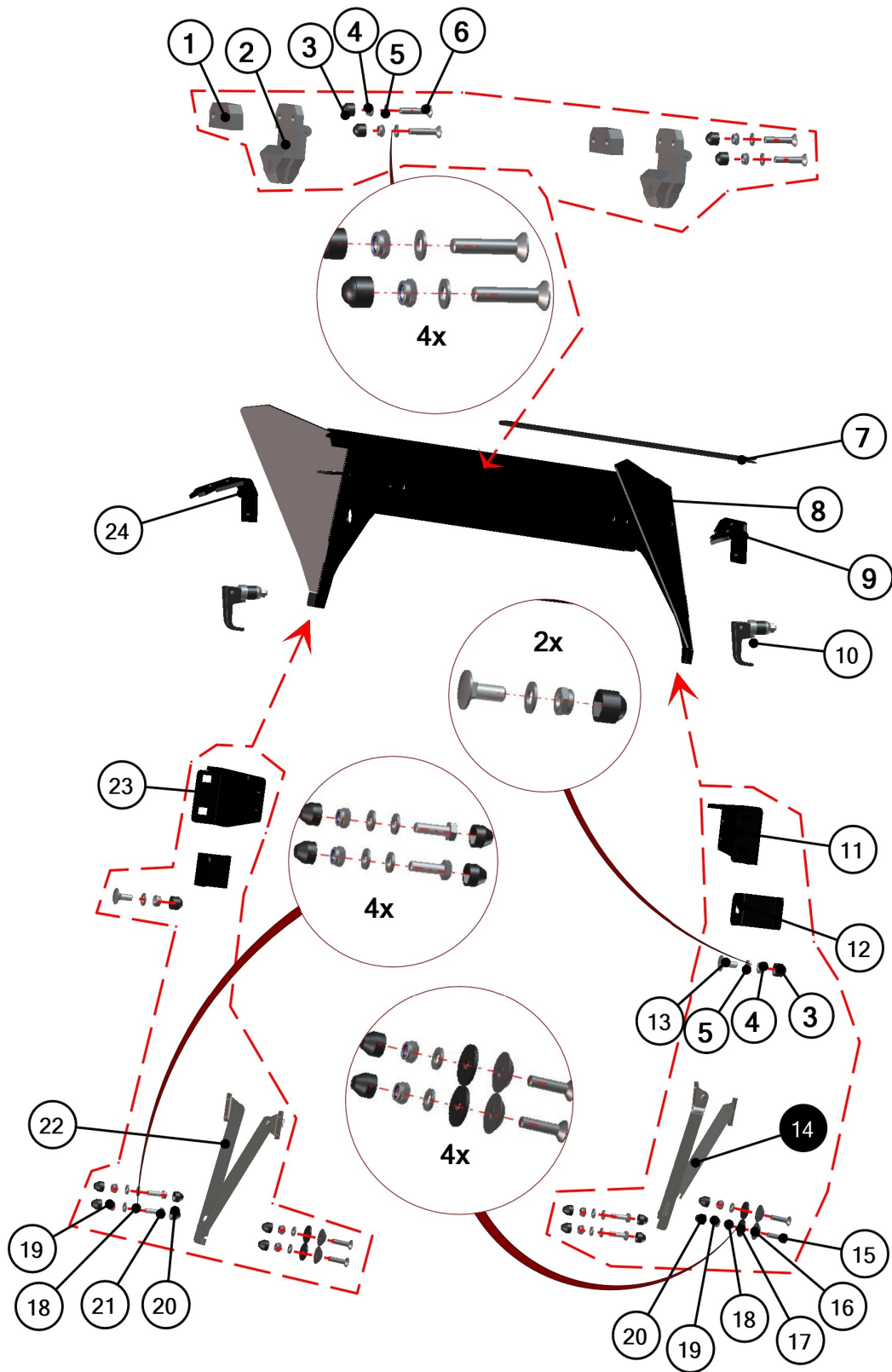


Position	Catalogue no.	Description	Qty
2	*****	REAR BOTTOM ASSEMBLY	1
1	*****	REAR UPPER ASSEMBLY	1

FOR ALL TECHNICAL QUESTIONS, PLEASE CALL
 DFK AMERICA INC.
 (630) 324-8585

REAR UPPER ASSEMBLY

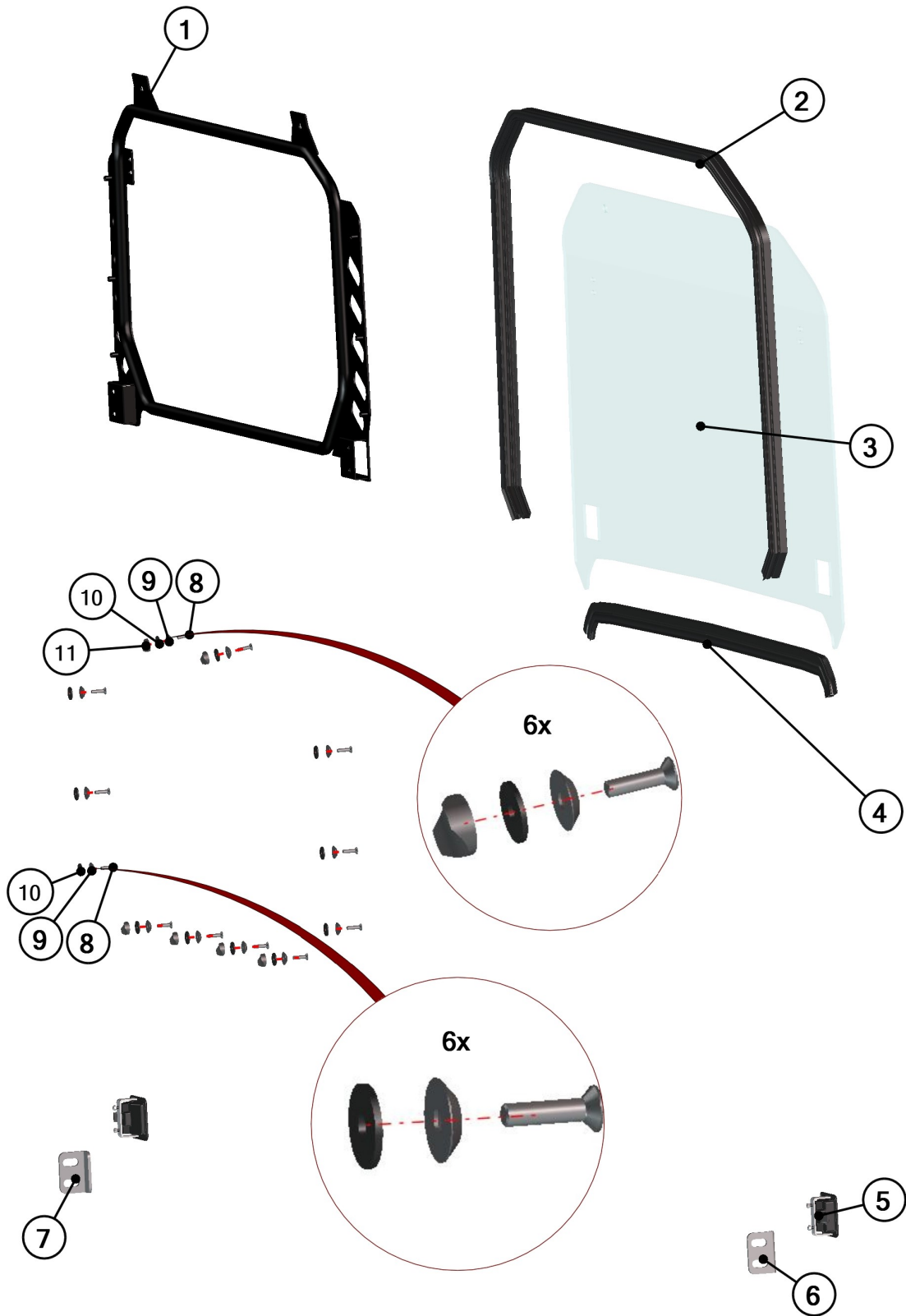




Position	Catalogue no.	Description	Qty
1	000863	HINGE BASE	2
2	000862	HINGE	2
3	001309	PLASTIC NUT COVER OK13	6
4	001388	SELF-LOCKING NUT M8	6
5	001387	WASHER 7	6
6	002607	SCREW M8x40	4
7	001001^50S02U01S21	RUBBER PROFILE "LEMOVKA"	1
8	50S02U01-20W001	REAR UPPER LEDGE WELDED	1
9	50S02U01-20-002	LEFT UPPER LEDGE HOLDER	1
10	002332	FAST-LOCK SCREW	2
11	50S02U01-20-010	LEFT TILTING HOLDER	1
12	50S02U01-20-016	REAR UPPER HOLDER	2
13	002575	SCREW M8x20	2
14	50S02U01	LEFT TILTING MECHANISM	1
15	002120	SCREW M6x25	4
16	001715	PLASTIC WASHER 6	4
17	001735	RUBBER WASHER 6	4
18	001426	WASHER 6	12
19	001392	SELF-LOCKING NUT M6	8
20	001348	PLASTIC NUT COVER OK10	12
21	001398	SCREW M6x30	4
22	003368	RIGHT TILTING MECHANISM	1
23	50S02U01-20-017	RIGHT TILTING HOLDER	1
24	50S02U01-20-041	RIGHT UPPER HOLDER	1

REAR BOTTOM ASSEMBLY





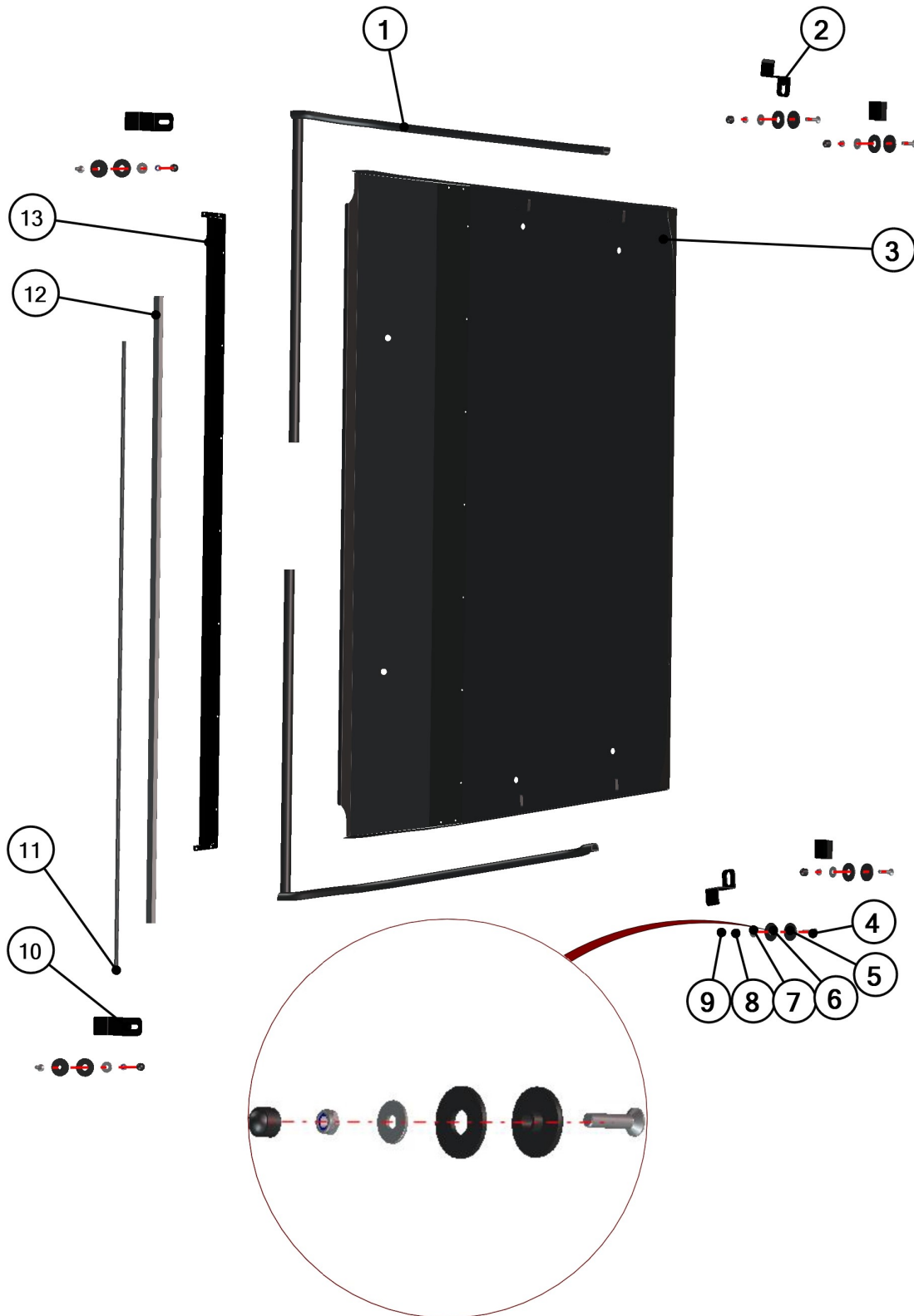
Position	Catalogue no.	Description	Qty
1	50S02U01-20W003	REAR FRAME WELDED	1
2	002454^50S02U01S21	RUBBER PROFIL "SARAZIN SIDE"	1
3	50S02U01-20-003	REAR WINDOW POLY	1
4	002658^50S02U01S21	RUBBER PROFILE "PIRELA G STRAIGHT"	1
5	003194	REAR WINDOW LOCK	2
6	50S02U01-20-004	LEFT REAR WINDOW STOP	1
7	50S02U01-20-040	RIGHT REAR WINDOW STOP	1
8	002120	SCREW M6x25	12
9	001715	PLASTIC WASHER 6	12
10	001735	RUBBER WASHER 6	12
11	001736	SEAT WASHER 6	6

FRONT ROOF



30

FOR ALL TECHNICAL QUESTIONS, PLEASE CALL
DFK AMERICA INC.
(630) 324-8585

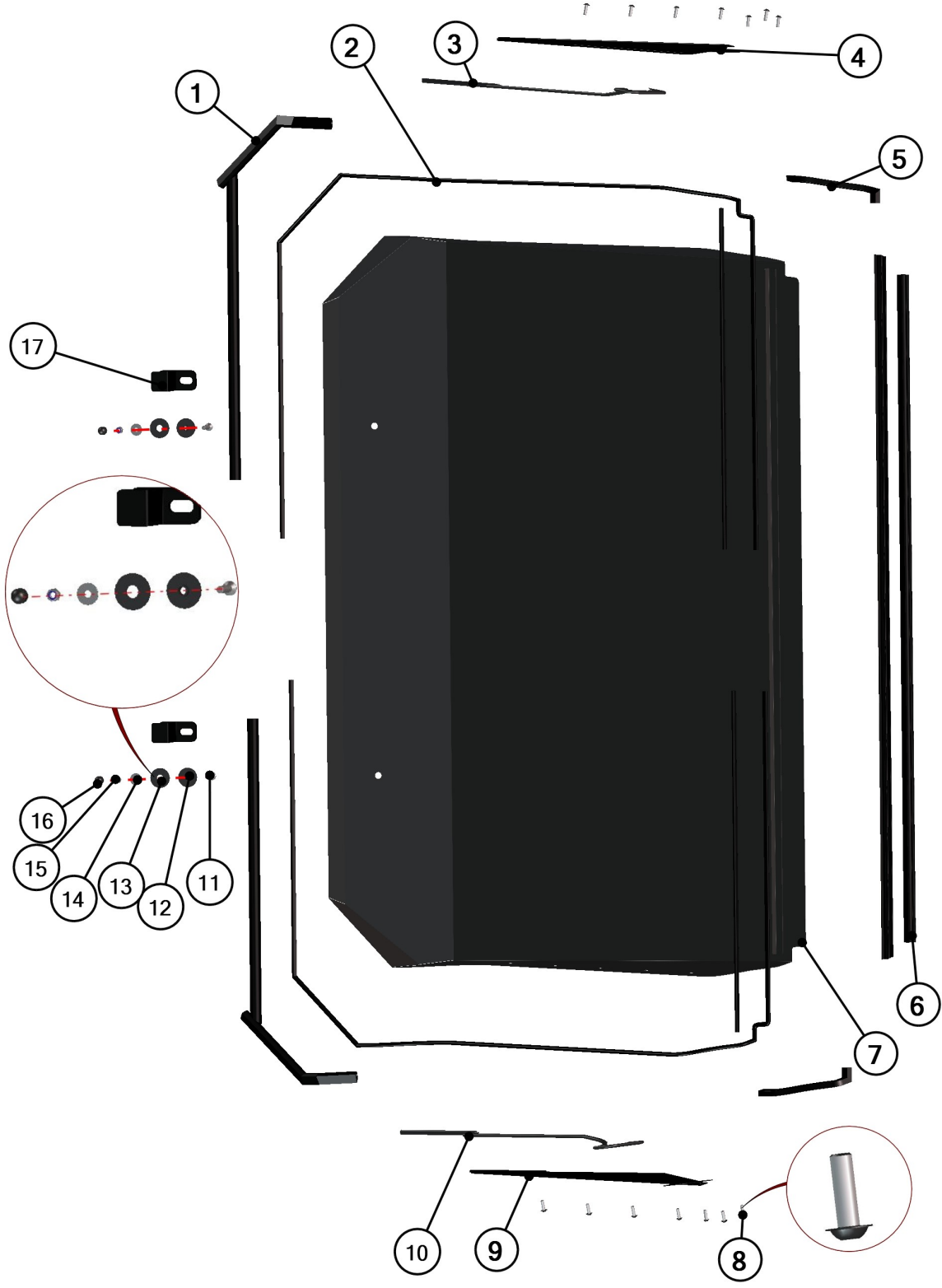


Position	Catalogue no.	Description	Qty
1	001589^50S02U01S30	RUBBER PROFILE "APOLLO"	2
2	50S02U01-30-004	FRONT ROOF HOLDER	4
3	50S02U01-30W001	FRONT ROOF PANEL WELDED	1
4	001760	SCREW M8x35	6
5	001429	PLASTIC WASHER 8	6
6	001428	RUBBER WASHER 8	6
7	001407	WASHER 8 LARGE	6
8	001388	SELF-LOCKING NUT M8	6
9	001309	PLASTIC NUT COVER OK13	6
10	50S02U01-30-007	CENTRAL ROOF HOLDER	2
11	001001^50S02U01-30M009	RUBBER PROFILE "LEMOVKA"	1
12	001016^50S02U01-30M009	RUBBE RPROFILE "VLEČKA"	1
13	50S02U01-30W006	FRONT ROOF POCKET	1

REAR ROOF

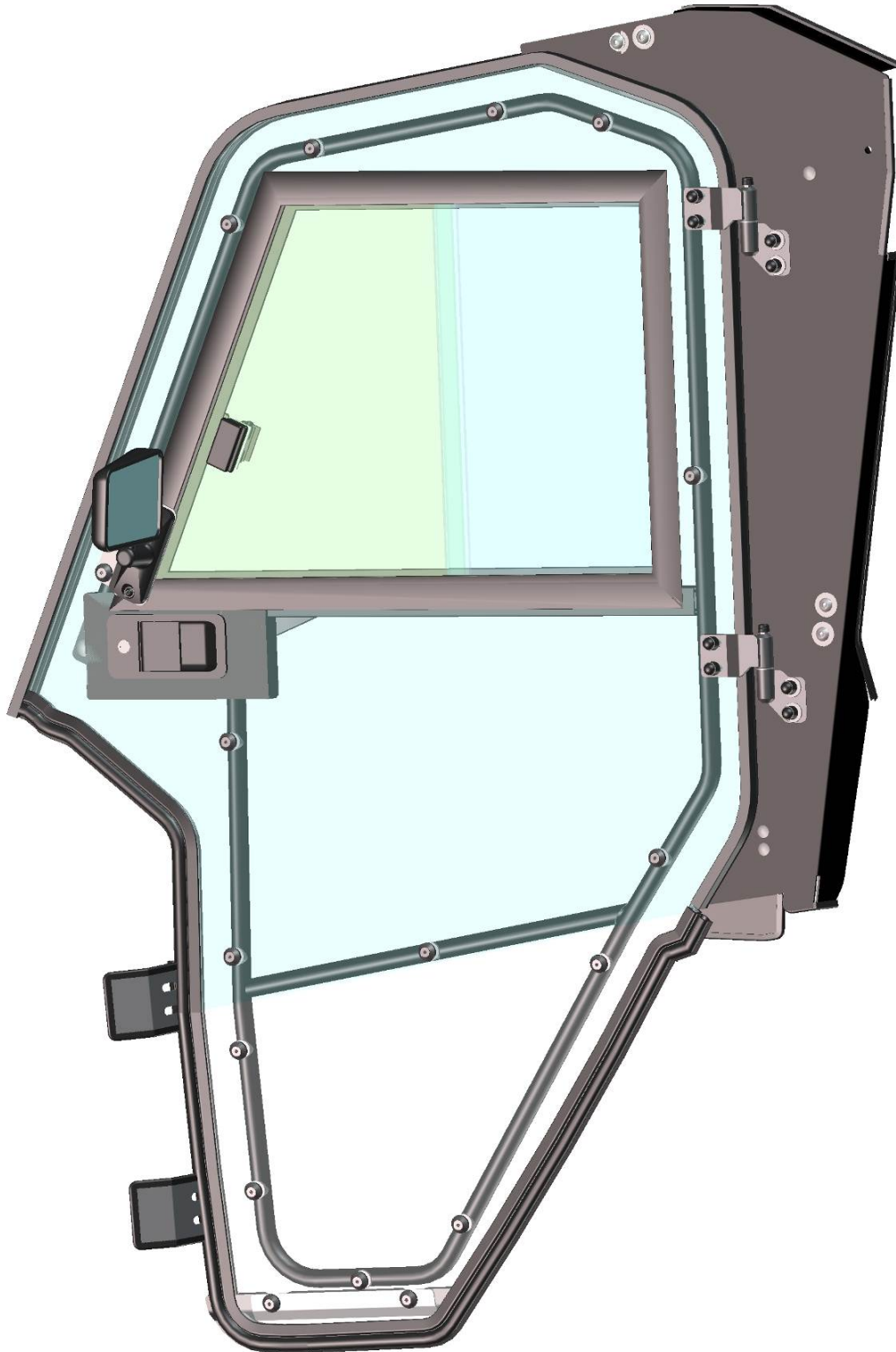


33

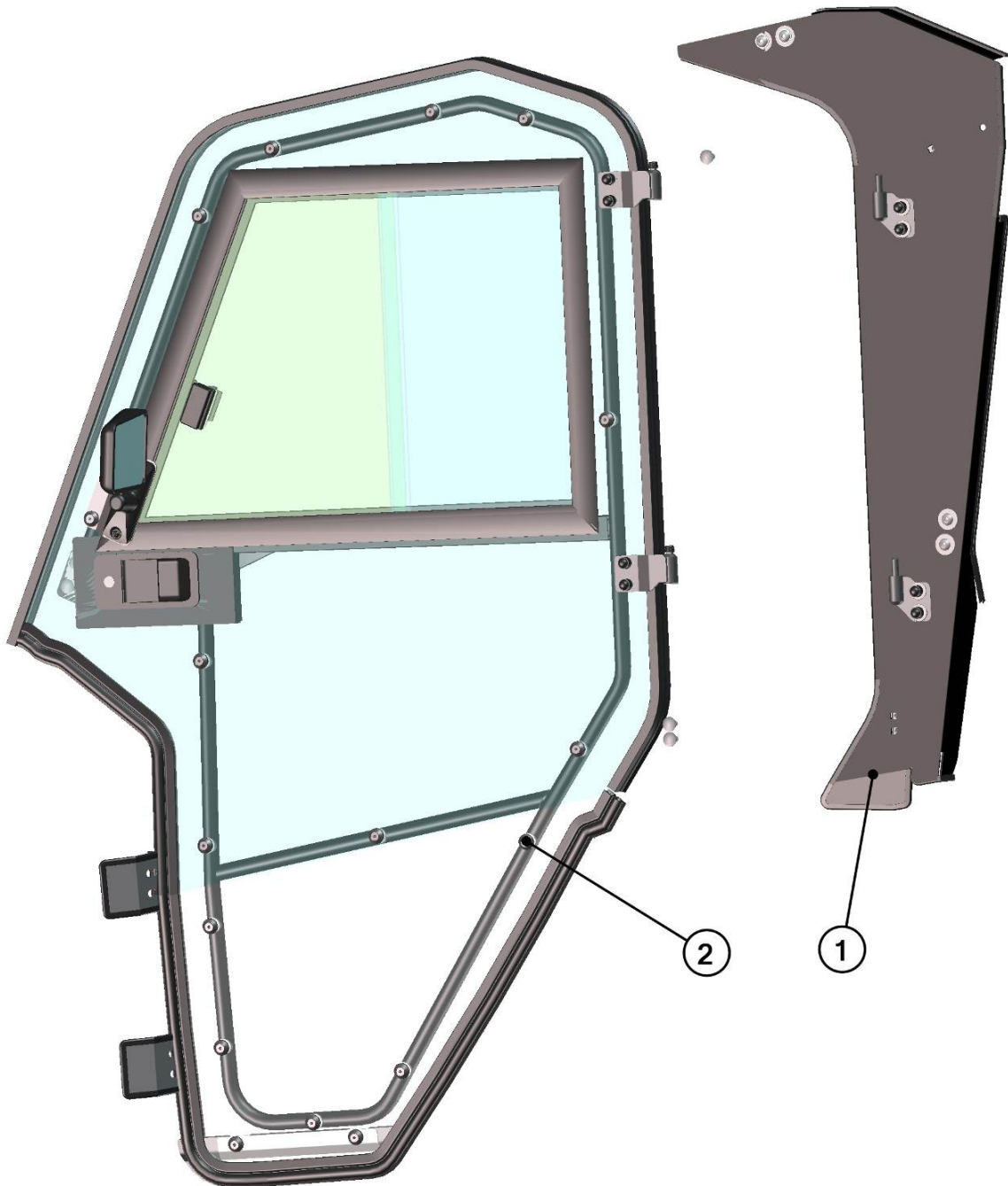


Position	Catalogue no.	Description	Qty
1	001589^50S02U01S31	RUBBER PROFILE "APOLLO"	2
2	001001^50S02U01S31	RUBBER PROFILE "LEMOVKA"	2
3	001001^50S02U01-30M008	RUBBER PROFILE "LEMOVKA"	1
4	50S02U01-30W005	RIGHT ROOF LEDGE	1
5	001016^50S02U01S31	RUBBER PROFILE "LEMOVKA"	2
6	001010^50S02U01S31	RUBBER PROFILE "SARAZIN"	1
7	50S02U01-30W003	REAR ROOF PANEL	1
8	001723	SCREW M6x20	14
9	50S02U01-30W004	LEFT ROOF LEDGE	1
10	001001^50S02U01-30M007	RUBBER PROFILE "LEMOVKA"	1
11	001760	SCREW M8	2
12	001429	PLASTIC WASHER 8	2
13	001428	RUBBER WASHER 8	2
14	001407	WASHER 8 LARGE	2
15	001388	SELF-LOCKING NUT M8	2
16	001309	PLASTIC NUT COVER OK13	2
17	50S02U01-20W010	REAR ROOF HOLDER WELDED	2

FRONT LEFT DOOR + RIGHT DOOR



36



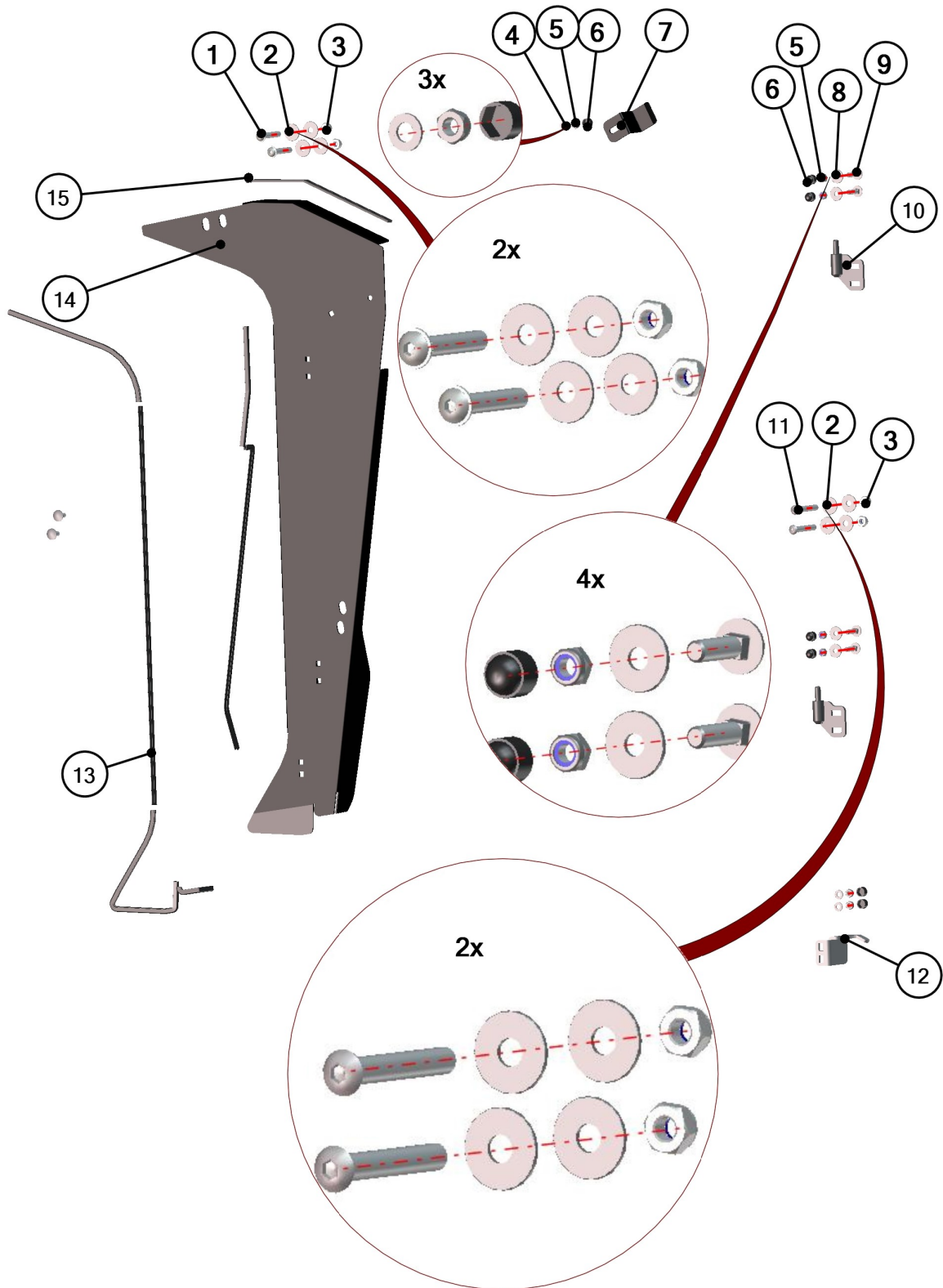
37

Position	Catalogue no.	Description	Qty
1	*****	FRONT DOOR BASE ASSEMBLY	1
2	*****	FRONT DOOR ASSEMBLY	1

FOR ALL TECHNICAL QUESTIONS, PLEASE CALL
 DFK AMERICA INC.
 (630) 324-8585

FRONT DOOR BASE WITH HINGES





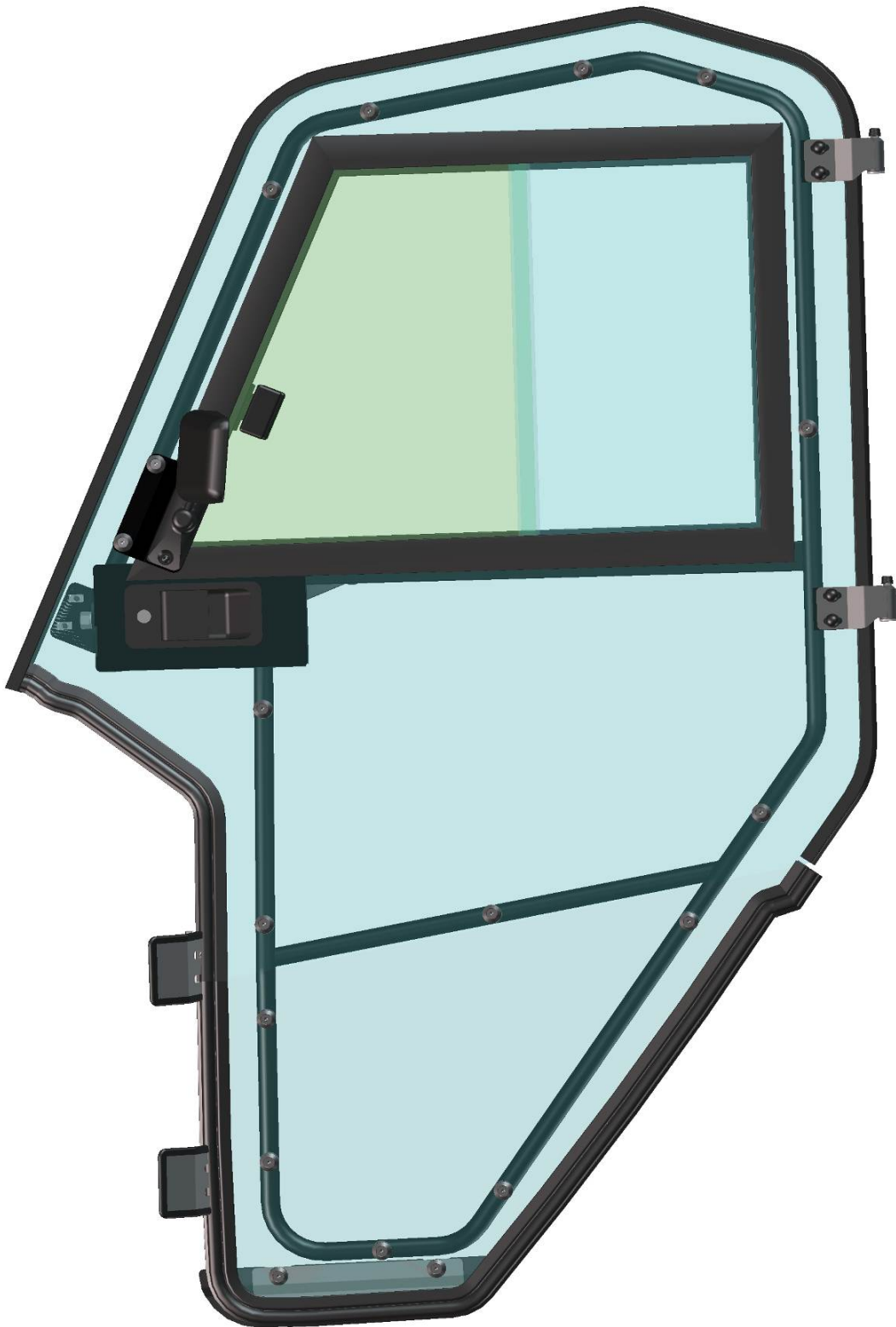
LEFT TABLE

Position	Catalogue no.	Description	Qty
1	002534	SCREW M10x60	2
2	001487	WASHER 10	8
3	002533	SELF-LOCKING NUT M10	4
4	001387	WASHER 8	3
5	001388	SELF-LOCKING NUT M8	7
6	001309	PLASTIC NUT COVER OK13	7
7	00-101U-003	DOOR BASE UPPER HOLDER	1
8	001407	WASHER 8 LARGE	4
9	002603	SCREW M8x30	4
10	50S02U01-40W005	LEFT DOOR BASE HINGE	2
11	002542	SCREW M10x70	2
12	50S02U01-40-007	LEFT DOOR BASE BOTTOM HOLDER	1
13	001001^50S02U01S40	RUBBER PROFILE "LEMOVKA"	1
14	50S02U01-40W002	LEFT FRONT DOOR BASE	1
15	001771^50S02U01S40	SEAL "KR15x4"	1

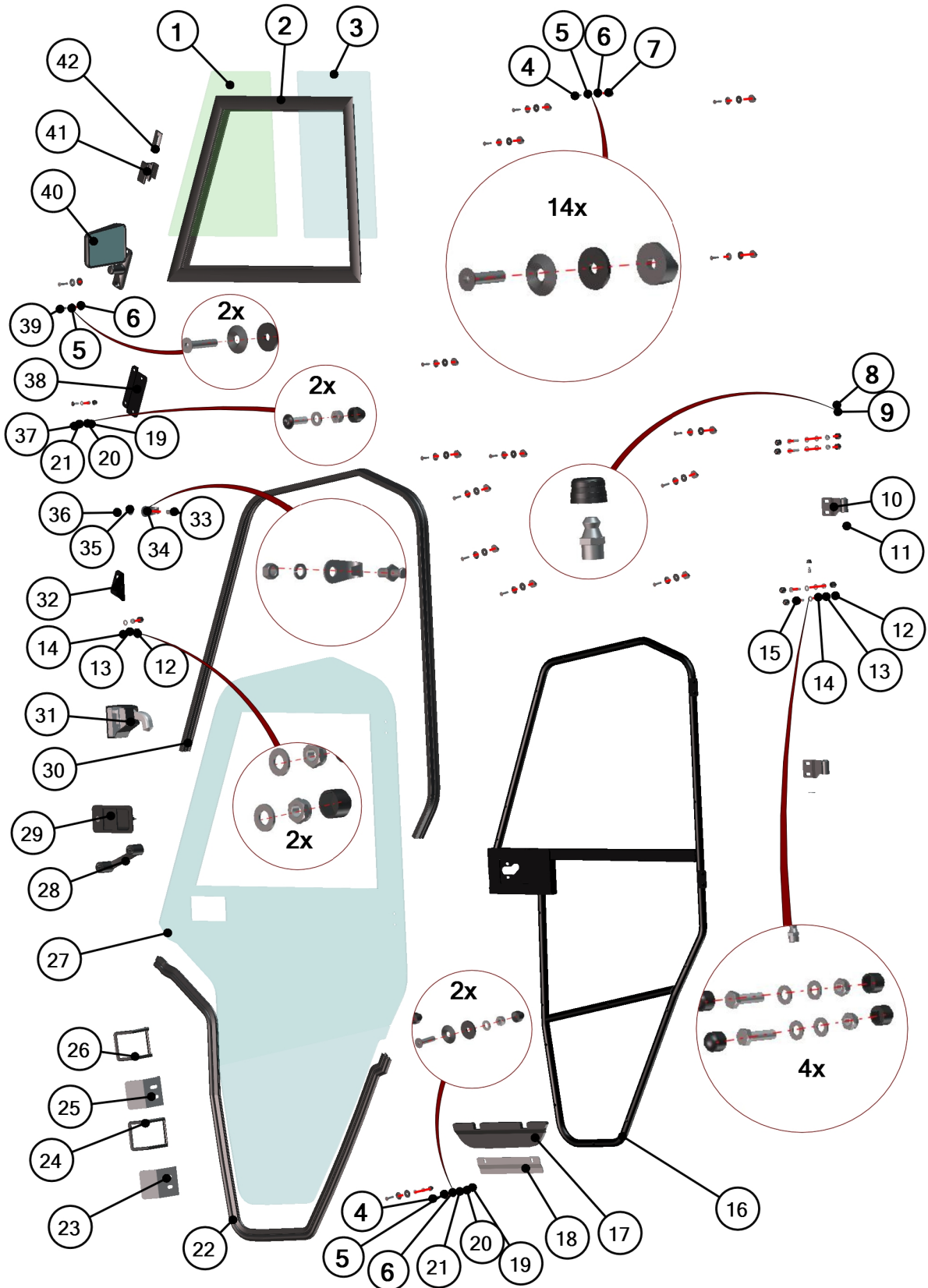
RIGHT TABLE

Position	Catalogue no.	Description	Qty
1	002534	SCREW M10x60	2
2	001487	WASHER 10	8
3	002533	SELF-LOCKING NUT M10	4
4	001387	WASHER 8	3
5	001388	SELF-LOCKING NUT M8	7
6	001309	PLASTIC NUT COVER OK13	7
7	00-101U-003	DOOR BASE UPPER HOLDER	1
8	001407	WASHER 8 LARGE	4
9	002603	SCREW M8x30	4
10	50S02U01-50W005	RIGHT DOOR BASE HINGE	2
11	002542	SCREW M10x70	2
12	50S02U01-50-007	RIGHT DOOR BASE BOTTOM HOLDER	1
13	001001^50S02U01S40	RUBBER PROFILE "LEMOVKA"	1
14	50S02U01-50W002	RIGHT FRONT DOOR BASE	1
15	001771^50S02U01S40	SEAL "KR15x4"	1

FRONT DOOR ASSEMBLY



41



LEFT TABLE

Position	Catalogue no.	Description	Qty
1	50S02U01-40-011	FRONT DOOR GLASS MOVABLE	1
2	50S02U01-40-010	LEFT FRONT DOOR WINDOW FRAME PVC	1
3	50S02U01-40-012	FRONT DOOR GLASS SOLID	1
4	002120	SCREW M6x25	16
5	001715	PLASTIC WASHER 6	18
6	001735	RUBBER WASHER 6	18
7	001736	SEAT WASHER 6	14
8	001431	LUBRICATOR COVER	2
9	001430	LUBRICATOR	2
10	50S02U01-40W006	LEFT FRONT DOOR HINGE	2
11	001485	WASHER 10	2
12	001309	PLASTIC NUT COVER OK13	10
13	001388	SELF-LOCKING NUT M8	6
14	001387	WASHER 8	10
15	001411	SCREW M8x30	4
16	50S02U01-40W001	LEFT FRONT DOOR FRAME WELDED	1
17	50S02U01-40-036	FRONT DOOR BOTTOM EPDM	1
18	50S02U01-40-038	FRONT DOOR BOTTOM LEDGE	1
19	001348	PLASTIC NUT COVER OK10	4
20	001392	SELF-LOCKING NUT M6	4
21	001426	WASHER 6	4
22	002658^50S02U01S40	RUBBER PROFILE PIRELA G STRAIGHT"	1
23	50S02U01-40W008	FRONT DOOR BOTTOM COVER	1
24	001001^50S02U01-40M011	RUBBER PROFILE "LEMOVKA"	1
25	50S02U01-40W007	FRONT DOOR UPPER COVER	1
26	001001^50S02U01-40M010	RUBBER PROFILE "LEMOVKA"	1
27	50S02U01-40-002	LEFT FRONT DOOR PANEL POLY	1
28	001703	HANDLE	1
29	000841	OUTER DOOR LOCK	1
30	002454^50S02U01S40	RUBBER PROFILE "SARAZIN SIDE"	1
31	001743	LEFT FRONT INNER DOOR LOCK	1
32	50S02U01-40-013	LEFT FRONT DOOR STOP HOLDER	1
33	000854	DOOR STOP PIN	1
34	000855	DOOR STOP HOOK	1
35	000857	DOOR STOP WASHER	1
36	000856	DOOR STOP NUT	1
37	001723	SCREW M6x20	2
38	00-109U-002	MIRROR HOLDER	1
39	001701	SCREW M6x30	2
40	002773	LEFT MIRROR	1
41	001700	GLASS LOCK	1
42	001762	GLASS STOP	1

RIGHT TABLE

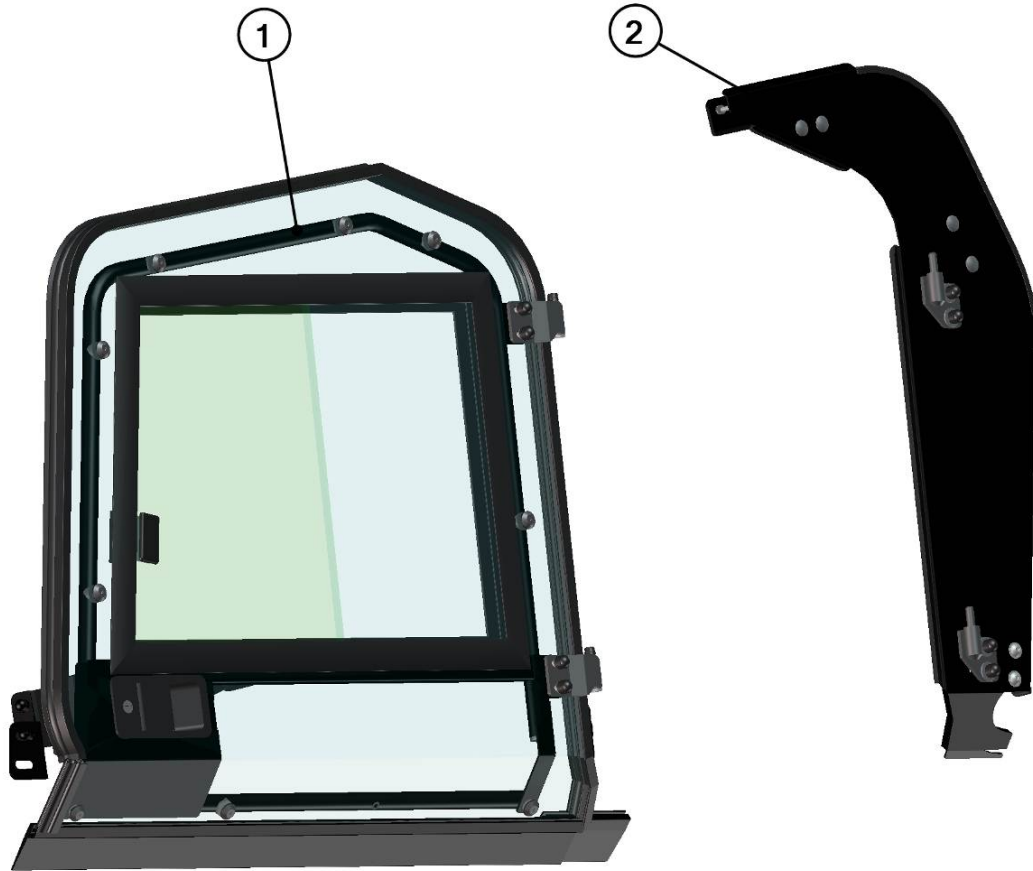
Position	Catalogue no.	Description	Qty
1	50S02U01-40-011	FRONT DOOR GLASS MOVABLE	1
2	50S02U01-50-010	RIGHT FRONT DOOR WINDOW FRAME PVC	1
3	50S02U01-40-012	FRONT DOOR GLASS SOLID	1
4	002120	SCREW M6x25	16
5	001715	PLASTIC WASHER 6	18
6	001735	RUBBER WASHER 6	18
7	001736	SEAT WASHER 6	14
8	001431	LUBRICATOR COVER	2
9	001430	LUBRICATOR	2
10	50S02U01-50W006	RIGHT FRONT DOOR HINGE	2
11	001485	WASHER 10	2
12	001309	PLASTIC NUT COVER OK13	10
13	001388	SELF-LOCKING NUT M8	6
14	001387	WASHER 8	10
15	001411	SCREW M8x30	4
16	50S02U01-50W001	RIGHT FRONT DOOR FRAME WELDED	1
17	50S02U01-40-036	FRONT DOOR BOTTOM EPDM	1
18	50S02U01-40-038	FRONT DOOR BOTTOM LEDGE	1
19	001348	PLASTIC NUT COVER OK10	4
20	001392	SELF-LOCKING NUT M6	4
21	001426	WASHER 6	4
22	002658*50S02U01S40	RUBBER PROFILE PIRELA G STRAIGHT"	1
23	50S02U01-40W008	FRONT DOOR BOTTOM COVER	1
24	001001*50S02U01-40M011	RUBBER PROFILE "LEMOVKA"	1
25	50S02U01-40W007	FRONT DOOR UPPER COVER	1
26	001001*50S02U01-40M010	RUBBER PROFILE "LEMOVKA"	1
27	50S02U01-50-002	RIGHT FRONT DOOR PANEL POLY	1
28	001703	HANDLE	1
29	000841	OUTER DOOR LOCK	1
30	002454*50S02U01S40	RUBBER PROFILE "SARAZIN SIDE"	1
31	001744	RIGHT FRONT INNER DOOR LOCK	1
32	50S02U01-50-013	RIGHT FRONT DOOR STOP HOLDER	1
33	000854	DOOR STOP PIN	1
34	000855	DOOR STOP HOOK	1
35	000857	DOOR STOP WASHER	1
36	000856	DOOR STOP NUT	1
37	001723	SCREW M6x20	2
38	00-109U-002	MIRROR HOLDER	1
39	001701	SCREW M6x30	2
40	002774	RIGHT MIRROR	1
41	001700	GLASS LOCK	1
42	001762	GLASS STOP	1

REAR LEFT DOOR + RIGHT DOOR



45

FOR ALL TECHNICAL QUESTIONS, PLEASE CALL
DFK AMERICA INC.
(630) 324-8585



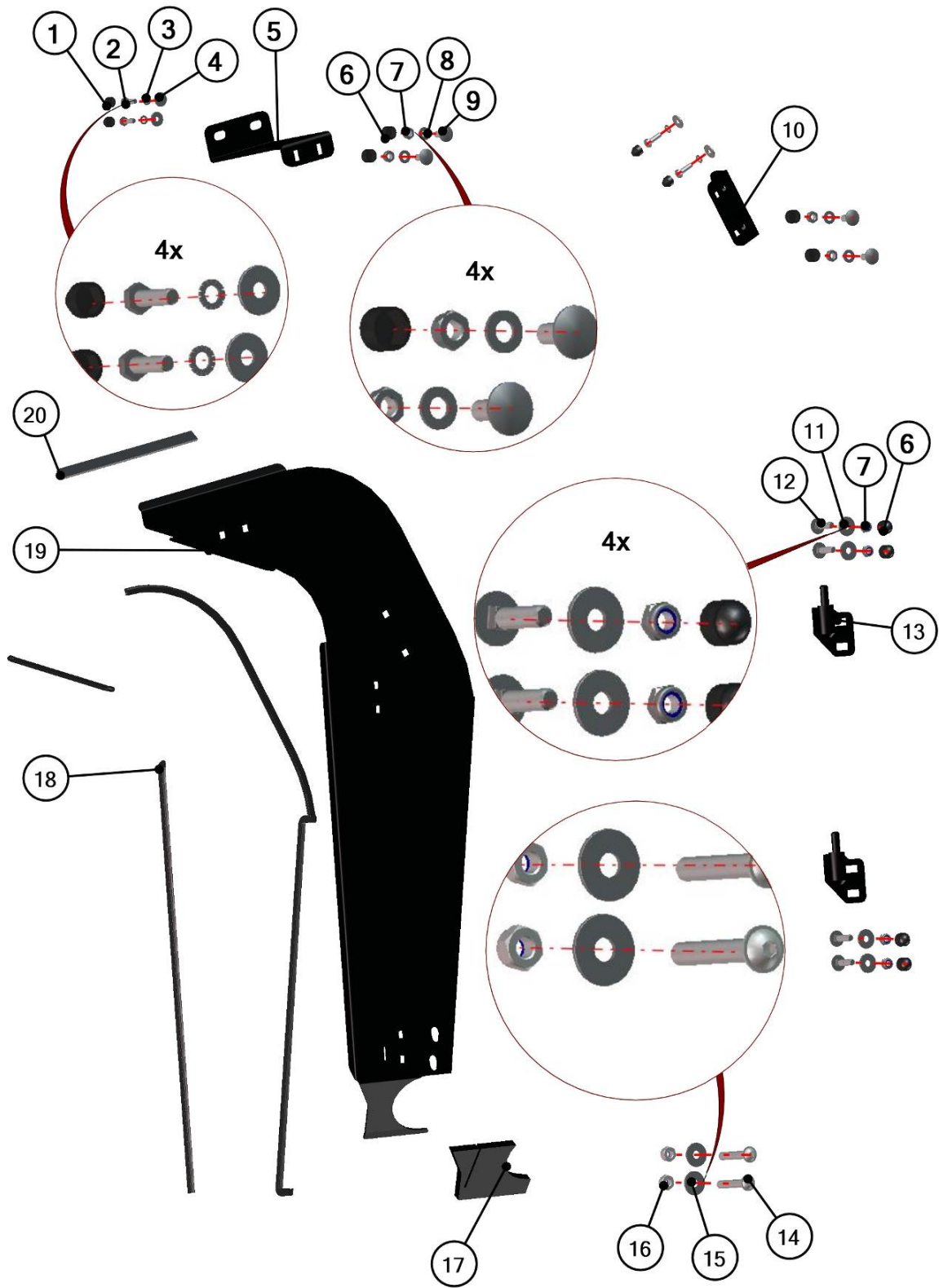
46

Position	Catalogue no.	Description	Qty
1	*****	REAR DOOR ASSEMBLY	1
2	*****	REAR DOOR BASE ASSEMBLY	1

FOR ALL TECHNICAL QUESTIONS, PLEASE CALL
 DFK AMERICA INC.
 (630) 324-8585

REAR DOOR BASE WITH HINGES





Position	Catalogue no.	Description	Qty
1	001348	PLASTIC NUT COVER OK10	4
2	001398	SCREW M6x20	4
3	001488	SERRATED-LOCK WASHER 6	4
4	001337	WASHER 6 LARGE	4
5	50S02U01	LEFT REAR UPPER HOLDER	1
6	001309	PLASTIC NUT COVER OK13	8
7	001388	SELF-LOCKING NUT M8	8
8	001387	WASHER 8	4
9	002575	SCREW M8x25	4
10	50S02U01-40-016	LEFT REAR BASE HOLDER	1
11	001407	WASHER 8 LARGE	4
12	002603	SCREW M8x30	4
13	50S02U01-40W005	LEFT REAR BASE HINGE	2
14	002534	SCREW M10x60	2
15	001487	WASHER 10 LARGE	2
16	002533	SELF-LOCKING NUT M10	2
17	50S02U01-40-022	REAR BASE EPDM	1
18	001001^50S02U01S41	RUBBER PROFILE "LEMOVKA"	1
19	50S02U01-40W003	LEFT REAR DOOR BASE WELDED	1
20	001771^50S02U01S41	SEAL "KR15x4"	1

Position	Catalogue no.	Description	Qty
1	001348	PLASTIC NUT COVER OK10	4
2	001398	SCREW M6x20	4
3	001488	SERRATED-LOCK WASHER 6	4
4	001337	WASHER 6 LARGE	4
5	50S02U01	LEFT REAR UPPER HOLDER	1
6	001309	PLASTIC NUT COVER OK13	8
7	001388	SELF-LOCKING NUT M8	8
8	001387	WASHER 8	4
9	002575	SCREW M8x25	4
10	50S02U01-40-016	LEFT REAR BASE HOLDER	1
11	001407	WASHER 8 LARGE	4
12	002603	SCREW M8x30	4
13	50S02U01-50W005	RIGHT REAR BASE HINGE	2
14	002534	SCREW M10x60	2
15	001487	WASHER 10 LARGE	2
16	002533	SELF-LOCKING NUT M10	2
17	50S02U01-40-022	REAR BASE EPDM	1
18	001001^50S02U01S41	RUBBER PROFILE "LEMOVKA"	1
19	50S02U01-50W003	RIGHT REAR DOOR BASE WELDED	1
20	001771^50S02U01S41	SEAL "KR15x4"	1

FOR ALL TECHNICAL QUESTIONS, PLEASE CALL

DFK AMERICA INC.

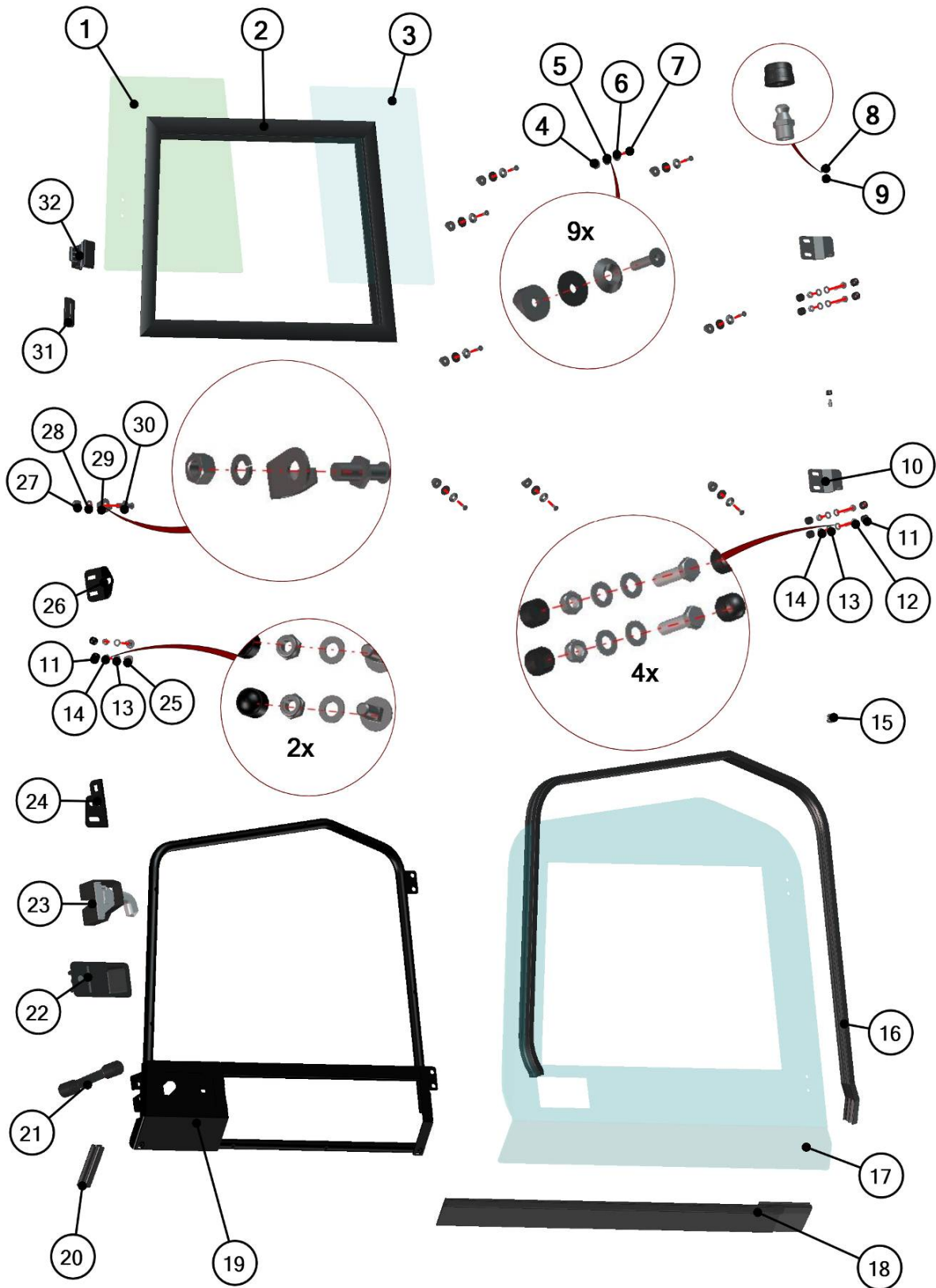
(630) 324-8585

REAR DOOR ASSEMBLY



50

FOR ALL TECHNICAL QUESTIONS, PLEASE CALL
DFK AMERICA INC.
(630) 324-8585



LEFT TABLE

Position	Catalogue no.	Description	Qty
1	50S02U01-40-027	REAR DOOR GLASS MOVABLE	1
2	50S02U01-40-026	LEFT REAR DOOR WINDOW FRAME PVC	1
3	50S02U01-40-028	REAR DOOR GLASS SOLID	1
4	001736	SEAT WASHER 6	9
5	001735	RUBBER WASHER 6	9
6	001715	PLASTIC WASHER 6	9
7	002120	SCREW M6x25	9
8	001431	LUBRICATOR COVER	2
9	001430	LUBRICATOR	2
10	50S02U01-40W006	LEFT REAR DOOR HINGE	2
11	001309	PLASTIC NUT COVER OK13	10
12	001411	SCREW M8x30	4
13	001387	WASHER 8	10
14	001388	SELF-LOCKING NUT M8	6
15	002313	BLIND	1
16	002454^50S02U01S41	RUBBER PROFILE "SARAZIN SIDE"	1
17	50S02U01-40-017	LEFT REAR DOOR PANEL POLY	1
18	001668^50S02U01S41	RUBBER PROFILE "BRUSH"	1
19	50S02U01-40W004	LEFT REAR DOOR FRAME WELDED	1
20	002658^50S02U01S41	RUBBER PROFILE "PIRELA G STRAIGHT"	1
21	001703	HANDLE	1
22	000841	OUTER DOOR LOCK	1
23	001743	LEFT INNER DOOR LOCK	1
24	50S02U01-40-030	LEFT REAR DOOR HOLDER	1
25	002575	SCREW M8x25	2
26	50S02U01-40-029	LEFT REAR DOOR LOCK HOLDER	1
27	000856	DOOR STOP NUT	1
28	000857	DOOR STOP WASHER	1
29	000855	DOOR STOP HOOK	1
30	000854	DOOR STOP PIN	1
31	001762	GLASS STOP	1
32	001700	GLASS LOCK	1








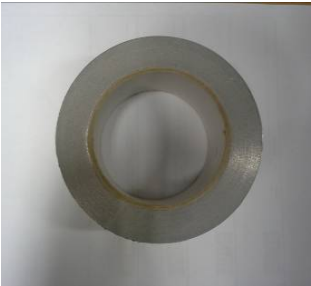

RIGHT TABLE

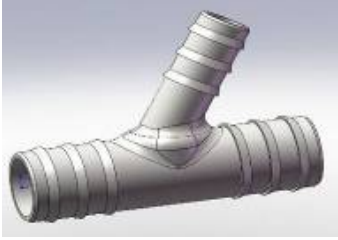






Position	Catalogue no.	Description	Qty
1	50S02U01-40-027	REAR DOOR GLASS MOVABLE	1
2	50S02U01-50-026	RIGHT REAR DOOR WINDOW FRAME PVC	1
3	50S02U01-40-028	REAR DOOR GLASS SOLID	1
4	001736	SEAT WASHER 6	9
5	001735	RUBBER WASHER 6	9
6	001715	PLASTIC WASHER 6	9
7	002120	SCREW M6x25	9
8	001431	LUBRICATOR COVER	2
9	001430	LUBRICATOR	2
10	50S02U01-50W006	RIGHT REAR DOOR HINGE	2
11	001309	PLASTIC NUT COVER OK13	10
12	001411	SCREW M8x30	4
13	001387	WASHER 8	10
14	001388	SELF-LOCKING NUT M8	6
15	002313	BLIND	1
16	002454^50S02U01S41	RUBBER PROFILE "SARAZIN SIDE"	1
17	50S02U01-50-017	RIGHT REAR DOOR PANEL POLY	1
18	001668^50S02U01S41	RUBBER PROFILE "BRUSH"	1
19	50S02U01-50W004	RIGHT REAR DOOR FRAME WELDED	1
20	002658^50S02U01S41	RUBBER PROFILE "PIRELA G STRAIGHT"	1
21	001703	HANDLE	1
22	000841	OUTER DOOR LOCK	1
23	001744	RIGHT INNER DOOR LOCK	1
24	50S02U01-50-030	RIGHT REAR DOOR HOLDER	1
25	002575	SCREW M8x25	2
26	50S02U01-50-029	RIGHT REAR DOOR LOCK HOLDER	1
27	000856	DOOR STOP NUT	1
28	000857	DOOR STOP WASHER	1
29	000855	DOOR STOP HOOK	1
30	000854	DOOR STOP PIN	1
31	001762	GLASS STOP	1
32	001700	GLASS LOCK	1

ELECTROINSTALLATION

Position	Catalogue no.	Description	Qty
1	000968	SWITCH WIPER /WASHER /OFF	1
2	000885	WASHER TANK	1
3	001576	WASHER MOTOR	1
4	001652	FUSE BOX	3
5	002764	WIPER MOTOR 12V	1
6	50S02U01-01M001	WIPER HARNESS	1
7	50S02U01-02-001	HEATER HOLDER	1
8	002491	AIR VENT VALVE	1
9	002386	ELECTROMAGNETIC VALVE	1
10	001367	TIGHTENING STRAP 12-22MM	6
11	002524	TIGHTENING STRAP 16-27MM	10
12	002643	TIGHTENING STRAP 21-38MM	2
13	001368	TIGHTENING STRAP 40-60MM	4
14	002635	AIR VENT SIDE	2
15	002379	AIR VENT STRAIGHT	2
16	002795	AIR HOSE	1
17	002705	AL SELFGLUED TAPE	1
18	32S05U01-02M003	HEATER TUBE "T"	1
19	002502	HEATER TUBE "Y"	1
20	002391	EL.VENT SWITCH	1
21	002702	HEATER SWITCH	1
22	50S02U01-02M001	HEATER HARNESS	1
23	000896	HEATER HOSE	1
24	002624	HEATER	1
25	50S02U01-03M001	WASHER HARNESS	1

<p>Position : 1</p>	<p>Position : 2</p>	<p>Position : 3</p>
<p>Catalogue no.: 000968</p>	<p>Catalogue no.: 000885</p>	<p>Catalogue no.: 001576</p>
<p>Position : 4</p>	<p>Position : 5</p>	<p>Position : 6</p>
<p>Catalogue no.: 001652</p>	<p>Catalogue no.: 002764</p>	<p>Catalogue no.: 32S05U01-01M001</p>
<p>Position : 7</p>	<p>Position : 8</p>	<p>Position : 9</p>
<p>Catalogue no.: 50S02U01-02-001</p>	<p>Catalogue no.: 002491</p>	<p>Catalogue no.: 002386</p>

		
Position : 10	Position : 11	Position : 12
Catalogue no.: 001367	Catalogue no.: 002524	Catalogue no.: 002643
		
Position : 13	Position : 14	Position : 15
Catalogue no.: 001368	Catalogue no.: 002635	Catalogue no.: 002739
		
Position : 16	Position : 17	Position : 18
Catalogue no.: 002795	Catalogue no.: 002705	Catalogue no.: 32S05U01-02M003

		
<p>Position : 19 Catalogue no.: 002502</p>	<p>Position :20 Catalogue no.: 002391</p>	<p>Position : 21 Catalogue no.: 002702</p>
		
<p>Position : 22 Catalogue no.: 50S02U01-02M001</p>	<p>Position : 23 Catalogue no.: 000896</p>	<p>Position : 24 Catalogue no.: 002624</p>
		
<p>Position : 25 Catalogue no.: 50S02U01-03M001</p>		