



SPARE - PARTS CATALOG


HONDA
PIONEER 1000

HardCabs →

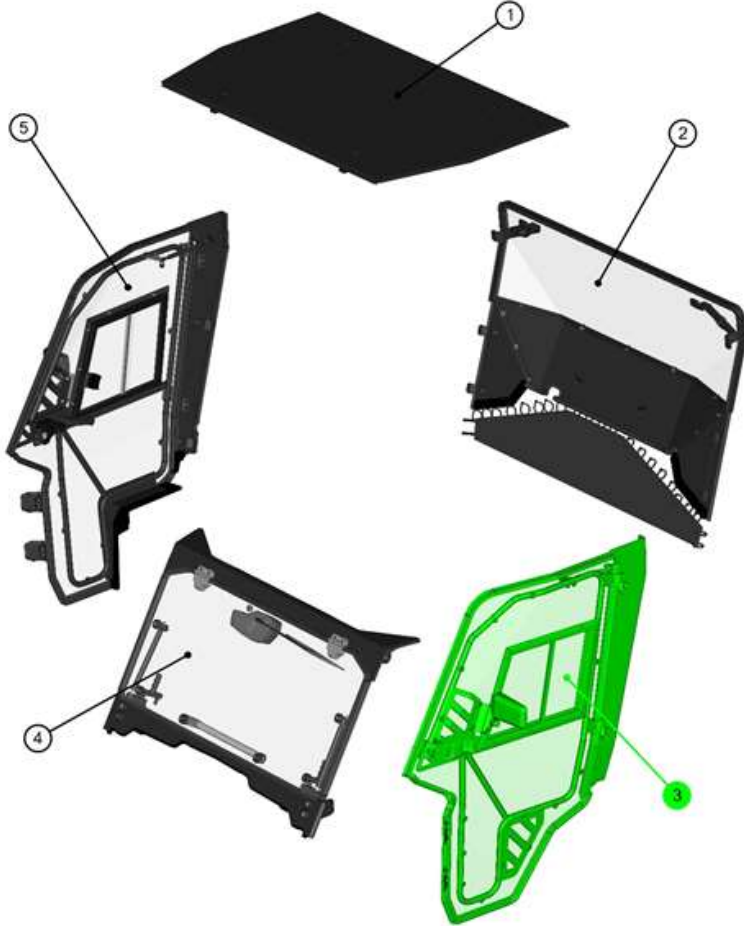
FOR ALL QUESTIONS OR PART ORDERS, PLEASE CALL
DFK AMERICA INC.
630-324-6793, OPTION 3

SEARCH INSTRUCTIONS

1. Select the panel that interests you and go to the appropriate catalog page.



HONDA
PIONEER 1000



5

ID	Catalogue no.	Description	Qty	Page
1	XXSXXUXXSXX	ROOF PANEL	1	19
2	XXSXXUXXSXX	REAR PANEL	1	22
3	XXSXXUXXSXX	LEFT DOOR	1	32
4	XXSXXUXXSXX	FRONT PANEL	1	7
5	XXSXXUXXSXX	RIGHT DOOR	1	46

DFK Cab, s.r.o.
Za Olšavkou 391, Uherské Hradiště 686 01
Czech republic

Tel: +420 572 520 061,3
Fax: +420 572 520 071
E-mail: dfk@dfk.cz

www.dfk.cz
www.forkliftcabs.eu
www.forkliftcabins.com

HONDA PIONEER 1000

LEFT DOOR ASSEMBLIES

ID	Catalogue no.	Description	Qty
1	XXSXXUXX-XXMXXX	LEFT DOOR ASSEMBLY	1
2	XXSXXUXX-XXMXXX	GAS SPRING ASSEMBLY	1
3	XXSXXUXX-XXMXXX	LEFT DOOR BASE ASSEMBLY	1
4	XXSXXUXX-XXMXXX	HINGE SPACE COVER	2
5	XXSXXUXX-XXMXXX	DOOR STOP ASSEMBLY	1

DFK Cab, s.r.o. Za Olšávkou 391, Uherské Hradiště 686 01 Czech republic
Tel: +420 572 520 061,3 Fax: +420 572 520 071 E-mail: gfu@dfk.cz www.dfk.cz www.forkliftcabs.eu www.forkliftcabs.com

2. Select the name of assembly that interests you (box description).

ID	Catalogue no.	Description	Qty
1	XXSXXUXX-XXMXXX	LEFT DOOR ASSEMBLY	1
2	XXSXXUXX-XXMXXX	GAS SPRING ASSEMBLY	1
3	XXSXXUXX-XXMXXX	LEFT DOOR BASE ASSEMBLY	1
4	XXSXXUXX-XXMXXX	HINGE SPACE COVER	2
5	XXSXXUXX-XXMXXX	DOOR STOP ASSEMBLY	1

Tel: +420 572 520 061,3
Hradiště 686 01 Fax: +420 572 520 071
E-mail: gfu@dfk.cz

3. Find the page with the same headline like the name of selected items.

LEFT DOOR BASE ASSEMBLY

4. Repeat the previous steps to find required part.

5. If you wish to order something please send us relevant Catalogue no. + Description

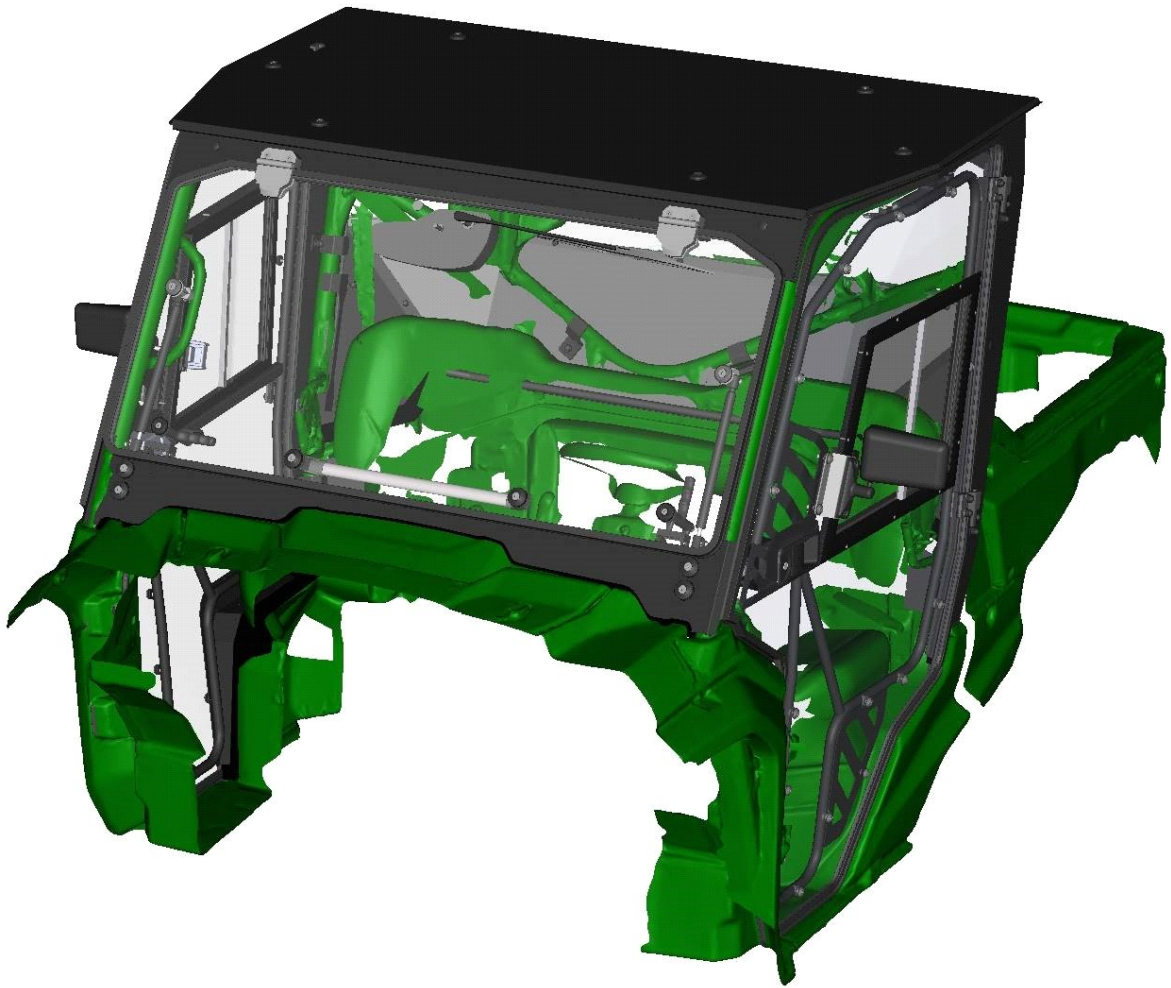
HONDA PIONEER 1000

LEFT DOOR BASE ASSEMBLY

ID	Catalogue no.	Description	Qty
1	50S02U02-40M011	LEFT DOOR BASE	1
2	50S02U02-40M003	LEFT DOOR BASE HINGE	2
3	50S02U02-40M006	DOOR BASE HOLDER	3

DFK Cab, s.r.o. Za Olšávkou 391, Uherské Hradiště 686 01 Czech republic
Tel: +420 572 520 061,3 Fax: +420 572 520 071 E-mail: gfu@dfk.cz www.dfk.cz www.forkliftcabs.eu www.forkliftcabs.com

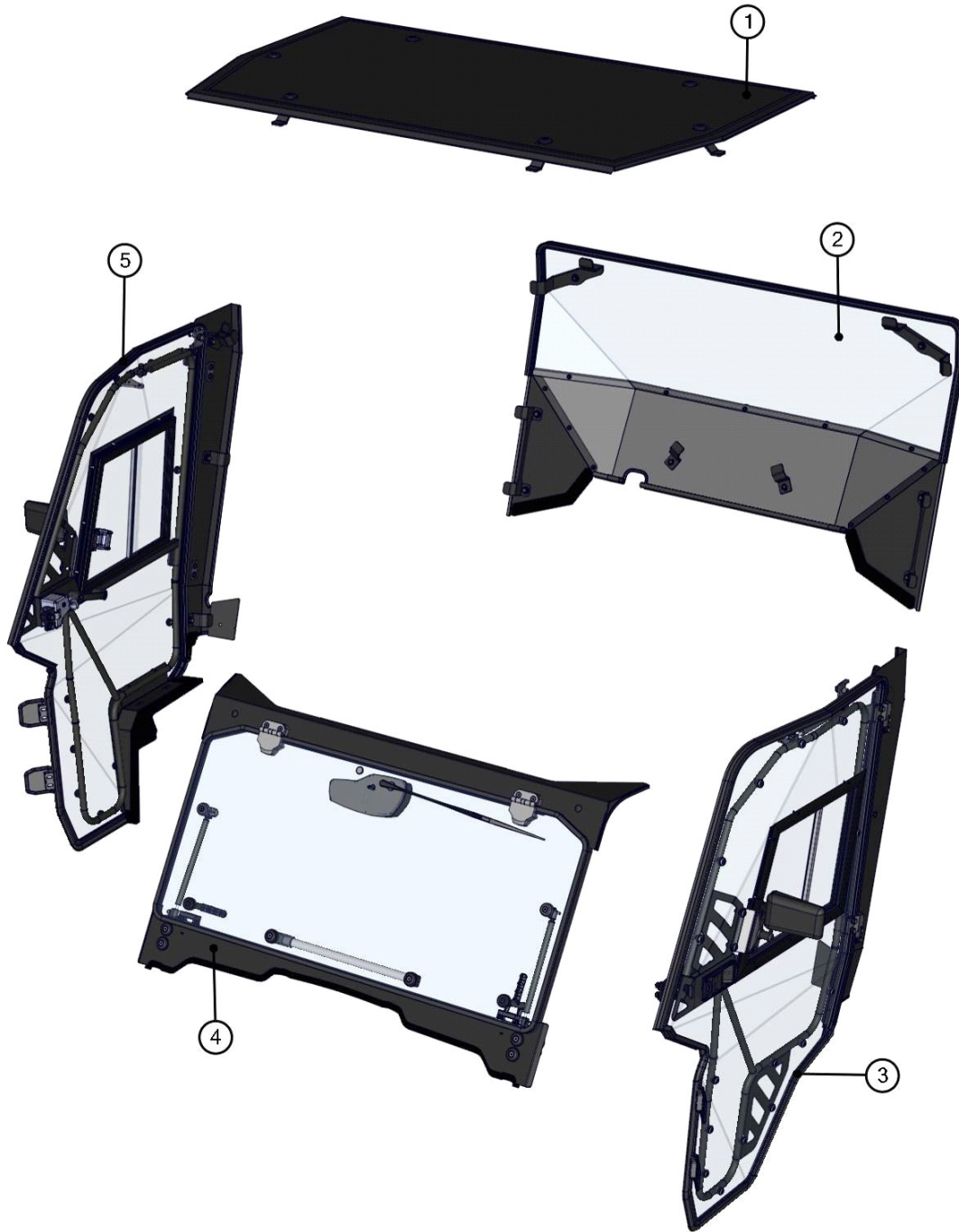
CAB PREVIEW



4

FOR ALL QUESTIONS OR PART ORDERS, PLEASE CALL
DFK AMERICA INC.
630-324-8585, OPTION 3

CAB PANELS



5

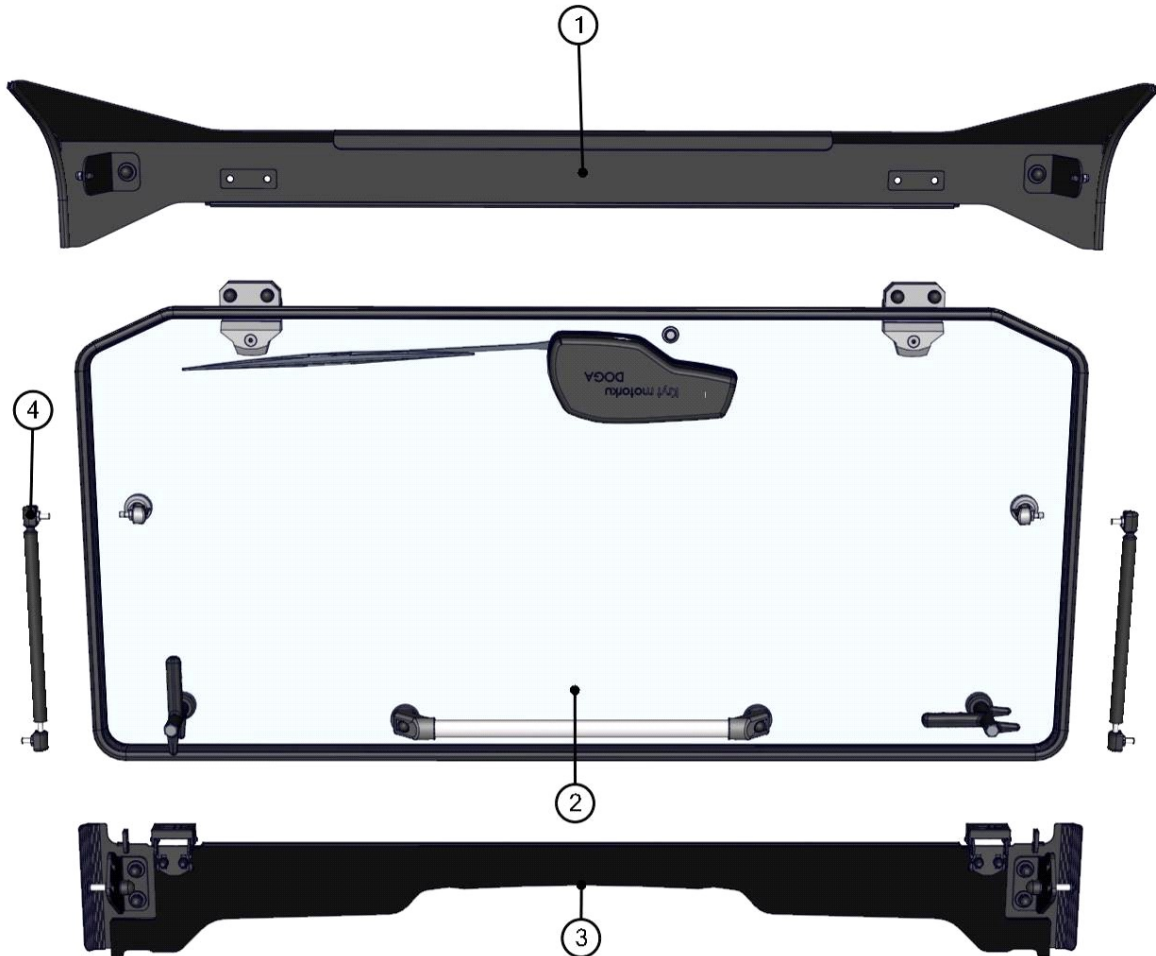
ID	Catalogue no.	Description	Qty	Page
1	50S02U02S30	ROOF PANEL	1	19
2	50S02U02S20	REAR PANEL	1	22
3	50S02U02S40	LEFT DOOR	1	39
4	50S02U02S10	FRONT PANEL	1	7
5	50S02U02S50	RIGHT DOOR	1	55

FOR ALL QUESTIONS OR PART ORDERS, PLEASE CALL
DFK AMERICA INC.
630-324-8585, OPTION 3

FRONT PANEL



FRONT PANEL ASSEMBLIES

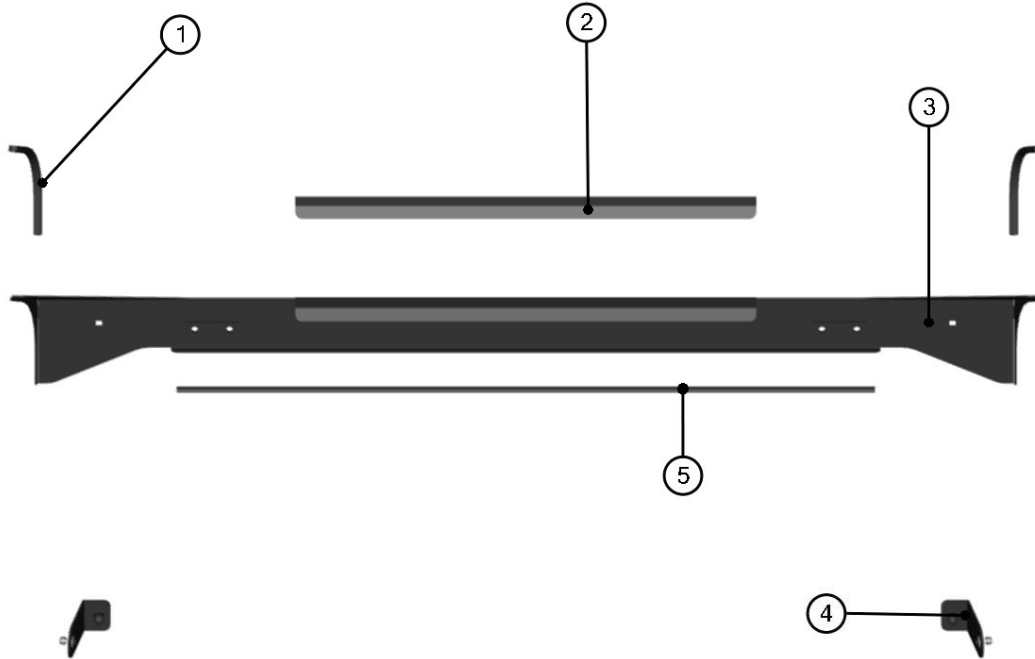


7

ID	Catalogue no.	Description	Qty
1	50S02U02-10M003	FRONT UPPER LEDGE ASSEMBLY	1
2	50S02U02-10M006	FRONT WINDOW ASSEMBLY	1
3	50S02U02-10M002	FRONT BOTTOM LEDGE ASSEMBLY	1
4	50S02U02-10M008	FRONT WINDOW GAS SPRING	2

FOR ALL QUESTIONS OR PART ORDERS, PLEASE CALL
DFK AMERICA INC.
630-324-8585, OPTION 3

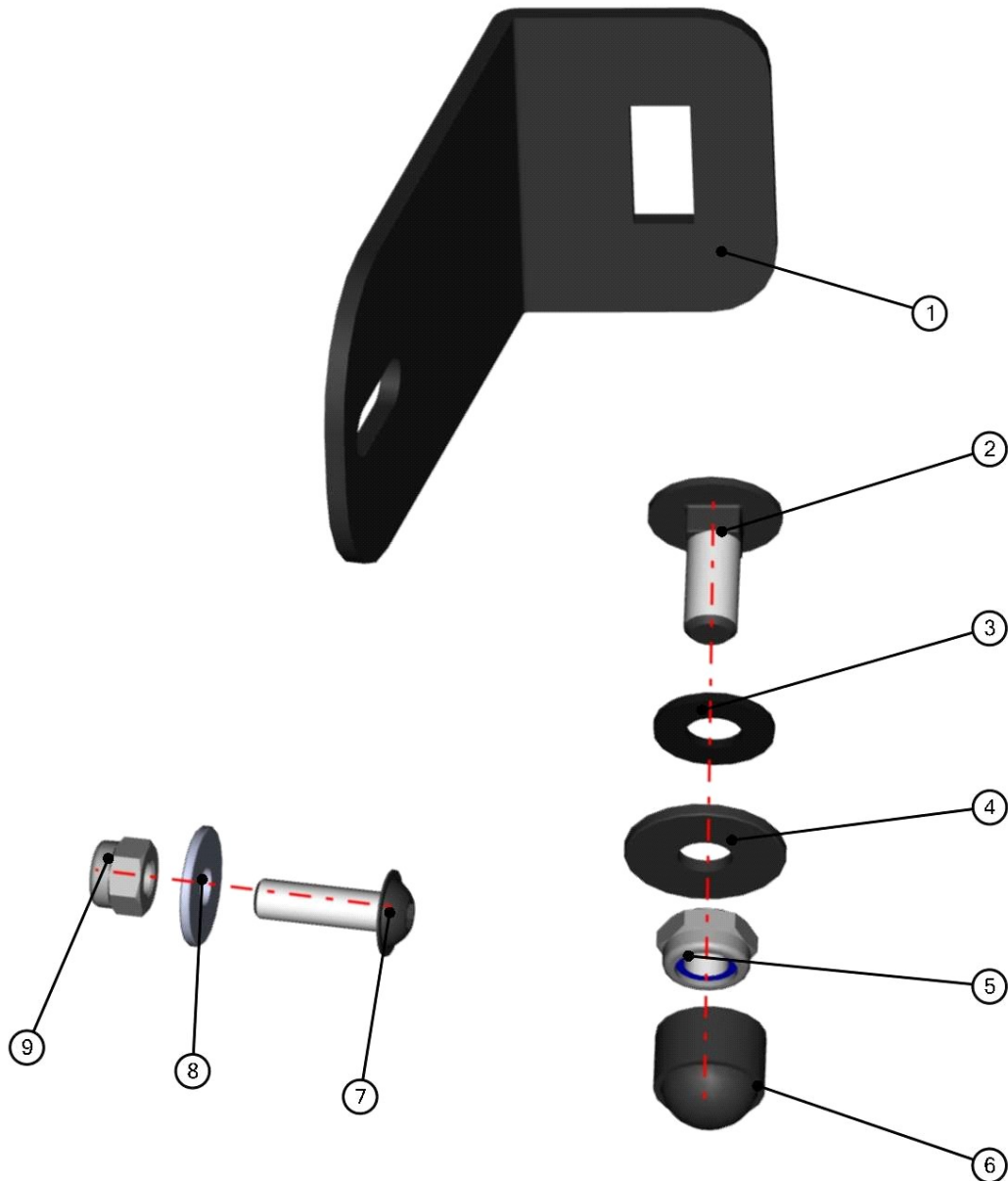
FRONT UPPER LEDGE ASSEMBLY



ID	Catalogue no.	Description	Qty
1	004134^50S02U02-10M011	RUBBER SEALING	1
2	50S02U02-10-014	RUBBER PROFILE	1
3	50S02U02-10W001	FRONT UPPER LEDGE WELDED	1
4	50S02U02-10M005	FRONT UPPER LEDGE HOLDER	2
5	001001^50S02U02-10M011	RUBBER SEALING	1

FOR ALL QUESTIONS OR PART ORDERS, PLEASE CALL
DFK AMERICA INC.
630-324-8585, OPTION 3

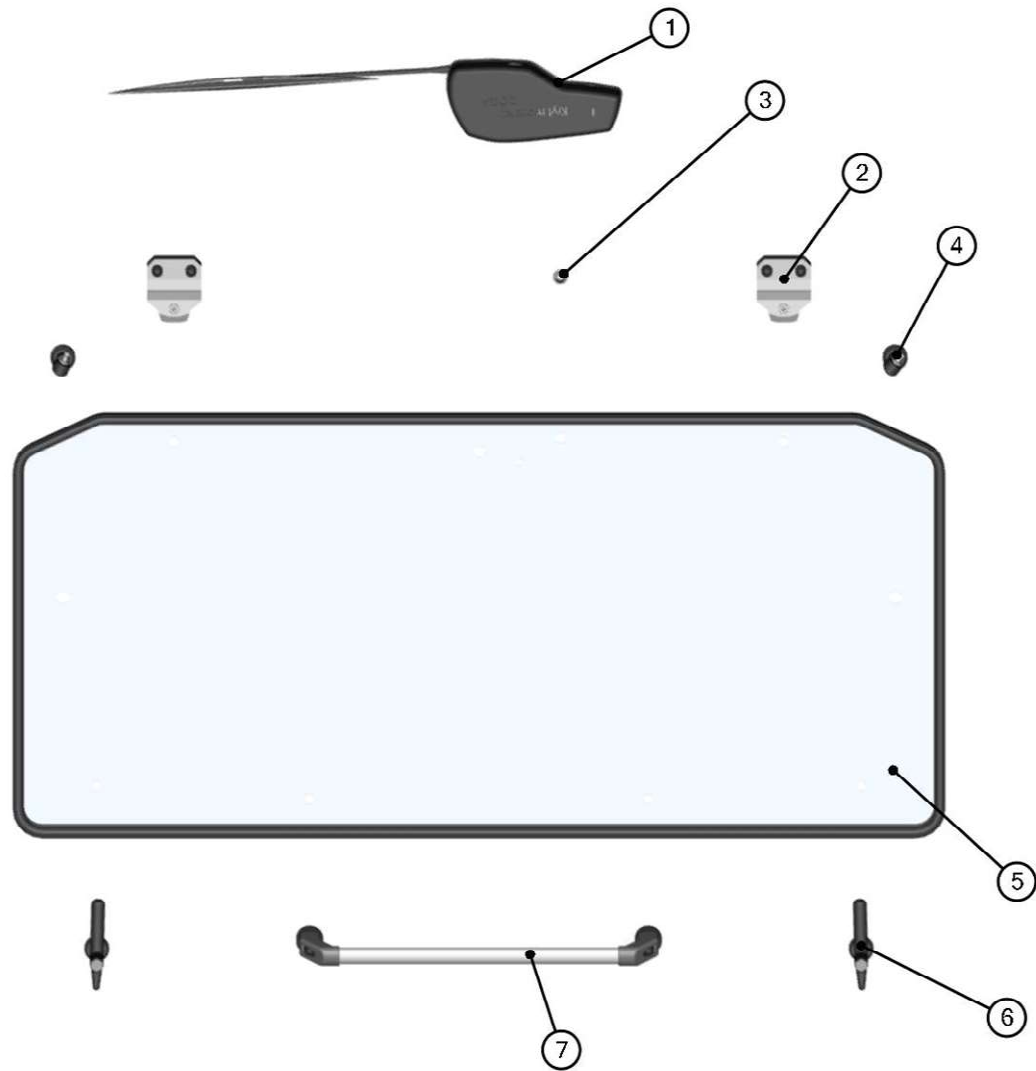
FRONT UPPER LEDGE HOLDER



ID	Catalogue no.	Description	Qty
1	50S02U02-10-008	FRONT UPPER LEDGE HOLDER	1
2	002575	SCREW M8x20	1
3	004566	RUBBER WASHER	1
4	003322	WASHER 8	1
5	001388	SELF-LOCKING NUT M8	1
6	001309	PLASTIC COVER	1
7	002192	SCREW M6x20	1
8	004318	WASHER 6	1
9	001392	SELF LOCKING NUT M6	1

FOR ALL QUESTIONS OR PART ORDERS, PLEASE CALL
DFK AMERICA INC.
630-324-8585, OPTION 3

FRONT WINDOW ASSEMBLY



10

ID	Catalogue no.	Description	Qty
1	50S02U02-10M012	WIPER ASSEMBLY	1
2	00-10M012	FRONT PANEL HINGE ASSEMBLY	2
3	00-01-005	RUBBER GROMMET	1
4	00-20M005	UPPER GAS SPRING HOLDER	2
5	50S02U02-10M001	FRONT GLASS WITH SEALING	1
6	00-10M026	FRONT WINDOW LOCK	2
7	00-113U-M001	FRONT WINDOW HANDLE ASSEMBLY	1

FOR ALL QUESTIONS OR PART ORDERS, PLEASE CALL
DFK AMERICA INC.
630-324-8585, OPTION 3

WIPER ASSEMBLY

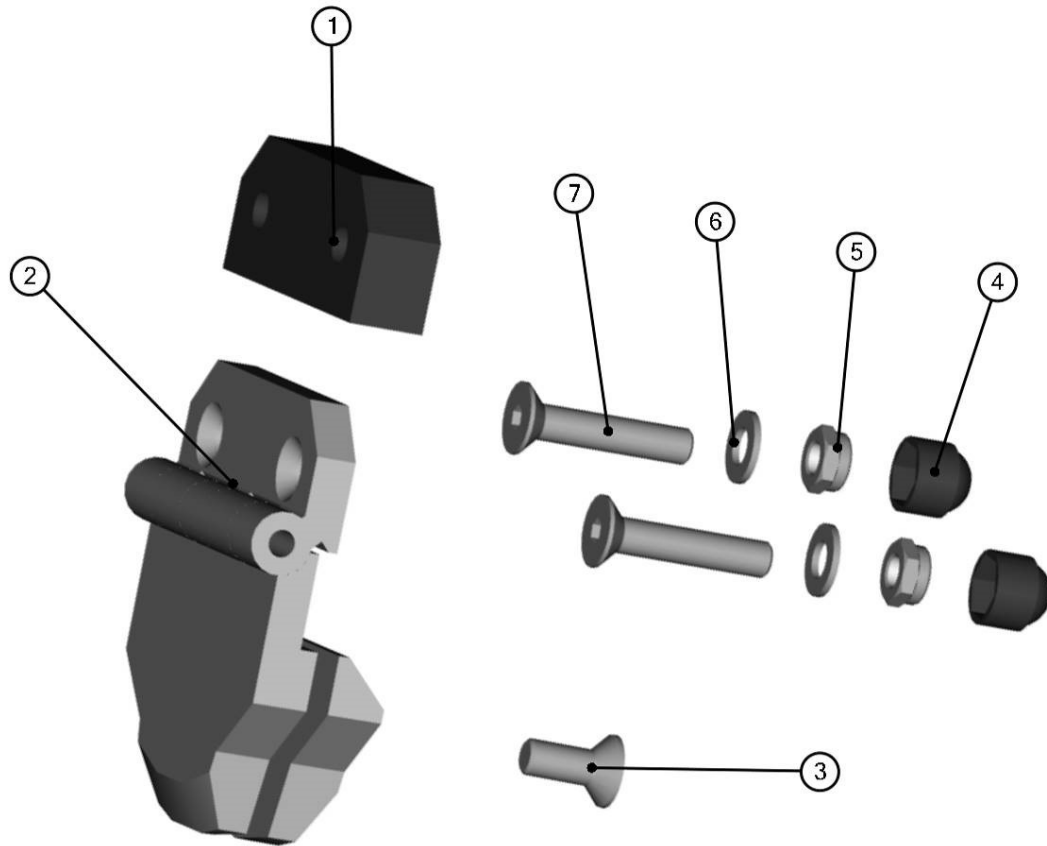


11

ID	Catalogue no.	Description	Qty
1	00-10M028	WIPER MOTOR	1
2	001764	WIPER ARM	1
3	002538	WIPER BLADE	1

FOR ALL QUESTIONS OR PART ORDERS, PLEASE CALL
DFK AMERICA INC.
630-324-8585, OPTION 3

FRONT PANEL HINGE ASSEMBLY

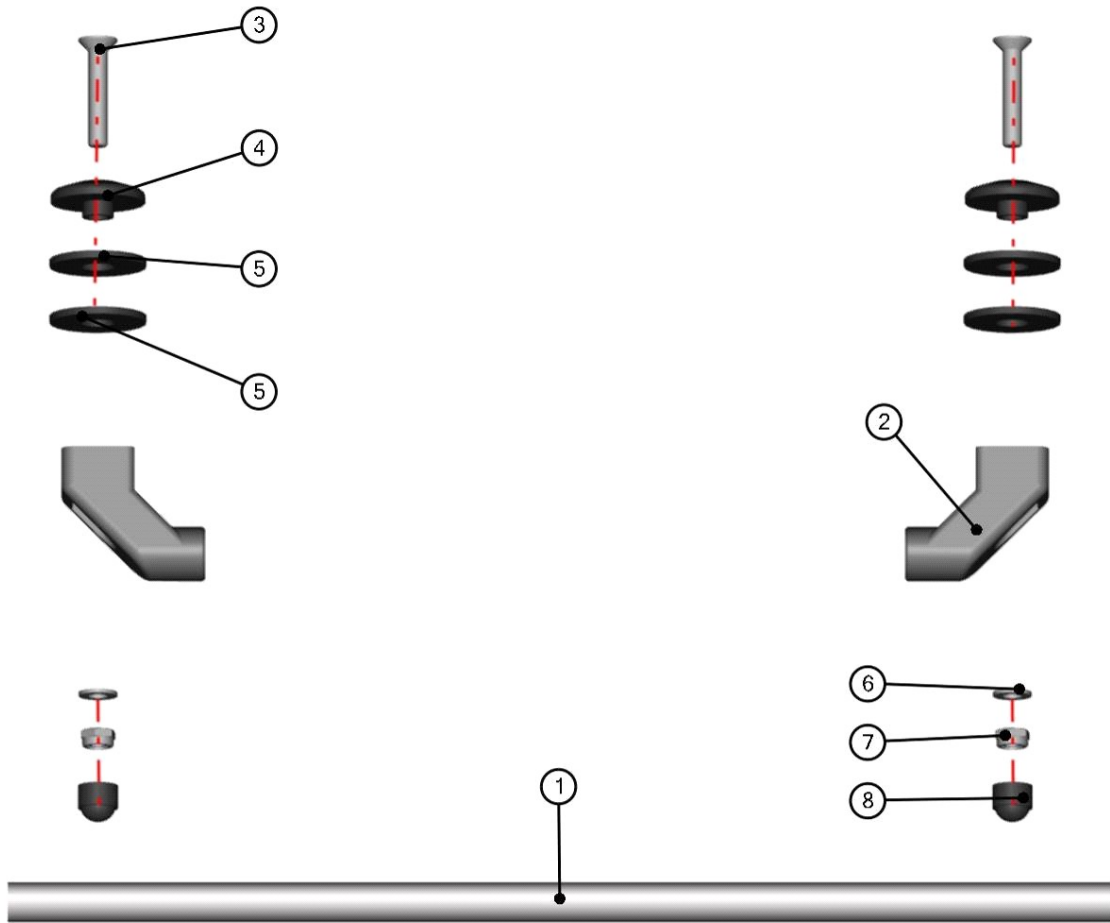


12

ID	Catalogue no.	Description	Qty
1	000863	PLASTIC WASHER	1
2	000862	HINGE ASSEMBLY	1
3	002784	SCREW M8x20	1
4	001309	PLASTIC COVER OK 13	2
5	001388	SELF-LOCKING NUT M8	2
6	001387	WASHER 8	2
7	002607	SCREW M8x40	2

FOR ALL QUESTIONS OR PART ORDERS, PLEASE CALL
DFK AMERICA INC.
630-324-8585, OPTION 3

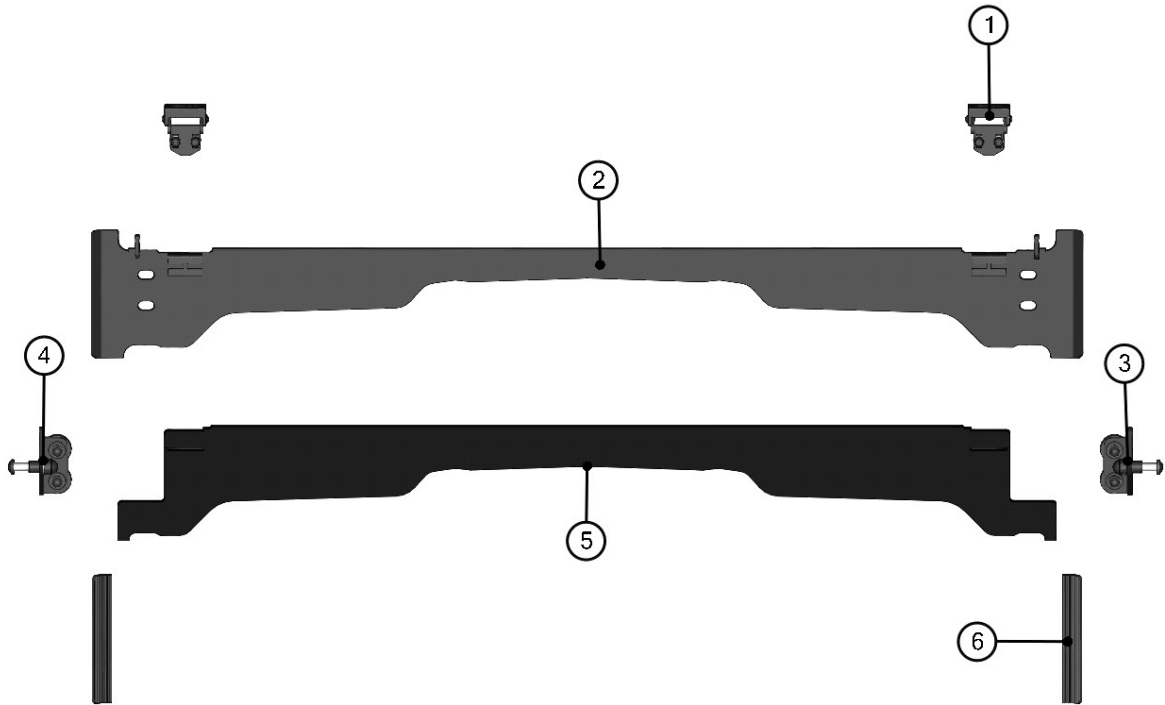
FRONT WINDOW HANDLE ASSEMBLY



ID	Catalogue no.	Description	Qty
1	002496	HANDLE PIPE	1
2	002496	HANDLE HOLDER	2
3	001694	SCREW M8x45	2
4	001429	PLASTIC WASHER	2
5	001428	RUBBER NOG	4
6	001387	WASHER 8	2
7	001388	SELF-LOCKING NUT M8	2
8	001309	PLASTIC COVER	2

FOR ALL QUESTIONS OR PART ORDERS, PLEASE CALL
DFK AMERICA INC.
630-324-8585, OPTION 3

FRONT BOTTOM LEDGE ASSEMBLY

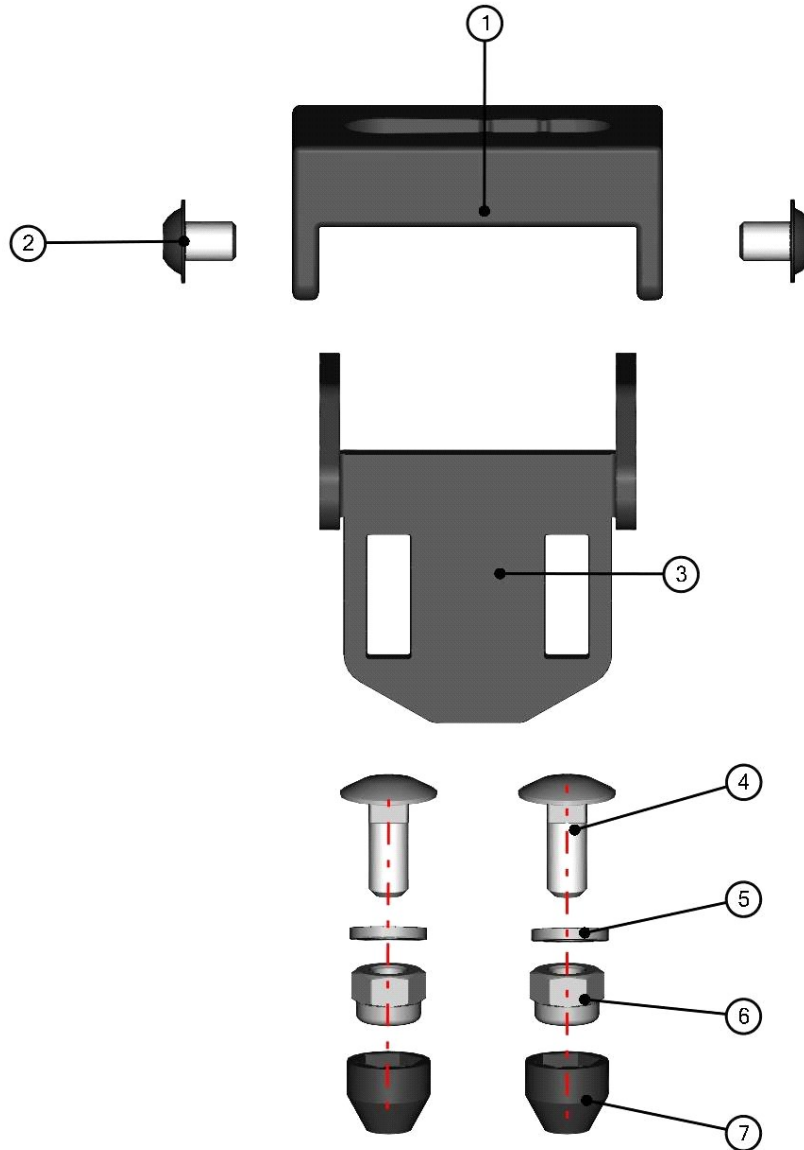


14

ID	Catalogue no.	Description	Qty
1	50S02U02-10M009	FRONT WINDOW STOP	2
2	50S02U02-10W002	FRONT BOTTOM LEDGE WELDED	1
3	50S02U02-10M015	RIGHT BOTTOM LEDGE HOLDER ASSEMBLY	1
4	50S02U02-10M013	RIGHT BOTTOM LEDGE HOLDER ASSEMBLY	1
5	50S02U02-10-005	FRONT BOTTOM LEDGE EPDM	1
6	001771^50S02U02-10M002	RUBBER SEALING KR 15x4	1

FOR ALL QUESTIONS OR PART ORDERS, PLEASE CALL
DFK AMERICA INC.
630-324-8585, OPTION 3

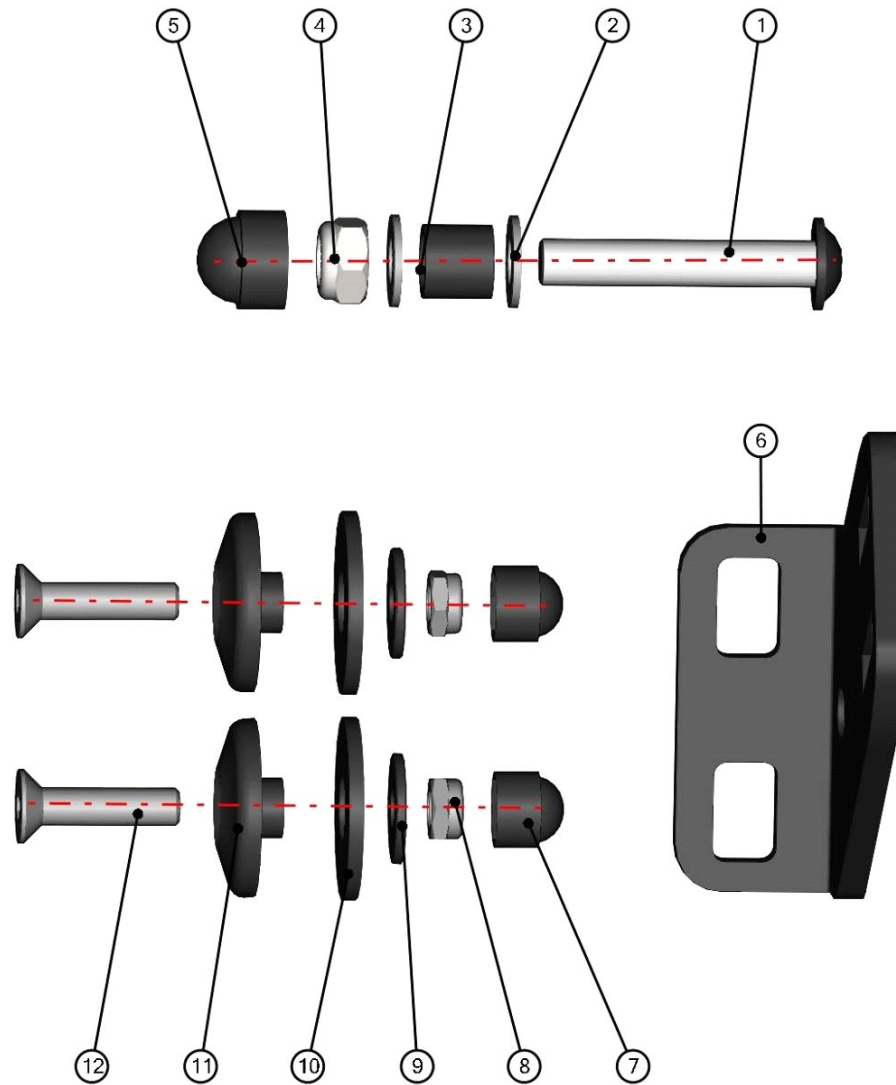
FRONT WINDOW STOP



ID	Catalogue no.	Description	Qty
1	004856	UPPER FRONT WINDOW STOP	1
2	004386	SCREW M6x8	2
3	50S02U02-10-013	BOTTOM FRONT WINDOW STOP	1
4	004529	SCREW M6x16	2
5	001426	WASHER 6	2
6	001392	SELF-LOCKING NUT M6	2
7	001348	PLASTIC NUT COVER OK 10	2

FOR ALL QUESTIONS OR PART ORDERS, PLEASE CALL
DFK AMERICA INC.
630-324-8585, OPTION 3

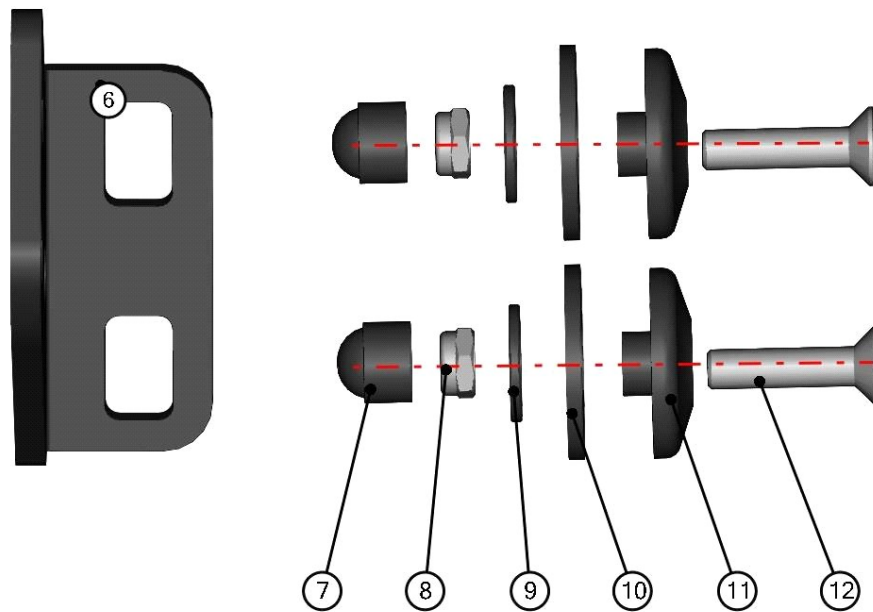
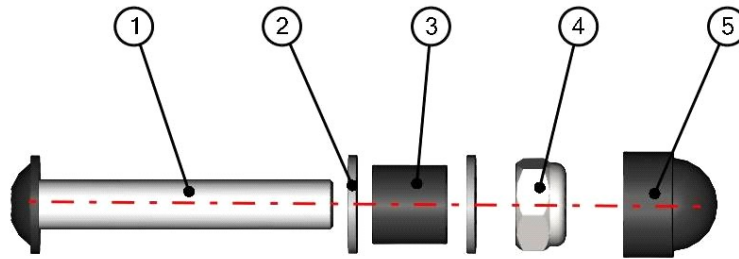
RIGHT BOTTOM LEDGE HOLDER ASSEMBLY



ID	Catalogue no.	Description	Qty
1	004547	SCREW M10x60	1
2	004447	WASHER 8	2
3	50S02U02-10-004	SPACER TUBE	1
4	002533	SELF-LOCKING NUT M10	1
5	002363	PLASTIC NUT COVER OK 17	1
6	50S02U02-10-016	RIGHT FRONT BOTTOM LEDGE HOLDER	1
7	001309	PLASTIC NUT COVER OK 13	2
8	001388	SELF-LOCKING NUT M8	2
9	003322	RIVET WASHER 8	2
10	001428	RUBBER WASHER 8	2
11	001429	RUBBER NOG	2
12	001760	SCREW M8x35	2

FOR ALL QUESTIONS OR PART ORDERS, PLEASE CALL
DFK AMERICA INC.
630-324-8585, OPTION 3

LEFT BOTTOM LEDGE HOLDER ASSEMBLY



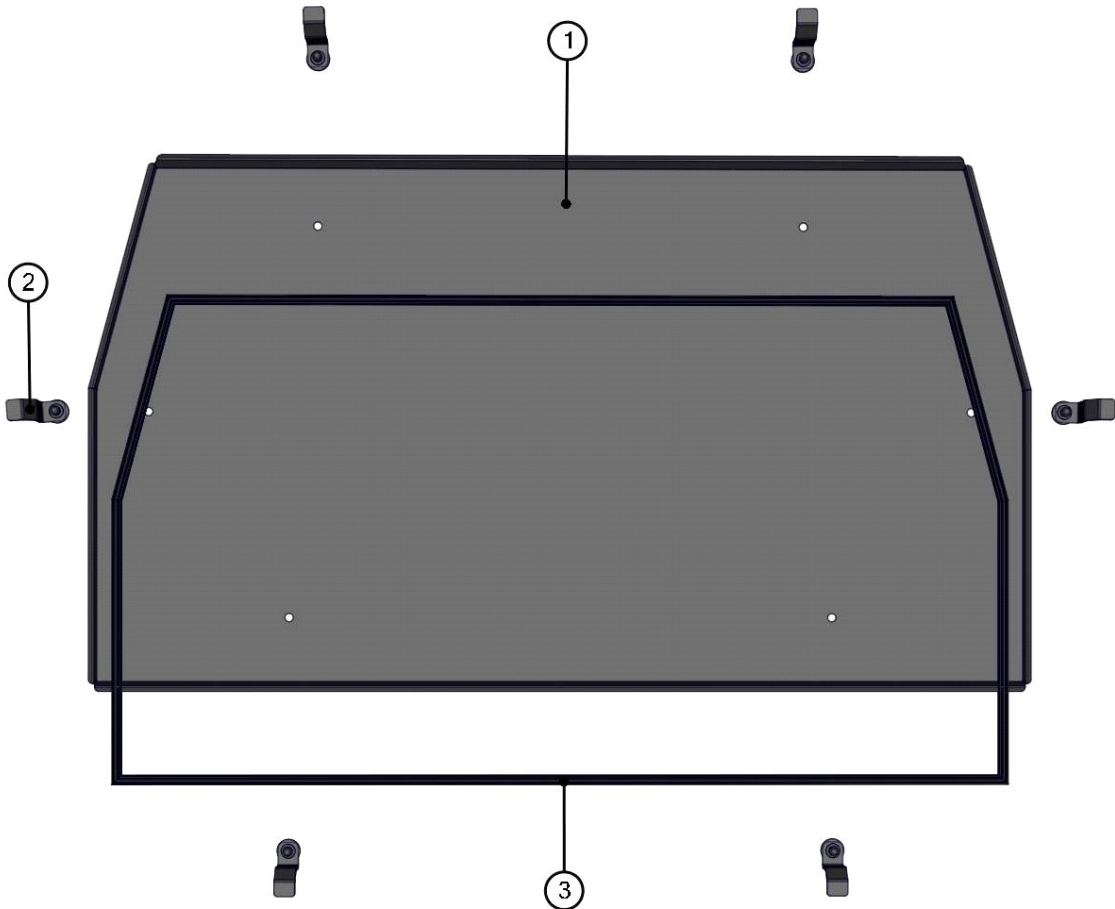
ID	Catalogue no.	Description	Qty
1	004547	SCREW M10x60	1
2	004447	WASHER 8	2
3	50S02U02-10-004	SPACER TUBE	1
4	002533	SELF-LOCKING NUT M10	1
5	002363	PLASTIC NUT COVER OK 17	1
6	50S02U02-10-016	LEFT FRONT BOTTOM LEDGE HOLDER	1
7	001309	PLASTIC NUT COVER OK 13	2
8	001388	SELF-LOCKING NUT M8	2
9	003322	RIVET WASHER 8	2
10	001428	RUBBER WASHER 8	2
11	001429	RUBBER NOG	2
12	001760	SCREW M8x35	2

ROOF



18

ROOF ASSEMBLY

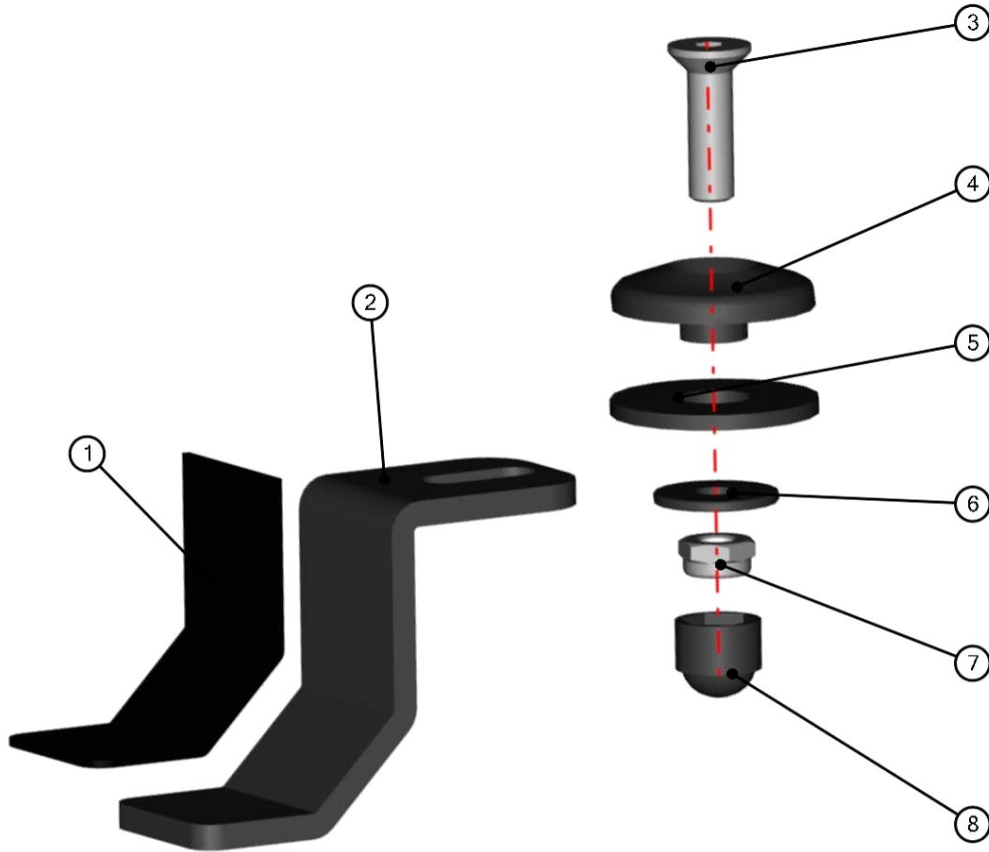


19

ID	Catalogue no.	Description	Qty
1	50S02U02-30-001	ROOF PANEL	1
2	50S02U02-30M002	ROOF HOLDER ASSEMBLY	6
3	001010^50S02U02-30M001	RUBBER SEALING "SARAZIN"	1

FOR ALL QUESTIONS OR PART ORDERS, PLEASE CALL
DFK AMERICA INC.
630-324-8585, OPTION 3

ROOF HOLDER ASSEMBLY

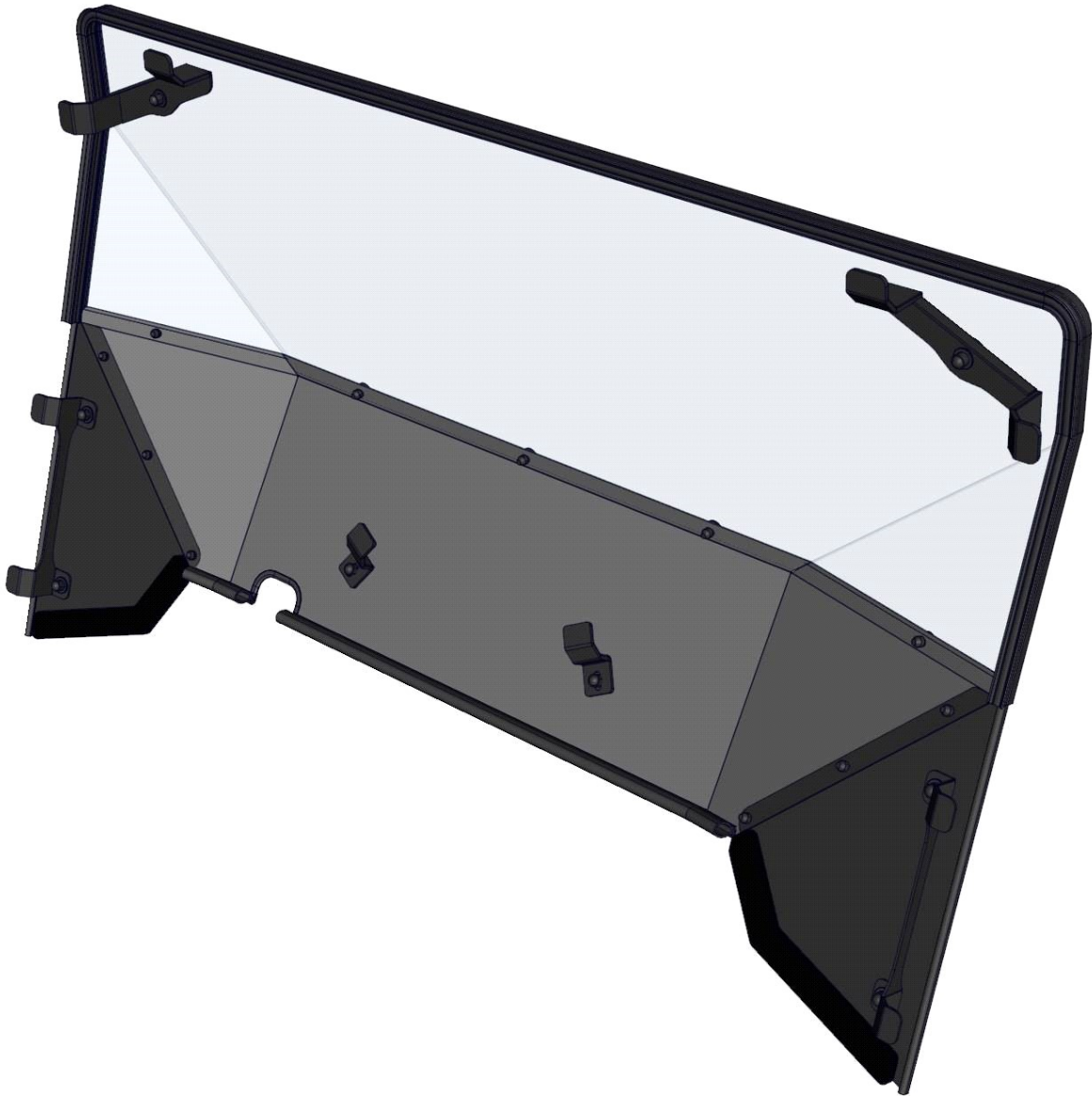


20

ID	Catalogue no.	Description	Qty
1	50S02U02-30-003	RUBBER	1
2	50S02U02-30-002	ROOF HOLDER	1
3	002121	SCREW M8x35	1
4	001429	PLASTIC NOG	1
5	001428	RUBBER WASHER	1
6	003322	WASHER 8	1
7	001388	SELF-LOCKING NUT M8	1
8	001309	PLASTIC COVER	1

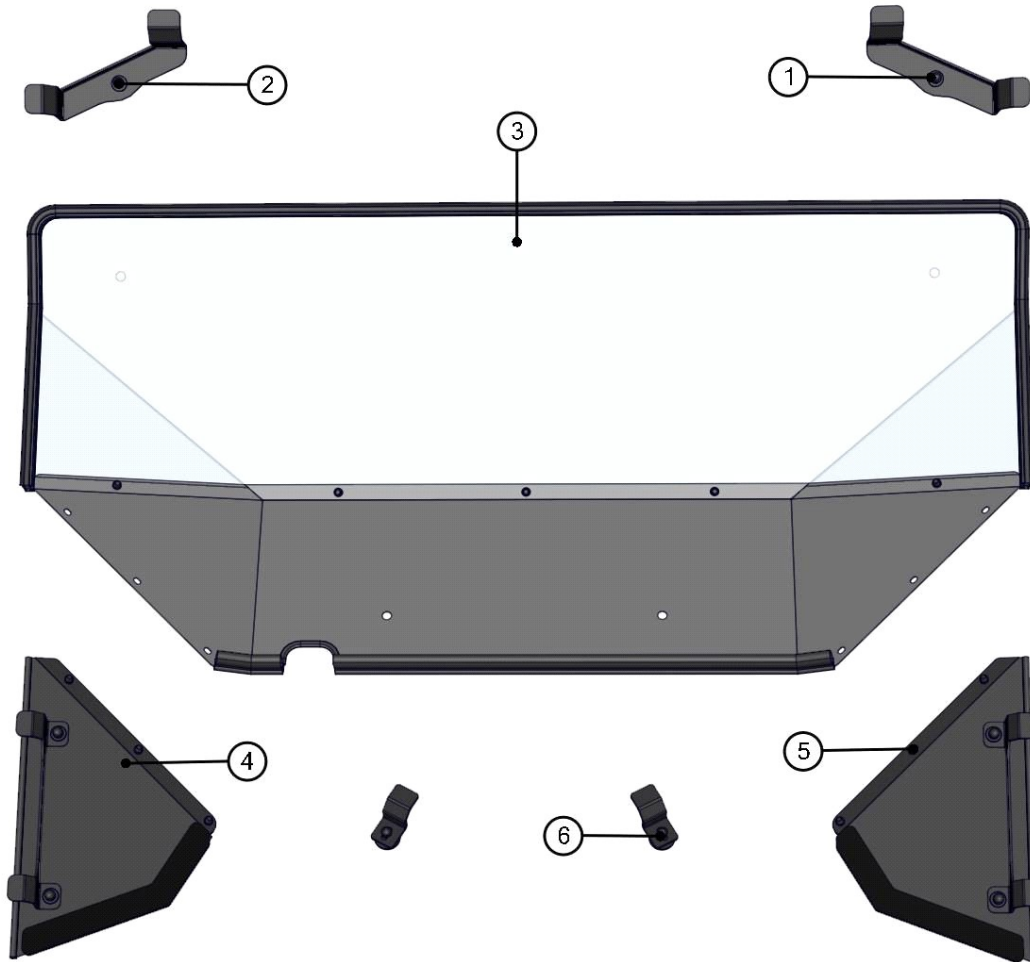
FOR ALL QUESTIONS OR PART ORDERS, PLEASE CALL
DFK AMERICA INC.
630-324-8585, OPTION 3

REAR PANEL



21

REAR PANEL ASSEMBLIES

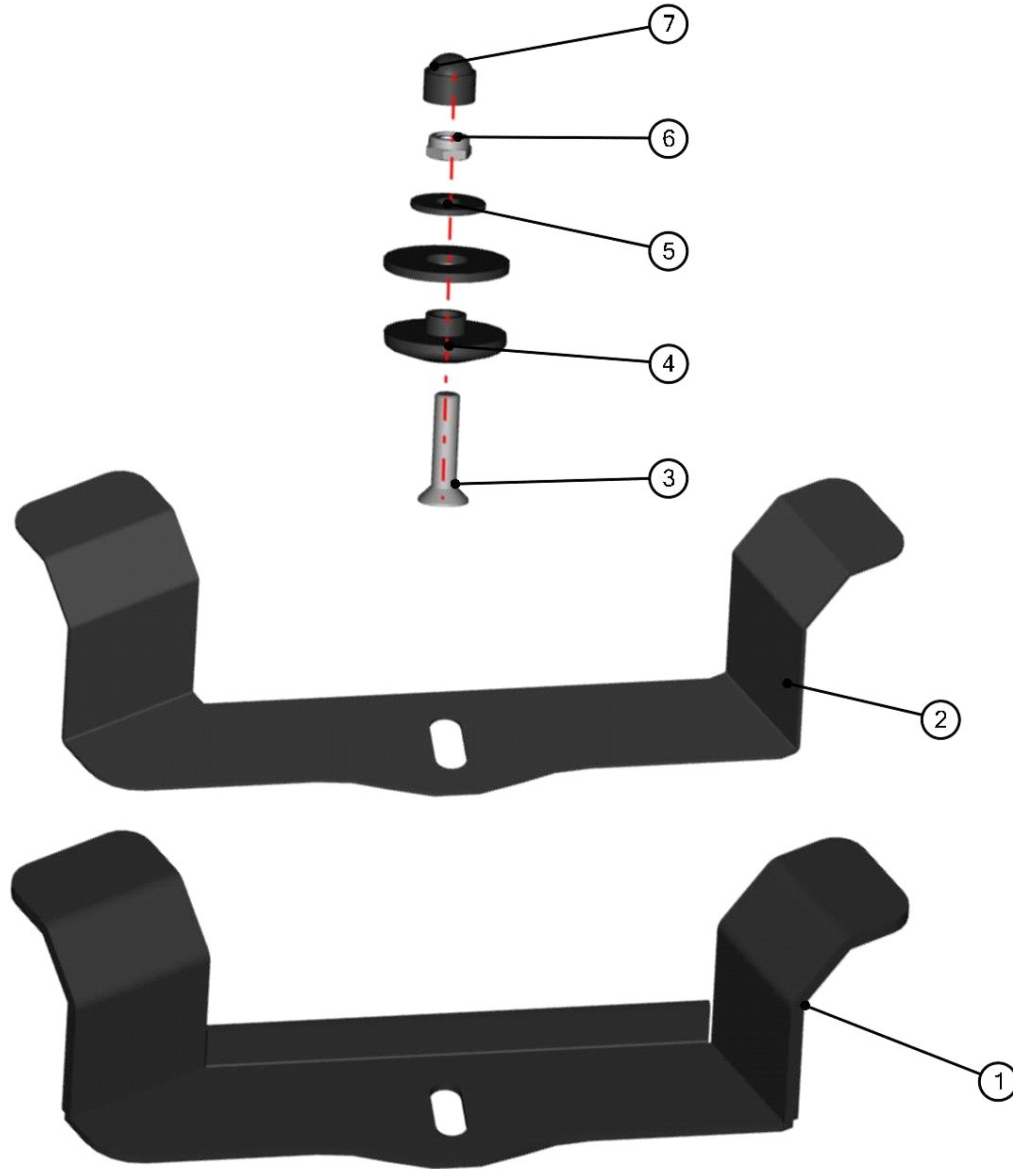


22

ID	Catalogue no.	Description	Qty
1	50S02U02-20M005	LEFT UPPER RAER PANEL HOLDER ASSEMBLY	1
2	50S02U02-20M008	RIGHT UPPER REAR PANEL HOLDER ASSEMBLY	1
3	50S02U02-20M001	REAR PANEL WITH GLASS ASSEMBLY	1
4	50S02U02-20M011	RIGHT BOTTOM REAR PANEL ASSEMBLY	1
5	50S02U02-20M009	LEFT BOTTOM REAR PANEL ASSEMBLY	1
6	50S02U02-20M004	REAR PANEL HOLDER ASSEMBLY	2

FOR ALL QUESTIONS OR PART ORDERS, PLEASE CALL
DFK AMERICA INC.
630-324-8585, OPTION 3

LEFT UPPER REAR PANEL HOLDER ASSEMBLY

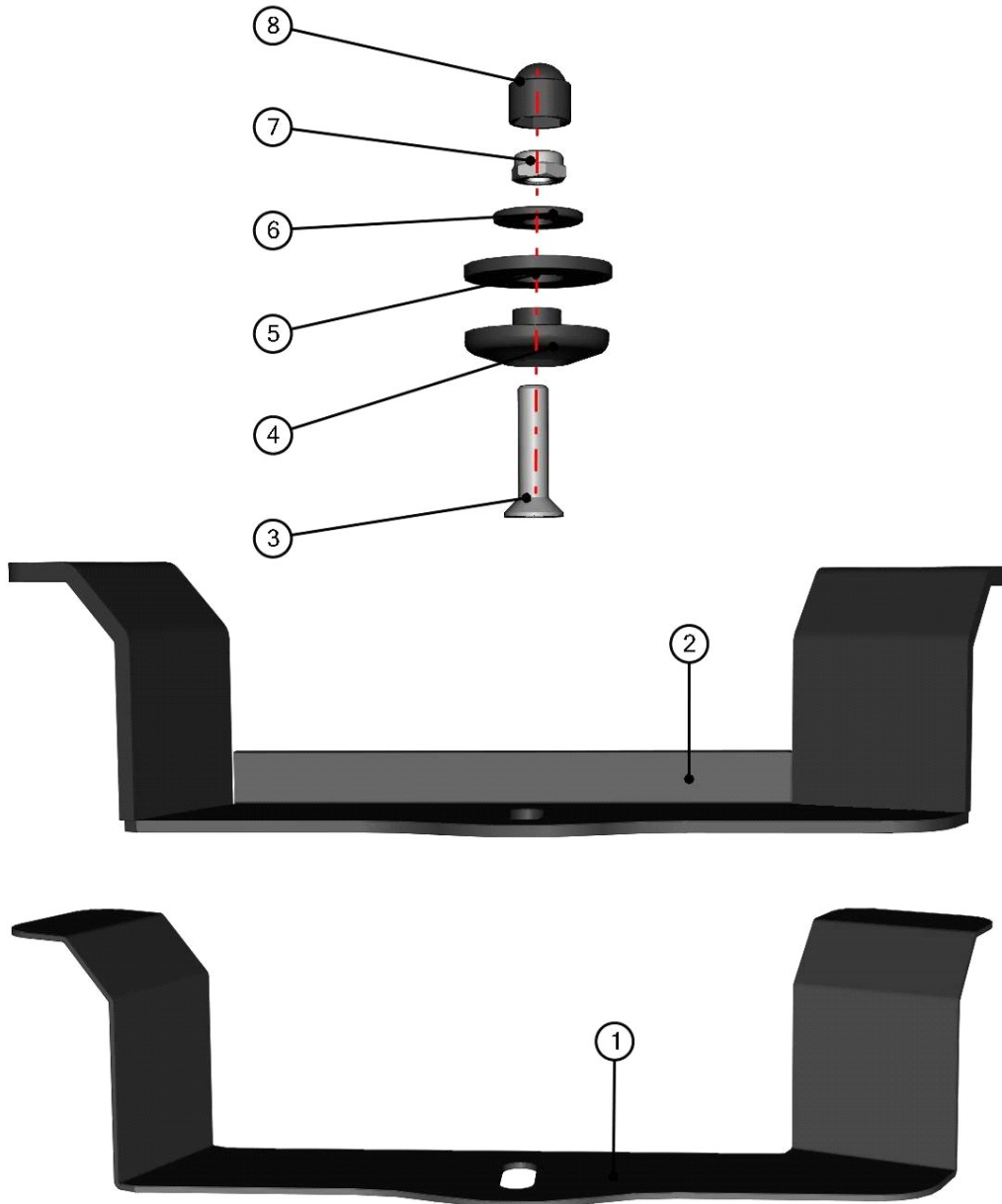


23

ID	Catalogue no.	Description	Qty
1	50S02U02-20W001	LEFT UPPER REAR PANEL HOLDER WELDED	1
2	50S02U02-20-012	RUBBER	1
3	001760	SCREW M8x35	1
4	001429	PLASTIC NOG	1
5	003322	WASHER 8	1
6	001388	SELF-LOCKING NUT	1
7	001309	PLACSTIC COVER	1

FOR ALL QUESTIONS OR PART ORDERS, PLEASE CALL
DFK AMERICA INC.
630-324-8585, OPTION 3

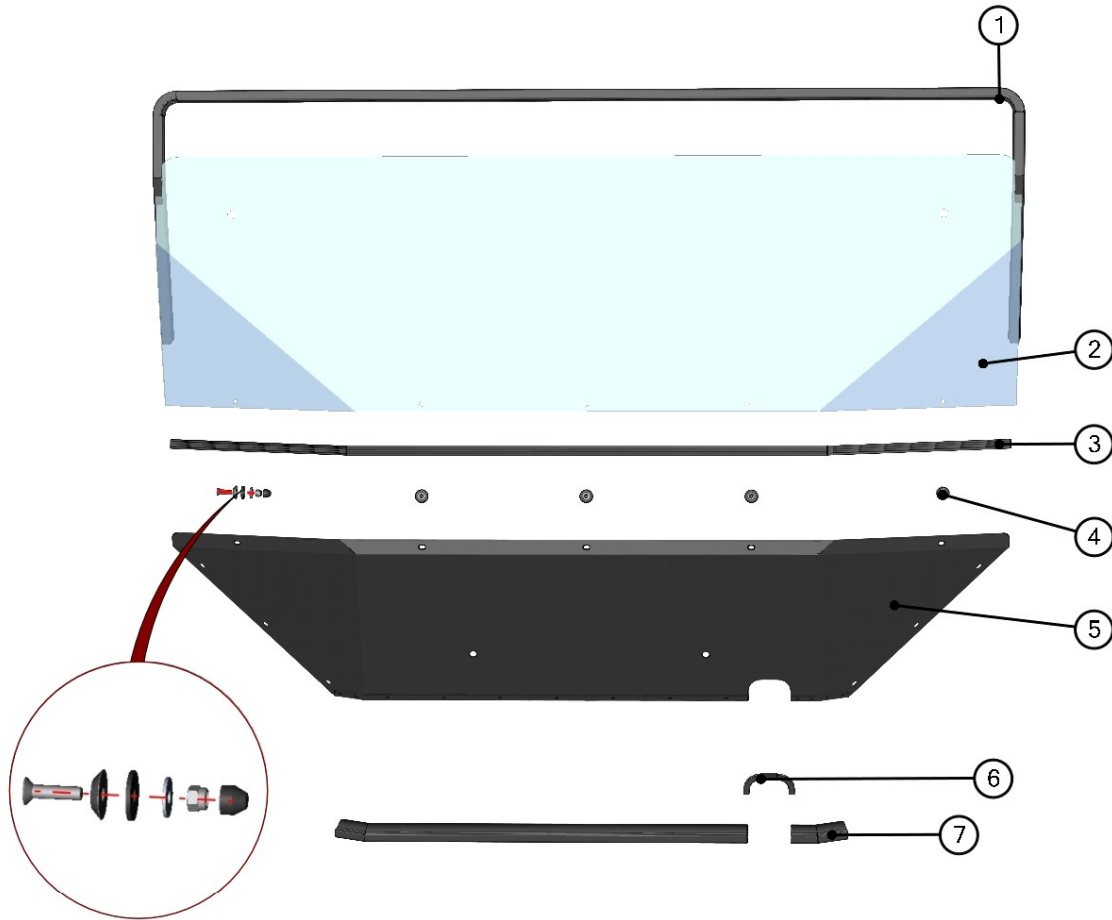
RIGHT UPPER REAR PANEL HOLDER ASSEMBLY



ID	Catalogue no.	Description	Qty
1	50S02U02-20-012	RUBBER	1
2	50S02U02-20W002	RIGHT UPPER REAR PANEL HOLDER	1
3	001760	SCREW M8x35	1
4	001429	PLASTIC NOG	1
5	001428	RUBBER WASHER	1
6	003322	WASHER 8	1
7	001388	SELF LOCKING NUT	1
8	001309	PLASTIC COVER	1

FOR ALL QUESTIONS OR PART ORDERS, PLEASE CALL
DFK AMERICA INC.
630-324-8585, OPTION 3

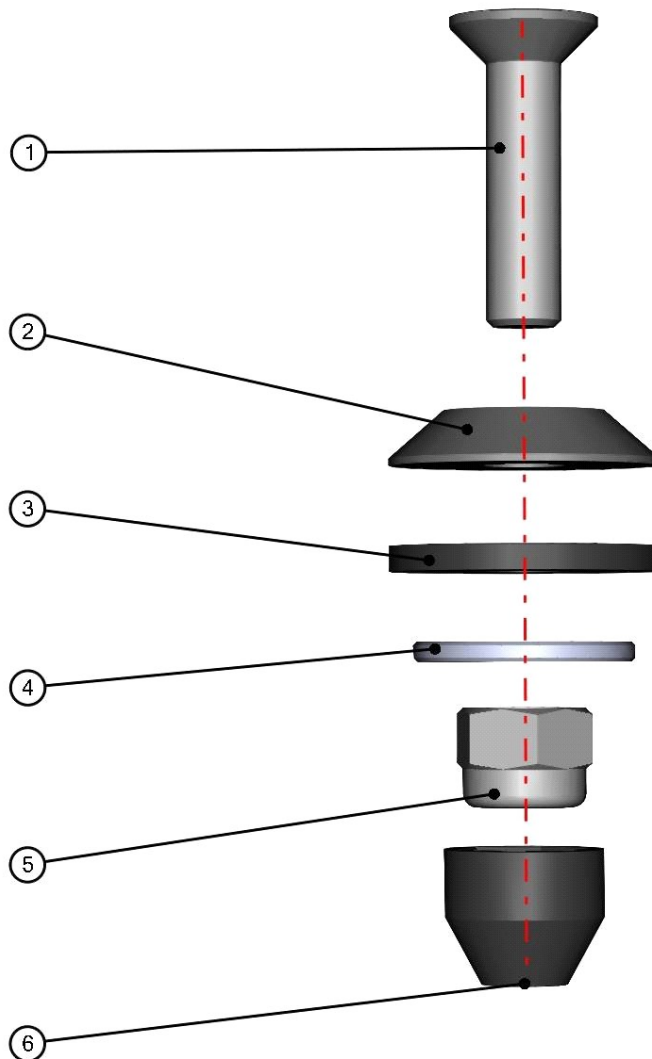
REAR PANEL WITH GLASS ASSEMBLY



25

ID	Catalogue no.	Description	Qty
1	002454^50S02U02-20M001	GLASS SEALING "SARAZIN"	1
2	50S02U02-20-001	REAR GLASS	1
3	001771^50S02U02-20M001	RUBBER PROFILE KR 15x4	1
4	50S02U02-20M003	REAR PANEL FIXING ASSEMBLY	5
5	50S02U02-20W003	REAR PANEL WELDED	1
6	001001^50S02U02-20M001	RUBBER PROFILE "LEMOVKA"	1
7	004359^50S02U02-20M001	RUBBER PROFILE "PIRELA"	1

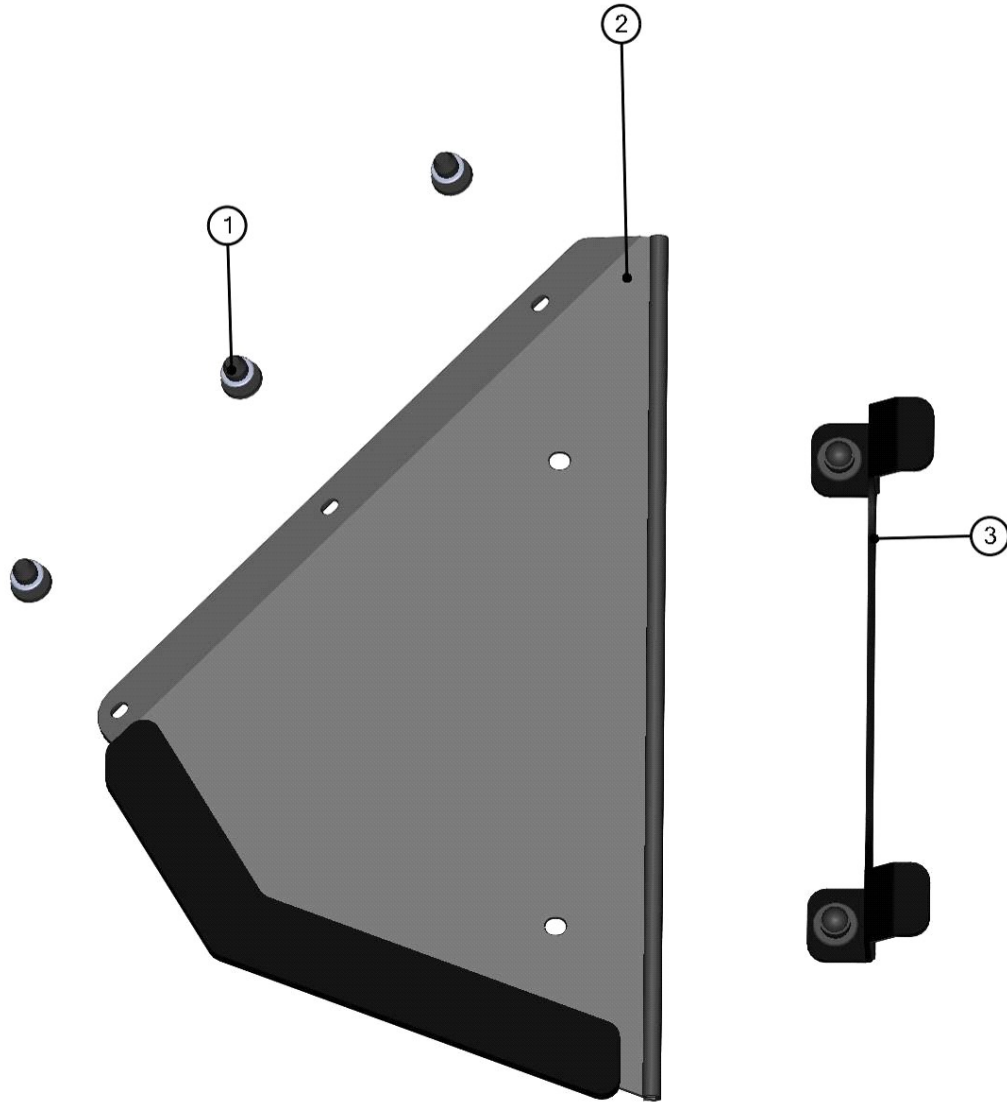
REAR PANEL FIXING ASSEMBLY



ID	Catalogue no.	Description	Qty
1	002120	SCREW M6x30	1
2	001715	PLASTIC WASHER	1
3	001735	RUBBER WASHER EPDM	1
4	004318	WASHER 6	1
5	001392	SELF-LOCKING NUT M6	1
6	001348	PLASTIC COVER OK 10	1

FOR ALL QUESTIONS OR PART ORDERS, PLEASE CALL
DFK AMERICA INC.
630-324-8585, OPTION 3

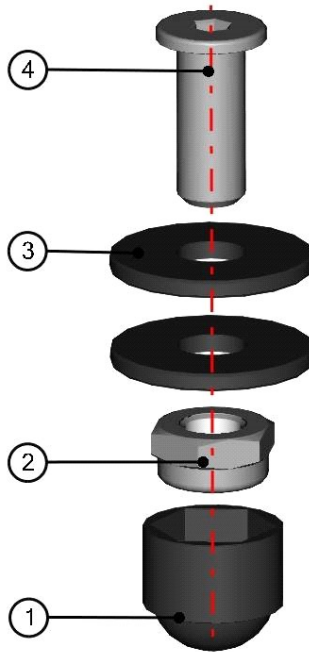
RIGHT BOTTOM REAR PANEL ASSEMBLY



ID	Catalogue no.	Description	Qty
1	50S02U02-20M003	BOTTOM REAR PANEL FIXING ASSEMBLY	3
2	50S02U02-20M002	RIGHT BOTTOM REAR LEDGE ASSEMBLY	1
3	50S02U02-20M006	BOTTOM REAR PANEL HOLDER ASSEMBLY	1

FOR ALL QUESTIONS OR PART ORDERS, PLEASE CALL
DFK AMERICA INC.
630-324-8585, OPTION 3

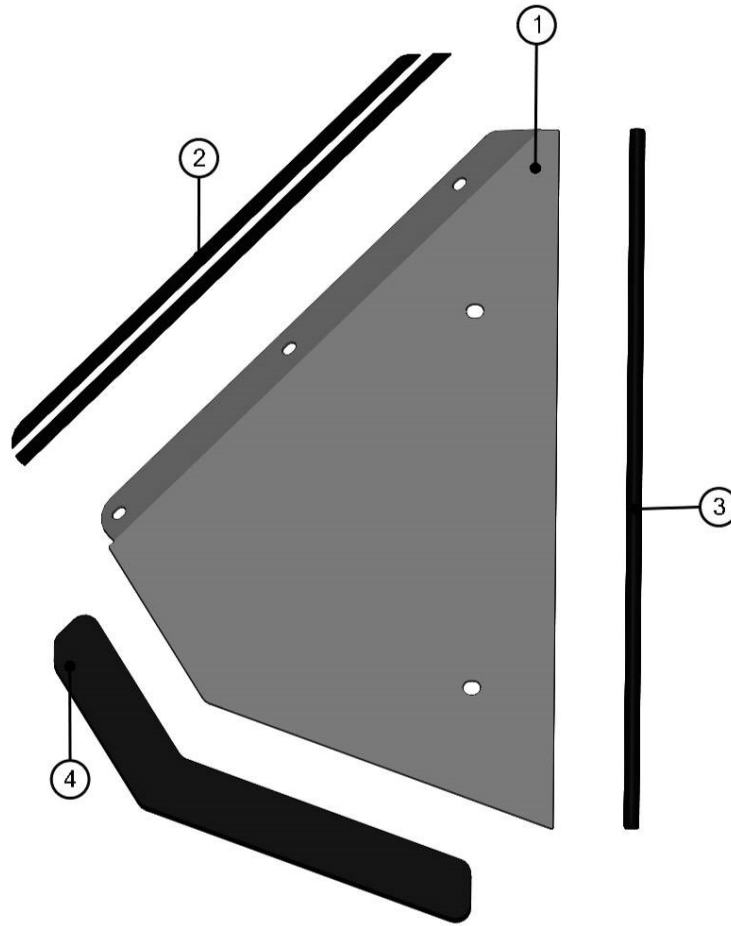
BOTTOM REAR PANEL FIXING ASSEMBLY



ID	Catalogue no.	Description	Qty
1	001309	PLASTIC NUT COVER OK 13	1
2	001388	SELF-LOCKING NUT M8	1
3	003322	RIVET WASHER 8	2
4	003555	SCREW M8x20	1

FOR ALL QUESTIONS OR PART ORDERS, PLEASE CALL
DFK AMERICA INC.
630-324-8585, OPTION 3

RIGHT BOTTOM REAR LEDGE ASSEMBLY

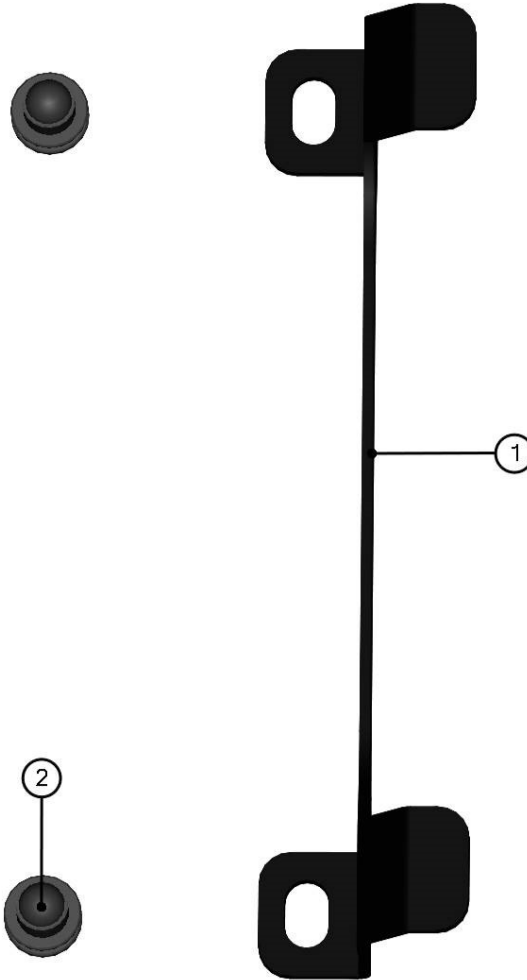


29

ID	Catalogue no.	Description	Qty
1	50S02U02-20-006	RIGHT BOTTOM REAR LEDGE	1
2	001354^50S02U02-20M002	RUBBER SEALING KR 9x3	1
3	004134^50S02U02-20M002	RUBBER PROFILE PIRRELA "U"	1
4	50S02U02-20-007	RUBBER SEALING EPDM	1

FOR ALL QUESTIONS OR PART ORDERS, PLEASE CALL
DFK AMERICA INC.
630-324-8585, OPTION 3

BOTTOM REAR PANEL HOLDER ASSEMBLY

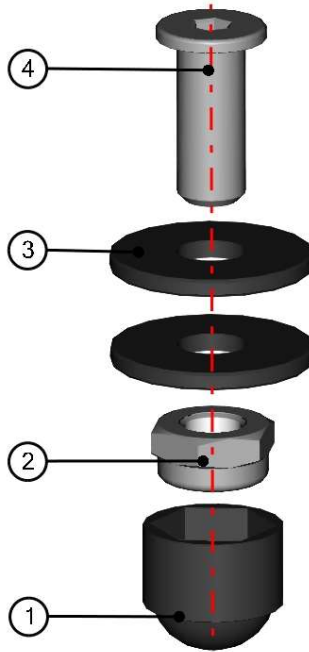


30

ID	Catalogue no.	Description	Qty
1	50S02U02-20-014	BOTTOM REAR PANLE HOLDER	1
2	50S02U02-20M012	BOTTOM REAR PANEL HOLDER FIXING ASSEMBLY	2

FOR ALL QUESTIONS OR PART ORDERS, PLEASE CALL
DFK AMERICA INC.
630-324-8585, OPTION 3

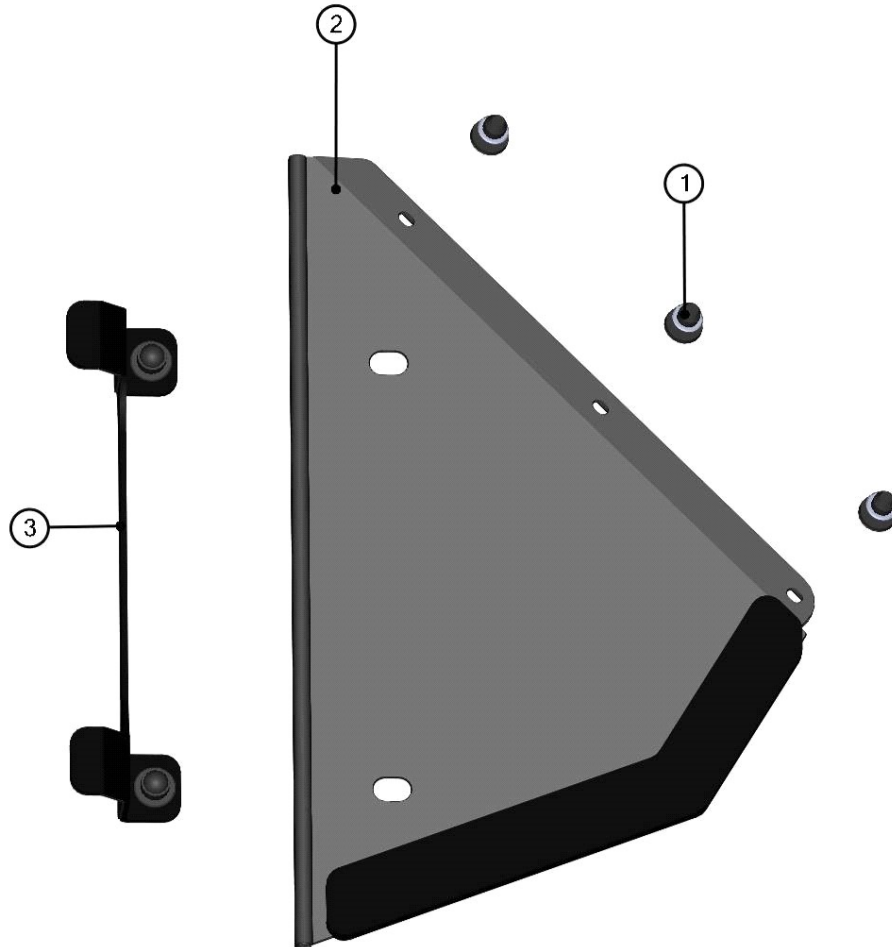
BOTTOM REAR PANEL HOLDER FIXING ASSEMBLY



ID	Catalogue no.	Description	Qty
1	001309	PLASTIC NUT COVER OK 13	1
2	001388	SELF-LOCKING NUT M8	1
3	003322	RIVET WASHER 8	2
4	003555	SCREW M8x20	1

FOR ALL QUESTIONS OR PART ORDERS, PLEASE CALL
DFK AMERICA INC.
630-324-8585, OPTION 3

LEFT BOTTOM REAR PANEL ASSEMBLY

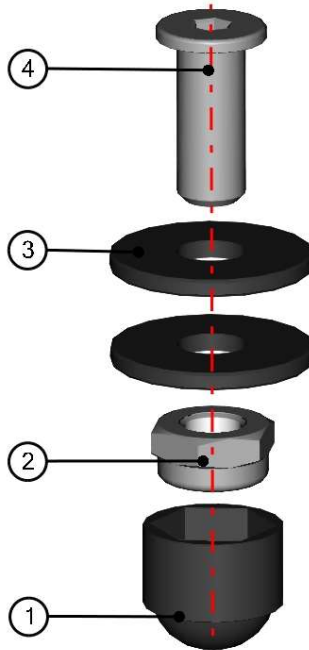


32

ID	Catalogue no.	Description	Qty
1	50S02U02-20M003	BOTTOM REAR PANEL FIXING ASSEMBLY	3
2	50S02U02-20M010	LEFT BOTTOM REAR LEDGE ASSEMBLY	1
3	50S02U02-20M006	LEFT BOTTOM REAR PANEL HOLDER ASSEMBLY	1

FOR ALL QUESTIONS OR PART ORDERS, PLEASE CALL
DFK AMERICA INC.
630-324-8585, OPTION 3

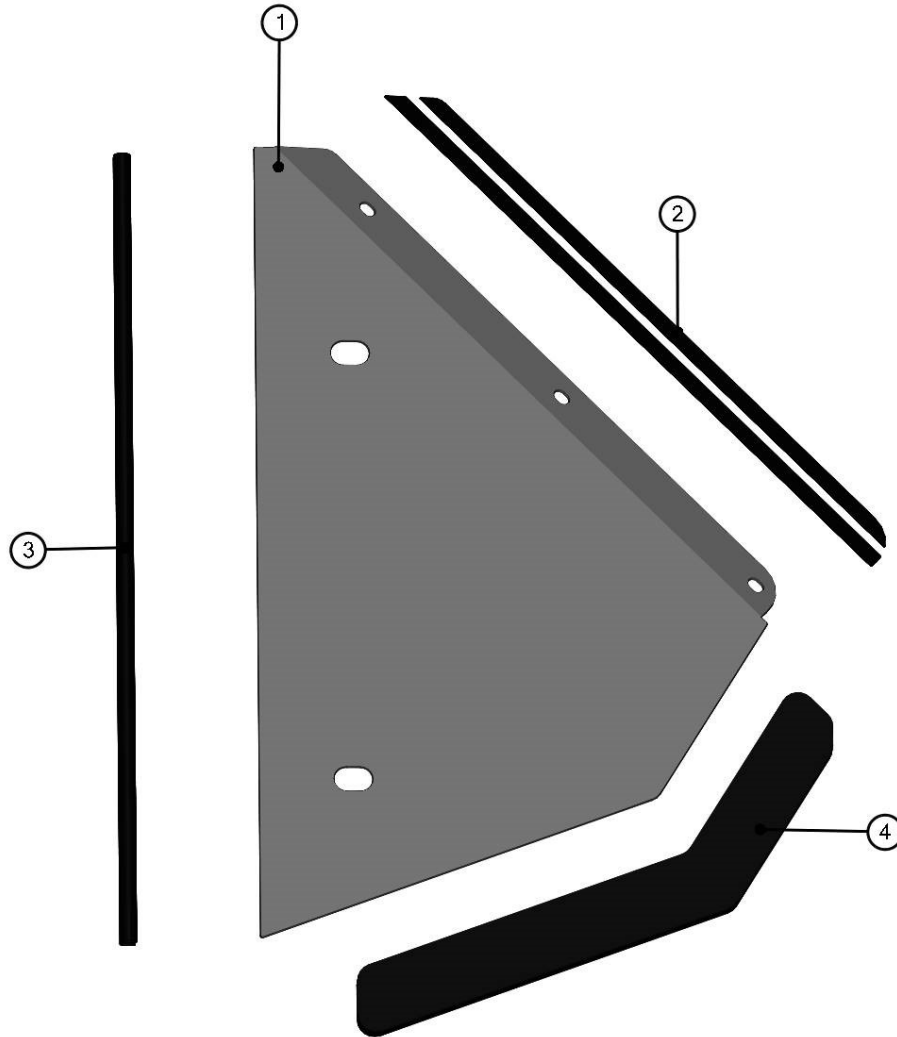
BOTTOM REAR PANEL FIXING ASSEMBLY



ID	Catalogue no.	Description	Qty
1	001309	PLASTIC NUT COVER OK 13	1
2	001388	SELF-LOCKING NUT M8	1
3	003322	RIVET WASHER 8	2
4	003555	SCREW M8x20	1

FOR ALL QUESTIONS OR PART ORDERS, PLEASE CALL
DFK AMERICA INC.
630-324-8585, OPTION 3

LEFT BOTTOM REAR LEDGE ASSEMBLY

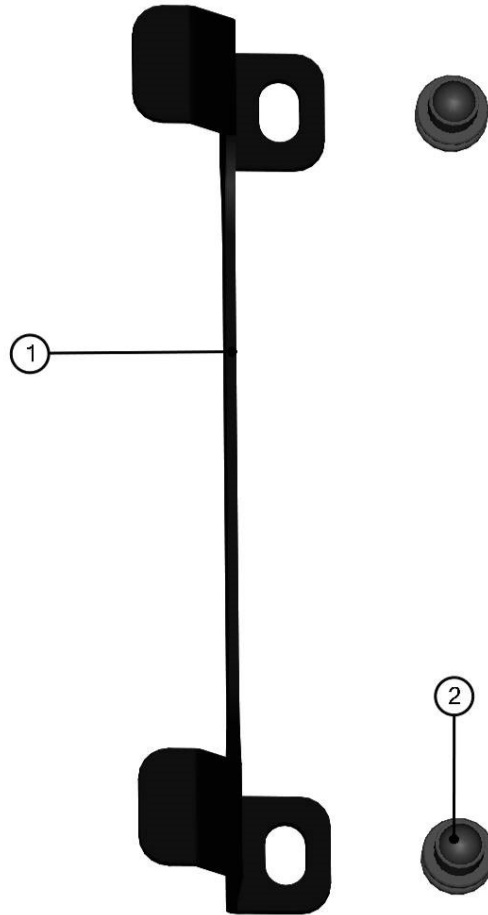


34

ID	Catalogue no.	Description	Qty
1	50S02U02-20-020	LEFT BOTTOM REAR LEDGE	1
2	001354^50S02U02-20M010	RUBBER SEALING KR 9x3	1
3	004134^50S02U02-20M010	RUBBER PROFILE PIRELA "U"	1
4	50S02U02-20-007	RUBBER SEALING EPDM	1

FOR ALL QUESTIONS OR PART ORDERS, PLEASE CALL
DFK AMERICA INC.
630-324-8585, OPTION 3

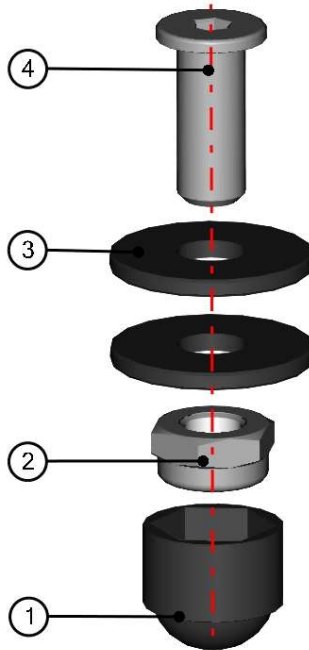
BOTTOM REAR PANEL HOLDER ASSEMBLY



ID	Catalogue no.	Description	Qty
1	50S02U02-20-014	BOTTOM REAR PANEL HOLDER	1
2	50S02U02-20M012	BOTTOM REAR PANEL HOLDER FIXING ASSEMBLY	2

FOR ALL QUESTIONS OR PART ORDERS, PLEASE CALL
DFK AMERICA INC.
630-324-8585, OPTION 3

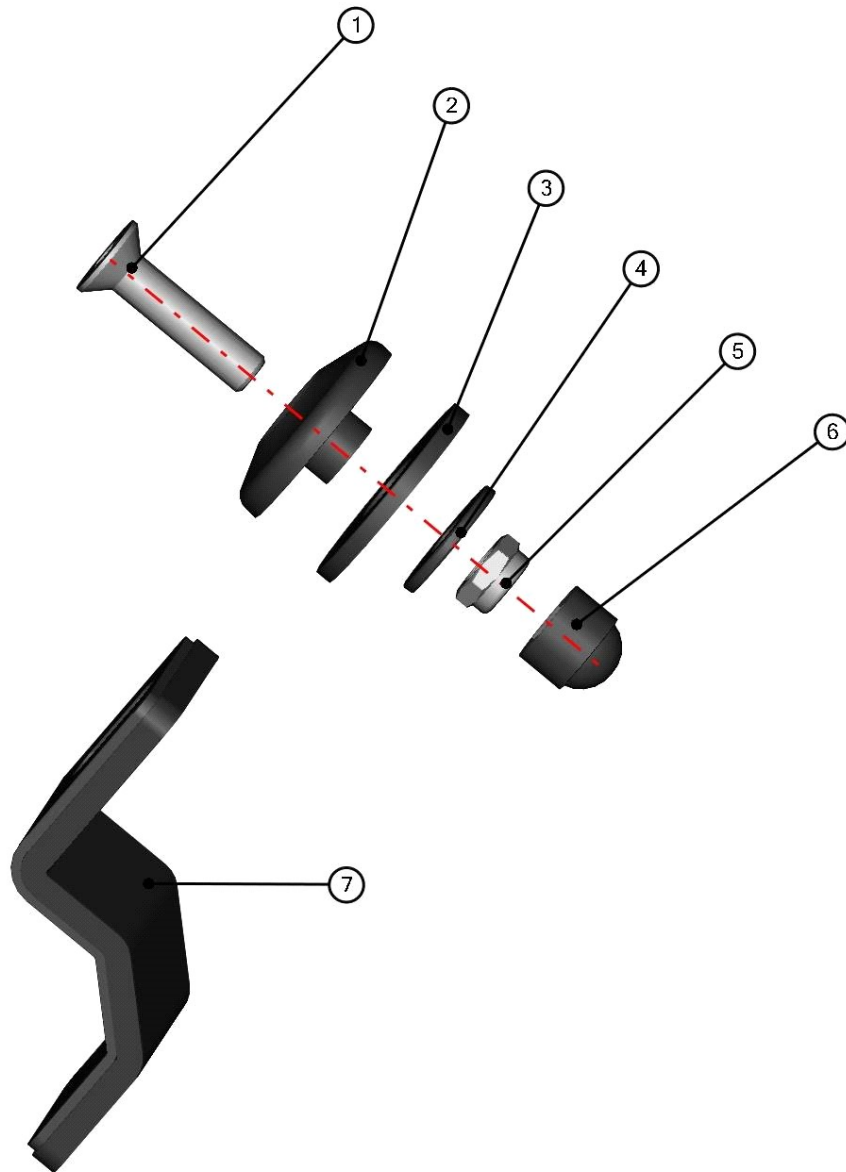
BOTTOM REAR PANEL HOLDER FIXING ASSEMBLY



ID	Catalogue no.	Description	Qty
1	001309	PLASTIC NUT COVER OK 13	1
2	001388	SELF-LOCKING NUT M8	1
3	003322	RIVET WASHER 8	2
4	003555	SCREW M8x20	1

FOR ALL QUESTIONS OR PART ORDERS, PLEASE CALL
DFK AMERICA INC.
630-324-8585, OPTION 3

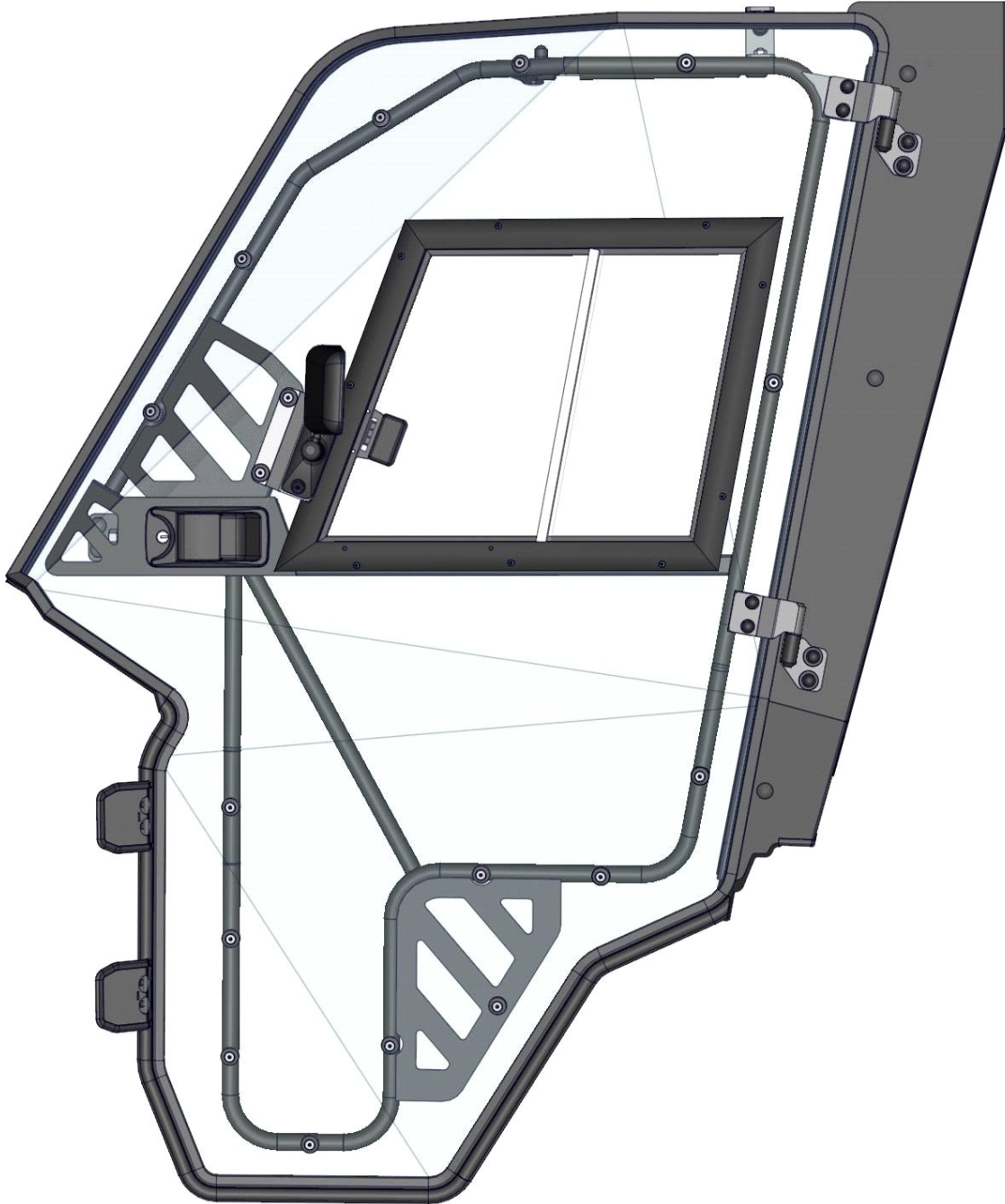
REAR PANEL HOLDER ASSEMBLY



ID	Catalogue no.	Description	Qty
1	001760	SCREW M8x35	1
2	001429	PLASTIC NOG	1
3	001428	RUBBER WASHER 8	1
4	003322	WASHER 8	1
5	001388	SELF-LOCKING NUT M8	1

FOR ALL QUESTIONS OR PART ORDERS, PLEASE CALL
DFK AMERICA INC.
630-324-8585, OPTION 3

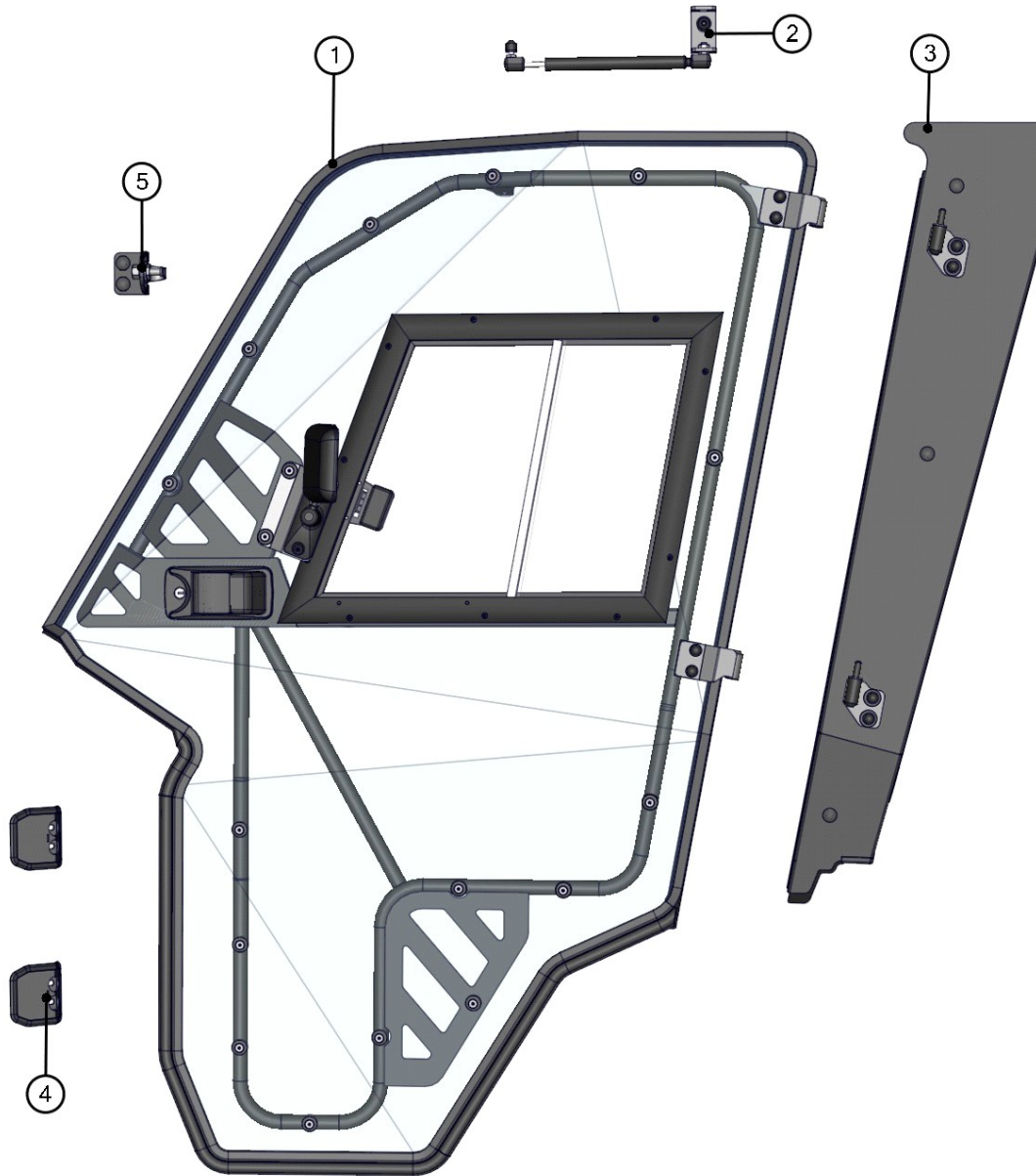
LEFT DOOR



38

FOR ALL QUESTIONS OR PART ORDERS, PLEASE CALL
DFK AMERICA INC.
630-324-8585, OPTION 3

LEFT DOOR ASSEMBLIES

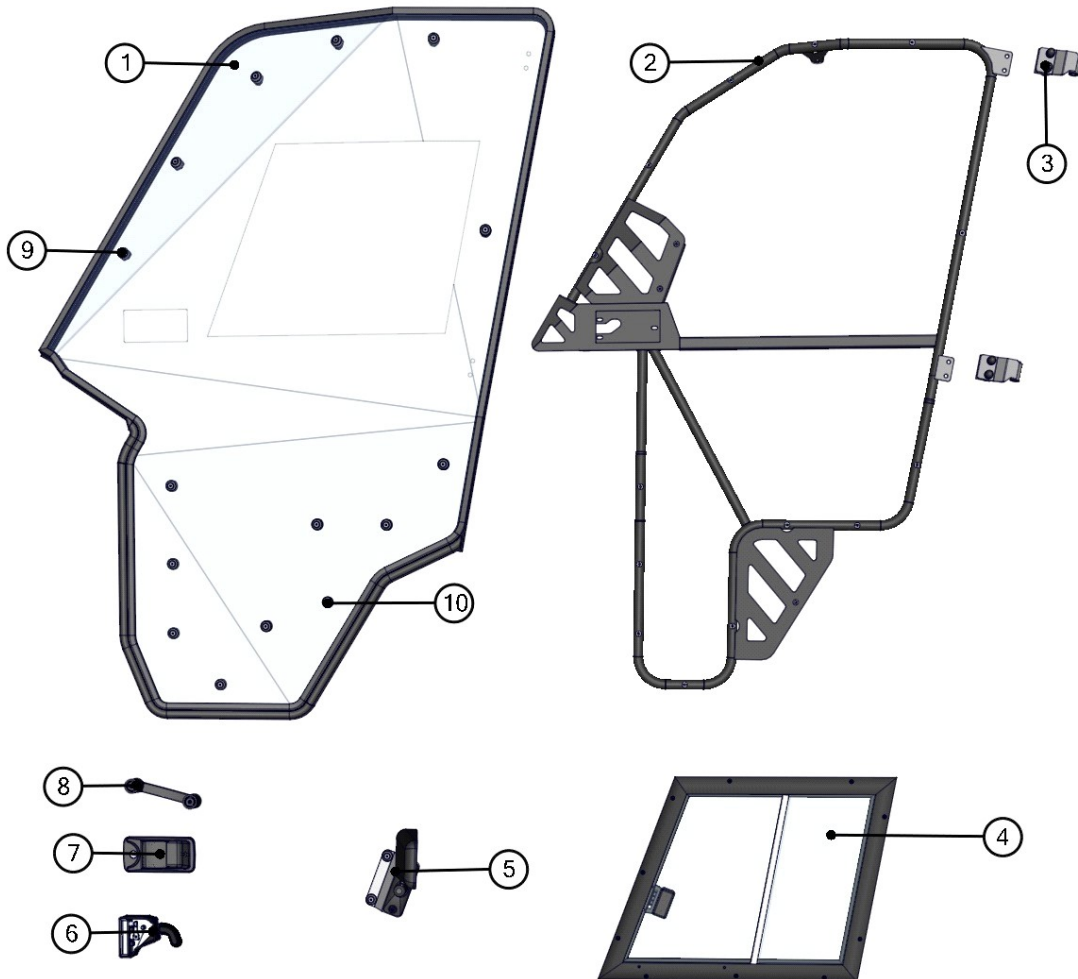


39

ID	Catalogue no.	Description	Qty
1	50S02U02-40M005	LEFT DOOR ASSEMBLY	1
2	50S02U02-40M009	GAS SPRING ASSEMBLY	1
3	50S02U02-40M002	LEFT DOOR BASE ASSEMBLY	1
4	50S02U02-40M010	HINGE SPACE COVER	2
5	50S02U02-40M007	DOOR STOP ASSEMBLY	1

FOR ALL QUESTIONS OR PART ORDERS, PLEASE CALL
DFK AMERICA INC.
630-324-8585, OPTION 3

LEFT DOOR ASSEMBLY

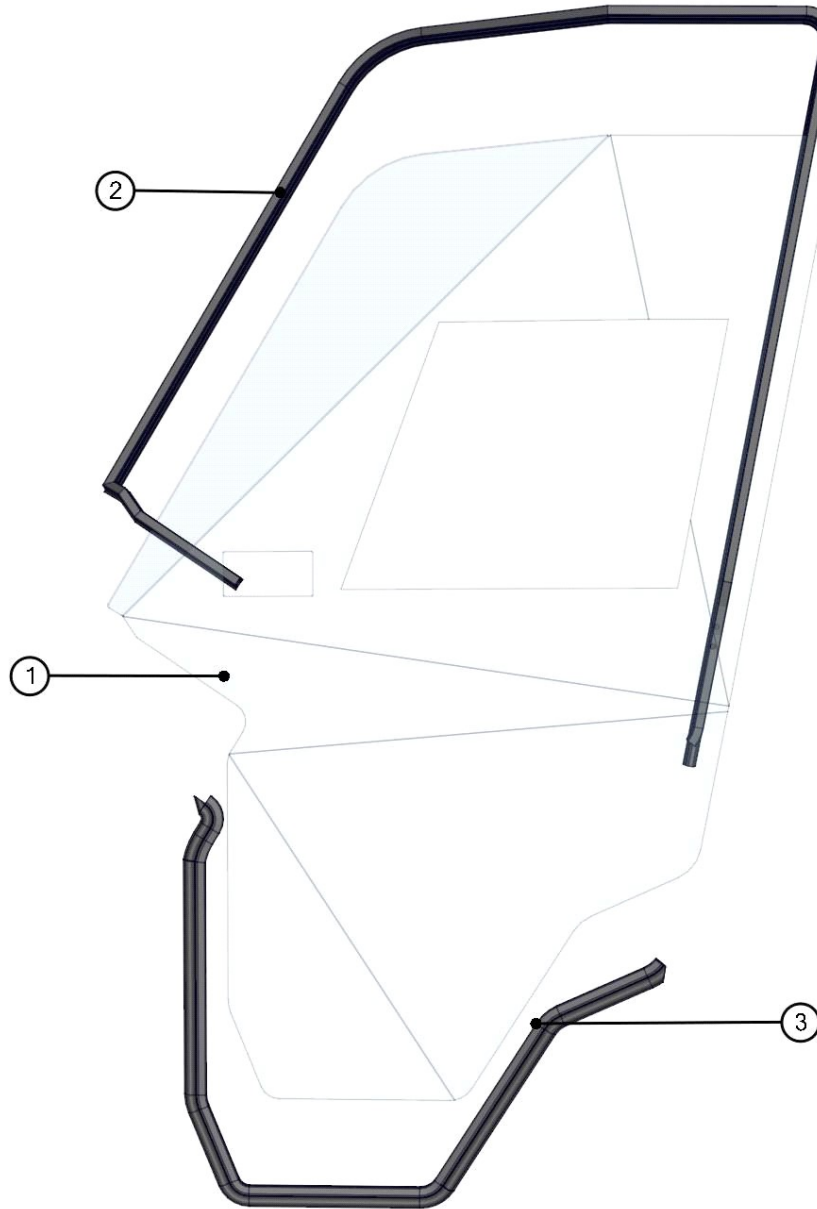


40

ID	Catalogue no.	Description	Qty
1	50S02U02-40M001	LEFT DOOR POLYCARBONATE ASSEMBLY	1
2	50S02U02-40W001	LEFT DOOR FRAME WELDED	1
3	00-105U-M004	LEFT DOOR HINGE ASSEMBLY	2
4	50S02U02-40M008	LEFT WINDOW ASSEMBLY	1
5	00-109U-M003	LEFT REAR VIEW MIRROR ASSEMBLY	1
6	00-40M019	INNER DOOR LOCK	1
7	000841	OUTER DOOR LOCK	1
8	00-40M018	DOOR HANDLE ASSEMBLY	1
9	00-00M019	POLYCARBONATE FIXING ASSEMBLY	15
10	00-00M020	FRAME FIXING ASSEMBLY	1

FOR ALL QUESTIONS OR PART ORDERS, PLEASE CALL
DFK AMERICA INC.
630-324-8585, OPTION 3

LEFT DOOR POLYCARBONATE WITH SEALING ASSEMBLY

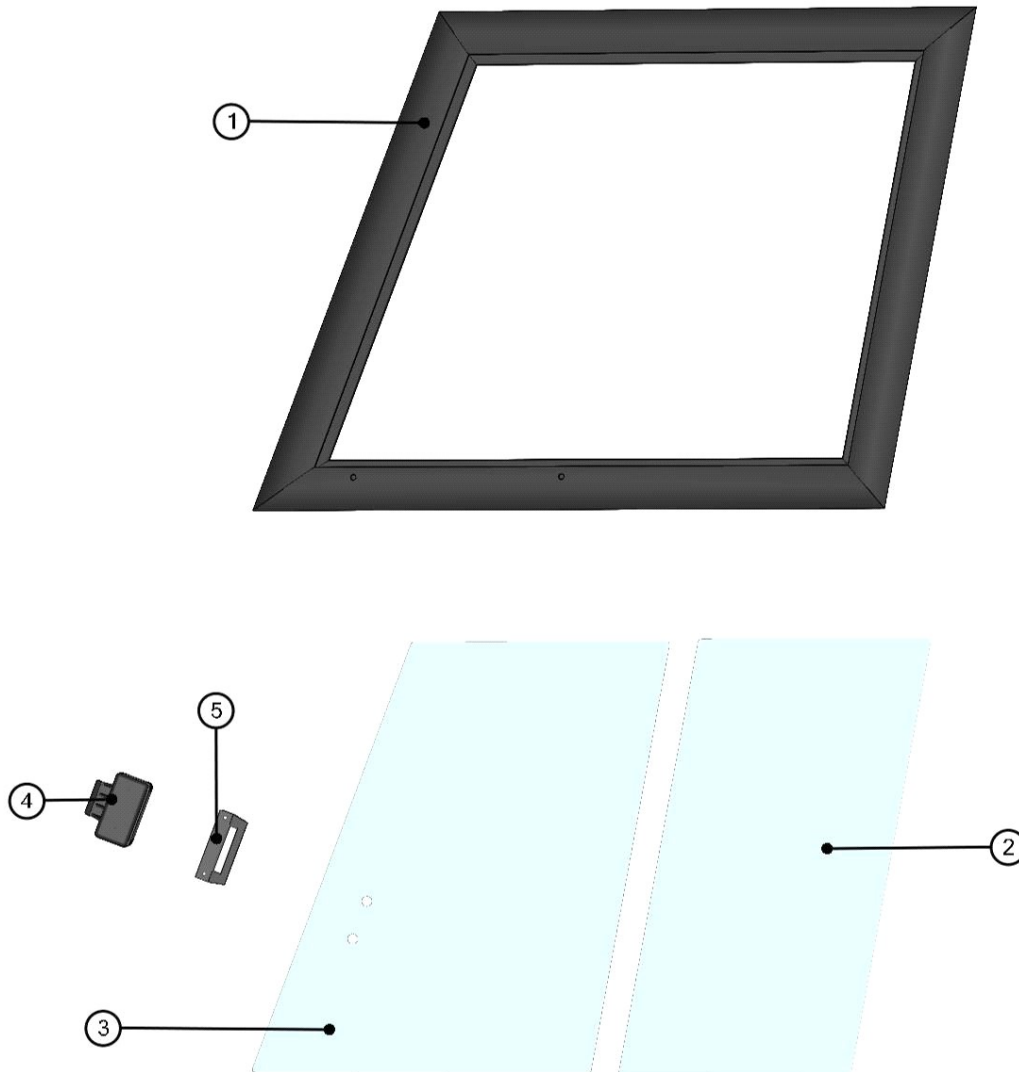


41

ID	Catalogue no.	Description	Qty
1	50S02U02-40-002	LEFT DOOR POLYCARBONATE	1
2	002454^50S02U02-40M001	RUBBER SEALING "SARAZIN SIDE"	1
3	002658^50S02U02-40M001	RUBBER SEALING "PIRELA STRAIGHT"	1

FOR ALL QUESTIONS OR PART ORDERS, PLEASE CALL
DFK AMERICA INC.
630-324-8585, OPTION 3

LEFT WINDOW ASSEMBLY

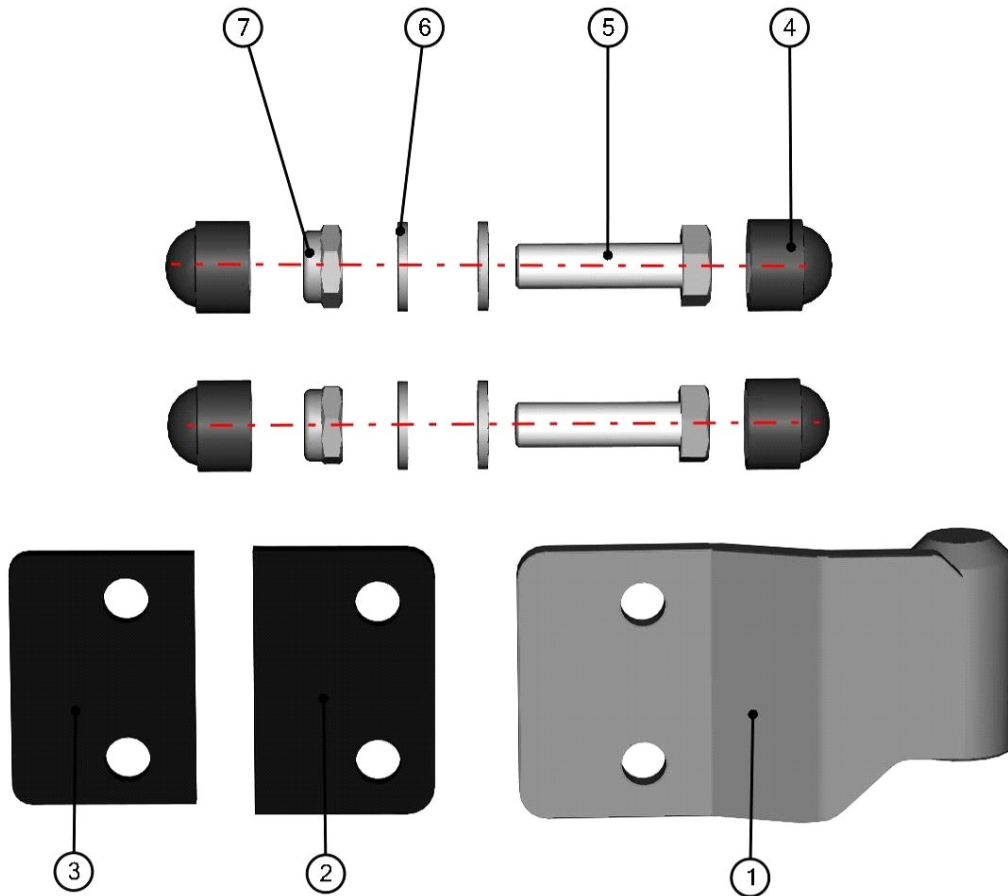


42

ID	Catalogue no.	Description	Qty
1	50S02U02-40-003	LEFT WINDOW FRAME	1
2	50S02U02-40-020	WINDOW GLASS SOLID	1
3	50S02U02-40-004	WINDOW GLASS MOVEBLE	1
4	00-40M008	WINDOW LOCK	1
5	001762	WINDOW STOP	1

FOR ALL QUESTIONS OR PART ORDERS, PLEASE CALL
DFK AMERICA INC.
630-324-8585, OPTION 3

LEFT DOOR HINGE ASSEMBLY

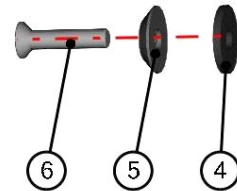
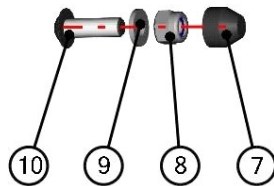
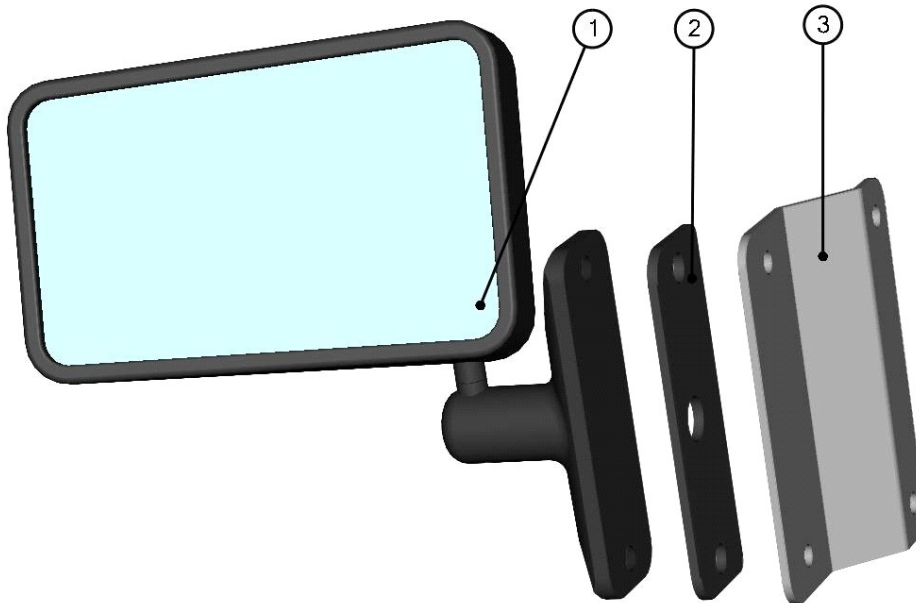


43

ID	Catalogue no.	Description	Qty
1	00-105U-W004	LEFT DOOR HINGE	1
2	00-105U-014	HINGE SEMPERIT 1	1
3	00-105U-015	HINGE SEMPERIT 2	1
4	001309	PLASTIC COVER OK 13	4
5	001411	SCREW M8x30	2
6	001387	WASHER 8	4
7	001388	SELF-LOCKING NUT M8	2

FOR ALL QUESTIONS OR PART ORDERS, PLEASE CALL
DFK AMERICA INC.
630-324-8585, OPTION 3

LEFT REAR VIEW MIRROR ASSEMBLY

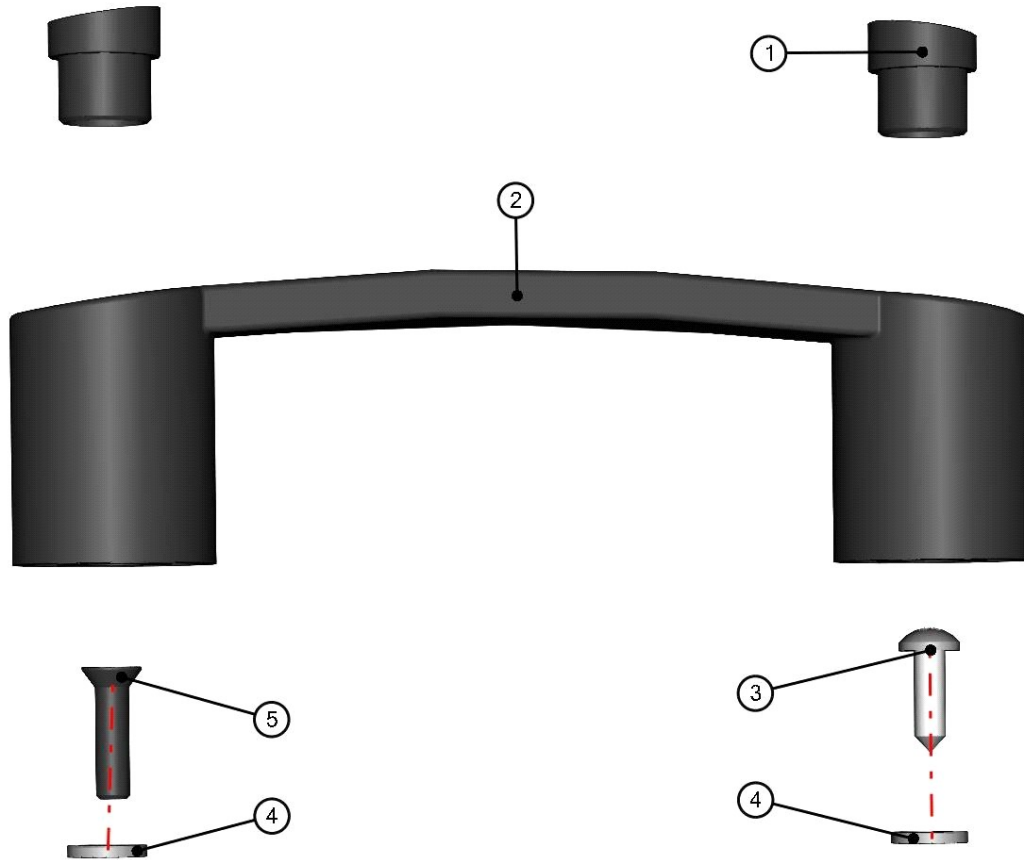


44

ID	Catalogue no.	Description	Qty
1	002773	REAR VIEW MIRROR	1
2	00-109U-001	MIRROR RUBBER "SEMPERIT"	1
3	00-109U-002	MIRROR HOLDER	1
4	001735	RUBBER WASHER EPDM	2
5	001715	PLASTIC WASHER	2
6	001701	SCREW M6x30	2
7	001348	PLASTIC COVER OK 10	2
8	001392	SELF-LOCKING NUT M6	2
9	001426	WASHER 6	2
10	001723	SCREW M6x30	2

FOR ALL QUESTIONS OR PART ORDERS, PLEASE CALL
DFK AMERICA INC.
630-324-8585, OPTION 3

DOOR HANDLE ASSEMBLY

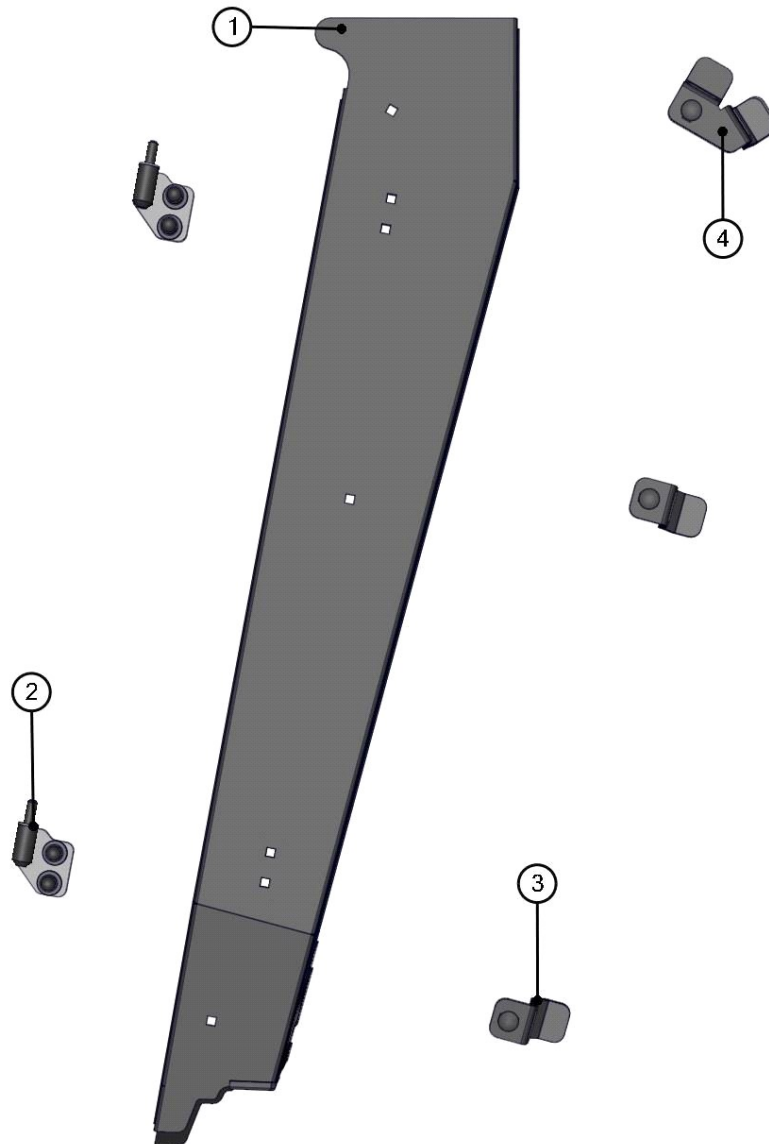


45

ID	Catalogue no.	Description	Qty
1	001706	HANDLE SCREW COVER	2
2	001703	DOOR HANDLE	1
3	001391	SELF CUTTING SCREW	1
4	001426	WASHER 6	2
5	004246	SCREW M5x20	1

FOR ALL QUESTIONS OR PART ORDERS, PLEASE CALL
DFK AMERICA INC.
630-324-8585, OPTION 3

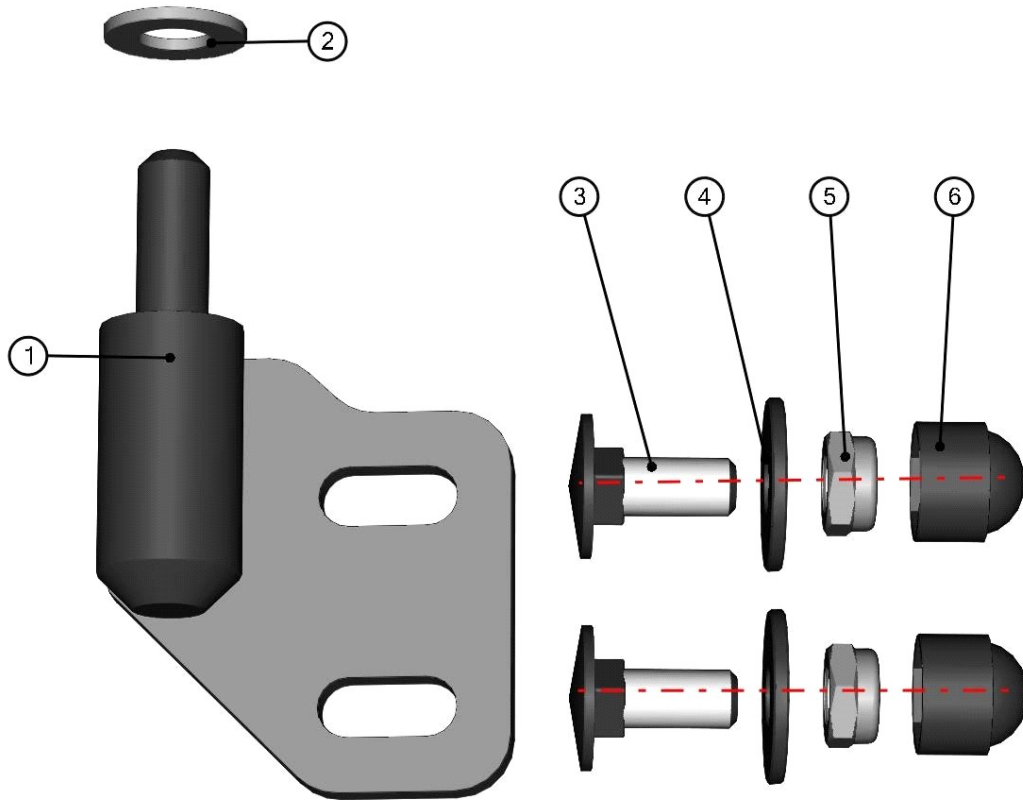
LEFT DOOR BASE ASSEMBLY



ID	Catalogue no.	Description	Qty
1	50S02U02-40W002	LEFT DOOR BASE WELDED	1
2	50S02U02-40M003	LEFT DOOR BASE HINGE ASSEMBLY	2
3	50S02U02-40M006	DOOR BASE HOLDER ASSEMBLY	2
4	50S02U02-40M012	LEFT DOOR BASE UPPER HOLDER	1

FOR ALL QUESTIONS OR PART ORDERS, PLEASE CALL
DFK AMERICA INC.
630-324-8585, OPTION 3

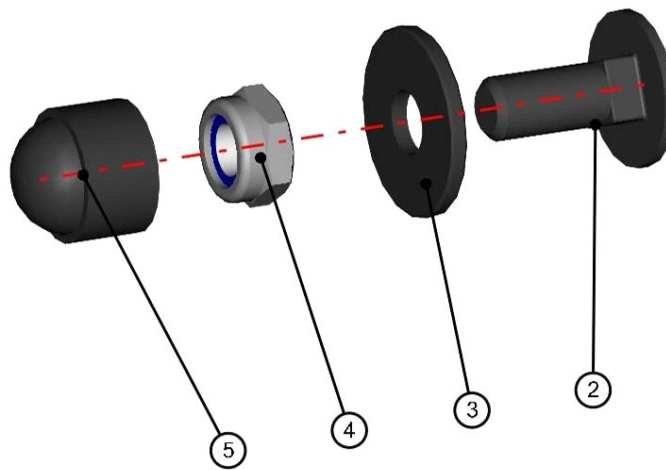
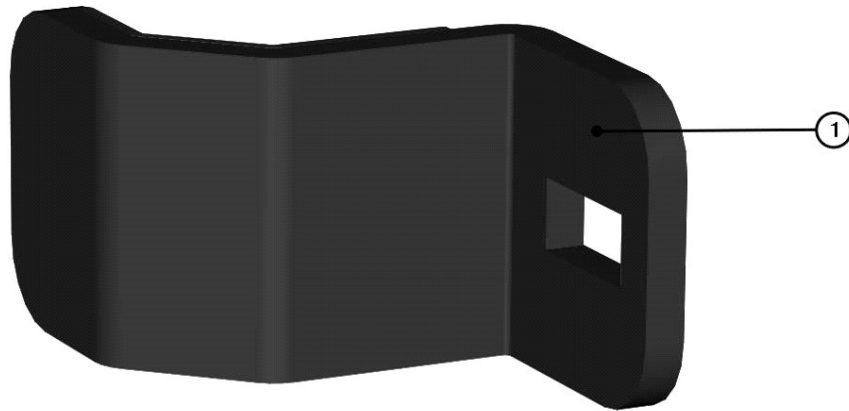
LEFT DOOR BASE HINGE ASSEMBLY



ID	Catalogue no.	Description	Qty
1	00-105U-W002	LEFT DOOR BASE HINGE WELDED	1
2	001485	WASHER 8	1
3	002575	SCREW M8x20	2
4	003322	RIVET WASHER 8	2
5	001388	SELF-LOCKING NUT M8	2
6	001309	PLASTIC COVER OK 13	2

FOR ALL QUESTIONS OR PART ORDERS, PLEASE CALL
DFK AMERICA INC.
630-324-8585, OPTION 3

DOOR BASE HOLDER ASSEMBLY

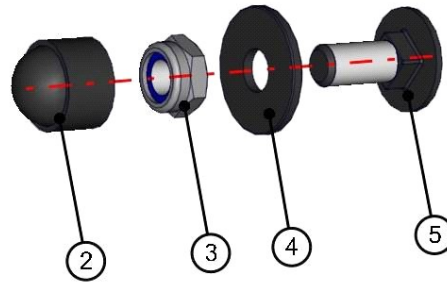
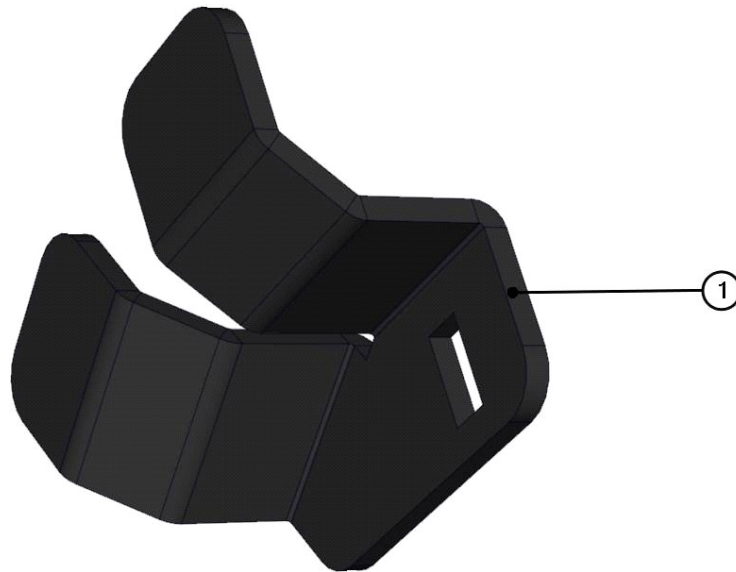


48

ID	Catalogue no.	Description	Qty
1	50S02U02-40-017	DOOR BASE HOLDER	1
2	002575	SCREW M8x20	1
3	003322	RIVET WASHER 8	1
4	001388	SELF-LOCKING NUT M8	1
5	001309	PLASTIC COVER OK 13	1

FOR ALL QUESTIONS OR PART ORDERS, PLEASE CALL
DFK AMERICA INC.
630-324-8585, OPTION 3

LEFT DOOR BASE UPPER HOLDER

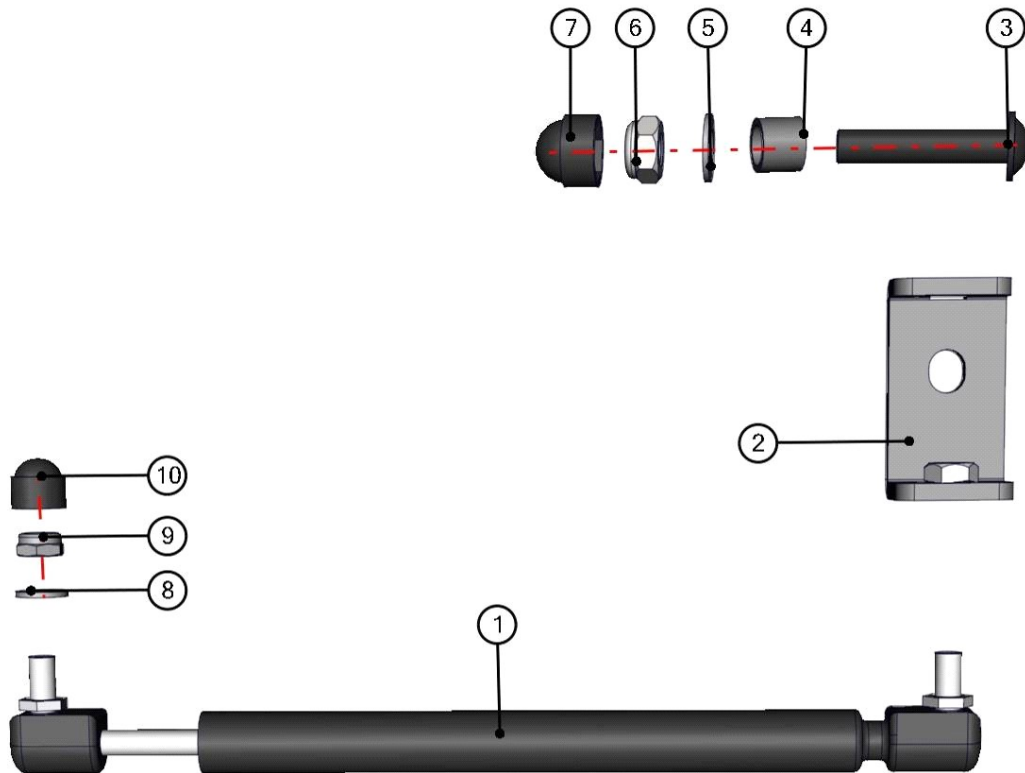


49

ID	Catalogue no.	Description	Qty
1	50S02U02-50-029	LEFT DOOR BASE UPPER HOLDER	1
2	001309	PLASTIC NUT COVER OK 13	1
3	001388	SELF-LOCKING NUT M8	1
4	003322	RIVET WASHER 8	1
5	002575	SCREW M8x20	1

FOR ALL QUESTIONS OR PART ORDERS, PLEASE CALL
DFK AMERICA INC.
630-324-8585, OPTION 3

GAS SPRING ASSEMBLY



50

ID	Catalogue no.	Description	Qty
1	000868	GAS SPRING	1
2	50S02U02-40W004	DOOR GAS SPRING HOLDER WELDED	1
3	005630	SCREW M10x50	1
4	50S02U02-40-031	DISTANCE TUBE	1
5	004447	WASHER 10	1
6	002533	SELF-LOCKING NUT M10	1
7	002363	PLASTIC NUT COVER OK 17	1
8	001387	WASHER 8	1
9	001388	SELF-LOCKING NUT M8	1
10	001309	PLASTIC NUT COVER OK 13	1

FOR ALL QUESTIONS OR PART ORDERS, PLEASE CALL
DFK AMERICA INC.
630-324-8585, OPTION 3

DOOR STOP ASSEMBLY

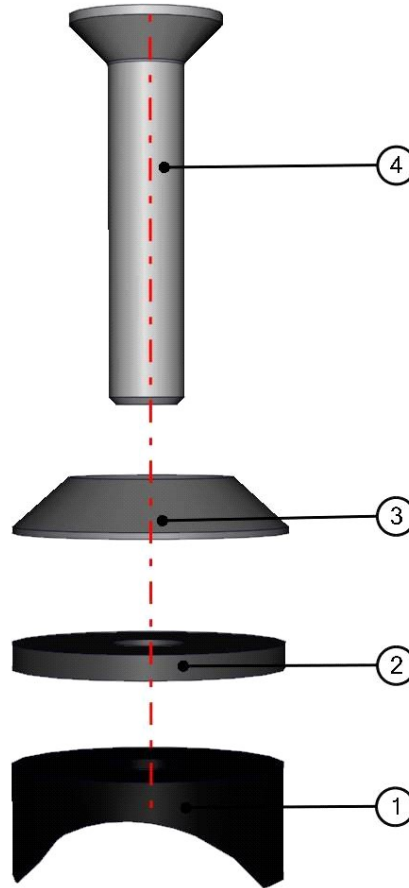


51

ID	Catalogue no.	Description	Qty
1	50S02U02-40-019	DOOR STOP HOLDER	1
2	002575	SCREW M8x20	2
3	003322	RIVET WASHER 8	2
4	001388	SELF-LOCKING NUT M8	2
5	001309	PLASTIC COVER OK 13	2
6	000856	DOOR STOP NUT	1
7	000857	DOOR STOP WASHER	1
8	000855	DOOR STOP HOOK	1
9	000854	DOOR STOP PIN	1

FOR ALL QUESTIONS OR PART ORDERS, PLEASE CALL
DFK AMERICA INC.
630-324-8585, OPTION 3

POLYCARBONATE FIXING ASSEMBLY

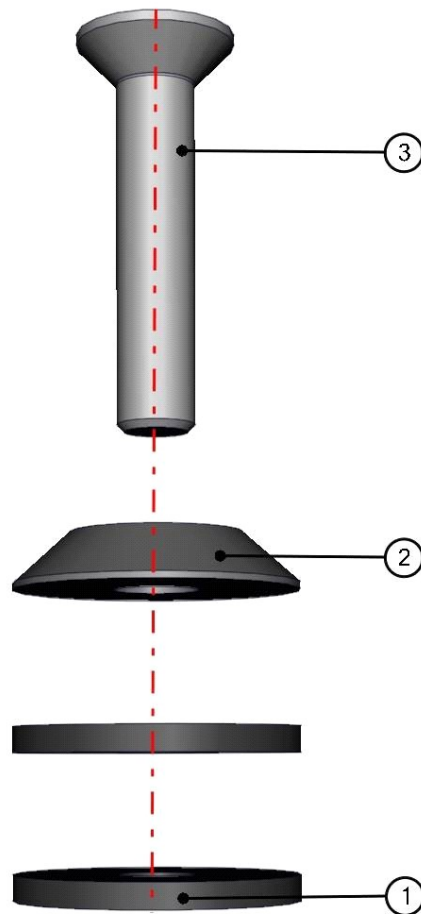


52

ID	Catalogue no.	Description	Qty
1	001736	SADDLE WASHER	1
2	001735	RUBBER WASHER EPDM	1
3	001715	PLASTIC WASHER	1
4	001701	SCREW M6x30	1

FOR ALL QUESTIONS OR PART ORDERS, PLEASE CALL
DFK AMERICA INC.
630-324-8585, OPTION 3

FRAME FIXING ASSEMBLY

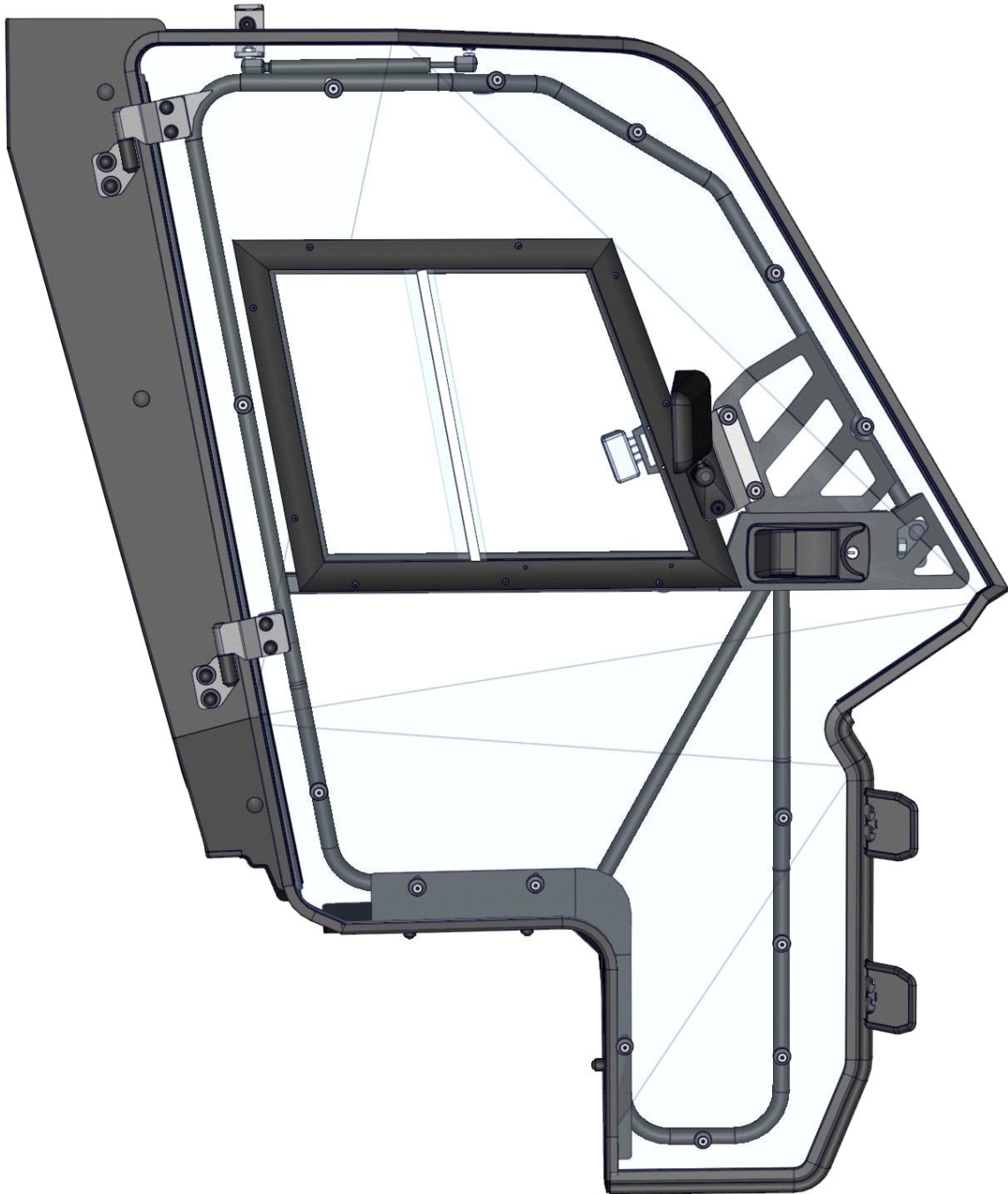


53

ID	Catalogue no.	Description	Qty
1	001735	RUBBER WASHER EPDM	2
2	001715	PLASTIC WASHER	1
3	001701	SCREW M6x30	1

FOR ALL QUESTIONS OR PART ORDERS, PLEASE CALL
DFK AMERICA INC.
630-324-8585, OPTION 3

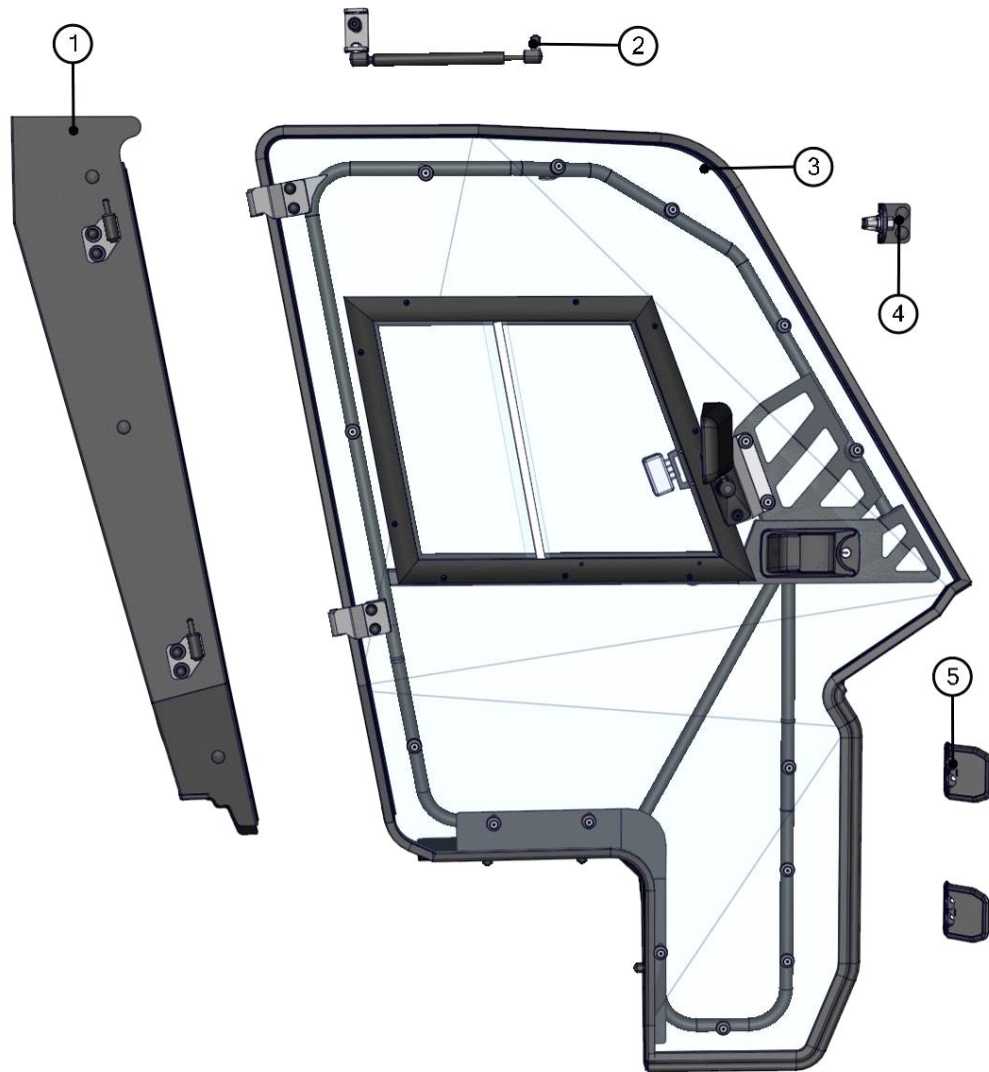
RIGHT DOOR



54

FOR ALL QUESTIONS OR PART ORDERS, PLEASE CALL
DFK AMERICA INC.
630-324-8585, OPTION 3

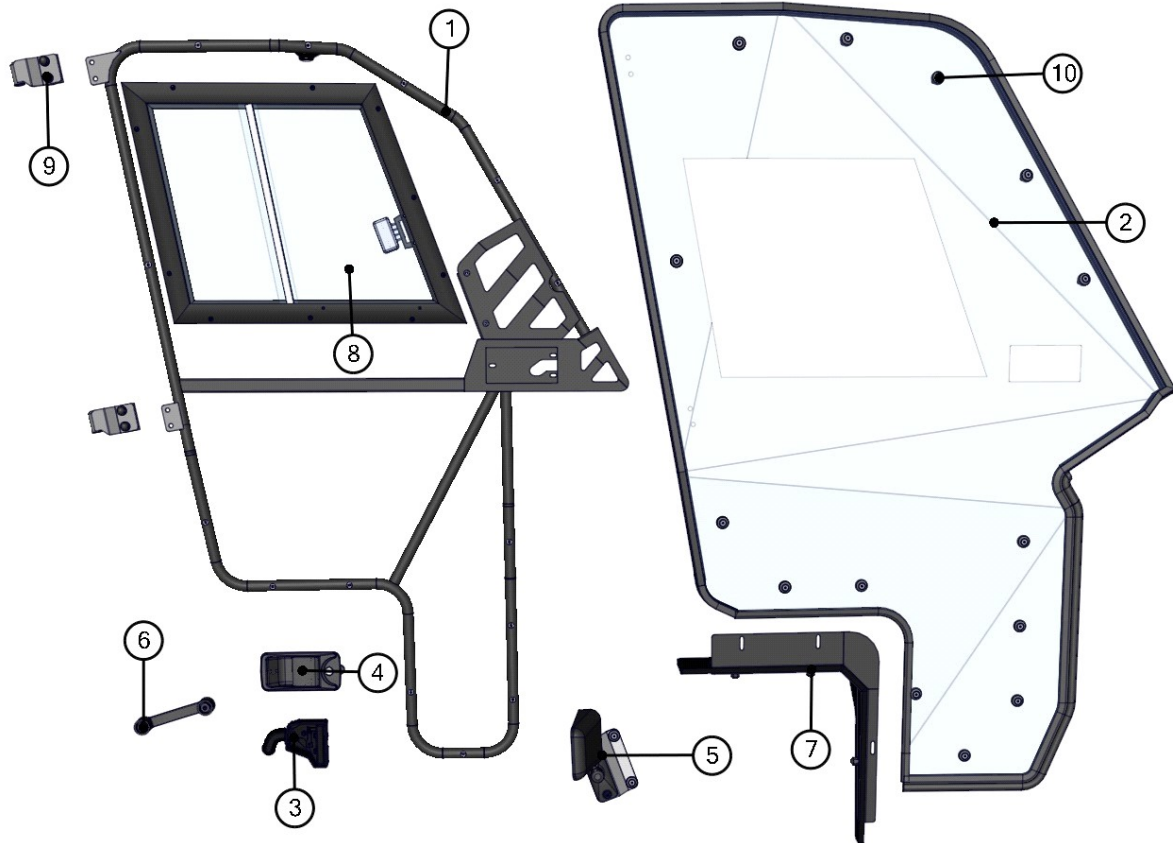
RIGHT DOOR ASSEMBLIES



ID	Catalogue no.	Description	Qty
1	50S02U02-50M002	RIGHT DOOR BASE ASSEMBLY	1
2	50S02U02-40M009	DOOR GAS SPRING	1
3	50S02U02-50M005	RIGHT DOOR ASSEMBLY	1
4	50S02U02-40M007	DOOR STOP ASSEMBLY	1
5	50S02U02-40M010	HINGE COVER	2

FOR ALL QUESTIONS OR PART ORDERS, PLEASE CALL
DFK AMERICA INC.
630-324-8585, OPTION 3

RIGHT DOOR ASSEMBLY

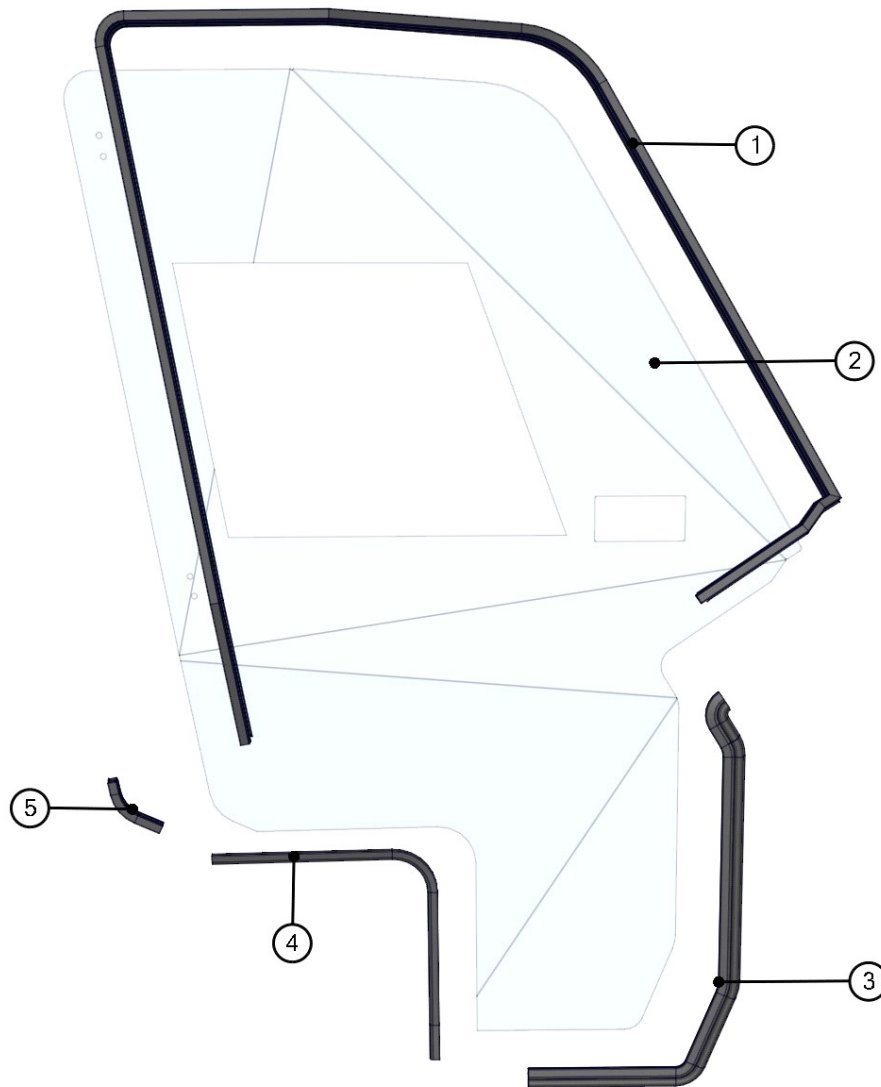


56

ID	Catalogue no.	Description	Qty
1	50S02U02-50W001	RIGHT DOOR FRAME WELDED	1
2	50S02U02-50M001	RIGHT DOOR POLYCARBONATE ASSEMBLY	1
3	00-40M019	INNER DOOR LOCK	1
4	000841	OUTER DOOR LOCK	1
5	00-109U-M004	RIGHT REAR VIEW MIRROR ASSEMBLY	1
6	00-40M018	DOOR HANDLE	1
7	50S02U02-50M020	BYPASS TANK CAP ASSEMBLY	1
8	50S02U02-50M008	RIGHT WINDOW ASSEMBLY	1
9	00-105U-M003	RIGHT DOOR HINGE ASSEMBLY	2
10	00-00M020	POLYCARBONATE FIXING ASSEMBLY	12

FOR ALL QUESTIONS OR PART ORDERS, PLEASE CALL
DFK AMERICA INC.
630-324-8585, OPTION 3

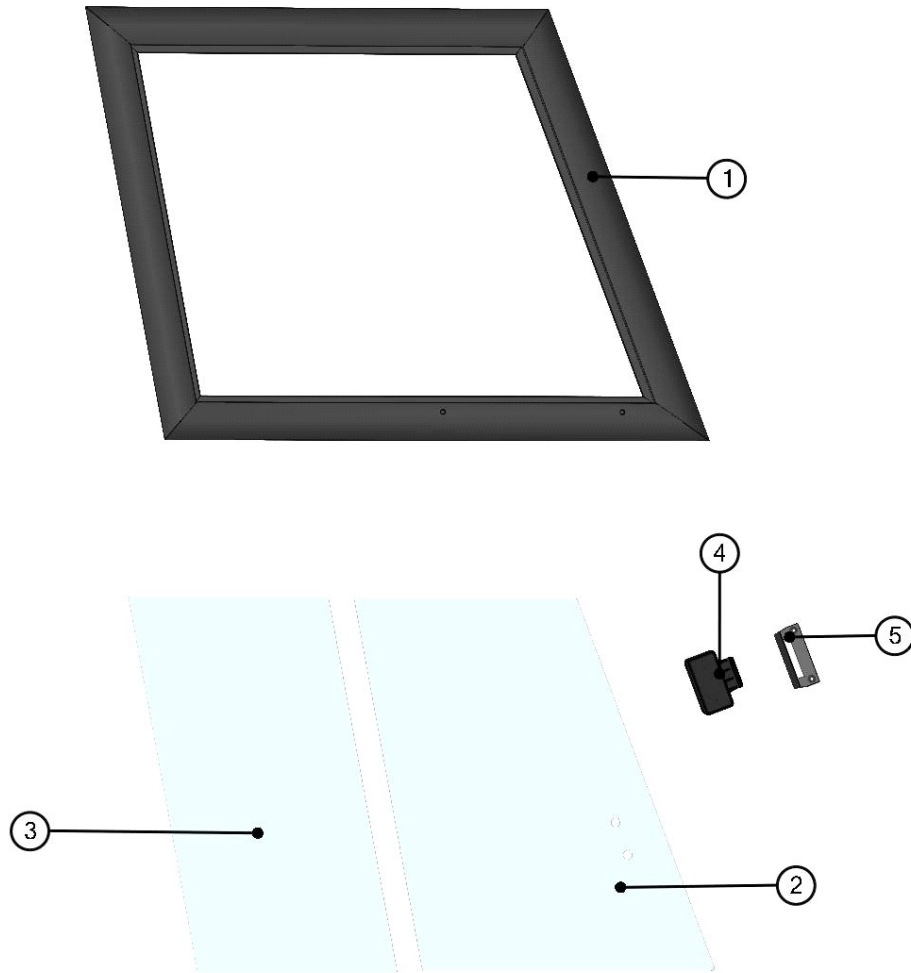
RIGHT DOOR POLYCARBONATE WITH SEALING ASSEMBLY



ID	Catalogue no.	Description	Qty
1	002454^50S02U02-50M001	RUBBER PROFILE "SARAZIN SIDE"	1
2	50S02U02-50-002	RIGHT DOOR POLYCARBONATE	1
3	001005^50S02U02-50M001	RUBBER SEALING "PIRELA STRAIGHT"	1
4	003627^50S02U02-50M001	RUBBER SEALING "PIRELA U"	1
5	001012^50S02U02-50M001	RUBBER SEALING "PIRELA GLASS"	1

FOR ALL QUESTIONS OR PART ORDERS, PLEASE CALL
DFK AMERICA INC.
630-324-8585, OPTION 3

RIGHT WINDOW ASSEMBLY

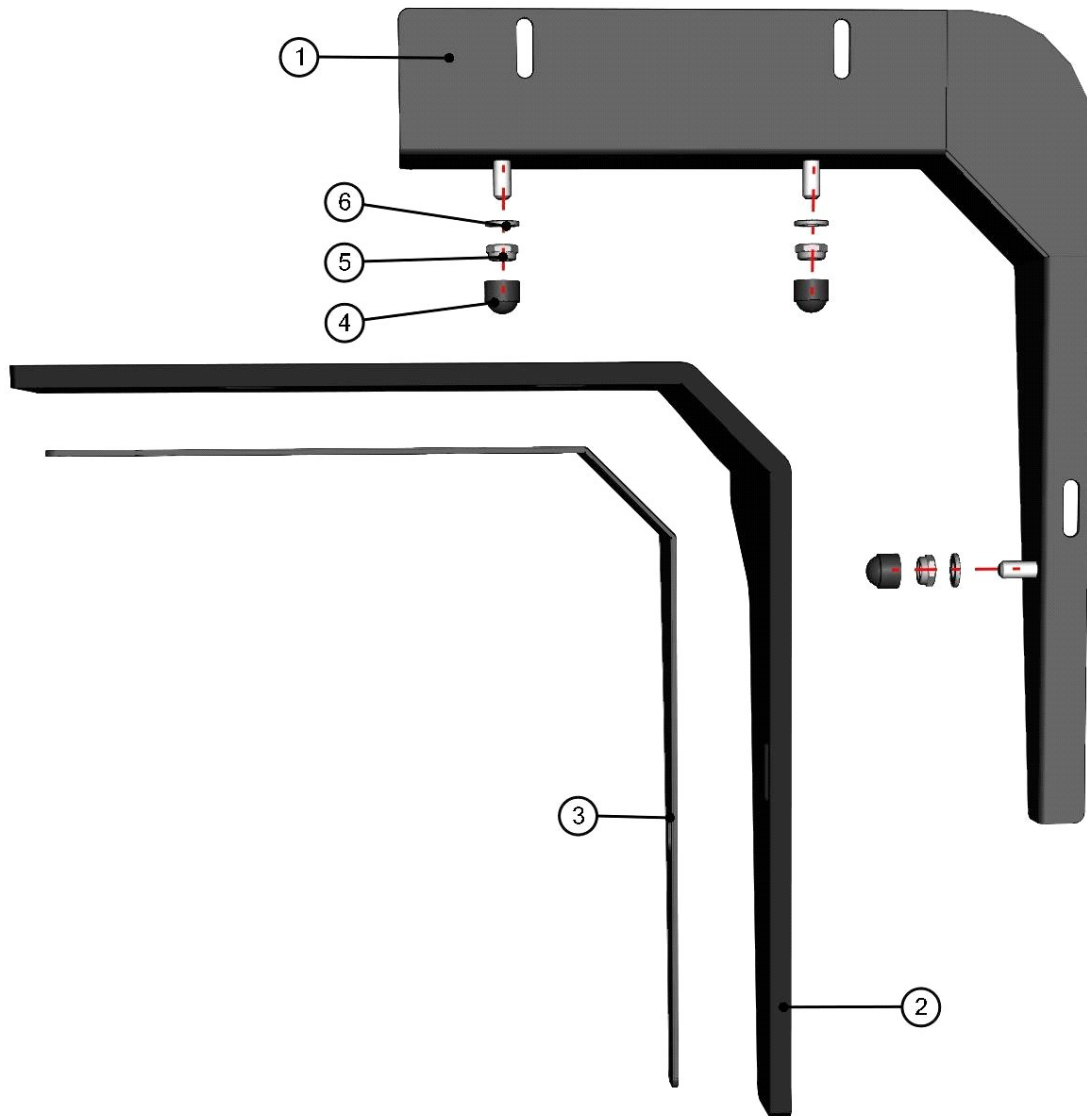


58

ID	Catalogue no.	Description	Qty
1	50S02U02-50-003	RIGHT WINDOW FRAME	1
2	50S02U02-40-004	MOVABLE WINDOW	1
3	50S02U02-40-020	SOLID WINDOW	1
4	00-40M008	WINDOW LOCK	1
5	001762	WINDOW STOP	1

FOR ALL QUESTIONS OR PART ORDERS, PLEASE CALL
DFK AMERICA INC.
630-324-8585, OPTION 3

BYPASS TANK CAP ASSEMBLY

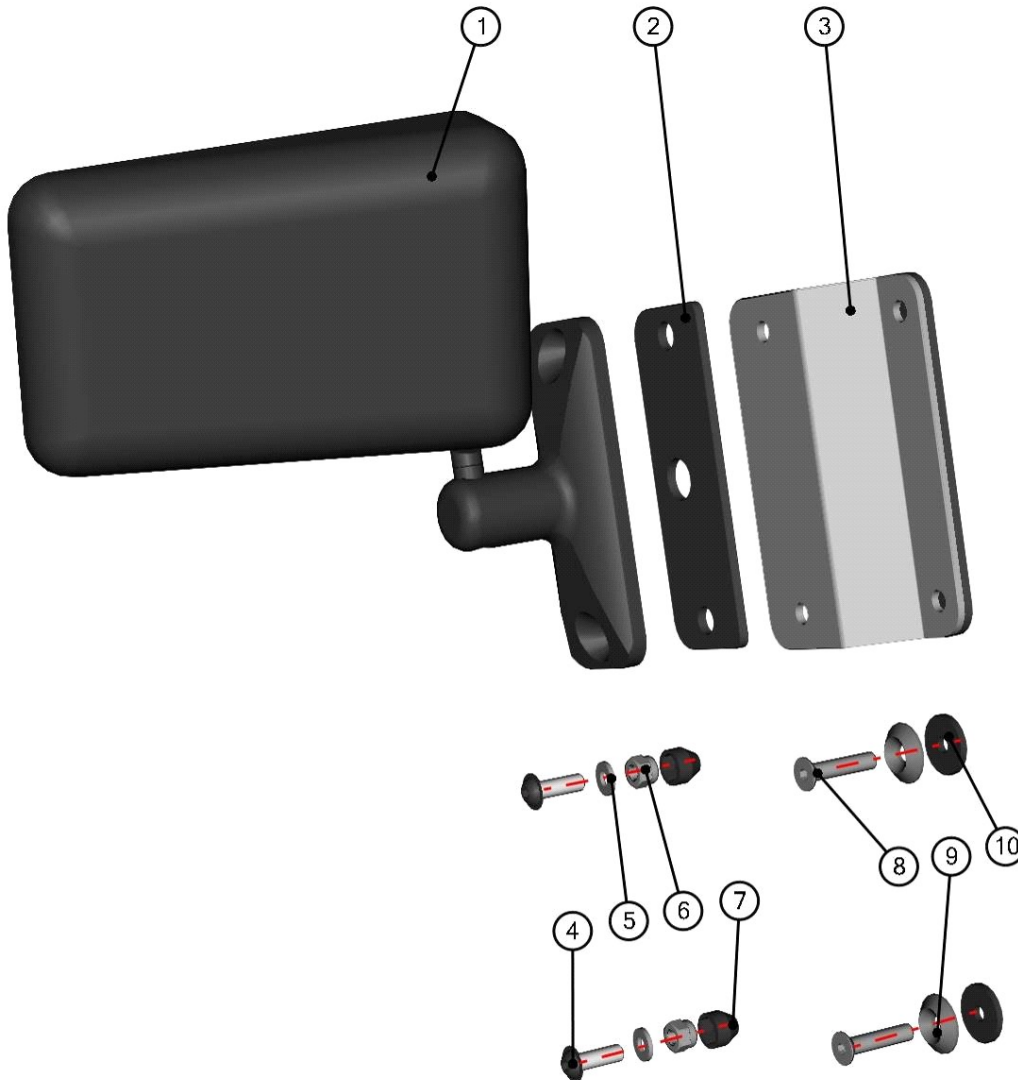


59

ID	Catalogue no.	Description	Qty
1	50S02U02-50W020	BYPASS TANK CAP WELDED	1
2	50S02U02-50-027	BYPASS TANK CAP EPDM	1
3	50S02U02-50-028	BYPASS TANK CAP LEDGE	1
4	001309	PLASTIC COVER OK 13	1
5	001388	SELF-LOCKING NUT M8	1
6	001387	WASHER 8	1

FOR ALL QUESTIONS OR PART ORDERS, PLEASE CALL
DFK AMERICA INC.
630-324-8585, OPTION 3

RIGHT REAR VIEW MIRROR ASSEMBLY

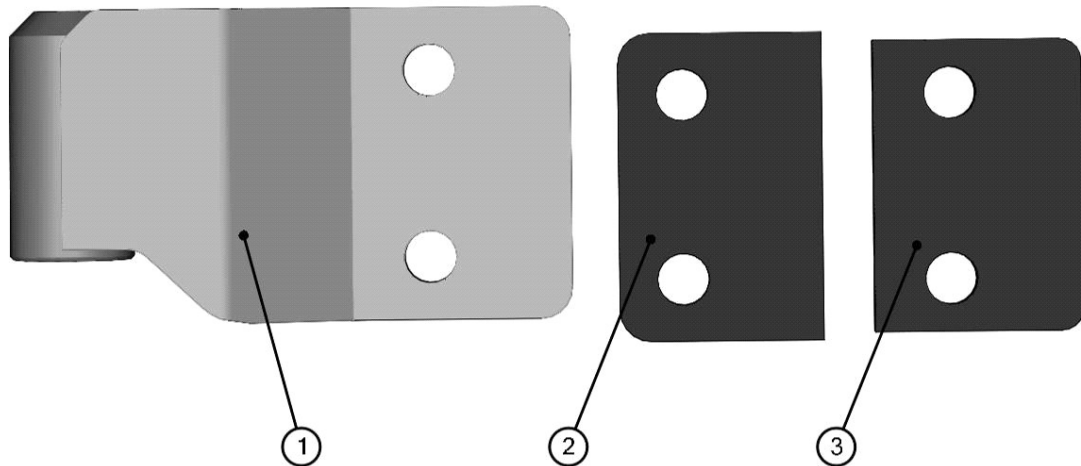
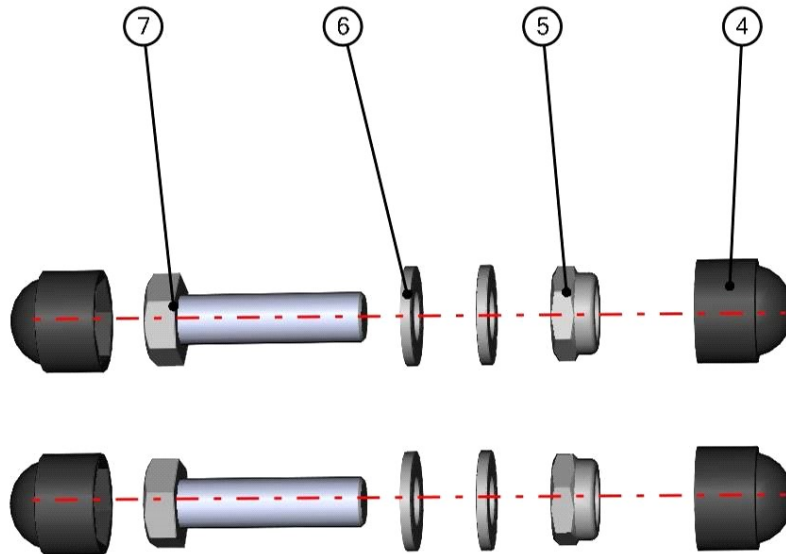


60

ID	Catalogue no.	Description	Qty
1	002774	RIGHT REAR VIEW MIRROR	1
2	00-109U-001	MIRROR RUBBER WASHER "SEMPERIT"	1
3	00-109U-002	REAR VIEW MIRROR HOLDER	1
4	001723	SCREW M6x20	2
5	001426	WASHER 6	2
6	001392	SELF-LOCKING NUT M6	2
7	001348	PLASTIC COVER OK 10	2
8	001701	SCREW M6x30	2
9	001715	PLASTIC WASHER	2
10	001735	RUBBER WASHER EPDM	2

FOR ALL QUESTIONS OR PART ORDERS, PLEASE CALL
DFK AMERICA INC.
630-324-8585, OPTION 3

RIGHT DOOR HINGE ASSEMBLY

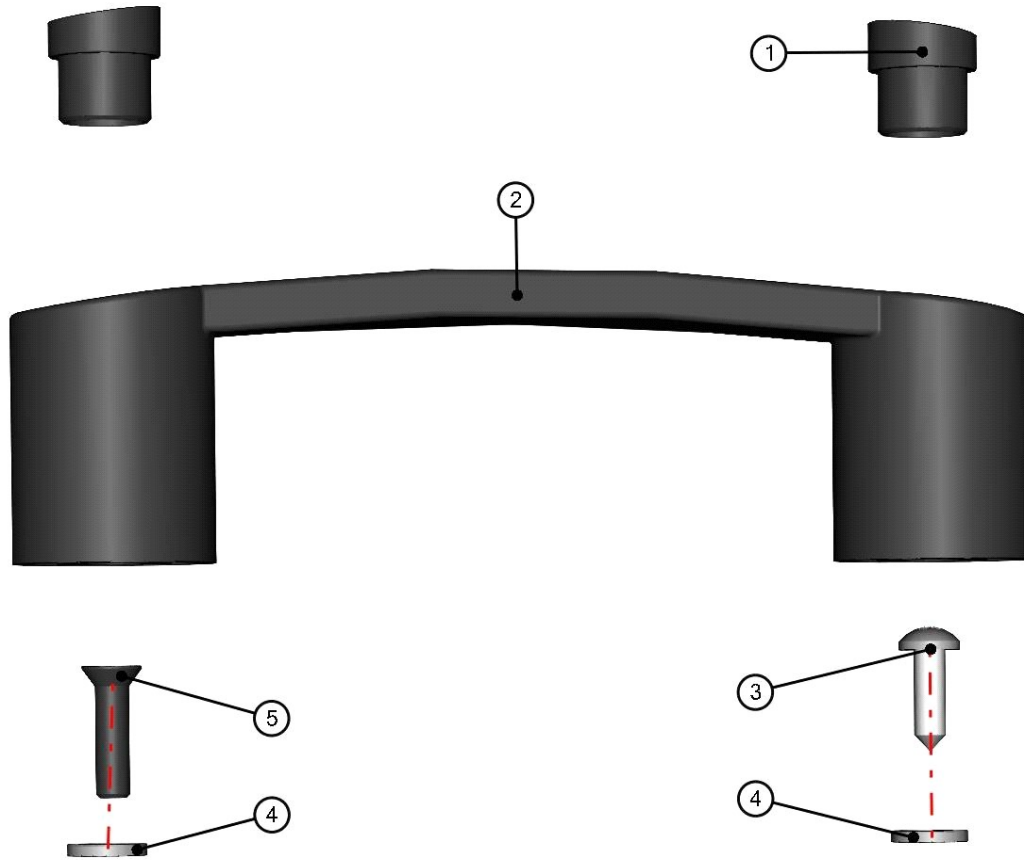


61

ID	Catalogue no.	Description	Qty
1	00-105U-W003	RIGHT DOOR HINGE WELDED	1
2	00-105U-014	HINGE SEMPERIT 1	1
3	00-105U-015	HINGE SEMPERIT 2	1
4	001309	PLASTIC COVER OK 13	4
5	001388	SELF-LOCKING NUT M8	2
6	001387	WASHER 8	4
7	001411	SCREW M8x30	2

FOR ALL QUESTIONS OR PART ORDERS, PLEASE CALL
DFK AMERICA INC.
630-324-8585, OPTION 3

DOOR HANDLE ASSEMBLY

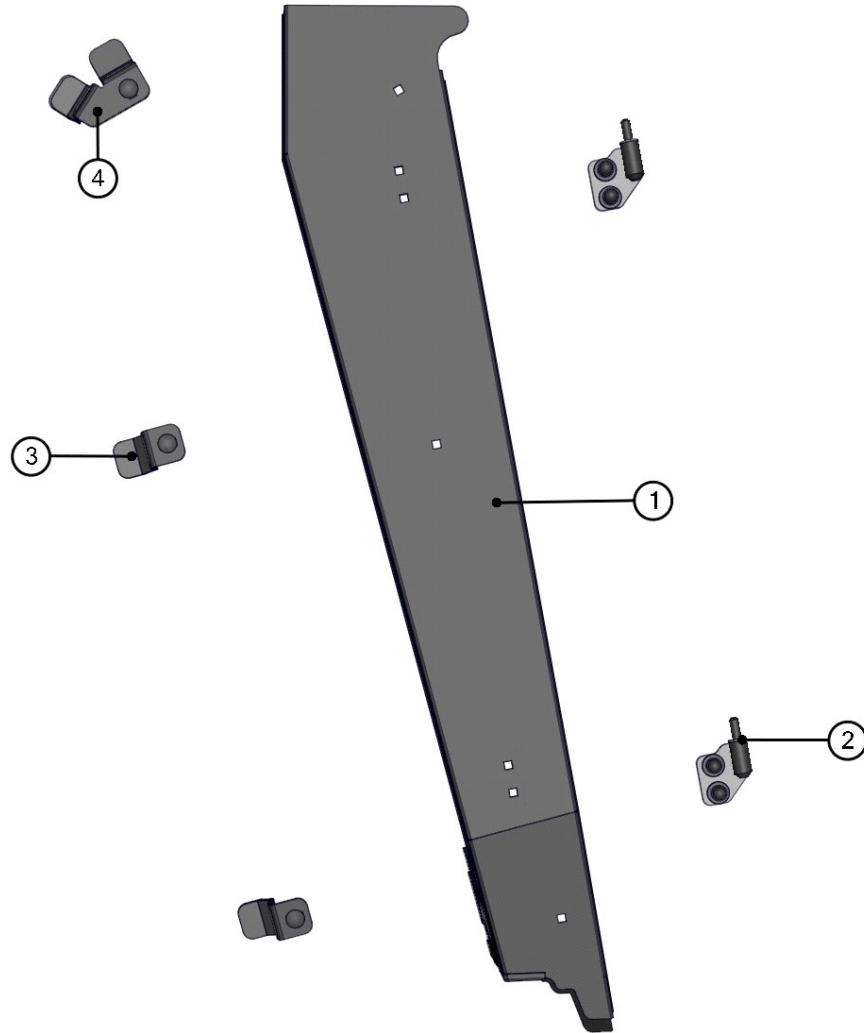


62

ID	Catalogue no.	Description	Qty
1	001706	HANDLE SCREW COVER	2
2	001703	DOOR HANDLE	1
3	001391	SELF CUTTING SCREW	1
4	001426	WASHER 6	2
5	004246	SCREW M5x20	1

FOR ALL QUESTIONS OR PART ORDERS, PLEASE CALL
DFK AMERICA INC.
630-324-8585, OPTION 3

RIGHT DOOR BASE ASSEMBLY

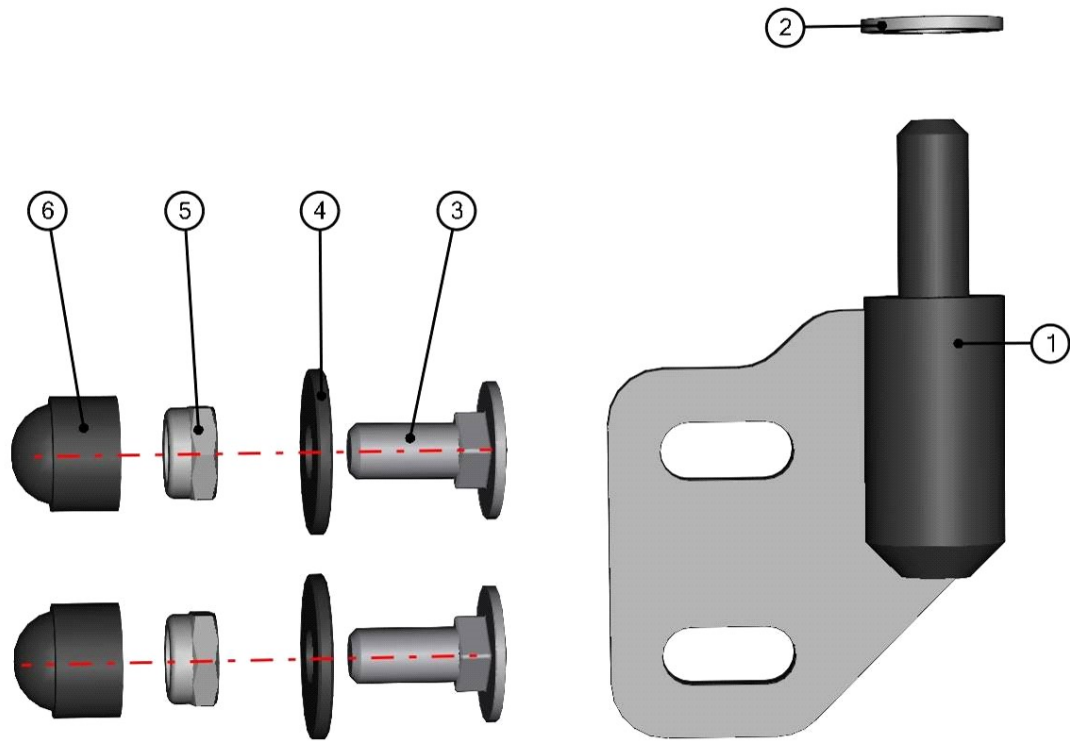


63

ID	Catalogue no.	Description	Qty
1	50S02U02-50W002	RIGHT DOOR BASE WELDED	1
2	50S02U02-50M003	RIGHT DOOR BASE HINGE ASSEMBLY	2
3	50S02U02-40M006	DOOR BASE HOLDER ASSEMBLY	2
4	50S02U02-50M012	RIGHT DOOR BASE UPPER HOLDER	1

FOR ALL QUESTIONS OR PART ORDERS, PLEASE CALL
DFK AMERICA INC.
630-324-8585, OPTION 3

RIGHT DOOR BASE HINGE ASSEMBLY

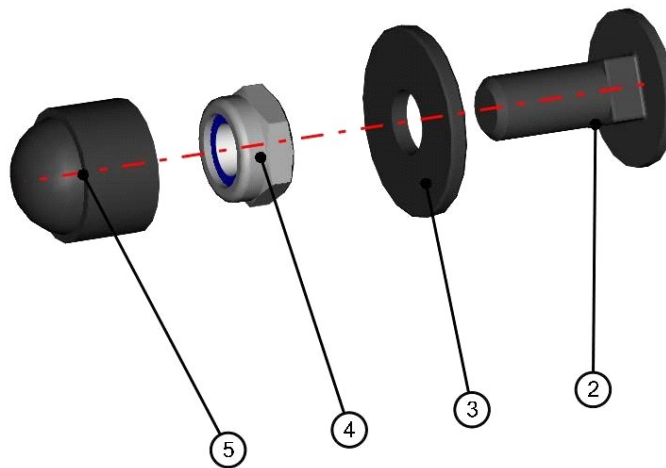
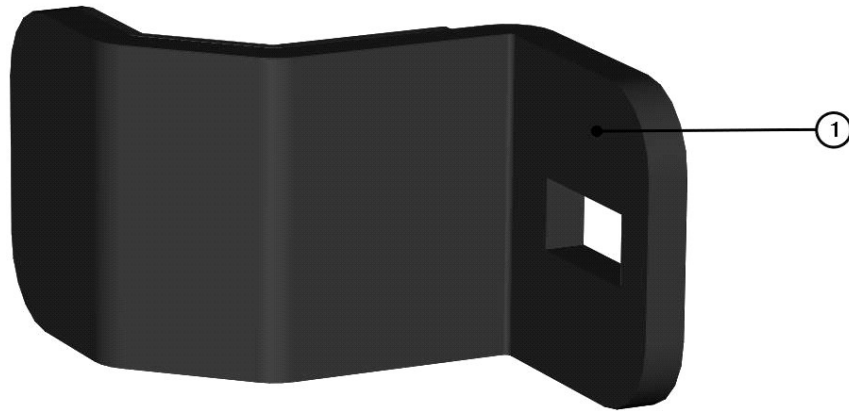


64

ID	Catalogue no.	Description	Qty
1	00-105U-W001	RIGHT DOOR BASE HINHE WELDED	1
2	001485	WASHER 8	1
3	002575	SCREW M8x20	2
4	003322	RIVER WASHER 8	2
5	001388	SELF-LOCKING NUT M8	2
6	001309	PLASTIC COVER OK 13	2

FOR ALL QUESTIONS OR PART ORDERS, PLEASE CALL
DFK AMERICA INC.
630-324-8585, OPTION 3

DOOR BASE HOLDER

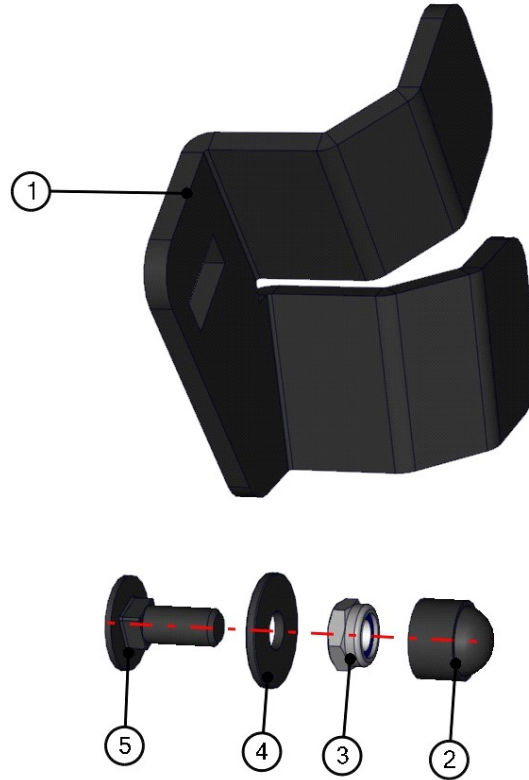


65

ID	Catalogue no.	Description	Qty
1	50S02U02-40-017	DOOR BASE HOLDER	1
2	002575	SCREW M8x20	1
3	003322	RIVET WASHER 8	1
4	001388	SELF-LOCKING NUT M8	1
5	001309	PLASTIC COVER OK 13	1

FOR ALL QUESTIONS OR PART ORDERS, PLEASE CALL
DFK AMERICA INC.
630-324-8585, OPTION 3

RIGHT DOOR BASE UPPER HOLDER

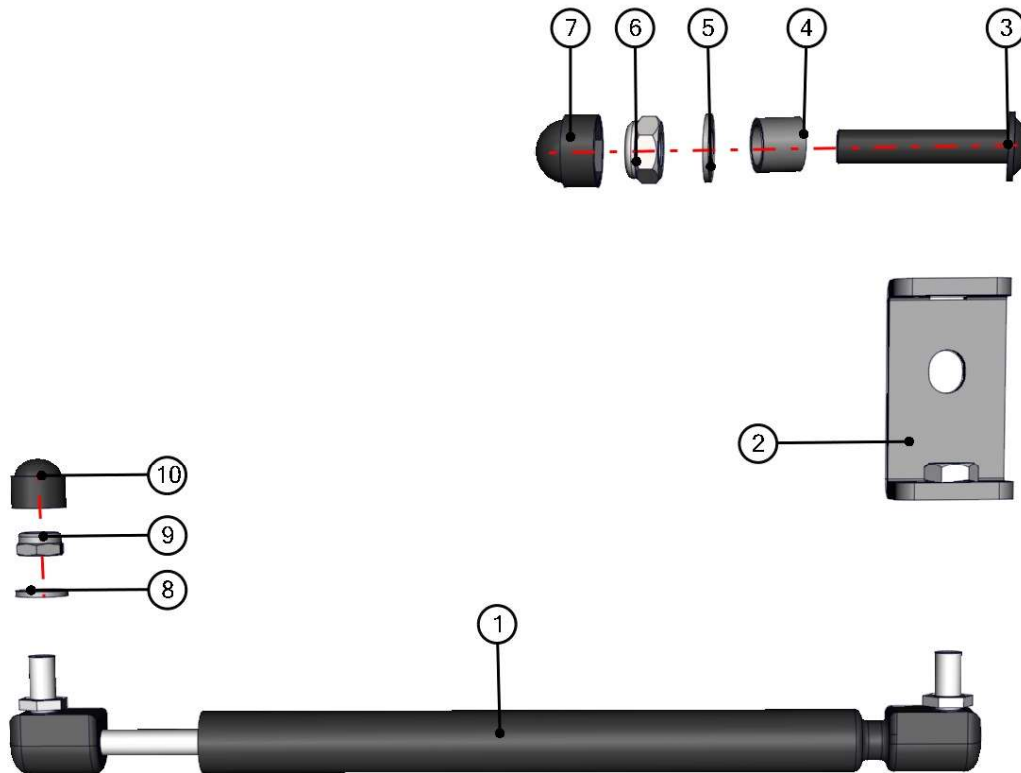


66

ID	Catalogue no.	Description	Qty
1	50S02U02-50-029	RIGHT DOOR BASE UPPER HOLDER	1
2	001309	PLASTIC NUT COVER OK 13	1
3	001388	SELF-LOCKING NUT M8	1
4	003322	RIVET WASHER 8	1
5	002575	SCREW M8x20	1

FOR ALL QUESTIONS OR PART ORDERS, PLEASE CALL
DFK AMERICA INC.
630-324-8585, OPTION 3

GAS SPRING ASSEMBLY

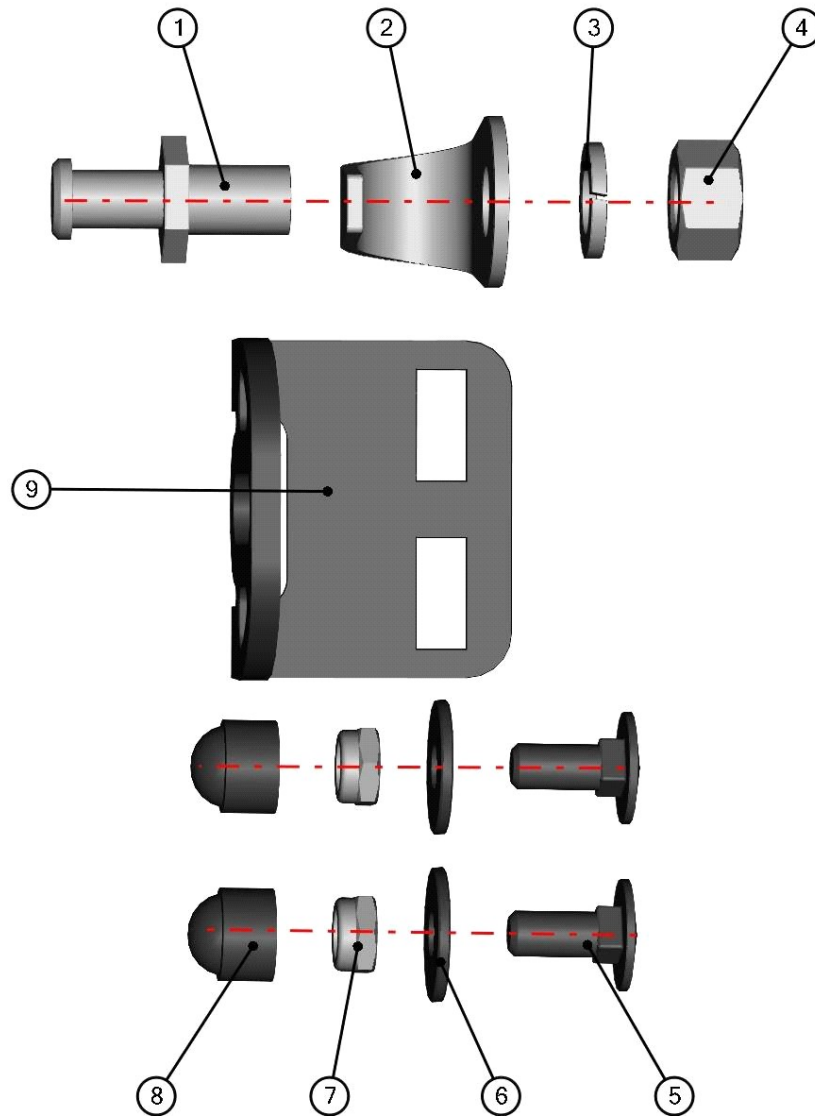


67

ID	Catalogue no.	Description	Qty
1	000868	GAS SPRING	1
2	50S02U02-40W004	DOOR GAS SPRING HOLDER WELDED	1
3	005630	SCREW M10x50	1
4	50S02U02-40-031	DISTANCE TUBE	1
5	004447	WASHER 10	1
6	002533	SELF-LOCKING NUT M10	1
7	002363	PLASTIC NUT COVER OK 17	1
8	001387	WASHER 8	1
9	001388	SELF-LOCKING NUT M8	1
10	001309	PLASTIC NUT COVER OK 13	1

FOR ALL QUESTIONS OR PART ORDERS, PLEASE CALL
DFK AMERICA INC.
630-324-8585, OPTION 3

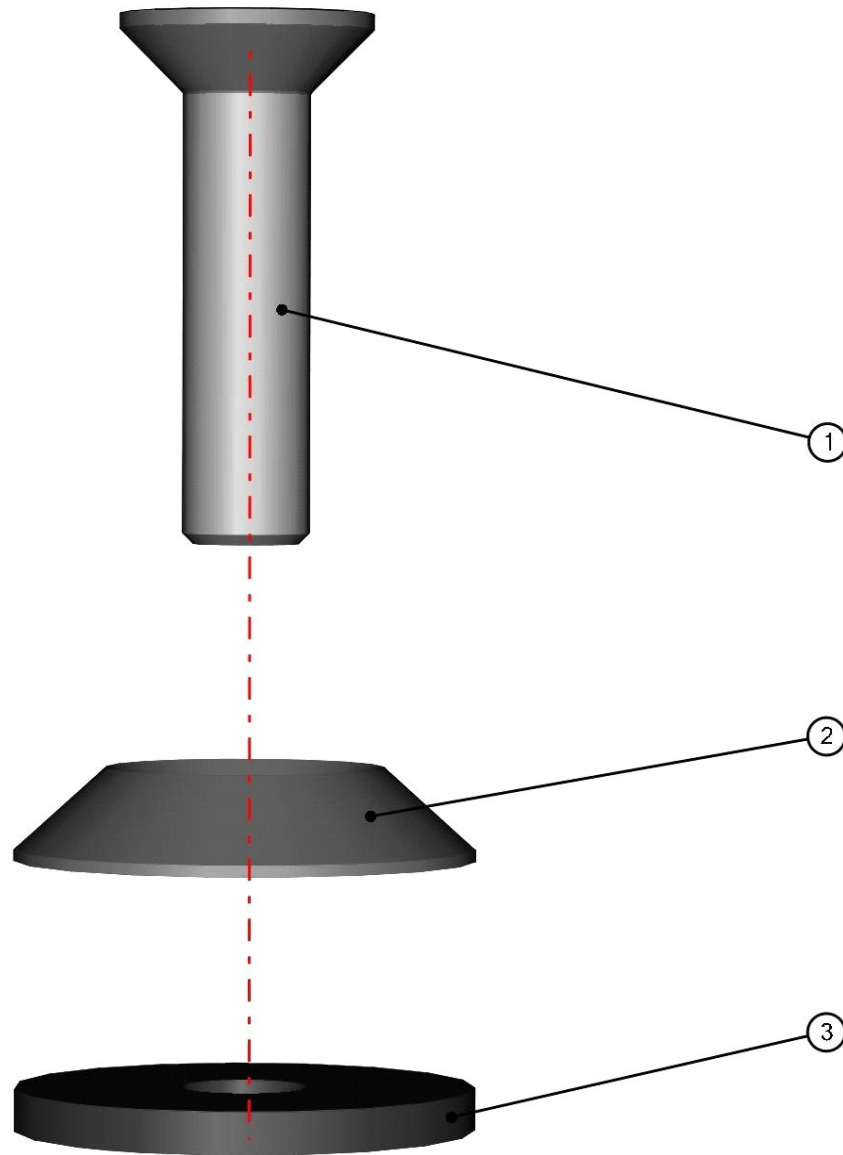
DOOR STOP HOLDER ASSEMBLY



ID	Catalogue no.	Description	Qty
1	000854	DOOR STOP PIN	1
2	000855	DOOR STOP HOOK	1
3	000857	DOOR STOP WASHER	1
4	000856	DOOR STOP NUT	1
5	002575	SCREW M8x20	2
6	003322	RIVET WASHER 8	2
7	001388	SELF-LOCKING NUT M8	2
8	001309	PLASTIC COVER OK 13	2
9	50S02U02-40-019	DOOR STOP HOLDER	1

FOR ALL QUESTIONS OR PART ORDERS, PLEASE CALL
DFK AMERICA INC.
630-324-8585, OPTION 3

POLYCARBONATE FIXING ASSEMBLY



69




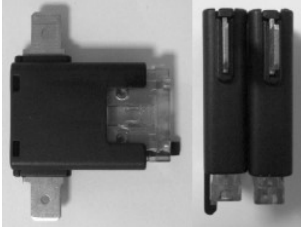




ID	Catalogue no.	Description	Qty
1	002120	SCREW M6x30	1
2	001715	PLASTIC WASHER	1
3	001735	RUBBER WASHER EPDM	1







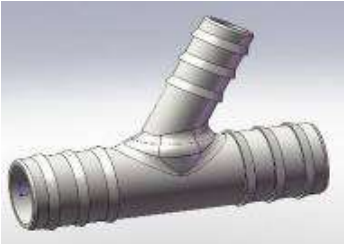
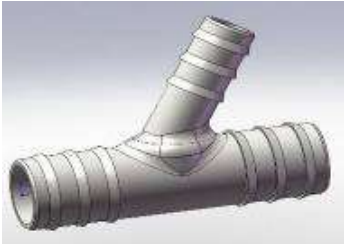

FOR ALL QUESTIONS OR PART ORDERS, PLEASE CALL
DFK AMERICA INC.
630-324-8585, OPTION 3







ELECTROINSTALLATION

Position	Catalogue no.	Description	Qty
1	004322	SWITCH WIPER /WASHER /OFF	1
2	000885	WASHER TANK	1
3	001576	WASHER MOTOR	1
4	002875	FUSE BOX	3
5	50S02U01-03M001	WASHER HARNESS	1
6	002764	WIPER MOTOR 12V	1
7	50S02U02-01M001	WIPER HARNESS	1
8	002386	ELECTROMAGNETIC VALVE	1
9	50S02U02-01M003	RELAY HARNESS	1
10	002795	AIR HOSE	1
11	000896	HEATER HOSE	1
12	001367	TIGHTENING STRAP 12-22 MM	10
13	002491	AIR VENT VALVE	1
14	001368	TIGHTENING STRAP 40-60 MM	8
15	002643	TIGHTENING STRAP 21-38 MM	4
16	002502	HEATER TUBE "Y"	2
17	002503	HEATER TUBE "Y"	2
18	002705	AL TAPE	1
19	50S02U02-02M003	HEATER HOLDER ASSEMBLY	1
20	50S02U01-02M005	HEATER HARNESS	1
21	004307	HEATER	1
22	50S02U02-01M002	WIPER/WASHER SWITCH HARNESS	2

		
<p>Position : 1</p>	<p>Position : 2</p>	<p>Position : 3</p>
<p>Catalogue no.: 004322</p>	<p>Catalogue no.: 000885</p>	<p>Catalogue no.: 001576</p>
		
<p>Position : 4</p>	<p>Position : 5</p>	<p>Position : 6</p>
<p>Catalogue no.: 002875</p>	<p>Catalogue no.: 50S02U01-03M001</p>	<p>Catalogue no.: 002764</p>
		
<p>Position : 7</p>	<p>Position : 8</p>	<p>Position : 9</p>
<p>Catalogue no.: 50S02U02-01M001</p>	<p>Catalogue no.: 002386</p>	<p>Catalogue no.: 50S02U02-01M003</p>

		
<p>Position : 10 Catalogue no.: 002795</p>	<p>Position : 11 Catalogue no.: 000896</p>	<p>Position : 12 Catalogue no.: 001367</p>
		
<p>Position : 13 Catalogue no.: 002491</p>	<p>Position : 14 Catalogue no.: 001368</p>	<p>Position : 15 Catalogue no.: 002643</p>
		
<p>Position : 16 Catalogue no.: 002502</p>	<p>Position : 17 Catalogue no.: 002503</p>	<p>Position : 18 Catalogue no.: 002705</p>

		
<p>Position : 19</p>	<p>Position : 20</p>	<p>Position : 21</p>
<p>Catalogue no.: 52S03U01-02M003</p>	<p>Catalogue no.: 50S02U01-02M005</p>	<p>Catalogue no.: 002346</p>
		
<p>Position : 22</p>		
<p>Catalogue no.: 50S02U02-01M002</p>		