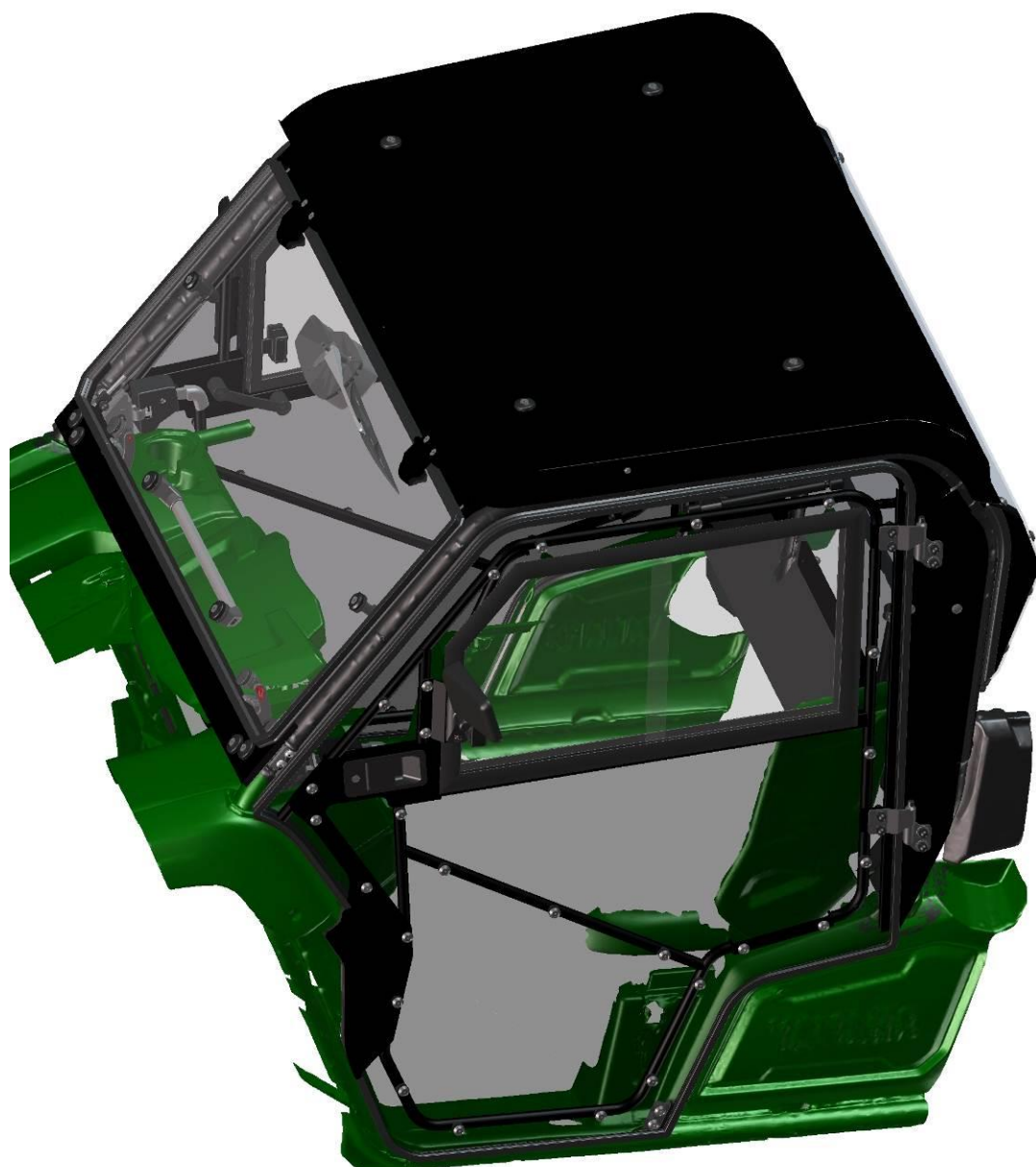


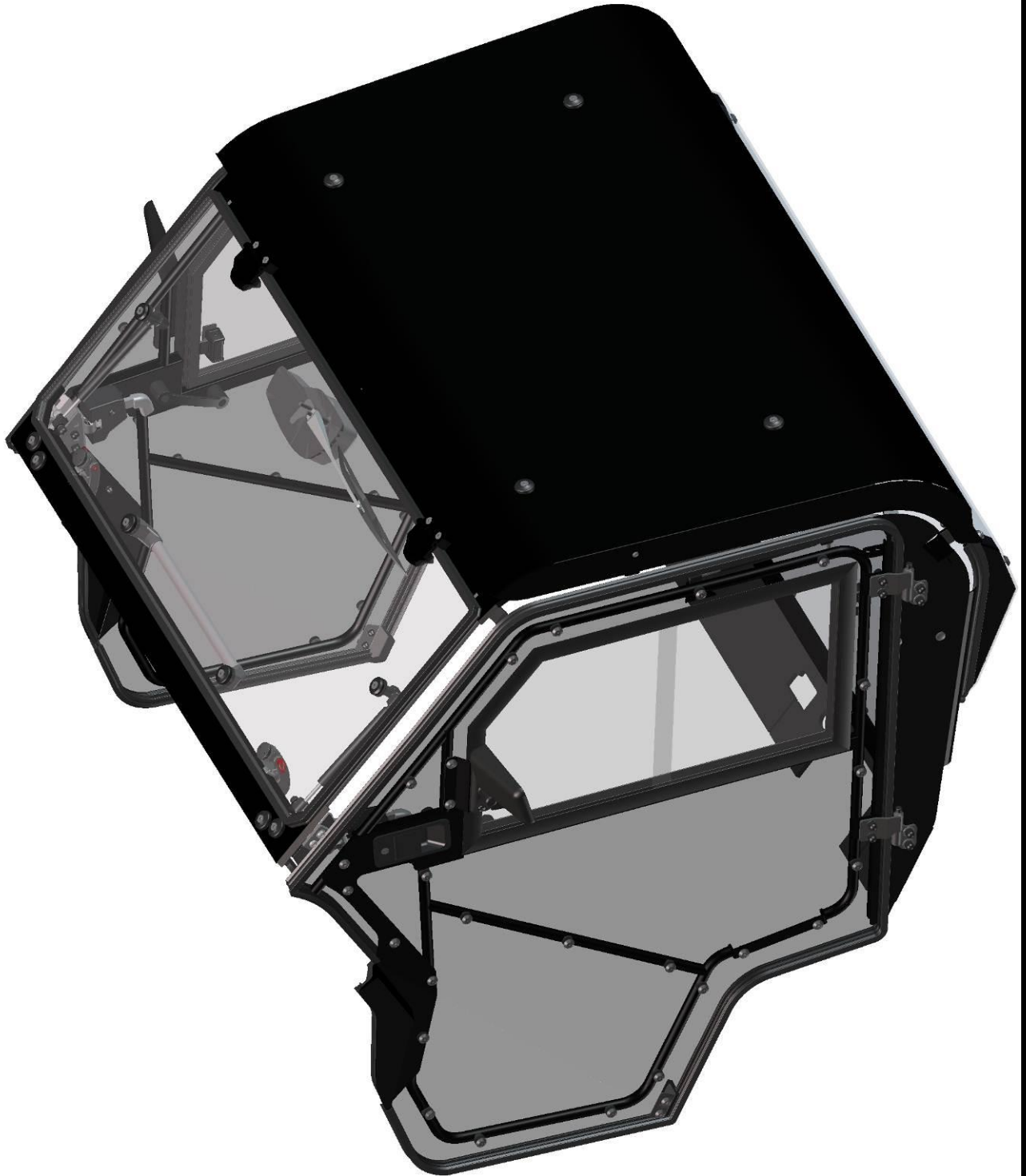


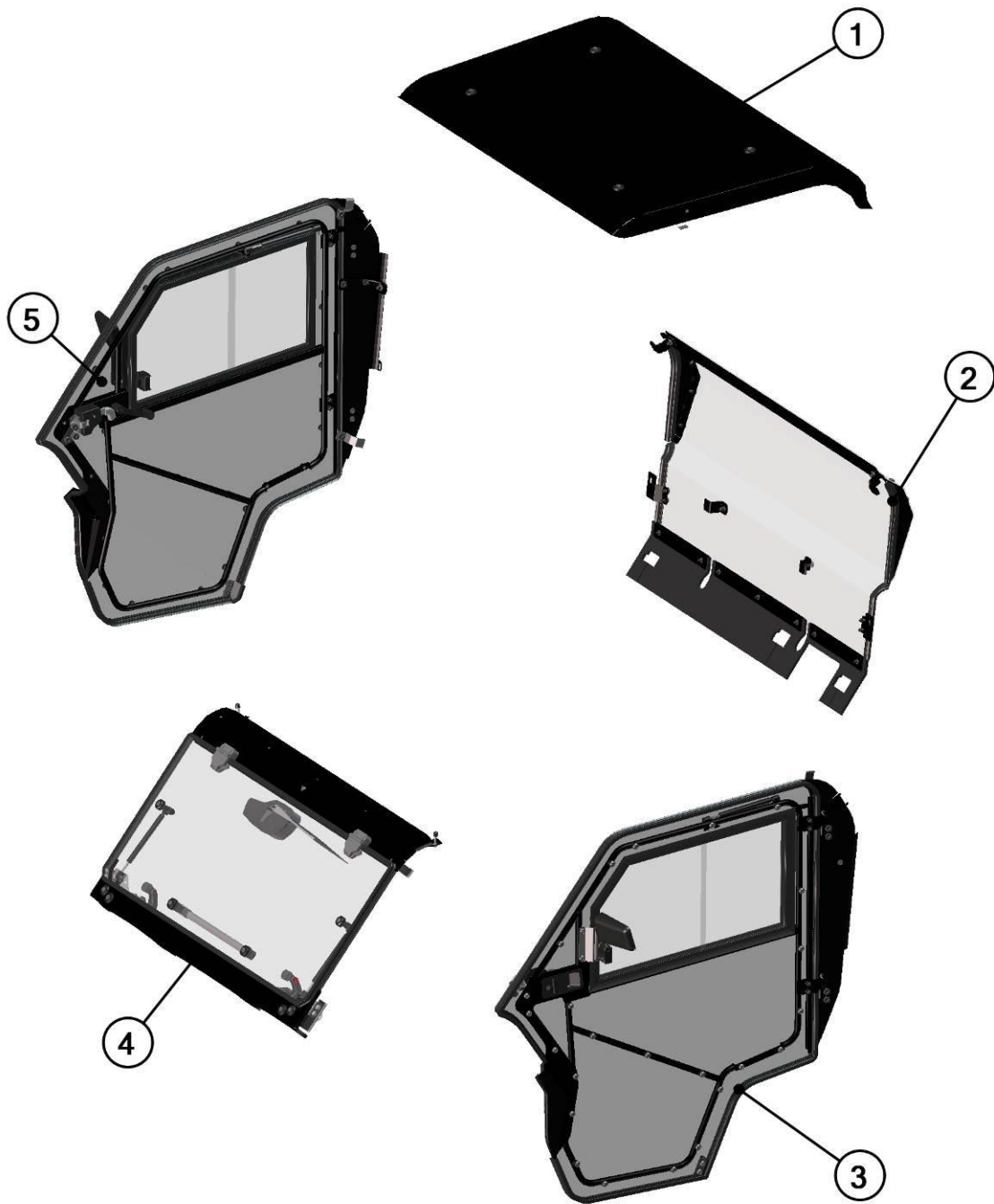
SPARE - PARTS CATALOGUE

YAMAHA
VIKING YXM 700



CAB PREVIEW





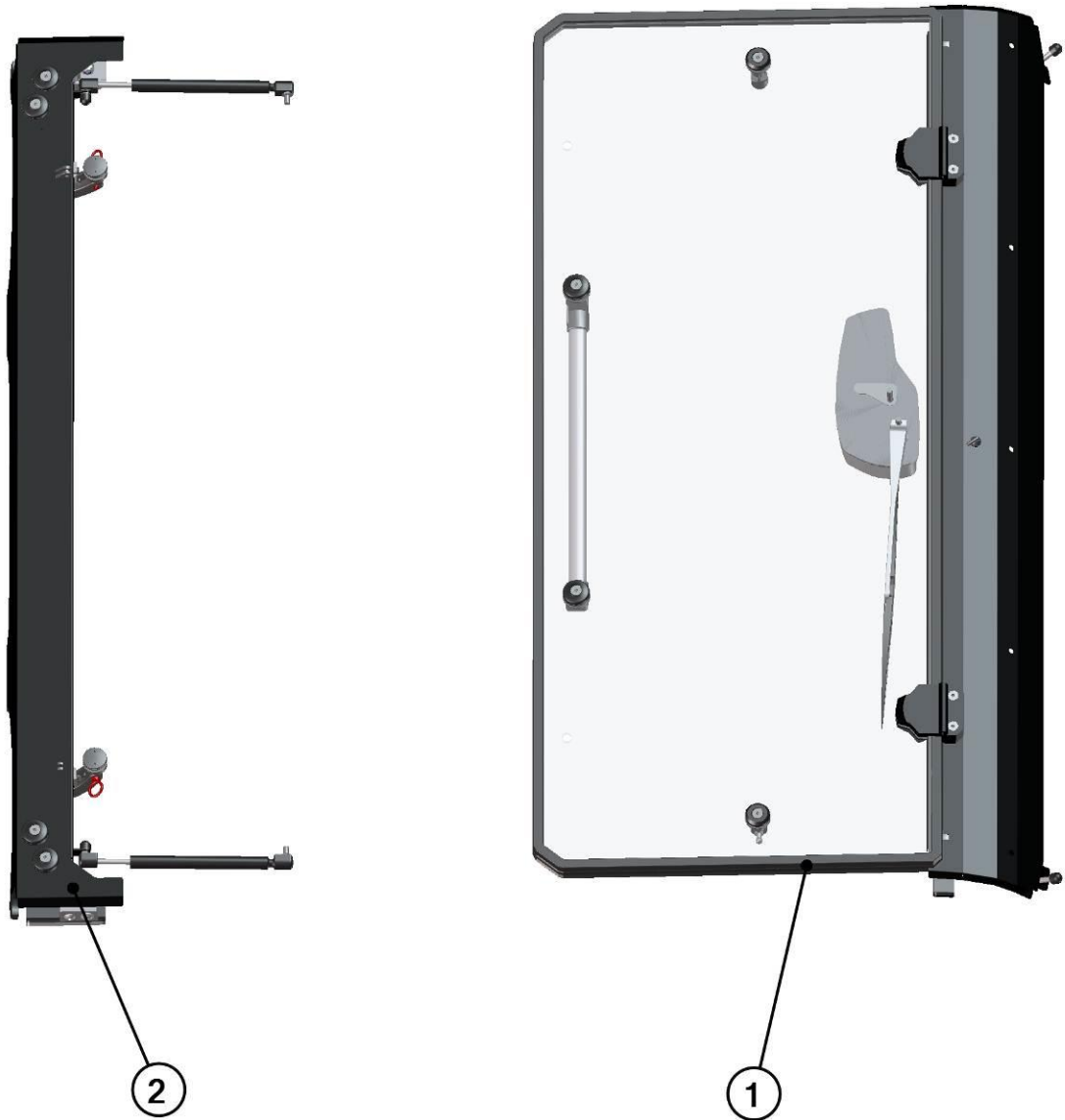
3

Position	Catalogue no.	Description	Qty
1	41S04U01S30	ROOF	1
2	41S04U01S20	REAR PANEL	1
3	41S04U01S40	LEFT DOOR	1
4	41S04U01S10	FRONT PANEL	1
5	41S04U01S50	RIGHT DOOR	1

FOR ALL TECHNICAL QUESTIONS, PLEASE CALL
 DFK AMERICA INC.
 (630) 324-6793

FRONT PANEL



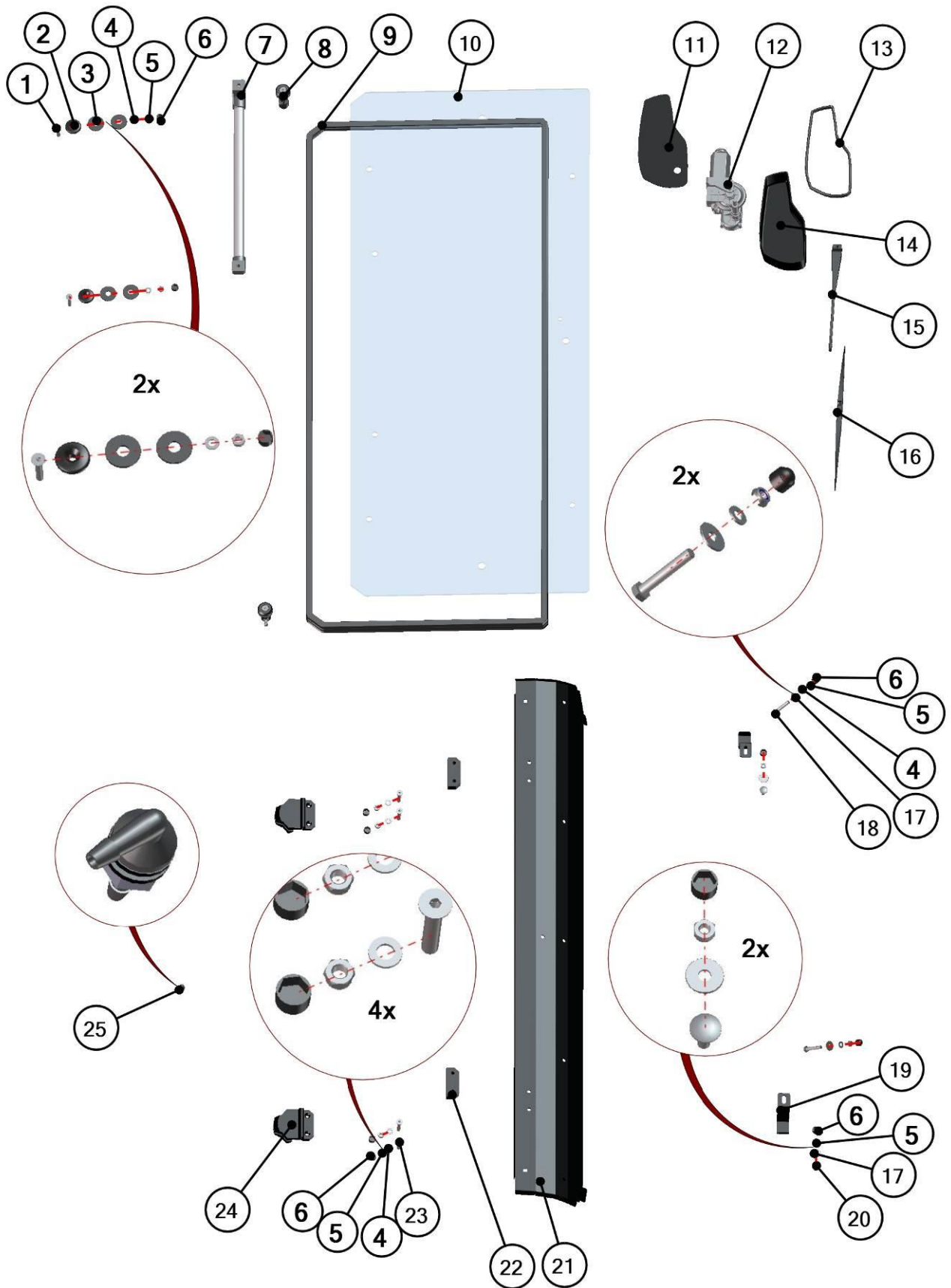


Position	Catalogue no.	Description	Qty
1	*****	FRONT UPPER ASSEMBLY	1
2	*****	FRONT BOTTOM ASSEMBLY	1

FOR ALL TECHNICAL QUESTIONS, PLEASE CALL
 DFK AMERICA INC.
 (630) 324-6793

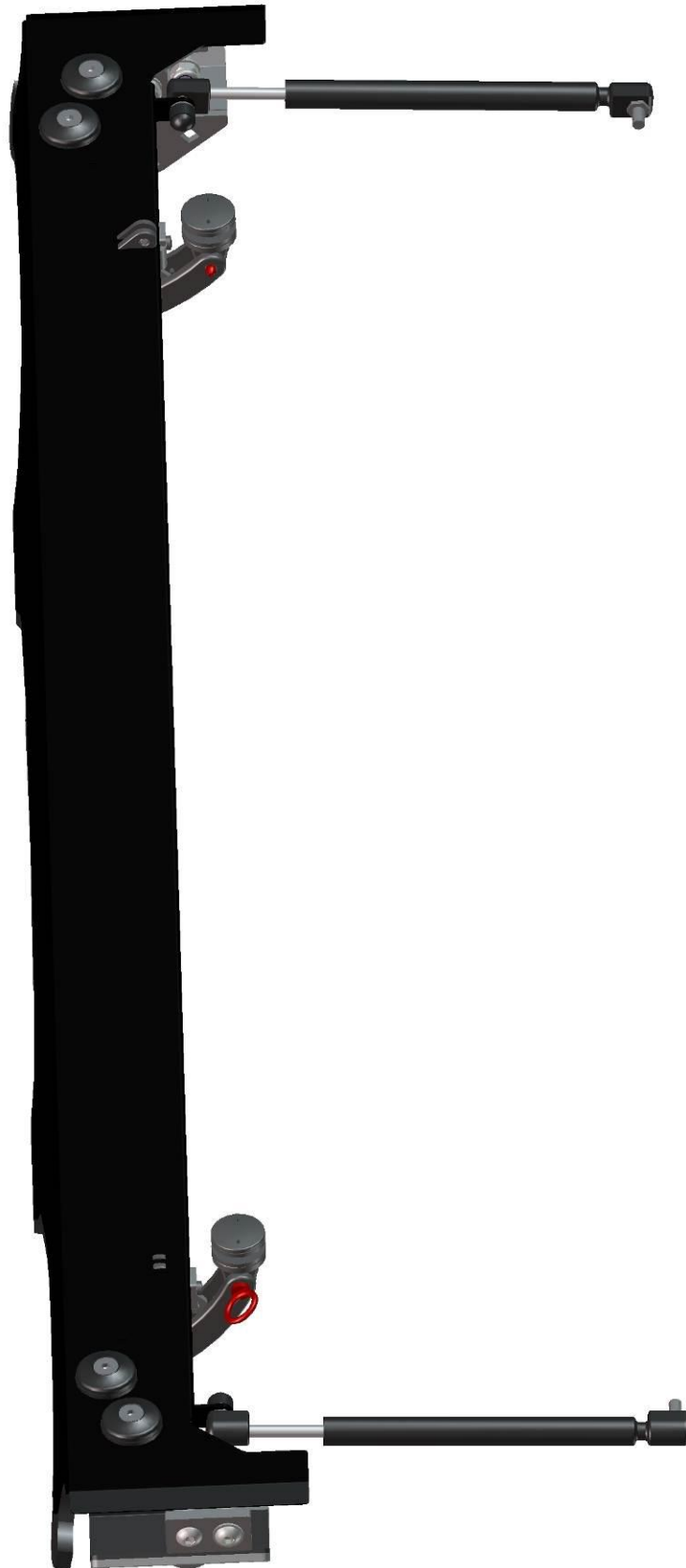
FRONT UPPER ASSEMBLY



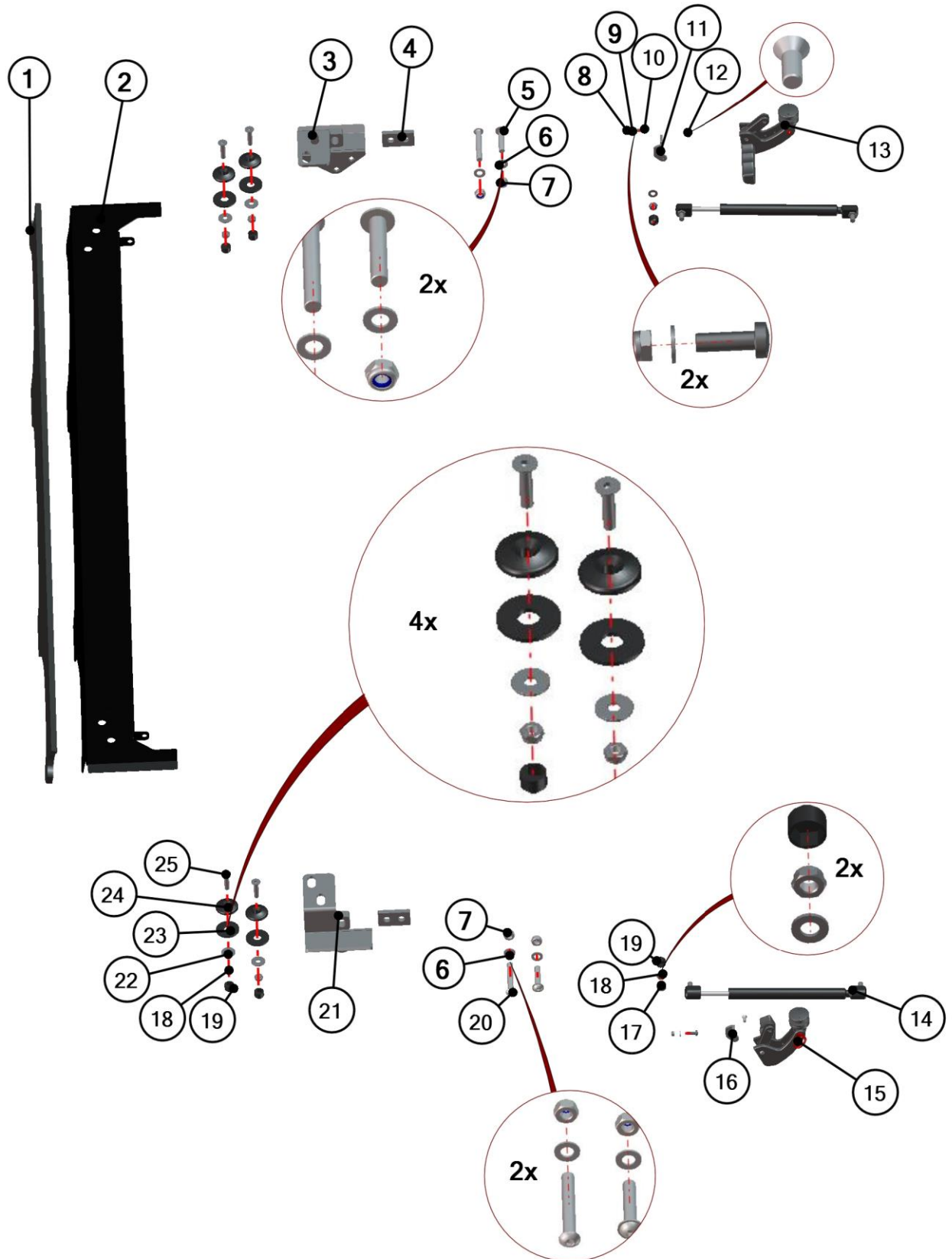


Position	Catalogue no.	Description	Qty
1	001694	SCREW M8x45	2
2	001429	PLASTIC WASHER 8	2
3	001428	RUBBER WASHER 8	4
4	001387	WASHER 8	8
5	001388	SELF-LOCKING NUT M8	10
6	001309	PLASTIC NUT COVER	10
7	002496	FRONT WINDOW HANDLE	1
8	001693	GAS SPRING HOLDER	2
9	001012^41S04U01-10M003	RUBBER PROFILE "PIRELA GLASS"	1
10	41S04U01-10-008	FRONT GLASS	1
11	00-025E02	WIPER MOTOR LEDGE	1
12	002764	WIPER MOTOR	1
13	001001^00-10M005	RUBBER PROFILE "LEMOVKA"	1
14	001722	WIPER MOTOR COVER	1
15	002535	WIPER ARM	1
16	002538	WIPER LATCH	1
17	001407	WASHER 8 LARGE	4
18	001438	SCREW M8x50	2
19	41S04U01-10-004	FRONT UPPER LEDGE HOLDER	2
20	002575	SCREW M8x20	2
21	41S04U01-10W002	FRONT UPPER LEDGE	1
22	000863	HINGE BASE	2
23	001386	SCREW M8x45	4
24	000862	PLASTIC HINGE	2
25	002096	WASHER TUBE "L"	1

FRONT BOTTOM ASSEMBLY

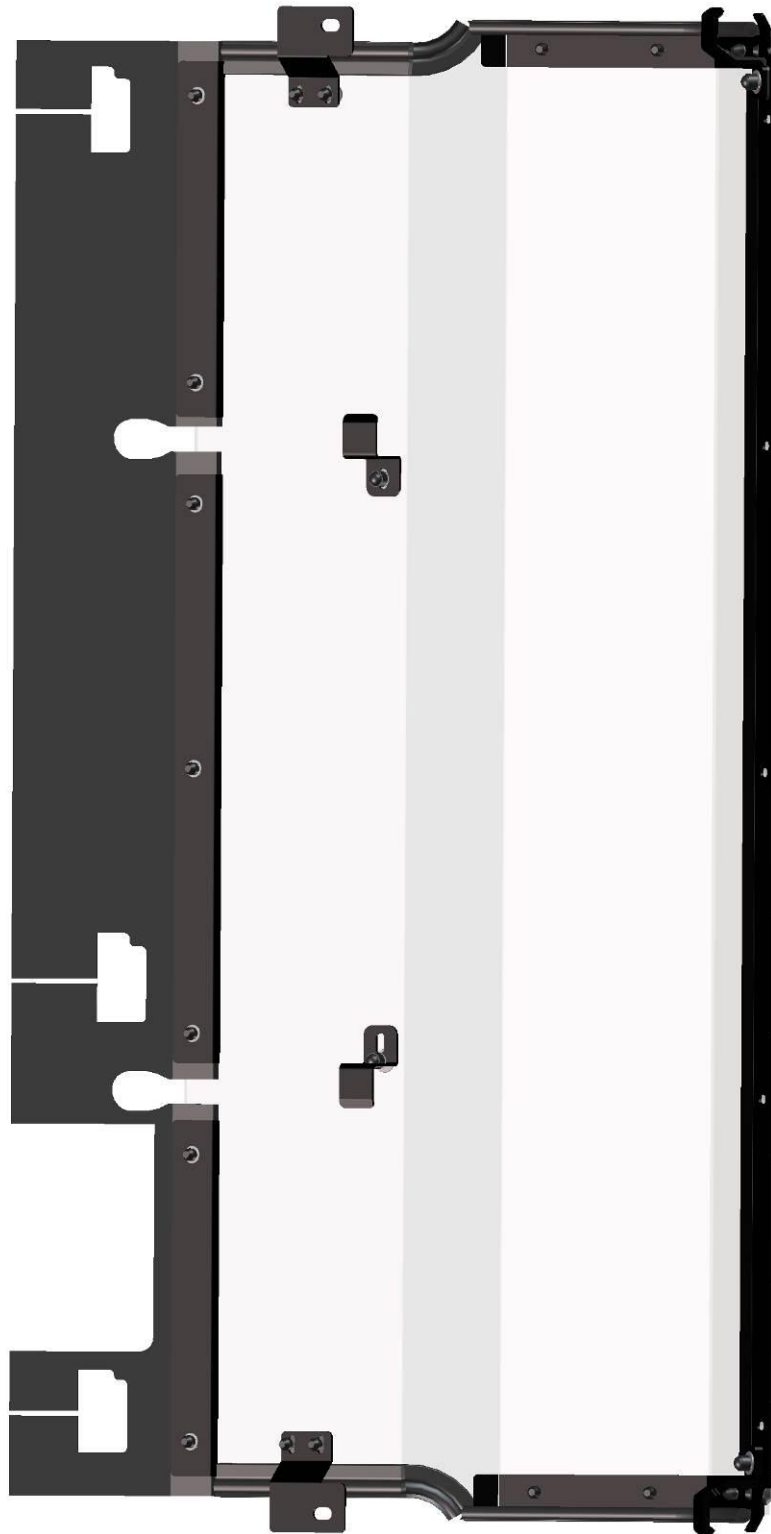


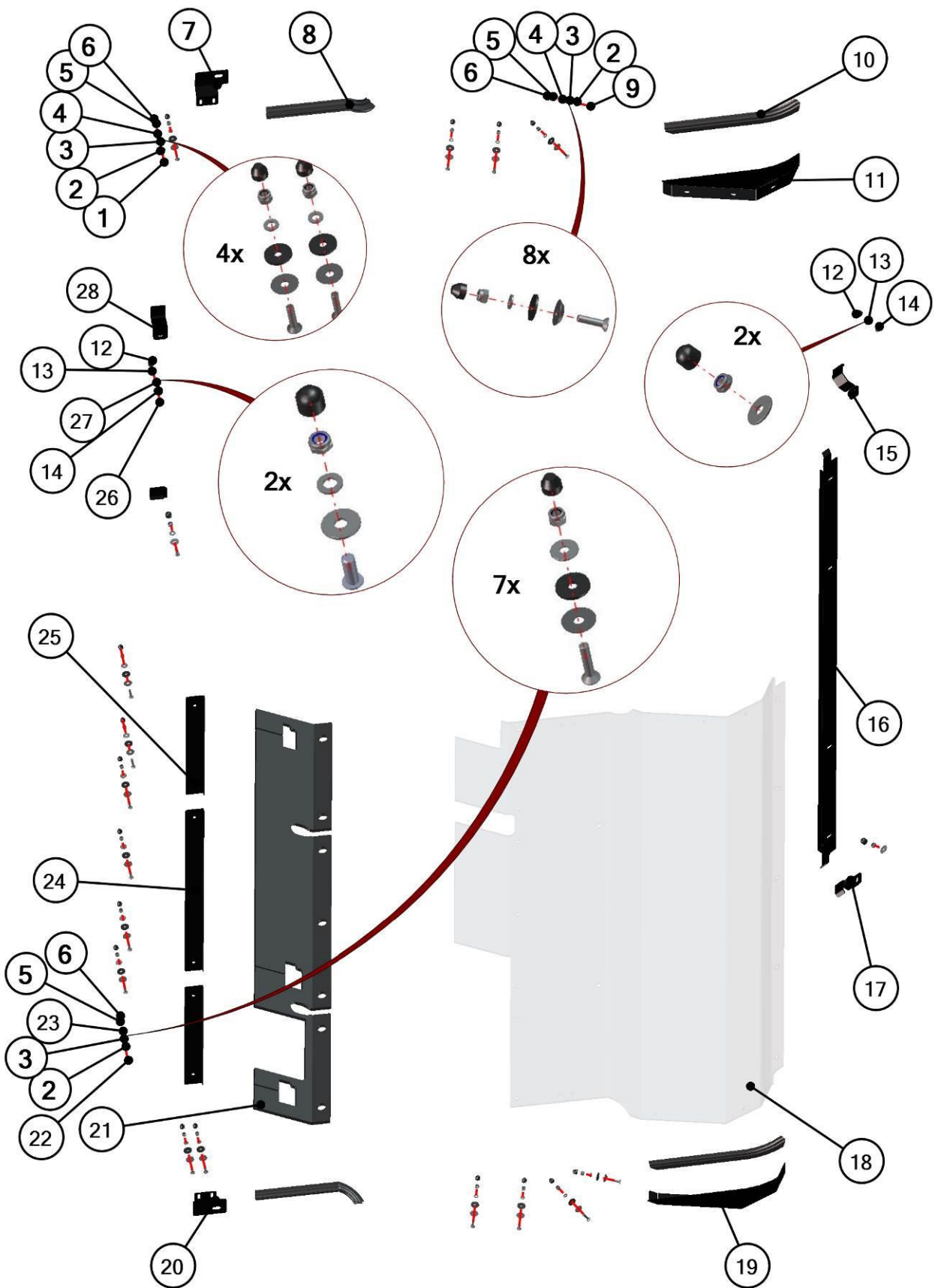
FOR ALL TECHNICAL QUESTIONS, PLEASE CALL
DFK AMERICA INC.
(630) 324-6793



Position	Catalogue no.	Description	Qty
1	41S04U01-10-007	FRONT BOTTOM EPDM	1
2	41S04U01-10W001	FRONT BOTTOM LEDGE	1
3	41S04U01-10W005	RIGHT BOTTOM HOLDER	1
4	41S04U01-10-022	FRONT SIDE LEDGE	2
5	002768	SCREW M10x50	2
6	001485	WASHER 10	4
7	002533	SELF-LOCKING NUT M10	4
8	002265	SELF-LOCKING NUT M5	2
9	001484	WASHER 5	2
10	002367	SCREW M5x16	2
11	00-112U-005	RIGHT GLASS LOCK HOLDER	1
12	002397	SCREW M5x12	2
13	002641	RIGHT GLASS LOCK	1
14	00865	GAS SPRING	2
15	002640	LEFT GLASS LOCK	1
16	00-112U-004	LEFT GLASS LOCK HOLDER	1
17	001387	WASHER 8	2
18	001388	SELF-LOCKING NUT M8	6
19	001309	PLASTIC NUT COVER OK13	6
20	002542	SCREW M10x70	2
21	41S04U01-10W003	LEFT BOTTOM HOLDER	1
22	001407	WASHER 8 LARGE	4
23	001428	RUBBER WASHER 8	4
24	001429	PLASTIC WASHER 8	4
25	001760	SCREW M8x35	4

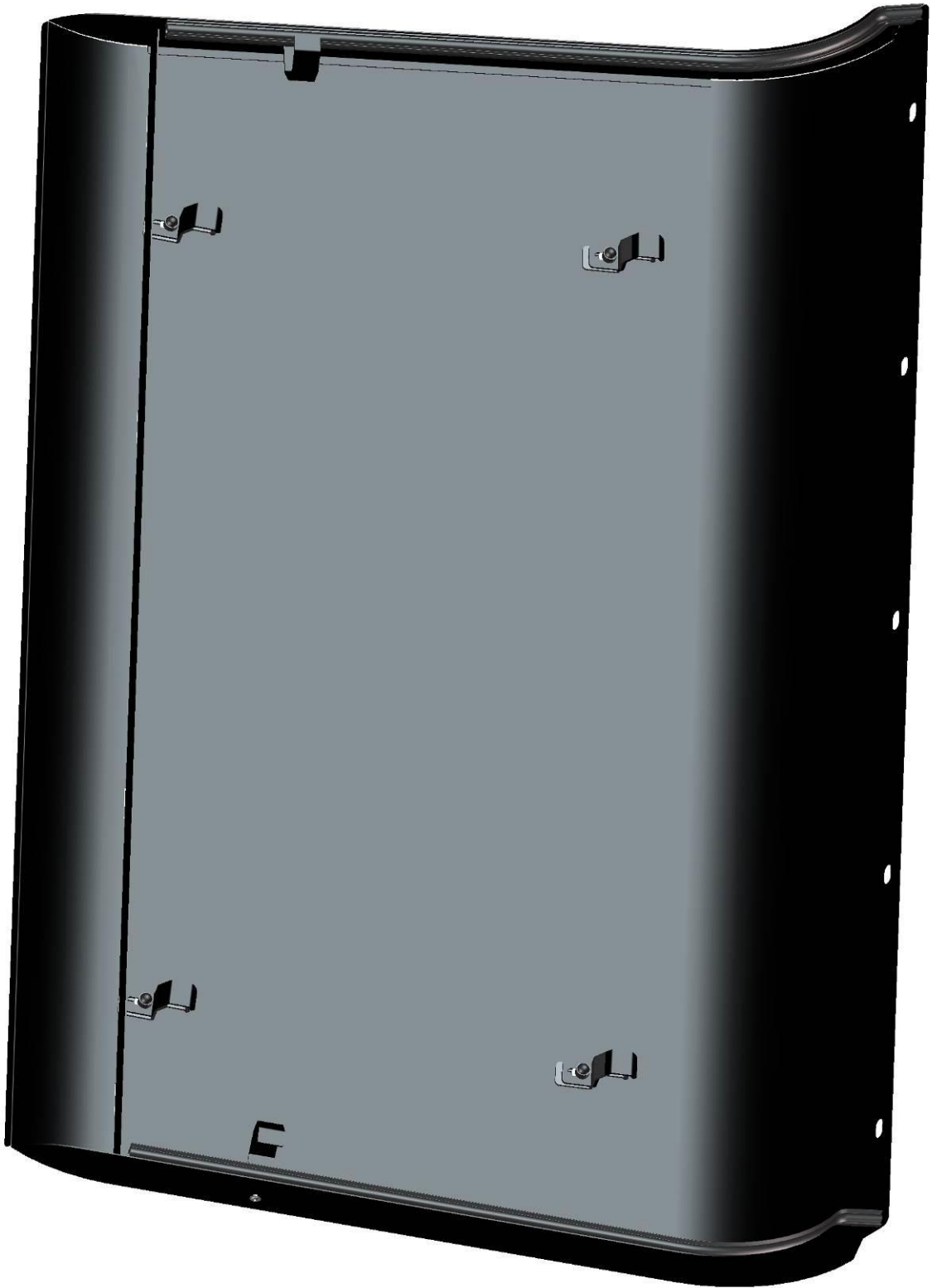
REAR PANEL

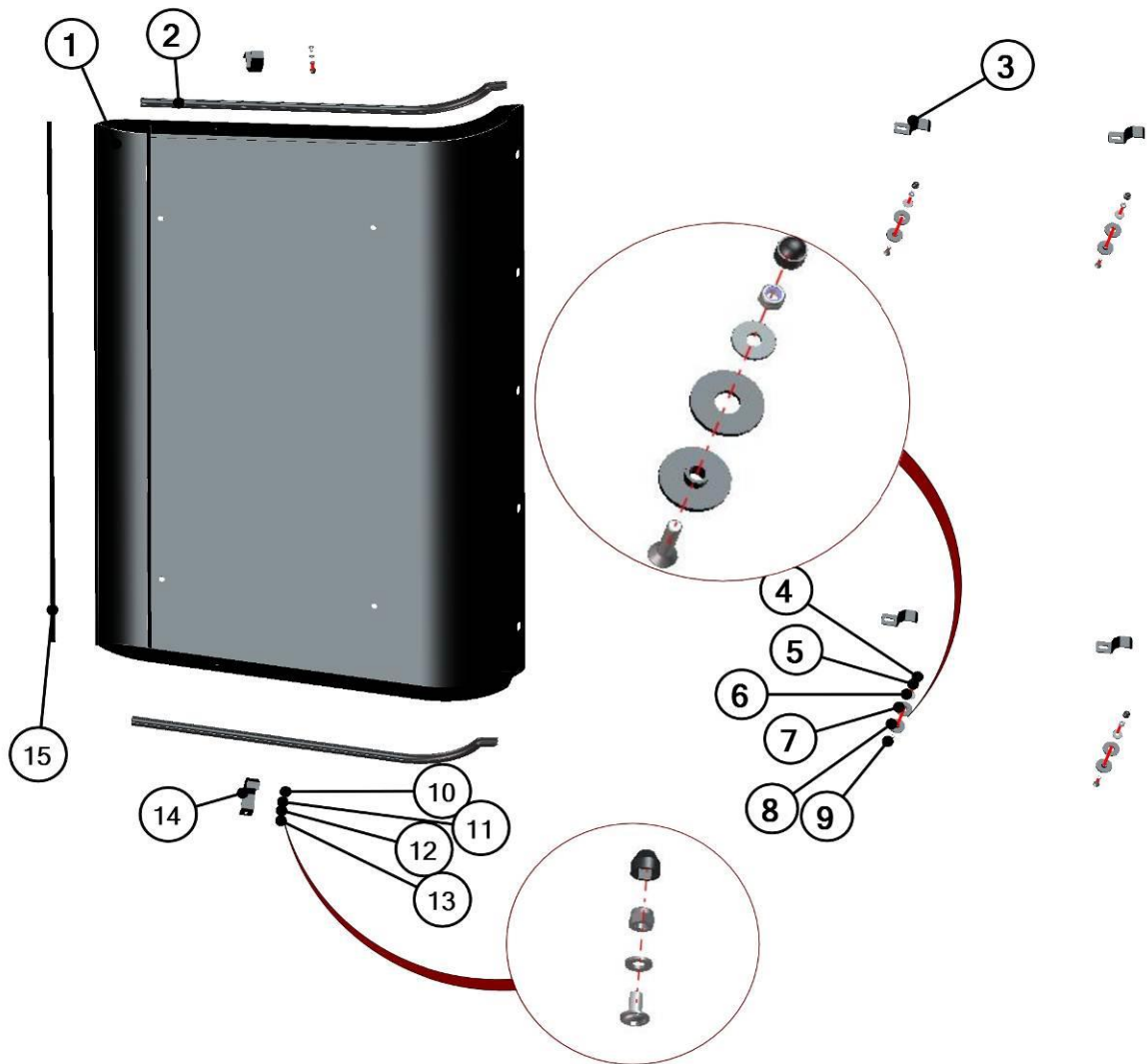




Position	Catalogue no.	Description	Qty
1	002120	SCREW M6x25	4
2	001715	PLASTIC WASHER 6	19
3	001735	RUBBER WASHER 6	19
4	001426	WASHER 6	12
5	001392	SELF-LOCKING NUT M6	19
6	001348	PLASTIC NUT COVER OK10	19
7	41S04U01-20-011	RIGHT BOTTOM HOLDER	1
8	002658^41S04U01-20M002	RUBBER PROFILE "PIRELA G STRAIGHT"	2
9	001432	SCREW M6x25	8
10	001005^41S04U01-20M002	RUBBER PROFILE "PIRELA STRAIGHT"	2
11	41S04U01-20-005	RIGHT UPPER LEDGE	1
12	001309	PLASTIC NUT COVER OK13	4
13	001388	SELF-LOCKING NUT M8	4
14	001407	WASHER 8 LARGE	4
15	41S04U01-20-026	RIGHT UPPER HOLDER	1
16	41S04U01-20W001	REAR UPPER LEDGE WELDED	1
17	41S04U01-20-013	LEFT UPPER HOLDER	1
18	41S04U01-20-002	REAR WINDOW POLY	1
19	41S04U01-20-003	LEFT UPPER LEDGE	1
20	41S04U01-20-012	LEFT BOTTOM HOLDER	1
21	41S04U01-20-008	REAR BOTTOM EPDM	1
22	001701	SCREW M6x30	7
23	001337	WASHER 6 LARGE	7
24	41S04U01-20-010	REAR BOTTOM LEDGE LONG	1
25	41S04U01-20-009	REAR BOTTOM LEDGE	2
26	003555	SCREW M8x20 DECREASED HEAD	2
27	001387	WASHER 8	2
28	41S04U01-20-019	REAR CENTRAL HOLDER	2

ROOF

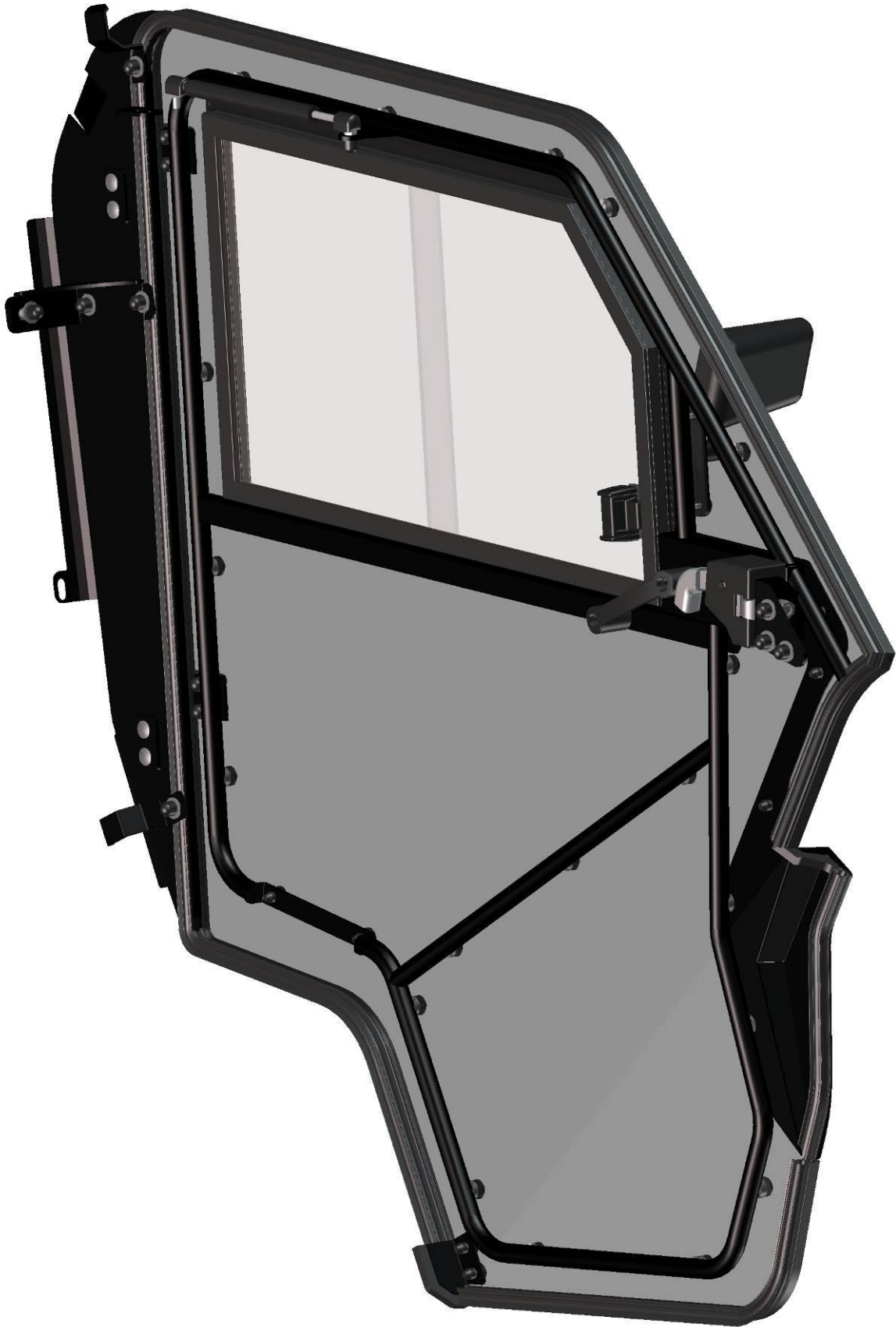


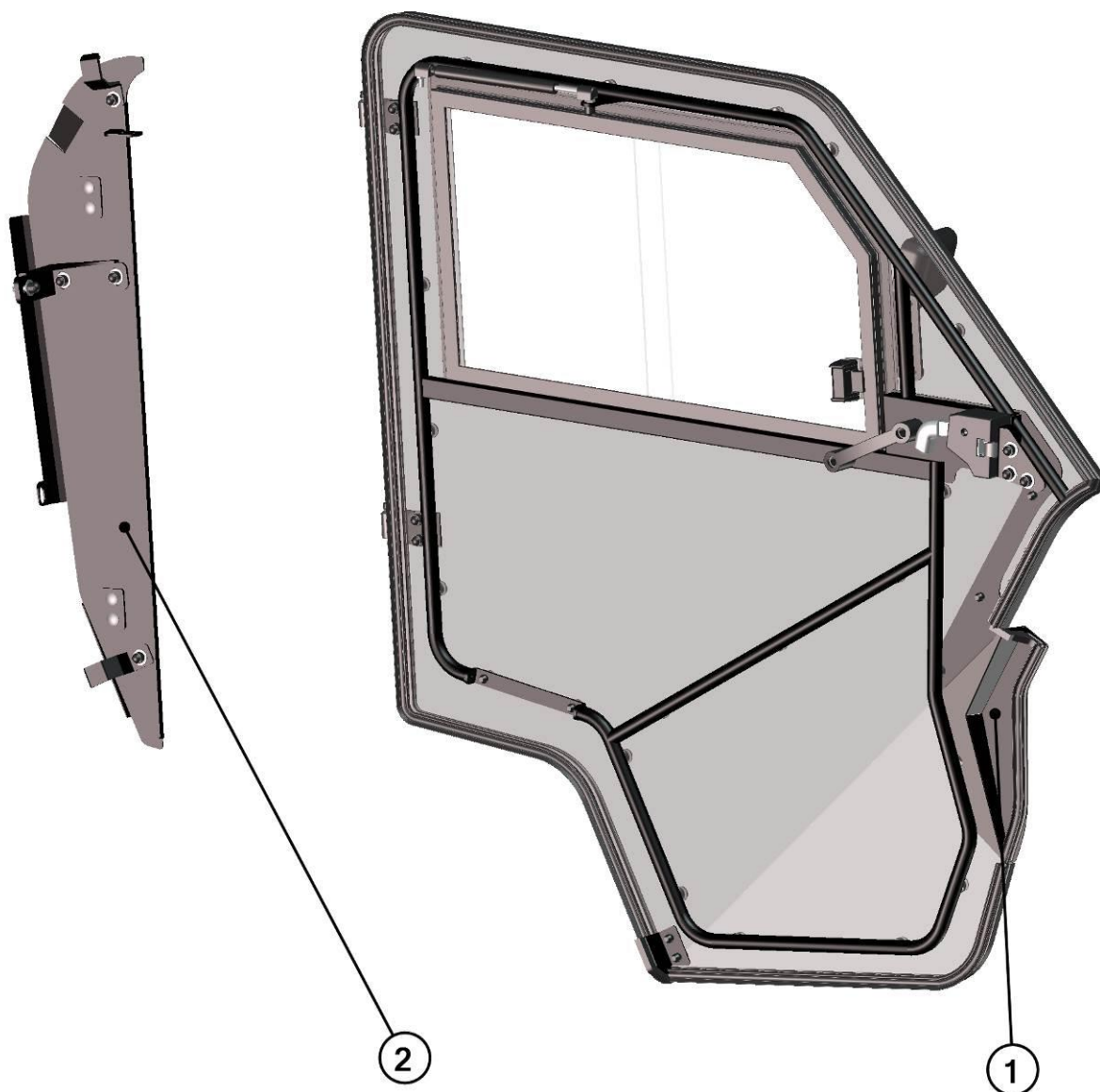


Position	Catalogue no.	Description	Qty
1	41S04U01-30W001	ROOF PANEL WELDED	1
2	001010^41S04U01S30	RUBBER PROFILE "SARAZIN"	2
3	41S04U01-30-003	ROOF HOLDER	4
4	001309	PLASTIC NUT COVER OK13	4
5	001388	SELF-LOCKING NUT M8	4
6	001407	WASHER 8 LARGE	4
7	001428	RUBBER WASHER 8	4
8	001429	PLASTIC WASHER 8	4
9	001760	SCREW M8x35	4
10	001348	PLASTIC NUT COVER OK 10	2
11	001392	SELF-LOCKING NUT M6	2
12	001426	WASHER 6	2
13	002508	SCREW M6x12	2
14	41S04U01-30-006	ROOF SIDE HOLDER	2
15	001005^41S04U01S30	RUBBER PROFILE "PIRELA STRAIGHT"	1

FOR ALL TECHNICAL QUESTIONS, PLEASE CALL
 DFK AMERICA INC.
 (630) 324-6793

LEFT DOOR + RIGHT DOOR





LEFT TABLE

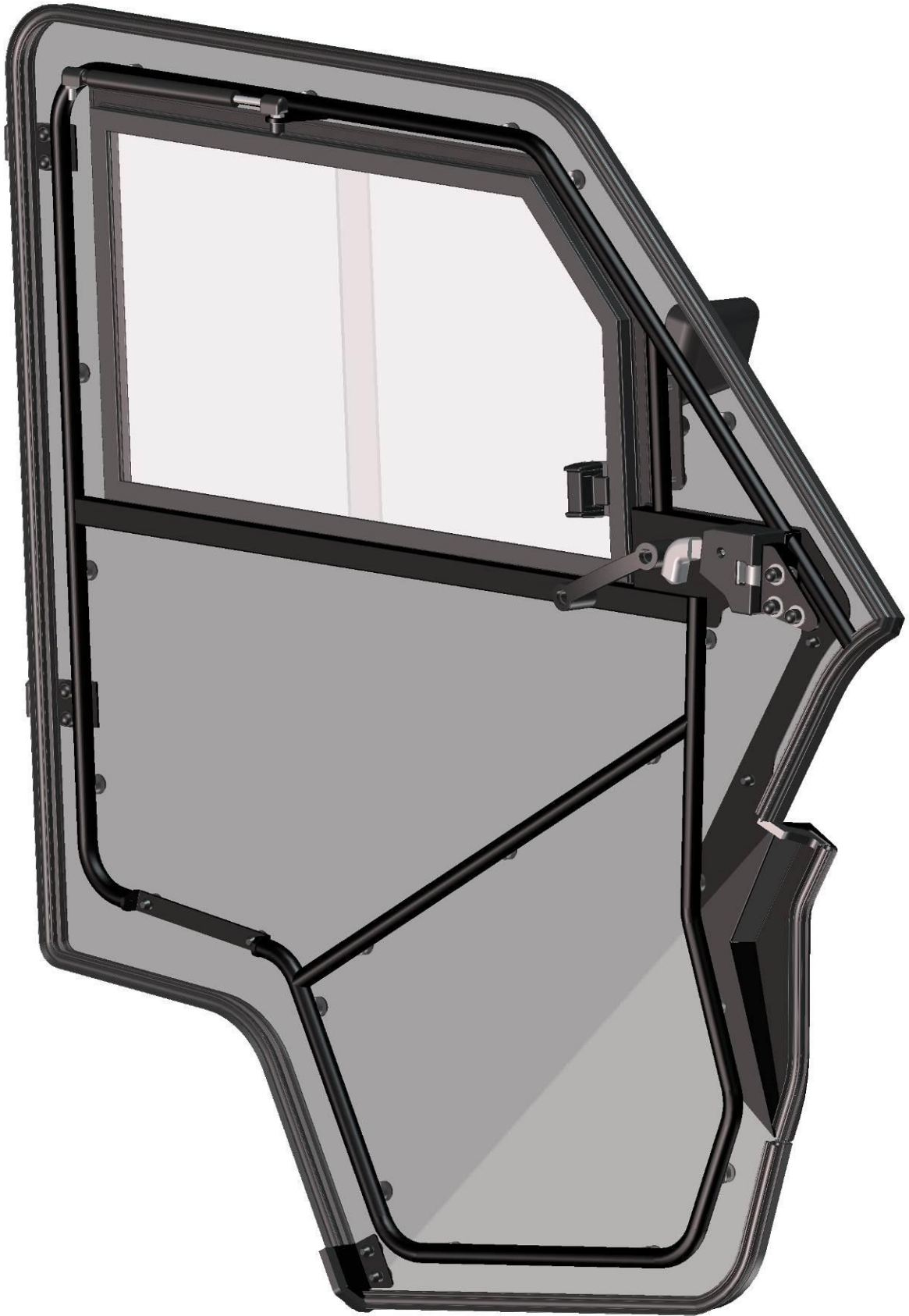
Position	Catalogue no.	Description	Qty
1	41S04U01-40M003	LEFT DOOR ASSEMBLY	1
2	41S04U01-40M002	LEFT DOOR BASE ASSEMBLY	1

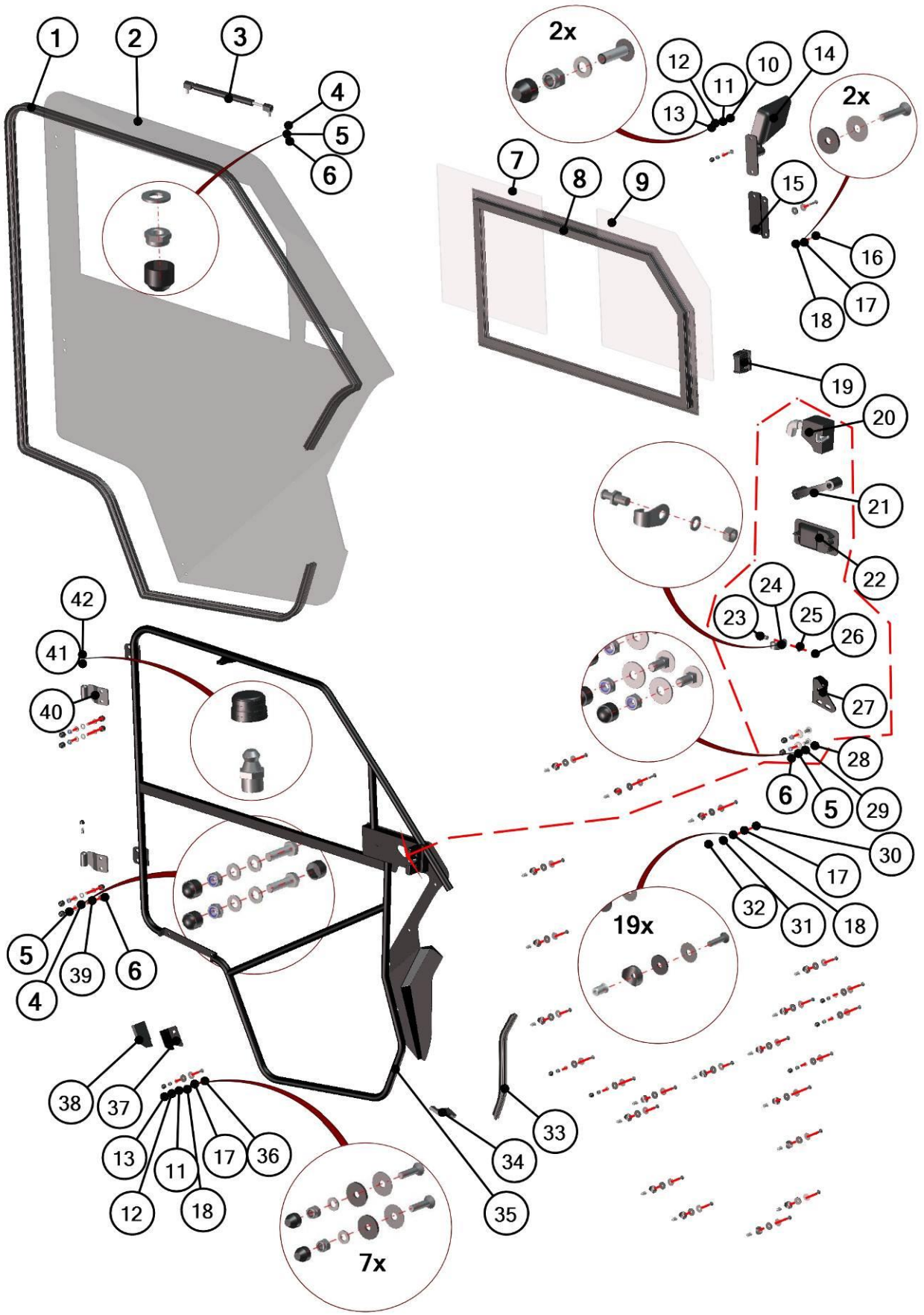
RIGHT TABLE

Position	Catalogue no.	Description	Qty
1	41S04U01-50M003	RIGHT DOOR ASSEMBLY	1
2	41S04U01-50M002	RIGHT DOOR BASE ASSEMBLY	1

FOR ALL TECHNICAL QUESTIONS, PLEASE CALL
 DFK AMERICA INC.
 (630) 324-6793

DOOR ASSEMBLY





20

FOR ALL TECHNICAL QUESTIONS, PLEASE CALL
 DFK AMERICA INC.
 (630) 324-6793

LEFT TABLE

Position	Catalogue no.	Description	Qty
1	002454^41S04U01-40M003	RUBBER PROFILE "SARAZIN SIDE"	1
2	41S04U01-40-001	DOOR PANEL POLY	1
3	000865	GAS SPRING	1
4	001387	WASHER 8	9
5	001388	SELF-LOCKING NUT M8	8
6	001309	PLASTIC NUT COVER OK13	12
7	41S04U01-40-017	DOOR GLASS SOLID	1
8	41S04U01-40-008	LEFT DOOR WINDOW FRAME	1
9	41S04U01-40-016	DOOR GLASS MOVABLE	1
10	001723	SCREW M6x20	2
11	001426	WASHER 6	9
12	001392	SELF-LOCKING NUT M6	9
13	001348	PLASTIC NUT COVER OK10	9
14	002773	LEFT MIRROR	1
15	00-109U-002	MIRROR HOLDER	1
16	001701	SCREW M6x30	2
17	001715	PLASTIC WASHER 8	28
18	001735	RUBBER WASHER 8	28
19	001700	GLASS LOCK	1
20	001743	LEFT INNER DOOR LOCK	1
21	001703	HANDLE	1
22	000841	OUTER DOOR LOCK	1
23	000854	DOOR STOP PIN	1
24	000855	DOOR STOP HOOK	1
25	000857	DOOR STOP WASHER	1
26	000856	DOOR STOP NUT	1
27	41S04U01-40-022	LEFT DOOR STOP HOLDER	1
28	002575	SCREW M8x20	3
29	001407	WASHER 8 LARGE	3
30	002120	SCREW M6x25	19
31	001736	SEAT WASHER 6	19
32	001397	RIVET NUT M6	19
33	001010^41S04U01-40M003	RUBBER PROFILE "SARAZIN"	1
34	41S04U01-40-010	FRONT BOTTOM EPDM	1
35	41S04U01-40W001	LEFT DOOR FRAME WELDED	1
36	001432	SCREW M6x25	7
37	41S04U01-40-027	LEFT REAR BOTTOM LEDGE	1
38	41S04U01-40-028	REAR BOTTOM EPDM	1
39	001411	SCREW M8x30	4
40	00-105U-W004	LEFT DOOR HINGE WELDED	2
41	001430	LUBRICATOR	2
42	001431	LUBRICATOR COVER	2

FOR ALL TECHNICAL QUESTIONS, PLEASE CALL
 DFK AMERICA INC.
 (630) 324-6793

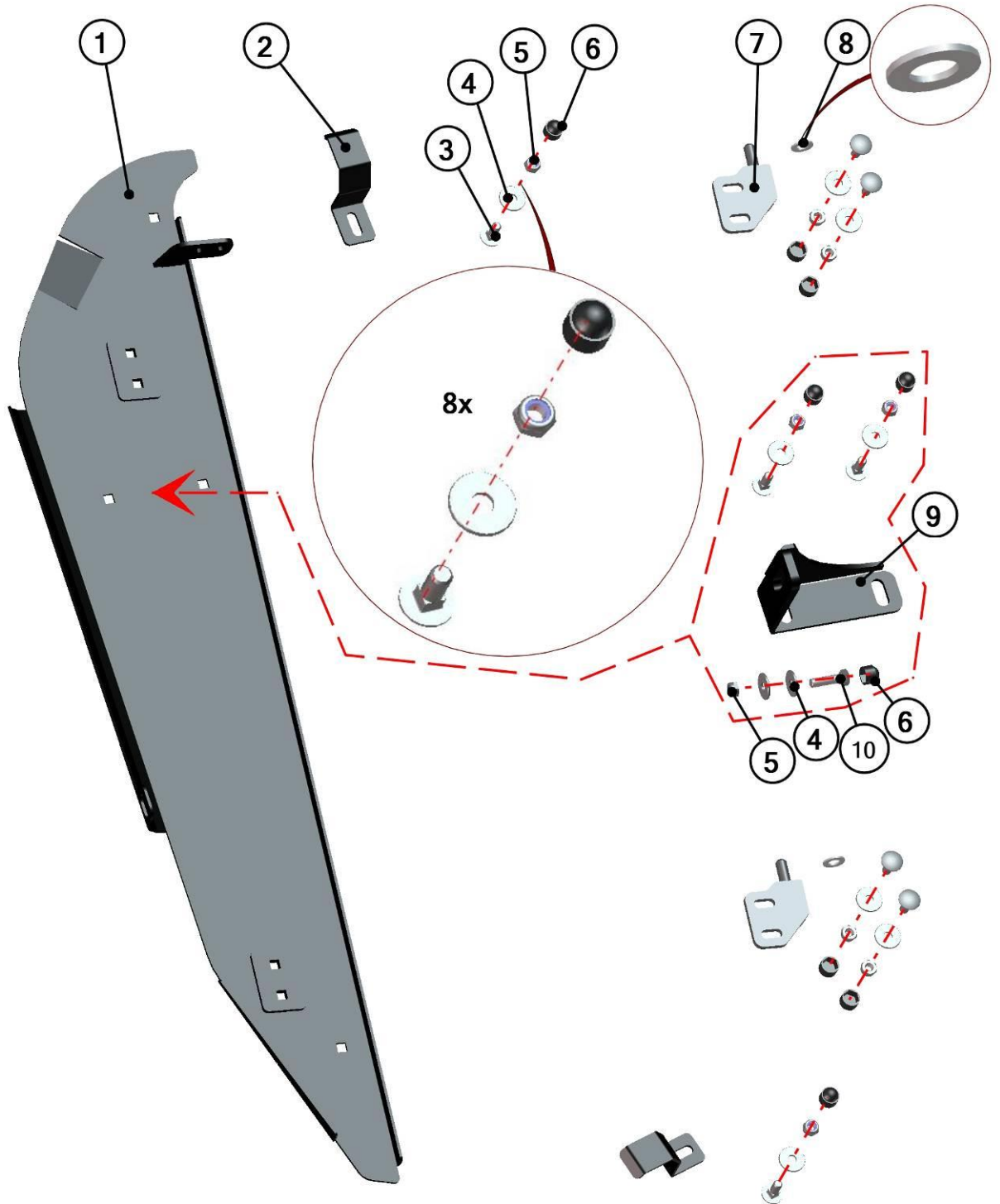
RIGHT TABLE

Position	Catalogue no.	Description	Qty
1	002454^41S04U01-40M003	RUBBER PROFILE "SARAZIN SIDE"	1
2	41S04U01-40-001	DOOR PANEL POLY	1
3	000865	GAS SPRING	1
4	001387	WASHER 8	9
5	001388	SELF-LOCKING NUT M8	8
6	001309	PLASTIC NUT COVER OK13	12
7	41S04U01-40-017	DOOR GLASS SOLID	1
8	41S04U01-50-008	RIGHT DOOR WINDOW FRAME	1
9	41S04U01-40-016	DOOR GLASS MOVABLE	1
10	001723	SCREW M6x20	2
11	001426	WASHER 6	9
12	001392	SELF-LOCKING NUT M6	9
13	001348	PLASTIC NUT COVER OK10	9
14	002774	RIGHT MIRROR	1
15	00-109U-002	MIRROR HOLDER	1
16	001701	SCREW M6x30	2
17	001715	PLASTIC WASHER 8	28
18	001735	RUBBER WASHER 8	28
19	001700	GLASS LOCK	1
20	001744	RIGHT INNER DOOR LOCK	1
21	001703	HANDLE	1
22	000841	OUTER DOOR LOCK	1
23	000854	DOOR STOP PIN	1
24	000855	DOOR STOP HOOK	1
25	000857	DOOR STOP WASHER	1
26	000856	DOOR STOP NUT	1
27	41S04U01-50-022	RIGHT DOOR STOP HOLDER	1
28	002575	SCREW M8x20	3
29	001407	WASHER 8 LARGE	3
30	002120	SCREW M6x25	19
31	001736	SEAT WASHER 6	19
32	001397	RIVET NUT M6	19
33	001010^41S04U01-40M003	RUBBER PROFILE "SARAZIN"	1
34	41S04U01-40-010	FRONT BOTTOM EPDM	1
35	41S04U01-50W001	RIGHT DOOR FRAME WELDED	1
36	001432	SCREW M6x25	7
37	41S04U01-50-027	RIGHT REAR BOTTOM LEDGE	1
38	41S04U01-40-028	REAR BOTTOM EPDM	1
39	001411	SCREW M8x30	4
40	00-105U-W003	RIGHT DOOR HINGE WELDED	2
41	001430	LUBRICATOR	2
42	001431	LUBRICATOR COVER	2

FOR ALL TECHNICAL QUESTIONS, PLEASE CALL
 DFK AMERICA INC.
 (630) 324-6793

DOOR BASE





LEFT TABLE

Position	Catalogue no.	Description	Qty
1	41S04U01-40W003	LEFT DOOR BASE WELDED	1
2	41S04U01-10-004	HOLDER	2
3	002575	SCREW M8x25	8
4	001407	WASHER 8 LARGE	10
5	001388	SELF-LOCKING NUT M8	9
6	001309	PLASTIC NUT COVER OK13	9
7	00-105U-W002	LEFT BASE HINGE	2
8	001485	WASHER 10	2
9	41S04U01-40W004	LEFT BASE HOLDER WELDED	1
10	001411	SCREW M8x30	1

RIGHT TABLE

Position	Catalogue no.	Description	Qty
1	41S04U01-50W003	RIGHT DOOR BASE WELDED	1
2	41S04U01-10-004	HOLDER	2
3	002575	SCREW M8x25	8
4	001407	WASHER 8 LARGE	10
5	001388	SELF-LOCKING NUT M8	9
6	001309	PLASTIC NUT COVER OK13	9
7	00-105U-W001	RIGHT BASE HINGE	2
8	001485	WASHER 10	2
9	41S04U01-50W004	RIGHT BASE HOLDER WELDED	1
10	001411	SCREW M8x30	1

ELECTROINSTALLATION

Position	Catalogue no.	Description	Qti
1	002346	HEATER 12V	1
2	000968	SWITCH – WIPER/ WASHER/OFF	1
3	001576	WASHER MOTOR	1
4	001652	FUSE BOX 2x1	1
5	000885	WASHER COMPLETE	1
6	002764	WIPERMOTOR 12V	1
7	41S04U01-01M001	CABLE HARNESS - WIPER	1
8	41S04U01-02M001	CABLE HARNESS - HEATING	1
9	00-01-001	WASHER COMPLET HOLDER	1
10	41S04U01-02-001	HEATER HOLDER	1
11	002642	TIGHTENING STRAP Ø14-27	8
12	002386	ELECTRIC VALVE	1
13	002348	SCREW RIVETS	5
14	002491	AIR VENT VALVE	1
15	002521	TUBE Ø18MM	1
16	41S04U01-03M001	CABLE HARNESS - WASHER	1
17	002503	“Y” COUPLING	2
18	002643	TIGHTENING STRAP Ø21-38	4
19	002741	WATER PUMP 12V	1
20	41S04U01-02PKM002	RUMP HARNESS	1

SEE NEXT PAGES

FOR ALL TECHNICAL QUESTIONS, PLEASE CALL
 DFK AMERICA INC.
 (630) 324-6793



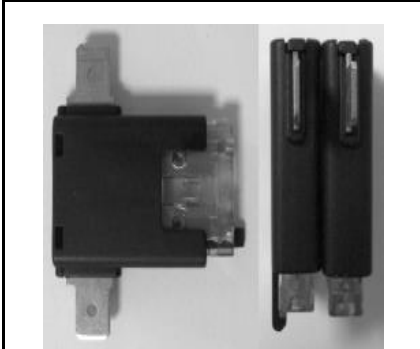
Position : 1
Catalogue no.: 002346



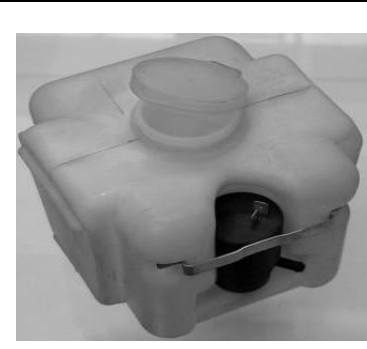
Position : 2
Catalogue no.: 000968



Position : 3
Catalogue no.: 001576



Position : 4
Catalogue no.: 001652



Position : 5
Catalogue no.: 000885



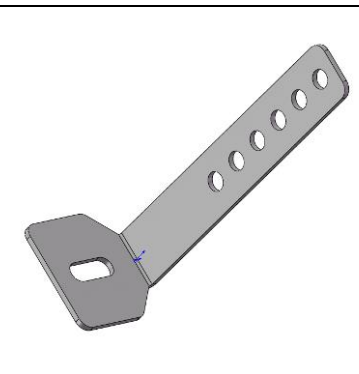
Position : 6
Catalogue no.: 002764



Position : 7
Catalogue no.: 41S04U01-01M001



Position : 8
Catalogue no.: 41S04U01-02M001



Position : 9
Catalogue no.:00-01-001



Position : 10
Catalogue no.: 41S04U01-02-001



Position : 11
Catalogue no.: 002642



Position : 12
Catalogue no.: 002386



Position : 13
Catalogue no.: 002348



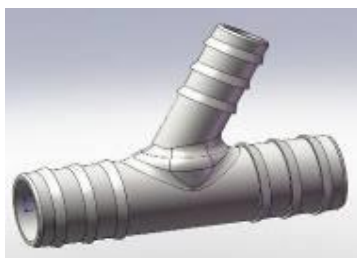
Position : 14
Catalogue no.: 002491



Position : 15
Catalogue no.: 002521



Position : 16
Catalogue no.: 41S04U01-03M001



Position : 17
Catalogue no.: 002503

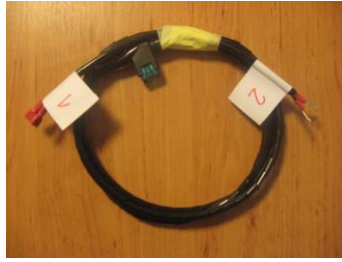


Position : 18
Catalogue no.: 002643



Position : 19

Catalogue no.: 002471



Position : 20

Catalogue no.: 41S04U01-02PKM002