



SPARE - PARTS CATALOGUE

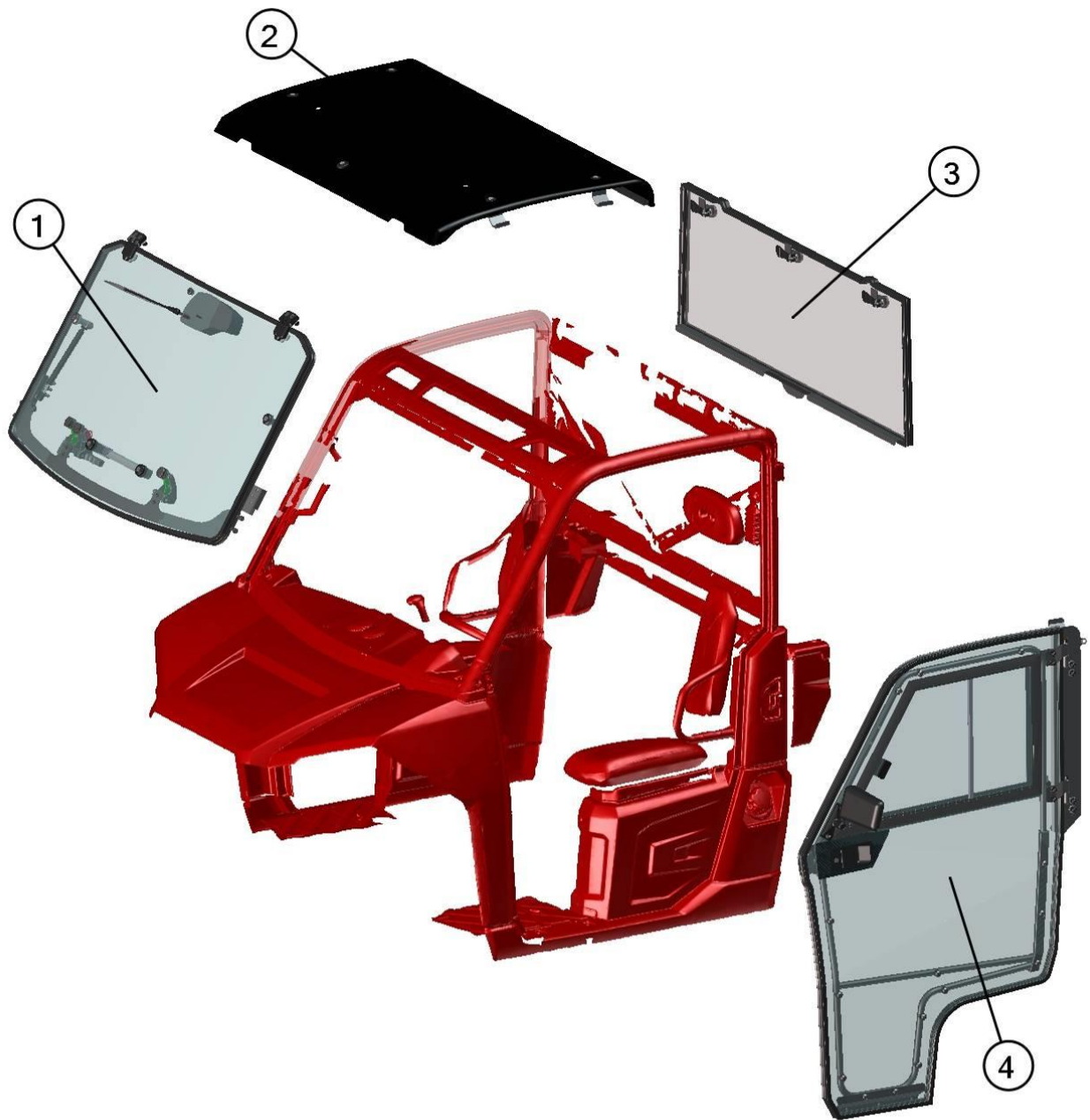
POLARIS
RANGER 900 XP



CAB PREVIEW



FOR ALL TECHNICAL QUESTIONS, PLEASE CALL
DFK AMERICA INC.
(630) 324-6793



3

Position	Catalogue no.	Description	Qty
1	32S05U01S10	FRONT PANEL MOVABLE	1
2	32S05U01S30	ROOF	1
3	32S05U01S20	REAR PANEL	1
4	32S05U01S40	LEFT DOOR	1
5	32S05U01S50	RIGHT DOOR	1

FOR ALL TECHNICAL QUESTIONS, PLEASE CALL
 DFK AMERICA INC.
 (630) 324-6793

FRONT PANEL





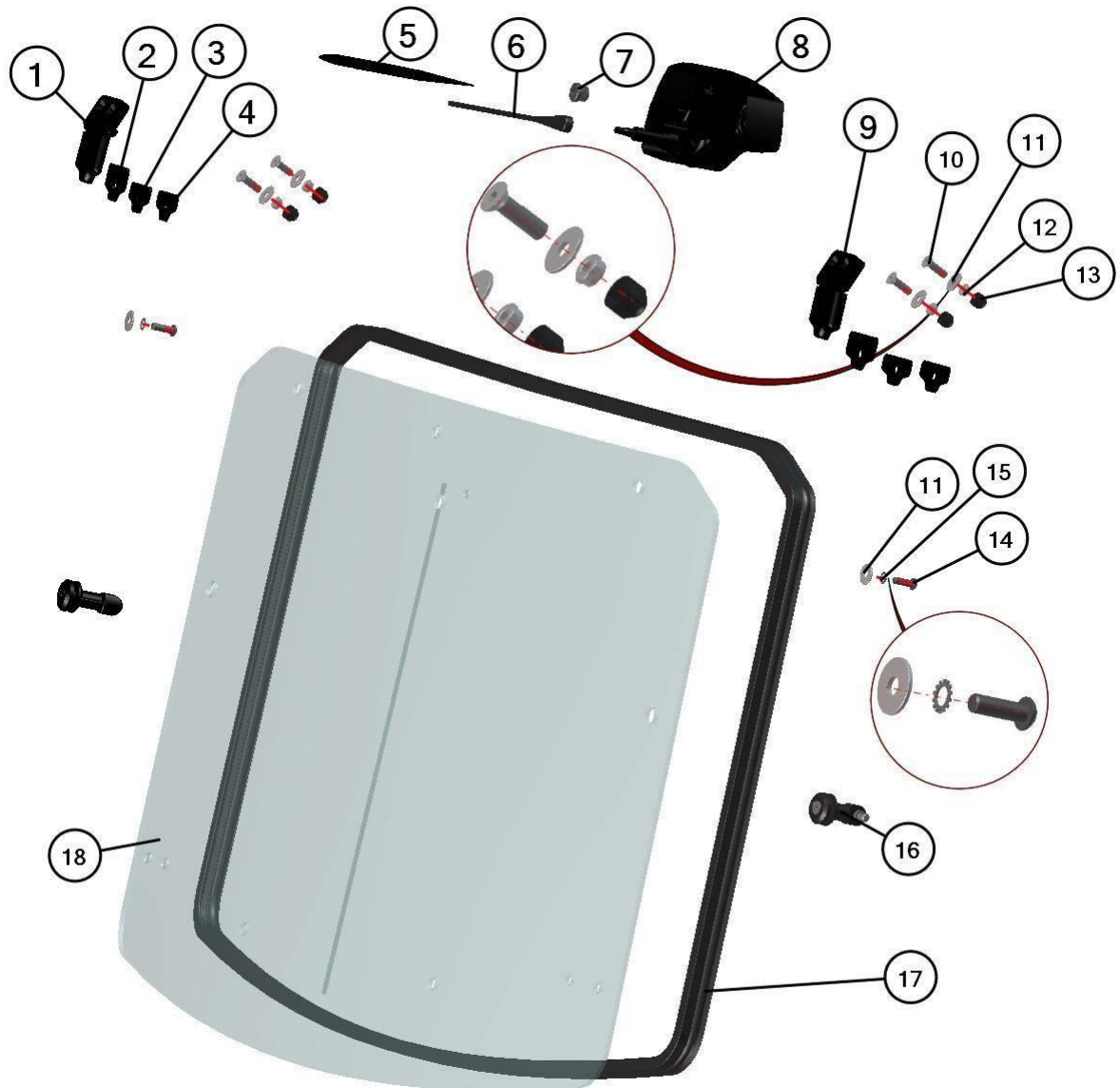
5

Position	Catalogue no.	Description	Qty
1	*****	FRONT UPPER ASSEMBLY	1
2	*****	FRONT BOTTOM ASSEMBLY	1

FOR ALL TECHNICAL QUESTIONS, PLEASE CALL
 DFK AMERICA INC.
 (630) 324-6793

FRONT UPPER ASSEMBLY





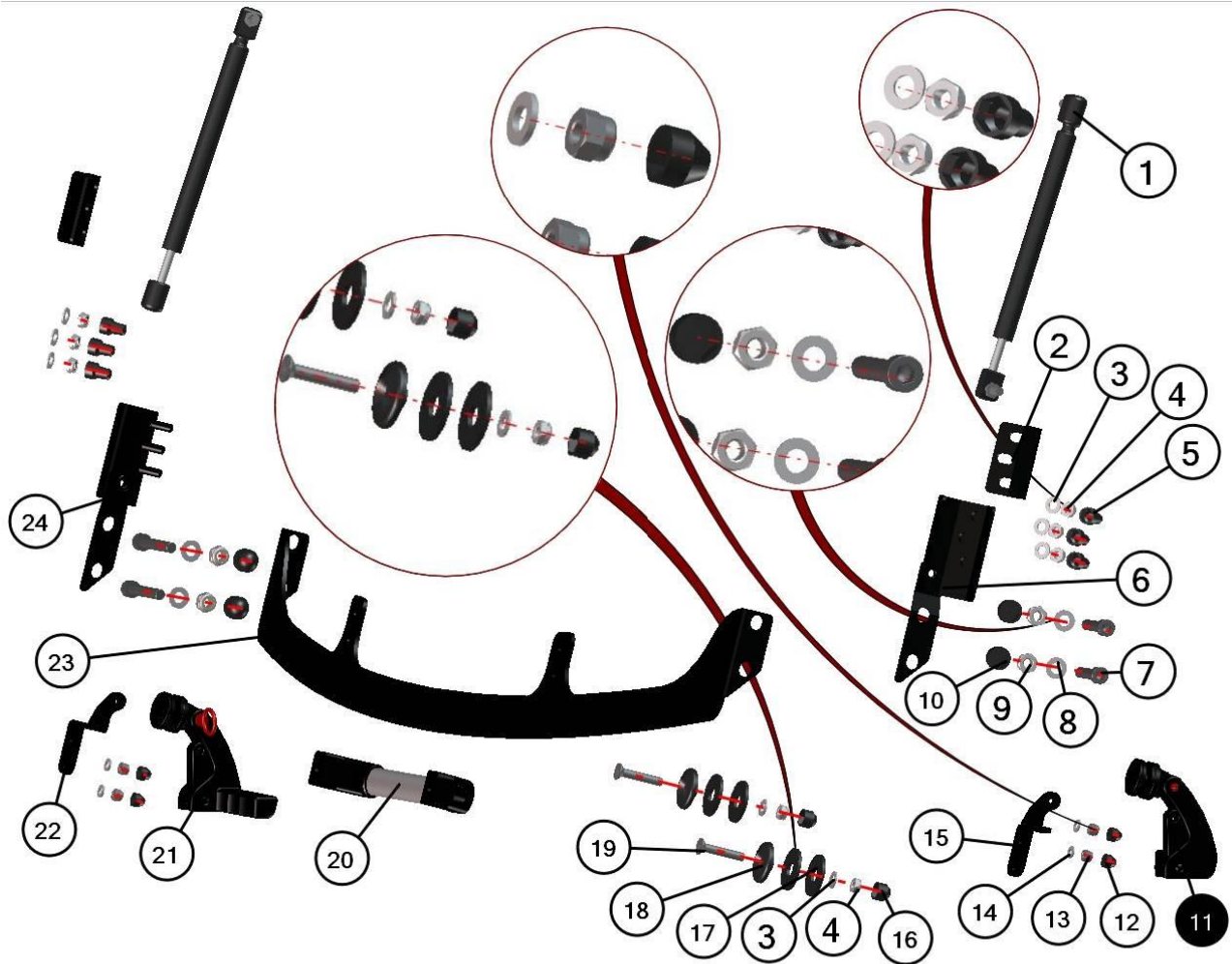
Position	Catalogue no.	Description	Qty
1	002719	FRONT HINGE RIGHT	1
2	32S05U01-10-017	FRONT HINGE SEAL OUTER	2
3	32S05U01-10-018	FRONT HINGE SEAL INNER	2
4	32S05U01-10-019	FRONT HINGE LEDGE	2
5	002554	WIPER LATCH	1
6	002535	WIPER ARM	1
7	00-01-005	BUSHING	1
8	002764	WIPER MOTOR 12V	1
9	002717	FRONT HINGE LEFT	1
10	002121	SCREW M8x30	4
11	001407	WASHER 8 LARGE	6
12	001388	SELF-LOCKING NUT M8	4
13	001309	PLASTIC NUT COVER OK 13	4
14	002746	SCREW M8x25	2
15	001489	SERRATED-LOCK WASHER 8	2
16	001693	GAS SPRING HOLDER	2
17	001012*32S05U01-10M001	RUBBER PROFILE "PIRELA GLASS"	1
18	32S05U01-10-001	FRONT GLASS	1

FOR ALL TECHNICAL QUESTIONS, PLEASE CALL
 DFK AMERICA INC.
 (630) 324-6793

FRONT BOTTOM ASSEMBLY



FOR ALL TECHNICAL QUESTIONS, PLEASE CALL
DFK AMERICA INC.
(630) 324-6793



Position	Catalogue no.	Description	Qty
1	000868	GAS SPRING	2
2	32S05U01-10-003	FRONT OUTER HOLDER	2
3	001387	WASHER 8	8
4	001388	SELF-LOCKING NUT M8	8
5	001308	PLASTIC NUT COVER OK 13 LONG	6
6	32S05U01-10W003	LEFT FRONT HOLDER	1
7	002741	SCREW M10x60	4
8	001485	WASHER 10	4
9	002533	SELF-LOCKING NUT M8	4
10	002363	PLASTIC NUT COVER OK 17	4
11	002640	LEFT GLASS HANDLE MOVABLE	1
12	001348	PLASTIC NUT COVER OK 10	4
13	001392	SELF-LOCKING NUT M6	4
14	001426	WASHER 6	4
15	32S05U01-10-014	LEFT HANDLE HOLDER	1
16	001309	PLASTIC NUT COVER OK 13	2
17	001428	RUBBER WASHER 8	4
18	001429	PLASTIC WASHER 8	2
19	001694	SCREW M8x45	2
20	002709	FRONT HANDLE	1
21	002641	RIGHT GLASS HANDLE MOVABLE	1
22	32S05U01-10-022	RIGHT HANDLE HOLDER	1
23	32S05U01-10-013	FRONT BOTTOM LEDGE	1
24	32S05U01-10W007	RIGHT FRONT HOLDER	1

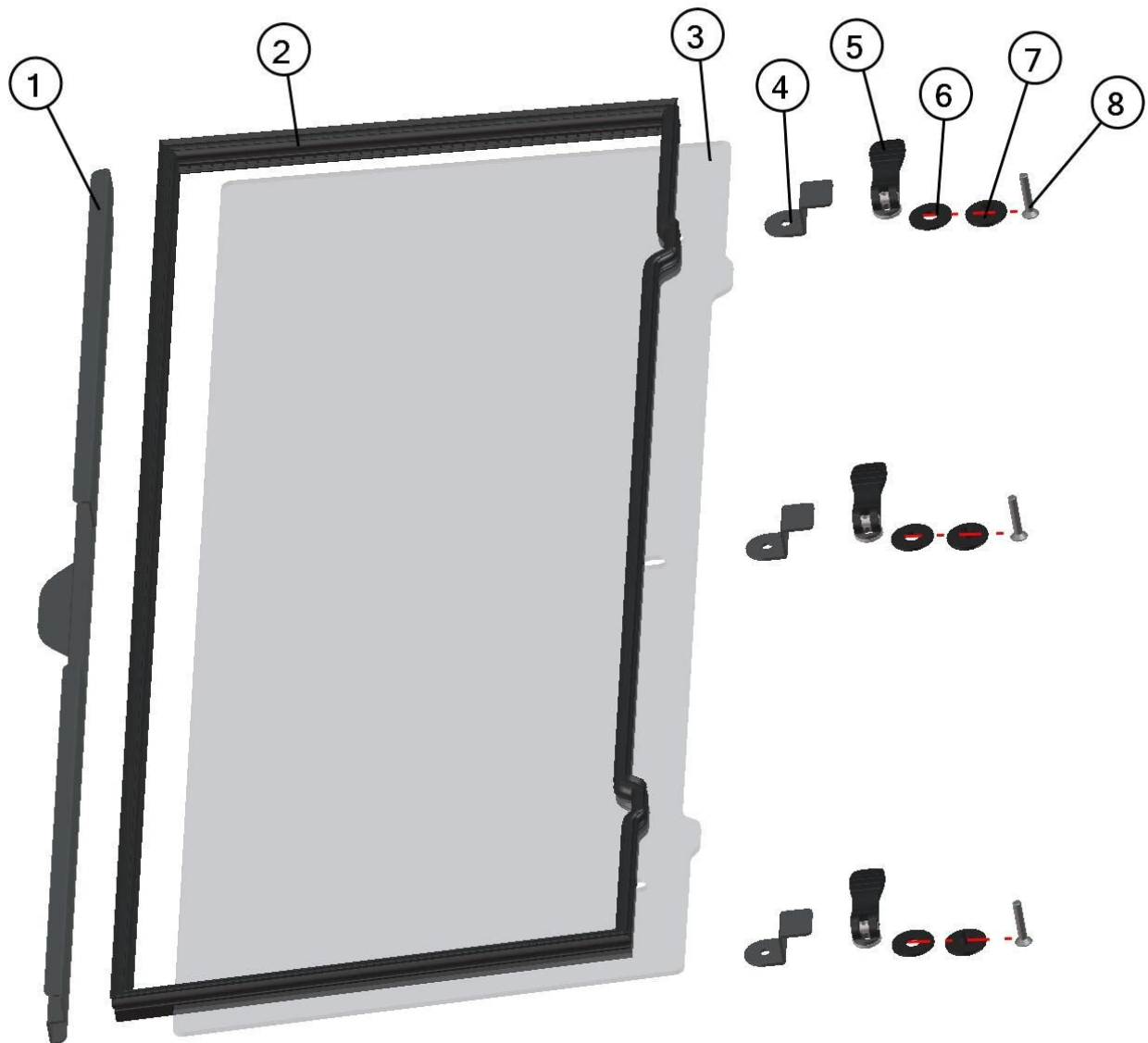
FOR ALL TECHNICAL QUESTIONS, PLEASE CALL
 DFK AMERICA INC.
 (630) 324-6793

REAR PANEL



10

FOR ALL TECHNICAL QUESTIONS, PLEASE CALL
DFK AMERICA INC.
(630) 324-6793

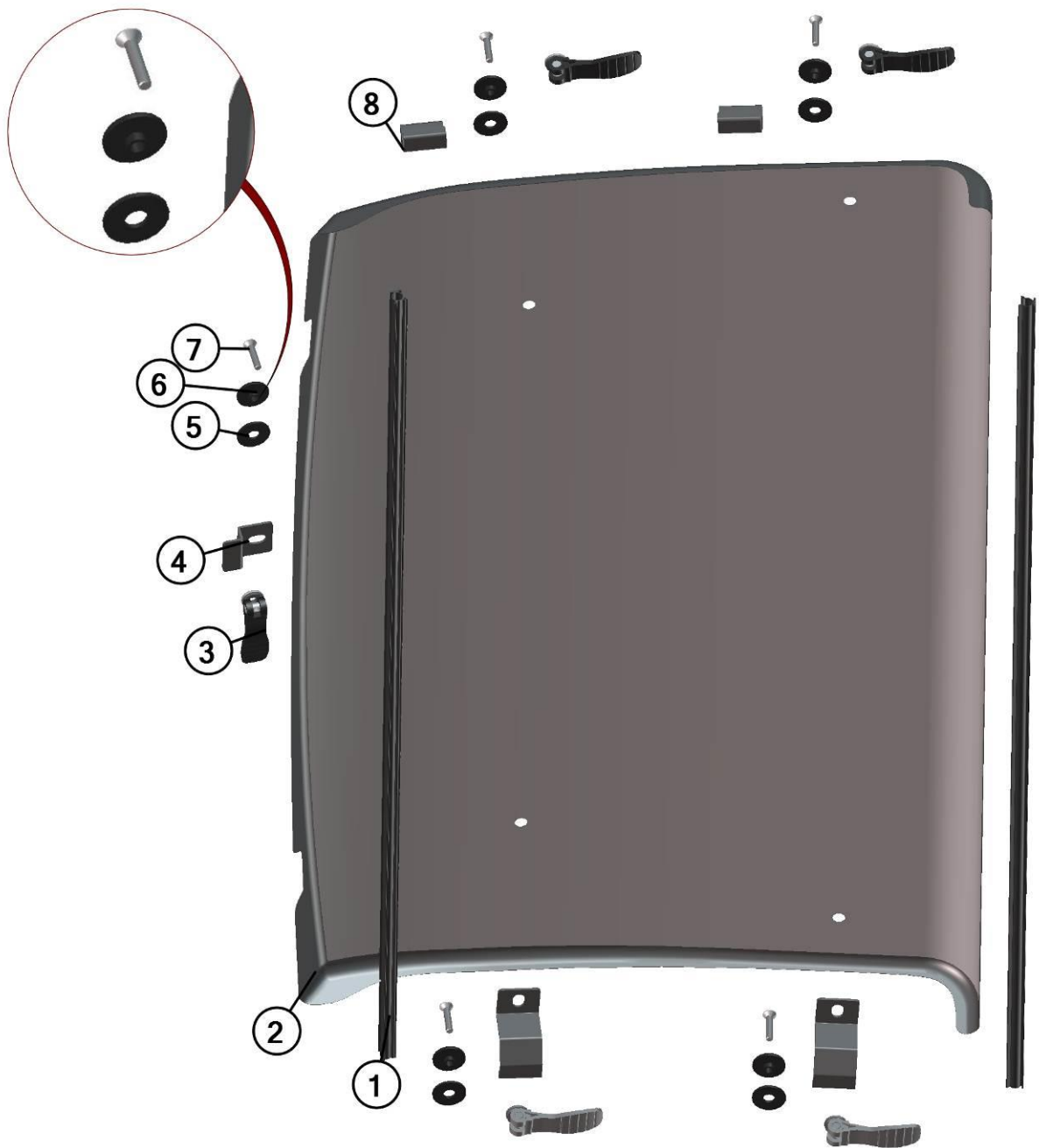


Position	Catalogue no.	Description	Qty
1	32S05U01-20W001	REAR BOTTOM LEDGE	1
2	001012^32S05U01-20M001	RUBBER PROFILE "PIRELA GLASS"	1
3	32S05U01-20-009	REAR GLASS	1
4	32S05U01-20-008	REAR HOLDER	3
5	002740	FAST LOCK HANDLE	3
6	001428	RUBBER WASHER 8	3
7	001429	PLASTIC WASHER 8	3
8	001694	SCREW M8x45	3

FOR ALL TECHNICAL QUESTIONS, PLEASE CALL
 DFK AMERICA INC.
 (630) 324-6793

ROOF

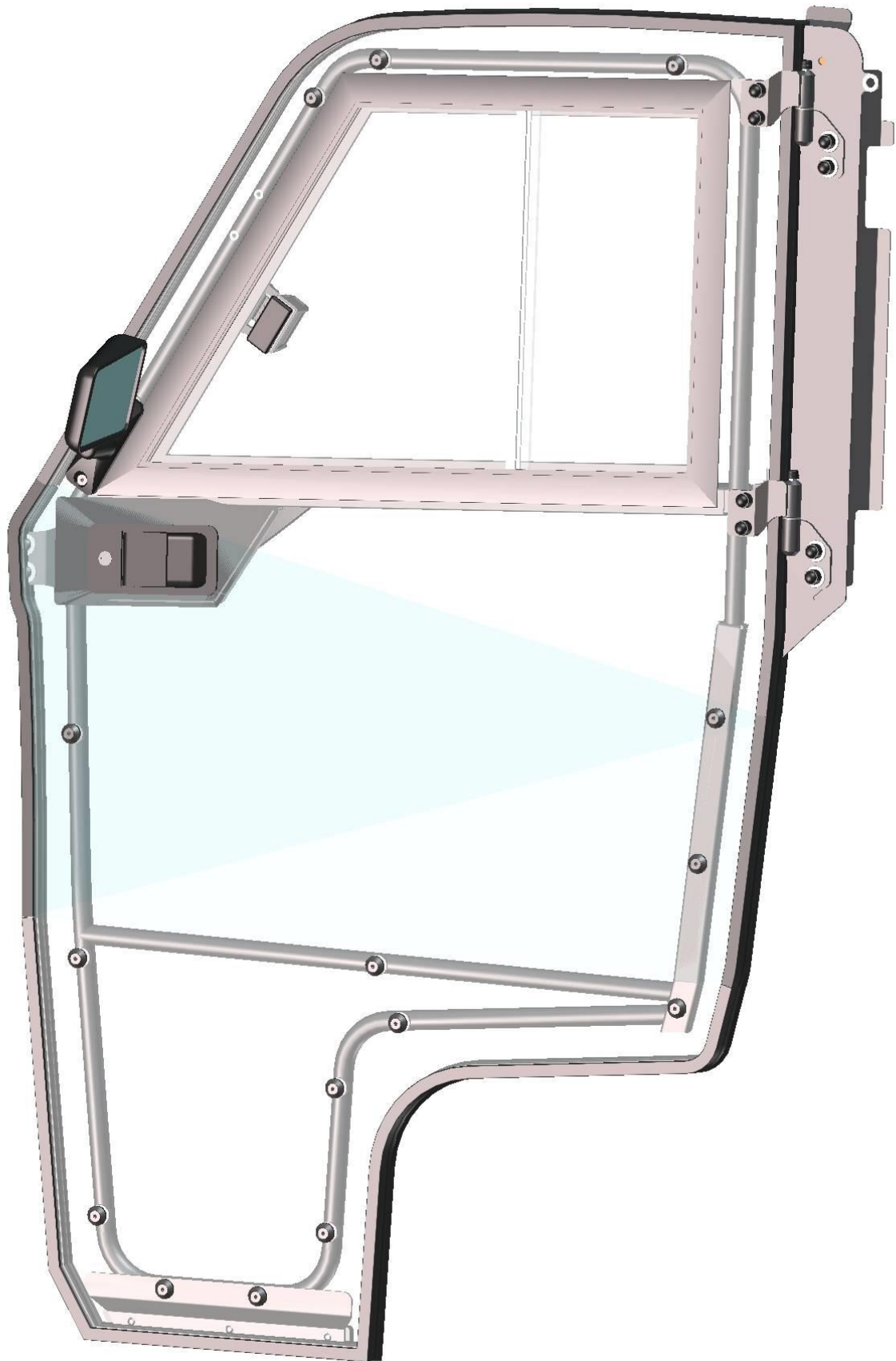


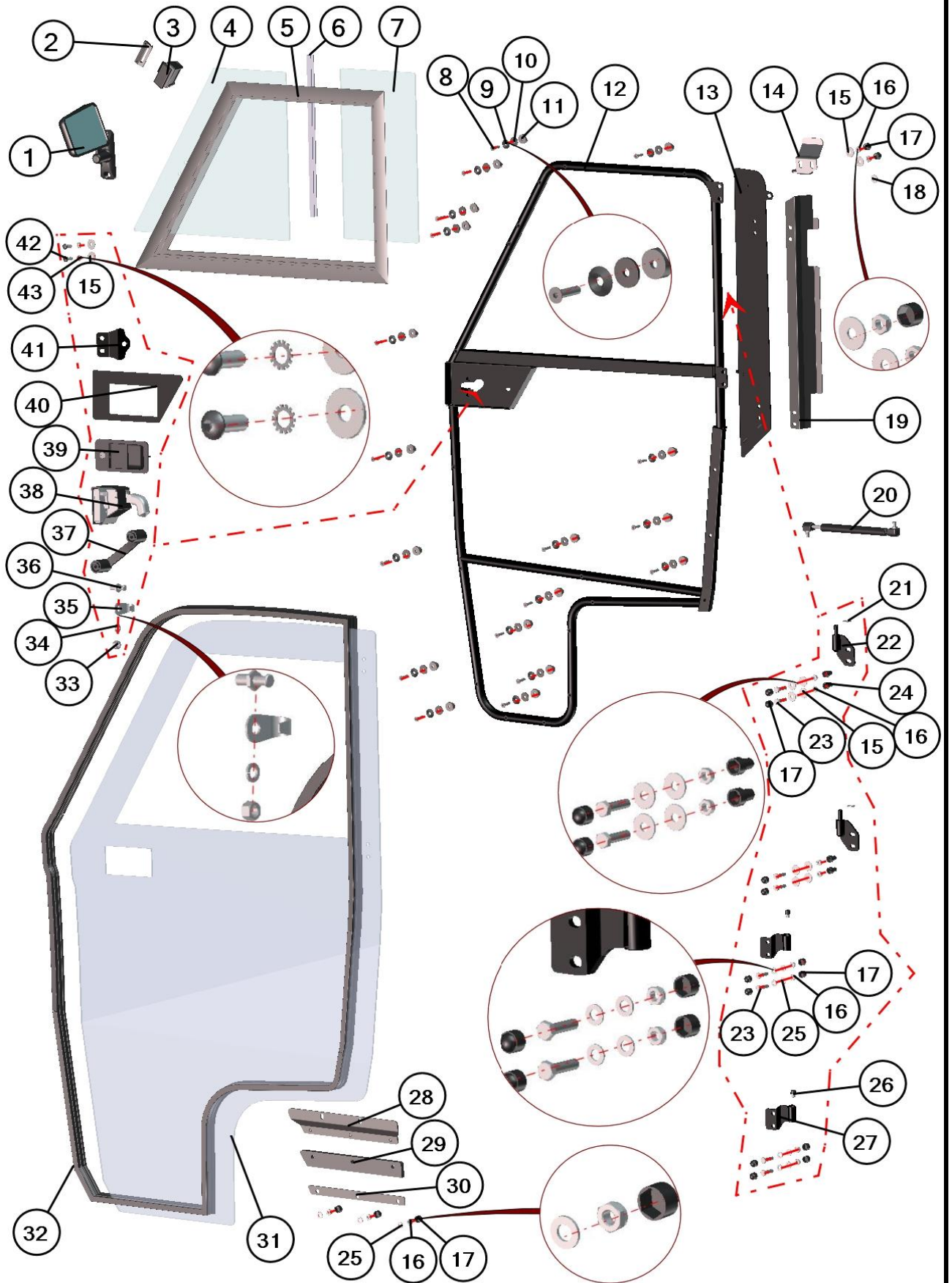


Position	Catalogue no.	Description	Qty
1	001010^32S05U01S30	RUBBER PROFILE "SARAZIN"	1
2	32S05U01-30-001	ROOF PANEL	1
3	002740	FAST LOCK HANDLE	5
4	32S05U01-30-005	FRONT ROOF HOLDER	1
5	001428	RUBBER WASHER 8	5
6	001429	PLASTIC WASHER 8	5
7	002607	SCREW M8x40	5
8	32S05U01-30-003	ROOF HOLDER	4

FOR ALL TECHNICAL QUESTIONS, PLEASE CALL
 DFK AMERICA INC.
 (630) 324-6793

LEFT DOOR+RIGHT DOOR





LEFT DOOR TABLE

Position	Catalogue no.	Description	Qty
1	002773	LEFT REAR MIRROR	1
2	001762	GLASS STOP	1
3	001700	GLASS LOCK	1
4	32S05U01-40-009	DOOR WINDOW MOVABLE GLASS	1
5	32S05U01-40-006	LEFT WINDOW FRAME PVC	1
6	32S05U01-40-010	WINDOW AL PROFILE "U"	1
7	32S05U01-40-008	DOOR WINDOW SOLID POLYCARBONATE	1
8	002120	SCREW M6x25	18
9	001715	PLASTIC WASHER 6	18
10	001735	RUBBER WASHER 6	18
11	001736	SEAT WASHER 6	18
12	32S05U01-40W002	LEFT DOOR FRAME WELDED	1
13	32S05U01-40W001	LEFT DOOR BASE WELDED	1
14	32S05U01-40PK001	LEFT DOOR BASE HOLDER	1
15	001407	WASHER 8 LARGE	12
16	001388	SELF-LOCKING NUT M8	13
17	001309	PLASTIC NUT COVER OK 13	17
18	001485	WASHER 8	1
19	32S05U01-40-003	LEFT DOOR BASE LEDGE	1
20	000865	GAS SPRING	1
21	001485	WASHER 10	2
22	32S05U01-40W005	LEFT DOOR HINGE BASE	2
23	001411	SCREW M8x30	8
24	001308	PLASTIC NUT COVER OK 13 LONG	4
25	001387	WASHER 8	11
26	001430	HINGE LUBRICATOR	2
27	32S05U01-40W003	LEFT DOOR HINGE	2
28	32S05U01-40W004	LEFT BOTTOM LEDGE WELDED	1
29	32S05U01-40-023	BOTTOM LEDGE EPDM	1
30	32S05U01-40-024	BOTTOM LEDGE METAL	1
31	32S05U01-40-005	LEFT DOOR PANEL POLYCARBONATE	1
32	002454^32S05U01S40	RUBBER PROFILE "SARAZIN SIDE"	1
33	000856	DOOR STOP NUT	1
34	000857	DOOR STOP WASHER	1
35	000855	DOOR STOP HOOK	1
36	000854	DOOR STOP PIN	1
37	001703	HANDLE	1
38	001743	LEFT INNER DOOR LOCK	1
39	000841	OUTER DOOR LOCK	1
40	32S05U01-40-016	DOOR LOCK LEDGE	1
41	32S05U01-40-019	LEFT DOOR STOP HOLDER	1
42	002745	SCREW M8x20	2
43	001489	SERRATED-LOCK WASHER 8	2

RIGHT DOOR TABLE

Position	Catalogue no.	Description	Qty
1	002774	RIGHT REAR MIRROR	1
2	001762	GLASS STOP	1
3	001700	GLASS LOCK	1
4	32S05U01-40-009	DOOR WINDOW MOVABLE GLASS	1
5	32S05U01-50-006	RIGHT WINDOW FRAME PVC	1
6	32S05U01-40-010	WINDOW AL PROFILE "U"	1
7	32S05U01-40-008	DOOR WINDOW SOLID POLYCARBONATE	1
8	002120	SCREW M6x25	18
9	001715	PLASTIC WASHER 6	18
10	001735	RUBBER WASHER 6	18
11	001736	SEAT WASHER 6	18
12	32S05U01-50W002	RIGHT DOOR FRAME WELDED	1
13	32S05U01-50W001	RIGHT DOOR BASE WELDED	1
14	32S05U01-50PK001	RIGHT DOOR BASE HOLDER	1
15	001407	WASHER 8 LARGE	12
16	001388	SELF-LOCKING NUT M8	13
17	001309	PLASTIC NUT COVER OK 13	17
18	001485	WASHER 8	1
19	32S05U01-50-003	RIGHT DOOR BASE LEDGE	1
20	000865	GAS SPRING	1
21	001485	WASHER 10	2
22	32S05U01-50W005	RIGHT DOOR HINGE BASE	2
23	001411	SCREW M8x30	8
24	001308	PLASTIC NUT COVER OK 13 LONG	4
25	001387	WASHER 8	11
26	001430	HINGE LUBRICATOR	2
27	32S05U01-50W003	RIGHT DOOR HINGE	2
28	32S05U01-50W004	RIGHT BOTTOM LEDGE WELDED	1
29	32S05U01-40-023	BOTTOM LEDGE EPDM	1
30	32S05U01-40-024	BOTTOM LEDGE METAL	1
31	32S05U01-50-005	RIGHT DOOR PANEL POLYCARBONATE	1
32	002454^32S05U01S40	RUBBER PROFILE "SARAZIN SIDE"	1
33	000856	DOOR STOP NUT	1
34	000857	DOOR STOP WASHER	1
35	000855	DOOR STOP HOOK	1
36	000854	DOOR STOP PIN	1
37	001703	HANDLE	1
38	001744	RIGHT INNER DOOR LOCK	1
39	000841	OUTER DOOR LOCK	1
40	32S05U01-40-016	DOOR LOCK LEDGE	1
41	32S05U01-50-019	RIGHT DOOR STOP HOLDER	1
42	002745	SCREW M8x20	2
43	001489	SERRATED-LOCK WASHER 8	2










ELECTROINSTALLATION

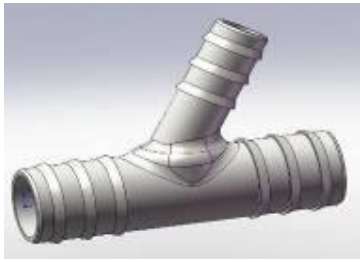
Position	Catalogue no.	Description	Qty
1	000968	SWITCH WIPER /WASHER /OFF	1
2	000885	WASHER TANK	1
3	001576	WASHER MOTOR	1
4	001652	FUSE BOX 2x1	1
5	002764	WIPER MOTOR 12V	1
6	32S05U01-01M001	WIPER HARNESS	1
7	32S05U01-02-001	HEATER HOLDER	1
8	002491	AIR VENT VALVE	1
9	002386	ELECTROMAGNETIC VALVE	1
10	001367	TIGHTENING STRAP 12-22MM	2
11	002642	TIGHTENING STRAP 14-27MM	10
12	002643	TIGHTENING STRAP 21-38MM	2
13	001368	TIGHTENING STRAP 40-60MM	4
14	002863	AIR VENT SMALLER	2
15	002379	AIR VENT BIGGER	2
16	002795	AIR HOSE	1
17	002705	AL SELFGLUED TAPE	1
18	003536	HEATER TUBE "Y" SMALL	1
19	002502	HEATER TUBE "Y" LARGE	1
20	002391	EL.VENT SWITCH	1
21	002702	HEATER SWITCH	1
22	32S05U01-02M001	HEATER HARNESS	1
23	000896	HEATER HOSE	1
24	002624	HEATER	1
25	32S05U01-03M001	WASHER HARNESS	1

SEE PICTURES ON NEXT PAGES

FOR ALL TECHNICAL QUESTIONS, PLEASE CALL
 DFK AMERICA INC.
 (630) 324-6793

<p>Position : 1 Catalogue no.: 000968</p>	<p>Position : 2 Catalogue no.: 000885</p>	<p>Position : 3 Catalogue no.: 001576</p>
<p>Position : 4 Catalogue no.: 001652</p>	<p>Position : 5 Catalogue no.: 002764</p>	<p>Position : 6 Catalogue no.: 32S05U01-01M001</p>
<p>Position : 7 Catalogue no.: 32S05U01-02-001</p>	<p>Position : 8 Catalogue no.: 002491</p>	<p>Position : 9 Catalogue no.: 002386</p>

		
Position : 10	Position : 11	Position : 12
Catalogue no.: 001367	Catalogue no.: 002642	Catalogue no.: 002643
		
Position : 13	Position : 14	Position : 15
Catalogue no.: 001368	Catalogue no.: 002863	Catalogue no.: 002739
		
Position : 16	Position : 17	Position : 18
Catalogue no.: 002795	Catalogue no.: 002705	Catalogue no.: 003536



Position : 19

Position :20

Position : 21

Catalogue no.: 002502

Catalogue no.: 002391

Catalogue no.: 002702



Position : 22

Position : 23

Position : 24

Catalogue no.: 32S05U01-02M001

Catalogue no.: 000896

Catalogue no.: 002624



Position : 25

Catalogue no.: 32S05U01-03M001