



SPARE - PARTS CATALOG

CAN-AM
DEFENDER MAX

HardCabs →

Search instruction

1. Select the panel that interests you and go to the appropriate page catalog.

HONDA
PIONEER 1000

5

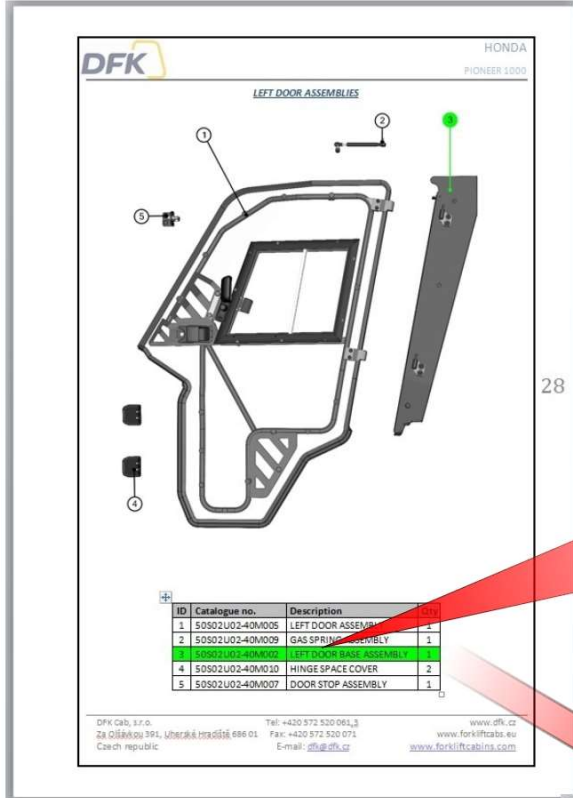
| ID | Catalogue no. | Description | Qty | Page |
|----|---------------|-------------|-----|------|
| 1 | 50S02U02S30 | ROOF PANEL | 1 | 15 |
| 2 | 50S02U02S20 | REAR PANEL | 1 | 18 |
| 3 | 50S02U02S40 | LEFT DOOR | 1 | 28 |
| 4 | 50S02U02S10 | FRONT PANEL | 1 | 7 |
| 5 | 50S02U02S50 | RIGHT DOOR | 1 | 42 |

DFK Cab, s.r.o.
Za Olšavkou 391, Uherské Hradiště 686 01
Czech republic

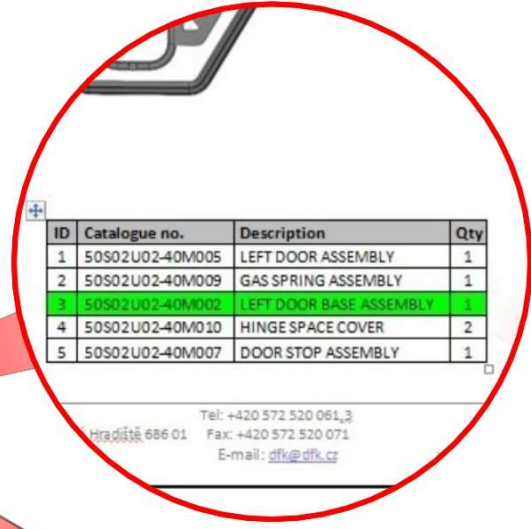
Tel: +420 572 520 061,3
Fax: +420 572 520 071
E-mail: dfk@dfk.cz

www.dfk.cz
www.forkliftcabs.eu
www.forkliftcabins.com

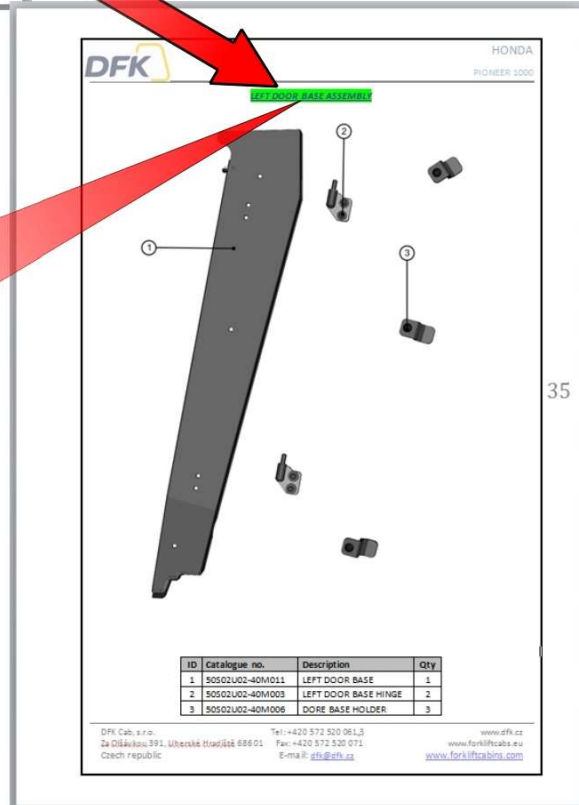
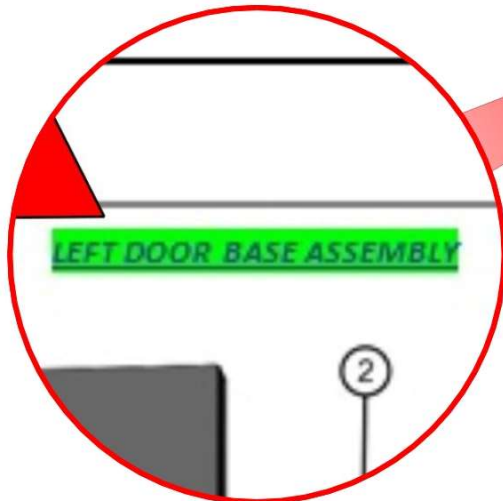
Search instruction



2. Select the name of assembly that interests you (box description).



3. Find the page with the same headline like the name of selected items.



4. Repeat the previous steps to find required part.

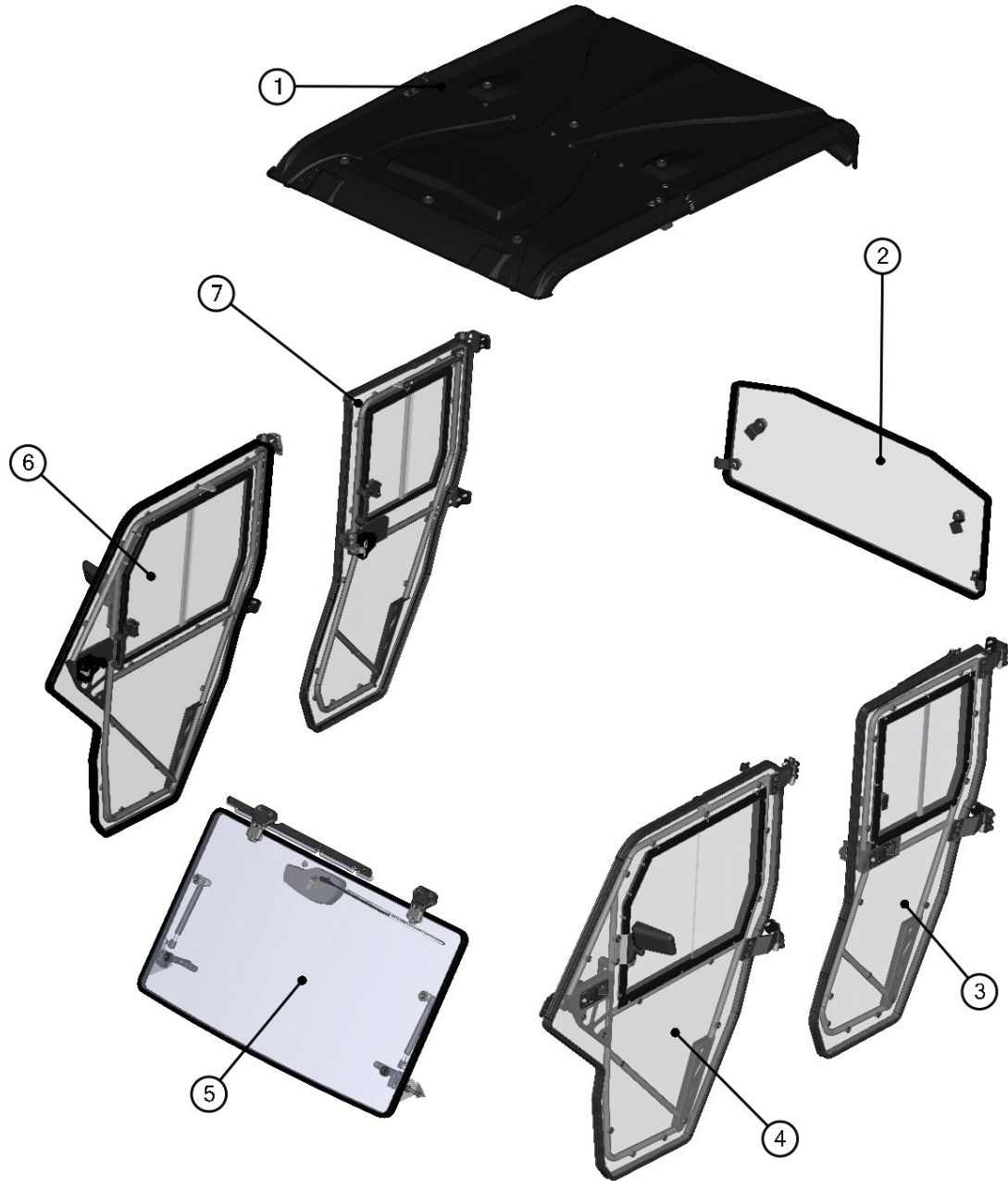


CAN-AM
DEFENDER MAX
CAB PREVIEW



4

FOR ALL TECHNICAL QUESTIONS, PLEASE CALL
DFK AMERICA INC.
(630) 324-8585



5

| ID | Catalogue no. | Description | Qty | Page |
|----|-----------------|-----------------|-----|------|
| 1 | 52S03U02S30 | ROOF PANEL | 1 | 20 |
| 2 | 52S03U01S20 | REAR PANEL | 1 | 16 |
| 3 | 52S03U02-40M020 | LEFT REAR DOOR | 1 | 29 |
| 4 | 52S03U02-40M010 | LEFT DOOR | 1 | 43 |
| 5 | 52S03U01S10 | FRONT PANEL | 1 | 7 |
| 6 | 52S03U02-50M010 | RIGHT DOOR | 1 | 71 |
| 7 | 52S03U02-50M020 | RIGHT REAR DOOR | 1 | 57 |

FOR ALL TECHNICAL QUESTIONS, PLEASE CALL
DFK AMERICA INC.
(630) 324-8585

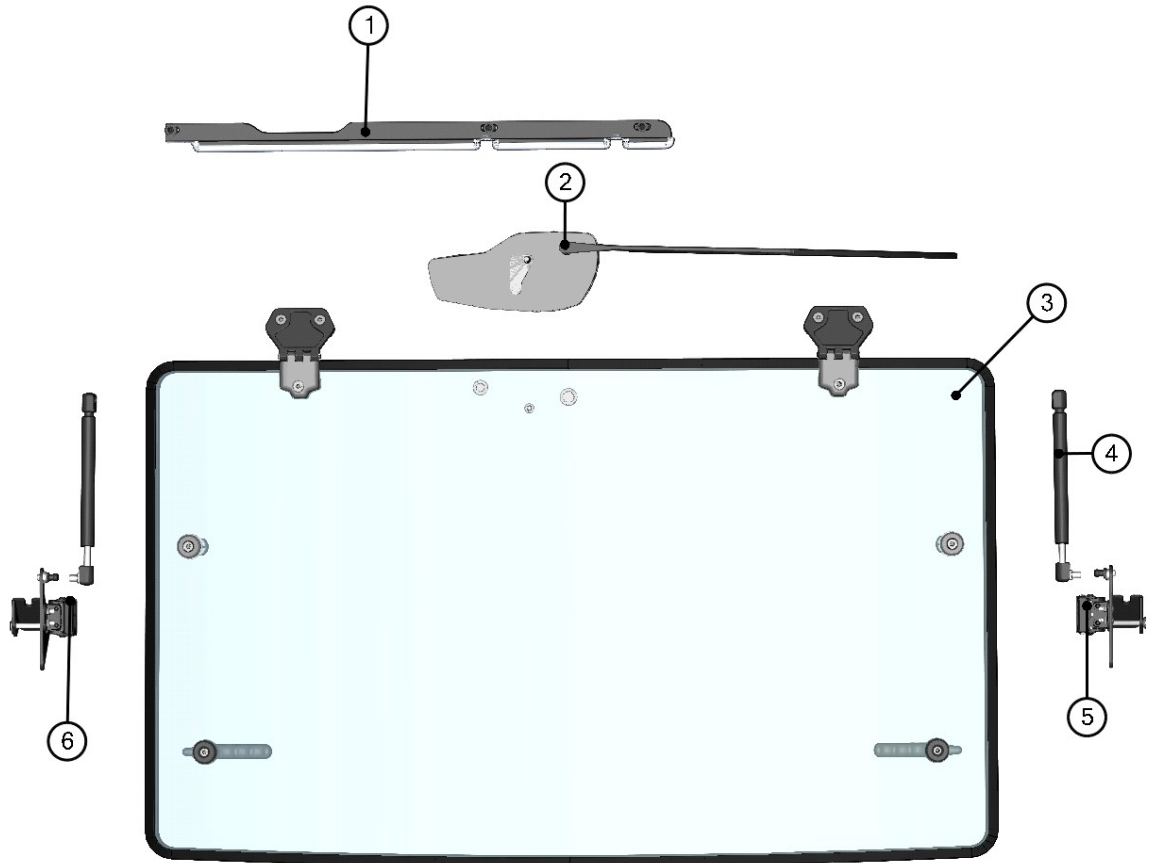


CAN-AM
DEFENDER MAX
FRONT PANEL



FOR ALL TECHNICAL QUESTIONS, PLEASE CALL
DFK AMERICA INC.
(630) 324-8585

FRONT PANEL ASSEMBLIES

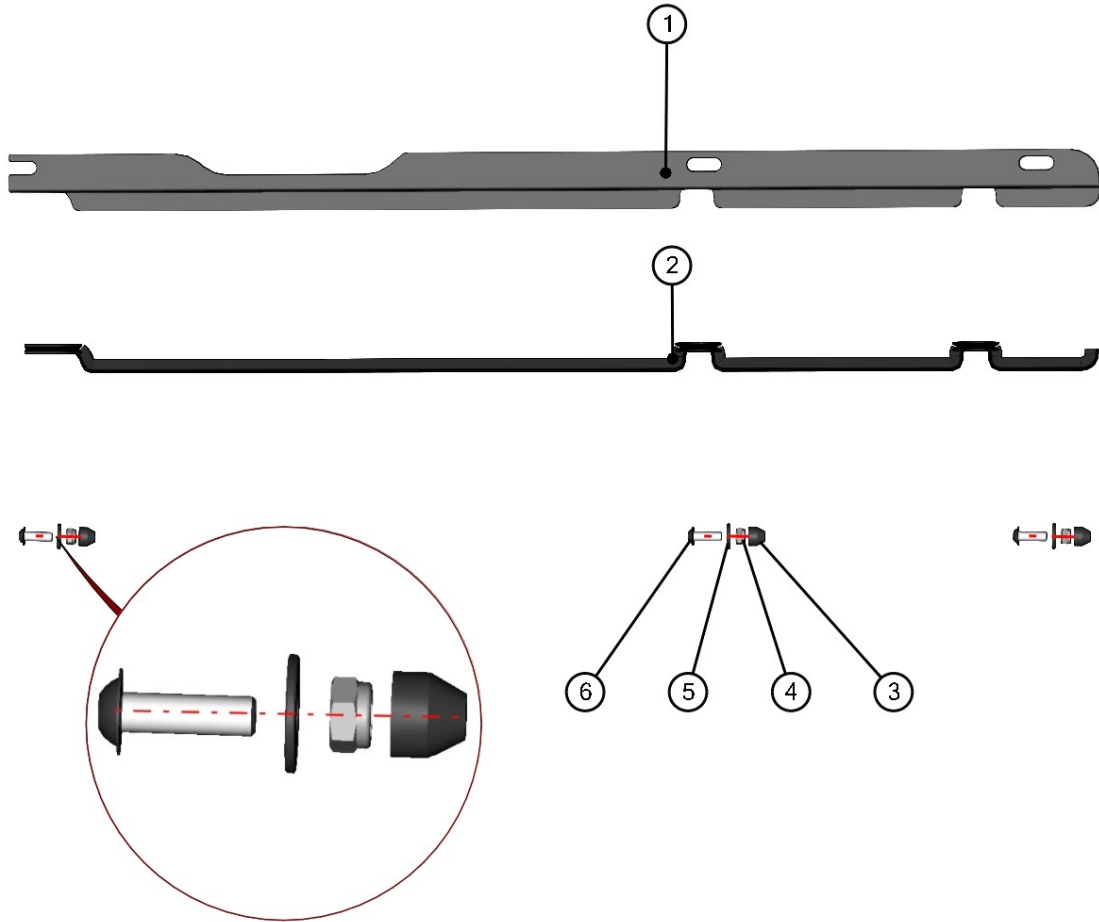


7

| ID | Catalogue no. | Description | Qty |
|----|-----------------|----------------------------------|-----|
| 1 | 52S03U01-10M011 | HARNESS COVER LEDGE ASSEMBLY | 1 |
| 2 | 52S03U01-10M007 | WIPER ASSEMBLY | 1 |
| 3 | 52S03U01-10M002 | FRONT WINDOW ASSEMBLY | 1 |
| 4 | 52S03U01-10M009 | FRONT WINDOW GAS SPRING ASSEMBLY | 2 |
| 5 | 52S03U01-10M005 | LEFT FRONT CONSOLE ASSEMBLY | 1 |
| 6 | 52S03U01-10M006 | RIGHT FRONT CONSOLE ASSEMBLY | 1 |

FOR ALL TECHNICAL QUESTIONS, PLEASE CALL
 DFK AMERICA INC.
 (630) 324-8585

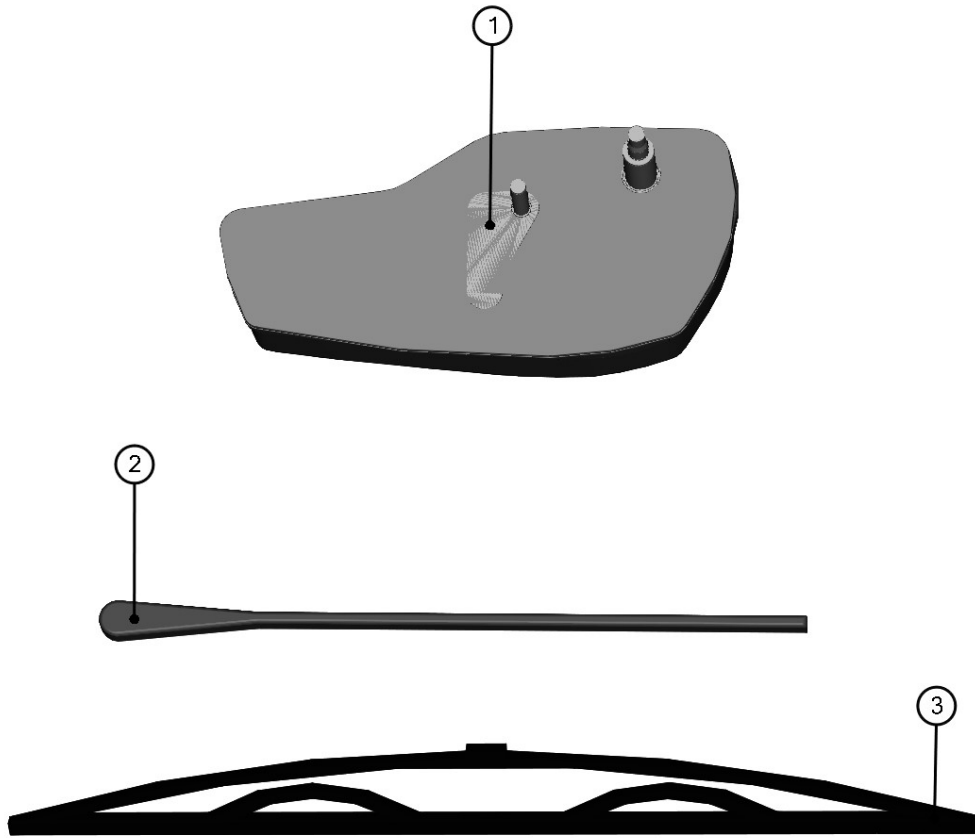
HARNESS COVER LEDGE ASSEMBLY



8

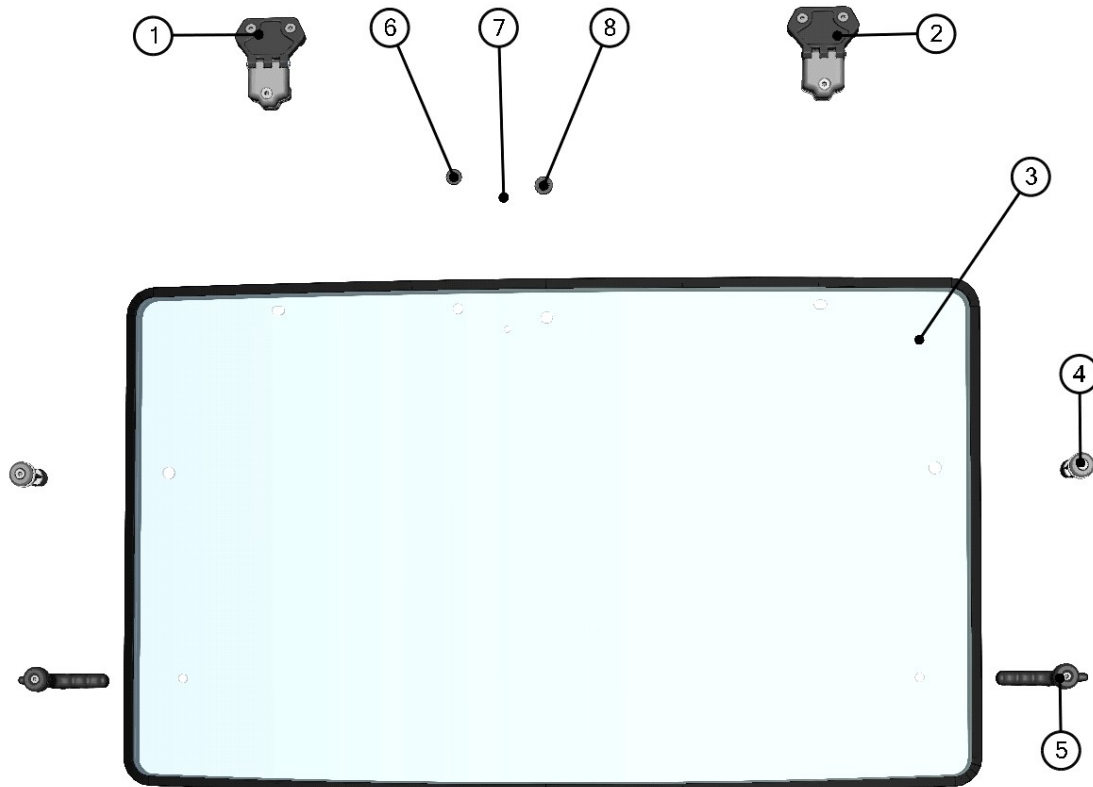
| ID | Catalogue no. | Description | Qty |
|----|------------------------|--------------------------|-----|
| 1 | 52S03U01-10-023 | HARNESS COVER LEDGE | 1 |
| 2 | 001001^52S03U01-10M011 | RUBBER PROFILE "LEMOVKA" | 1 |
| 3 | 001348 | PLASTIC NUT COVER OK 10 | 3 |
| 4 | 001392 | SELF-LOCKING NUT M6 | 3 |
| 5 | 004318 | RIVET WASHER 6 | 3 |
| 6 | 002192 | SCREW M6x20 | 3 |

FOR ALL TECHNICAL QUESTIONS, PLEASE CALL
 DFK AMERICA INC.
 (630) 324-8585



| ID | Catalogue no. | Description | Qty |
|----|---------------|----------------------|-----|
| 1 | 00-10M005 | WIPER MOTOR ASSEMBLY | 1 |
| 2 | 001764 | WIPER ARM | 1 |
| 3 | 001765 | WIPER LATCH | 1 |

FRONT WINDOW ASSEMBLY

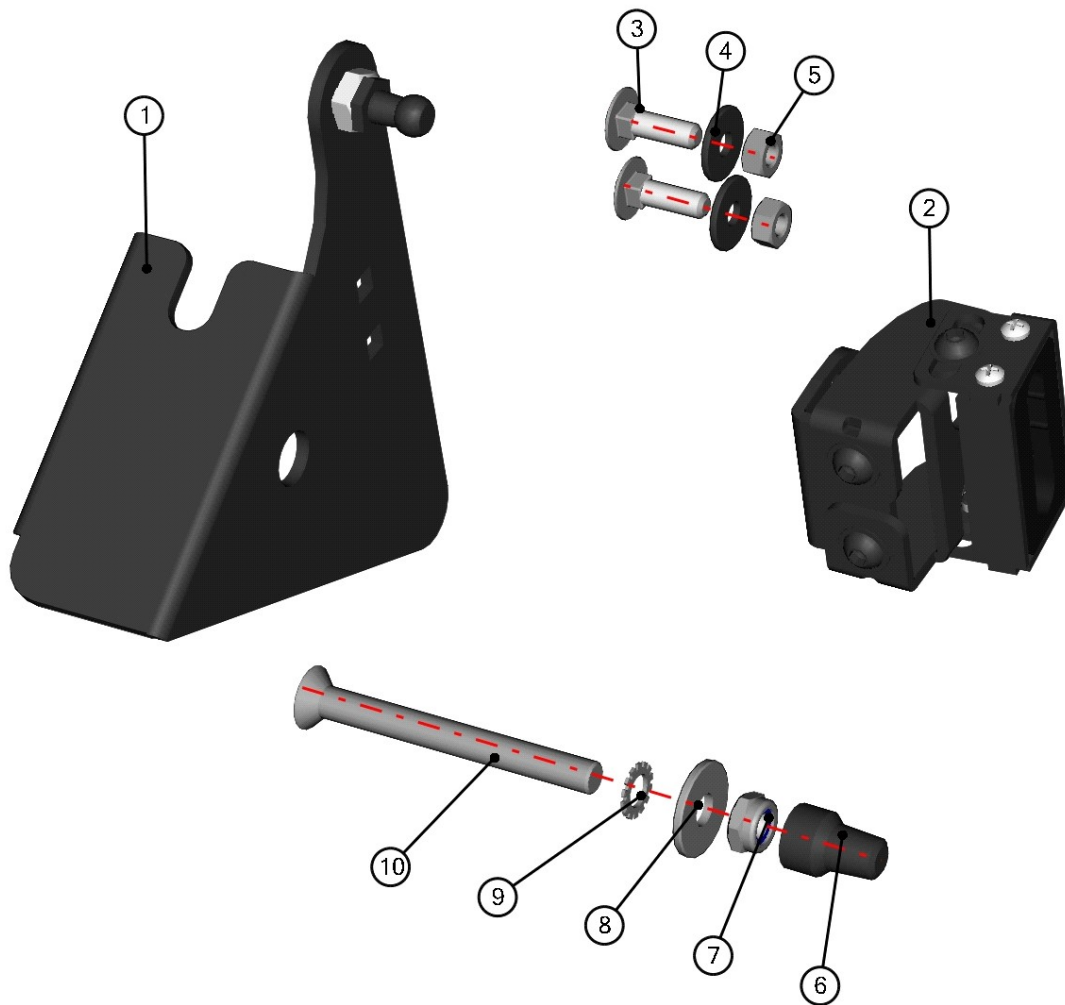


10

| ID | Catalogue no. | Description | Qty |
|----|-----------------|-------------------------------------|-----|
| 1 | 52S03U01-10M008 | RIGHT FRONT PANEL HINGE ASSEMBLY | 1 |
| 2 | 52S03U01-10M004 | LEFT FRONT PANEL HINGE ASSEMBLY | 1 |
| 3 | 52S03U01-10M001 | FRONT WINDOW WITH SEALING | 1 |
| 4 | 00-20M005 | UPPER FRONT PANEL GAS SPRING HOLDER | 2 |
| 5 | 00-10M023 | FRONT WINDOW LOCK | 2 |
| 6 | 002730 | PLASTIC COVER GPN 300 F 14 | 1 |
| 7 | 002728 | PLASTIC COVER GPN 300 F 042 | 1 |
| 8 | 002743 | PLASTIC COVER GPN 300 F 17 | 1 |

FOR ALL TECHNICAL QUESTIONS, PLEASE CALL
 DFK AMERICA INC.
 (630) 324-8585

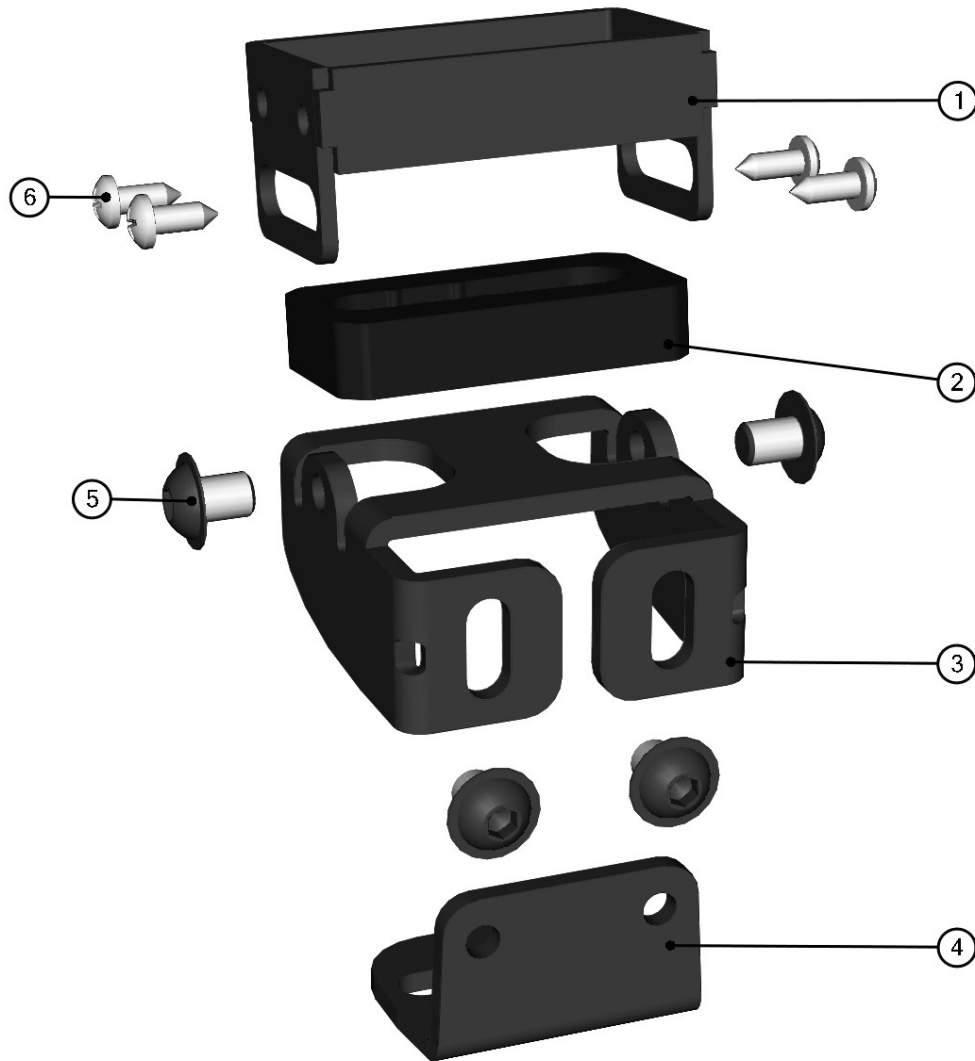
LEFT FRONT CONSOLE ASSEMBLY



| ID | Catalogue no. | Description | Qty |
|----|-----------------|------------------------------|-----|
| 1 | 52S03U01-10W001 | LEFT FRONT CONSOLE WELDED | 1 |
| 2 | 52S03U01-10M003 | FRONT WINDOW STOP ASSEMBLY | 1 |
| 3 | 004367 | SCREW M8x20 | 2 |
| 4 | 004318 | RIVET WASHER 6 | 2 |
| 5 | 001425 | NUT M6 | 2 |
| 6 | 001308 | PLASTIC NUT COVER LONG OK 13 | 1 |
| 7 | 001388 | SELF-LOCKING NUT M8 | 1 |
| 8 | 001407 | RIVET WASHER 8 | 1 |
| 9 | 001489 | SERRATED LOCK WASHER 8 | 1 |
| 10 | 002282 | SCREW M8x80 | 1 |

FOR ALL TECHNICAL QUESTIONS, PLEASE CALL
 DFK AMERICA INC.
 (630) 324-8585

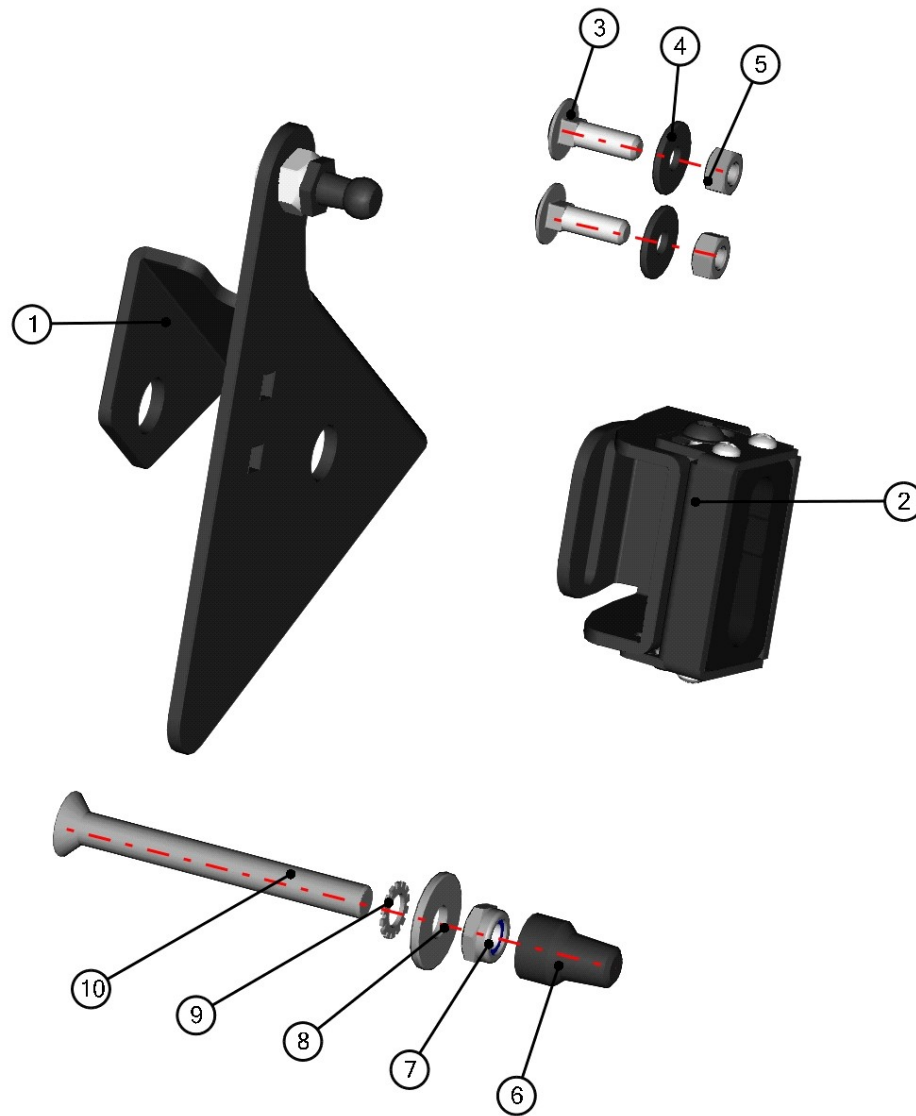
FRONT WINDOW STOP ASSEMBLY



| ID | Catalogue no. | Description | Qty |
|----|-----------------|---------------------------------|-----|
| 1 | 00-10W003 | FRONT WINDOW STOP HOLDER WELDED | 1 |
| 2 | 00-199U-011 | RUBBER STOP | 1 |
| 3 | 52S03U01-10-003 | LOCKING | 1 |
| 4 | 52S03U01-10-004 | LOCKING HOLDER | 1 |
| 5 | 004387 | SCREW M6x15 | 4 |
| 6 | 003936 | SELF-CUTTING SCREW 3,5x9,5 | 4 |

RIGHT FRONT CONSOLE ASSEMBLY

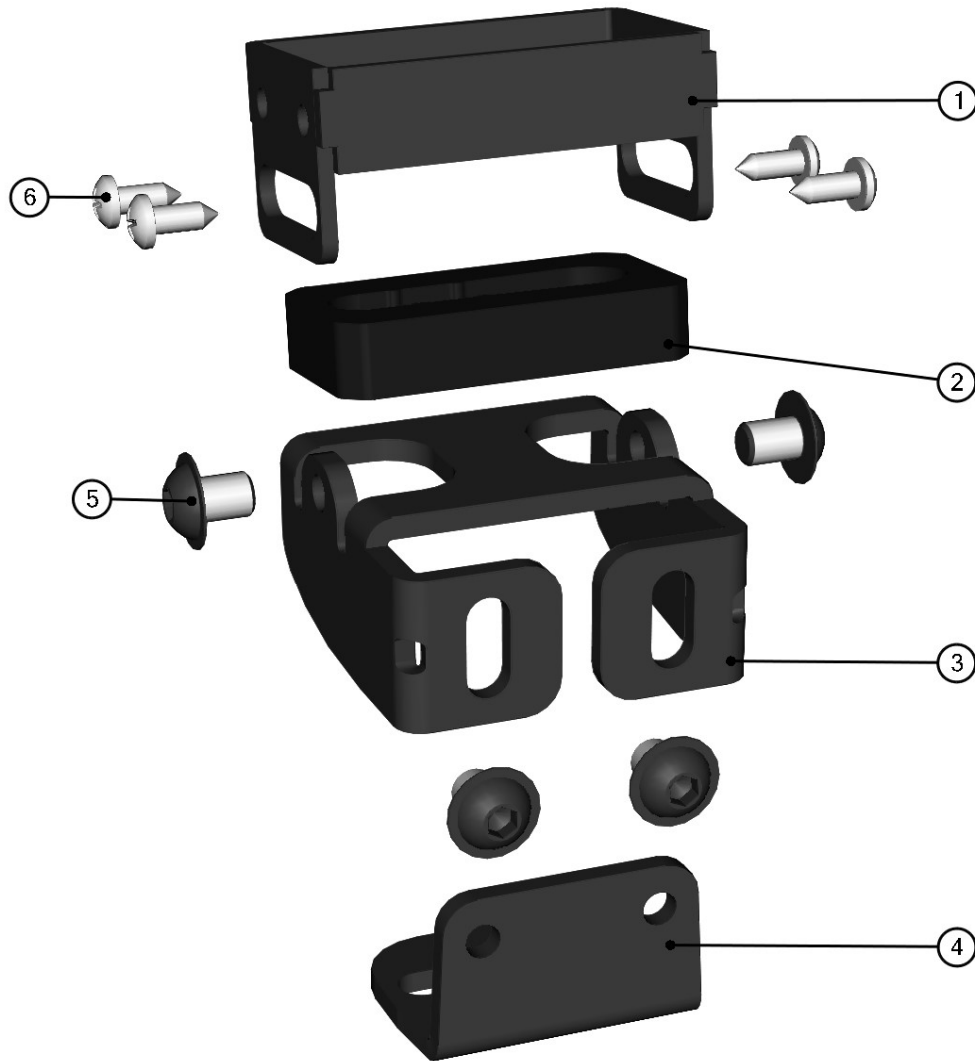
FOR ALL TECHNICAL QUESTIONS, PLEASE CALL
 DFK AMERICA INC.
 (630) 324-8585



| ID | Catalogue no. | Description | Qty |
|----|-----------------|------------------------------|-----|
| 1 | 52S03U01-10W002 | RIGHT FRONT CONSOLE WELDED | 1 |
| 2 | 52S03U01-10M006 | FRONT WINDOW STOP ASSEMBLY | 1 |
| 3 | 004367 | SCREW M8x20 | 2 |
| 4 | 004318 | RIVET WASHER 6 | 2 |
| 5 | 001425 | NUT M6 | 2 |
| 6 | 001308 | PLASTIC NUT COVER LONG OK 13 | 1 |
| 7 | 001388 | SELF-LOCKINH NUT M8 | 1 |
| 8 | 001407 | RIVET WASHER 8 | 1 |
| 9 | 001489 | SERRATED LOCK WASHER 8 | 1 |
| 10 | 002282 | SCREW M6x35 | 1 |

FRONT WINDOW STOP ASSEMBLY

FOR ALL TECHNICAL QUESTIONS, PLEASE CALL
DFK AMERICA INC.
(630) 324-8585



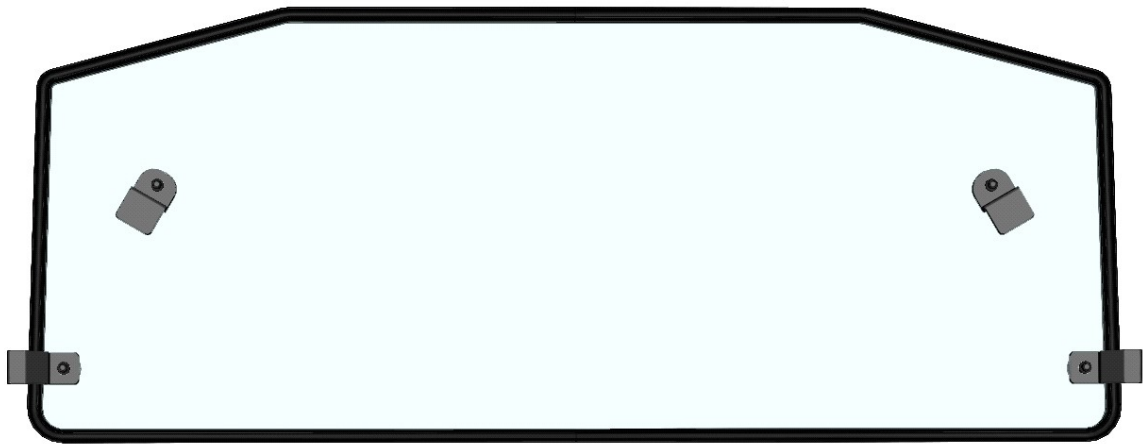
| ID | Catalogue no. | Description | Qty |
|----|-----------------|---------------------------------|-----|
| 1 | 00-10W003 | FRONT WINDOW STOP HOLDER WELDED | 1 |
| 2 | 00-199U-011 | RUBBER STOP | 1 |
| 3 | 52S03U01-10-003 | LOCKING | 1 |
| 4 | 52S03U01-10-004 | LOCKING HOLDER | 1 |
| 5 | 004387 | SCREW M6x15 | 4 |
| 6 | 003936 | SELF-CUTTING SCREW 3,5x9,5 | 4 |

REAR PANEL

FOR ALL TECHNICAL QUESTIONS, PLEASE CALL
DFK AMERICA INC.
(630) 324-8585



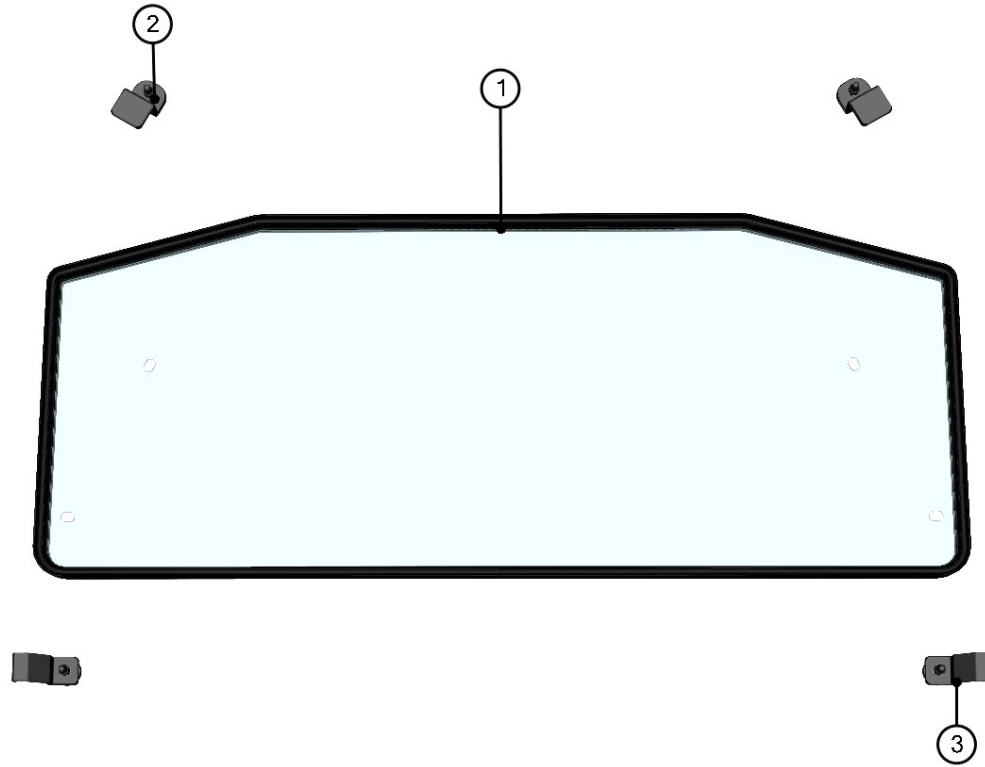
CAN-AM
DEFENDER MAX



15

REAR PANEL ASSEMBLIES

FOR ALL TECHNICAL QUESTIONS, PLEASE CALL
DFK AMERICA INC.
(630) 324-8585

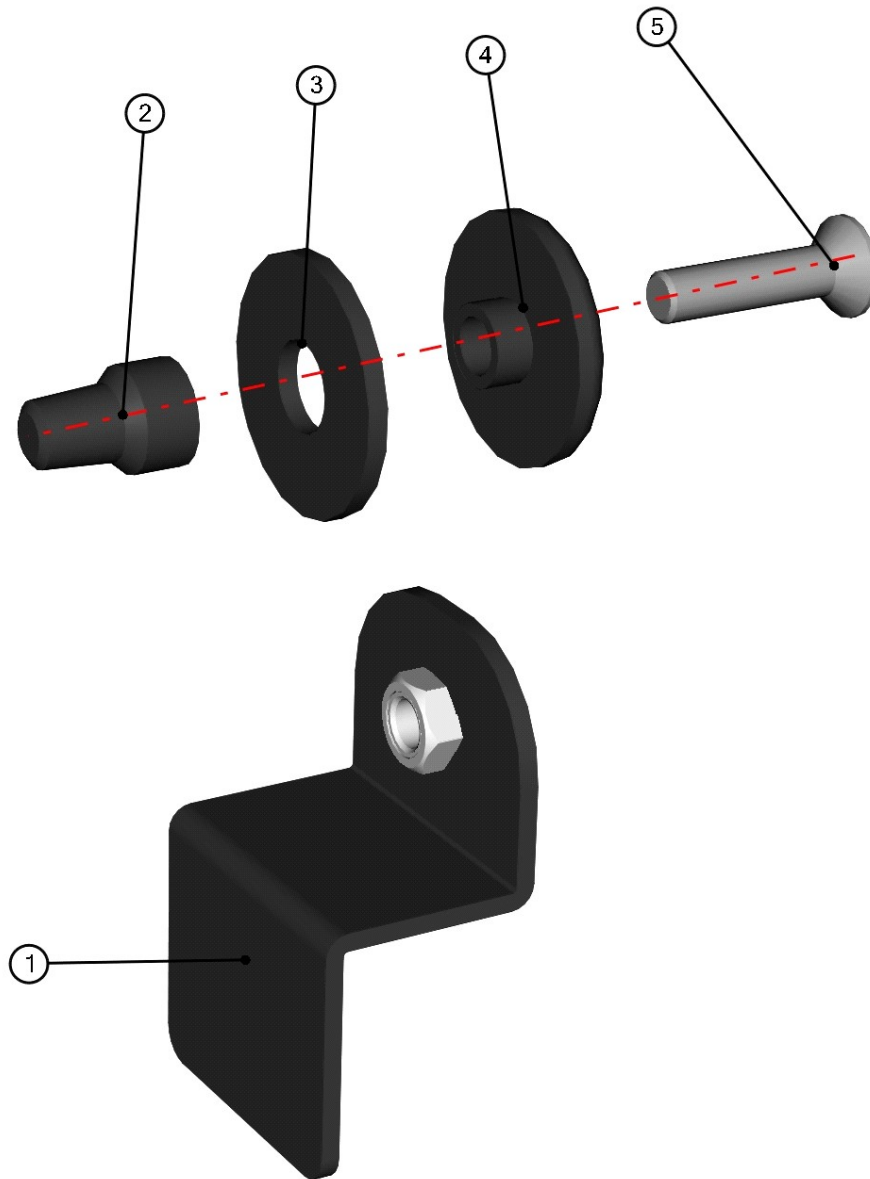


16

| ID | Catalogue no. | Description | Qty |
|----|-----------------|-----------------------------------|-----|
| 1 | 52S03U01-20M002 | REAR GLASS WITH SEALING | 1 |
| 2 | 52S03U01-20M003 | UPPER REAR PANEL HOLDER ASSEMBLY | 2 |
| 3 | 52S03U01-20M001 | BOTTOM REAR PANEL HOLDER ASSEMBLY | 2 |

UPPER REAR PANEL HOLDER ASSEMBLY

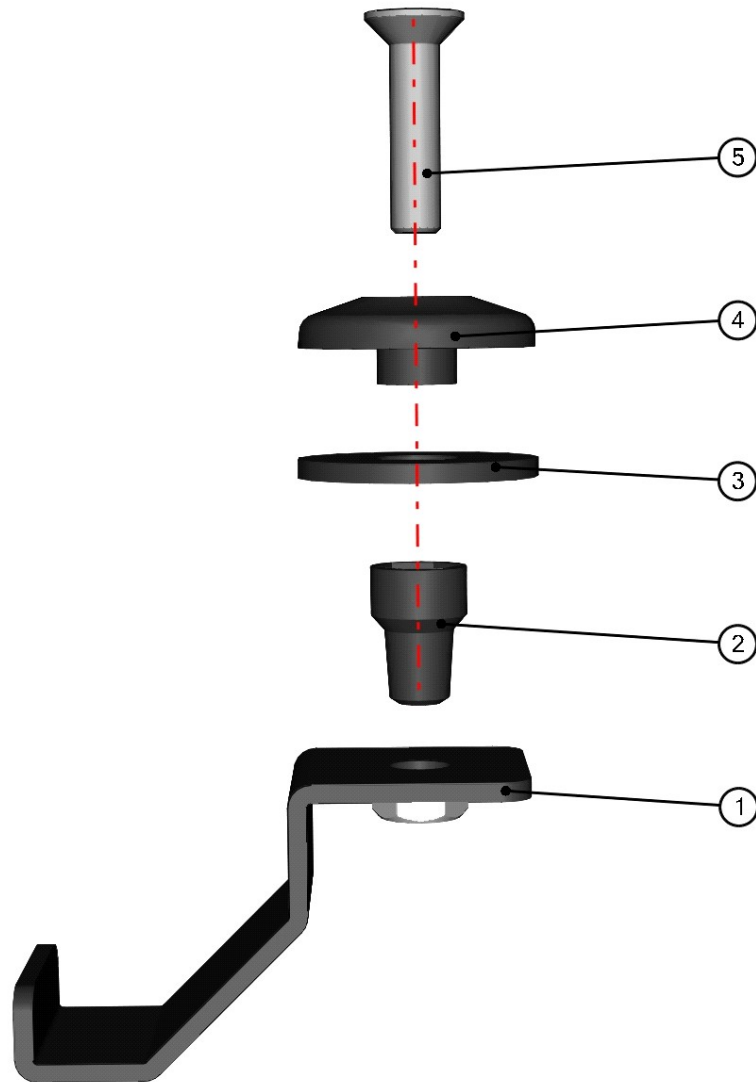
FOR ALL TECHNICAL QUESTIONS, PLEASE CALL
DFK AMERICA INC.
(630) 324-8585



| ID | Catalogue no. | Description | Qty |
|----|-----------------|--------------------------------|-----|
| 1 | 52S03U01-20W002 | UPPER REAR PANEL HOLDER WELDED | 1 |
| 2 | 001308 | PLASTIC NUT COVER LONG OK 13 | 1 |
| 3 | 001428 | RUBBER WASHER | 1 |
| 4 | 001429 | PLASTIC WASHER | 1 |
| 5 | 001760 | SCREW M8x35 | 1 |

BOTTOM REAR PANEL HOLDER ASSEMBLY

FOR ALL TECHNICAL QUESTIONS, PLEASE CALL
DFK AMERICA INC.
(630) 324-8585



| ID | Catalogue no. | Description | Qty |
|----|-----------------|---------------------------------|-----|
| 1 | 52S03U01-20W001 | BOTTOM REAR PANEL HOLDER WELDED | 1 |
| 2 | 001308 | PLASTIC NUT COVER LONG OK 13 | 1 |
| 3 | 001428 | RUBBER WASHER | 1 |
| 4 | 001429 | PLASTIC WASHER | 1 |
| 5 | 001760 | SCREW M8x35 | 1 |

ROOF

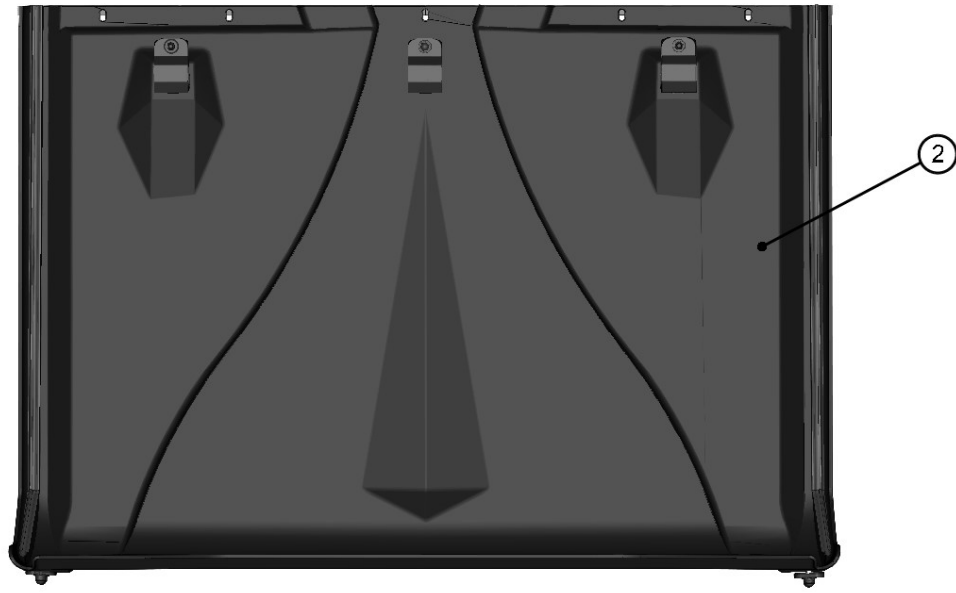
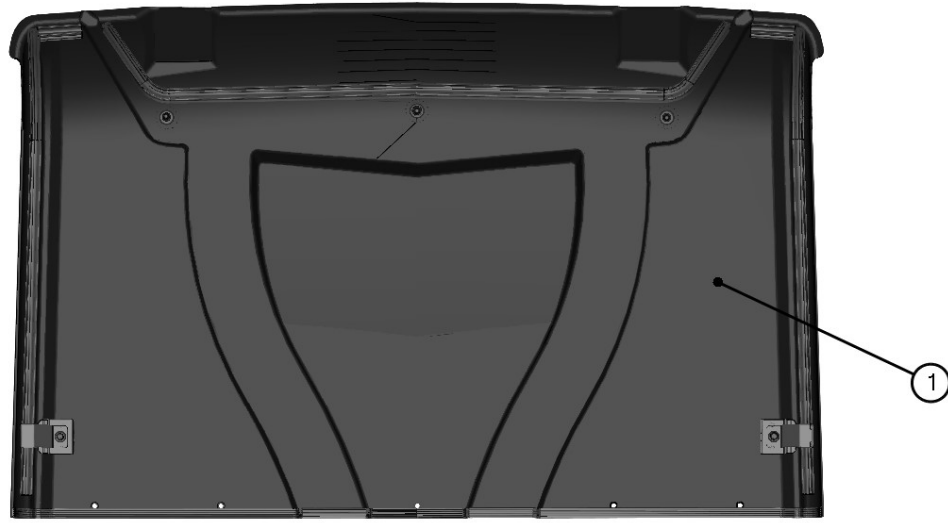
FOR ALL TECHNICAL QUESTIONS, PLEASE CALL
DFK AMERICA INC.
(630) 324-8585



19

ROOF PANEL ASSEMBLIES

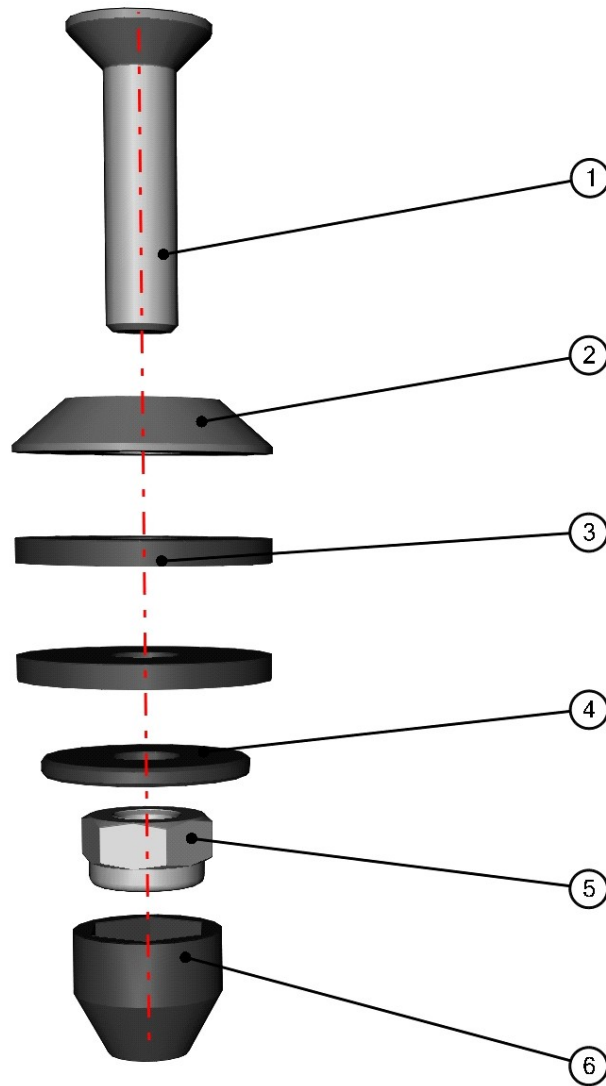
FOR ALL TECHNICAL QUESTIONS, PLEASE CALL
DFK AMERICA INC.
(630) 324-8585



| ID | Catalogue no. | Description | Qty |
|----|-----------------|-----------------------------|-----|
| 1 | 52S03U02-30M001 | FRONT ROOF PANEL | 1 |
| 2 | 52S03U02-30M003 | REAR ROOF PANEL | 1 |
| 3 | 52S03U02-30M006 | ROOF PANELS FIXING ASSEMBLY | 5 |

ROOF PANELS FIXING ASSEMBLY

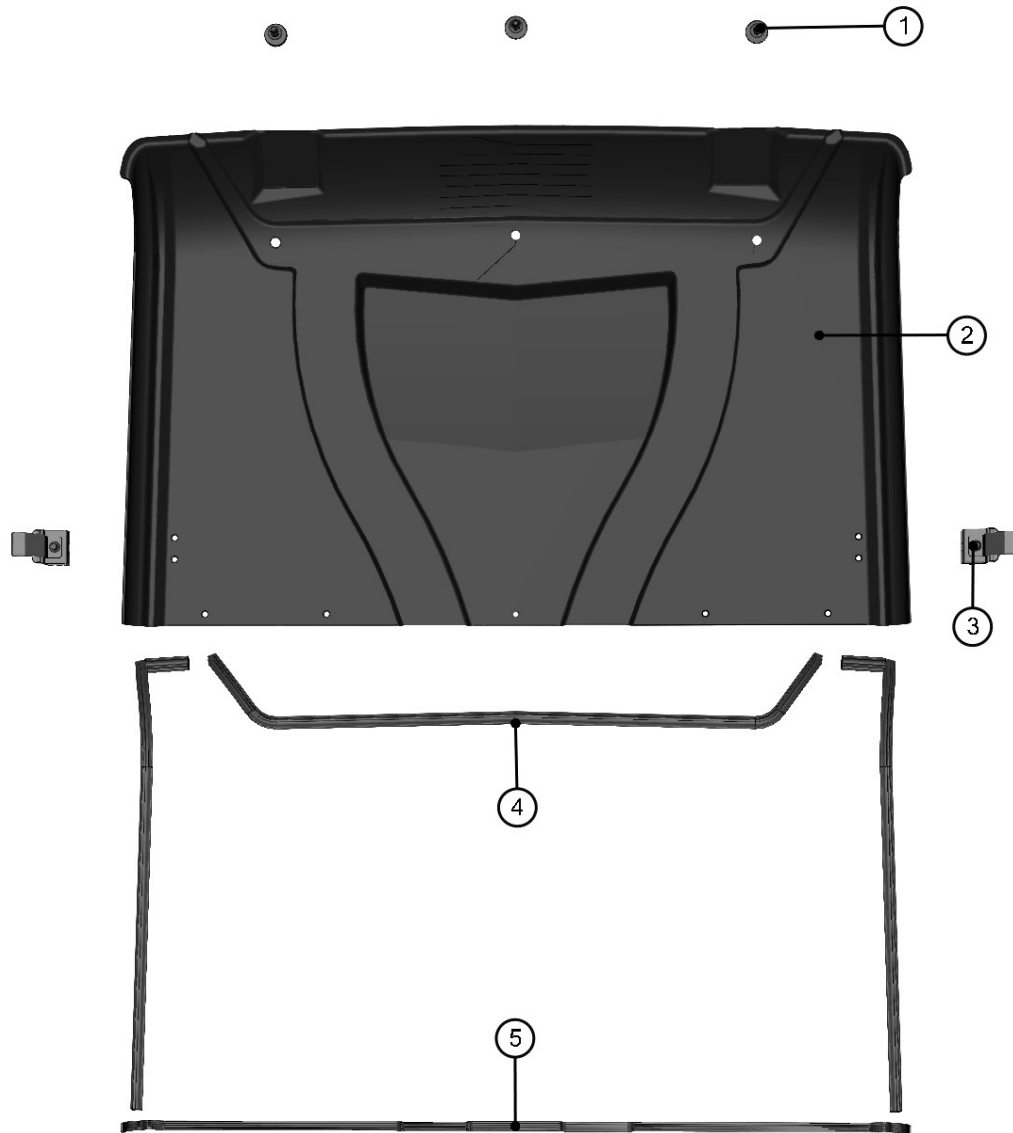
FOR ALL TECHNICAL QUESTIONS, PLEASE CALL
DFK AMERICA INC.
(630) 324-8585



| ID | Catalogue no. | Description | Qty |
|----|---------------|-------------------------|-----|
| 1 | 002120 | SCREW M6x30 | 1 |
| 2 | 001715 | PLASTIC WASHER | 1 |
| 3 | 001735 | RUBBER WASHER | 2 |
| 4 | 004318 | RIVET WASHER 6 | 1 |
| 5 | 001392 | SELF-LOCKING NUT M6 | 1 |
| 6 | 001348 | PLASTIC NUT COVER OK 10 | 1 |

FRONT ROOF PANEL

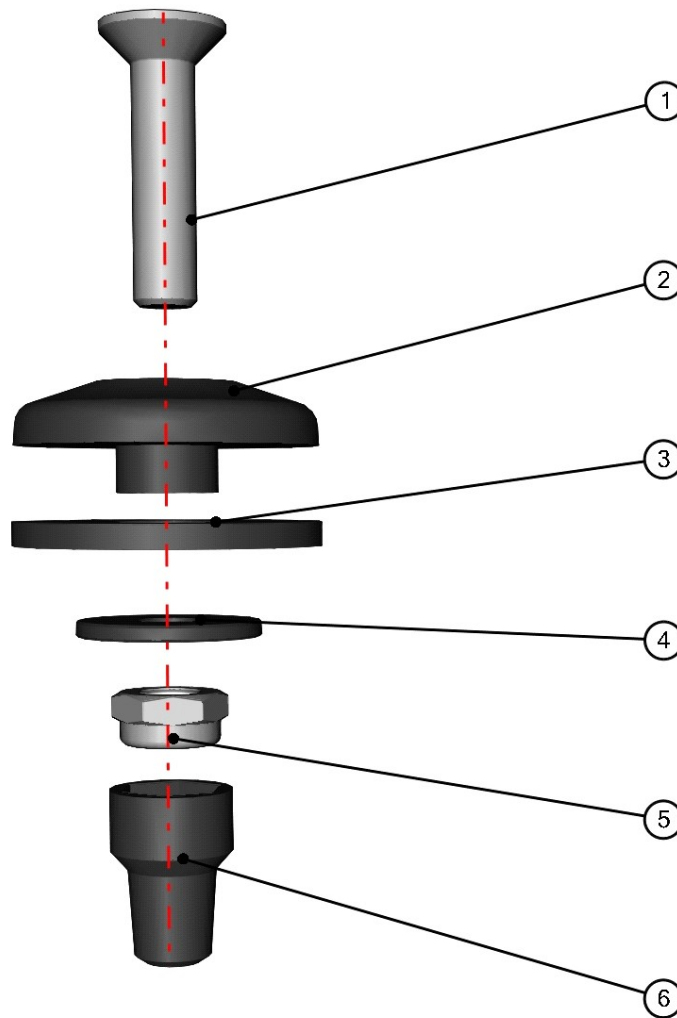
FOR ALL TECHNICAL QUESTIONS, PLEASE CALL
DFK AMERICA INC.
(630) 324-8585



| ID | Catalogue no. | Description | Qty |
|----|------------------------|----------------------------------|-----|
| 1 | 52S03U01-30M002 | FRONT ROOF PANEL FIXING ASSEMBLY | 3 |
| 2 | 52S03U02-30-001 | FRONT ROOF PANEL | 1 |
| 3 | 52S03U02-30M007 | FRONT ROOF PANEL HOLDER ASSEMBLY | 2 |
| 4 | 001010^52S03U02-30M004 | RUBBER PROFILE "SARAZINO" | 1 |
| 5 | 001771^52S03U02-30M004 | RUBBER SEALING KR 15x4 | 1 |

FRONT ROOF PANEL FIXING ASSEMBLY

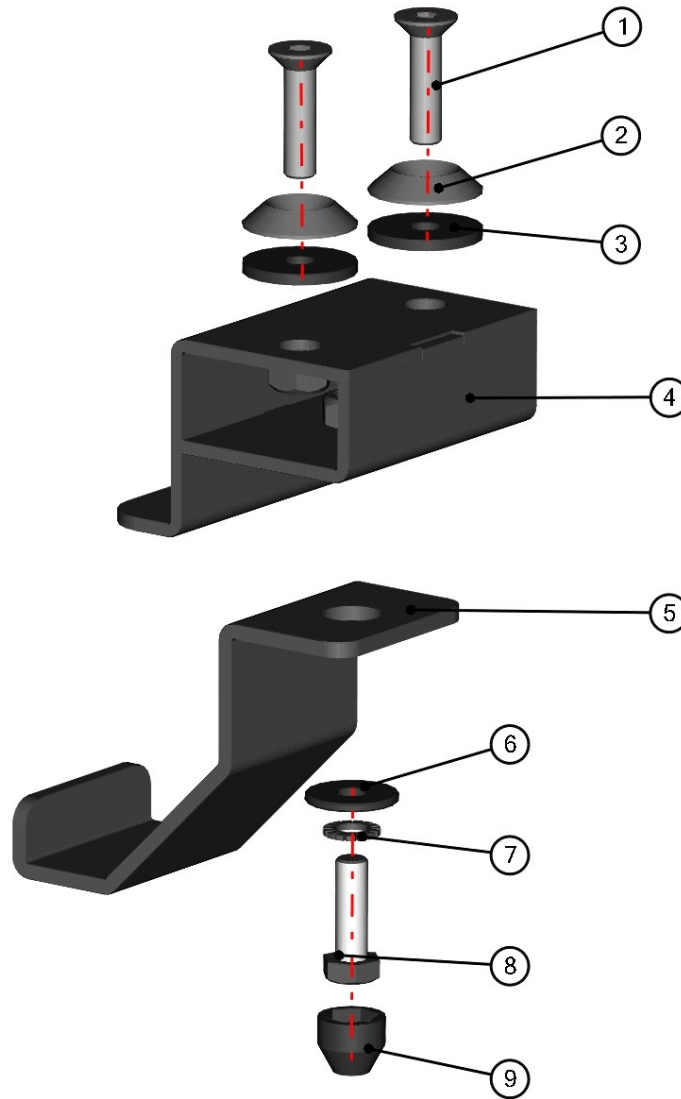
FOR ALL TECHNICAL QUESTIONS, PLEASE CALL
DFK AMERICA INC.
(630) 324-8585



| ID | Catalogue no. | Description | Qty |
|----|---------------|-------------------------|-----|
| 1 | 002120 | SCREW M6x30 | 1 |
| 2 | 001715 | PLASTIC WASHER | 1 |
| 3 | 001735 | RUBBER WASHER | 2 |
| 4 | 004318 | RIVET WASHER 6 | 1 |
| 5 | 001392 | SELF-LOCKING NUT M6 | 1 |
| 6 | 001348 | PLASTIC NUT COVER OK 10 | 1 |

FRONT ROOF PANEL HOLDER ASSEMBLY

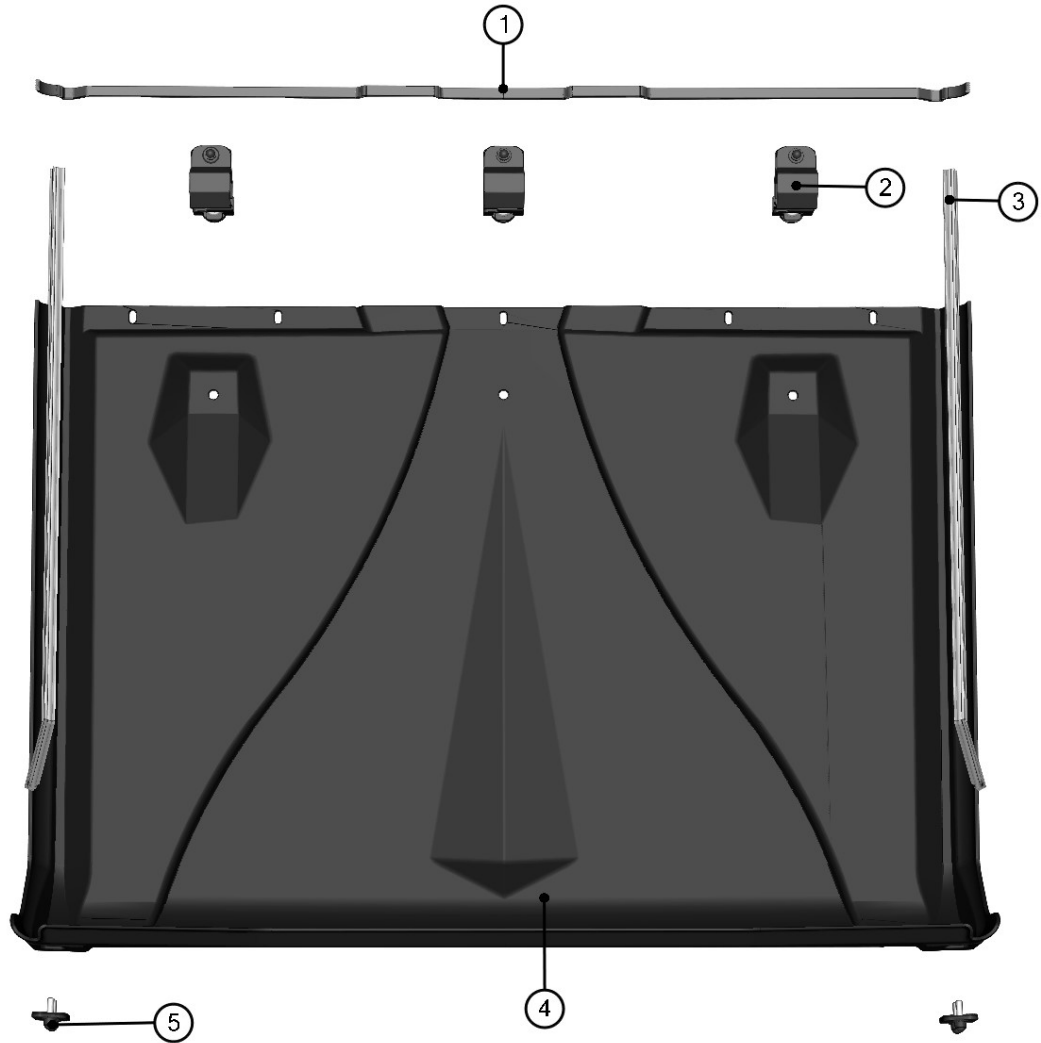
FOR ALL TECHNICAL QUESTIONS, PLEASE CALL
DFK AMERICA INC.
(630) 324-8585



| ID | Catalogue no. | Description | Qty |
|----|-----------------|---------------------------------------|-----|
| 1 | 002120 | SCREW M6x25 | 2 |
| 2 | 001715 | PLASTIC WASHER | 2 |
| 3 | 001735 | RUBBER WASHER | 2 |
| 4 | 52S03U02-30W001 | FRONT ROOF PANEL HOLDER SPACER WELDED | 1 |
| 5 | 52S03U02-30-009 | FRONT ROOF PANEL HOLDER | 1 |
| 6 | 004318 | RIVET WASHER 6 | 1 |
| 7 | 001488 | SERRATED LOCK WASHER 6 | 1 |
| 8 | 001398 | SCREW M6x20 | 1 |
| 9 | 001348 | PLASTIC NUT COVER OK 10 | 1 |

REAR ROOF PANEL

FOR ALL TECHNICAL QUESTIONS, PLEASE CALL
DFK AMERICA INC.
(630) 324-8585

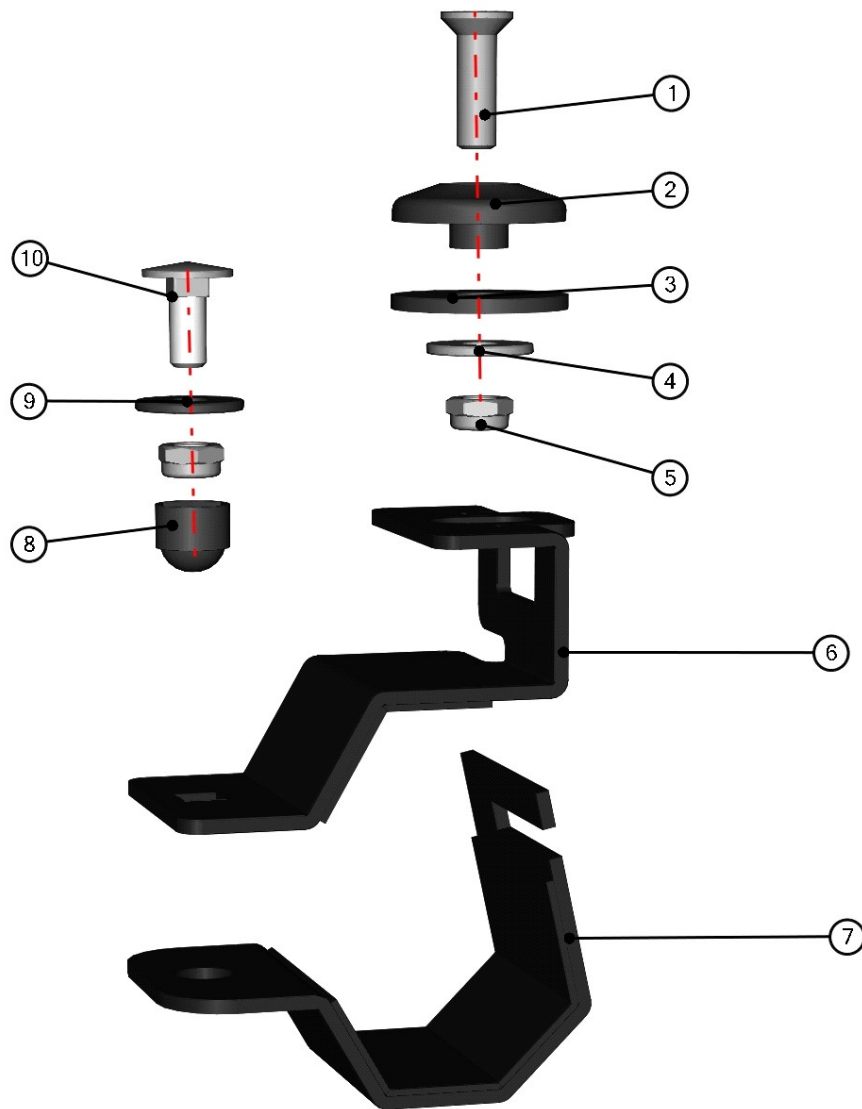


25

| ID | Catalogue no. | Description | Qty |
|----|------------------------|---------------------------------|-----|
| 1 | 001771^52S03U02-30M002 | RUBBER SEALING KR 15x4 | 1 |
| 2 | 52S03U02-30M005 | REAR ROOF PANEL HOLDER ASSEMBLY | 3 |
| 3 | 001010^52S03U02-30M002 | RUBBER PROFILE "SARAZIN" | 1 |
| 4 | 52S03U02-30-002 | REAR ROOF PANEL | 1 |
| 5 | 52S03U01-30M003 | RAER ROOF PANEL FIXING ASSEMBLY | 2 |

REAR ROOF PANEL HOLDER ASSEMBLY

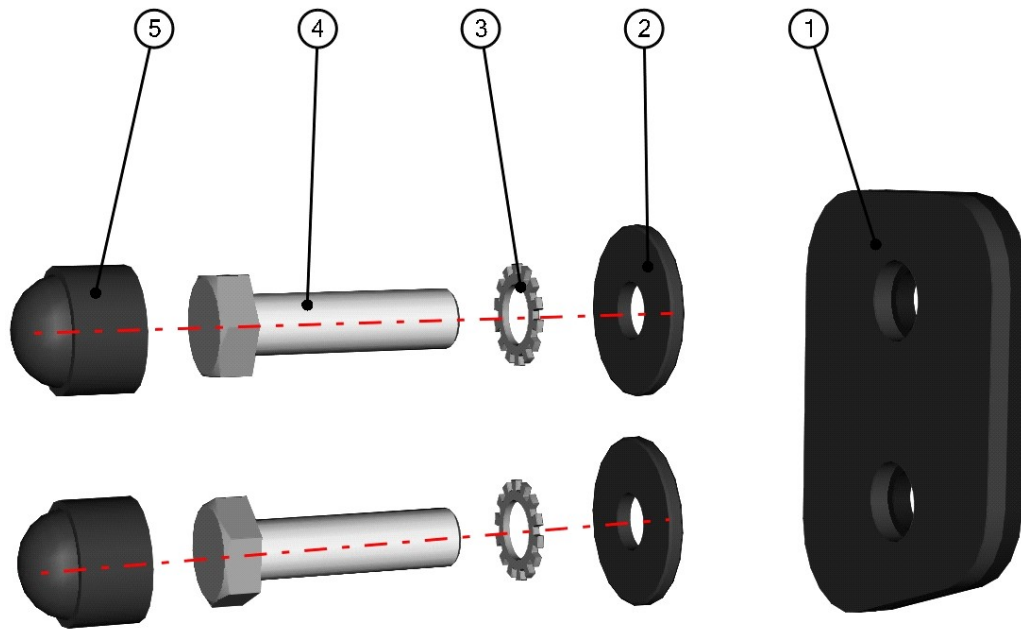
FOR ALL TECHNICAL QUESTIONS, PLEASE CALL
DFK AMERICA INC.
(630) 324-8585



| ID | Catalogue no. | Description | Qty |
|----|-----------------|--------------------------------|-----|
| 1 | 002121 | SCREW M8x30 | 1 |
| 2 | 001429 | PLASTIC WASHER | 1 |
| 3 | 001428 | RUBBER WASHER | 1 |
| 4 | 001407 | RIVET WASHER 8 | 1 |
| 5 | 001388 | SELF-LOCKING NUT M8 | 2 |
| 6 | 52S03U02-30-005 | REAR ROOF PANEL HOLDER SOLID | 1 |
| 7 | 52S03U02-30-006 | REAR ROOF PANEL HOLDER MOVABLE | 1 |
| 8 | 001309 | PLASTIC NUT COVER OK 13 | 1 |
| 9 | 003322 | RIVET WASHER 8 | 1 |
| 10 | 002575 | SCREW M8x20 | 1 |

RAER ROOF PANEL FIXING ASSEMBLY

FOR ALL TECHNICAL QUESTIONS, PLEASE CALL
DFK AMERICA INC.
(630) 324-8585

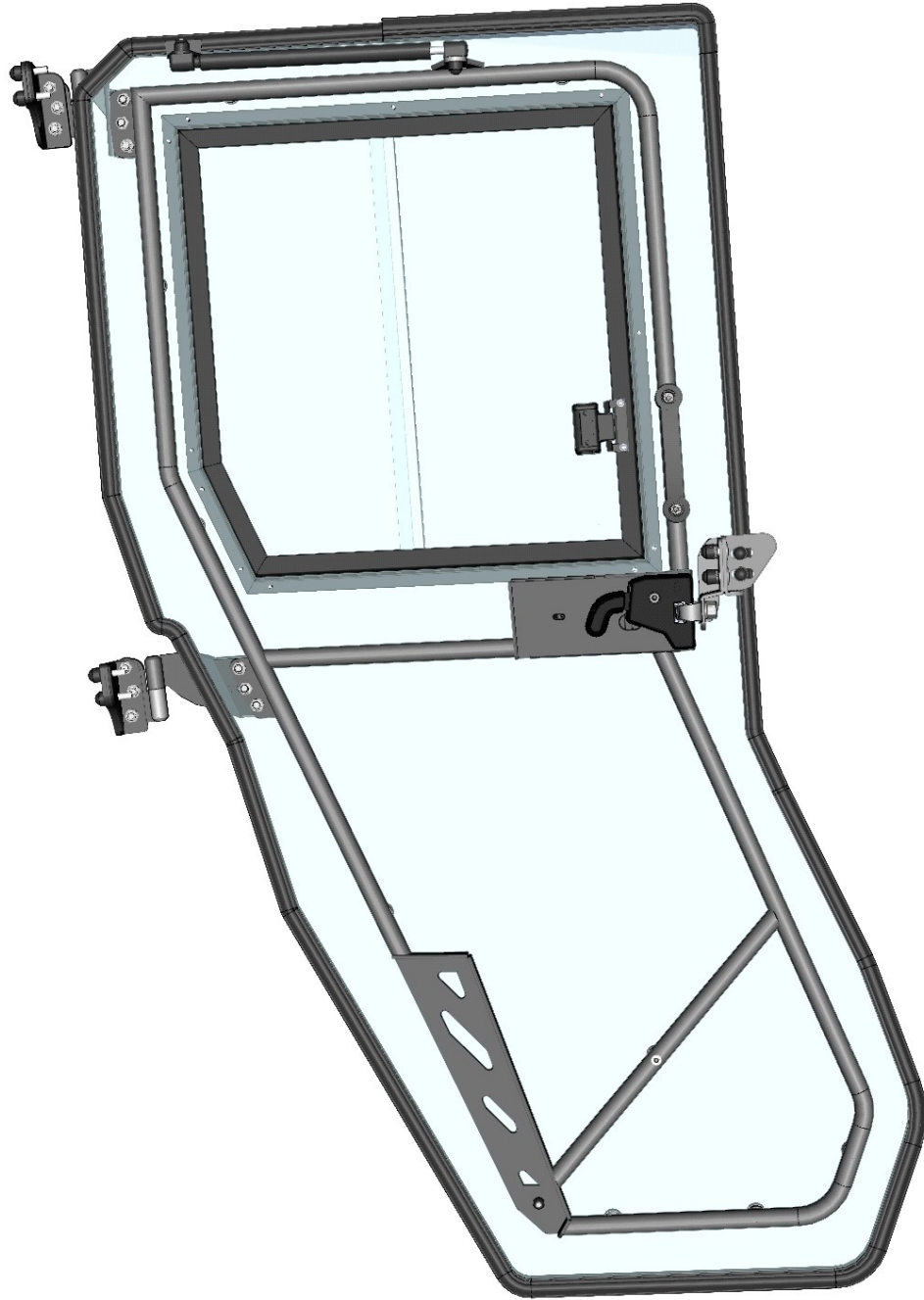


27

| ID | Catalogue no. | Description | Qty |
|----|-----------------|-------------------------------|-----|
| 1 | 52S03U01-30-002 | REAR ROOF PANEL FIXING WASHER | 1 |
| 2 | 003322 | RIVET WASHER 8 | 2 |
| 3 | 001489 | SERRATED LOCK WASHER 8 | 2 |
| 4 | 001411 | SCREW M8x30 | 2 |
| 5 | 001309 | PLASTIC NUT COVER OK 13 | 2 |

LEFT REAR DOOR

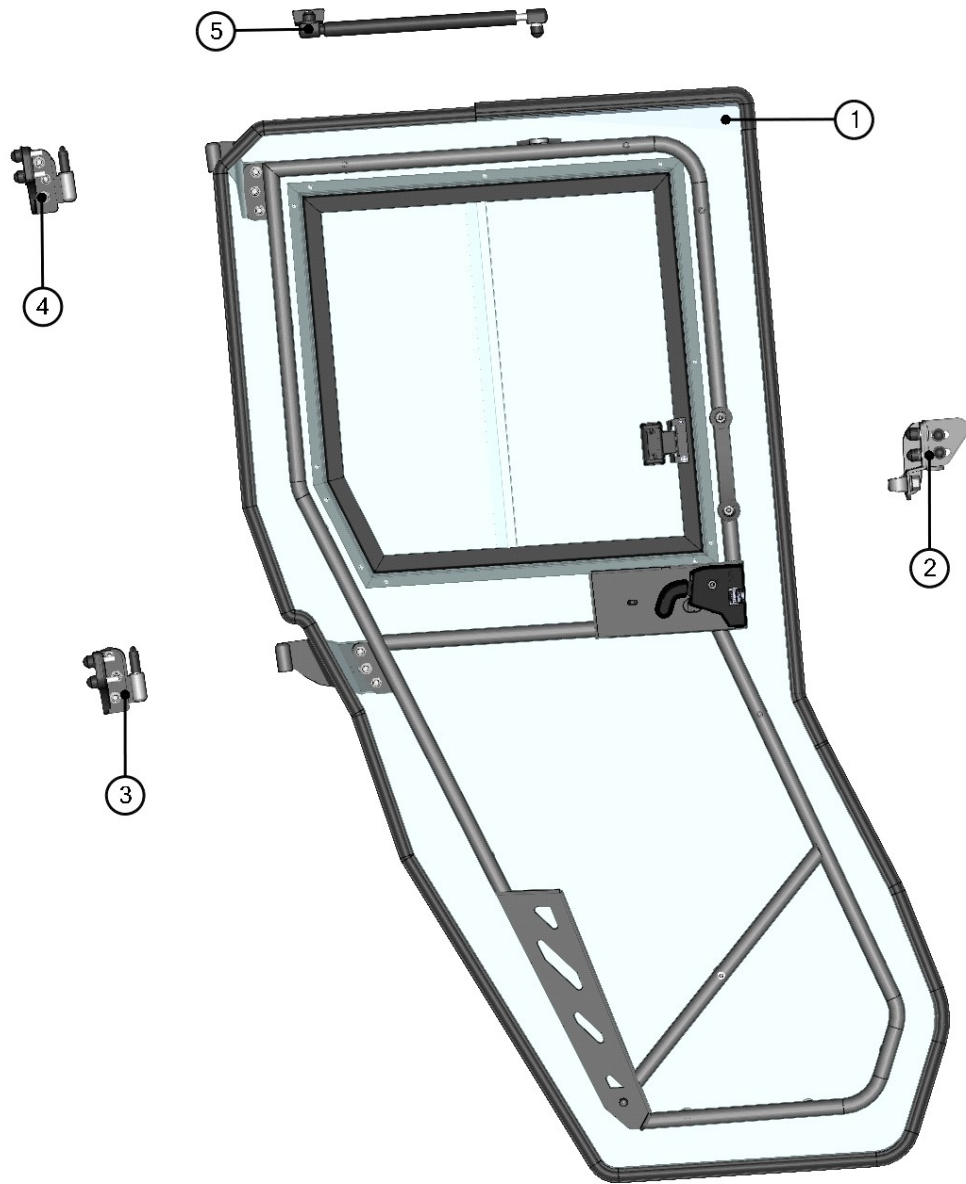
FOR ALL TECHNICAL QUESTIONS, PLEASE CALL
DFK AMERICA INC.
(630) 324-8585



28

LEFT REAR DOOR ASSEMBLIES

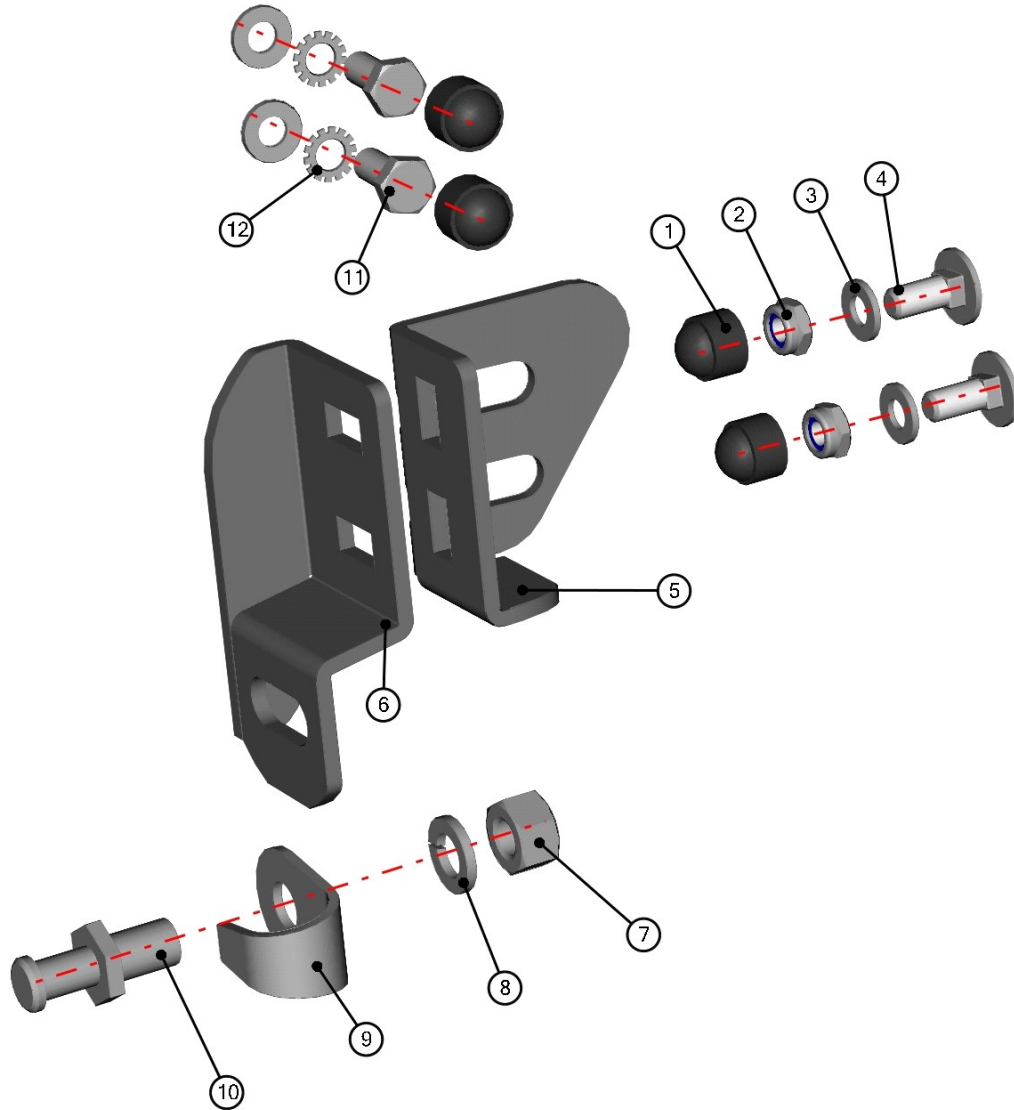
FOR ALL TECHNICAL QUESTIONS, PLEASE CALL
DFK AMERICA INC.
(630) 324-8585



| ID | Catalogue no. | Description | Qty |
|----|-----------------|--|-----|
| 1 | 52S03U02-40M002 | LEFT REAR DOOR ASSEMBLY | 1 |
| 2 | 52S03U02-40M004 | LEFT REAR DOOR STOP HOLDER ASSEMBLY | 1 |
| 3 | 52S03U02-40M005 | LEFT REAR DOOR BOTTOM FRAME HINGE ASSEMBLY | 1 |
| 4 | 52S03U01-40M012 | LEFT REAR DOOR UPPER FRAME HINGE ASSEMBLY | 1 |
| 5 | 52S03U02-40M007 | REAR DOOR GAS SPRING ASSEMBLY | 1 |

LEFT REAR DOOR STOP HOLDER ASSEMBLY

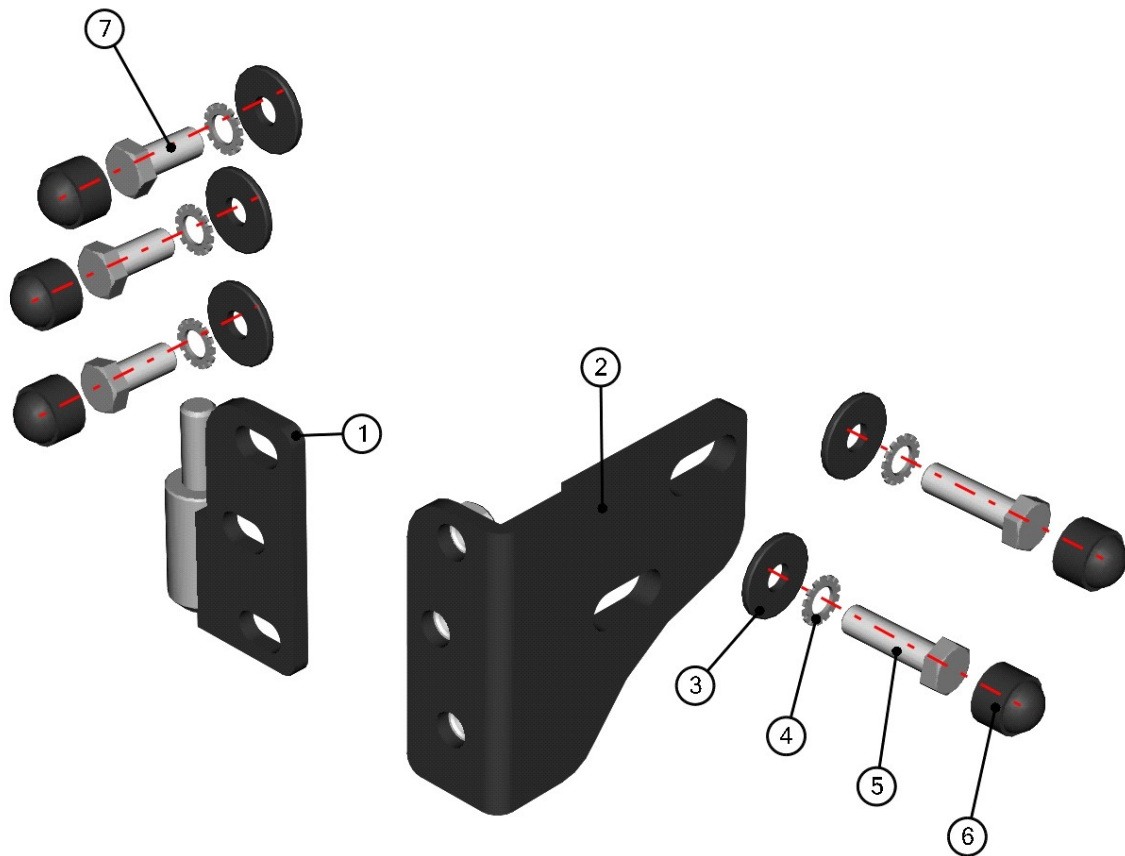
FOR ALL TECHNICAL QUESTIONS, PLEASE CALL
DFK AMERICA INC.
(630) 324-8585



| ID | Catalogue no. | Description | Qty |
|----|-----------------|------------------------------|-----|
| 1 | 001309 | PLASTIC NUT COVER OK 13 | 4 |
| 2 | 001388 | SELF-LOCKING NUT M8 | 2 |
| 3 | 001387 | WASHER 8 | 4 |
| 4 | 002575 | SCREW M8x20 | 2 |
| 5 | 52S03U02-40-010 | LEFT REAR DOOR STOP HOLDER 1 | 1 |
| 6 | 52S03U02-40-013 | LEFT REAR DOOR STOP HOLDER 2 | 1 |
| 7 | 000856 | DOOR STOP NUT | 1 |
| 8 | 000857 | DOOR STOP WASHER | 1 |
| 9 | 000855 | DOOR STOP HOOK | 1 |
| 10 | 000854 | DOOR STOP PIN | 1 |
| 11 | 001437 | SCREW M8x20 | 2 |
| 12 | 001489 | SERRATED LOCK WASHER 8 | 2 |

LEFT REAR DOOR BOTTOM FRAME HINGE ASSEMBLY

FOR ALL TECHNICAL QUESTIONS, PLEASE CALL
DFK AMERICA INC.
(630) 324-8585

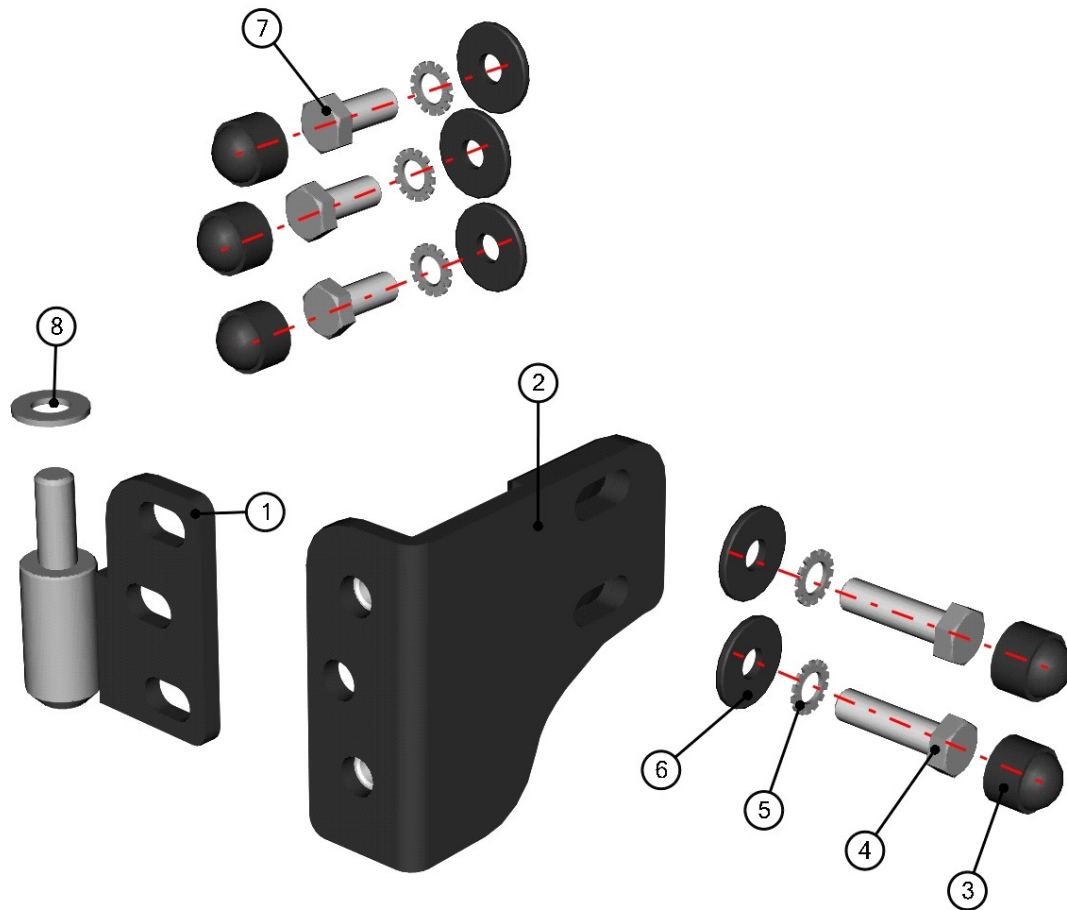


31

| ID | Catalogue no. | Description | Qty |
|----|-----------------|---|-----|
| 1 | 52S03U02-40W006 | LEFT REAR DOOR BOTTOM HINGE WELDED | 1 |
| 2 | 52S03U02-40W004 | LEFT REAR DOOR BOTTOM HINGE HOLDER WELDED | 1 |
| 3 | 003322 | RIVET WASHER 8 | 5 |
| 4 | 001489 | SERRATED LOCK WASHER 8 | 5 |
| 5 | 001411 | SCREW M8x30 | 2 |
| 6 | 001309 | PLASTIC NUT COVER OK 13 | 5 |
| 7 | 001437 | SCREW M8x20 | 3 |

LEFT REAR DOOR UPPER FRAME HINGE ASSEMBLY

FOR ALL TECHNICAL QUESTIONS, PLEASE CALL
DFK AMERICA INC.
(630) 324-8585

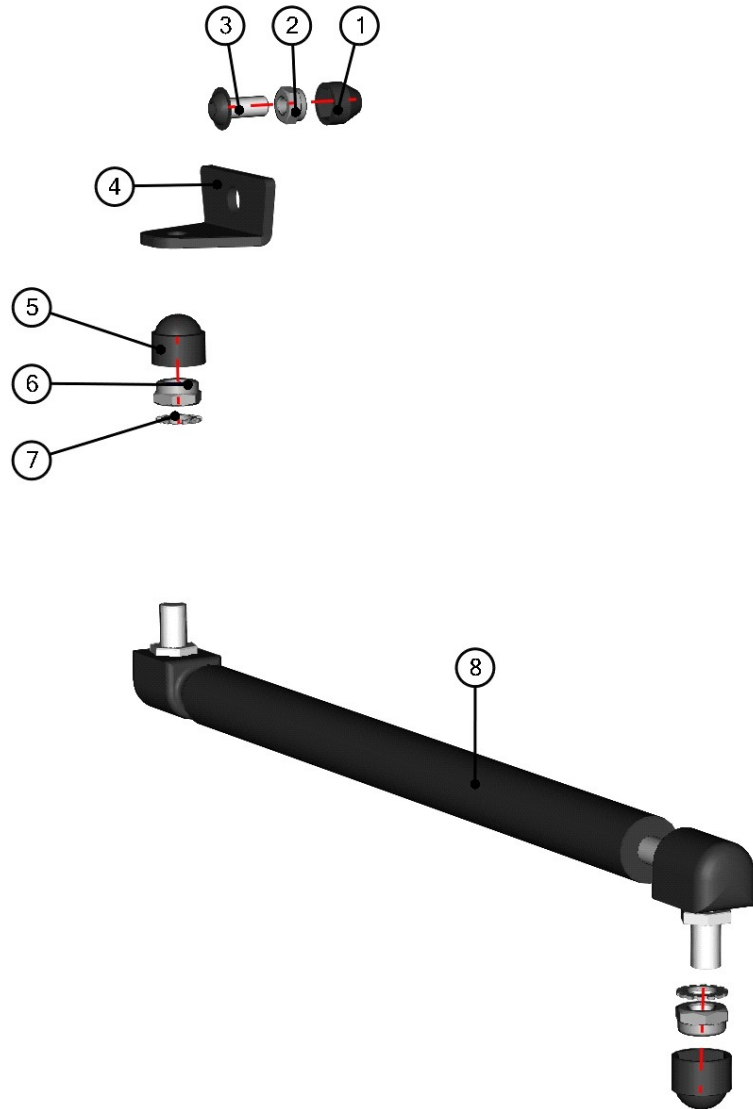


32

| ID | Catalogue no. | Description | Qty |
|----|-----------------|--|-----|
| 1 | 52S03U01-40W009 | LEFT REAR DOOR UPPER HINGE WELDED | 1 |
| 2 | 52S03U01-40W011 | LEFT REAR DOOR UPPER HINGE HOLDER WELDED | 1 |
| 3 | 001309 | PLASTIC NUT COVER OK 13 | 5 |
| 4 | 001411 | SCREW M8x30 | 2 |
| 5 | 001489 | SERRATED LOCK WASHER 8 | 5 |
| 6 | 003322 | RIVET WASHER 8 | 5 |
| 7 | 001437 | SCREW M8x20 | 3 |
| 8 | 004447 | WASHER 10 | 1 |

REAR DOOR GAS SPRING ASSEMBLY

FOR ALL TECHNICAL QUESTIONS, PLEASE CALL
DFK AMERICA INC.
(630) 324-8585

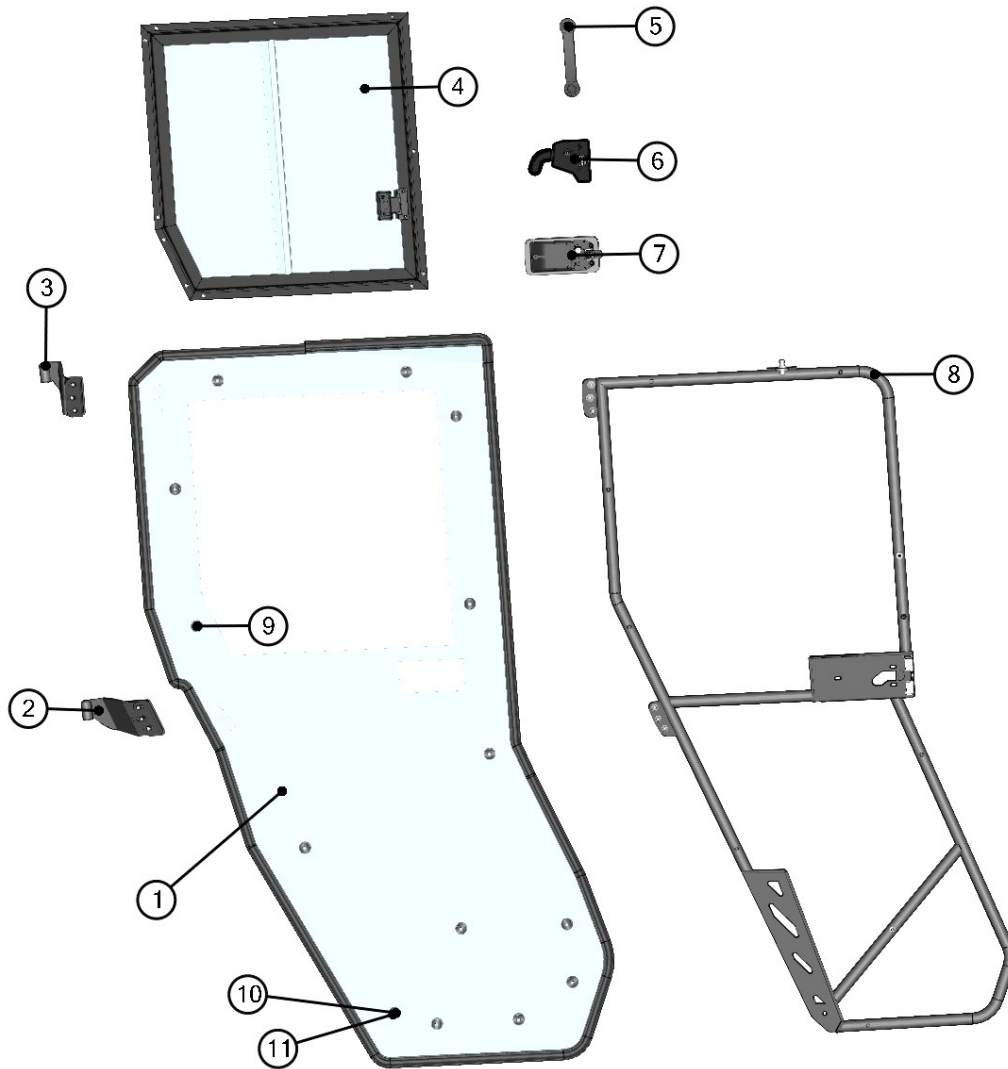


33

| ID | Catalogue no. | Description | Qty |
|----|-----------------|-------------------------|-----|
| 1 | 001348 | PLASTIC NUT COVER OK 10 | 1 |
| 2 | 001392 | SELF-LOCKING NUT M6 | 1 |
| 3 | 002971 | SCREW M6x15 | 1 |
| 4 | 52S03U01-50-031 | GAS SPRING HOLDER | 1 |
| 5 | 001309 | PLASTIC NUT COVER OK 13 | 2 |
| 6 | 001388 | SELF-LOCKING NUT M8 | 2 |
| 7 | 001489 | SERRATED LOCK WASHER 8 | 2 |
| 8 | 002494 | GAS SPRING | 1 |

LEFT REAR DOOR ASSEMBLY

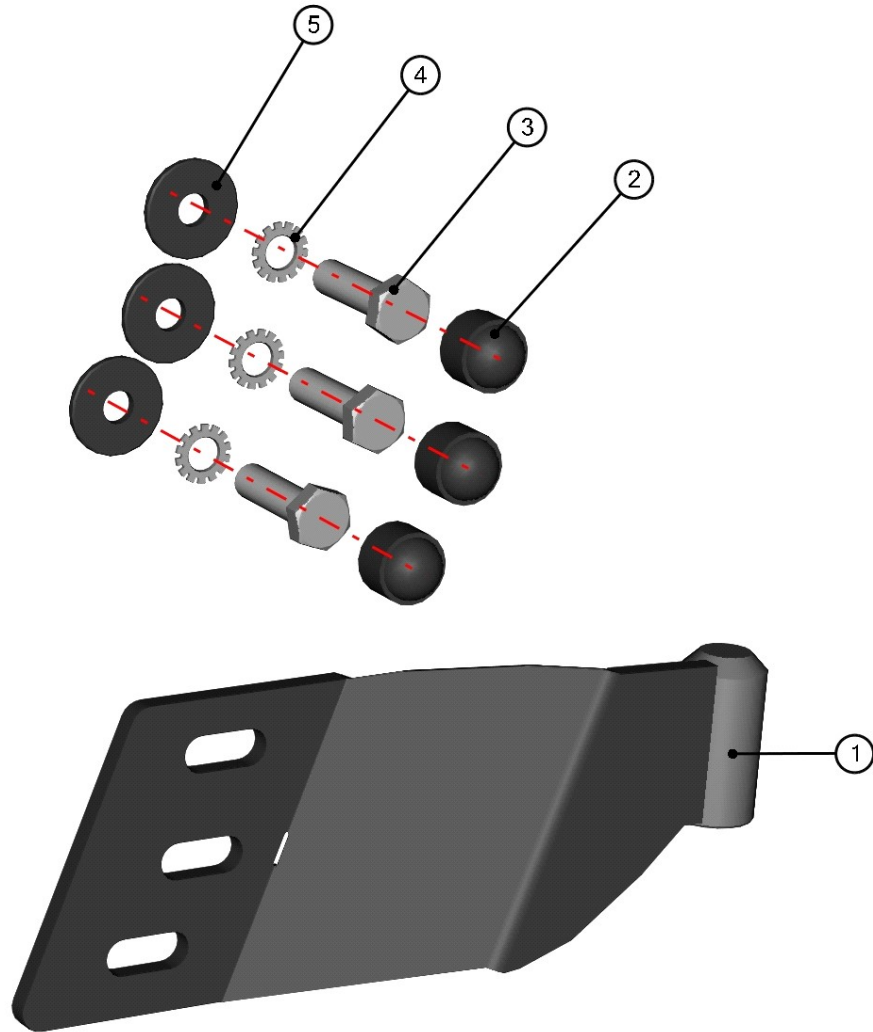
FOR ALL TECHNICAL QUESTIONS, PLEASE CALL
DFK AMERICA INC.
(630) 324-8585



| ID | Catalogue no. | Description | Qty |
|----|-----------------|---|-----|
| 1 | 52S03U02-40M001 | LEFR REAR DOOR POLYCARBONATE WITH SEALING | 1 |
| 2 | 52S03U01-40M005 | LEFT REAR DOOR BOTTOM HINGE ASSEMBLY | 1 |
| 3 | 52S03U01-40M007 | LEFT REAR DOOR UPPER HINGE ASSEMBLY | 1 |
| 4 | 52S03U02-40M003 | LEFT REAR DOOR WINDOW ASSEMBLY | 1 |
| 5 | 52S03U01-50M006 | DOOR HANDLE ASSEMBLY | 1 |
| 6 | 00-40M019 | INNER DOOR LOCK | 1 |
| 7 | 000841 | OUTER DOOR LOCK | 1 |
| 8 | 52S03U02-40W001 | LEFT REAR DOOR FRAME WELDED | 1 |
| 9 | 00-00M019 | POLYCARBONATE FIXING ASSEMBLY | 13 |
| 10 | 00-00M020 | FRAME FIXING ASSEMBLY 1 | 1 |
| 11 | 00-00M030 | FRAME FIXING ASSEMBLY 2 | 1 |

LEFT REAR DOOR BOTTOM HINGE ASSEMBLY

FOR ALL TECHNICAL QUESTIONS, PLEASE CALL
DFK AMERICA INC.
(630) 324-8585

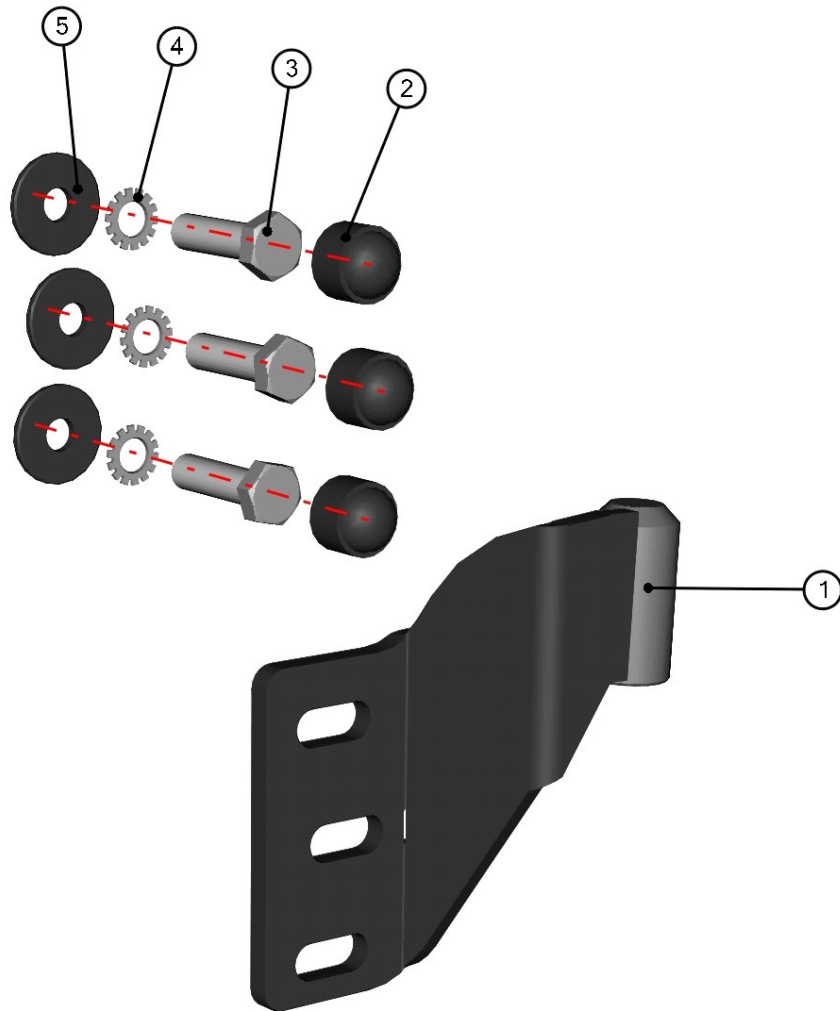


35

| ID | Catalogue no. | Description | Qty |
|----|-----------------|-----------------------------|-----|
| 1 | 52S03U01-40W006 | LEFT REAR DOOR HINGE WELDED | 1 |
| 2 | 001309 | PLASTIC NUT COVER OK 13 | 3 |
| 3 | 001411 | SCREW M8x30 | 3 |
| 4 | 001489 | SERRATED LOCK WASHER 8 | 3 |
| 5 | 003322 | RIVET WASHER 8 | 3 |

LEFT REAR DOOR UPPER HINGE ASSEMBLY

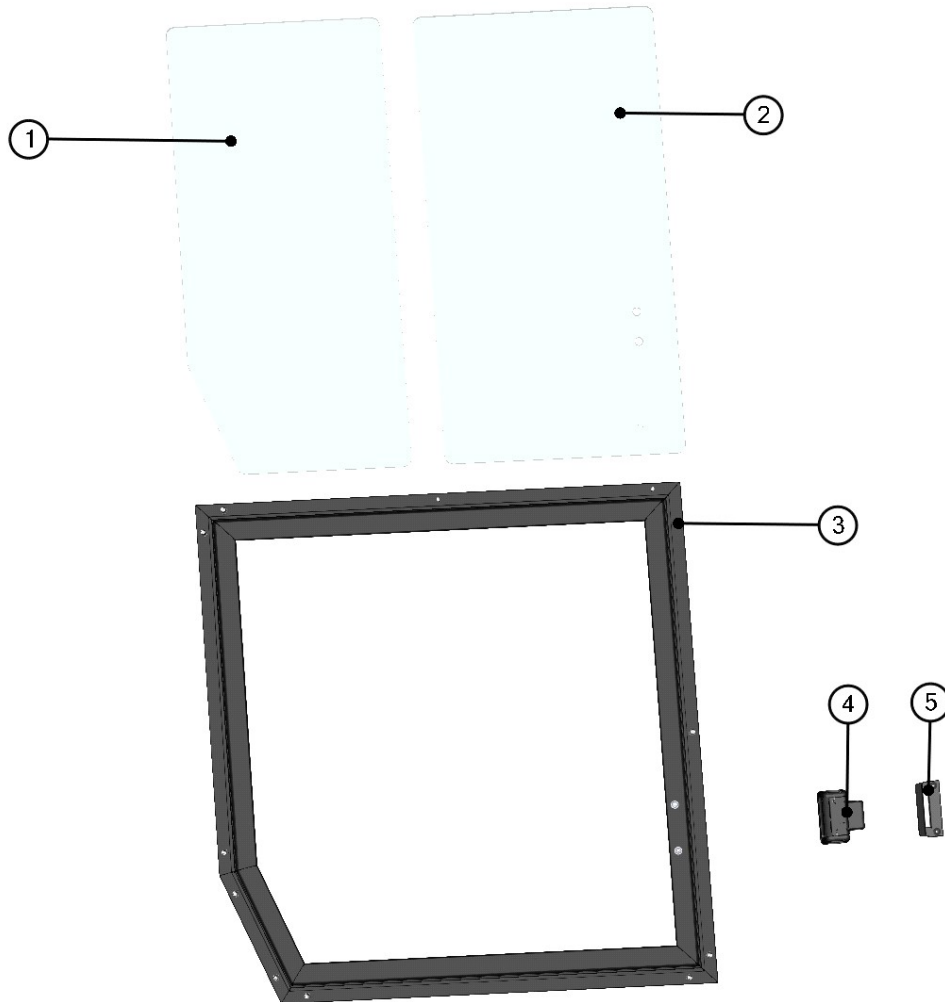
FOR ALL TECHNICAL QUESTIONS, PLEASE CALL
DFK AMERICA INC.
(630) 324-8585



| ID | Catalogue no. | Description | Qty |
|----|-----------------|-----------------------------------|-----|
| 1 | 52S03U01-40W005 | LEFT REAR DOOR UPPER HINGE WELDED | 1 |
| 2 | 001309 | PLASTIC NUT COVER OK 13 | 3 |
| 3 | 001411 | SCREW M8x30 | 3 |
| 4 | 001489 | SERRATED LOCK WASHER 8 | 3 |
| 5 | 003322 | RIVET WASHER 8 | 3 |

LEFT REAR DOOR WINDOW ASSEMBLY

FOR ALL TECHNICAL QUESTIONS, PLEASE CALL
DFK AMERICA INC.
(630) 324-8585

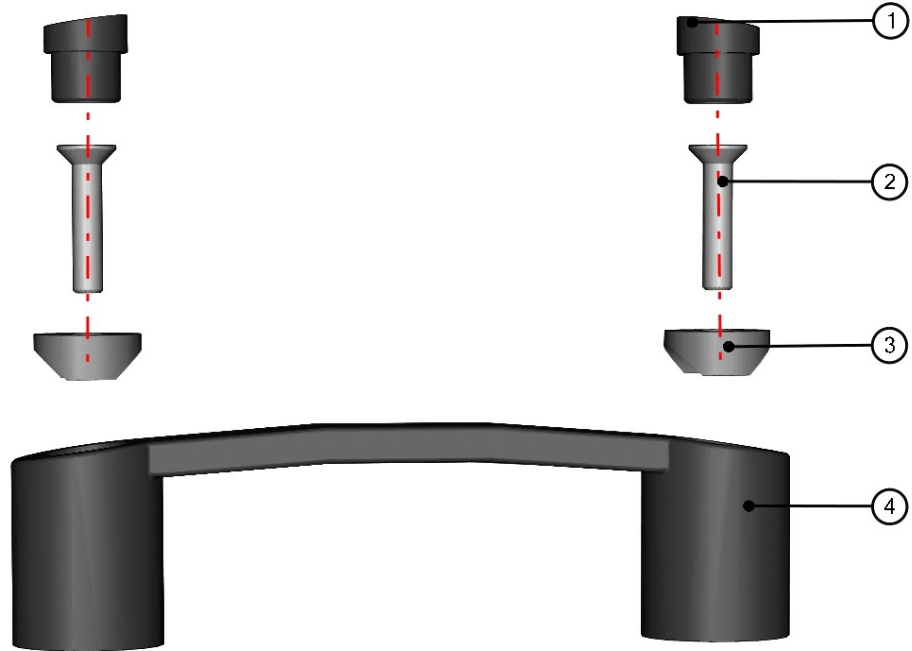


37

| ID | Catalogue no. | Description | Qty |
|----|-----------------|-----------------------------|-----|
| 1 | 52S03U02-40-011 | REAR DOOR WINDOW SOLID | 1 |
| 2 | 52S03U02-40-012 | REAR DOOR WINDOW MOVABLE | 1 |
| 3 | 52S03U02-40-007 | LEFT REAR DOOR WINDOW FRAME | 1 |
| 4 | 00-40M008 | WINDOW LOCK | 1 |
| 5 | 001762 | WINDOW STOP | 1 |

DOOR HANDLE ASSEMBLY

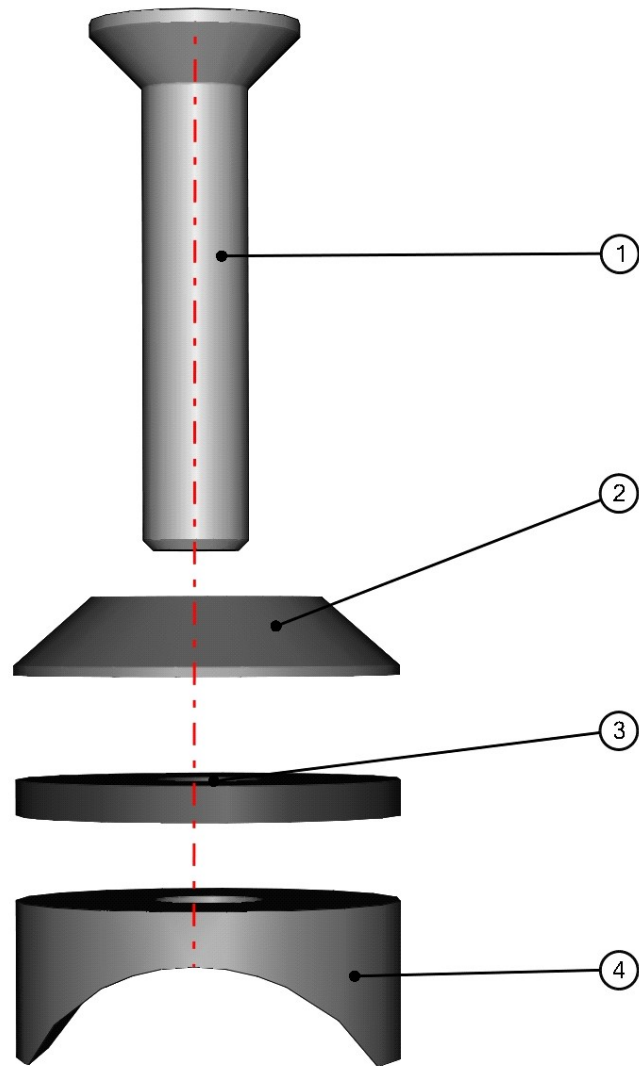
FOR ALL TECHNICAL QUESTIONS, PLEASE CALL
DFK AMERICA INC.
(630) 324-8585



| ID | Catalogue no. | Description | Qty |
|----|---------------|--------------------|-----|
| 1 | 001706 | HANDLE SCREW COVER | 2 |
| 2 | 001701 | SCREW M6x30 | 2 |
| 3 | 001736 | SADDLE WASHER | 2 |
| 4 | 001703 | HANDLE | 1 |

POLYCARBONATE FIXING ASSEMBLY

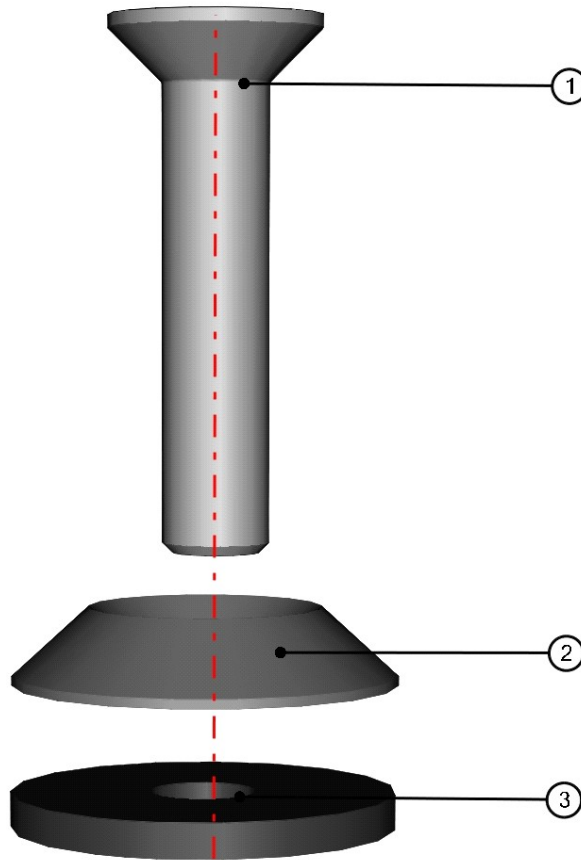
FOR ALL TECHNICAL QUESTIONS, PLEASE CALL
DFK AMERICA INC.
(630) 324-8585



| ID | Catalogue no. | Description | Qty |
|----|---------------|----------------|-----|
| 1 | 001701 | SCREW M6x30 | 1 |
| 2 | 001715 | PLASTIC WASHER | 1 |
| 3 | 001735 | RUBBER WASHER | 1 |
| 4 | 001736 | SADDLE WASHER | 1 |

FRAME FIXING ASSEMBLY 1

FOR ALL TECHNICAL QUESTIONS, PLEASE CALL
DFK AMERICA INC.
(630) 324-8585

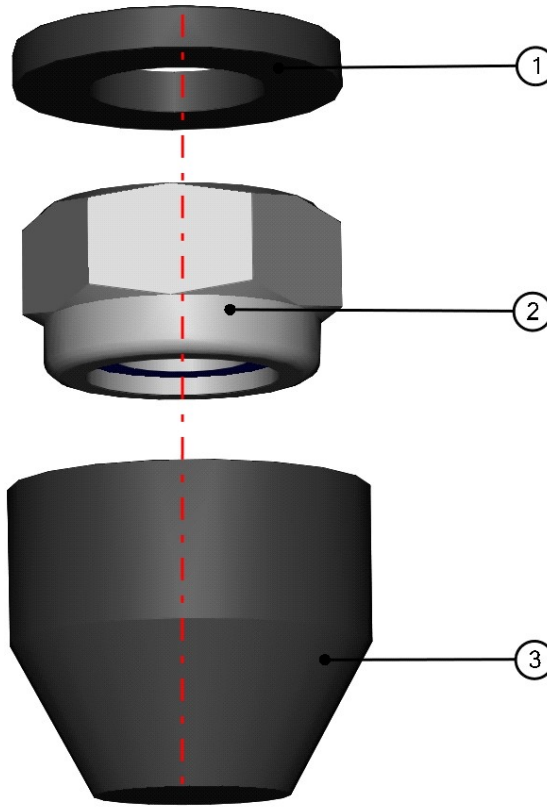


40

| ID | Catalogue no. | Description | Qty |
|----|---------------|----------------|-----|
| 1 | 001701 | SCREW M6x30 | 1 |
| 2 | 001715 | PLASTIC WASHER | 1 |
| 3 | 001735 | RUBBER WASHER | 1 |

FRAME FIXING ASSEMBLY 2

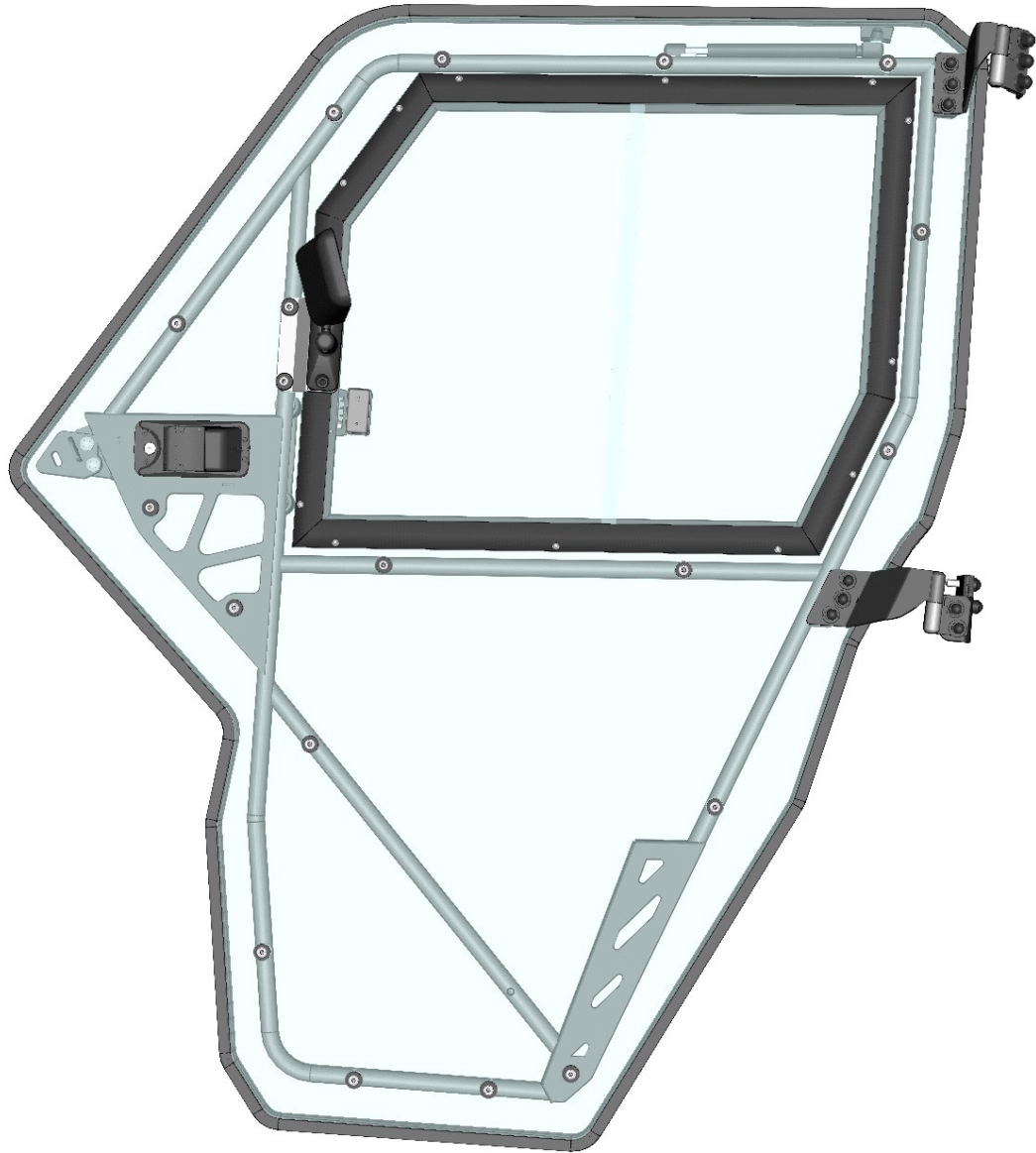
FOR ALL TECHNICAL QUESTIONS, PLEASE CALL
DFK AMERICA INC.
(630) 324-8585



| ID | Catalogue no. | Description | Qty |
|----|---------------|-------------------------|-----|
| 1 | 001426 | WASHER 6 | 1 |
| 2 | 001392 | SELF-LOCKING NUT M6 | 1 |
| 3 | 001348 | PLASTIC NUT COVER OK 10 | 1 |

LEFT FRONT DOOR

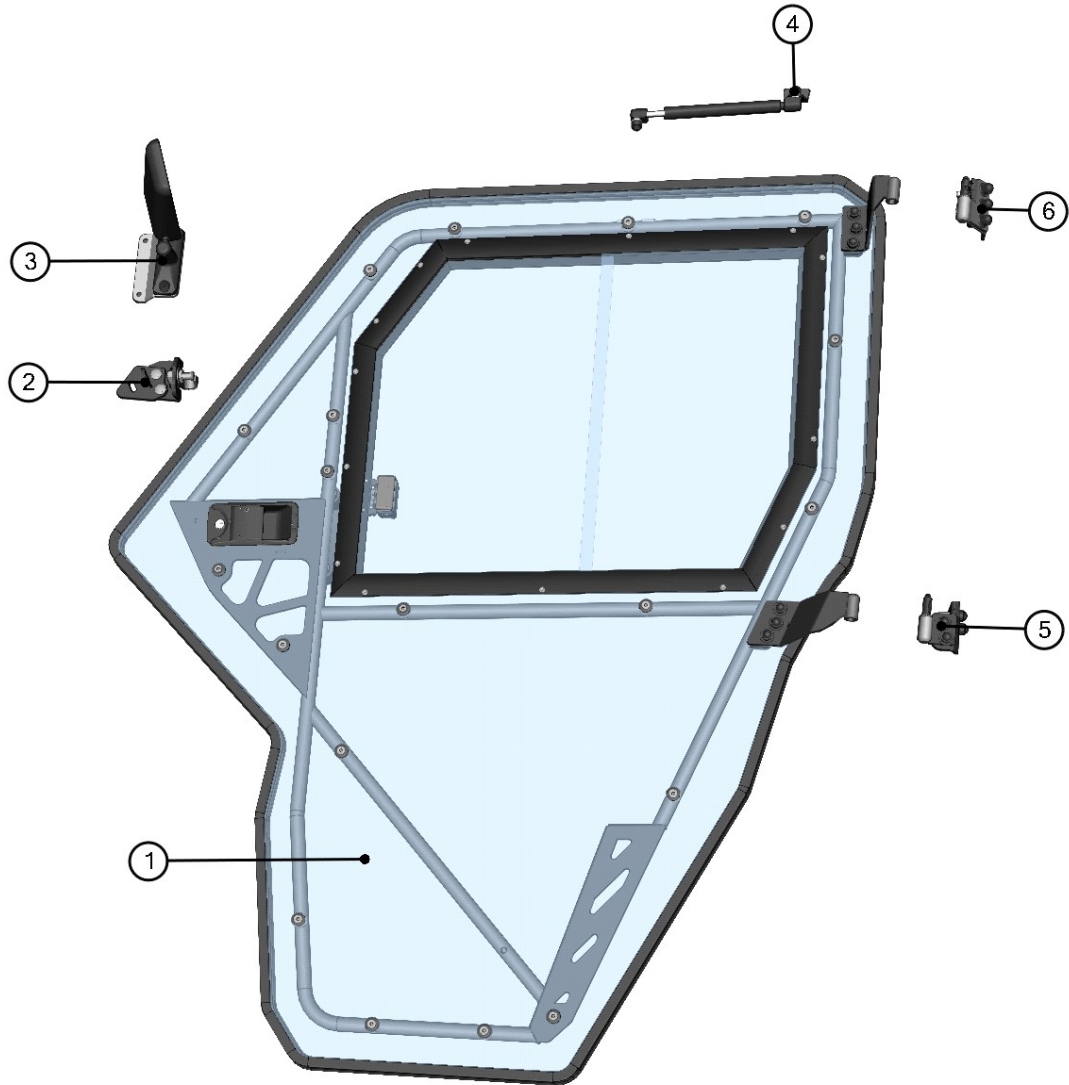
FOR ALL TECHNICAL QUESTIONS, PLEASE CALL
DFK AMERICA INC.
(630) 324-8585



42

LEFT FRONT DOOR ASSEMBLIES

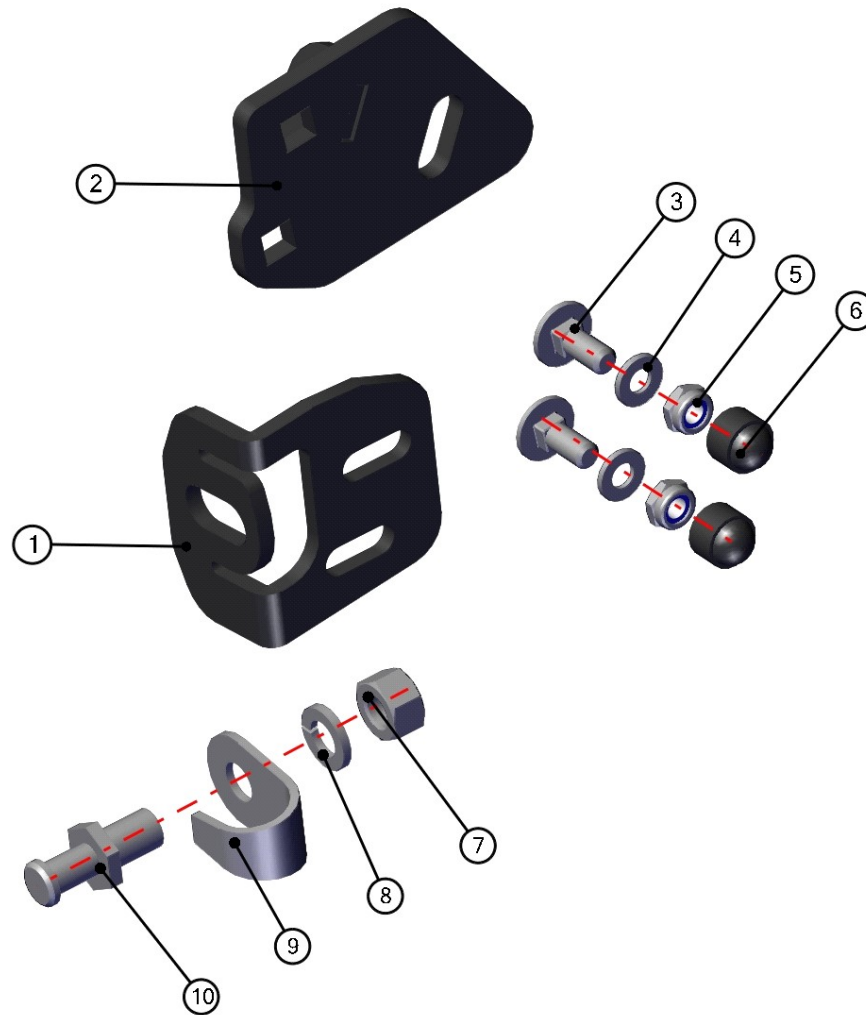
FOR ALL TECHNICAL QUESTIONS, PLEASE CALL
DFK AMERICA INC.
(630) 324-8585



| ID | Catalogue no. | Description | Qty |
|----|-----------------|---|-----|
| 1 | 52S03U01-40M002 | LEFT FRONT DOOR ASSEMBLY | 1 |
| 2 | 52S03U01-40M003 | LEFT FRONT DOOR STOP ASSEMBLY | 1 |
| 3 | 00-109U-M003 | LEFT REAR VIEW MIRROR ASSEMBLY | 1 |
| 4 | 52S03U01-50M010 | GAS SPRING ASSEMBLY | 1 |
| 5 | 52S03U02-40M008 | LEFT FRONT DOOR FRAME BOTTOM HINGE ASSEMBLY | 1 |
| 6 | 52S03U02-40M006 | LEFT FRONT DOOR FRAME UPPER HINGE ASSEMBLY | 1 |

LEFT FRONT DOOR STOP ASSEMBLY

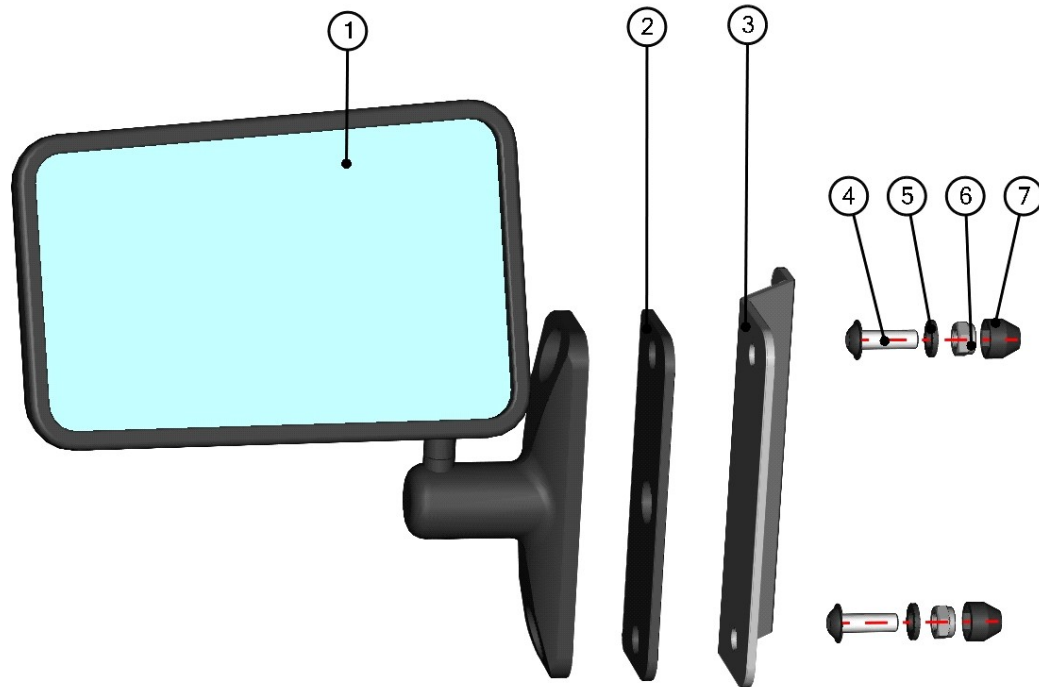
FOR ALL TECHNICAL QUESTIONS, PLEASE CALL
DFK AMERICA INC.
(630) 324-8585



| ID | Catalogue no. | Description | Qty |
|----|-----------------|--------------------------------------|-----|
| 1 | 52S03U01-50-011 | FRONT DOOR STOP HOLDER 1 | 1 |
| 2 | 52S03U01-50W007 | LEFT FRONT DOOR STOP HOLDER 2 WELDED | 1 |
| 3 | 002575 | SCREW M8x20 | 2 |
| 4 | 001387 | WASHER 8 | 2 |
| 5 | 001388 | SELF-LOCKING NUT M8 | 2 |
| 6 | 001309 | PLASTIC NUT COVER OK 13 | 2 |
| 7 | 000856 | DOOR STOP NUT | 1 |
| 8 | 000857 | DOOR STOP WASHER | 1 |
| 9 | 000855 | DOOR STOP HOOK | 1 |
| 10 | 000854 | DOOR STOP PIN | 1 |

LEFT REAR VIEW MIRROR ASSEMBLY

FOR ALL TECHNICAL QUESTIONS, PLEASE CALL
DFK AMERICA INC.
(630) 324-8585

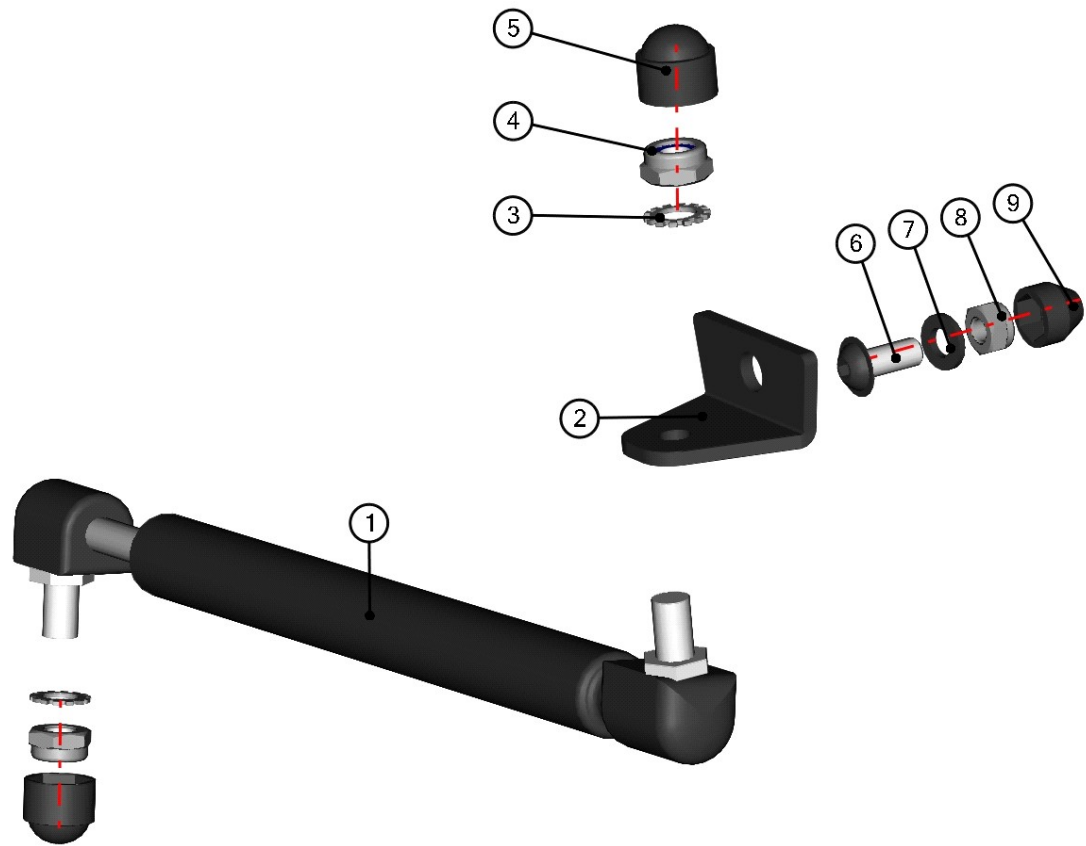


45

| ID | Catalogue no. | Description | Qty |
|----|---------------|-------------------------|-----|
| 1 | 002773 | LEFT REAR VIEW MIRROR | 1 |
| 2 | 00-109U-001 | REAR VIEW MIRROR WASHER | 1 |
| 3 | 00-109U-002 | REAR VIEW MIRROR HOLDER | 1 |
| 4 | 001723 | SCREW M6x20 | 2 |
| 5 | 001426 | WASHER 6 | 2 |
| 6 | 001392 | SELF-LOCKING NUT M6 | 2 |
| 7 | 001348 | PLASTIC NUT COVER OK 10 | 2 |

GAS SPRING ASSEMBLY

FOR ALL TECHNICAL QUESTIONS, PLEASE CALL
DFK AMERICA INC.
(630) 324-8585

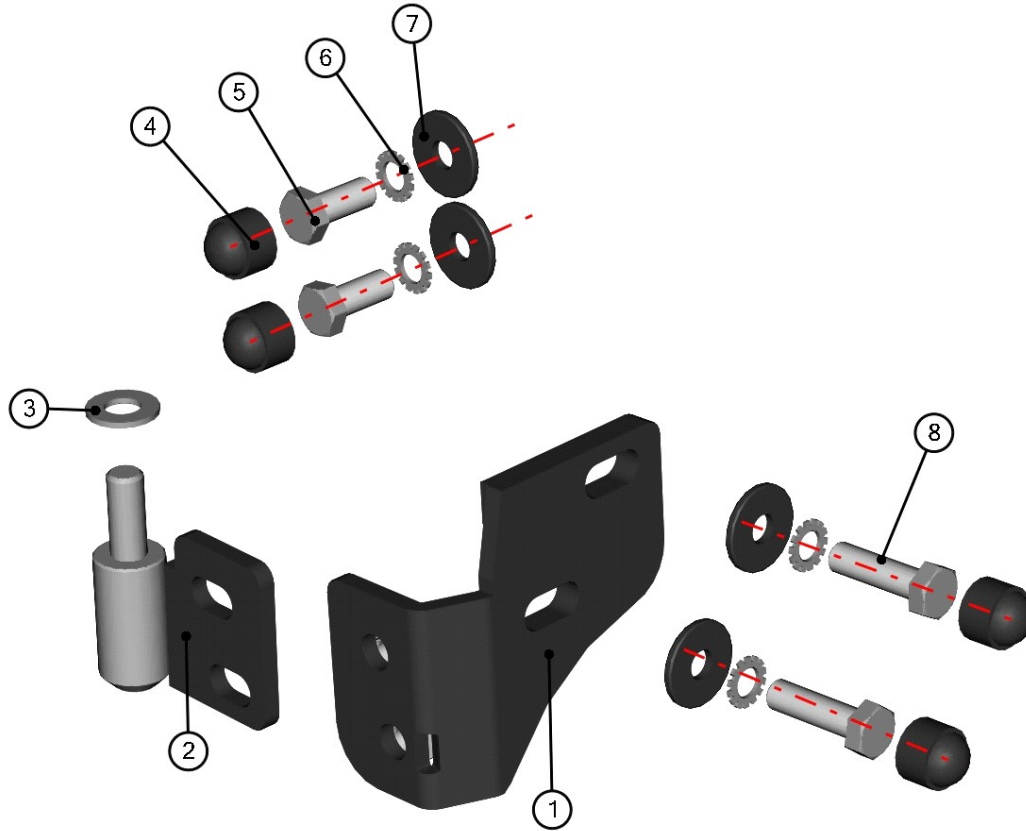


46

| ID | Catalogue no. | Description | Qty |
|----|-----------------|-------------------------|-----|
| 1 | 000865 | GAS SPRING | 1 |
| 2 | 52S03U01-50-031 | GAS SPRING HOLDER | 1 |
| 3 | 001489 | SERRATED LOCK WASHER 8 | 2 |
| 4 | 001388 | SELF-LOCKING NUT M8 | 2 |
| 5 | 001309 | PLASTIC NUT COVER OK 13 | 2 |
| 6 | 002971 | SCREW M6x15 | 1 |
| 7 | 001426 | WASHER 6 | 1 |
| 8 | 001392 | SELF-LOCKING NUT M6 | 1 |
| 9 | 001348 | PLASTIC NUT COVER OK 10 | 1 |

LEFT FRONT DOOR FRAME BOTTOM HINGE ASSEMBLY

FOR ALL TECHNICAL QUESTIONS, PLEASE CALL
DFK AMERICA INC.
(630) 324-8585

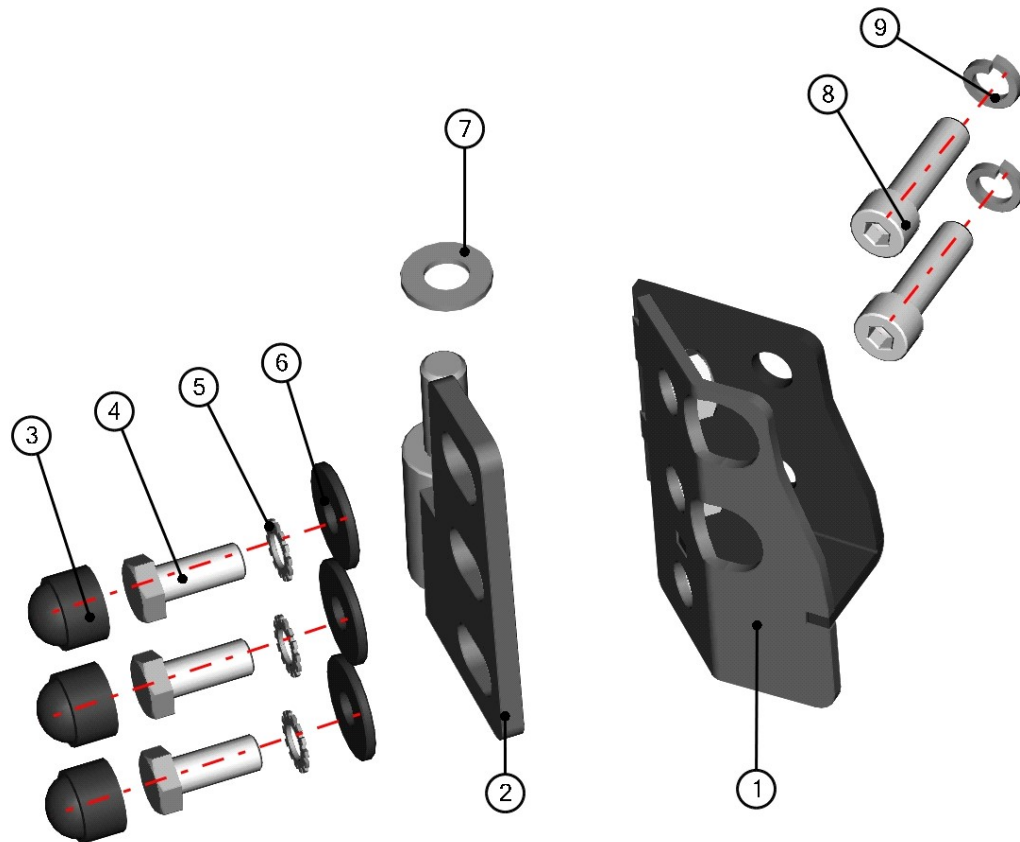


47

| ID | Catalogue no. | Description | Qty |
|----|-----------------|--|-----|
| 1 | 52S03U02-40W010 | LEFT FRONT DOOR BOTTOM HINGE HOLDER WELDED | 1 |
| 2 | 52S03U02-40W011 | LEFT FRONT DOOR BOTTOM HINGE WELDED | 1 |
| 3 | 004447 | WASHER 10 | 1 |
| 4 | 001309 | PLASTIC NUT COVER OK 13 | 4 |
| 5 | 001437 | SCREW M8x20 | 2 |
| 6 | 001489 | SERRATED LOCK WASHER 8 | 4 |
| 7 | 003322 | RIVET WASHER 8 | 4 |
| 8 | 001411 | SCREW M8x30 | 2 |

LEFT FRONT DOOR FRAME UPPER HINGE ASSEMBLY

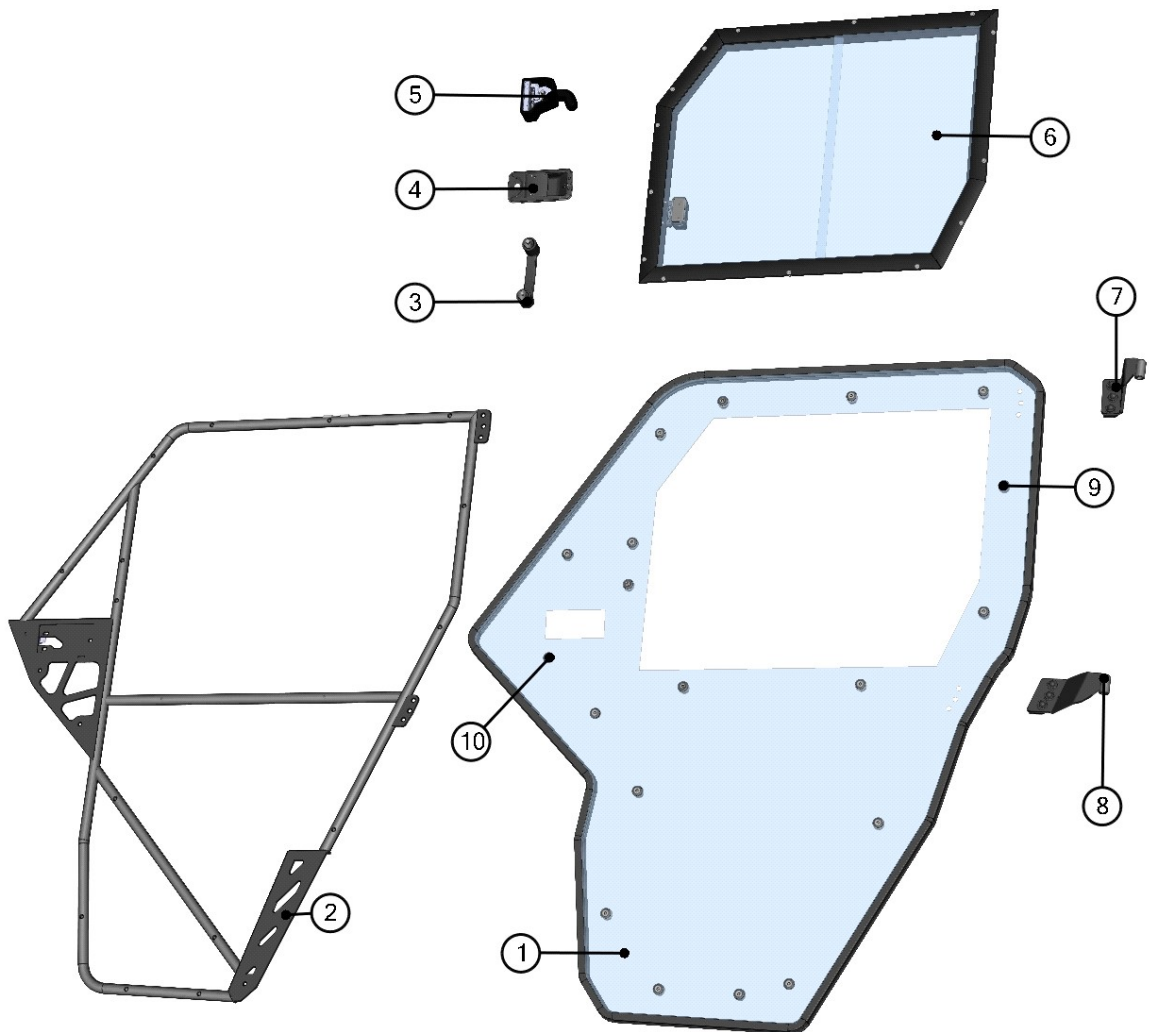
FOR ALL TECHNICAL QUESTIONS, PLEASE CALL
DFK AMERICA INC.
(630) 324-8585



| ID | Catalogue no. | Description | Qty |
|----|-----------------|---|-----|
| 1 | 52S03U02-40W003 | LEFT FRONT DOOR UPPER HINGE HOLDER WELDED | 1 |
| 2 | 52S03U02-40W007 | LEFT FRONT DOOR HINGE WELDED | 1 |
| 3 | 001309 | PLASTIC NUT COVER OK 13 | 3 |
| 4 | 001437 | SCREW M8x20 | 3 |
| 5 | 001489 | SERRATED LOCK WASHER 8 | 3 |
| 6 | 003322 | RIVET WASHER 8 | 3 |
| 7 | 004447 | WASHER 10 | 1 |
| 8 | 002656 | IMBUS SCREW M8x30 | 2 |
| 9 | 001492 | SPRING WASHER 8 | 2 |

LEFT FRONT DOOR ASSEMBLY

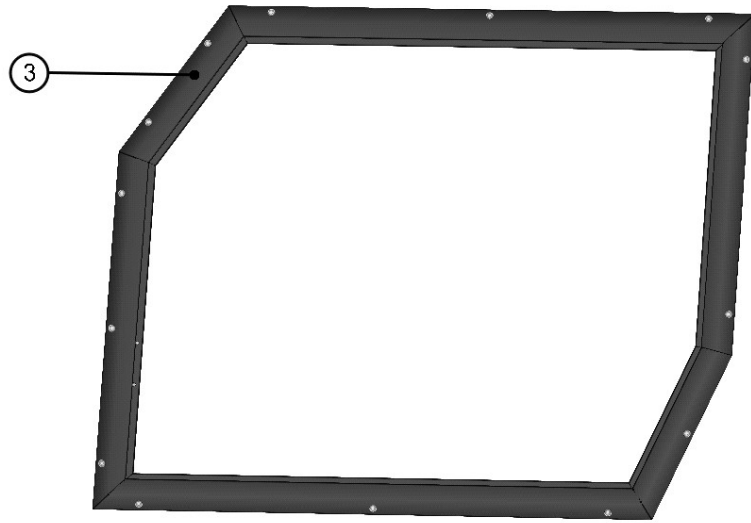
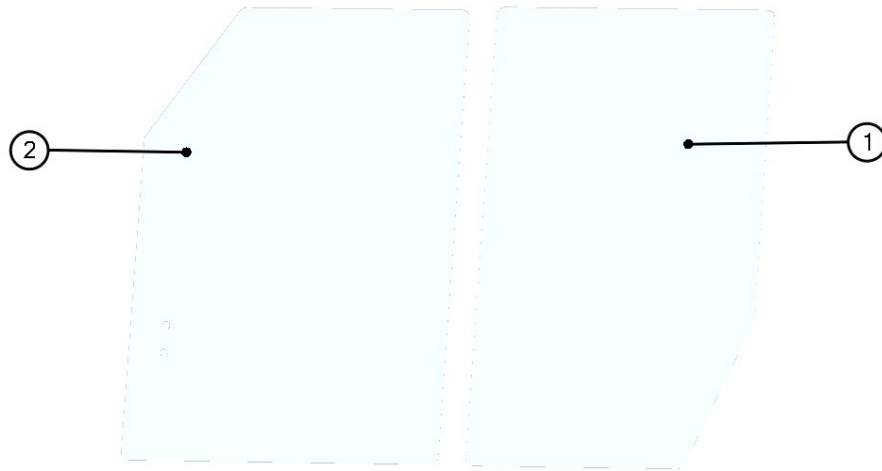
FOR ALL TECHNICAL QUESTIONS, PLEASE CALL
DFK AMERICA INC.
(630) 324-8585



| ID | Catalogue no. | Description | Qty |
|----|-----------------|--|-----|
| 1 | 52S03U01-40M001 | LEFT FRONT DOOR POLYCARBONATE WITH SEALING | 1 |
| 2 | 52S03U01-40W001 | LEFT FRONT DOOR FRAME | 1 |
| 3 | 52S03U01-50M006 | DOOR HANDLE ASSEMBLY | 1 |
| 4 | 000841 | OUTER DOOR LOCK | 1 |
| 5 | 00-40M019 | INNER DOOR LOCK | 1 |
| 6 | 52S03U01-50M004 | LEFT FRONT DOOR WINDOW ASSEMBLY | 1 |
| 7 | 52S03U01-40M007 | LEFT FRONT DOOR UPPER HINGE ASSEMBLY | 1 |
| 8 | 52S03U01-40M005 | LEFT FRONT DOOR BOTTOM HINGE ASSEMBLY | 1 |
| 9 | 00-00M019 | POLYCARBONATE FIXING ASSEMBLY | 16 |
| 10 | 00-00M020 | FRAME FIXING ASSEMBLY | 3 |

LEFT FRONT DOOR WINDOW ASSEMBLY

FOR ALL TECHNICAL QUESTIONS, PLEASE CALL
DFK AMERICA INC.
(630) 324-8585

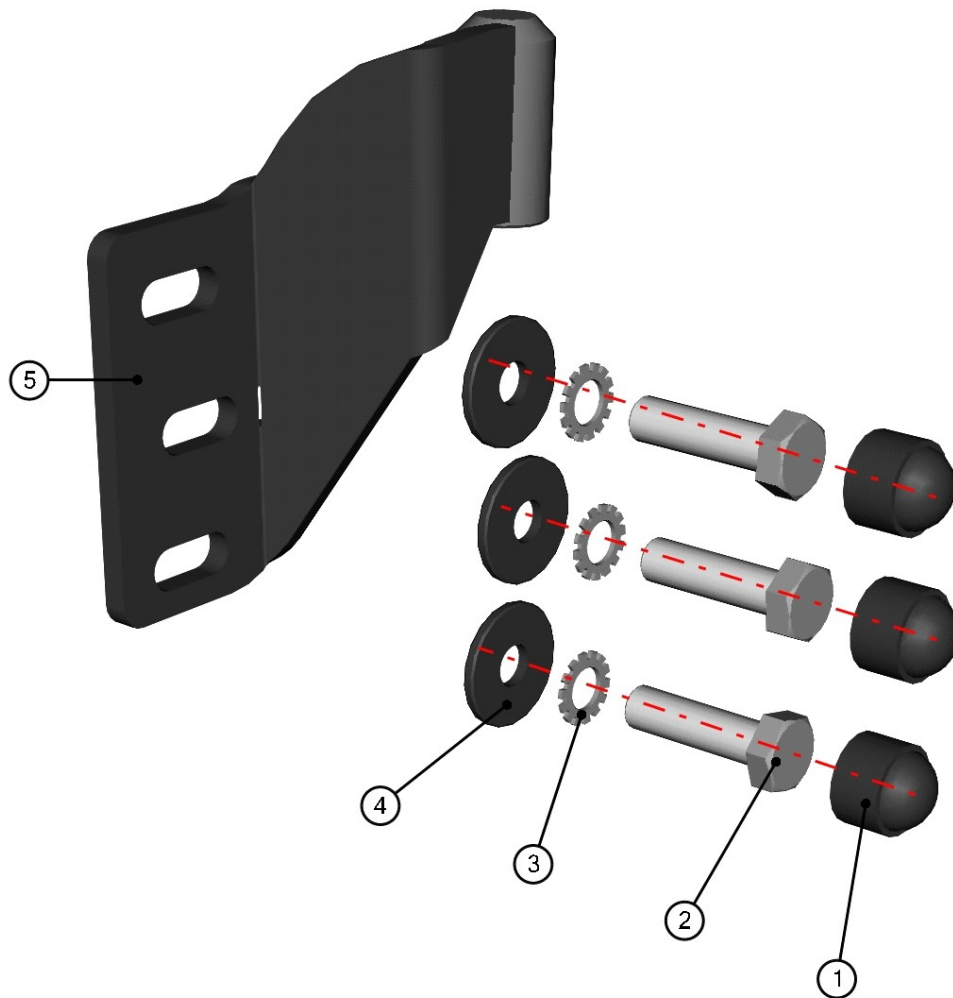


50

| ID | Catalogue no. | Description | Qty |
|----|-----------------|----------------------------|-----|
| 1 | 52S03U01-50-015 | FRONT WINDOW GLASS SOLID | 1 |
| 2 | 52S03U01-50-016 | FRONT WINDOW GLASS MOVABLE | 1 |
| 3 | 52S03U01-50-014 | LEFT FRONT WINDOW FRAME | 1 |
| 4 | 001762 | WINDOW STOP | 1 |
| 5 | 00-40M008 | WINDOW LOCK | 1 |

LEFT FRONT DOOR UPPER HINGE ASSEMBLY

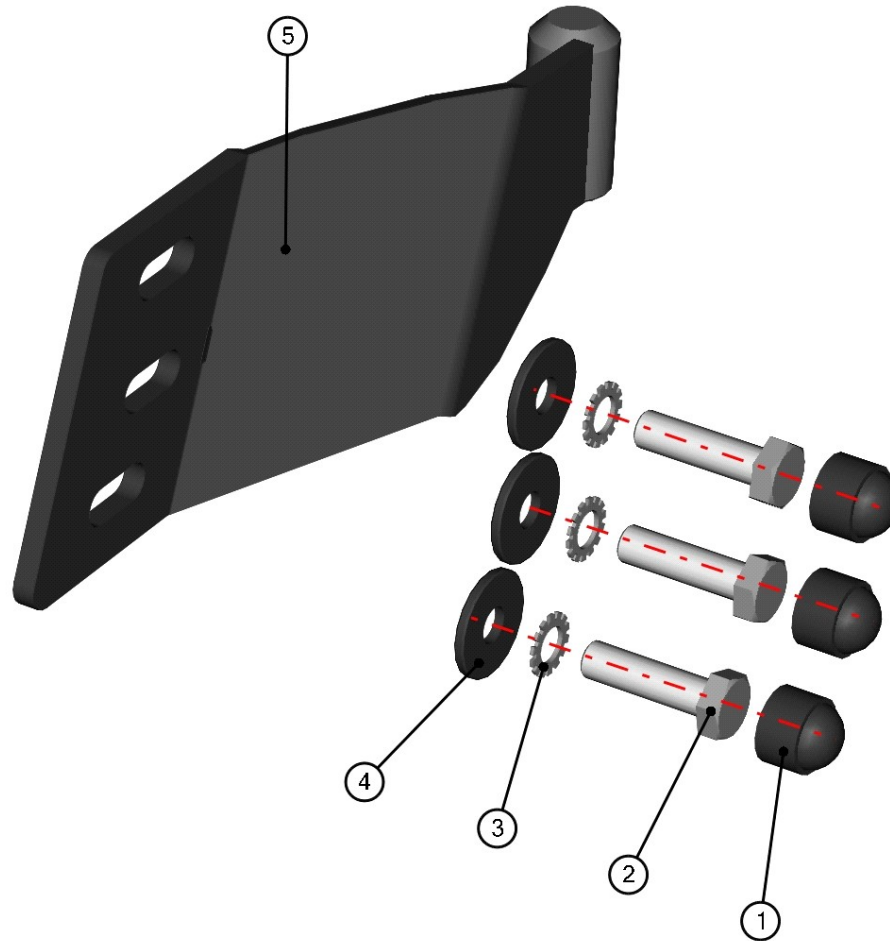
FOR ALL TECHNICAL QUESTIONS, PLEASE CALL
DFK AMERICA INC.
(630) 324-8585



| ID | Catalogue no. | Description | Qty |
|----|-----------------|------------------------------------|-----|
| 1 | 001309 | PLASTIC NUT COVER OK 13 | 3 |
| 2 | 001411 | SCREW M8x30 | 3 |
| 3 | 001489 | SERRATED LOCK WASHER 8 | 3 |
| 4 | 003322 | RIVET WASHER 8 | 3 |
| 5 | 52S03U01-40W005 | LEFT FRONT DOOR UPPER HINGE WELDED | 1 |

LEFT FRONT DOOR BOTTOM HINGE ASSEMBLY

FOR ALL TECHNICAL QUESTIONS, PLEASE CALL
DFK AMERICA INC.
(630) 324-8585

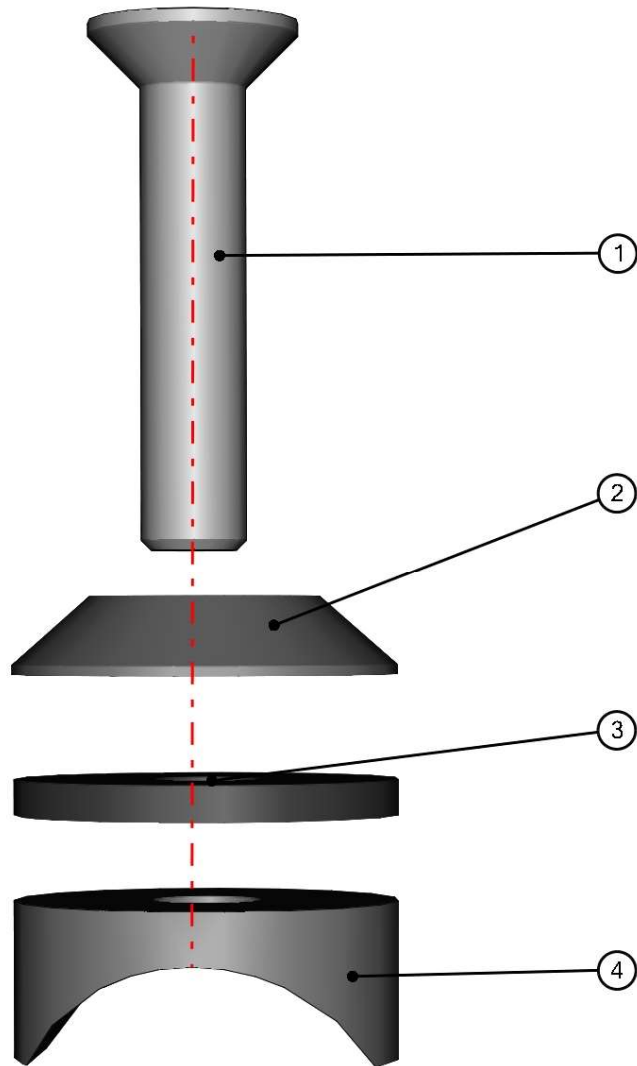


52

| ID | Catalogue no. | Description | Qty |
|----|-----------------|-------------------------------------|-----|
| 1 | 001309 | PLASTIC NUT COVER OK 13 | 3 |
| 2 | 001411 | SCREW M8x30 | 3 |
| 3 | 001489 | SERRATED LOCK WASHER 8 | 3 |
| 4 | 003322 | RIVET WASHER 8 | 3 |
| 5 | 52S03U01-40W006 | LEFT FRONT DOOR BOTTOM HINGE WELDED | 1 |

POLYCARBONATE FIXING ASSEMBLY

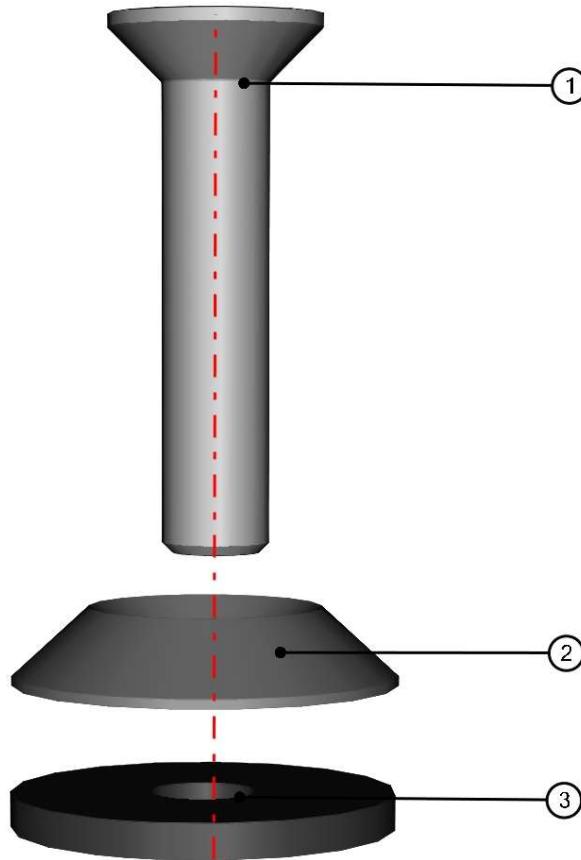
FOR ALL TECHNICAL QUESTIONS, PLEASE CALL
DFK AMERICA INC.
(630) 324-8585



| ID | Catalogue no. | Description | Qty |
|----|---------------|----------------|-----|
| 1 | 001701 | SCREW M6x30 | 1 |
| 2 | 001715 | PLASTIC WASHER | 1 |
| 3 | 001735 | RUBBER WASHER | 1 |
| 4 | 001736 | SADDLE WASHER | 1 |

FRAME FIXING ASSEMBLY

FOR ALL TECHNICAL QUESTIONS, PLEASE CALL
DFK AMERICA INC.
(630) 324-8585

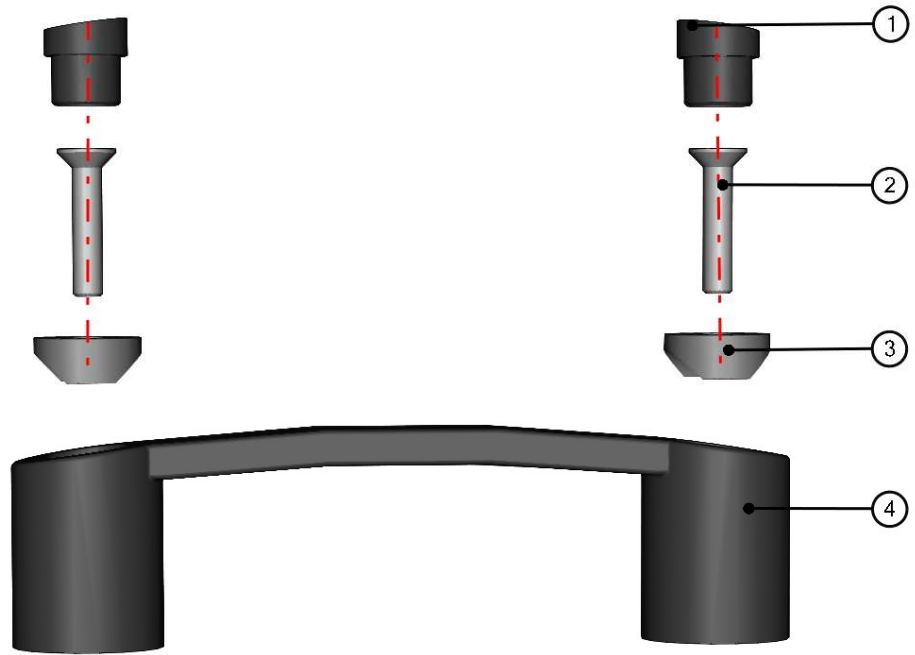


54

| ID | Catalogue no. | Description | Qty |
|----|---------------|----------------|-----|
| 1 | 001701 | SCREW M6x30 | 1 |
| 2 | 001715 | PLASTIC WASHER | 1 |
| 3 | 001735 | RUBBER WASHER | 1 |

DOOR HANDLE ASSEMBLY

FOR ALL TECHNICAL QUESTIONS, PLEASE CALL
DFK AMERICA INC.
(630) 324-8585



55

| ID | Catalogue no. | Description | Qty |
|----|---------------|--------------------|-----|
| 1 | 001706 | HANDLE SCREW COVER | 2 |
| 2 | 001701 | SCREW M6x30 | 2 |
| 3 | 001736 | SADDLE WASHER | 2 |
| 4 | 001703 | HANDLE | 1 |

RIGHT REAR DOOR

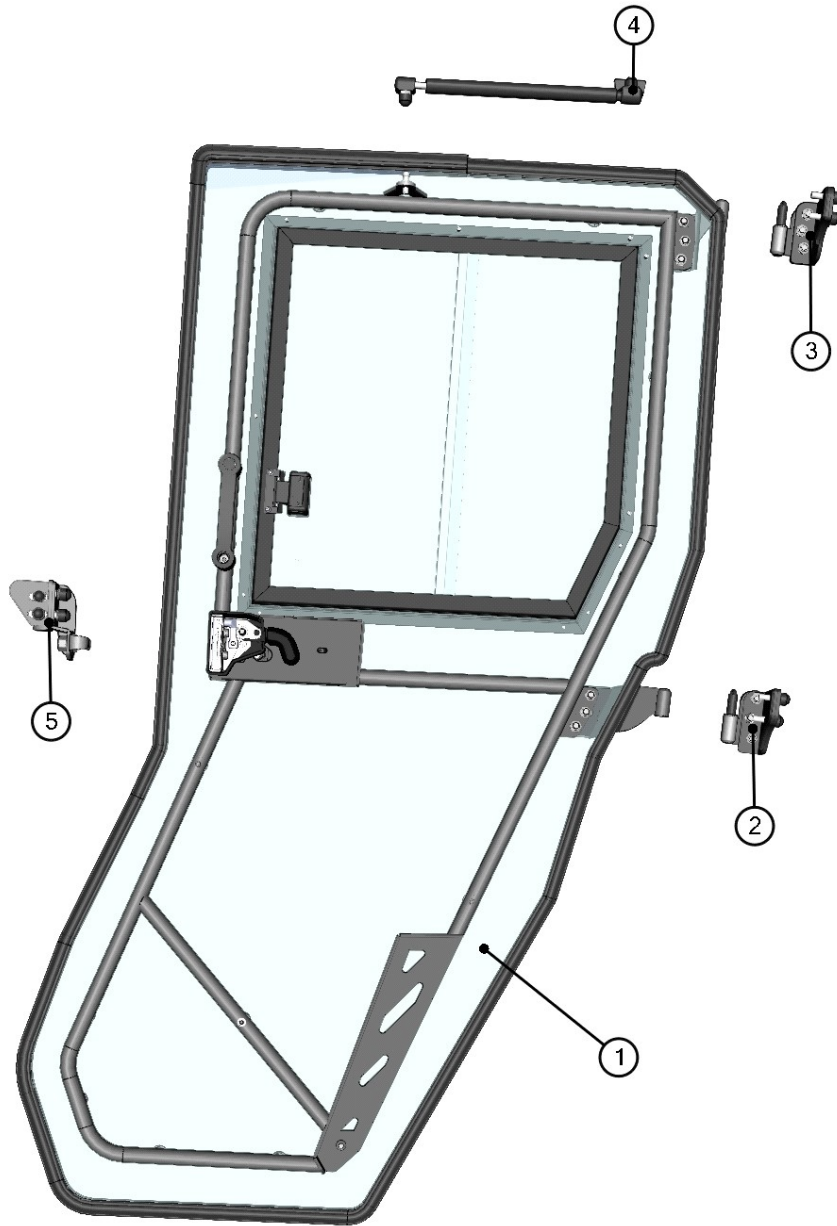
FOR ALL TECHNICAL QUESTIONS, PLEASE CALL
DFK AMERICA INC.
(630) 324-8585



56

RIGHT REAR DOOR ASSEMBLIES

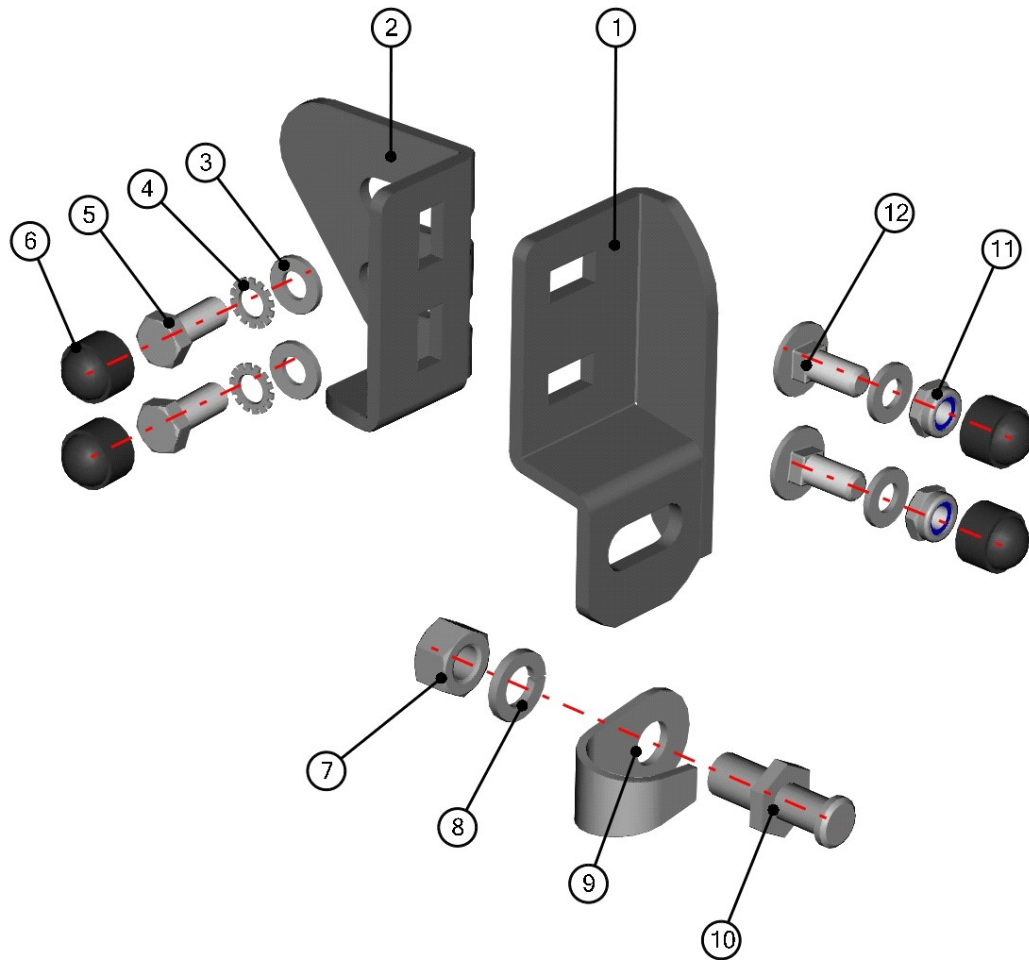
FOR ALL TECHNICAL QUESTIONS, PLEASE CALL
DFK AMERICA INC.
(630) 324-8585



| ID | Catalogue no. | Description | Qty |
|----|-----------------|---------------------------------------|-----|
| 1 | 52S03U02-50M002 | RIGHT REAR DOOR ASSEMBLY | 1 |
| 2 | 52S03U02-50M005 | RIGHT REAR DOOR BOTTOM HINGE ASSEMBLY | 1 |
| 3 | 52S03U01-50M012 | RIGHT REAR DOOR UPPER HINGE ASSEMBLY | 1 |
| 4 | 52S03U02-50M007 | REAR DOOR GAS SPRING ASSEMBLY | 1 |
| 5 | 52S03U02-50M004 | RIGHT REAR DOOR STOP HOLDER ASSEMBLY | 1 |

RIGHT REAR DOOR STOP HOLDER ASSEMBLY

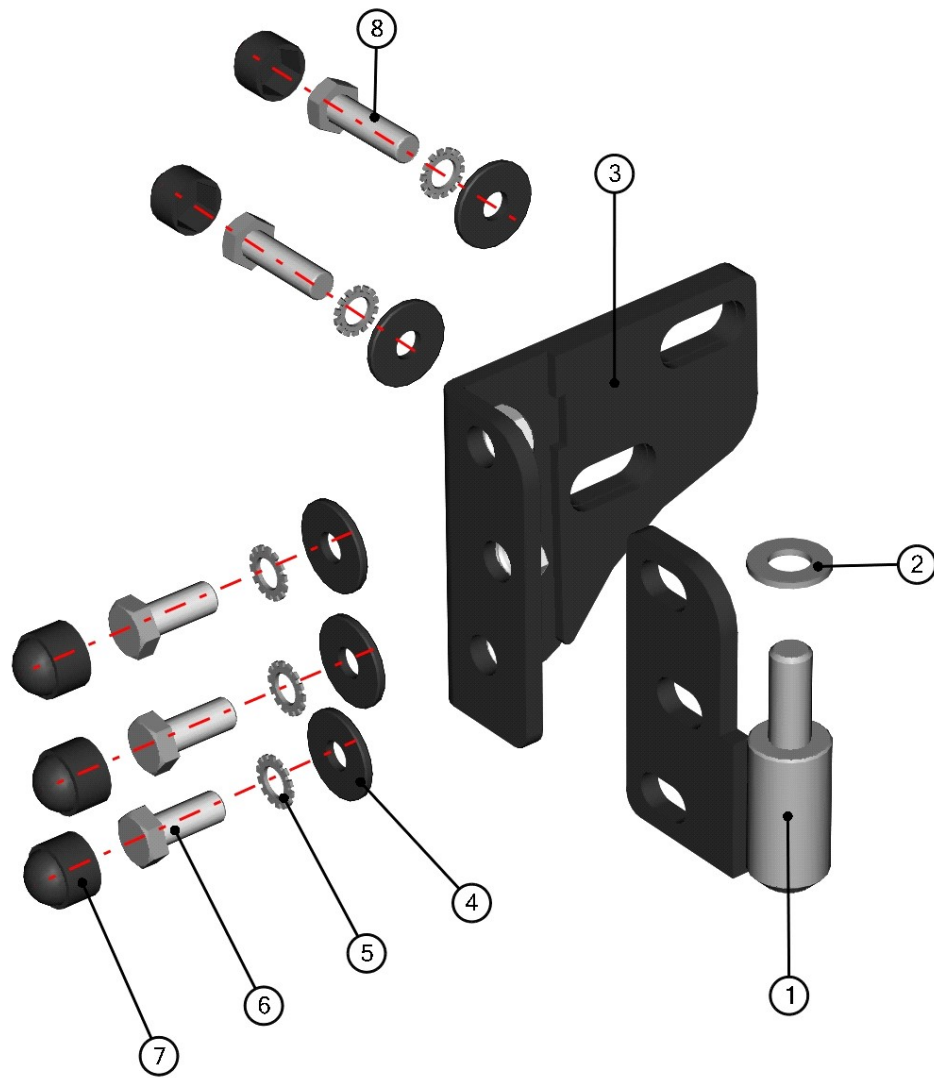
FOR ALL TECHNICAL QUESTIONS, PLEASE CALL
DFK AMERICA INC.
(630) 324-8585



| ID | Catalogue no. | Description | Qty |
|----|-----------------|-------------------------------|-----|
| 1 | 52S03U02-50-013 | RIGHT REAR DOOR STOP HOLDER 1 | 1 |
| 2 | 52S03U02-50-010 | RIGHT REAR DOOR STOP HOLDER 2 | 1 |
| 3 | 001387 | WASHER 8 | 4 |
| 4 | 001489 | SERRATED LOCK WASHER 8 | 2 |
| 5 | 001437 | SCREW M8x20 | 2 |
| 6 | 001309 | PLASTIC NUT COVER OK 13 | 4 |
| 7 | 000856 | DOOR STOP NUT | 1 |
| 8 | 000857 | DOOR STOP WASHER | 1 |
| 9 | 000855 | DOOR STOP HOOK | 1 |
| 10 | 000854 | DOOR STOP PIN | 1 |
| 11 | 001388 | SELF-LOCKING NUT M8 | 2 |
| 12 | 002575 | SCREW M8x20 | 2 |

RIGHT REAR DOOR BOTTOM FRAME HINGE ASSEMBLY

FOR ALL TECHNICAL QUESTIONS, PLEASE CALL
DFK AMERICA INC.
(630) 324-8585

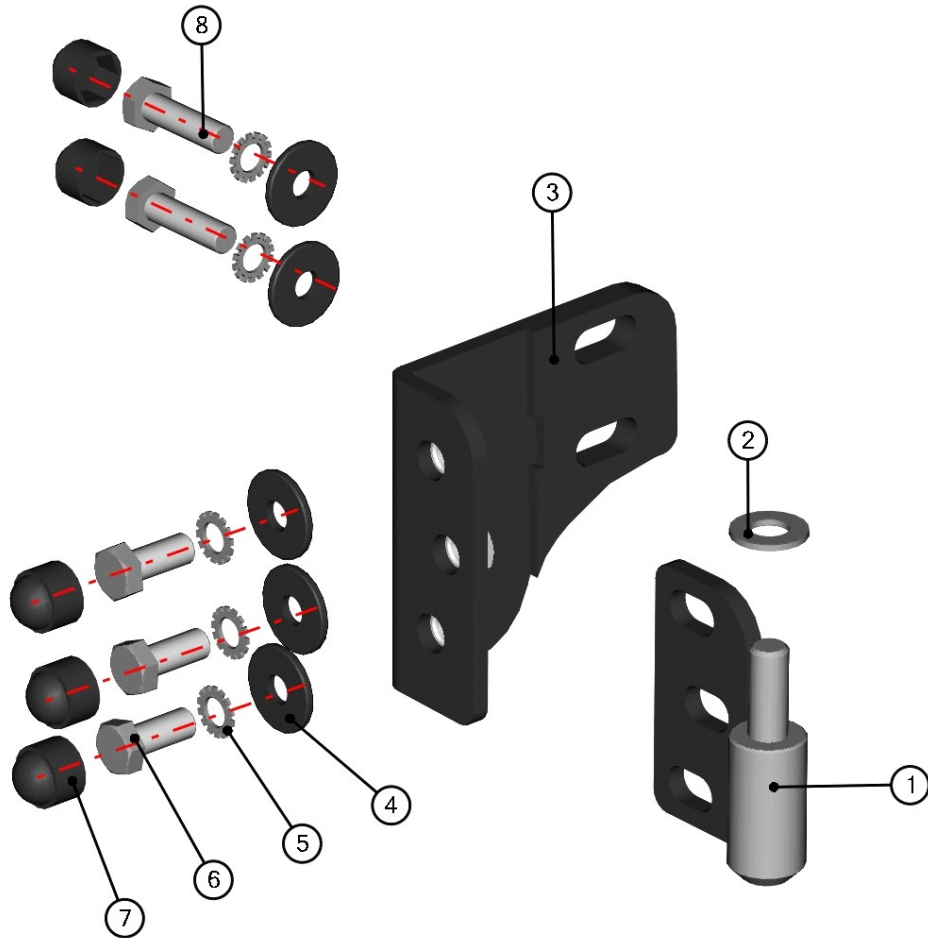


59

| ID | Catalogue no. | Description | Qty |
|----|-----------------|---|-----|
| 1 | 52S03U02-50W006 | RIGHT REAR DOOR BOTTOM FRAME HINGE WELDED | 1 |
| 2 | 004447 | WASHER 10 | 1 |
| 3 | 52S03U02-50W004 | RIGHT REAR DOOR BOTTOM HINGE WELDED | 1 |
| 4 | 003322 | RIVET WASHER 8 | 5 |
| 5 | 001489 | SERRATED LOCK WASHER 8 | 5 |
| 6 | 001437 | SCREW M8x20 | 3 |
| 7 | 001309 | PLASTIC NUT COVER OK 13 | 5 |
| 8 | 001411 | SCREW M8x30 | 2 |

RIGHT REAR DOOR UPPER FRAME HINGE ASSEMBLY

FOR ALL TECHNICAL QUESTIONS, PLEASE CALL
DFK AMERICA INC.
(630) 324-8585

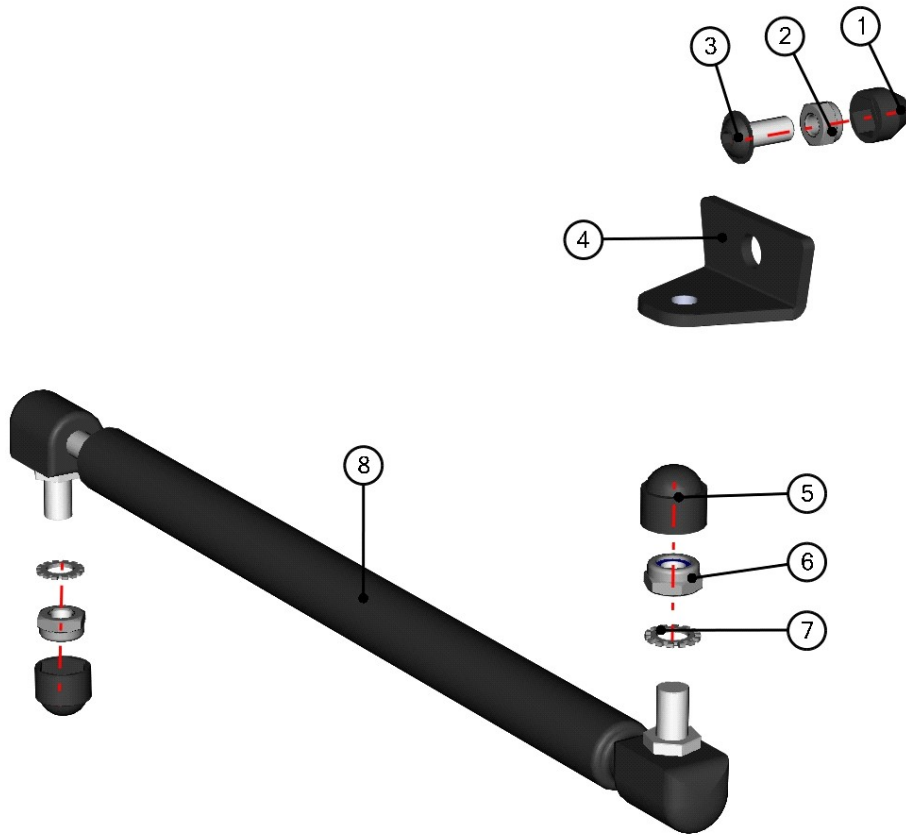


60

| ID | Catalogue no. | Description | Qty |
|----|-----------------|---|-----|
| 1 | 52S03U01-50W009 | RIGHT REAR DOOR UPPER HINGE WELDED | 1 |
| 2 | 004447 | WASHER 10 | 1 |
| 3 | 52S03U01-50W011 | RIGHT REAR DOOR UPPER HINGE HOLDER WELDED | 1 |
| 4 | 003322 | RIVET WASHER 8 | 5 |
| 5 | 001489 | SERRATED LOCK WASHER 8 | 5 |
| 6 | 001437 | SCREW M8x20 | 3 |
| 7 | 001309 | PLASTIC NUT COVER OK 13 | 5 |
| 8 | 001411 | SCREW M8x30 | 2 |

REAR DOOR GAS SPRING ASSEMBLY

FOR ALL TECHNICAL QUESTIONS, PLEASE CALL
DFK AMERICA INC.
(630) 324-8585

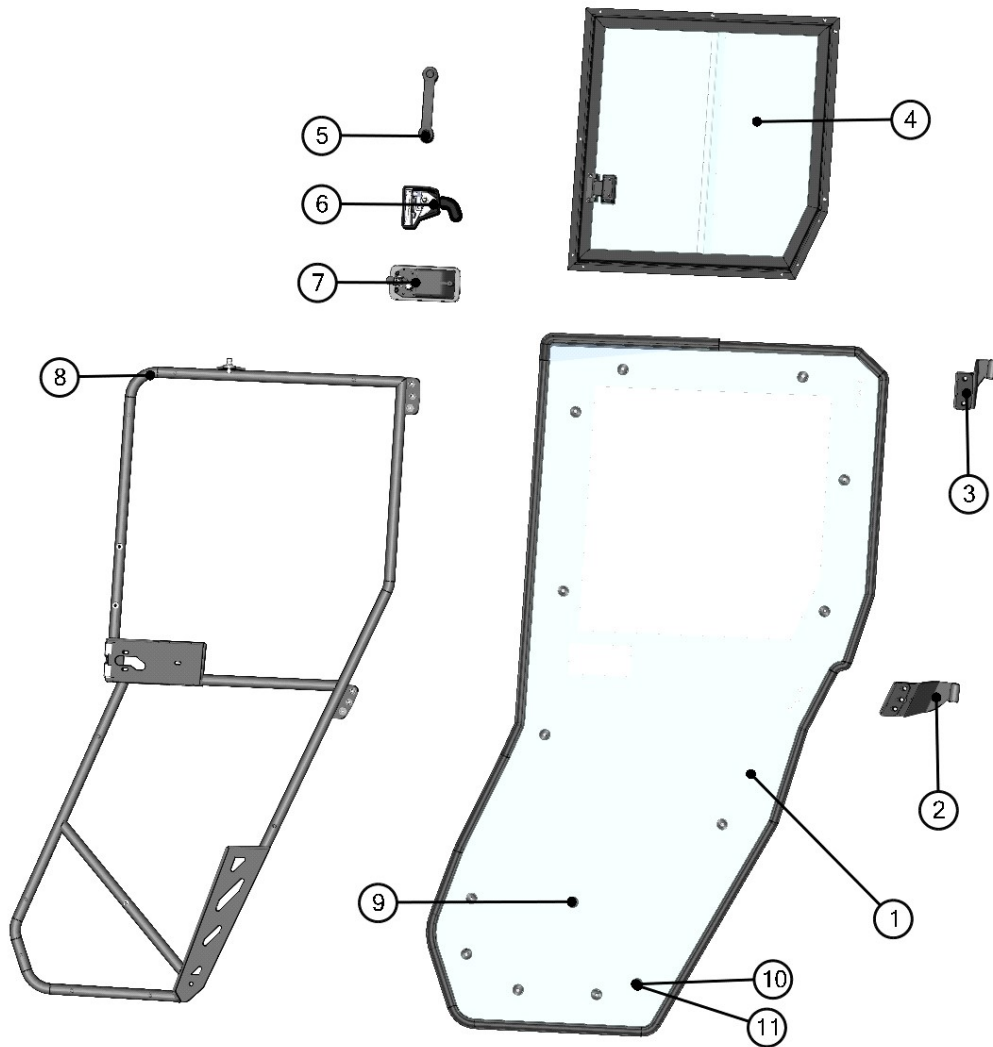


61

| ID | Catalogue no. | Description | Qty |
|----|-----------------|-------------------------|-----|
| 1 | 001348 | PLASTIC NUT COVER OK 10 | 1 |
| 2 | 001392 | SELF-LOCKING NUT M6 | 1 |
| 3 | 002971 | SCREW M6x15 | 1 |
| 4 | 52S03U01-50-031 | GAS SPRING HOLDER | 1 |
| 5 | 001309 | PLASTIC NUT COVER OK 13 | 2 |
| 6 | 001388 | SELF-LOCKING NUT M8 | 2 |
| 7 | 001489 | SERRATED LOCK WASHER 8 | 2 |
| 8 | 002494 | GAS SPRING | 1 |

RIGHT REAR DOOR ASSEMBLY

FOR ALL TECHNICAL QUESTIONS, PLEASE CALL
DFK AMERICA INC.
(630) 324-8585

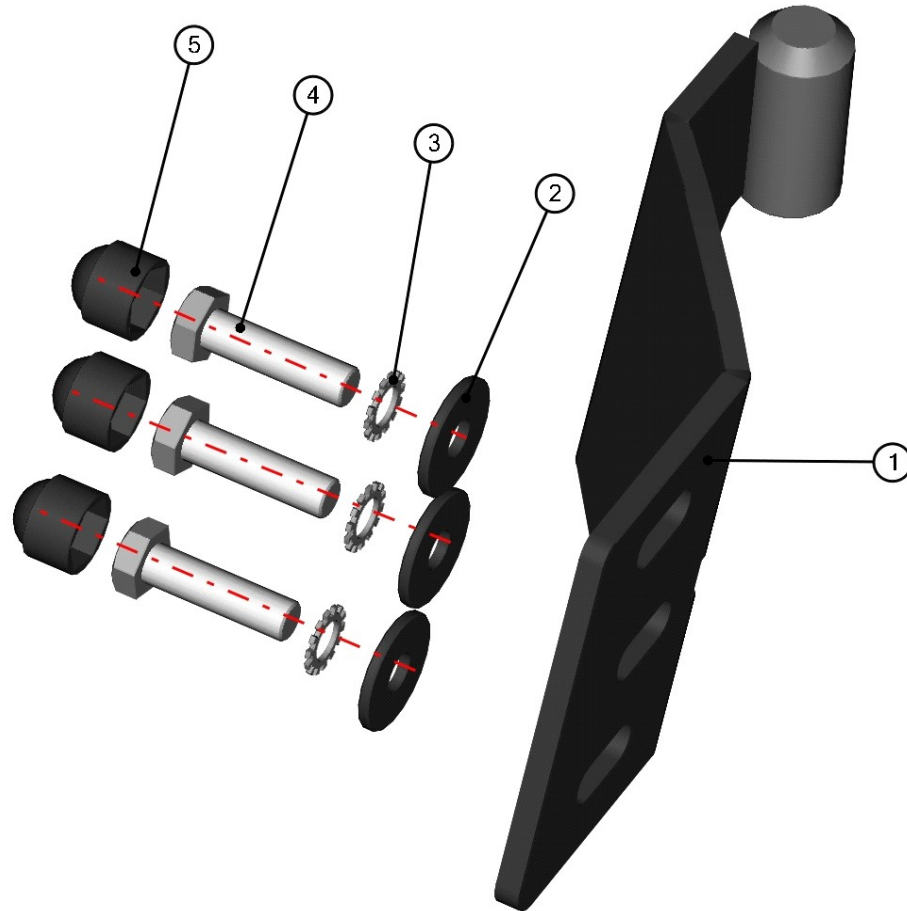


62

| ID | Catalogue no. | Description | Qty |
|----|-----------------|--|-----|
| 1 | 52S03U02-50M001 | RIGHT REAR DOOR POLYCARBONATE WITH SEALING | 1 |
| 2 | 52S03U01-50M005 | RIGHT REAR DOOR BOTTOM HINGE ASSEMBLY | 1 |
| 3 | 52S03U01-50M007 | RIGHT REAR DOOR UPPER HINGE ASSEMBLY | 1 |
| 4 | 52S03U02-50M003 | RIGHT REAR DOOR WINDOW ASSEMBLY | 1 |
| 5 | 52S03U01-50M006 | HANDLE ASSEMBLY | 1 |
| 6 | 00-40M019 | INNER DOOR LOCK | 1 |
| 7 | 000841 | OUTER DOOR LOCK | 1 |
| 8 | 52S03U02-50W001 | RIGHT REAR DOOR FRAME WELDED | 1 |
| 9 | 00-00M019 | POLYCARBONATE FIXING ASSEMBLY | 13 |
| 10 | 00-00M020 | FRAME FIXING ASSEMBLY 1 | 1 |
| 11 | 00-00M030 | FRAME FIXING ASSEMBLY 2 | 1 |

RIGHT REAR DOOR BOTTOM HINGE ASSEMBLY

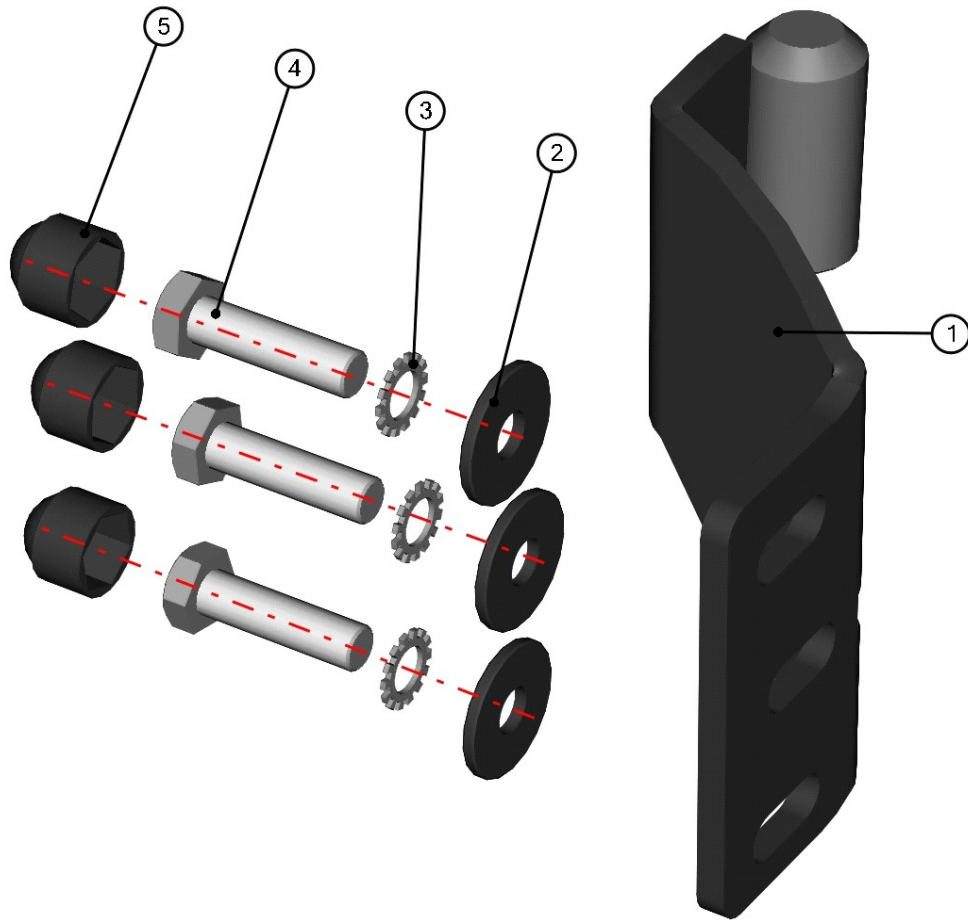
FOR ALL TECHNICAL QUESTIONS, PLEASE CALL
DFK AMERICA INC.
(630) 324-8585



| ID | Catalogue no. | Description | Qty |
|----|-----------------|-------------------------------------|-----|
| 1 | 52S03U01-50W006 | RIGHT REAR DOOR BOTTOM HINGE WELDED | 1 |
| 2 | 003322 | RIVET WASHER 8 | 3 |
| 3 | 001489 | SERRATED LOCK WASHER 8 | 3 |
| 4 | 001411 | SCREW M8x30 | 3 |
| 5 | 001309 | PLASTIC NUT COVER OK 13 | 3 |

RIGHT REAR DOOR UPPER HINGE ASSEMBLY

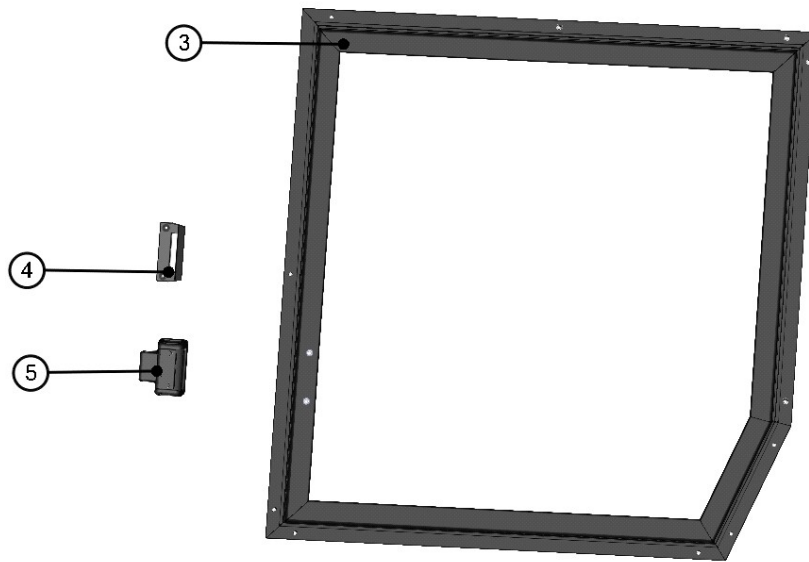
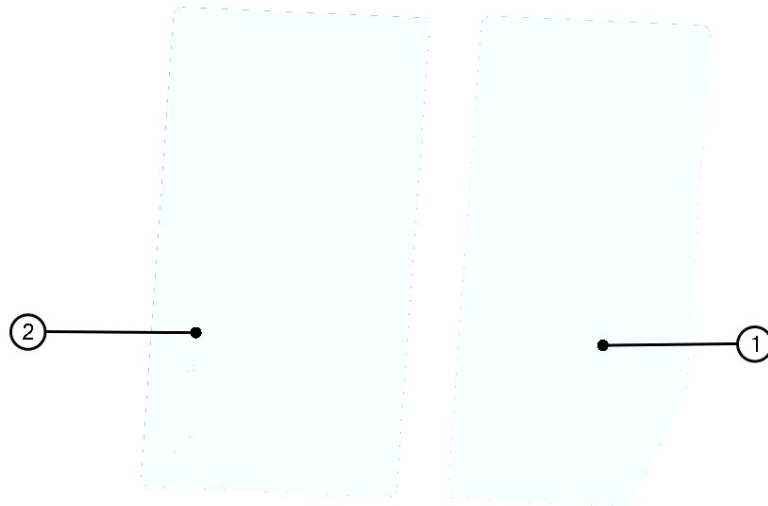
FOR ALL TECHNICAL QUESTIONS, PLEASE CALL
DFK AMERICA INC.
(630) 324-8585



| ID | Catalogue no. | Description | Qty |
|----|-----------------|------------------------------------|-----|
| 1 | 52S03U01-50W005 | RIGHT REAR DOOR UPPER HINGE WELDED | 1 |
| 2 | 003322 | RIVET WASHER 8 | 3 |
| 3 | 001489 | SERRATED LOCK WASHER 8 | 3 |
| 4 | 001411 | SCREW M8x30 | 3 |
| 5 | 001309 | PLASTIC NUT COVER OK 13 | 3 |

RIGHT REAR DOOR WINDOW ASSEMBLY

FOR ALL TECHNICAL QUESTIONS, PLEASE CALL
DFK AMERICA INC.
(630) 324-8585

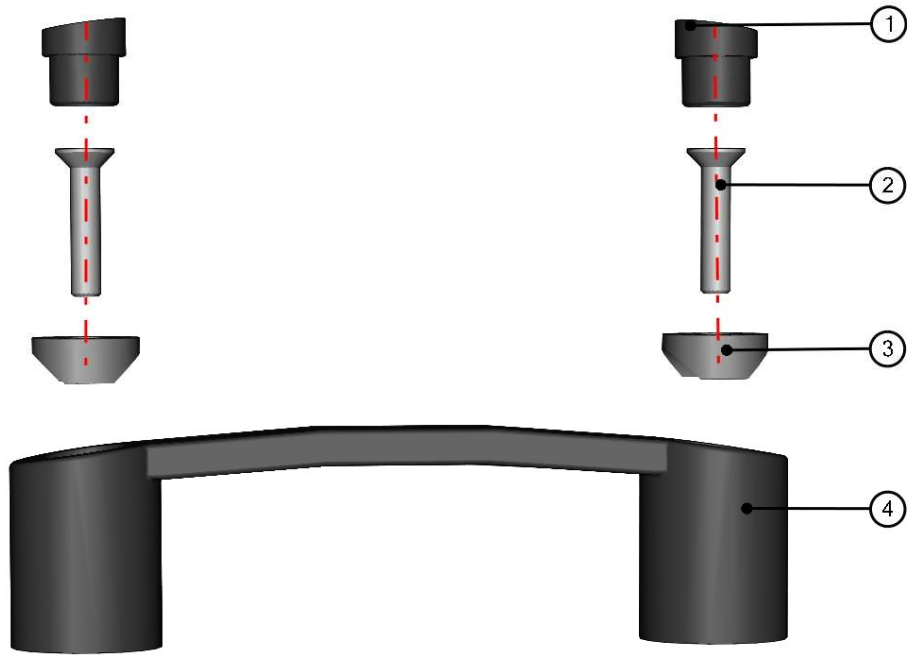


65

| ID | Catalogue no. | Description | Qty |
|----|-----------------|------------------------------|-----|
| 1 | 52S03U02-40-011 | REAR DOOR WINDOW SOLID | 1 |
| 2 | 52S03U02-40-012 | REAR DOOR WINDOW SOLID | 1 |
| 3 | 52S03U02-50-007 | RIGHT REAR DOOR WINDOW FRAME | 1 |
| 4 | 001762 | WINDOW STOP | 1 |
| 5 | 00-40M008 | WINDOW LOCK | 1 |

DOOR HANDLE ASSEMBLY

FOR ALL TECHNICAL QUESTIONS, PLEASE CALL
DFK AMERICA INC.
(630) 324-8585

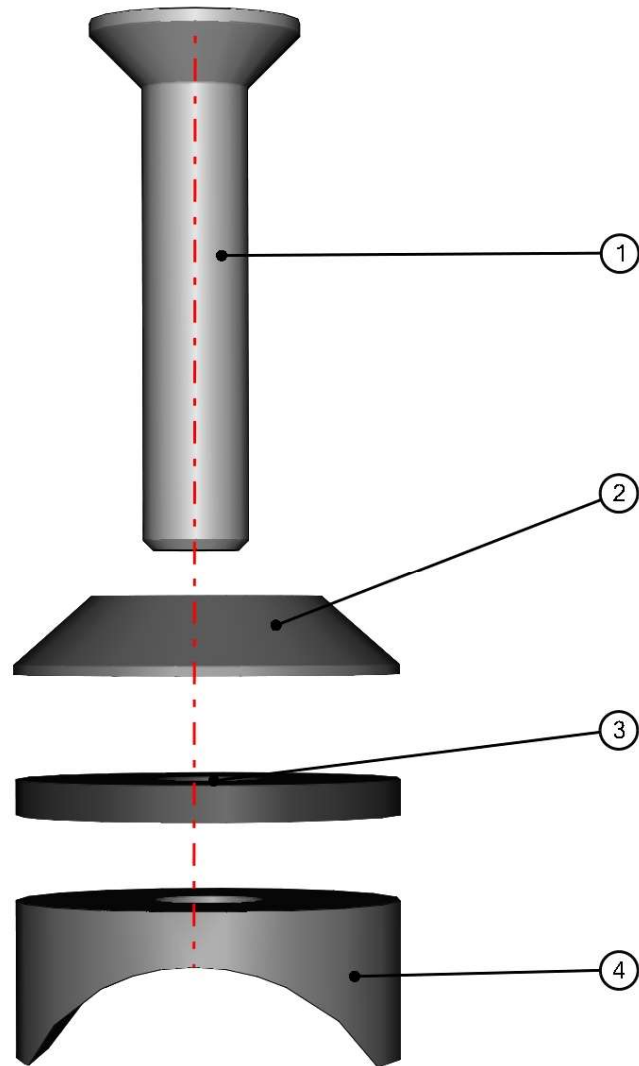


66

| ID | Catalogue no. | Description | Qty |
|----|---------------|--------------------|-----|
| 1 | 001706 | HANDLE SCREW COVER | 2 |
| 2 | 001701 | SCREW M6x30 | 2 |
| 3 | 001736 | SADDLE WASHER | 2 |
| 4 | 001703 | HANDLE | 1 |

POLYCARBONATE FIXING ASSEMBLY

FOR ALL TECHNICAL QUESTIONS, PLEASE CALL
DFK AMERICA INC.
(630) 324-8585

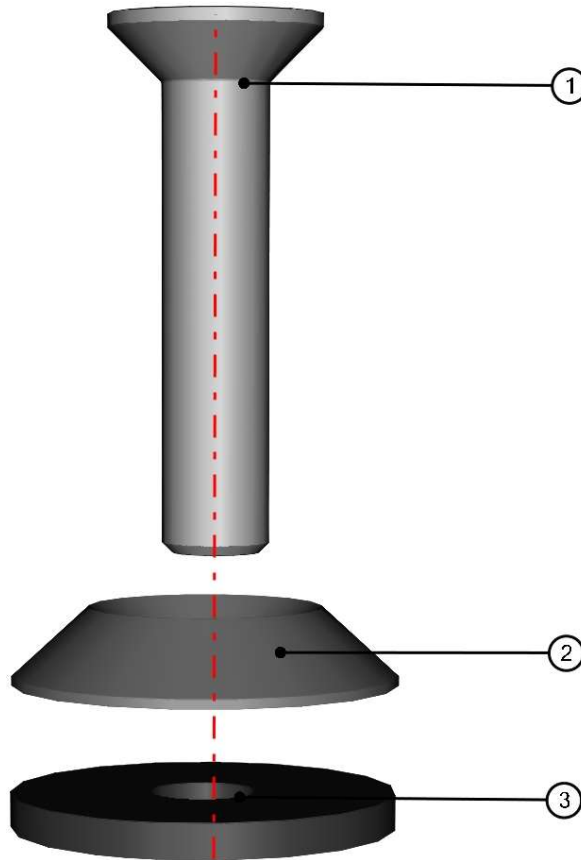


67

| ID | Catalogue no. | Description | Qty |
|----|---------------|----------------|-----|
| 1 | 001701 | SCREW M6x30 | 1 |
| 2 | 001715 | PLASTIC WASHER | 1 |
| 3 | 001735 | RUBBER WASHER | 1 |
| 4 | 001736 | SADDLE WASHER | 1 |

FRAME FIXING ASSEMBLY 1

FOR ALL TECHNICAL QUESTIONS, PLEASE CALL
DFK AMERICA INC.
(630) 324-8585

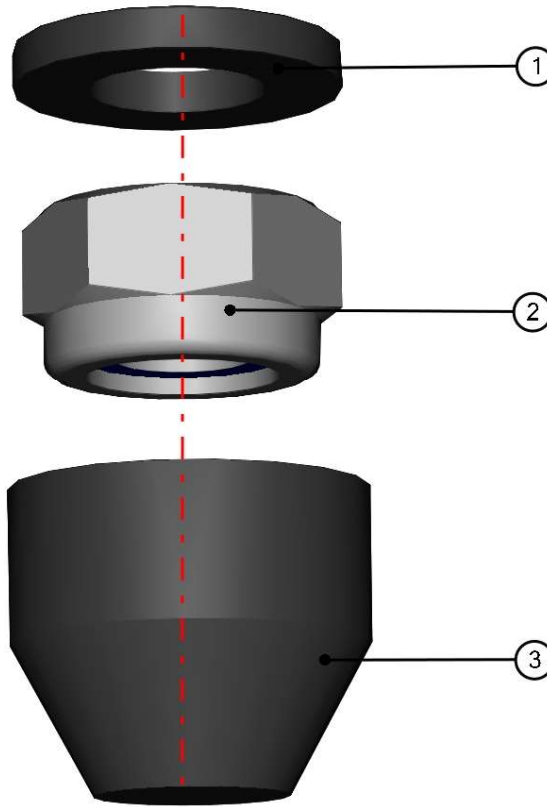


68

| ID | Catalogue no. | Description | Qty |
|----|---------------|----------------|-----|
| 1 | 001701 | SCREW M6x30 | 1 |
| 2 | 001715 | PLASTIC WASHER | 1 |
| 3 | 001735 | RUBBER WASHER | 1 |

FRAME FIXING ASSEMBLY 2

FOR ALL TECHNICAL QUESTIONS, PLEASE CALL
DFK AMERICA INC.
(630) 324-8585

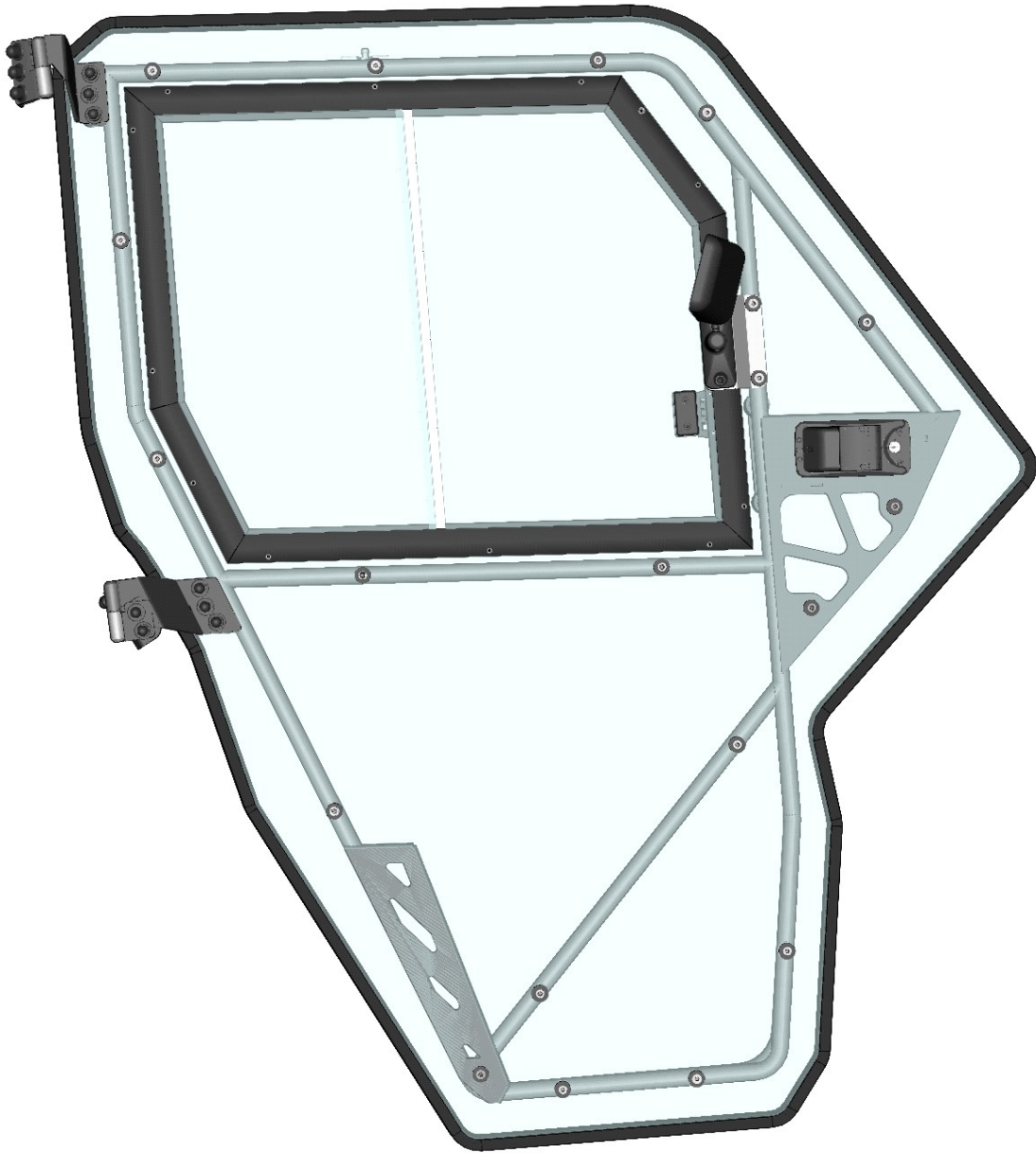


69

| ID | Catalogue no. | Description | Qty |
|----|---------------|-------------------------|-----|
| 1 | 001426 | WASHER 6 | 1 |
| 2 | 001392 | SELF-LOCKING NUT M6 | 1 |
| 3 | 001348 | PLASTIC NUT COVER OK 10 | 1 |

RIGHT FRONT DOOR

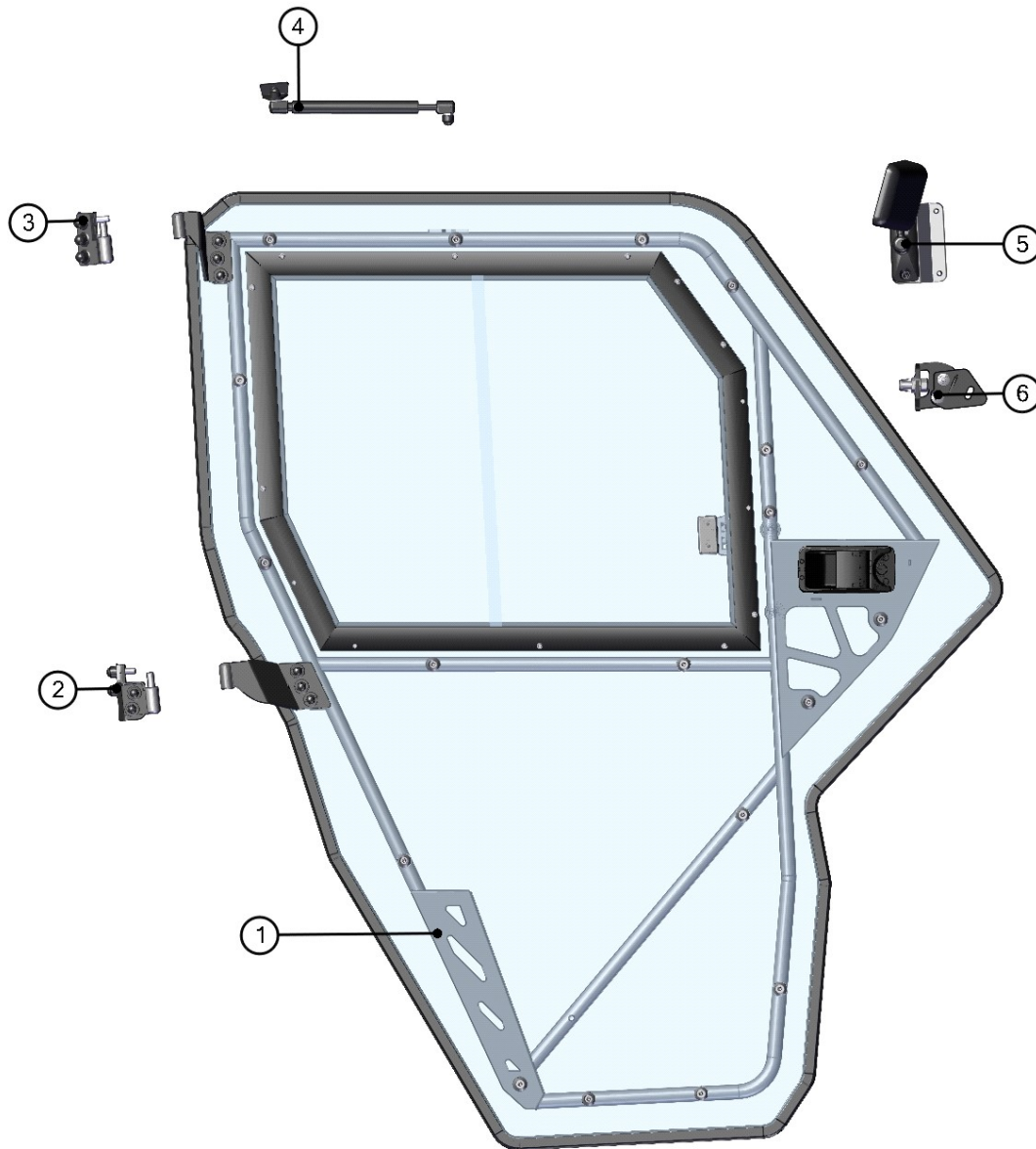
FOR ALL TECHNICAL QUESTIONS, PLEASE CALL
DFK AMERICA INC.
(630) 324-8585



70

RIGHT FRONT DOOR ASSEMBLIES

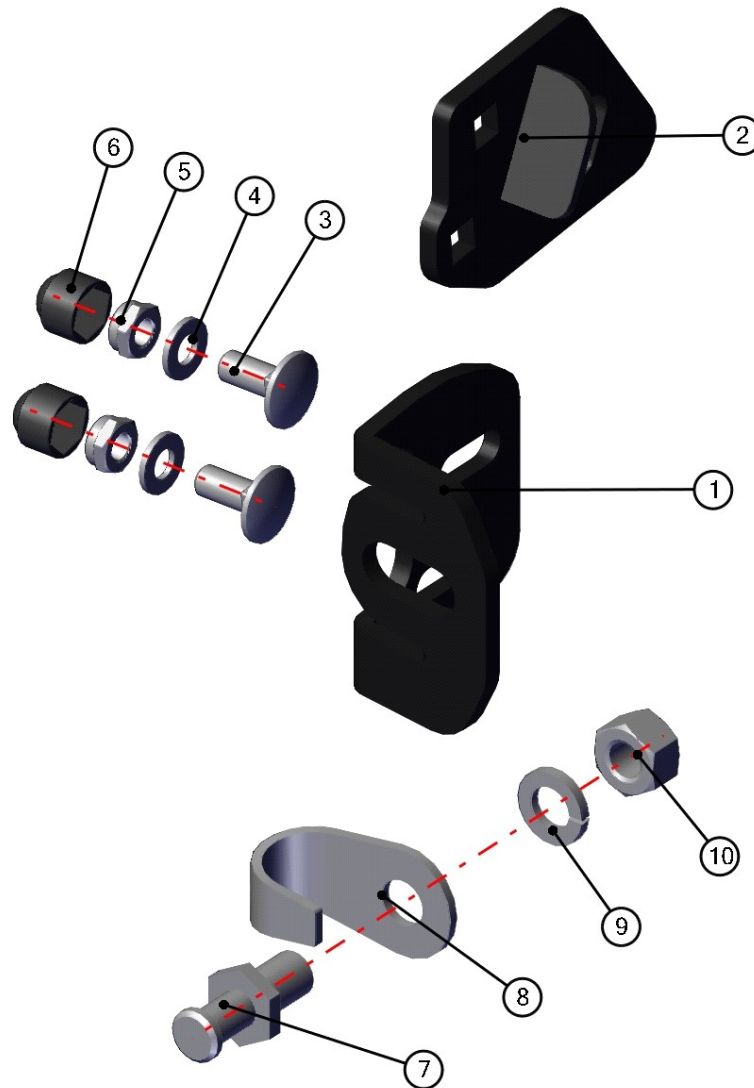
FOR ALL TECHNICAL QUESTIONS, PLEASE CALL
DFK AMERICA INC.
(630) 324-8585



| ID | Catalogue no. | Description | Qty |
|----|-----------------|--|-----|
| 1 | 52S03U01-50M002 | RIGHT FRONT DOOR ASSEMBLY | 1 |
| 2 | 52S03U02-50M008 | RIGHT FRONT DOOR BOTTOM HINGE ASSEMBLY | 1 |
| 3 | 52S03U02-50M006 | RIGHT FRONT DOOR UPPER HINGE ASSEMBLY | 1 |
| 4 | 52S03U01-50M010 | FRONT DOOR GAS SPRING ASSEMBLY | 1 |
| 5 | 00-109U-M004 | RIGHT REAR VIEW MIRROR ASSEMBLY | 1 |
| 6 | 52S03U01-50M003 | RIGHT FRONT DOOR STOP HOLDER ASSEMBLY | 1 |

RIGHT FRONT DOOR STOP ASSEMBLY

FOR ALL TECHNICAL QUESTIONS, PLEASE CALL
DFK AMERICA INC.
(630) 324-8585

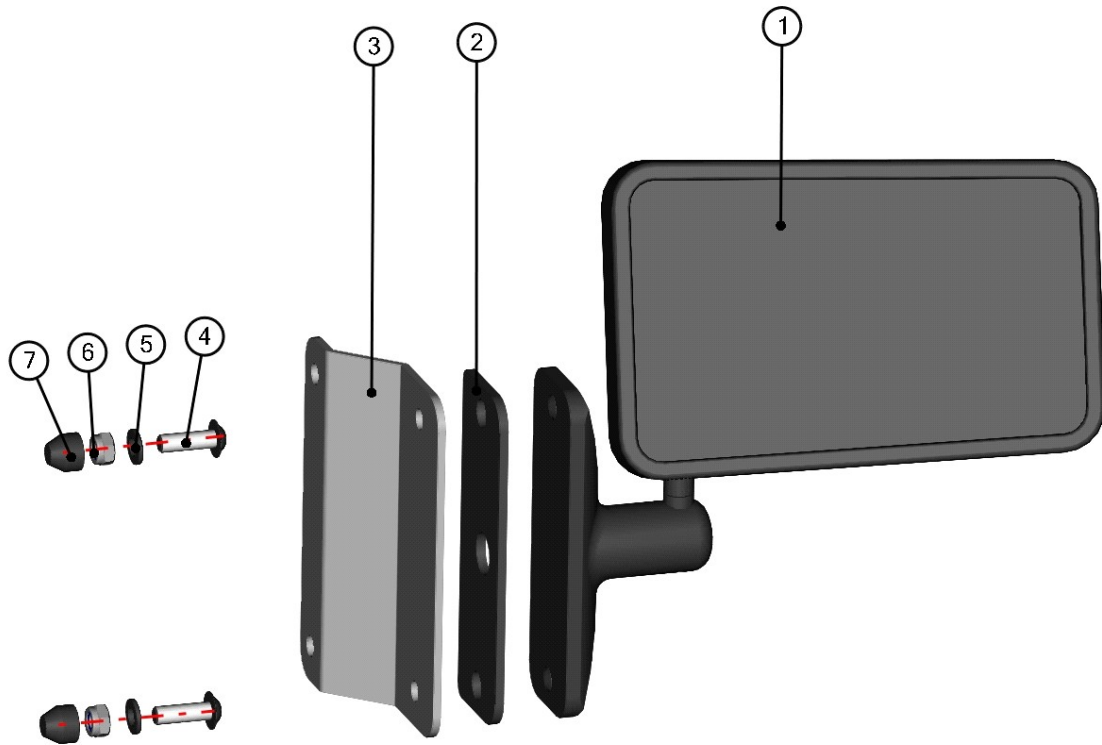


72

| ID | Catalogue no. | Description | Qty |
|----|-----------------|-------------------------------------|-----|
| 1 | 52S03U01-50-011 | RIGHT FRONT DOOR STOP HOLDER | 1 |
| 2 | 52S03U01-50W007 | RIGHT FRONT DOOR STOP HOLDER WELDED | 1 |
| 3 | 002575 | SCREW M8x20 | 2 |
| 4 | 001387 | WASHER 8 | 2 |
| 5 | 001388 | SELF-LOCKING NUT M8 | 2 |
| 6 | 001309 | PLASTIC NUT COVER OK 13 | 2 |
| 7 | 000854 | DOOR STOP PIN | 1 |
| 8 | 000855 | DOOR STOP HOOK | 1 |
| 9 | 000857 | DOOR STOP WASHER | 1 |
| 10 | 000856 | DOOR STOP NUT | 1 |

RIGHT REAR VIEW MIRROR ASSEMBLY

FOR ALL TECHNICAL QUESTIONS, PLEASE CALL
DFK AMERICA INC.
(630) 324-8585

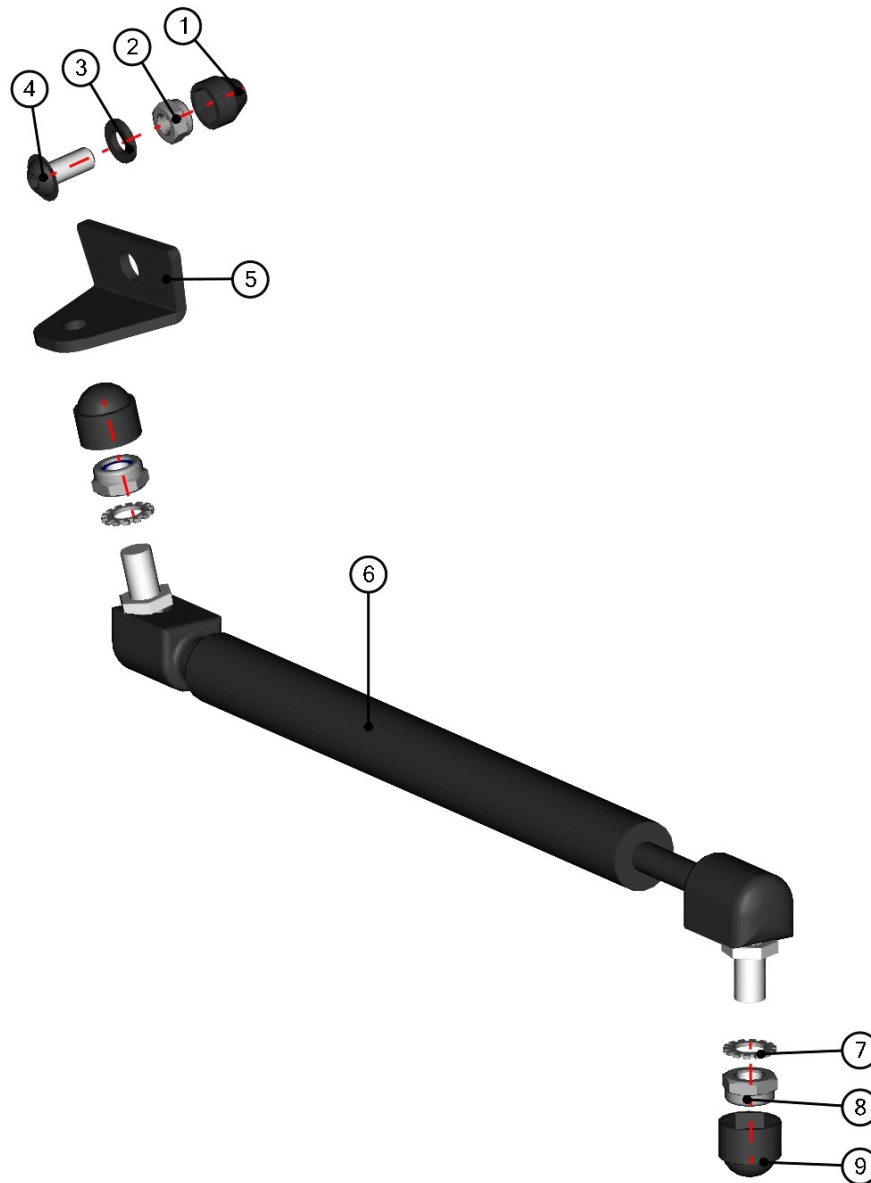


73

| ID | Catalogue no. | Description | Qty |
|----|---------------|--------------------------------|-----|
| 1 | 002774 | RIGHT REAR VIEW MIRROR | 1 |
| 2 | 00-109U-001 | REAR VIEW MIRROR RUBBER WASHER | 1 |
| 3 | 00-109U-002 | RIGHT REAR VIEW MIRROR HOLDER | 1 |
| 4 | 001723 | SCREW M6x20 | 2 |
| 5 | 001426 | WASHER 6 | 2 |
| 6 | 001392 | SELF-LOCKING NUT M6 | 2 |
| 7 | 001348 | PLASTIC NUT COVER OK 10 | 2 |

GAS SPRING ASSEMBLY

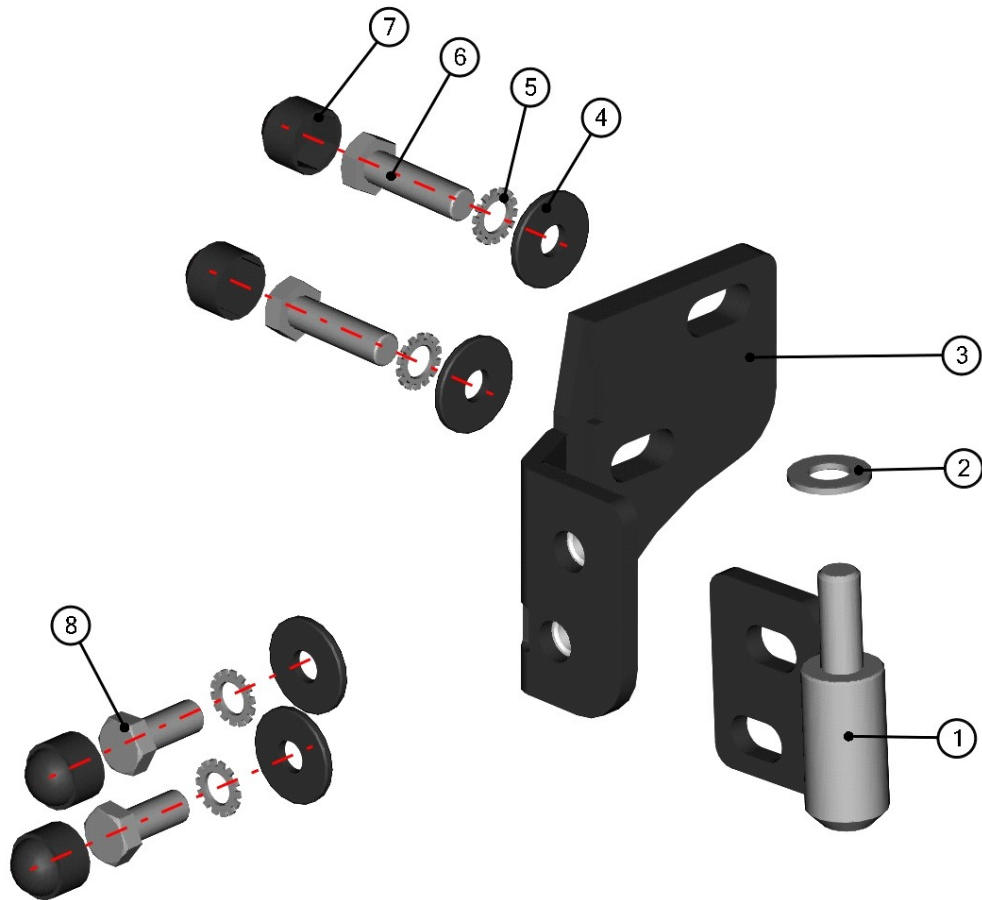
FOR ALL TECHNICAL QUESTIONS, PLEASE CALL
DFK AMERICA INC.
(630) 324-8585



| ID | Catalogue no. | Description | Qty |
|----|-----------------|-------------------------|-----|
| 1 | 001348 | PLASTIC NUT COVER OK 10 | 1 |
| 2 | 001392 | SELF-LOCKING NUT M6 | 1 |
| 3 | 001426 | WASHER 6 | 1 |
| 4 | 002971 | SCREW M6x15 | 1 |
| 5 | 52S03U01-50-031 | GAS SPRING HOLDER | 1 |
| 6 | 000865 | GAS SPRING | 1 |
| 7 | 001489 | SERRATED WASHER 8 | 2 |
| 8 | 001388 | SELF-LOCKING NUT M8 | 2 |
| 9 | 001309 | PLASTIC NUT COVER OK 13 | 2 |

RIGHT FRONT DOOR FRAME BOTTOM HINGE ASSEMBLY

FOR ALL TECHNICAL QUESTIONS, PLEASE CALL
DFK AMERICA INC.
(630) 324-8585

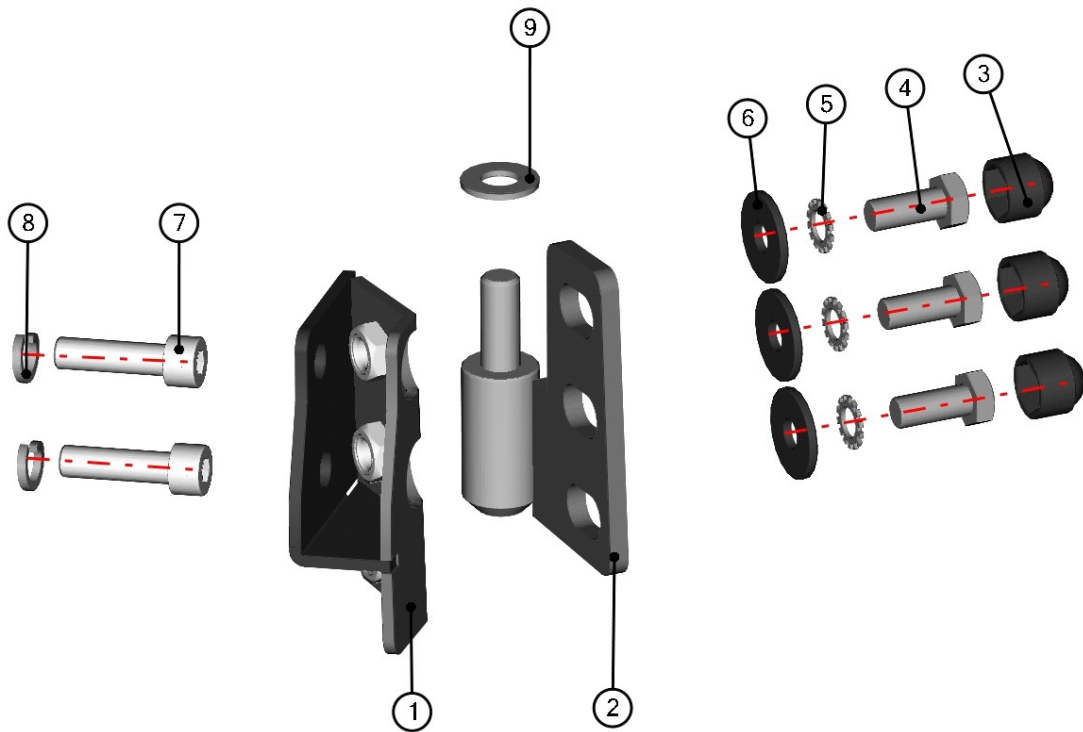


75

| ID | Catalogue no. | Description | Qty |
|----|-----------------|---|-----|
| 1 | 52S03U02-50W011 | RIGHT FRONT DOOR BOTTOM HINGE WELDED | 1 |
| 2 | 004447 | WASHER 10 | 1 |
| 3 | 52S03U02-50W010 | RIGHT FRONT DOOR BOTTOM HINGE HOLDER WELDED | 1 |
| 4 | 003322 | RIVET WASHER 8 | 4 |
| 5 | 001489 | SERRATED WASHER 8 | 4 |
| 6 | 001411 | SCREW M8x30 | 2 |
| 7 | 001309 | PLASTIC NUT COVER OK 13 | 4 |
| 8 | 001437 | SCREW M8x20 | 2 |

RIGHT FRONT DOOR FRAME UPPER HINGE ASSEMBLY

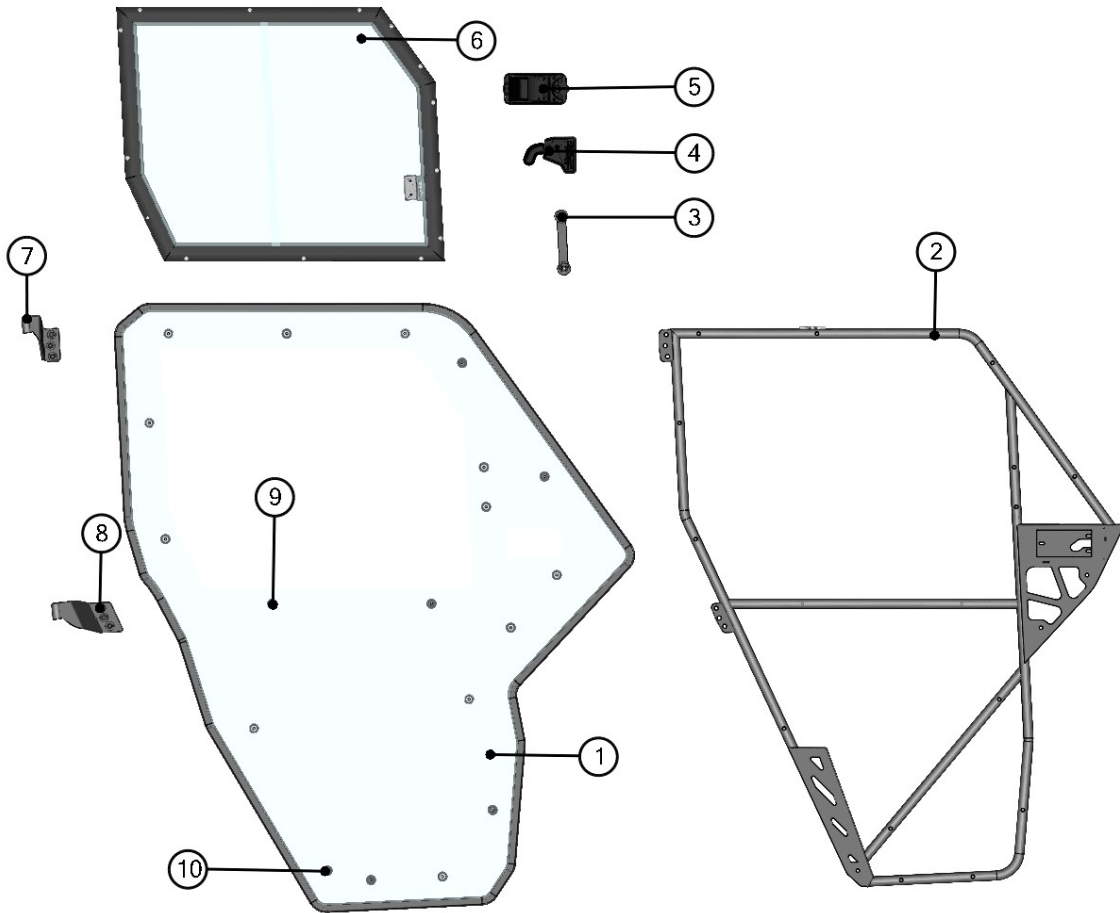
FOR ALL TECHNICAL QUESTIONS, PLEASE CALL
DFK AMERICA INC.
(630) 324-8585



| ID | Catalogue no. | Description | Qty |
|----|-----------------|--|-----|
| 1 | 52S03U02-50W003 | RIGHT FRONT DOOR UPPER HINGE HOLDER WELDED | 1 |
| 2 | 52S03U02-50W007 | RIGHT FRONT DOOR UPPER HINGE WELDED | 1 |
| 3 | 001309 | PLASTIC NUT COVER OK 13 | 3 |
| 4 | 001437 | SCREW M8x20 | 3 |
| 5 | 001489 | SERRATED WASHER 8 | 3 |
| 6 | 003322 | RIVER WASHER 8 | 3 |
| 7 | 002656 | IMBUS SCREW M8x30 | 2 |
| 8 | 001492 | SPRING WASHER 8 | 2 |
| 9 | 004447 | WASHER 10 | 1 |

RIGHT FRONT DOOR ASSEMBLY

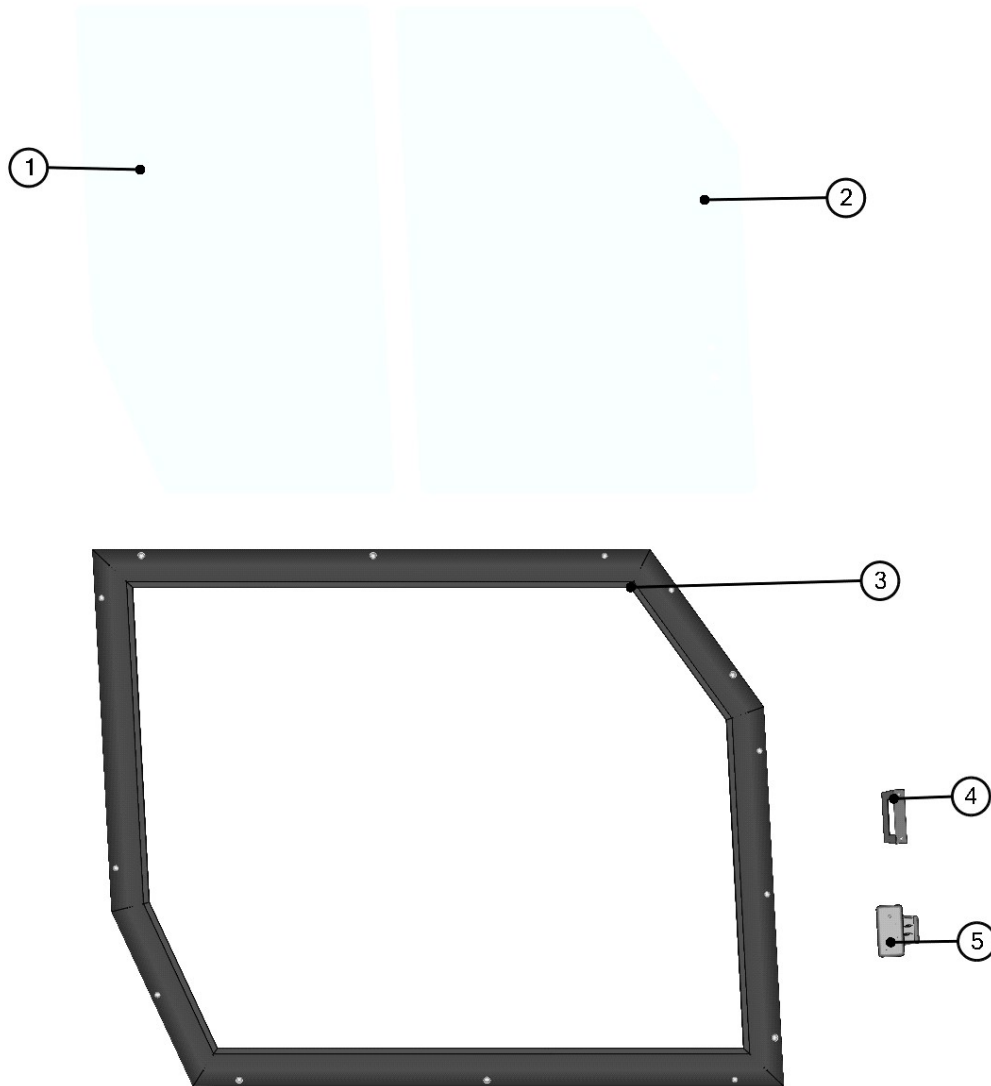
FOR ALL TECHNICAL QUESTIONS, PLEASE CALL
DFK AMERICA INC.
(630) 324-8585



| ID | Catalogue no. | Description | Qty |
|----|------------------|---|-----|
| 1 | 52S03U01-50M001 | RIGHT DRONT DOOR POLYCARBONATE WITH SEALING | 1 |
| 2 | 52S03U01-50W001 | RIGHT FRONT DOOR FRAME WELDED | 1 |
| 3 | 52S03U01-50M0061 | DOOR HANDLE ASSEMBLY | 1 |
| 4 | 00-40M019 | INNER DOOR LOCK | 1 |
| 5 | 000841 | OUTER DOOR LOCK | 1 |
| 6 | 52S03U01-50M004 | RIGHT FRONT WINDOW ASSEMBLY | 1 |
| 7 | 52S03U01-50M007 | RIGHT FRONT DOOR BOTTOM HINGE ASSEMBLY | 1 |
| 8 | 52S03U01-50M005 | RIGHT FRONT DOOR BOTTOM HINGE ASSEMBLY | 1 |
| 9 | 00-00M019 | POLYCARBONATE FIXING ASSEMBLY | 8 |
| 10 | 00-00M020 | FRAME FIXING ASSEMBLY | 3 |

RIGHT FRONT DOOR WINDOW ASSEMBLY

FOR ALL TECHNICAL QUESTIONS, PLEASE CALL
DFK AMERICA INC.
(630) 324-8585

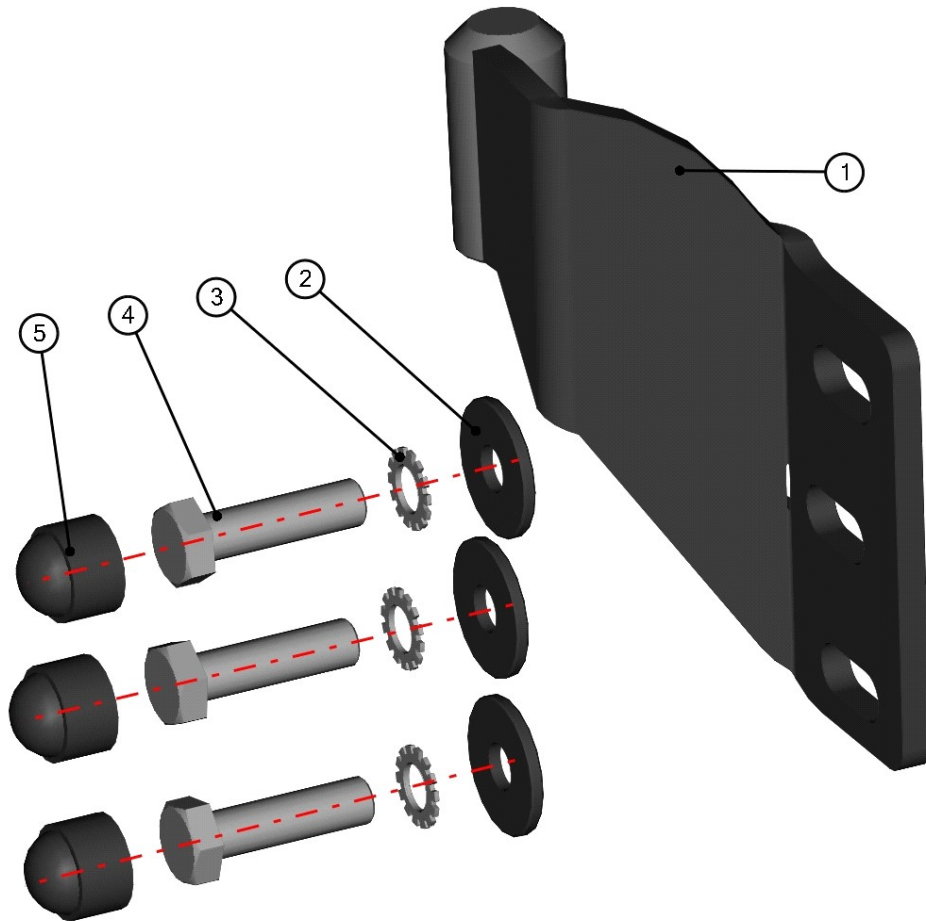


78

| ID | Catalogue no. | Description | Qty |
|----|-----------------|-------------------------------|-----|
| 1 | 52S03U01-50-015 | FRONT WINDOW GLASS SOLID | 1 |
| 2 | 52S03U01-50-016 | FRONT WINDOW GLASS MOVABLE | 1 |
| 3 | 52S03U01-50-014 | RIGHT FRONT DOOR WINDOW FRAME | 1 |
| 4 | 001762 | WINDOW STOP | 1 |
| 5 | 00-40M008 | WINDOW LOCK | 1 |

RIGHT FRONT DOOR UPPER HINGE ASSEMBLY

FOR ALL TECHNICAL QUESTIONS, PLEASE CALL
DFK AMERICA INC.
(630) 324-8585

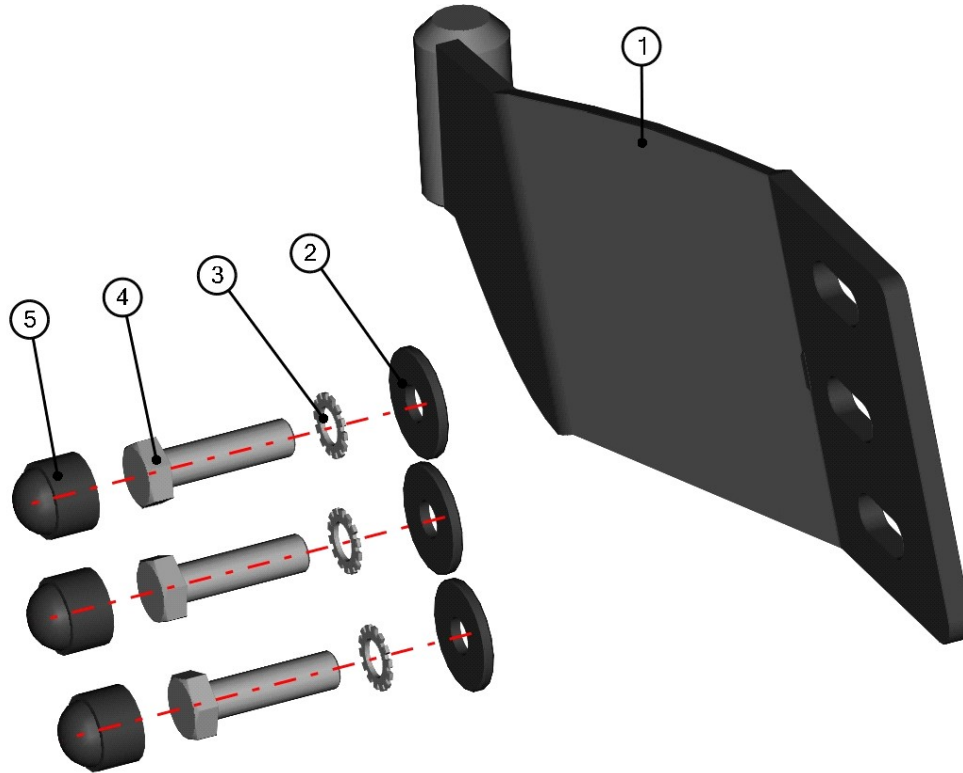


79

| ID | Catalogue no. | Description | Qty |
|----|-----------------|-------------------------------------|-----|
| 1 | 52S03U01-50W005 | RIGHT FRONT DOOR UPPER HINGE WELDED | 1 |
| 2 | 003322 | RIVET WASHER 8 | 3 |
| 3 | 001489 | SERRATED WASHER 8 | 3 |
| 4 | 001411 | SCREW M8x30 | 3 |
| 5 | 001309 | PLASTIC NUT COVER OK 13 | 3 |

RIGHT FRONT DOOR BOTTOM HINGE ASSEMBLY

FOR ALL TECHNICAL QUESTIONS, PLEASE CALL
DFK AMERICA INC.
(630) 324-8585

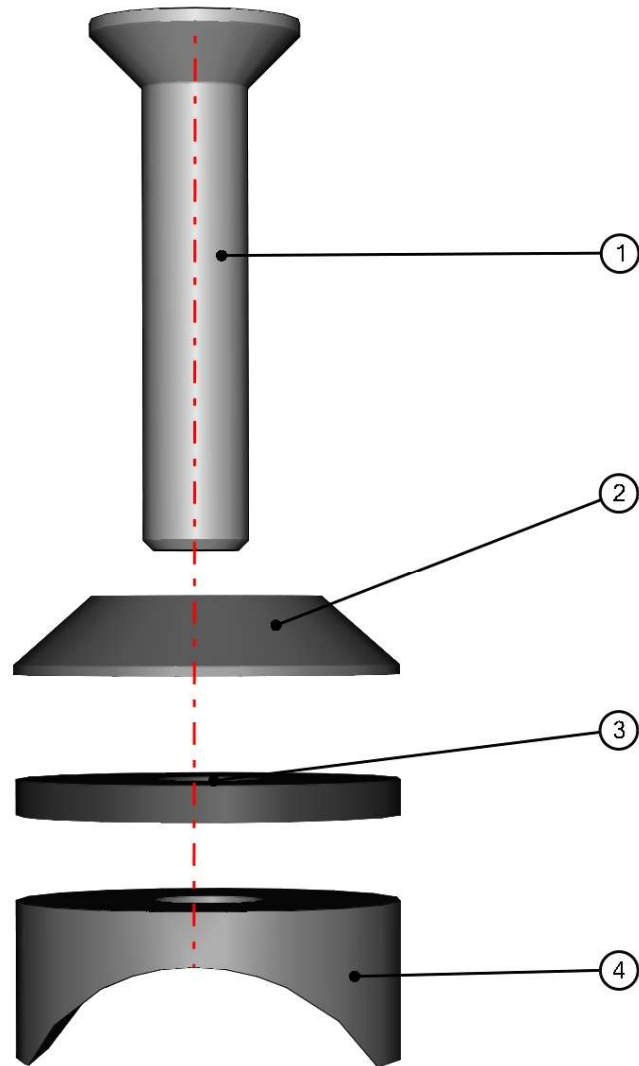


80

| ID | Catalogue no. | Description | Qty |
|----|-----------------|--------------------------------------|-----|
| 1 | 52S03U01-50W006 | RIGHT FRONT DOOR BOTTOM HINGE WELDED | 1 |
| 2 | 003322 | RIVET WASHER 8 | 3 |
| 3 | 001489 | SERRATED WASHER 8 | 3 |
| 4 | 001411 | SCREW M8x30 | 3 |
| 5 | 001309 | PLASTIC NUT COVER OK 13 | 3 |

POLYCARBONATE FIXING ASSEMBLY

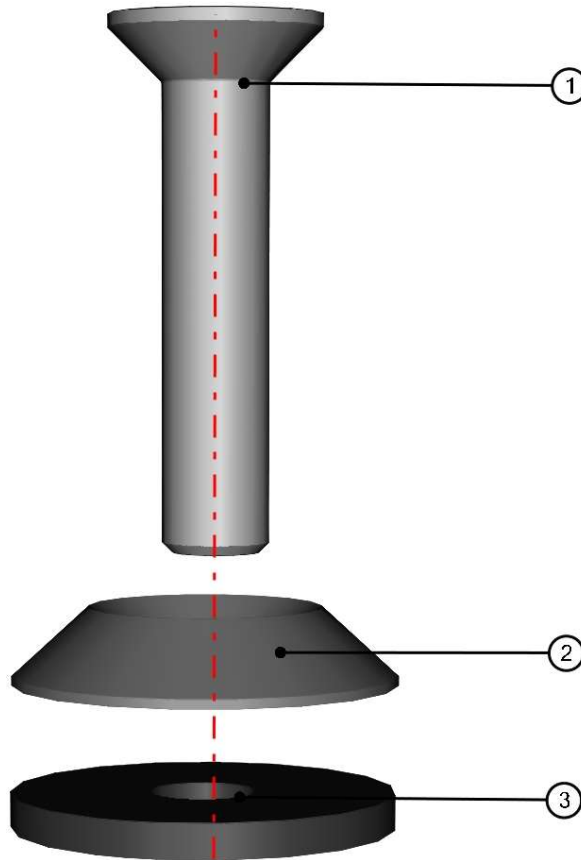
FOR ALL TECHNICAL QUESTIONS, PLEASE CALL
DFK AMERICA INC.
(630) 324-8585



| ID | Catalogue no. | Description | Qty |
|----|---------------|----------------|-----|
| 1 | 001701 | SCREW M6x30 | 1 |
| 2 | 001715 | PLASTIC WASHER | 1 |
| 3 | 001735 | RUBBER WASHER | 1 |
| 4 | 001736 | SADDLE WASHER | 1 |

FRAME FIXING ASSEMBLY

FOR ALL TECHNICAL QUESTIONS, PLEASE CALL
DFK AMERICA INC.
(630) 324-8585

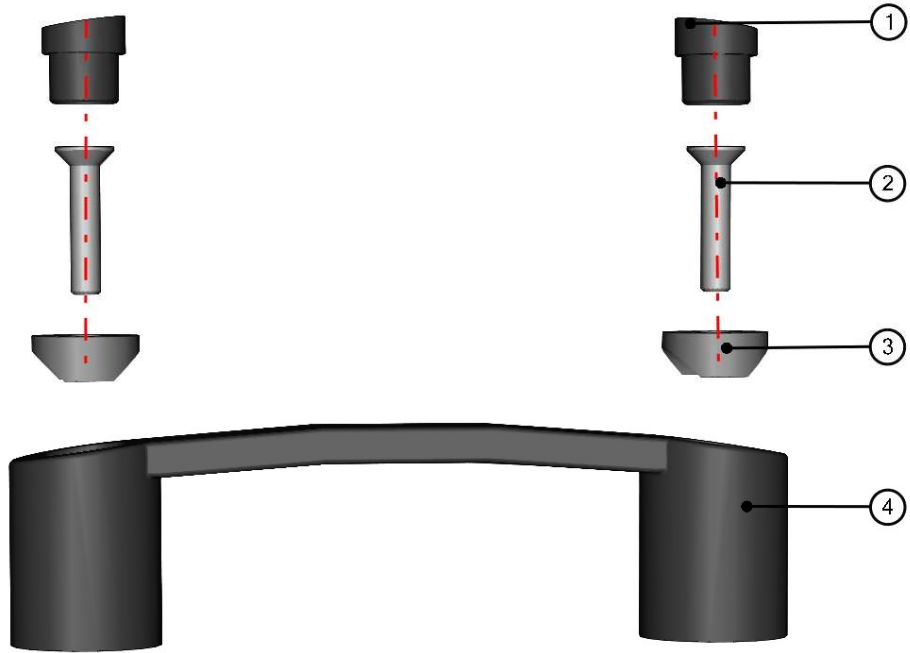


82

| ID | Catalogue no. | Description | Qty |
|----|---------------|----------------|-----|
| 1 | 001701 | SCREW M6x30 | 1 |
| 2 | 001715 | PLASTIC WASHER | 1 |
| 3 | 001735 | RUBBER WASHER | 1 |

DOOR HANDLE ASSEMBLY

FOR ALL TECHNICAL QUESTIONS, PLEASE CALL
DFK AMERICA INC.
(630) 324-8585



| ID | Catalogue no. | Description | Qty |
|----|---------------|--------------------|-----|
| 1 | 001706 | HANDLE SCREW COVER | 2 |
| 2 | 001701 | SCREW M6x30 | 2 |
| 3 | 001736 | SADDLE WASHER | 2 |
| 4 | 001703 | HANDLE | 1 |



CAN-AM



DEFENDER MAX

ELECTROINSTALLATION

| Position | Catalogue no. | Description | Qty |
|----------|-----------------|---------------------------|-----|
| 1 | 004322 | SWITCH WIPER /WASHER /OFF | 1 |
| 2 | 000885 | WASHER TANK | 1 |
| 3 | 001576 | WASHER MOTOR | 1 |
| 4 | 001652 | FUSE BOX 2x1 | 1 |
| 5 | 002764 | WIPER MOTOR 12V | 1 |
| 6 | 52S03U01-01M001 | WIPER HARNESS | 1 |
| 7 | 52S03U01-03M002 | WASHER HARNESS | 1 |
| 8 | 52S03U01-02M011 | HEATER COVER | 1 |
| 9 | 52S03U01-02-006 | HEATER HOLDER | 1 |
| 10 | 004307 | HEATER | 1 |
| 11 | 001571 | BENDED HOSE | 2 |
| 12 | 002491 | AIR VALVE | 1 |
| 13 | 002386 | ELECTROMAGNETIC VALVE | 1 |
| 14 | 000896 | HEATER HOSE | 1 |
| 15 | 002642 | TIGHTENING STRAP 14-27 | 8 |
| 16 | 002739 | AIR VENT | 2 |
| 17 | 002702 | HEATER SWITCH | 1 |
| 18 | 002391 | VALVE SWITCH | 1 |
| 19 | 002502 | "Y" COUPLING | 2 |
| 20 | 52S03U01-02M006 | HEATER HARNESS | 1 |
| 21 | 001367 | TIGHTENING STRAP 12-22 | 8 |
| 22 | 002643 | TIGHTENING STRAP 21-38 | 4 |
| 23 | 002795 | HOT AIR HOSE PVC | 1 |
| 24 | 002705 | AL. TAPE | 1 |
| 25 | 002471 | HOT WATER PUMP | 1 |
| 26 | 52S03U01-02M008 | HOT WATER PUMP HARNESS | 1 |

84

FOR ALL TECHNICAL QUESTIONS, PLEASE CALL
DFK AMERICA INC.
(630) 324-8585



CAN-AM
DEFENDER MAX



Position : 1

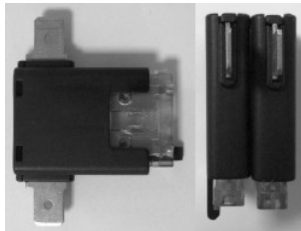
Catalogue no.: 004322

Position : 2

Catalogue no.: 000885

Position : 3

Catalogue no.: 001576



Position : 4

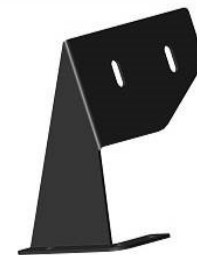
Catalogue no.: 001652

Position : 5

Catalogue no.: 002764

Position : 6

**Catalogue no.:
52S03U01-01M001**



Position : 7

**Catalogue no.:
52S03U01-03M002**

Position : 8

**Catalogue no.:
52S03U01-02M011**

Position : 9

**Catalogue no.:
52S03U01-02-006**

FOR ALL TECHNICAL QUESTIONS, PLEASE CALL
DFK AMERICA INC.
(630) 324-8585



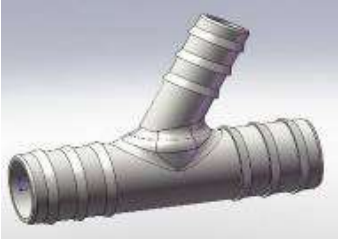
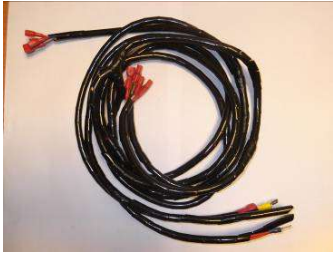






| | | |
|------------------------------|------------------------------|------------------------------|
| Position : 10 | Position : 11 | Position : 12 |
| Catalogue no.: 004307 | Catalogue no.: 001571 | Catalogue no.: 002491 |



| | | |
|------------------------------|------------------------------|------------------------------|
| Position : 13 | Position : 14 | Position : 15 |
| Catalogue no.: 002386 | Catalogue no.: 000896 | Catalogue no.: 002642 |



| | | |
|------------------------------|------------------------------|------------------------------|
| Position : 16 | Position : 17 | Position : 18 |
| Catalogue no.: 002739 | Catalogue no.: 002702 | Catalogue no.: 002391 |

| | | |
|---|--|--|
|  |  |  |
| <p>Position : 19</p> | <p>Position : 20</p> | <p>Position : 21</p> |
| <p>Catalogue no.: 002502</p> | <p>Catalogue no.: 52S03U01-02M006</p> | <p>Catalogue no.: 001367</p> |
|  |  |  |
| <p>Position : 22</p> | <p>Position : 23</p> | <p>Position : 24</p> |
| <p>Catalogue no.: 002643</p> | <p>Catalogue no.: 002795</p> | <p>Catalogue no.: 002705</p> |
|  |  | |
| <p>Position : 25</p> | <p>Position : 26</p> | |
| <p>Catalogue no.: 002471</p> | <p>Catalogue no.: 52S03U01-20M008</p> | |