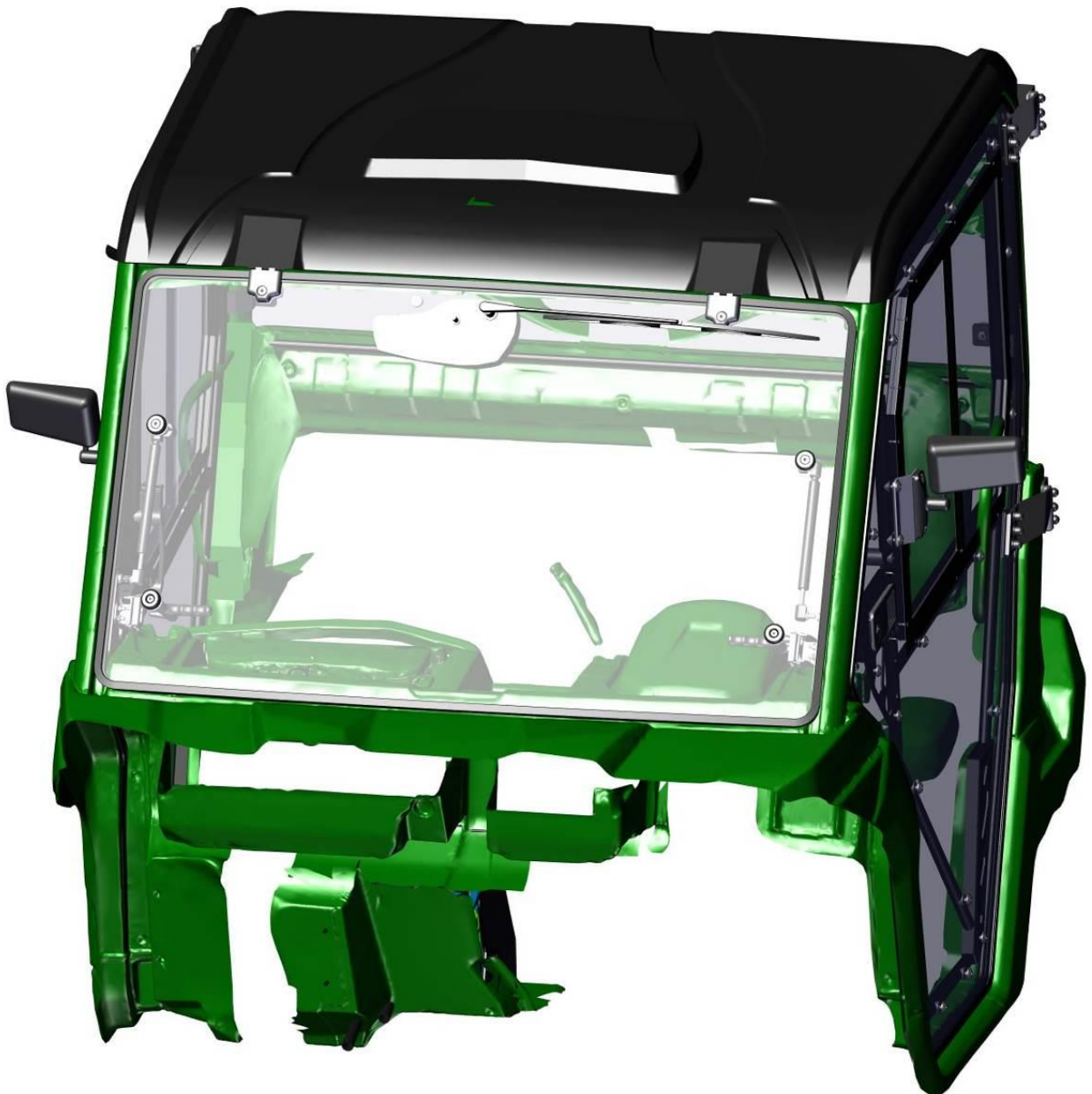


HardCabs

A DFK AMERICA COMPANY

SPARE - PARTS CATALOG

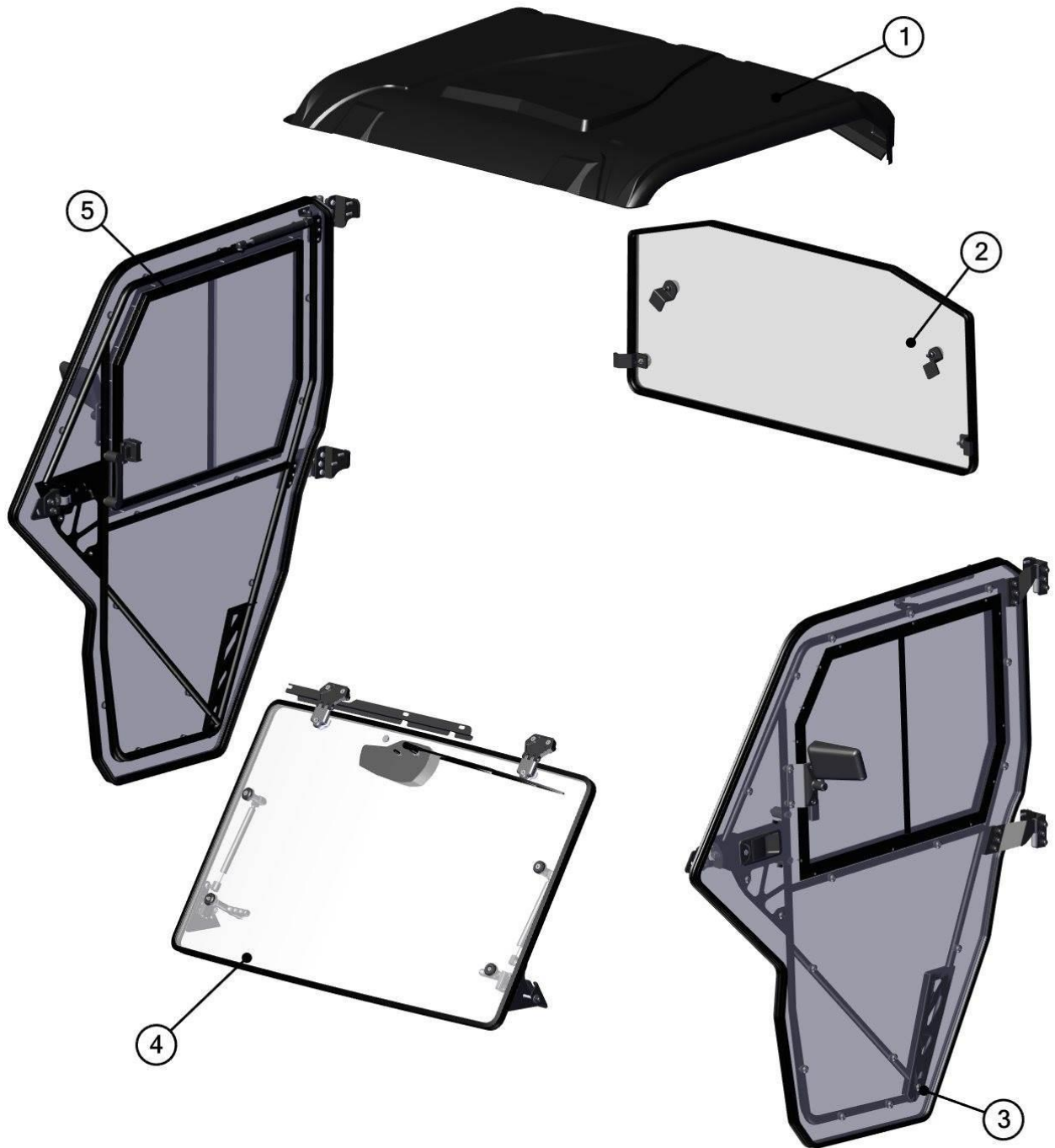
CAN-AM **DEFENDER**



CAB PREVIEW



2

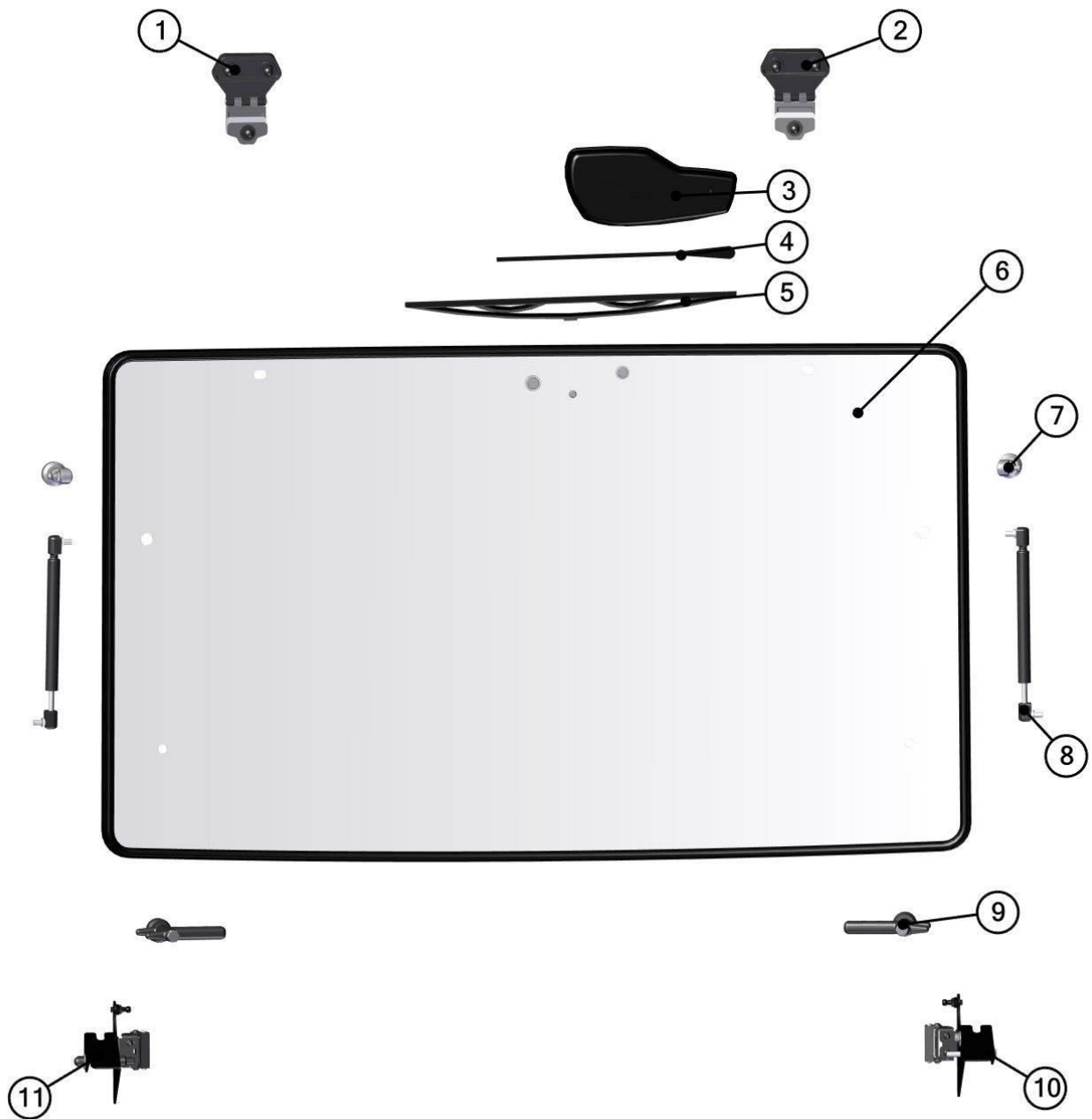


3

ID	Catalogue no.	Description	Qty
1	52S03U01S30	PLASTIC ROOF	1
2	52S03U01S20	REAR PANEL	1
3	52S03U01S40	LEFT DOOR	1
4	52S03U01S10	FRONT PANEL	1
5	52S03U01S50	RIGHT DOOR	1

FRONT PANEL



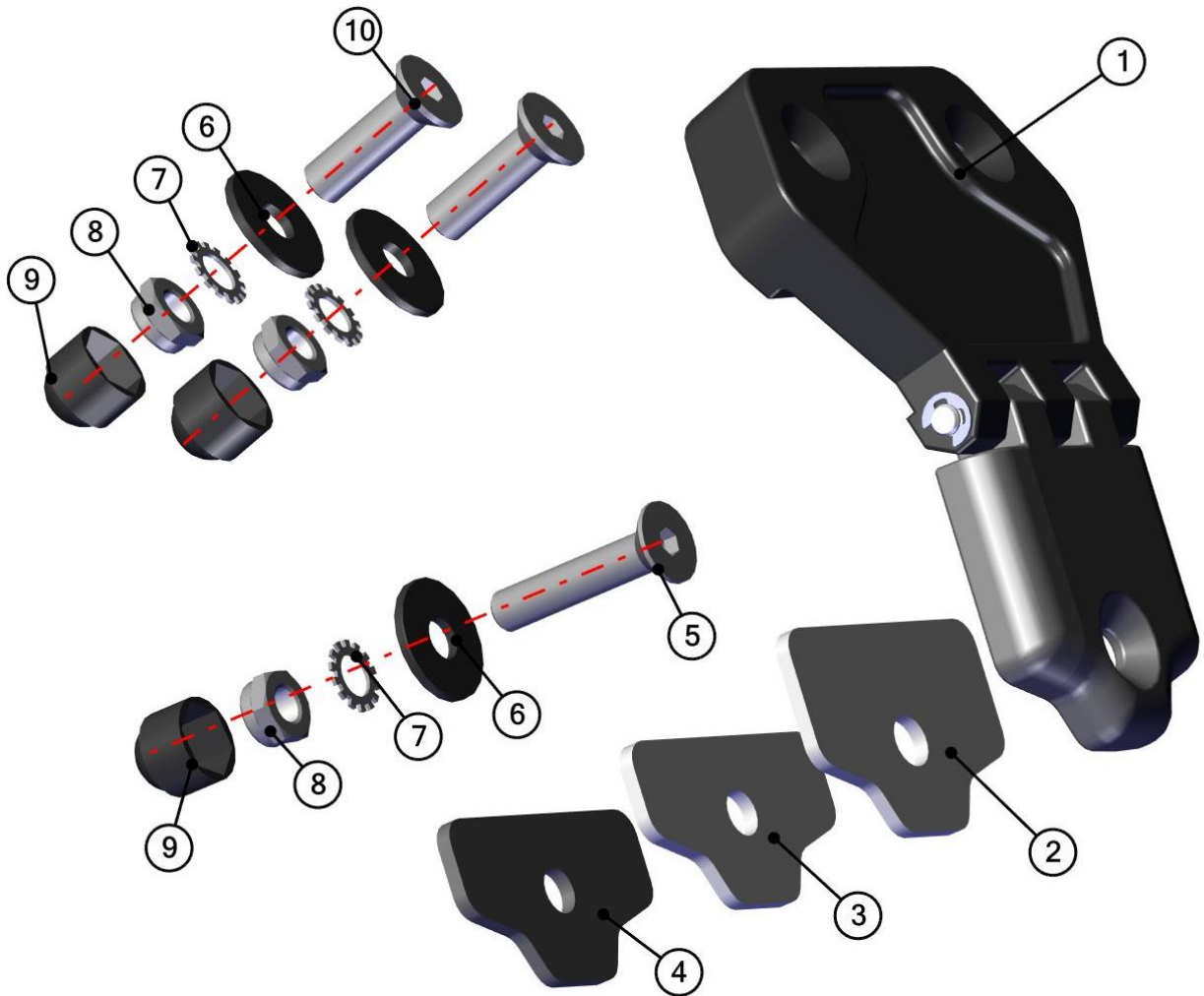


5

ID	Catalogue no.	Description	Qty
1	52S03U01-10M004	LEFT FRONT GLASS HINGE ASSEMBLY	1
2	52S03U01-10M008	RIGHT FRONT GLASS HINGE ASSEMBLY	1
3	00-10M005	WIPER MOTOR ASSEMBLY	1
4	001764	WIPER ARM	1
5	001765	WIPER LATH	1
6	52S03U01-10M001	FRONT GLASS WITH SEALING	1
7	00-20M005	GAS SPRING HOLDER ASSEMBLY	2
8	52S03U01-10M009	FRONT GAS SPRING ASSEMBLY	2
9	00-10M023	FRONT GLASS LOCK ASSEMBLY	2
10	52S03U01-10M006	RIGHT FRONT BOTTOM CONSOLE ASSEMBLY	1
11	52S03U01-10M005	LEFT FRONT BOTTOM CONSOLE ASSEMBLY	1

LEFT FRONT GLASS HINGE ASSEMBLY

52S03U01-10M004

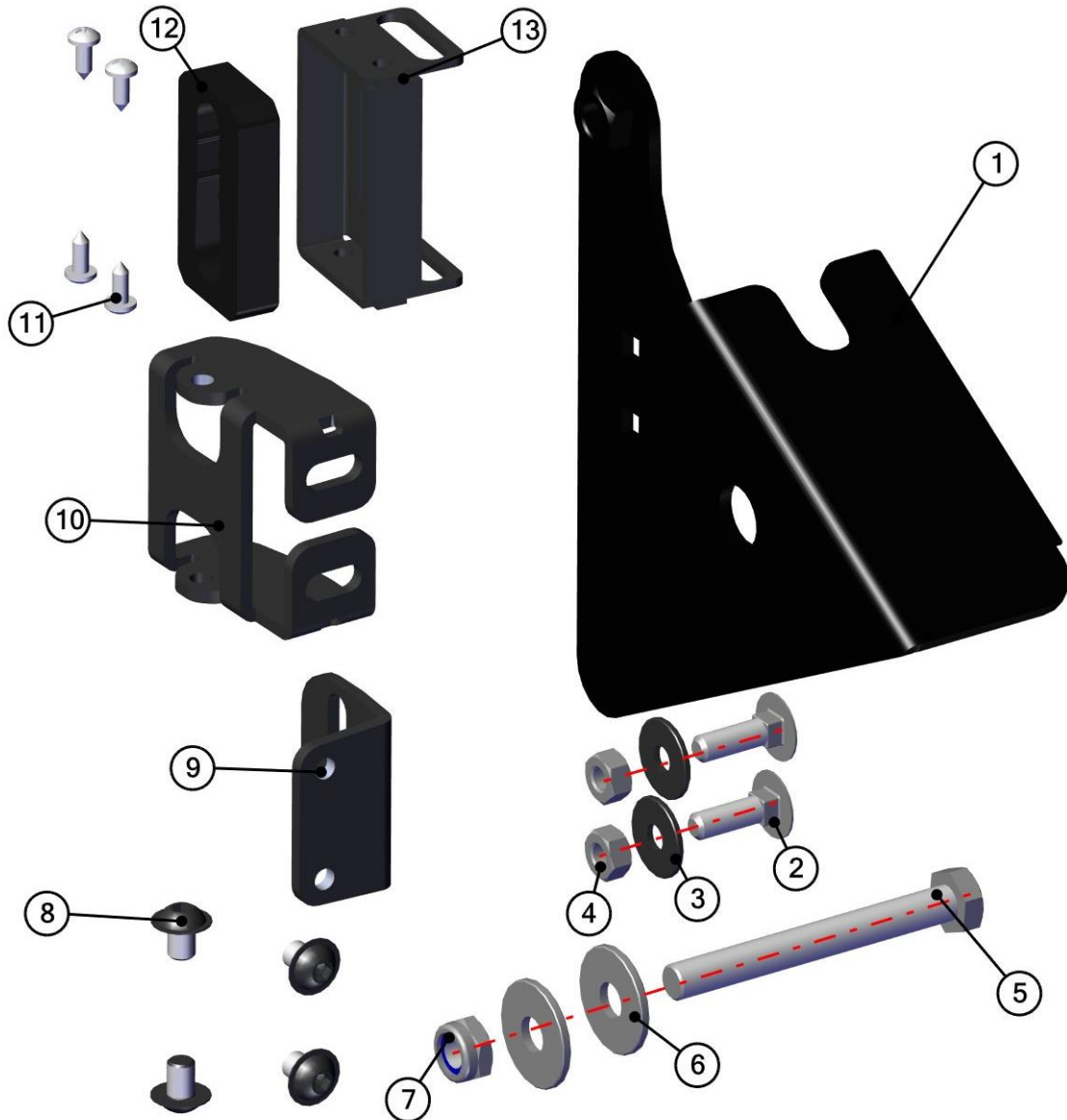


ID	Catalogue no.	Description	Qty
1	004478	LEFT FRONT HINGE	1
2	32S05U01-10-017	OUTER HINGE WASHER PLASTIC	1
3	32S05U01-10-018	INNER HINGE WASHER PLASTIC	1
4	32S05U01-10-019	INNER HINGE WASHER METAL	1
5	002607	SCREW M8x40	1
6	003322	WASHER 8 LARGE	3
7	001489	SERATTED-LOCK WASHER 8	3
8	001388	SELF-LOCKING NUT M8	3
9	001309	PLASTIC NUT COVER OK 13	3
10	002121	SCREW M8x30	2

For the RIGHT FRONT HINGE just use **004479**.

LEFT FRONT BOTTOM CONSOLE ASSEMBLY

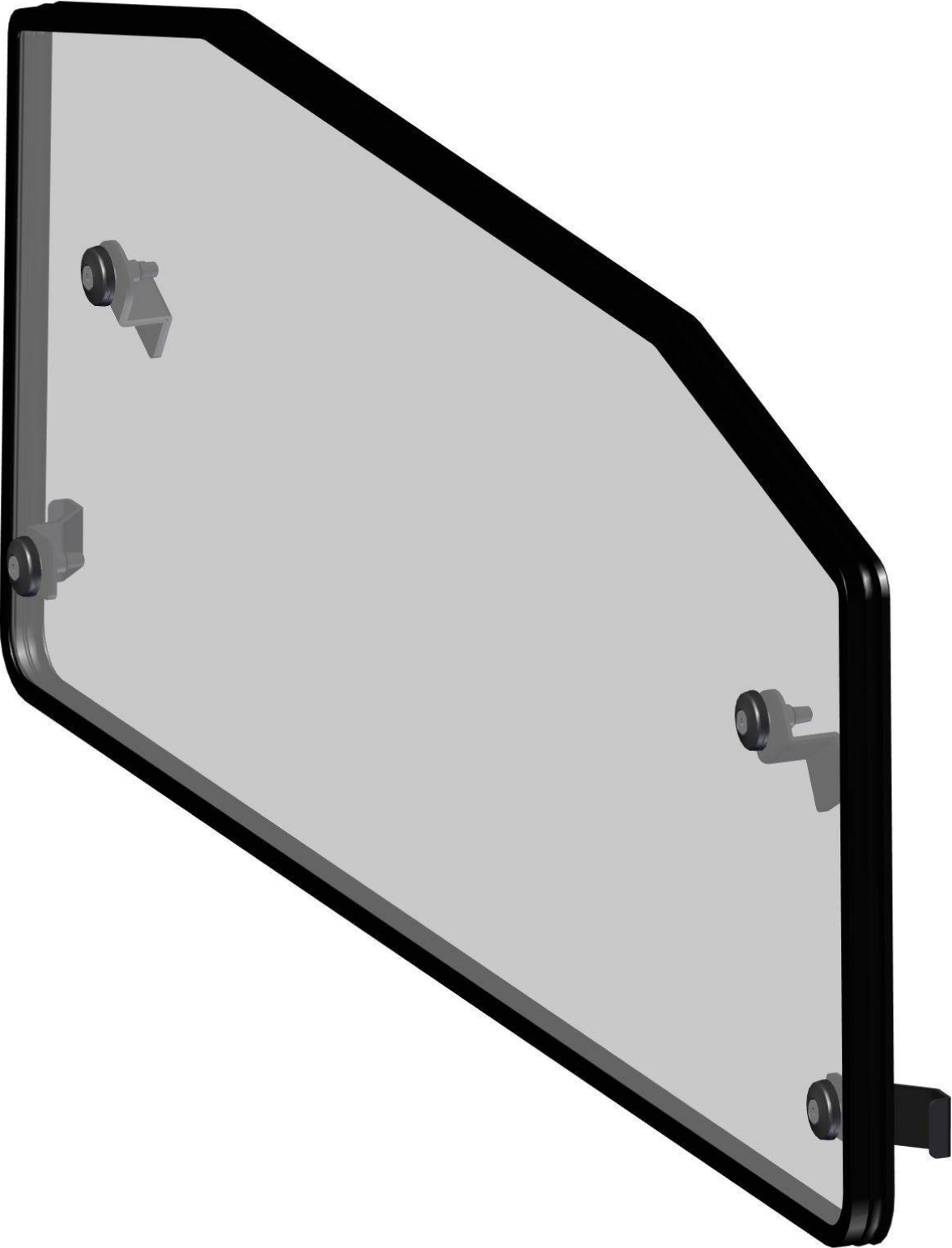
52S03U01-10M005

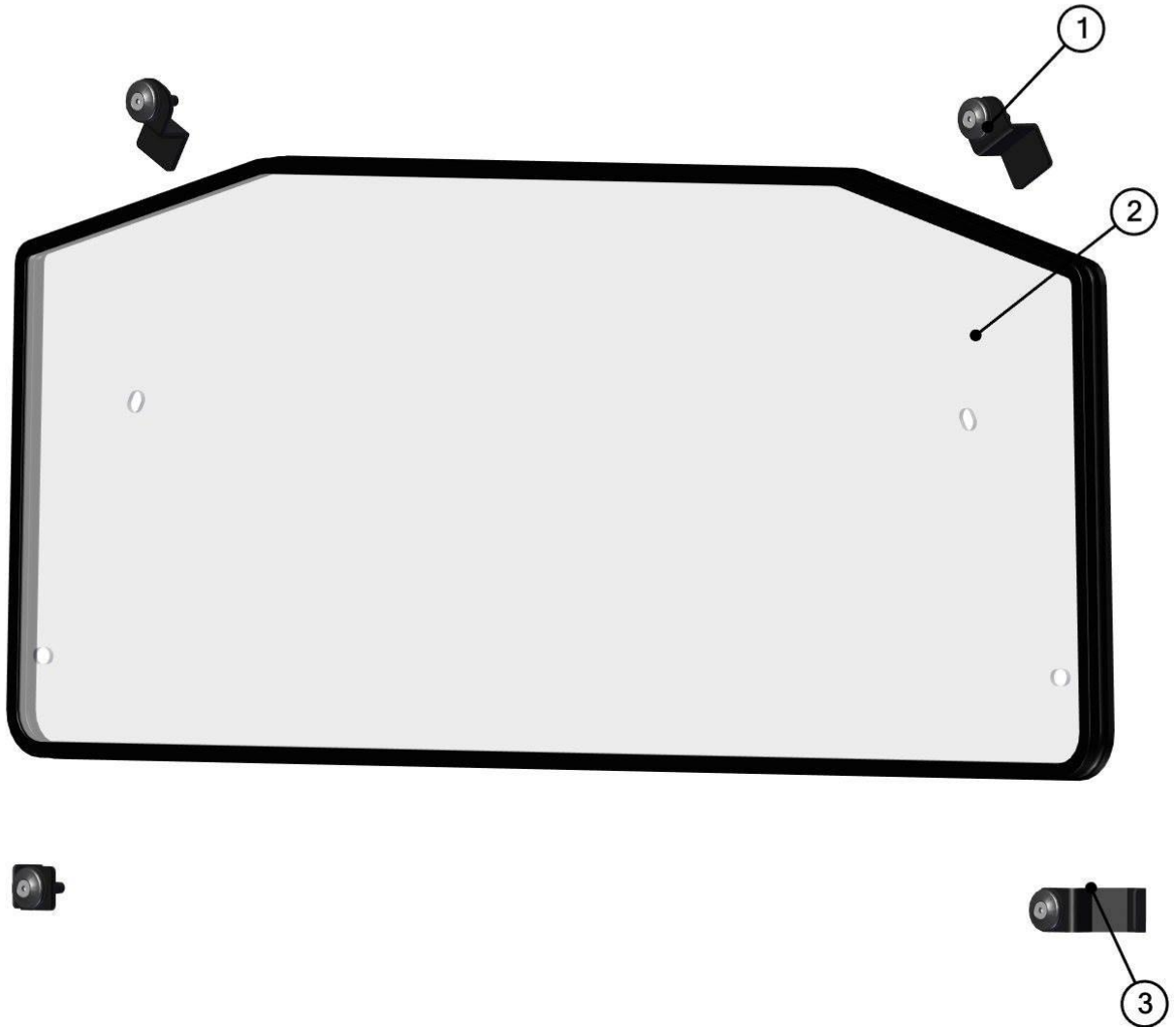


ID	Catalogue no.	Description	Qty
1	52S03U01-10W002	LEFT FRONT BOTTOM CONSOLE WELDED	1
2	004367	SCREW M8x20	2
3	004318	WASHER 6 LARGE	2
4	001425	NUT M6	2
5	002310	SCREW M8x70	1
6	001407	WASHER 8 LARGE	2
7	001388	SELF-LOCKING NUT M8	1
8	004383	SCREW M6x15	4
9	52S03U01-10-010	FRONT GLASS STOP HOLDER 1	1
10	52S03U01-10-007	FRONT GLASS STOP HOLDER 2	1
11	003936	SCREW 3.5x9.5	4
12	00-199U-011	FRONT GLASS STOP RUBBER	1
13	00-10W003	FRONT GLASS STOP HOLDER WELDED	1

For the RIGHT FRONT BOTTOM CONSOLE WELDED just use **52S03U01-10W001**.

REAR PANEL



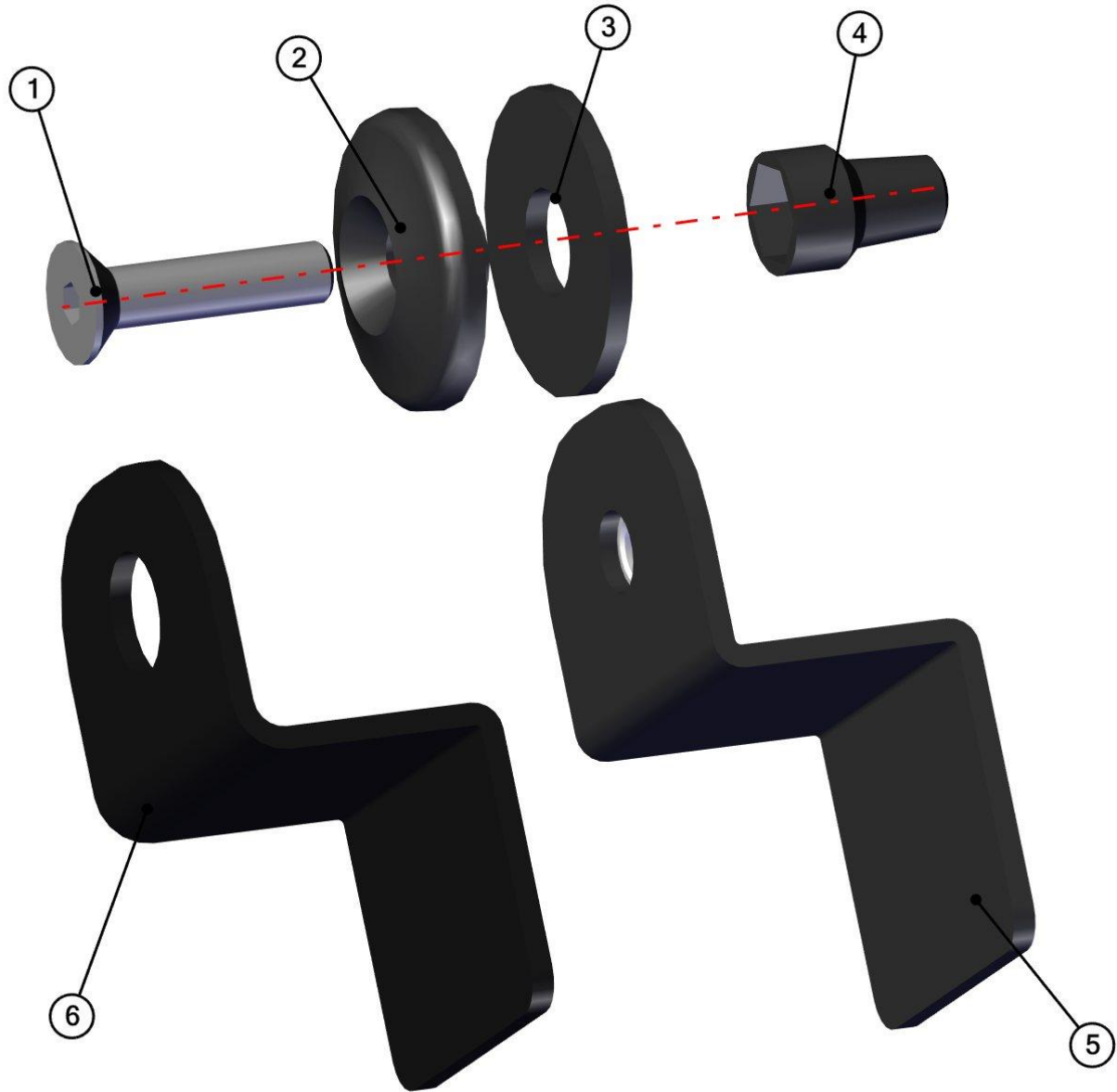


9

ID	Catalogue no.	Description	Qty
1	52S03U01-20M003	REAR UPPER HOLDER ASSEMBLY	2
2	52S03U01-20M002	REAR POLYCARBONATE WITH SEALING	1
3	52S03U01-20M001	REAR BOTTOM HOLDER ASSEMBLY	2

REAR UPPER HOLDER ASSEMBLY

52S03U01-20M003

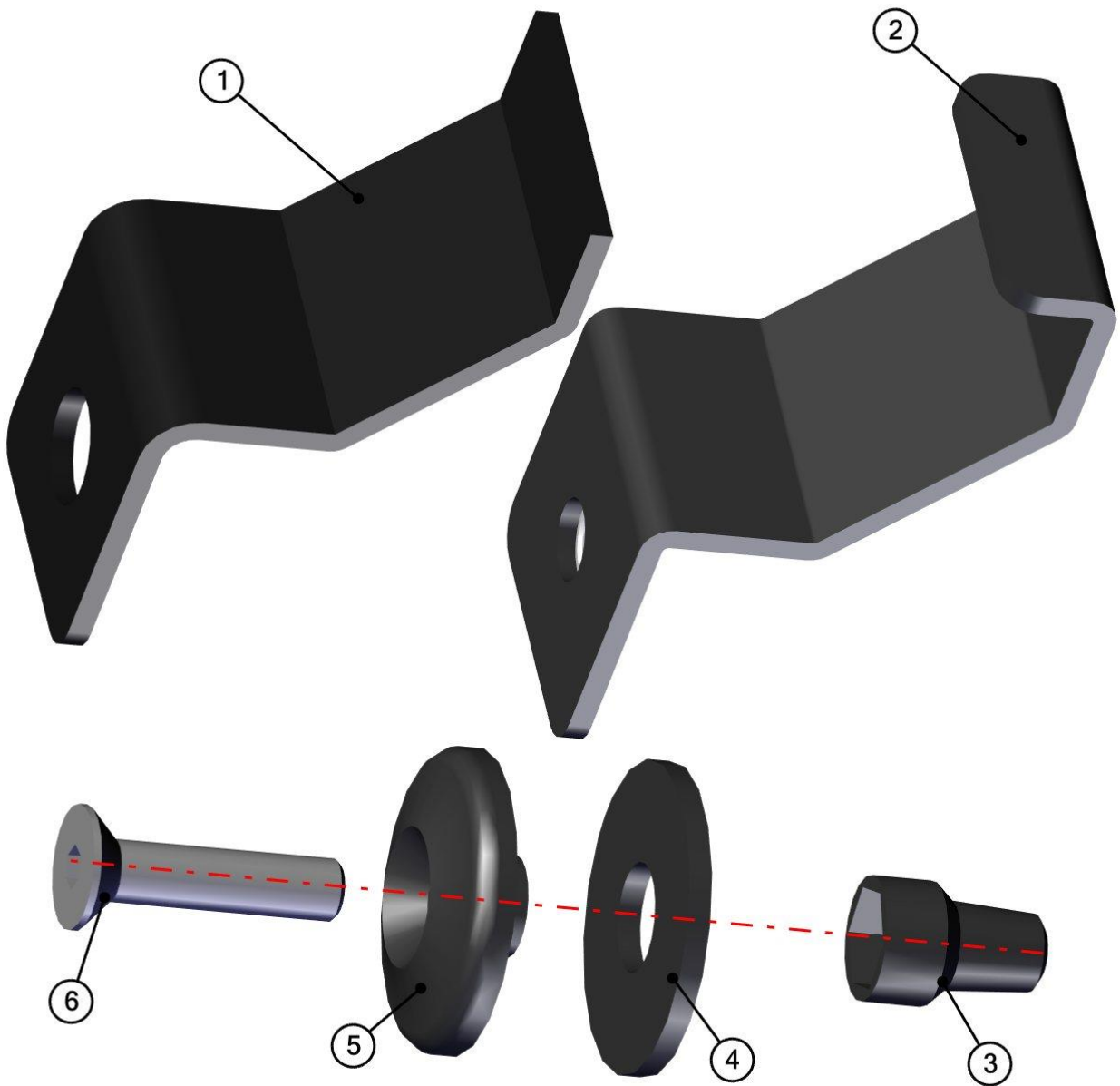


10

ID	Catalogue no.	Description	Qty
1	001760	SCREW M8x35	1
2	001429	PLASTIC WASHER	1
3	001428	RUBBER WASHER	1
4	001308	PLASTIC NUT COVER OK 13 LONG	1
5	52S03U01-20W002	REAR UPPER HOLDER WELDED	1
6	52S03U01-20-005	SEAL "SEMPERIT"	1

REAR BOTTOM HOLDER ASSEMBLY

52S03U01-20M001



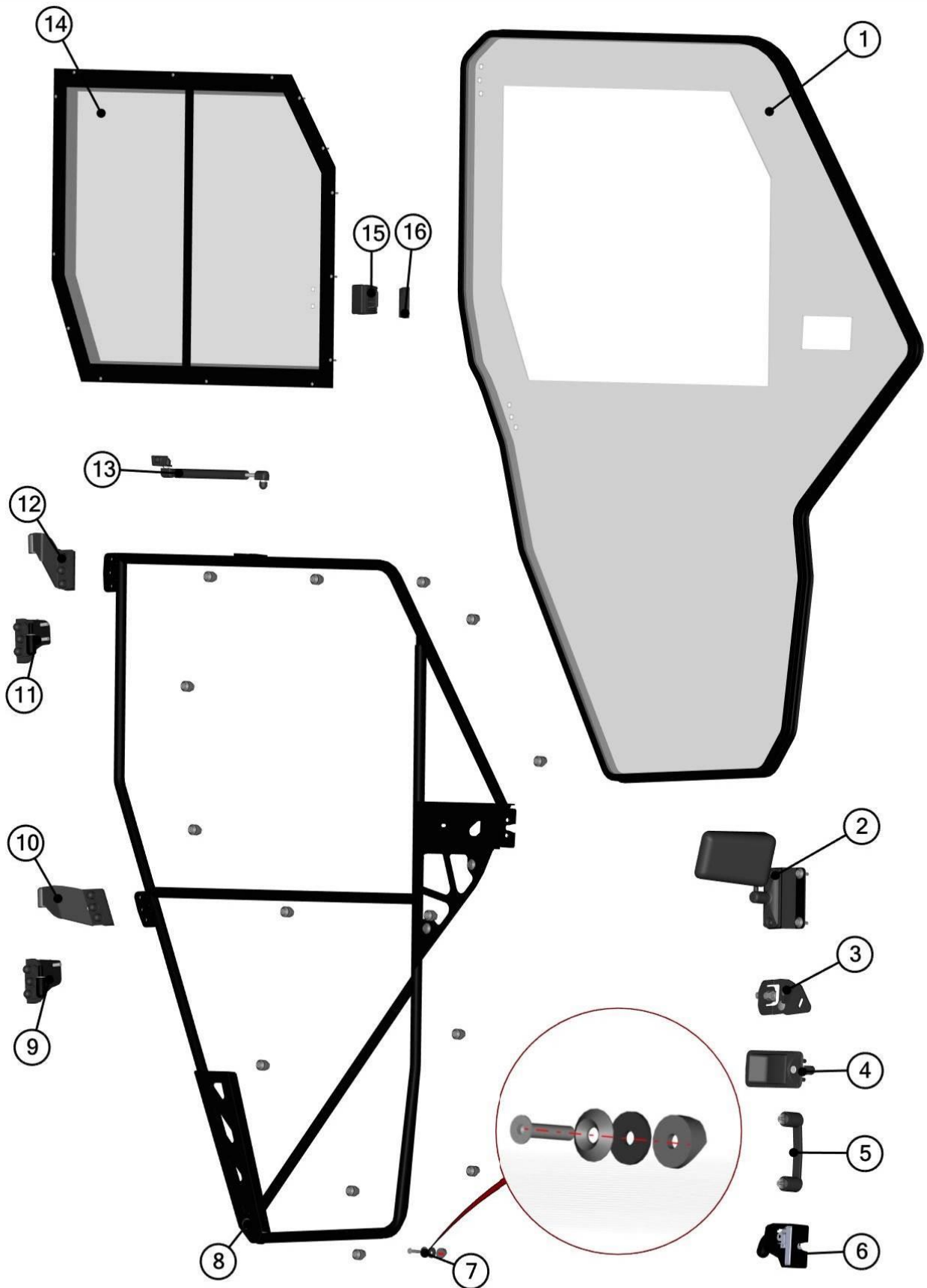
11

ID	Catalogue no.	Description	Qty
1	52S03U01-20-004	SEAL "SEMPERIT"	1
2	52S03U01-20W001	REAR BOTTOM HOLDER WELDED	1
3	001308	PLASTIC NUT COVER OK 13 LONG	1
4	001428	RUBBER WASHER	1
5	001429	PLASTIC WASHER	1
6	001760	SCREW M8x35	1

LEFT DOOR + RIGHT DOOR



12



13

LEFT TABLE

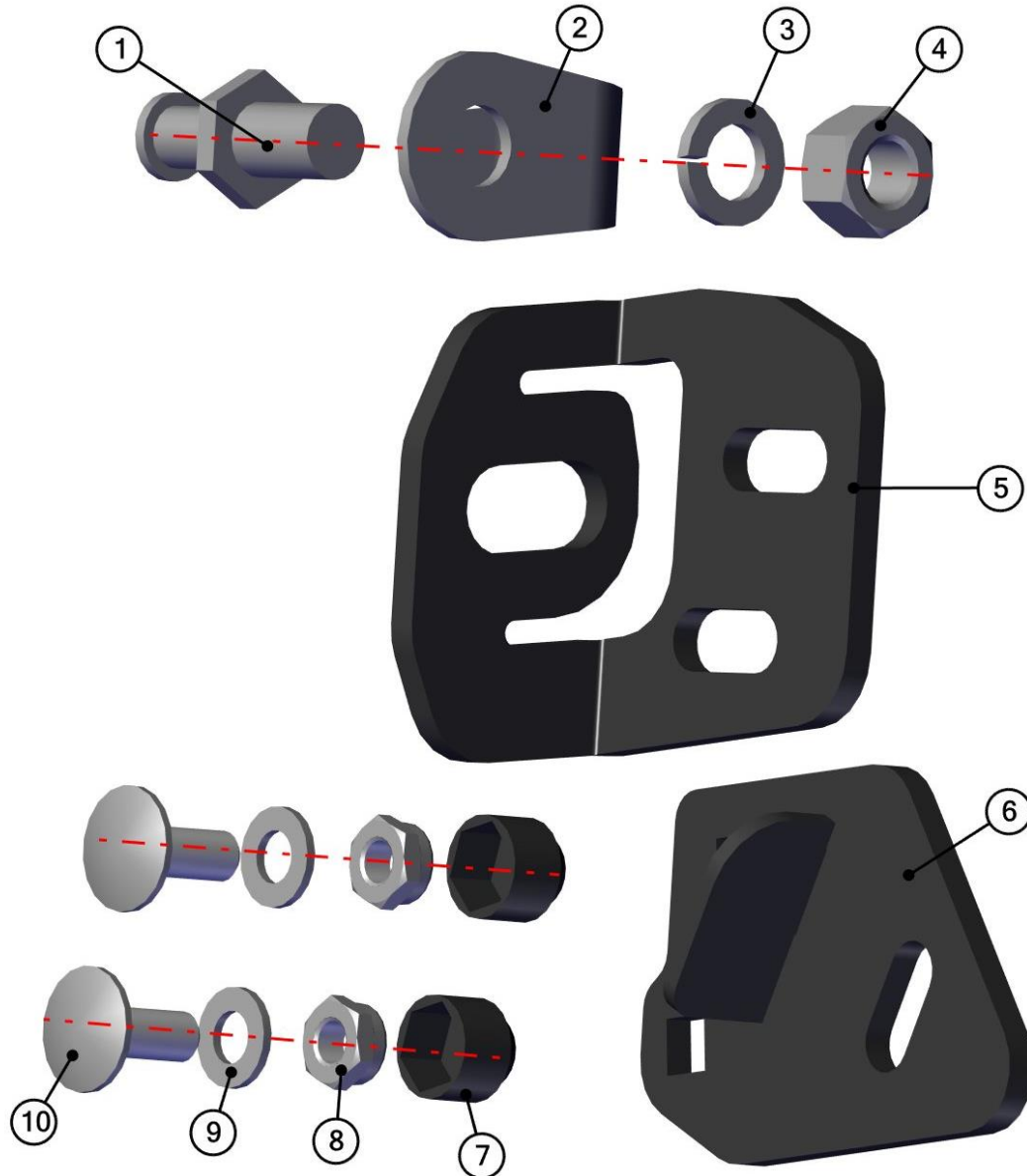
ID	Catalogue no.	Description	Qty
1	52S03U01-40M001	LEFT DOOR POLYCARBONATE	1
2	00-109U-M003	LEFT DOOR MIRROR ASSEMBLY	1
3	52S03U01-40M003	LEFT DOOR STOP ASSEMBLY	1
4	000841	OUTER DOOR LOCK	1
5	52S03U01-50M006	DOOR HANDLE ASSEMBLY	1
6	00-40M019	LEFT INNER DOOR LOCK	1
7	00-00M019	POLYCARBONATE FIXING ASSEMBLY	15
8	52S03U01-40W001	LEFT DOOR FRAME WELDED	1
9	52S03U01-40M011	LEFT BOTTOM FRAME HINGE ASSEMBLY	1
10	52S03U01-40M005	LEFT BOTTOM DOOR HINGE ASSEMBLY	1
11	52S03U01-40M012	LEFT UPPER FRAME HINGE ASSEMBLY	1
12	52S03U01-40M007	LEFT UPPER DOOR HINGE ASSEMBLY	1
13	52S03U01-50M010	GAS SPRING ASSEMBLY	1
14	52S03U01-40M004	LEFT WINDOW ASSEMBLY	1
15	00-40M008	DOOR GLASS LOCK	1
16	001762	DOOR GLASS STOP	1

RIGHT TABLE

ID	Catalogue no.	Description	Qty
1	52S03U01-50M001	RIGHT DOOR POLYCARBONATE	1
2	00-109U-M004	RIGHT DOOR MIRROR ASSEMBLY	1
3	52S03U01-50M003	RIGHT DOOR STOP ASSEMBLY	1
4	000841	OUTER DOOR LOCK	1
5	52S03U01-50M006	DOOR HANDLE ASSEMBLY	1
6	00-50M019	RIGHT INNER DOOR LOCK	1
7	00-00M019	POLYCARBONATE FIXING ASSEMBLY	15
8	52S03U01-50W001	RIGHT DOOR FRAME WELDED	1
9	52S03U01-50M011	RIGHT BOTTOM FRAME HINGE ASSEMBLY	1
10	52S03U01-50M005	RIGHT BOTTOM DOOR HINGE ASSEMBLY	1
11	52S03U01-50M012	RIGHT UPPER FRAME HINGE ASSEMBLY	1
12	52S03U01-50M007	RIGHT UPPER DOOR HINGE ASSEMBLY	1
13	52S03U01-50M010	GAS SPRING ASSEMBLY	1
14	52S03U01-50M004	RIGHT WINDOW ASSEMBLY	1
15	00-40M008	DOOR GLASS LOCK	1
16	001762	DOOR GLASS STOP	1

RIGHT DOOR STOP ASSEMBLY

52S03U01-50M003



ID	Catalogue no.	Description	Qty
1	000854	DOOR STOP PIN	1
2	000855	DOOR STOP HOOK	1
3	000857	DOOR STOP WASHER	1
4	000856	DOOR STOP NUT	1
5	52S03U01-50-011	DOOR STOP HOLDER	1
6	52S03U01-50W007	DOOR STOP HOLDER WELDED	1
7	001309	PLASTIC NUT COVER OK 13	2
8	001388	SELF-LOCKING NUT M8	2
9	001387	WASHER 8	2
10	002575	SCREW M8x20	2

For the LEFT DOOR STOP HOLDER just use **52S03U01-40-011**.
 For the LEFT DOOR STOP HOLDER WELDED just use **52S03U01-40W007**.

RIGHT BOTTOM FRAME HINGE ASSEMBLY

52S03U01-50M011



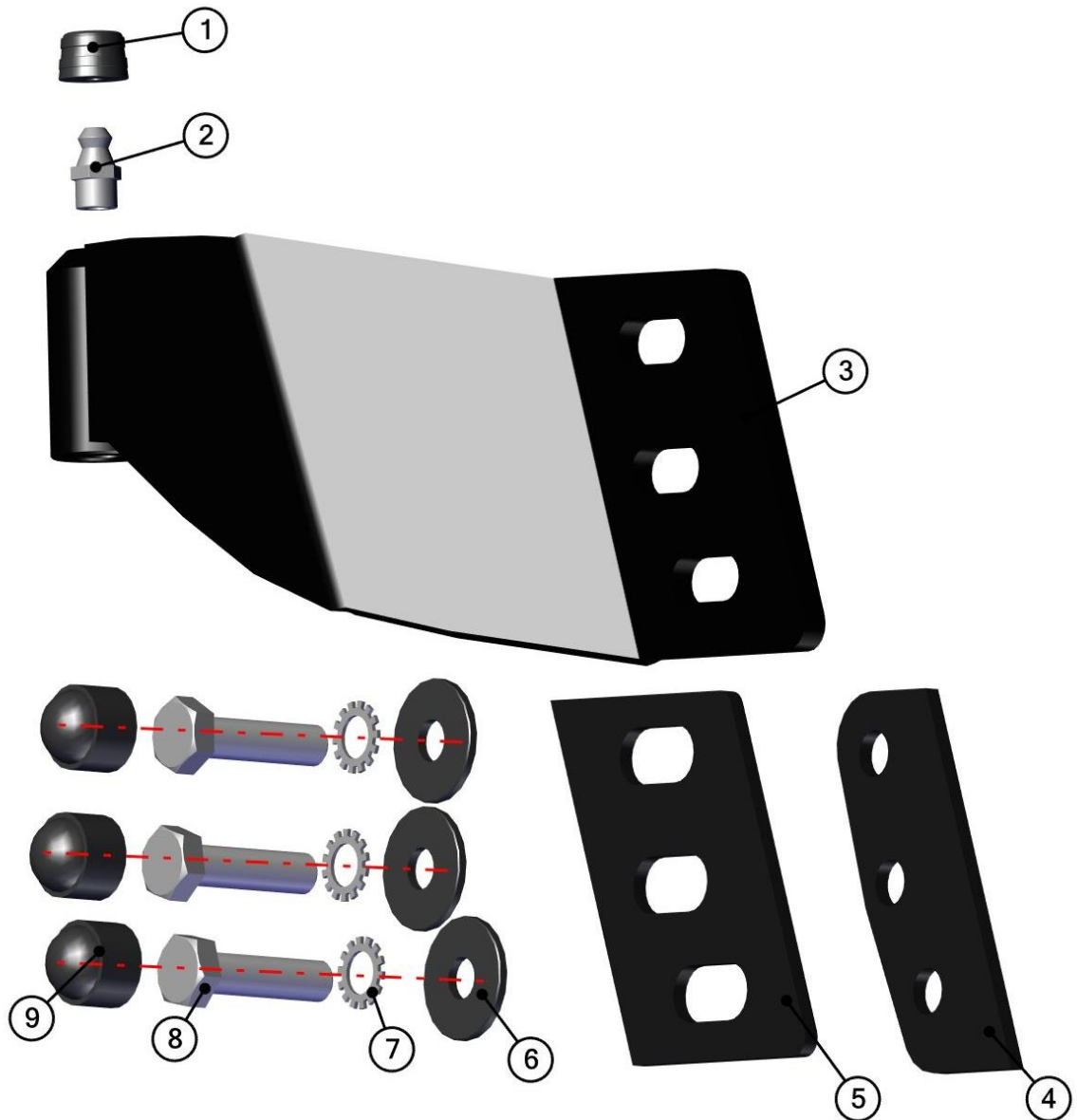
ID	Catalogue no.	Description	Qty
1	52S03U01-50W010	RIGHT BOTTOM FRAME HINGE BASE WELDED	1
2	52S03U01-50-038	FRAME HINGE BASE WASHER	1
3	004447	WASHER 10	1
4	52S03U01-50W009	RIGHT FRAME HINGE WELDED	1
5	001309	PLASTIC NUT COVER OK 13	5
6	001437	SCREW M8x20	3
7	001489	SERRATED-LOCK WASHER 8	3
8	003322	WASHER 8 LARGE	5
9	001411	SCREW M8x30	2

For the LEFT BOTTOM FRAME HINGE BASE WELDED just use **52S03U01-40W010**.

For the LEFT FRAME HINGE WELDED just use **52S03U01-40W009**.

RIGHT BOTTOM DOOR HINGE ASSEMBLY

52S03U01-50M005

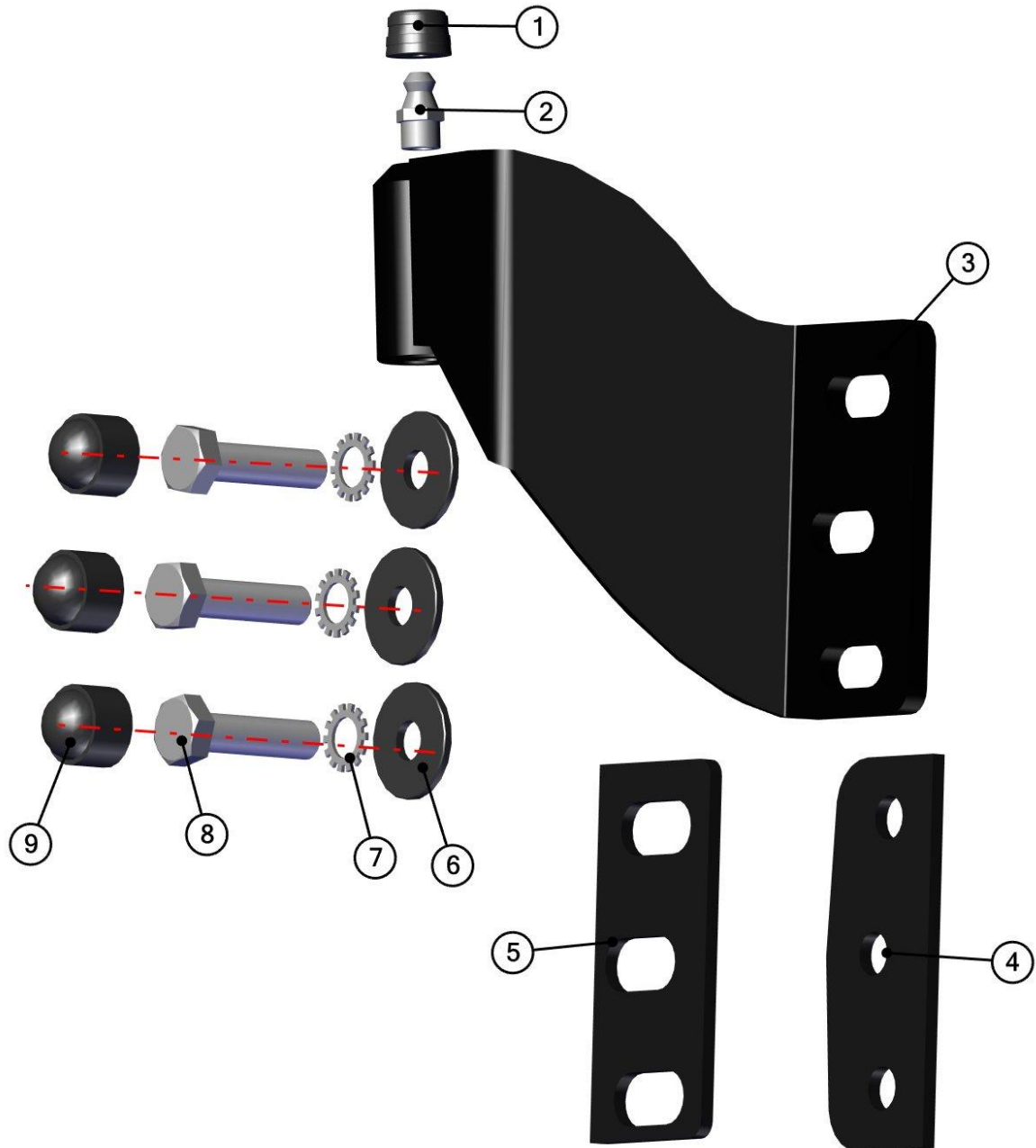


ID	Catalogue no.	Description	Qty
1	001431	LUBRICATOR COVER	1
2	001430	LUBRICATOR	1
3	52S03U01-50W006	RIGHT BOTTOM DOOR HINGE WELDED	1
4	52S03U01-50-019	BOTTOM HINGE WASHER 1	1
5	52S03U01-50-018	BOTTOM HINGE WASHER 2	1
6	003322	WASHER 8 LARGE	3
7	001489	SERATTED-LOCK WASHER 8	3
8	001411	SCREW M8x30	3
9	001309	PLASTIC NUT COVER OK 13	3

For the **RIGHT BOTTOM DOOR HINGE WELDED** just use **85S03U01-40W006**.

RIGHT UPPER DOOR HINGE ASSEMBLY

52S03U01-50M007



ID	Catalogue no.	Description	Qty
1	001431	LUBRICATOR COVER	1
2	001430	LUBRICATOR	1
3	52S03U01-50W005	RIGHT UPPER DOOR HINGE WELDED	1
4	52S03U01-50-021	UPPER HINGE WASHER 1	1
5	52S03U01-50-020	UPPER HINGE WASHER 2	1
6	003322	WASHER 8 LARGE	3
7	001489	SERRATED-LOCK WASHER 8	3
8	001411	SCREW M8x30	3
9	001309	PLASTIC NUT COVER OK 13	3

For the LEFT UPPER DOOR HINGE WELDED just use 52S03U01-40W005.

RIGHT UPPER FRAME HINGE ASSEMBLY

52S03U01-50M012



ID	Catalogue no.	Description	Qty
1	52S03U01-50W011	RIGHT UPPER FRAME HINGE BASE WELDED	1
2	52S03U01-50-036	UPPER FRAME HINGE WASHER	1
3	004552	HINGE PIN COVER	1
4	004447	WASHER 10	1
5	52S03U01-50W009	RIGHT FRAME HINGE WELDED	1
6	001309	PLASTIC NUT COVER OK 13	5
7	001437	SCREW M8x20	3
8	001489	SERRATED-LOCK WASHER 8	3
9	003322	WASHER 8 LARGE	5
10	001411	SCREW M8x30	1

For the LEFT UPPER FRAME HINGE BASE WELDED just use 52S03U01-40W011.

For the LEFT FRAME HINGE WELDED just use 52S03U01-40W009.

ELECTROINSTALLATION

Position	Catalogue no.	Description	Qty
1	004327	SWITCH WIPER /WASHER /OFF	1
2	000885	WASHER TANK	1
3	001576	WASHER MOTOR	1
4	001652	FUSE BOX 2x1	1
5	002764	WIPER MOTOR 12V	1
6	52S03U01-01M001	WIPER HARNESS	1
7	52S03U01-03M002	WASHER HARNESS	1
8	52S03U01-02M011	HEATER COVER	1
9	52S03U01-02-006	HEATER HOLDER	1
10	004307	HEATER	1
11	001571	BENDED HOSE	2
12	002491	AIR VALVE	1
13	002386	ELECTROMAGNETIC VALVE	1
14	000896	HEATER HOSE	1
15	002642	TIGHTENING STRAP 14-27	8
16	002739	AIR VENT	2
17	002702	HEATER SWITCH	1
18	002391	VALVE SWITCH	1
19	002502	"Y" COUPLING	2
20	52S03U01-02M006	HEATER HARNESS	1
21	001367	TIGHTENING STRAP 12-22	8
22	002643	TIGHTENING STRAP 21-38	4
23	002795	HOT AIR HOSE PVC	1
24	002705	AL. TAPE	1
25	002471	HOT WATER PUMP	1
26	52S03U01-02M008	HOT WATER PUMP HARNESS	1



Position : 1

Catalogue no.: 004327



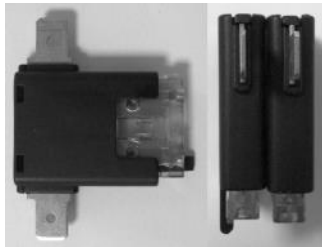
Position : 2

Catalogue no.: 000885



Position : 3

Catalogue no.: 001576



Position : 4

Catalogue no.: 001652



Position : 5

Catalogue no.: 002764



Position : 6

**Catalogue no.:
52S03U01-01M001**



Position : 7

**Catalogue no.:
52S03U01-03M002**






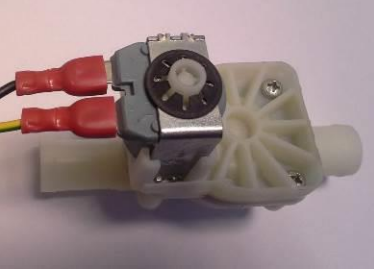





Position : 8

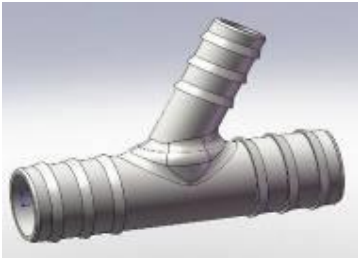







**Catalogue no.:
52S03U01-02M011**



Position : 9

**Catalogue no.:
52S03U01-02-006**

		
<p>Position : 10 Catalogue no.: 004307</p>	<p>Position : 11 Catalogue no.: 001571</p>	<p>Position : 12 Catalogue no.: 002491</p>
		
<p>Position : 13 Catalogue no.: 002386</p>	<p>Position : 14 Catalogue no.: 000896</p>	<p>Position : 15 Catalogue no.: 002642</p>
		
<p>Position : 16 Catalogue no.: 002739</p>	<p>Position : 17 Catalogue no.: 002702</p>	<p>Position : 18 Catalogue no.: 002391</p>

		
<p>Position : 19</p> <p>Catalogue no.: 002502</p>	<p>Position : 20</p> <p>Catalogue no.: 52S03U01-02M006</p>	<p>Position : 21</p> <p>Catalogue no.: 001367</p>
		
<p>Position : 22</p> <p>Catalogue no.: 002643</p>	<p>Position : 23</p> <p>Catalogue no.: 002795</p>	<p>Position : 24</p> <p>Catalogue no.: 002705</p>
		
<p>Position : 25</p> <p>Catalogue no.: 002471</p>	<p>Position : 26</p> <p>Catalogue no.: 52S03U01-20M008</p>	