

HardCabs

A DFK AMERICA COMPANY

INSTALLATION INSTRUCTIONS

ARCTIC CAT

PROWLER 700i HDX (2016)



SAFETY INSTRUCTIONS

Warning: Failure to heed all safety and operating instructions and warnings regarding use of this product can result in serious bodily injury.

READ PROPERLY COMPLETE ASSEMBLY INSTRUCTIONS BEFORE STARTING OF ASSEMBLY

Install all parts indicated in assembly instructions. Failure to fully assemble product before use could result in personal injury.

Assembly of product requires use of hand or power tools. If you are not experienced in using these types of tools, have product dealer do the install for you.

Some parts contain sharp edges, wear protective gloves if necessary.

Always keep your assembly area clean, uncluttered and well lit.

Keep visitors and children a safe distance away from the assembly area. Visitors should wear the same safety equipment described under.

Never operate your UTV with the cab doors open. Failure to properly latch the doors before moving the vehicle could result in serious injury.

Dress for safety. DO NOT wear loose clothing, gloves, neckties or jewelry if using power tools to assemble this product.

Insert all nut covers after you finish installation.

Never drive your UTV with the cab front window in open position. Failure to properly latch/lock front window before driving the vehicle could result in serious injury.

Please be careful NOT to break the plastic washers, if you're tightening screws with plastic washers use max torque of 3.7 foot-pound force (5 Nm)!!!

WARNING: For safety purposes, if the DFK Cab doors are removed, it is **MANDATORY** that the OEM manufactured Half Doors or Nets are **REINSTALLED** before operating the vehicle.

MAINTENANCE AND CLEANING

To clean polycarbonate surface use soapy water solution or other subtle means.

Dirt and dust wash by gently water stream and swipe only with wet or damp means in the direction from top to bottom.

The recommended frequency of cleaning of polycarbonate part is about 1 time per month or according to the actual degree of pollution.

*Do not use detergents that could scratch the surface plates.
(abrasives, harsh fabrics, etc.)*

*Do not use solvents or alkaline detergents or cleaners with ammonia
(ammonium hydroxide).*

Do not remove the impurities from the surface of the razor blades or other sharp items.

Do not clean cabin, when the polycarbonate plates are heated by the sun.

Do not use the squeegee, it could be scratched surface plates.

Do not clean the water current strength greater than 50 bar (WAP)

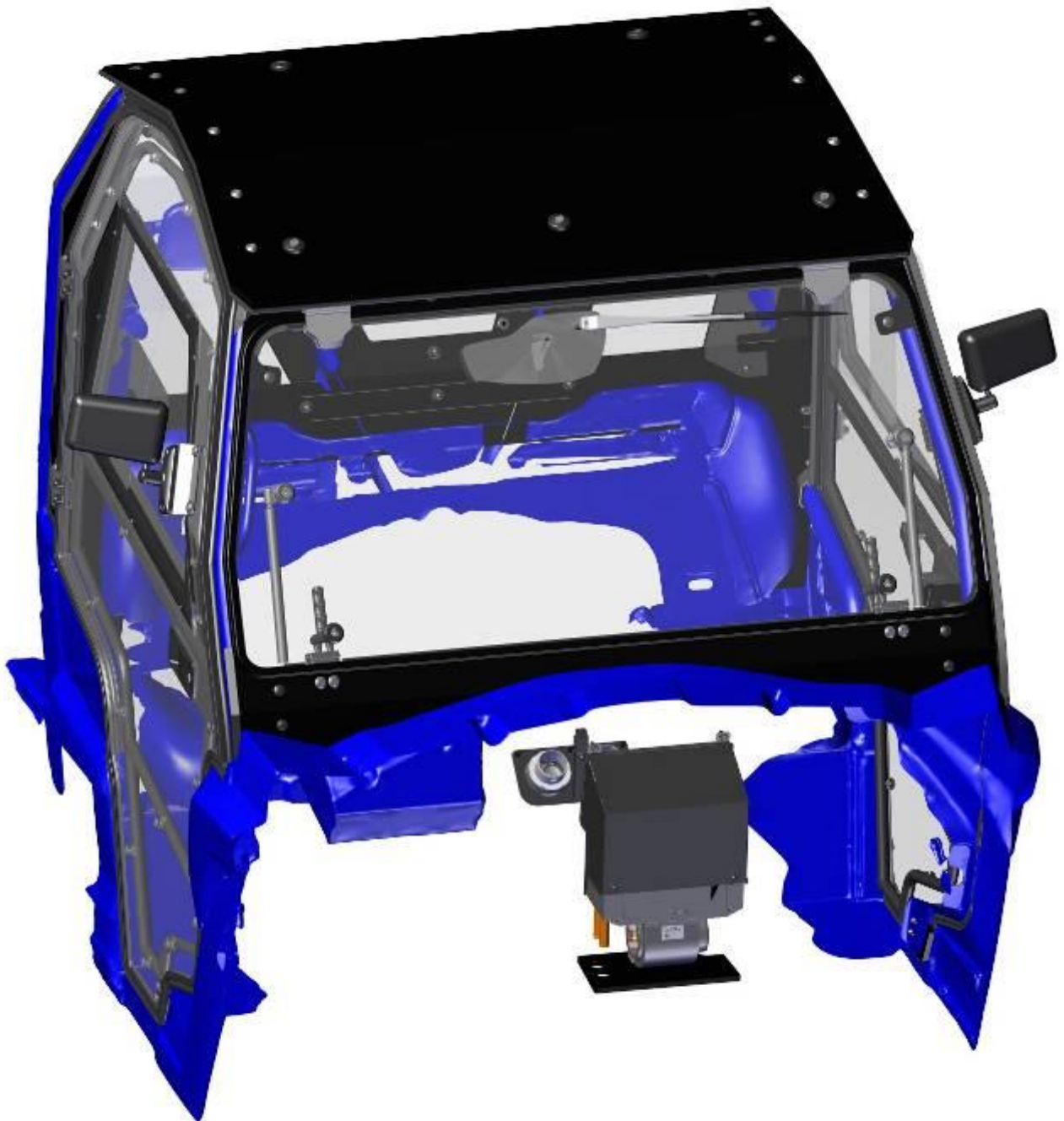
The manufacturer is not responsible for scratching the surface in case of failure to comply with the above instructions.

All bolted connections of cab must be by user at regular intervals checked and tightened.

PREPARATION FOR INSTALLATION:

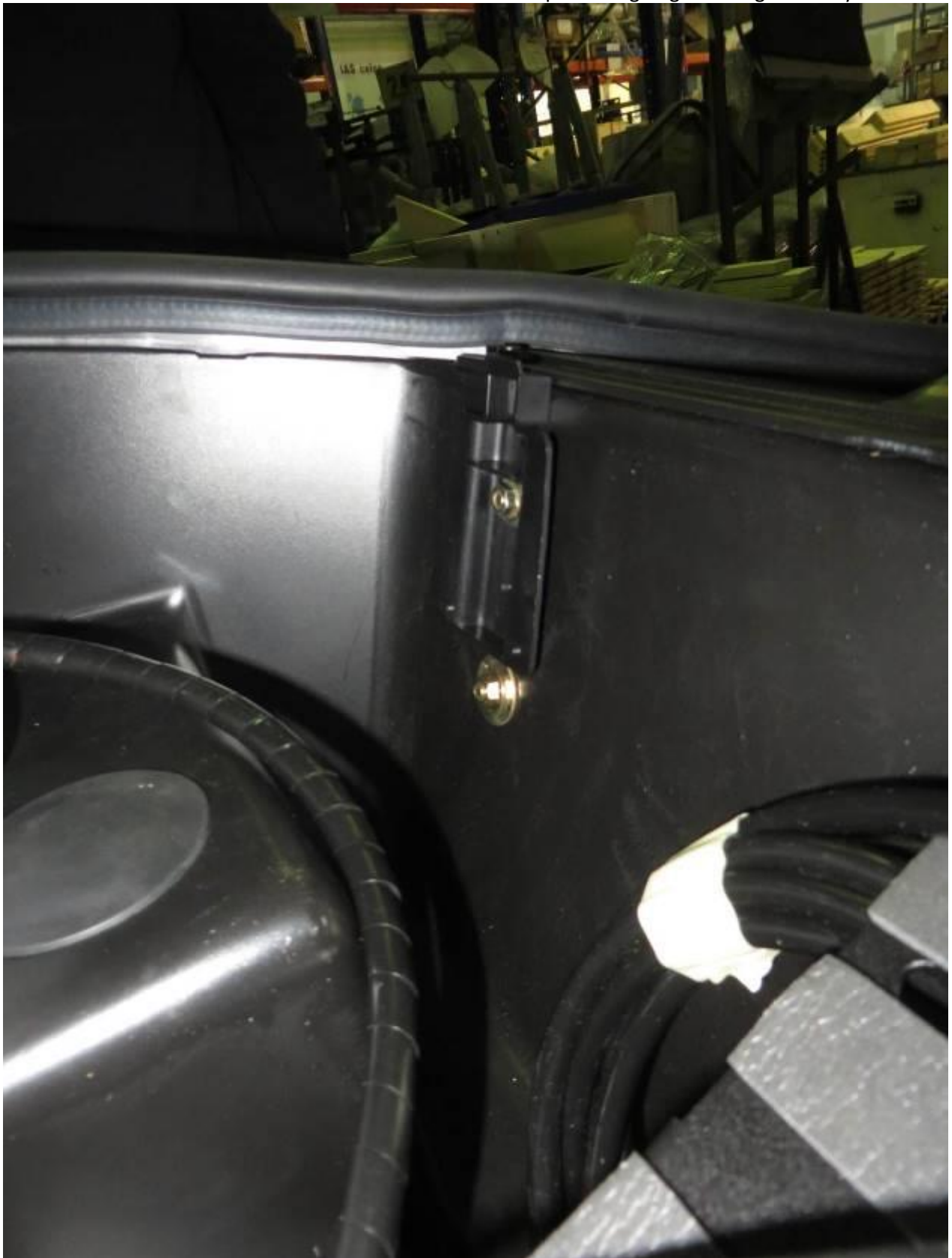
Uninstall all additional systems from the roller cages (work lights, rear mirrors, drink holders etc.)

[CAB PREVIEW](#)



ELECTROINSTALLATION 1.
WIPER/WASHER 1.

Install the washer tank holder into the front boot space using original fixing assembly.



Drill hole \varnothing 25mm into the front boot bottom (red circle) lead the washer harness branch through.



Connect the washer harness to the washer motor and press the washer tank assembly onto the holder.



Remove the empty switch slot cover from the dashboard (red rectangle) and lead the wiper/washer switch branch through.



Connect the wiper/washer switch harness to the switch. Press the switch into the dashboard.



Drill hole \varnothing 20 mm into the right upper side of the dashboard (red circle) lead the wiper harness branch with the washer tube through. Use the included grommet to cover the hole edge.



**FILL THE WASHER TANK WITH THE WASHER LIQUID BEFORE FIRST USAGE.
DO NOT CONNECT TO THE ORIGINAL ELECTROINSTALLATION YET!.**

HEATER

IMPORTANT

IT IS ABSOLUTELY NECESSARY TO TAKE OUT THE RUBBER PLUGS FROM THE HEATER TUBES.



Place the Heater EPDM into the front boot space and drill holes $\varnothing 27\text{mm}$ into the front boot floor in accordance with the EPDM holes (red circle). Lead the Hot water hoses through.



Connect the heater hoses to the heater and fix by tightening straps.



Place the heater into the front boot space. Drill holes $\varnothing 8\text{mm}$ in accordance with the heater holder holes. Fix the holder to the boot wall by included rubber rivets (red circles).



Cut FOUR holes $\varnothing 50\text{mm}$ into the boot wall above the heater assembly.



Remove the middle dashboard rubber cover (red circle).



Cut TWO holes $\varnothing 50$ to the central dashboard space (red circles).
Drill hole $\varnothing 16$ mm to the bottom part of the space (blue circle).



Connect the hot air hoses PVC to the heater and fix by included Aluminium tape.



Connect the heater to the heater harness branch and lead the harness branch through the dashboard.
Use the smaller hole from previous page.

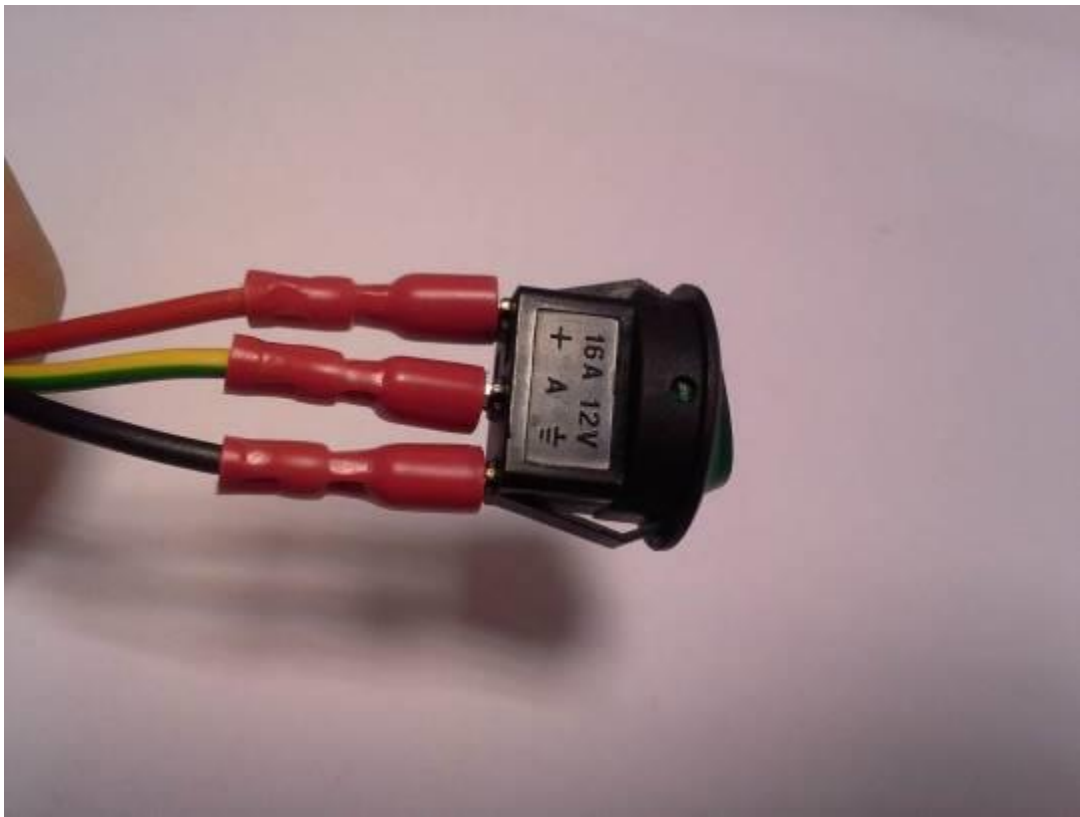


Lead the hot air hoses PVC through the front boot wall. And through the dashboard.
Leave two of the ends under the dashboard.

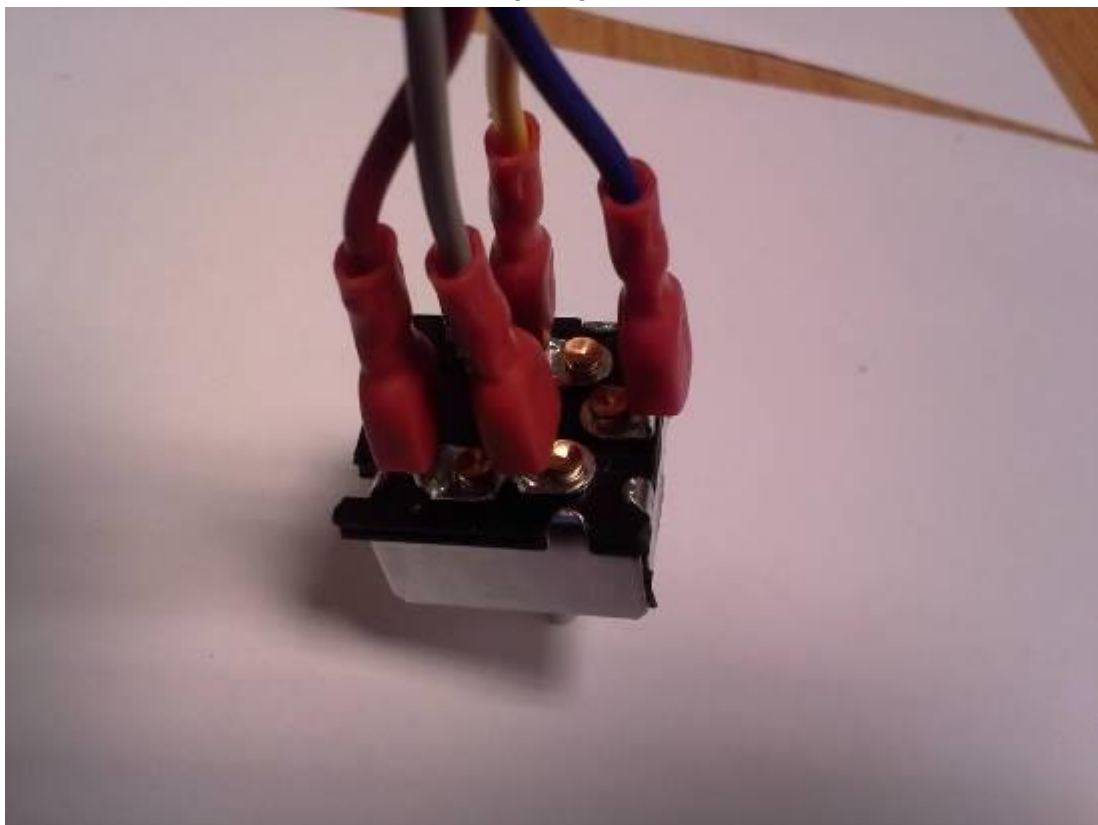


Connect the heater switch harness branches to the switches
(these are pre installed on the dasboard cover)

VALVE SWITCH DETAIL



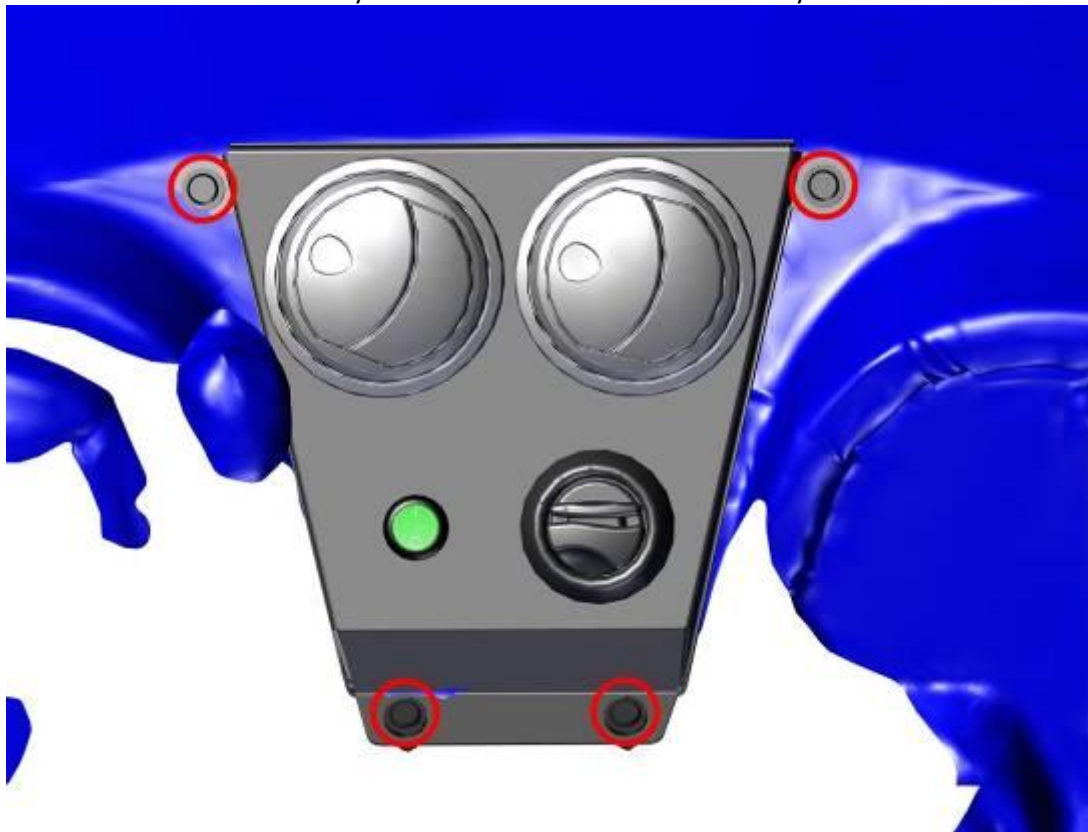
HEATER SWITCH DETAIL



Cut the upper hoses to the correct length and connect them to the pre installed air vents.
Fix the hoses by tightening straps.



Place the dashboard cover into the position and drill holes $\varnothing 8\text{mm}$ into the dashboard in accordance with the holders holes if necessary. Fix the cover with the dashboard by included rubber rivets.



Place the bottom air vents holder into the position, cut the bottom dashboard cover in order to fit the air vents (red lines). Fix air vents holder with the dashboard ledge by included fixing assembly.



Fix the bottom air vent holder to the dashboard by included rubber rivet. If necessary drill holes \varnothing 8mm to the dashboard in accordance with holders holes (red circle).

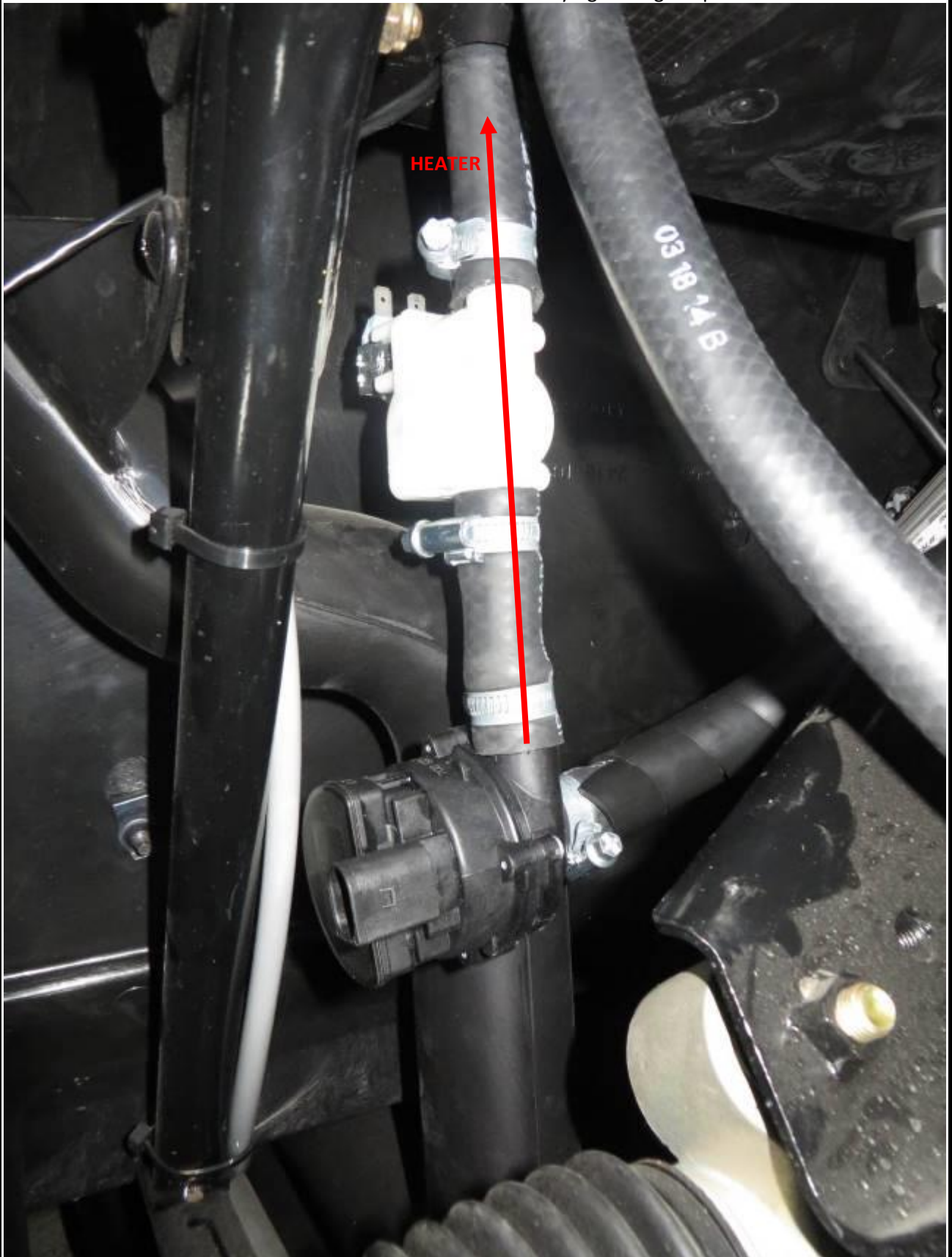


Connect the air hoses PVC to the air vents and fix by tightening straps.

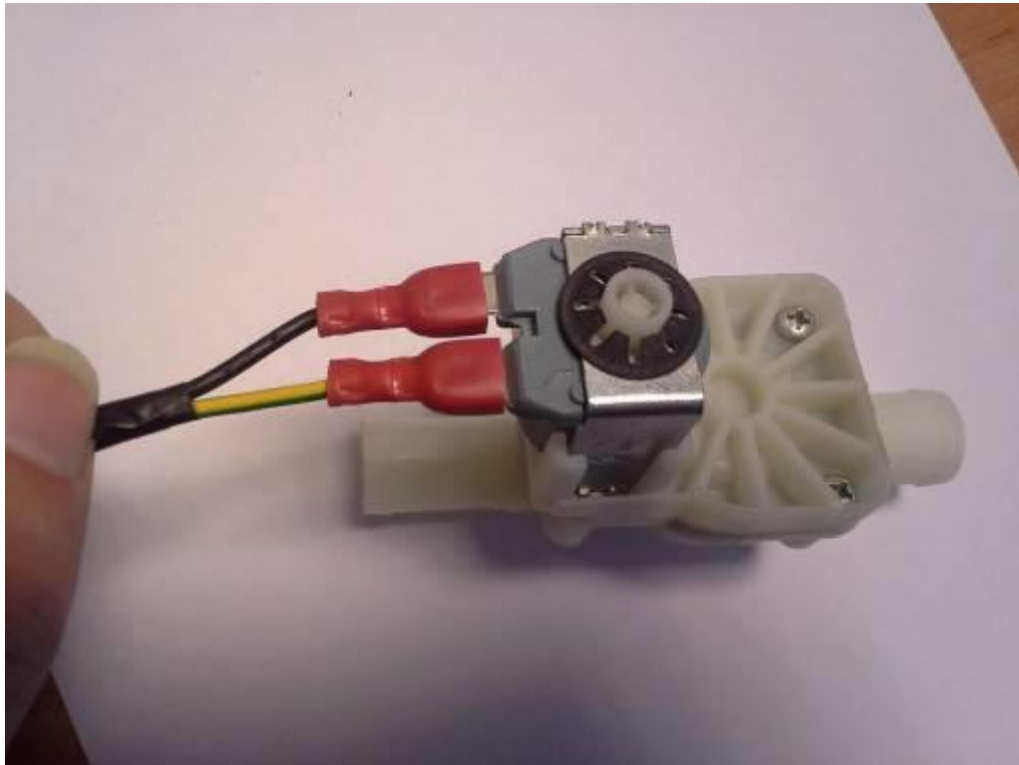


SEE NEXT PAGES

Cut the heater hoses and install el. valve and hot water pump onto the input.
Make sure that orientation is correct. And fix them by tightening straps on both sides.



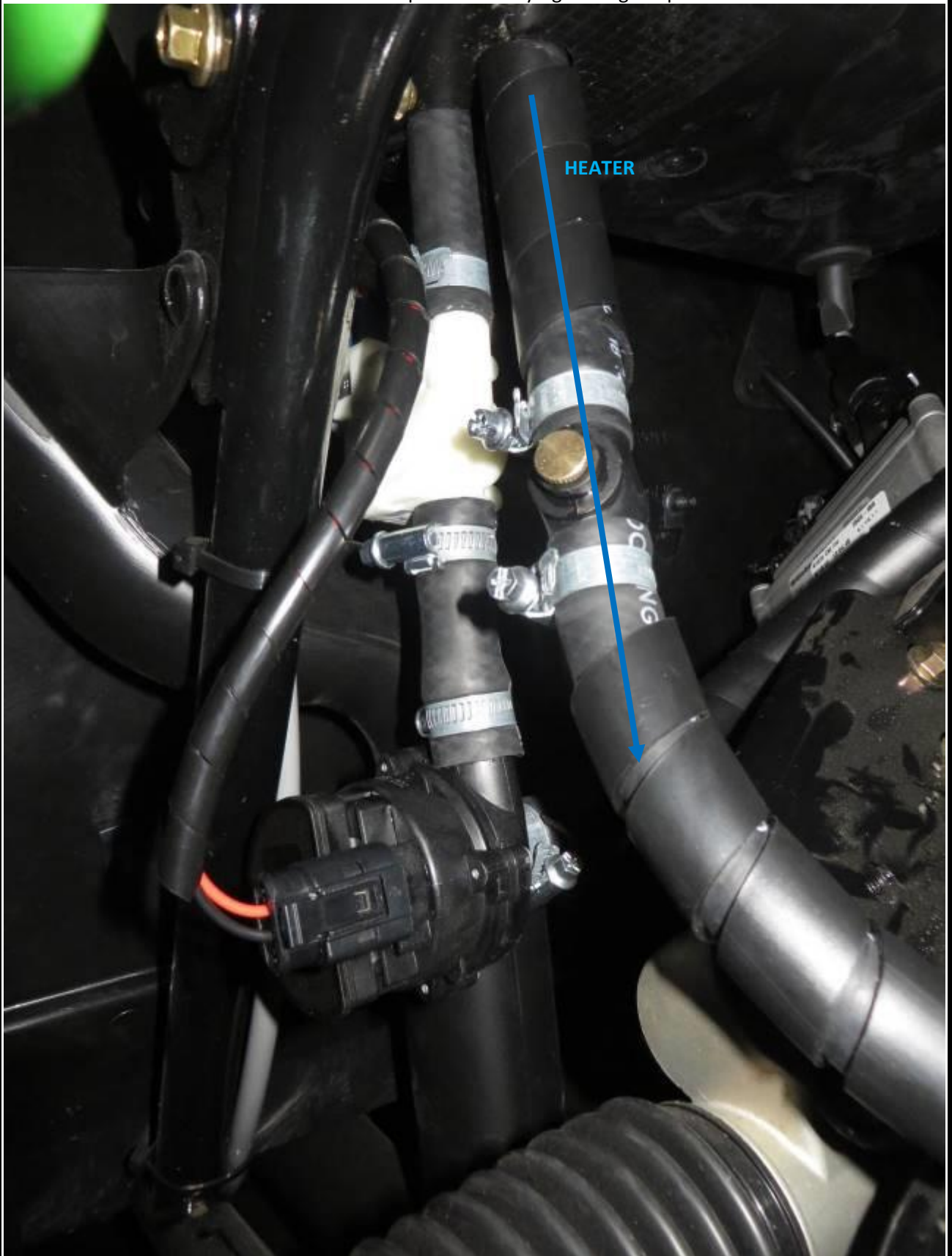
Connect the el. valve to the valve harness branch and hot water pump to the pump harness branch.
EL. VALVE DETAIL



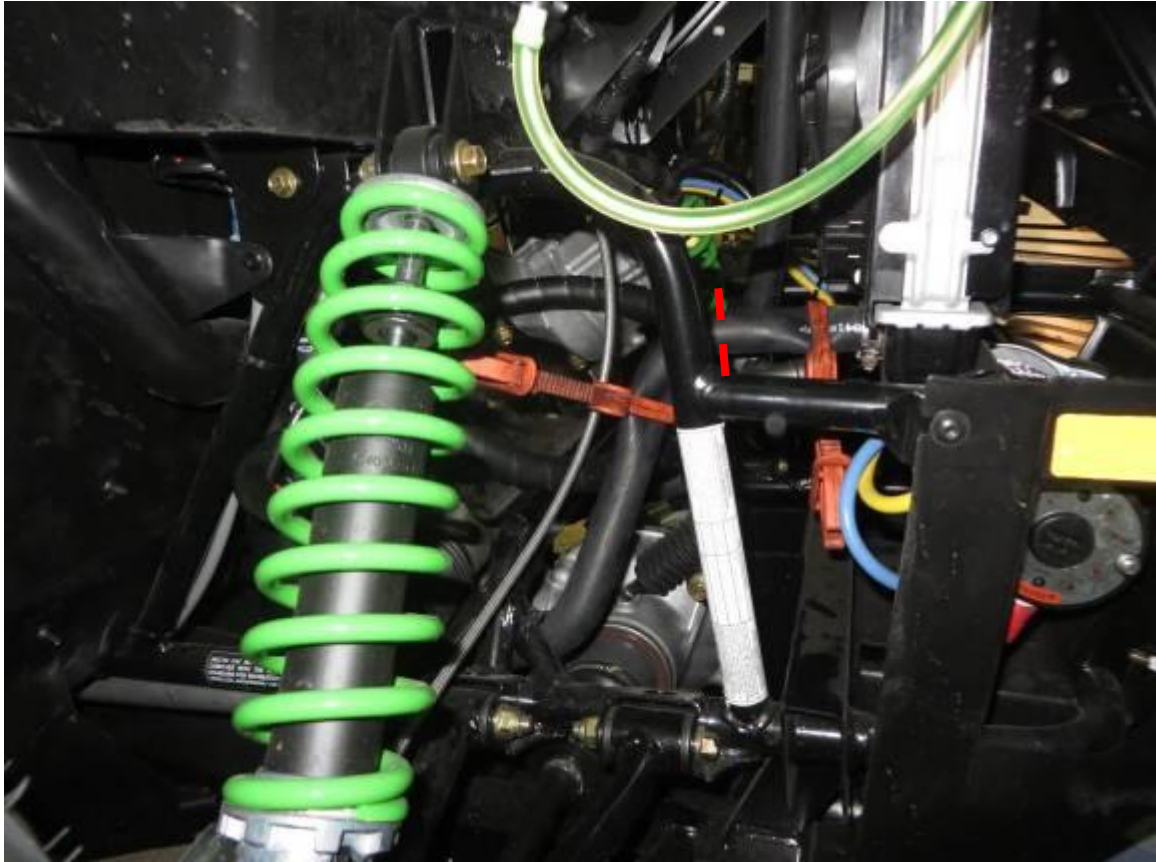
HOT WATER PUMP DETAIL



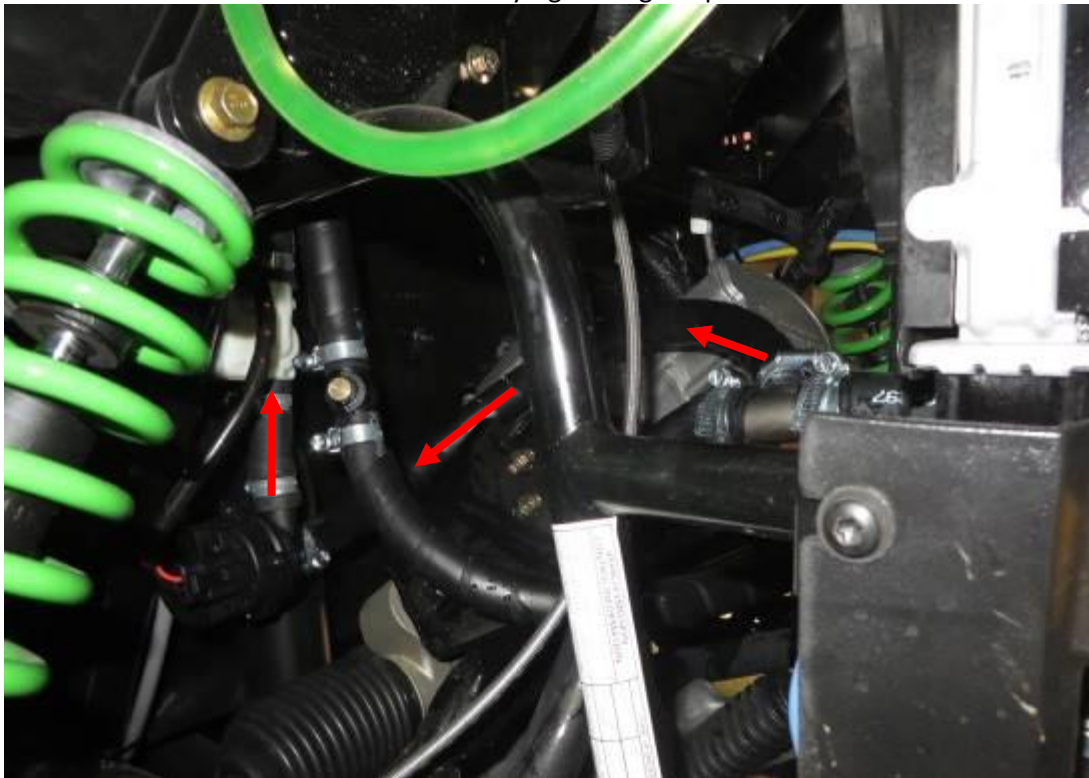
Install the air vent onto the output. And fix by tightening straps on both sides.



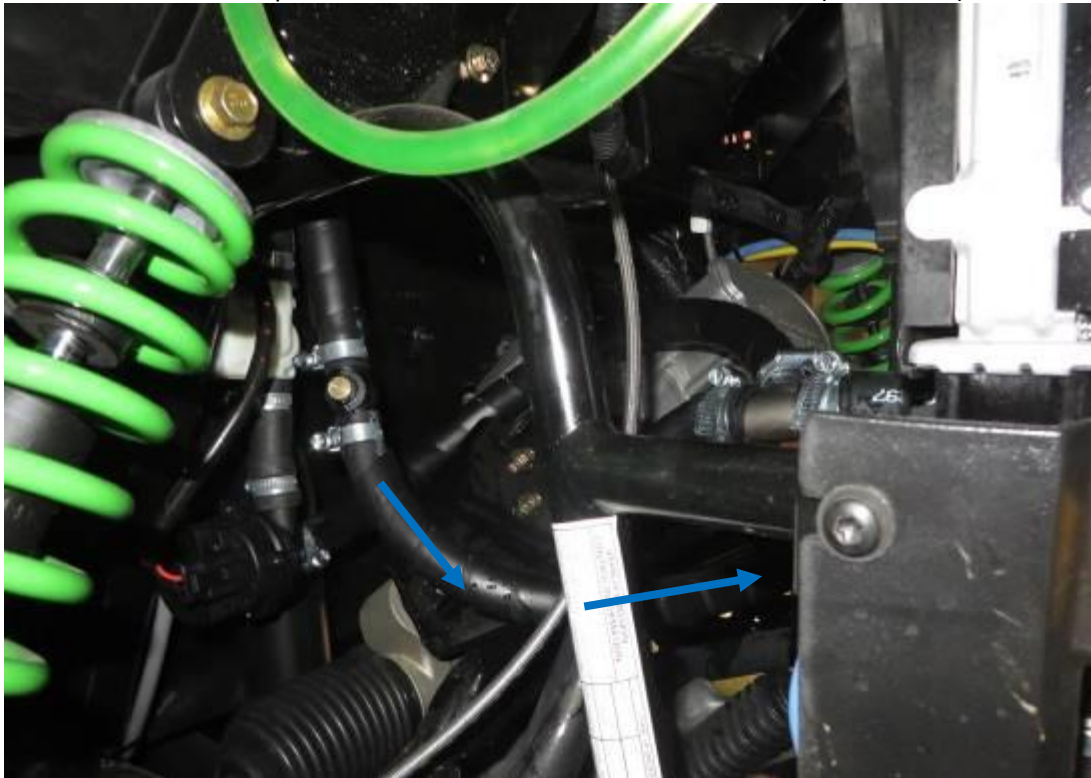
Use the specialized clamps onto the original hot water tube to prevent the cooling system from bleeding out. Cut the hose between the clamps (red line).



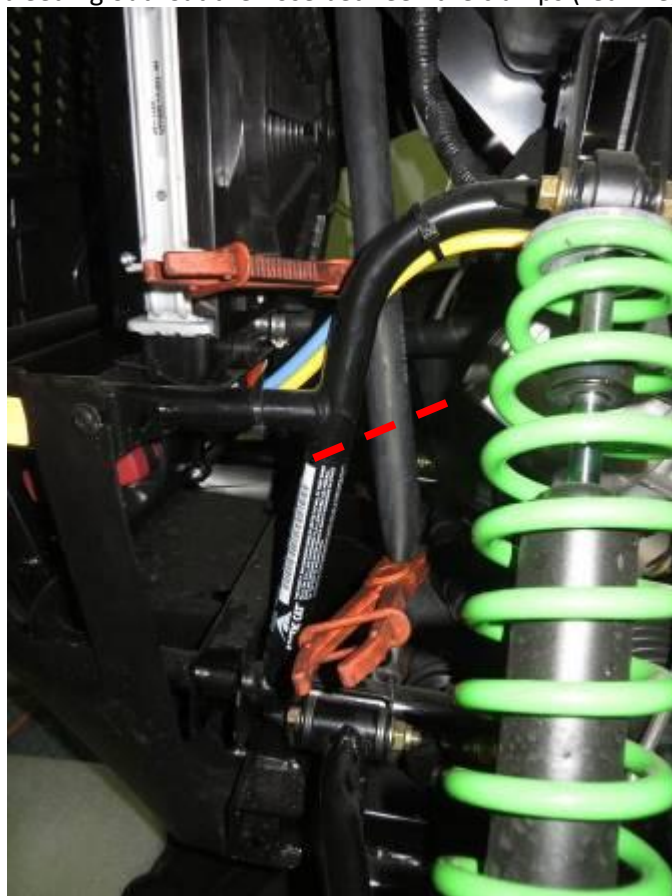
Install the “Y” coupling to the tube and connect the input heater hose to the “Y” coupling. Fix all ends by tightening straps.



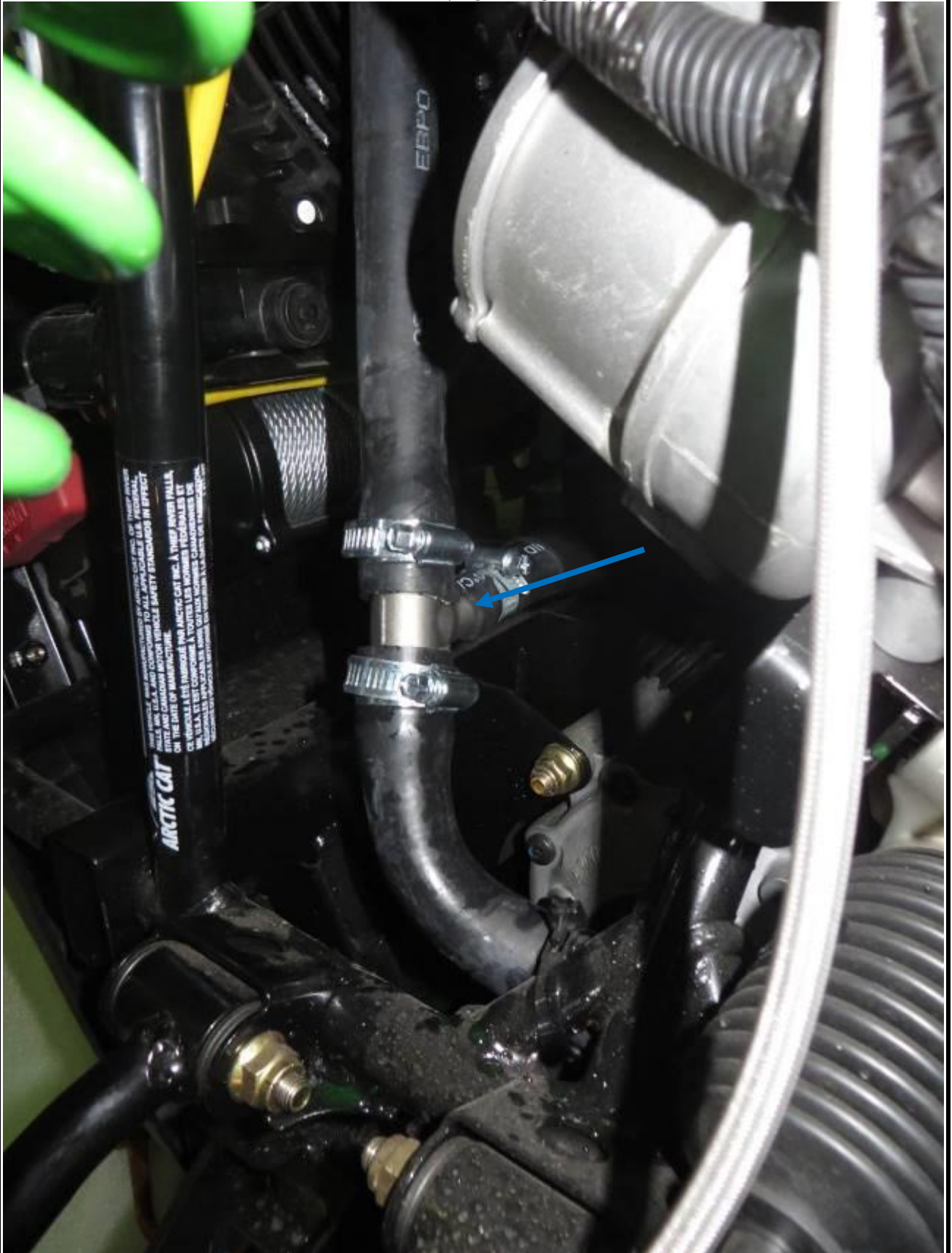
Lead the output heater hose to the left side of the vehicle (blue arrow).



Use the specialized clamps onto the original cool water tube to prevent the cooling system from bleeding out. Cut the hose between the clamps (red line).



Install the "Y" coupling to the tube and connect the output heater hose to the coupling.
Fix all ends by tightening straps.



24

Connect the heater harness to the original electroinstalation.



25

It is absolutely necessary to bleed the air out of the UTV's engine cooling system. Incomplete bleeding of cooling system can result in engine damage. If you don't have sufficient experience with this process, we strongly recommend professional service technician assistance. We are not responsible for damages when cooling system bled incompletely. Please note that additional heater system will absorb more than 2 liters of coolant fluid.

- 1. Important: After the heater system installed check the system for leaks. Turn on the electric vent switch and confirm that the engine is cold. Start the engine and wait until engine warms up.***

Important: Always check engine temperature – if it overheats turn off engine.

- 2. To achieve engine operating temperature depress the accelerator to increase the engine RPM. This will increase the pressure and flow of the water pump forcing more coolant through the heater. After operating temperature reaches turn off engine and open it. Trapped air should come out from heater system throughout cooler. Repeat this procedure until heater/cooling system is completely bled out. Fill the cooling liquid into the cooler very carefully.***

COOLER CAP IS HOT, USE GLOVES

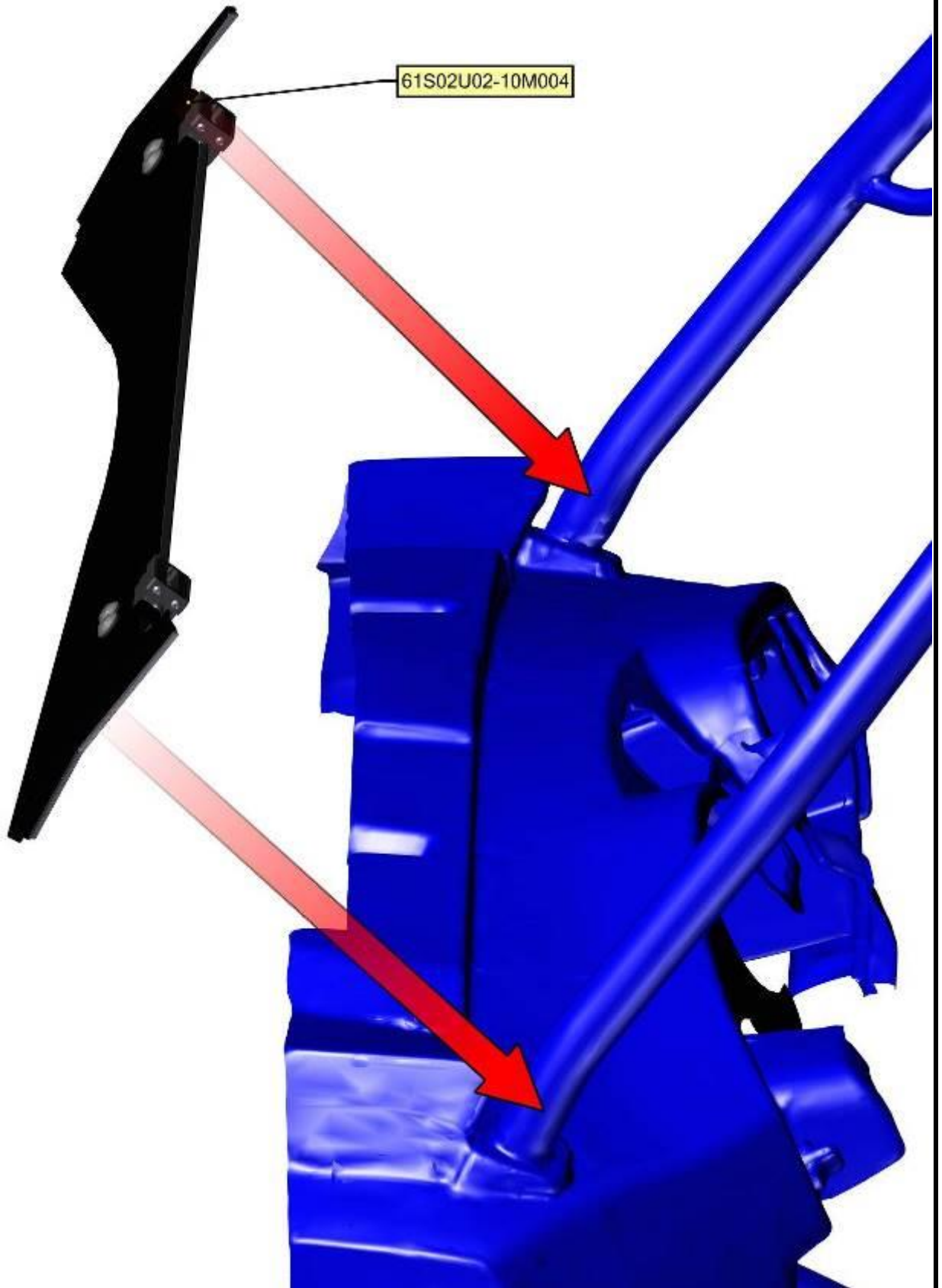
The DFK Cab heater, like the heater in a car, generates heat from the vehicle's engine.

In nearly all cases, the heater should generate enough heat from your UTV, side by side, or tractor engine that you may need to turn the heater off periodically otherwise the air in the cabin may be too hot.

It is important to check the coolant level regularly at least 4-5 times during the first several days of operation and fill as necessary until the coolant level has stabilized. The heater will draw and retain coolant, sometimes at the expense of coolant to the engine. This can cause engine overheating if not managed properly.

FRONT PANEL

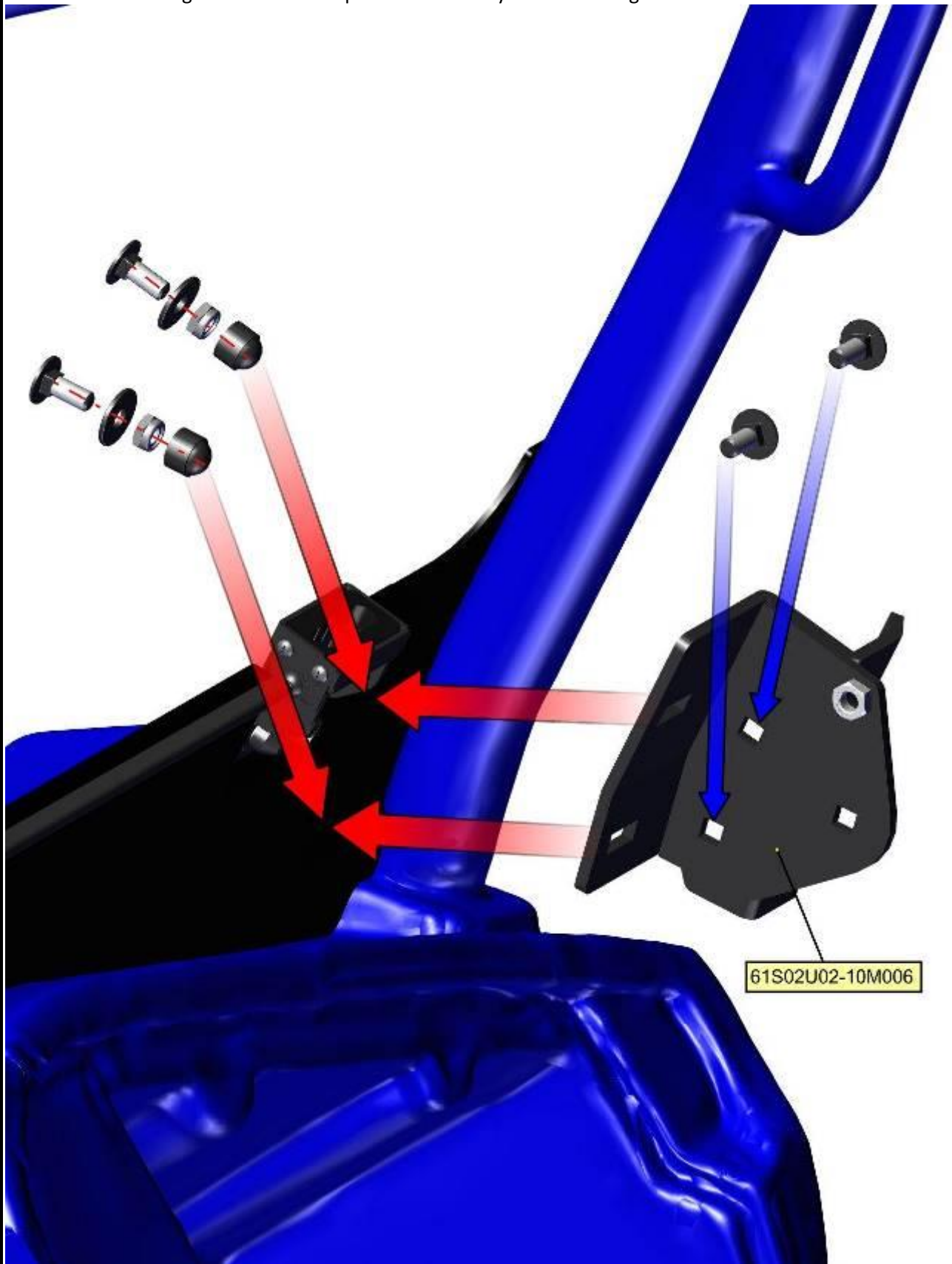
Place the front bottom ledge into the position.



DETAILED VIEW



Insert the screws from the door stop assembly into the front bottom ledge holder holes. Place the front bottom ledge holder into the position and fix by included fixing assemblies. On both sides.

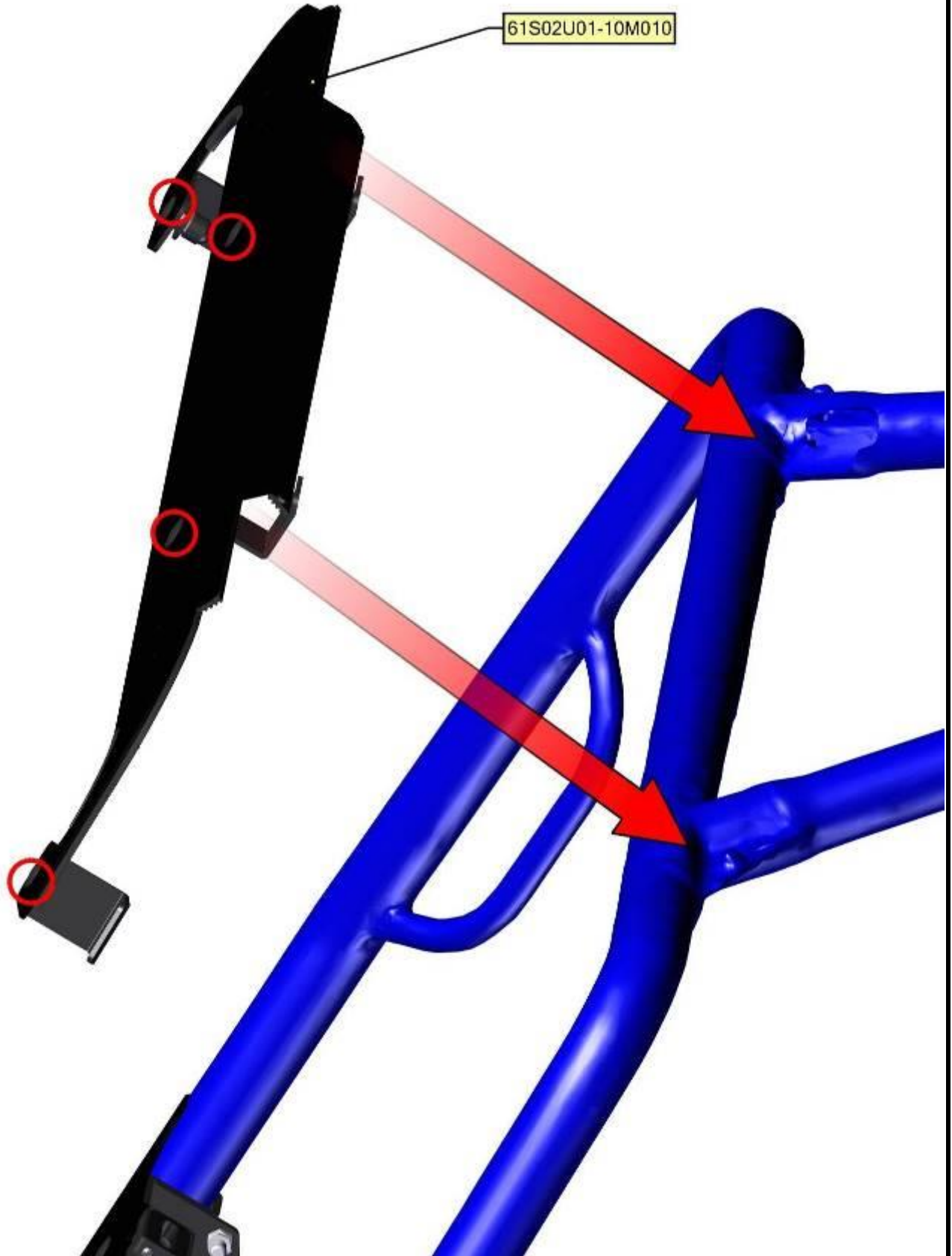


DETAILED VIEW



30

Loosen the front upper ledge holders screws (red circles) and place the front upper ledge onto the UTV roller cage.



Turn the front upper ledge holders into the best position and tighten screws correctly.

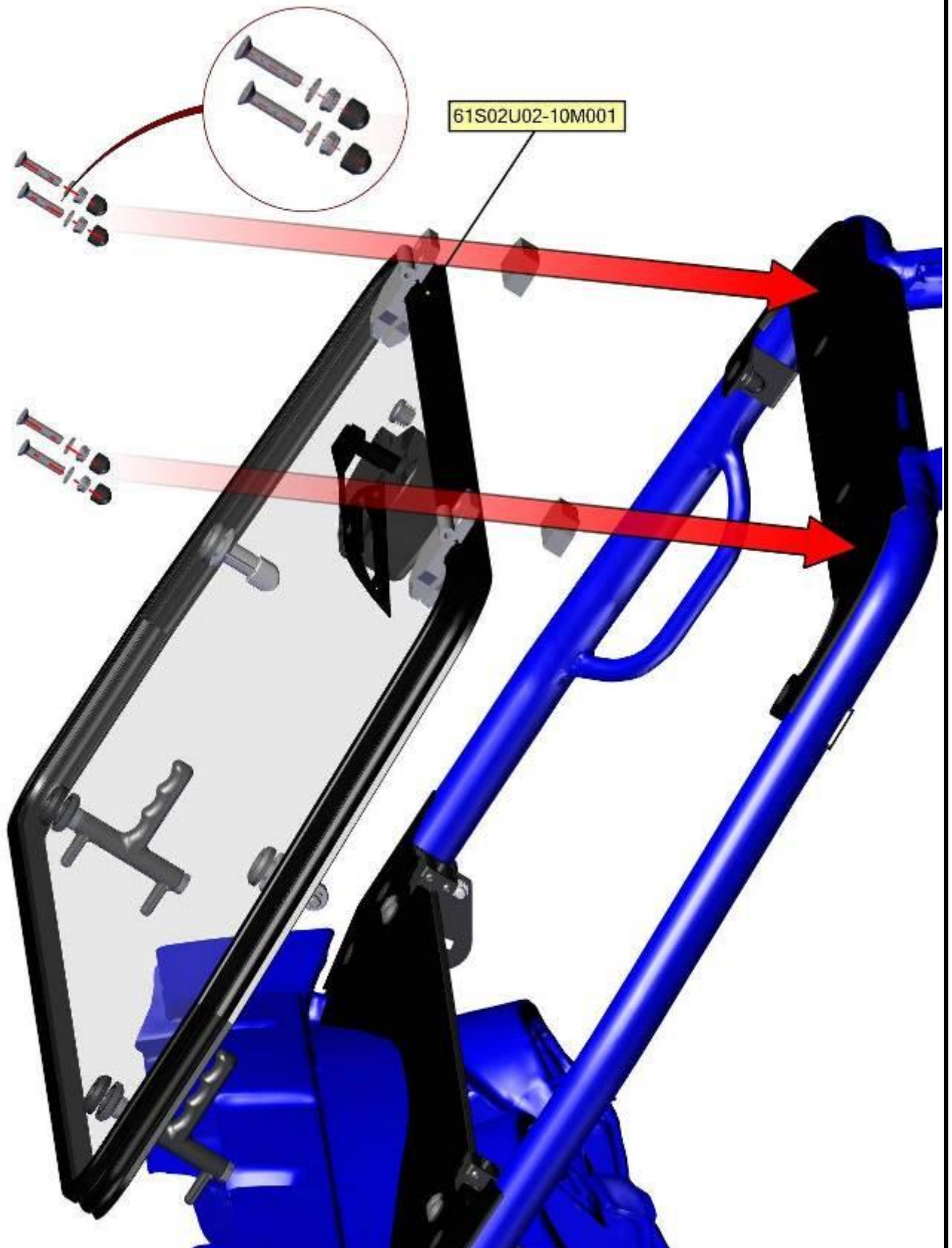


32

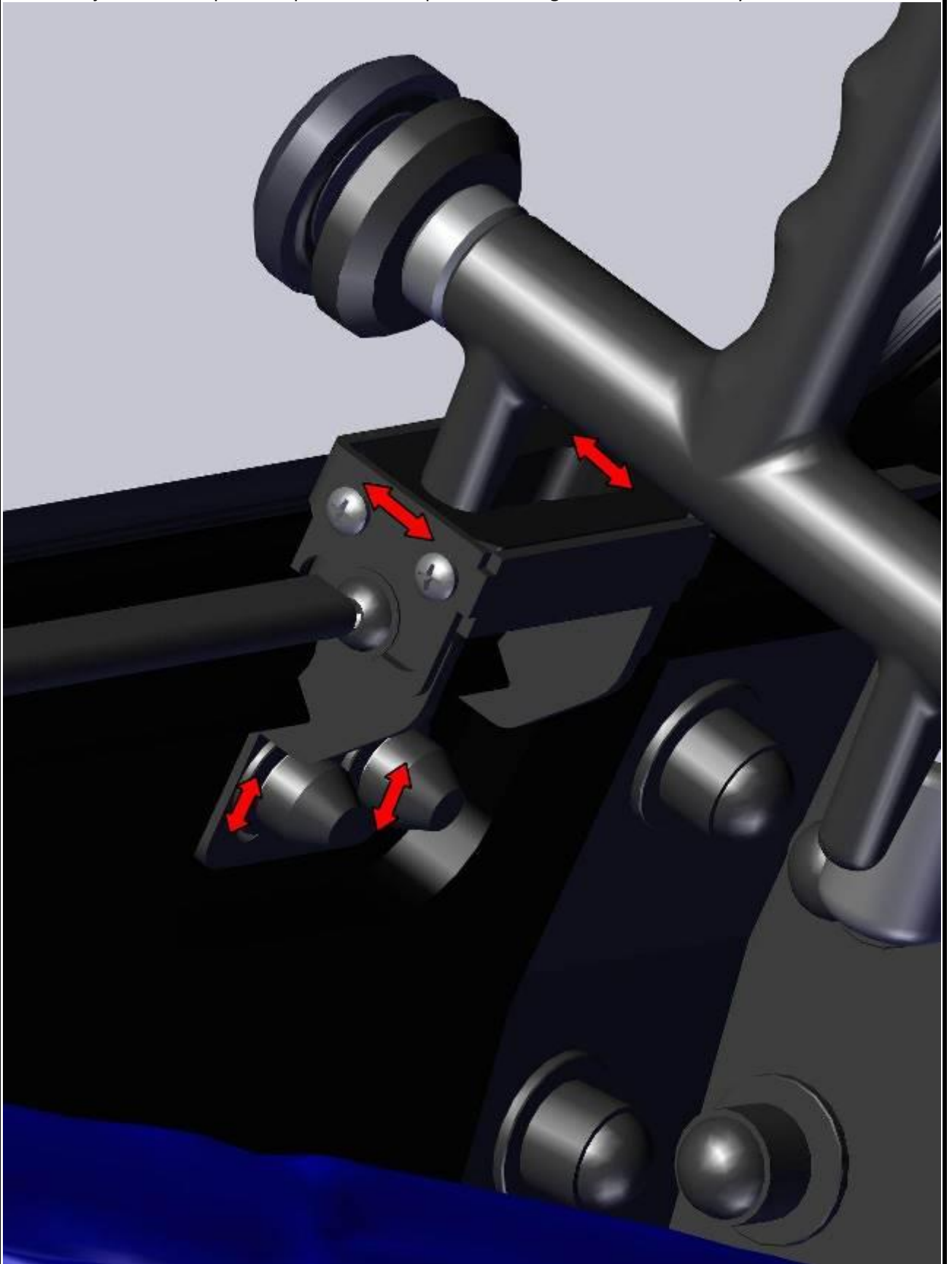
DETAILED VIEW



Place the front glass assembly onto the front upper ledge by hinges and fix by included screws, washers, nuts and covers.

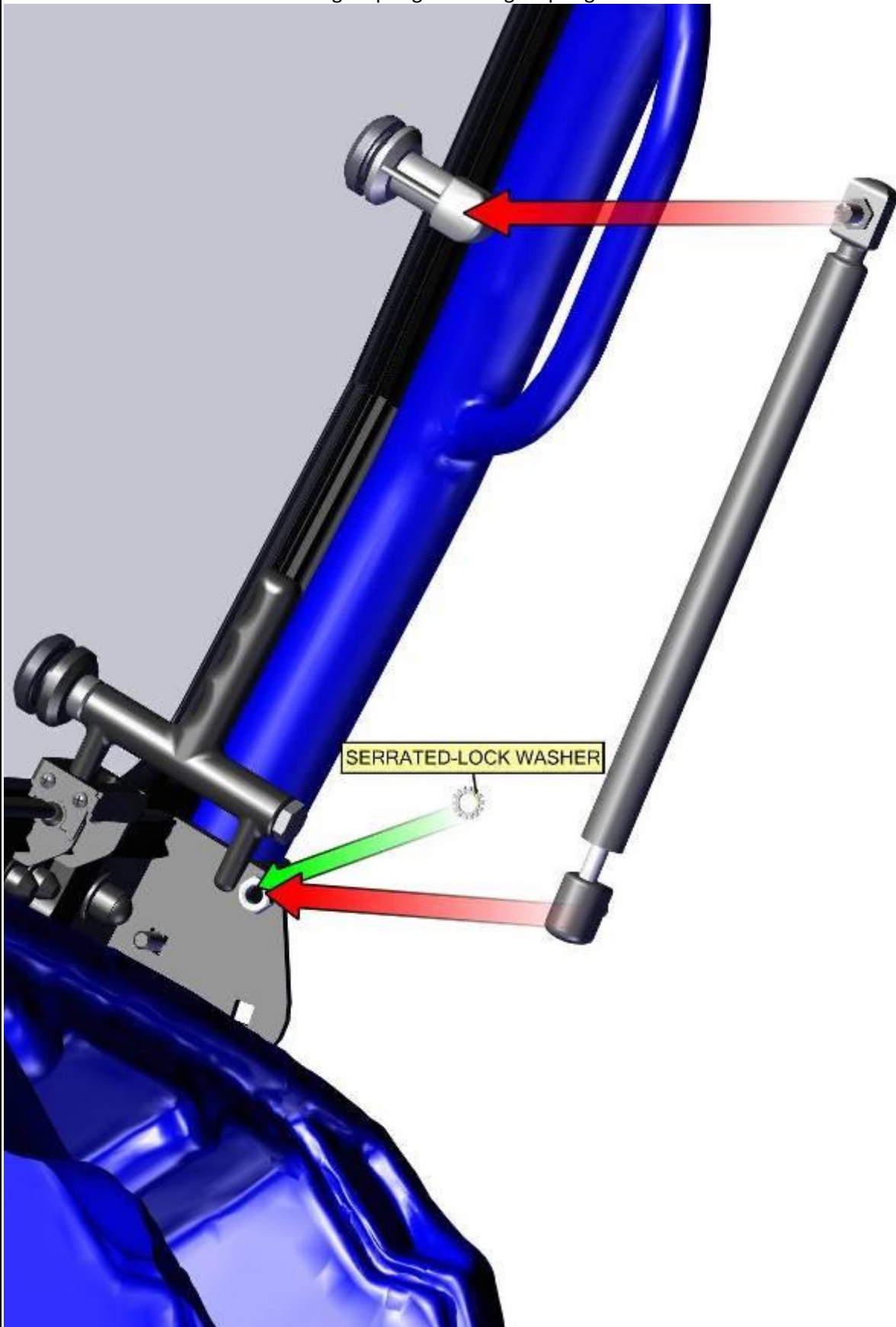


Adjust the front panel stop into the best position and tighten screws correctly on both sides.



35

Install the front gas spring into the gas spring holders on both sides.

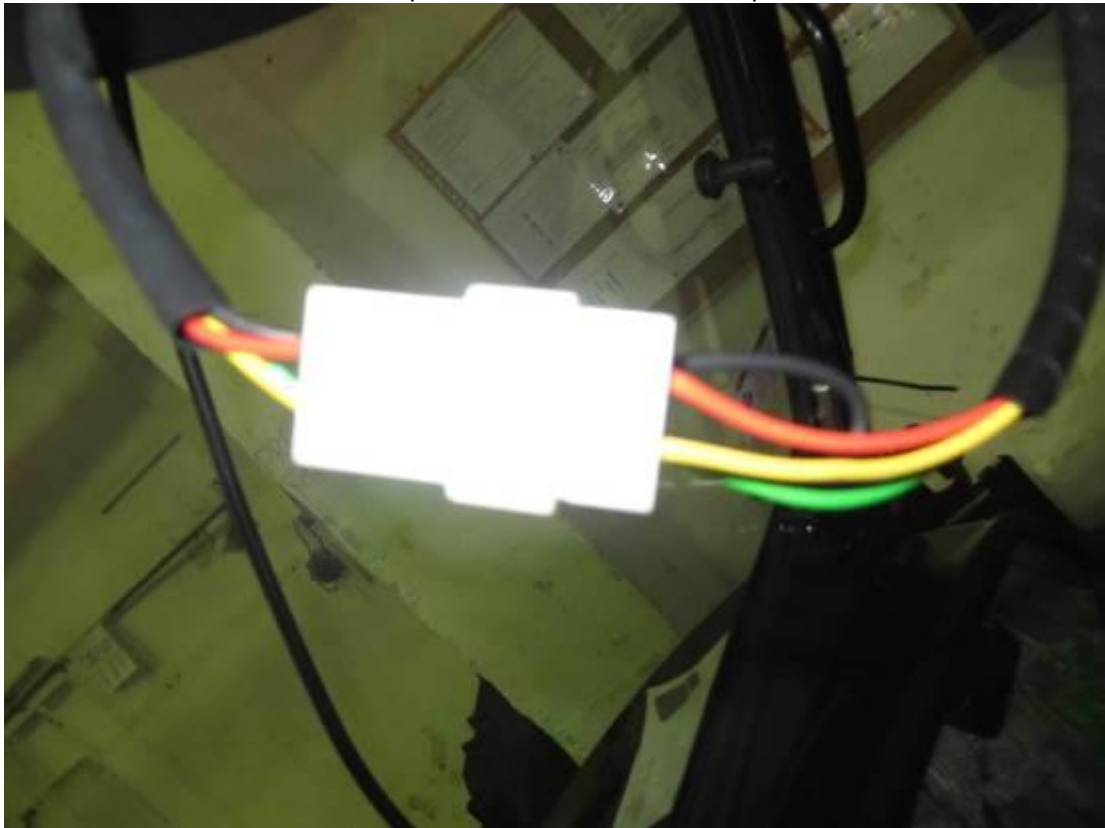


ELECTROINSTALLATION 2.
WIPER/WASHER 2.

Lead the wiper harness branch with the washer tube around the UTV roller cage to the wiper motor.



Connect the wiper harness branch to the wiper motor.



Lead the washer tube through the front glass grommet. Cut the washer tube to correct length and connect the tube to the washer jet.

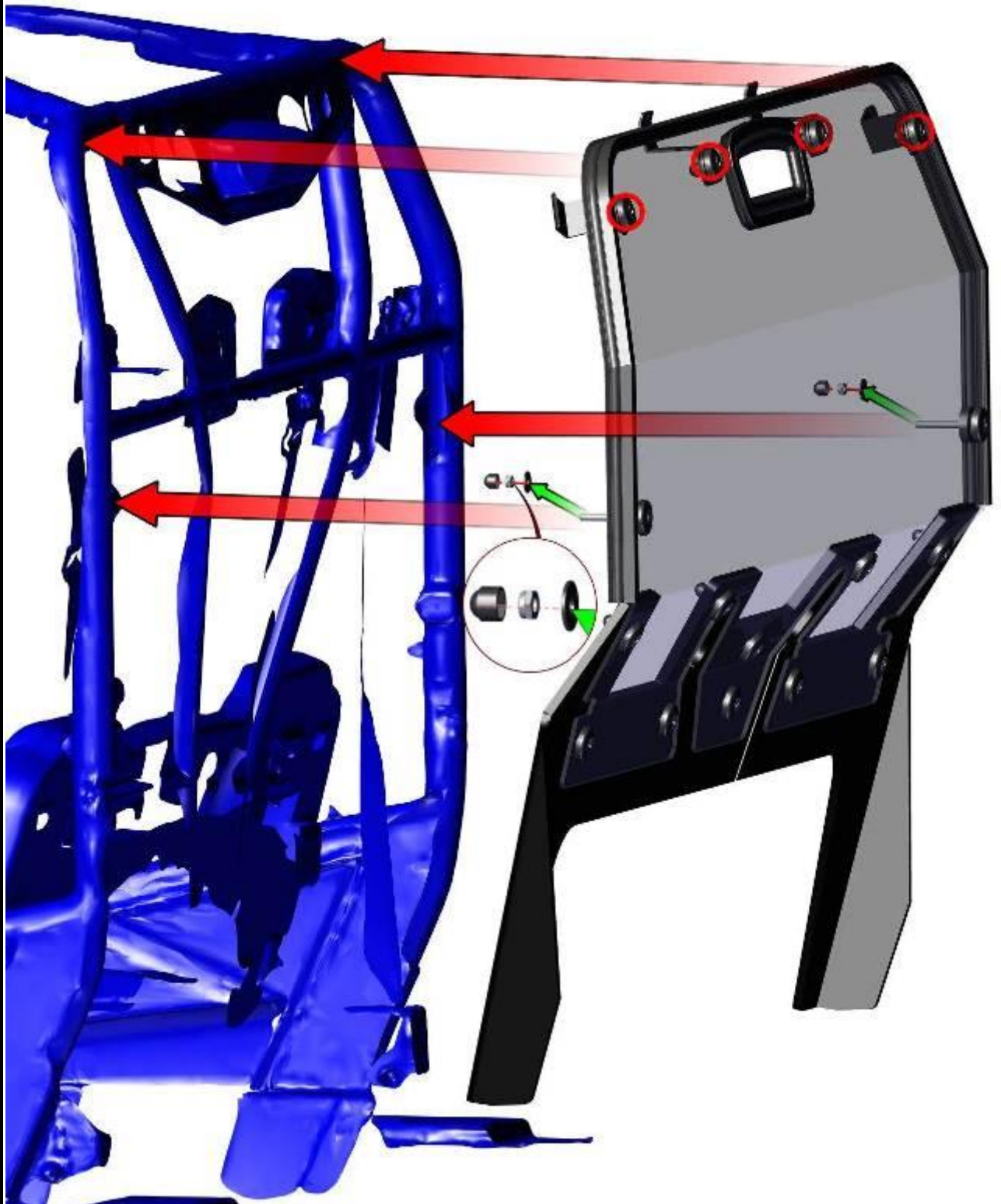


Connect wiper/washer harness tu the original UTV electroinstalation.



REAR PANEL

Uninstall covers, nuts and washers from the rear middle fixing assemblies (save these for later usage).
Loosen the rear panel holders screws (red circles).
Place the rear panel onto the UTV roller cage.



40

Press the rear bottom EPDM around the roller cage (red circle).



41

Turn the rear panel holders into correct position and tighten nuts carefully.
Fix the rear fixing assembly with the UTV roller cage by nuts, washers and covers from previous step.

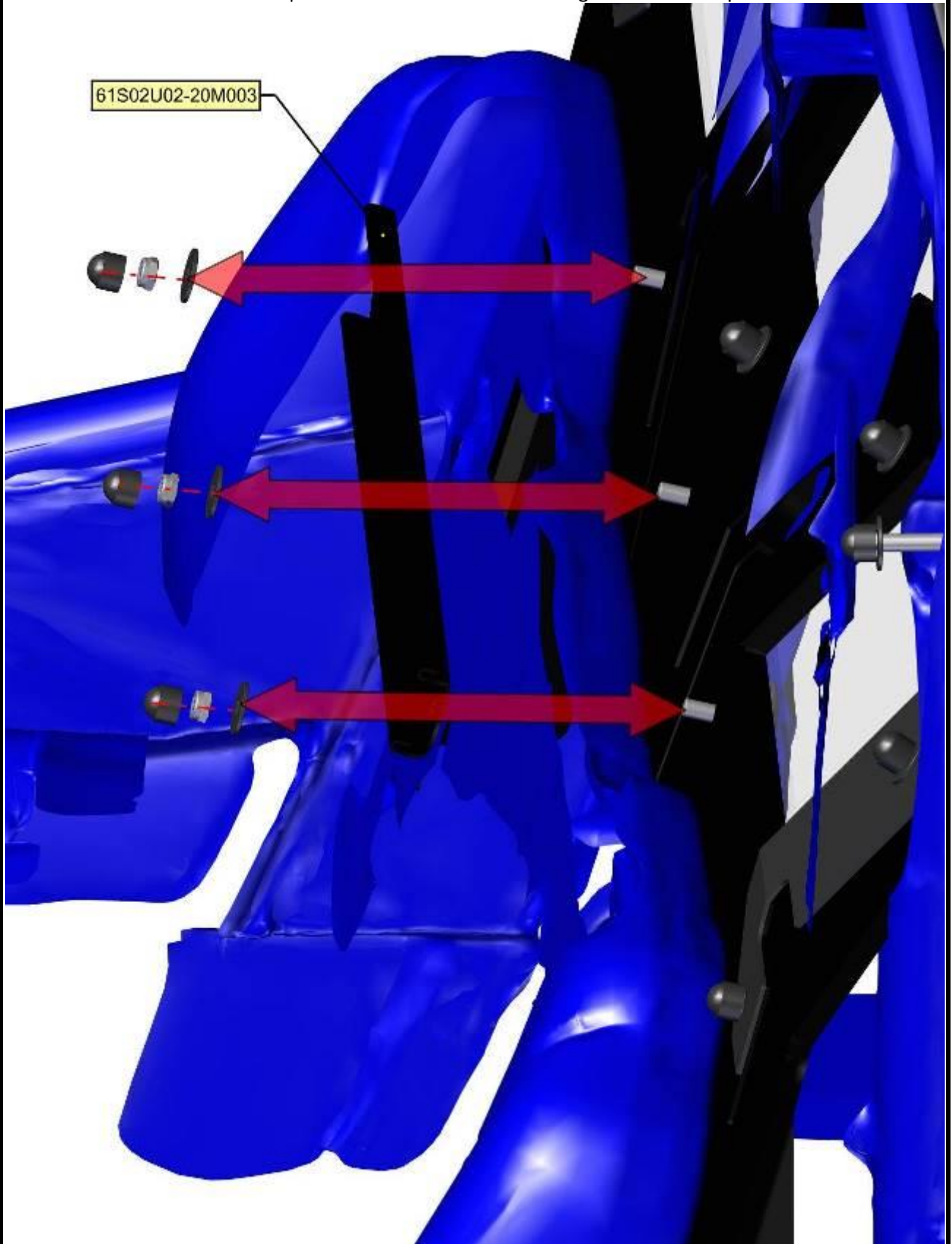


42

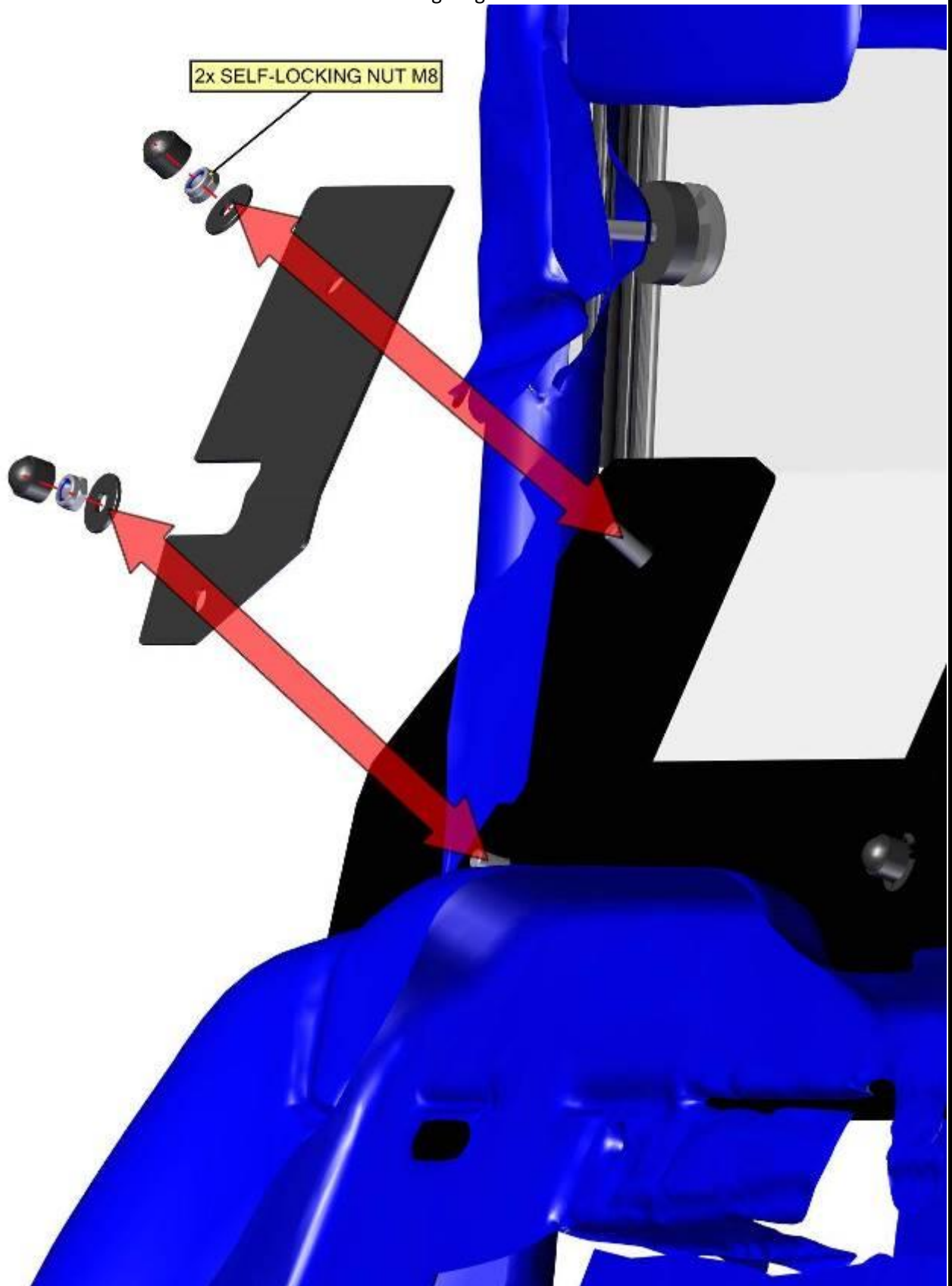
DETAILED VIEWS



Uninstall washers, nuts and covers from the rear bottom EPDM fixing assemblies and place the rear ledge onto the rear panel from inner side and the ledge fix to the rear panel.



Uninstall the side sealing ledge from the rear panel and stretch the seat belt through the rear EPDM.
Install the side sealing ledge back on both sides.



DETAILED VIEW



46

LEFT DOOR + RIGHT DOOR 1.

Uninstall the outer fixing assembly from the UTV roller cage rear roof ledge on both sides. (red circle)
Save the assembly for later use.



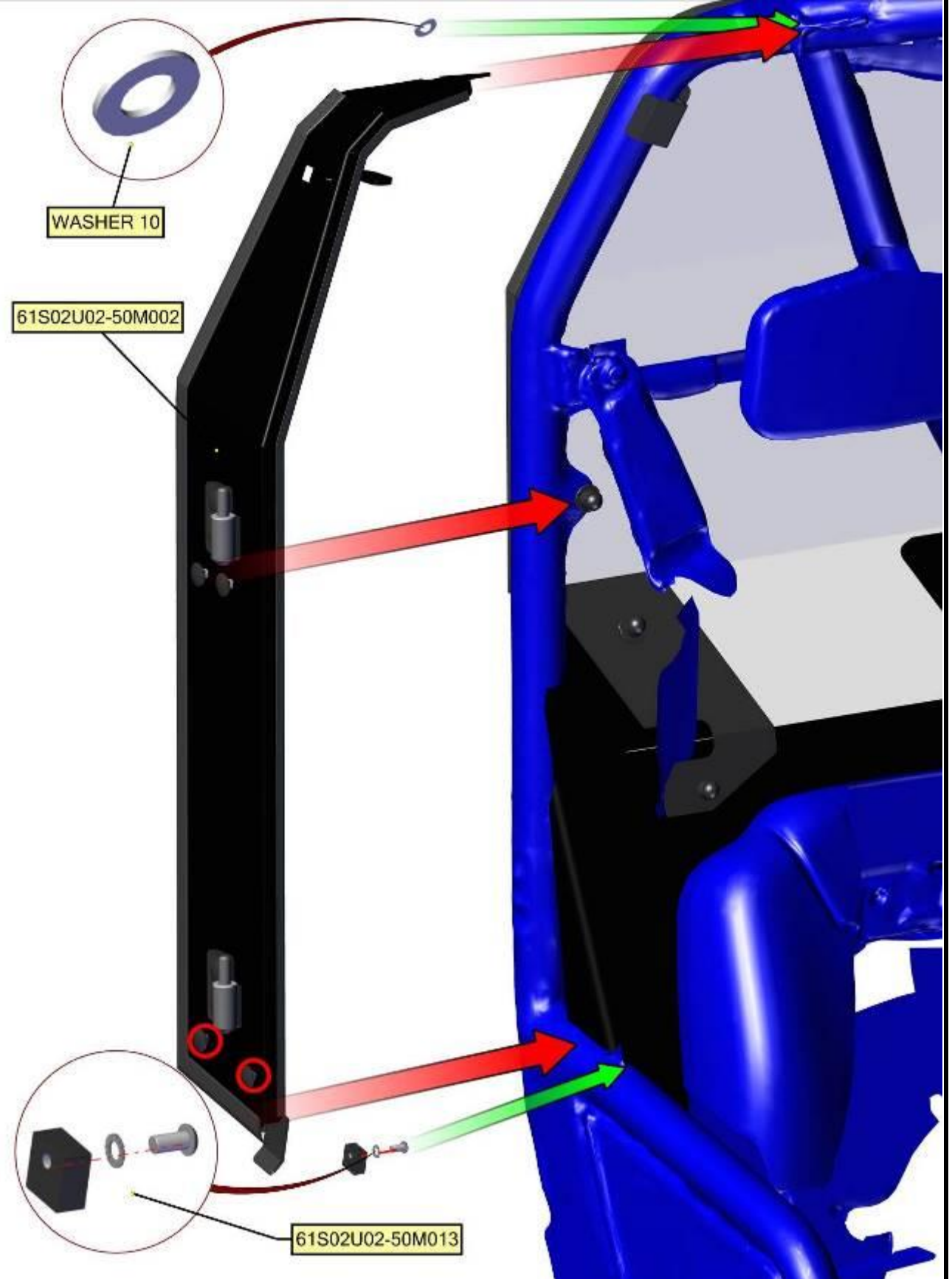
47

Install the door base washer assembly (61S02U02-50M013) to the UTV roller cage on both sides (red circle).



SEE NEXT PAGE

Loosen the bottom door base holders screws (red circle). Place the right door base into the best position.



Add the washer 10 to the roof frame fixing assembly and fix the right door base with the UTV roller cage.
Loosen the the rear poly fixing assembly and press the right door base middle holder to it.
Tighten all screws correctly.



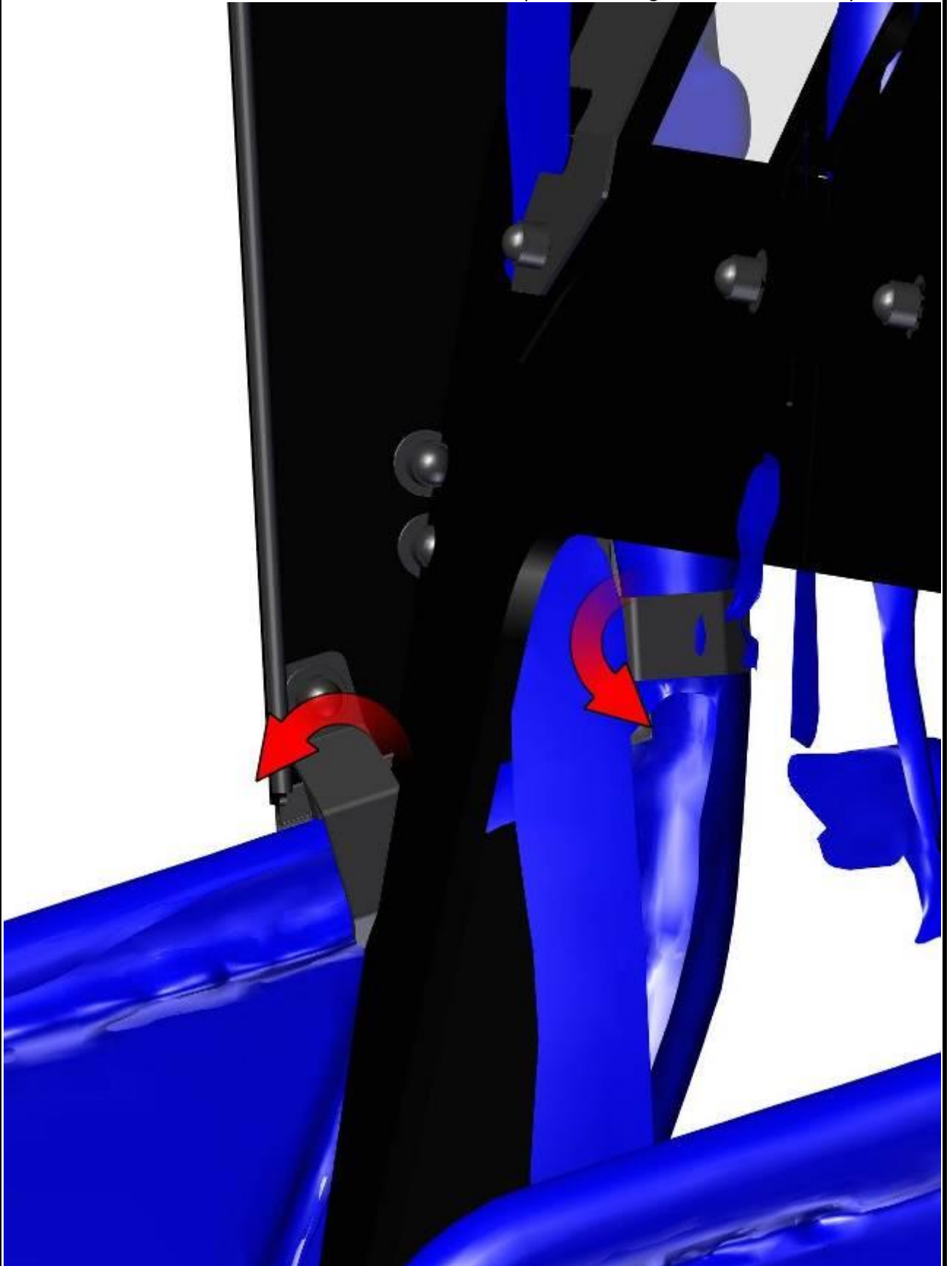
50

DETAILED VIEWS



51

Turn the bottom door base holder into the correct position and tighten the nuts correctly.



52

DETAILED VIEW

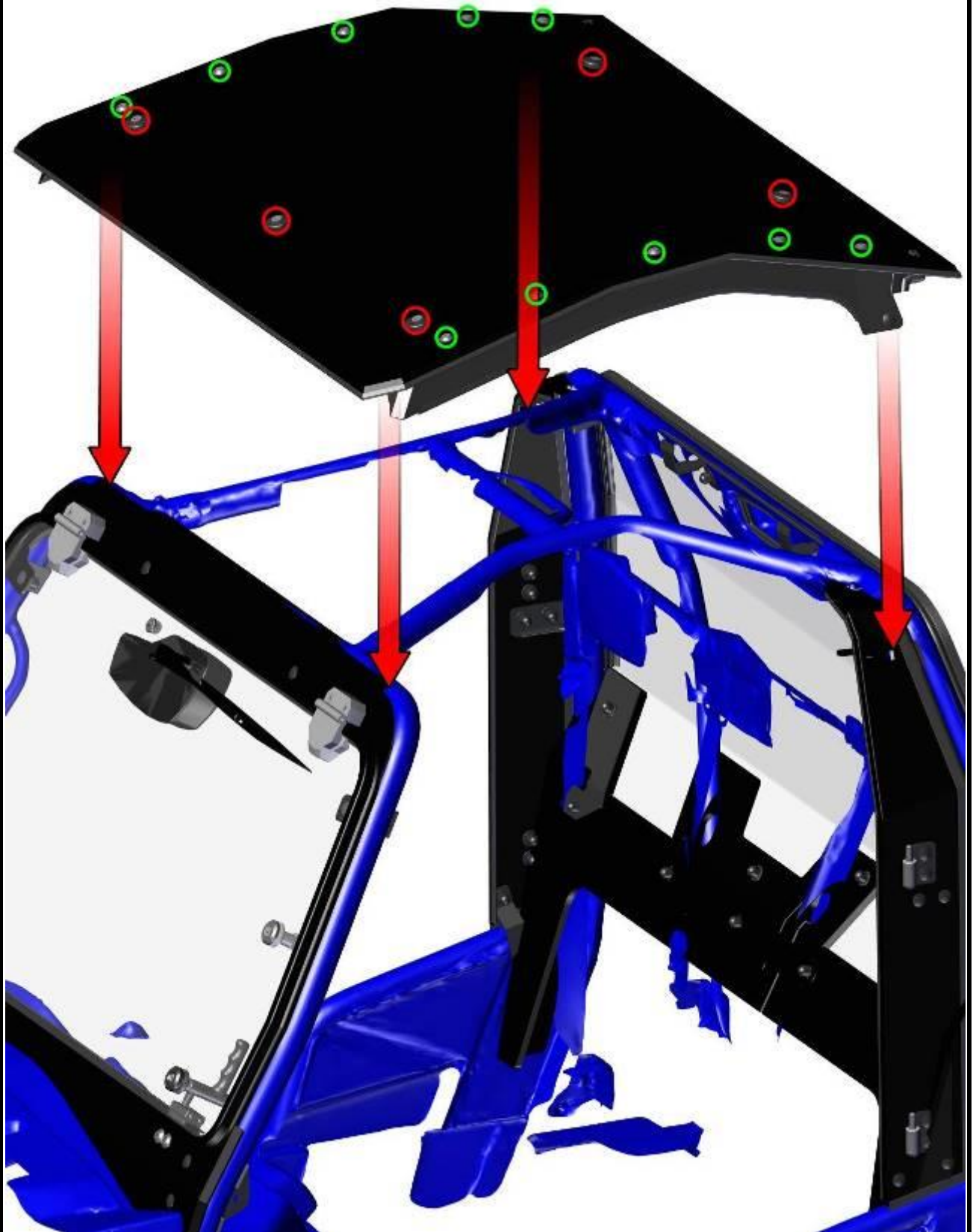


Repeat previous steps with the left door base assembly.

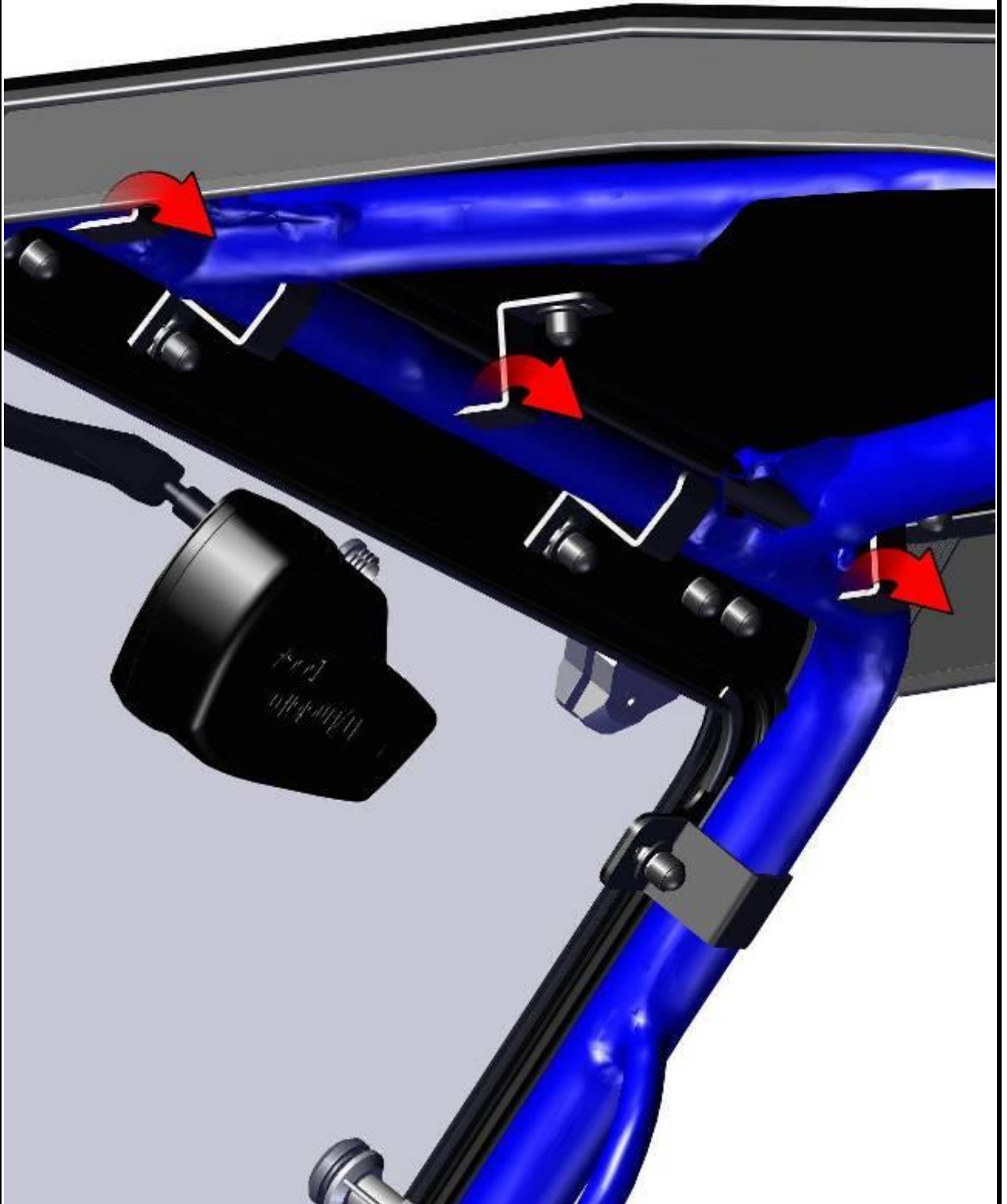


ROOF

Loosen the roof holders screws (red circles) and roof side ledge screws (green circles) and place the roof onto the UTV roller cage.



Turn the roof holders to the correct position and tighten screws correctly.



56



57

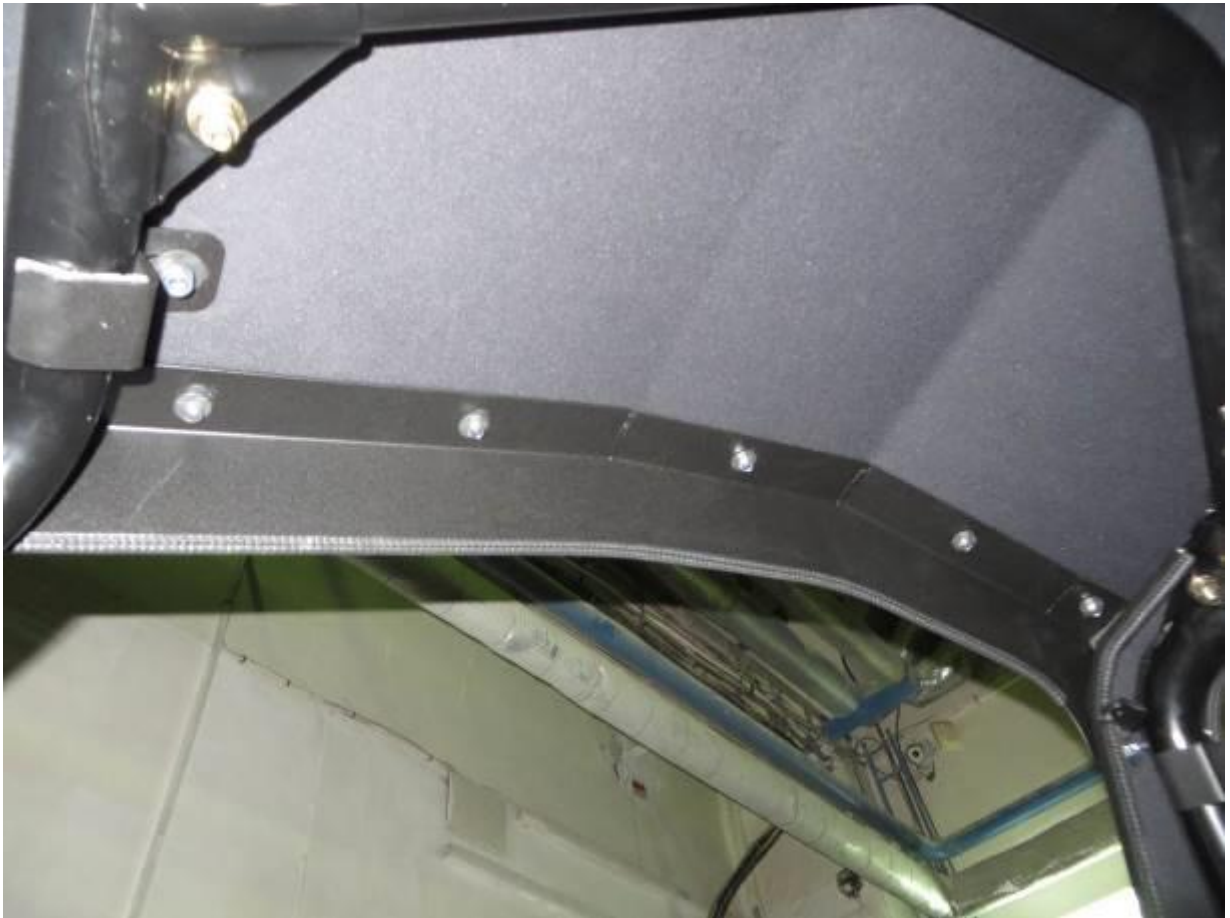
DETAILED VIEWS



Adjust the roof side ledge into the correct position and tighten the nuts correctly.

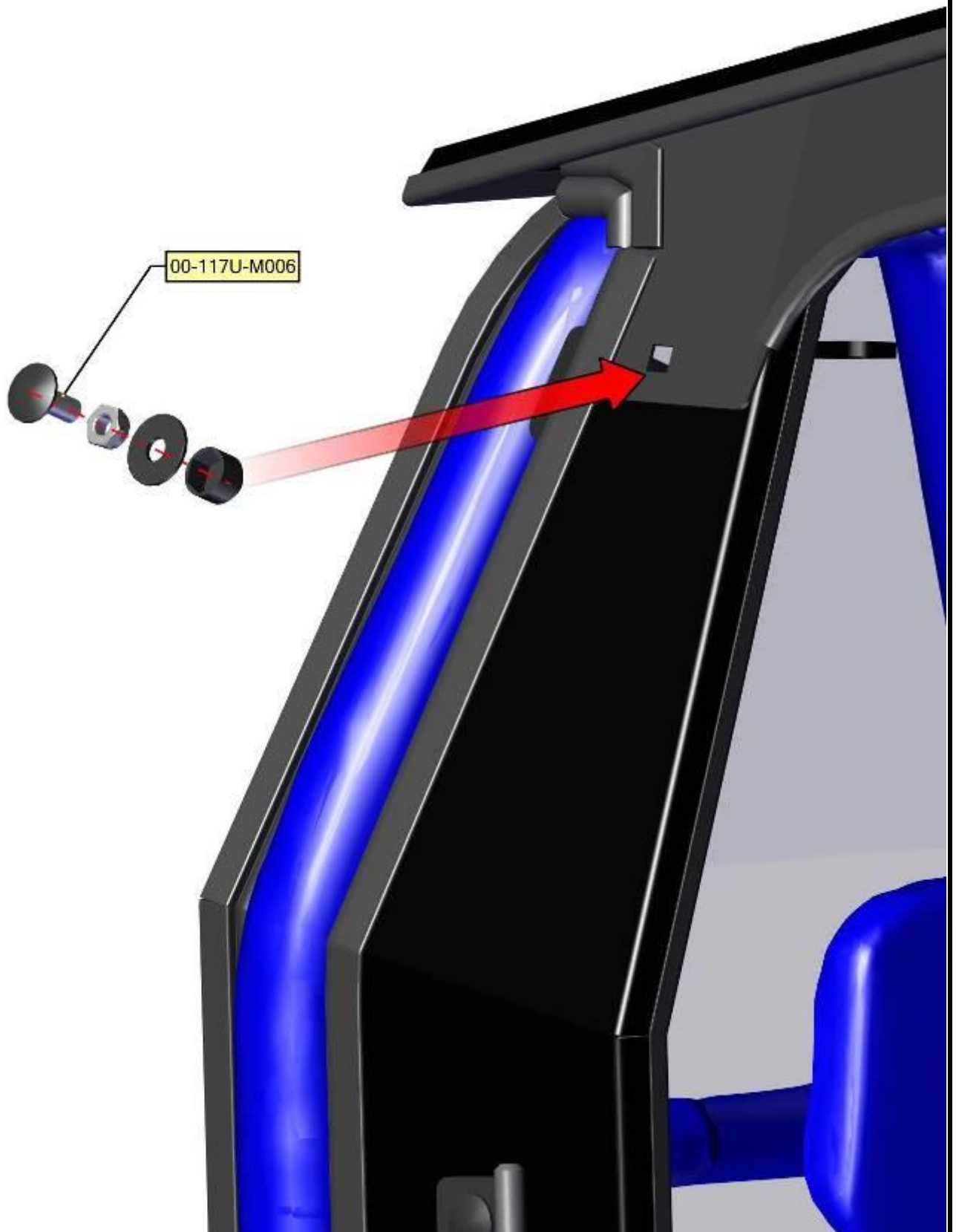


DETAILED VIEW



60

Fix the roof side ledge with the door base by included screw, washer, nut and cover.



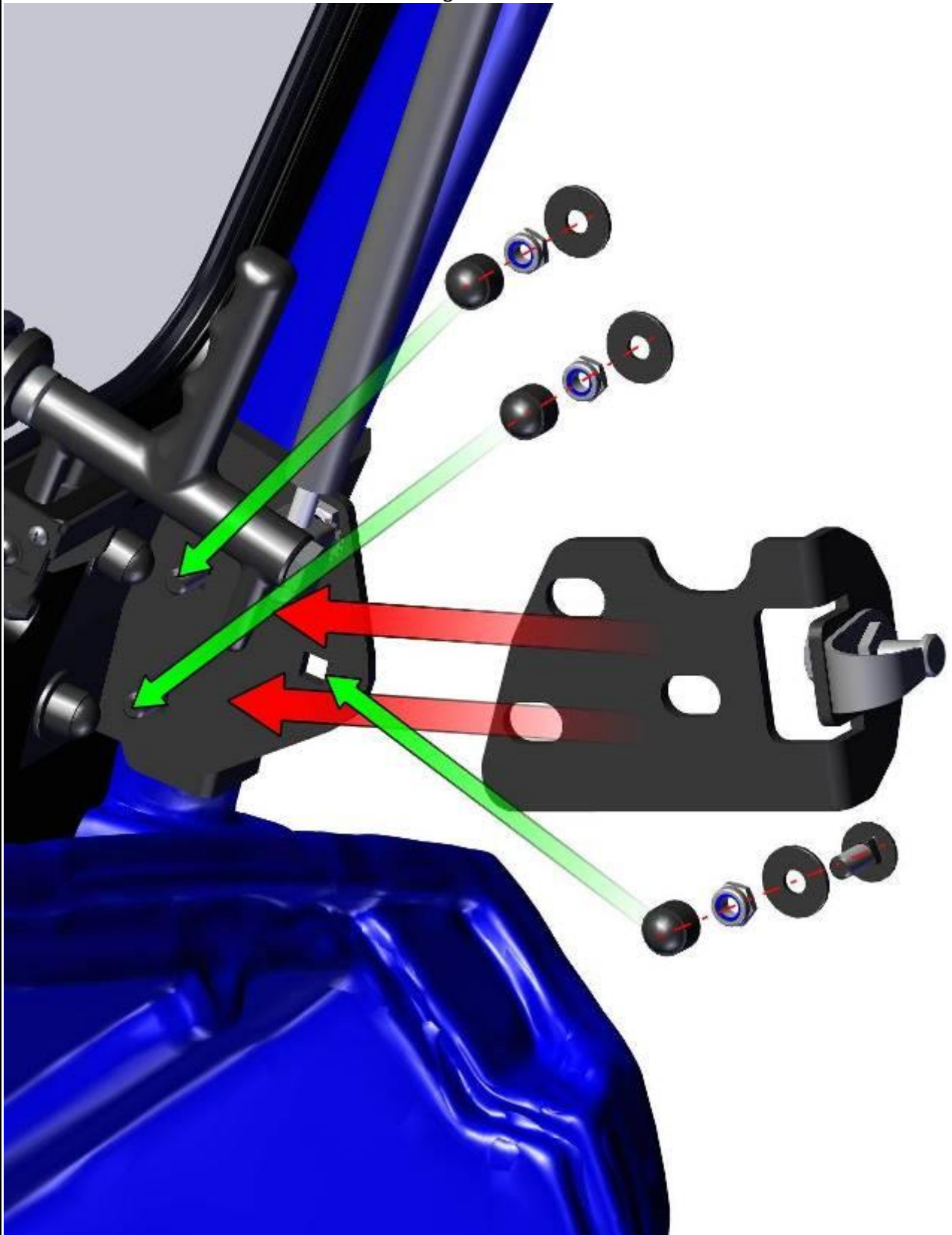
61

DETAILED VIEW

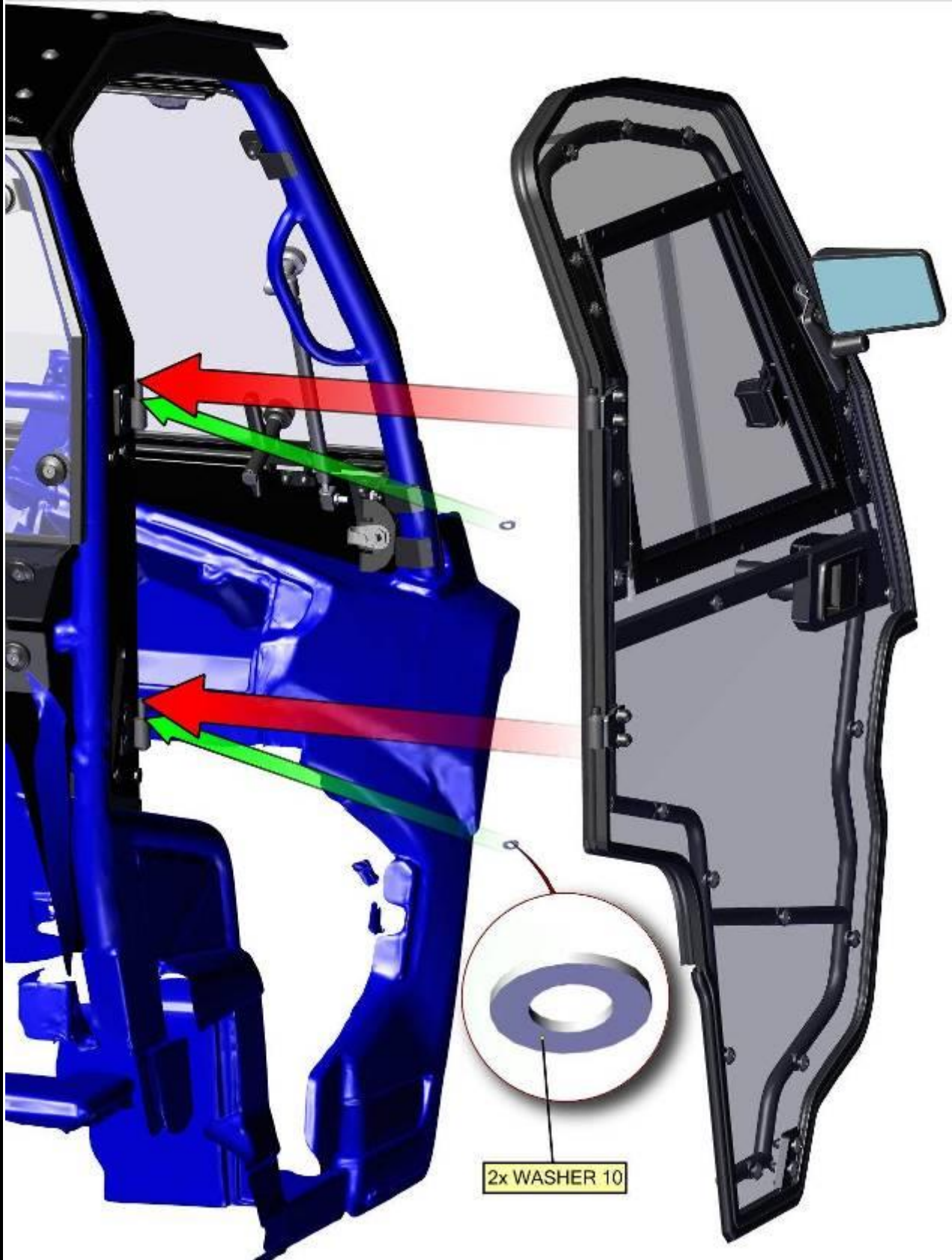


LEFT DOOR + RIGHT DOOR 2.

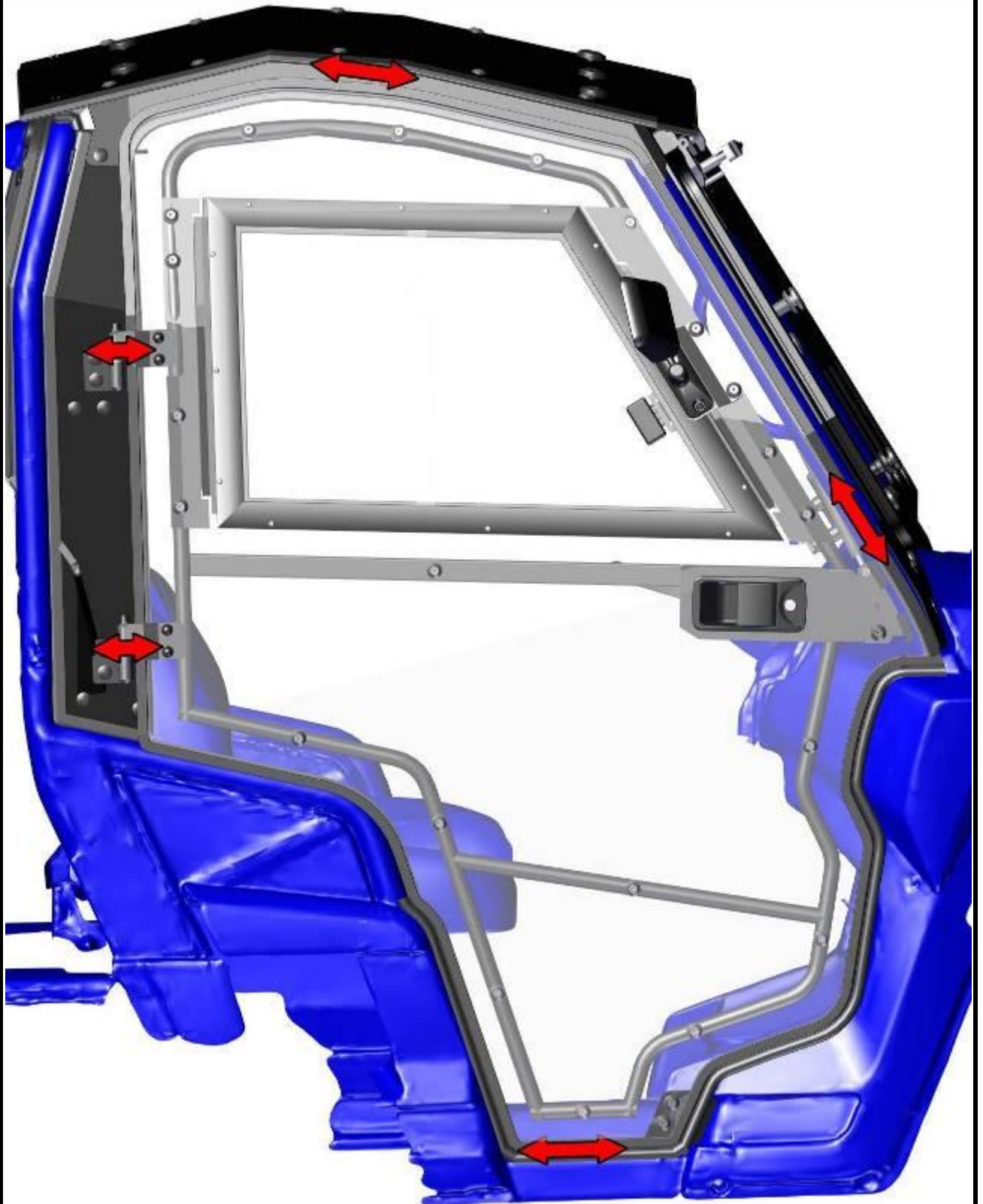
Place the right door stop assembly onto the right front bottom ledge holder and fix by included fixing assemblies.



Lubricate the hinges pins and install washers onto the hinges pins.
Place the right door assembly onto the right frame hinges.

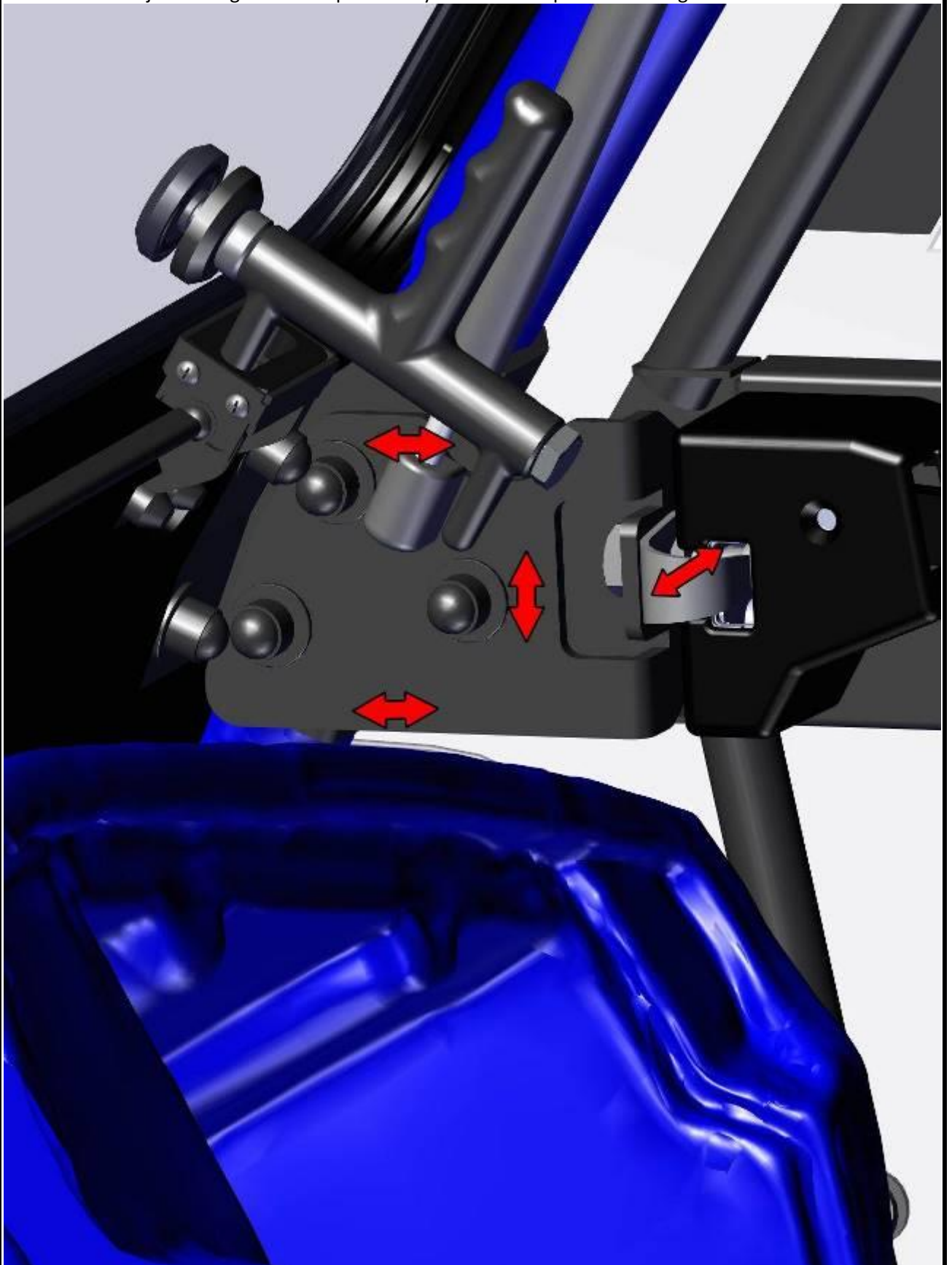


Adjust the right door into the best position by hinges and tighten the hinges screws correctly.



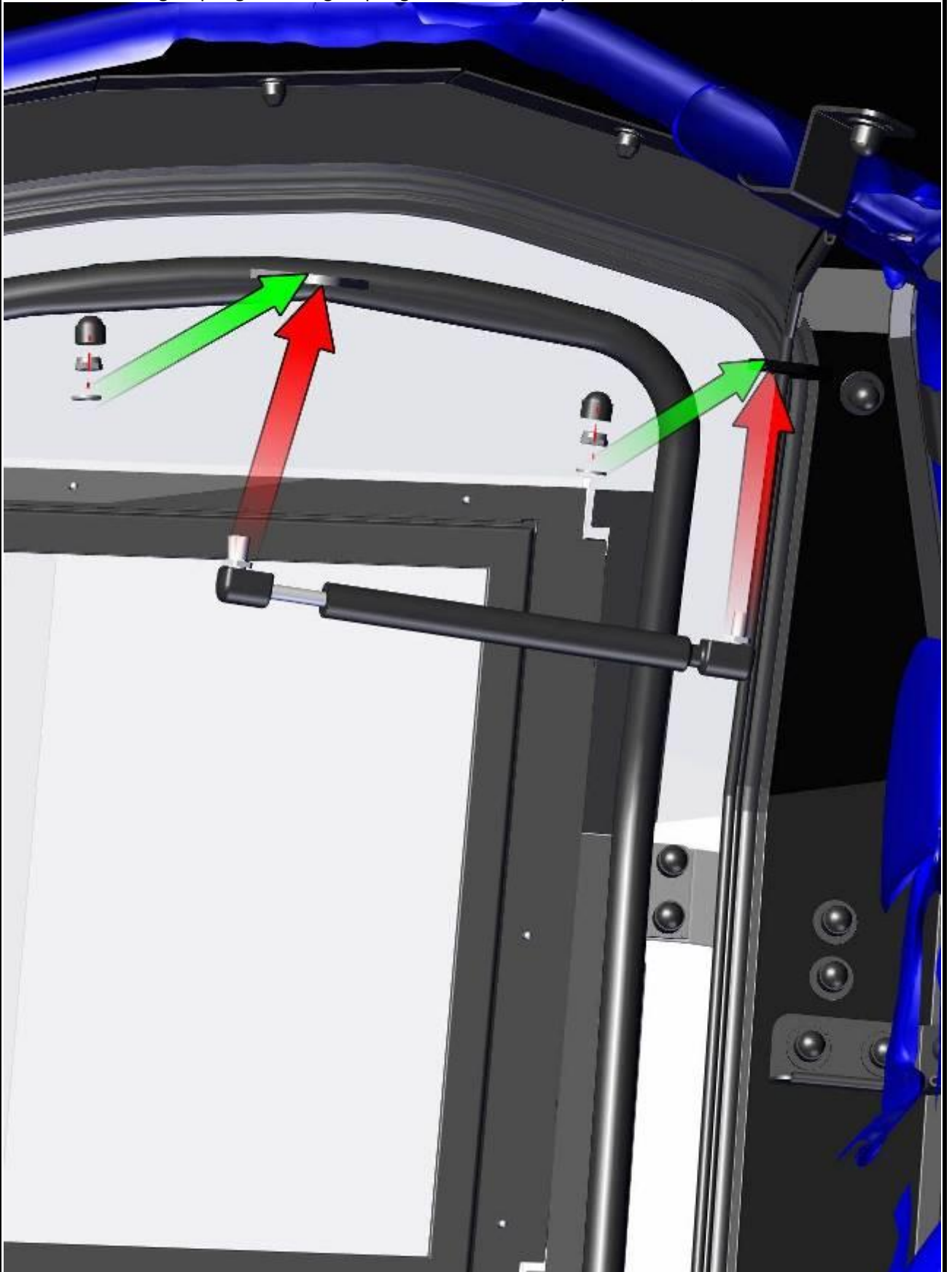
65

Adjust the right door stop assembly into the best position and tighten nuts hard.

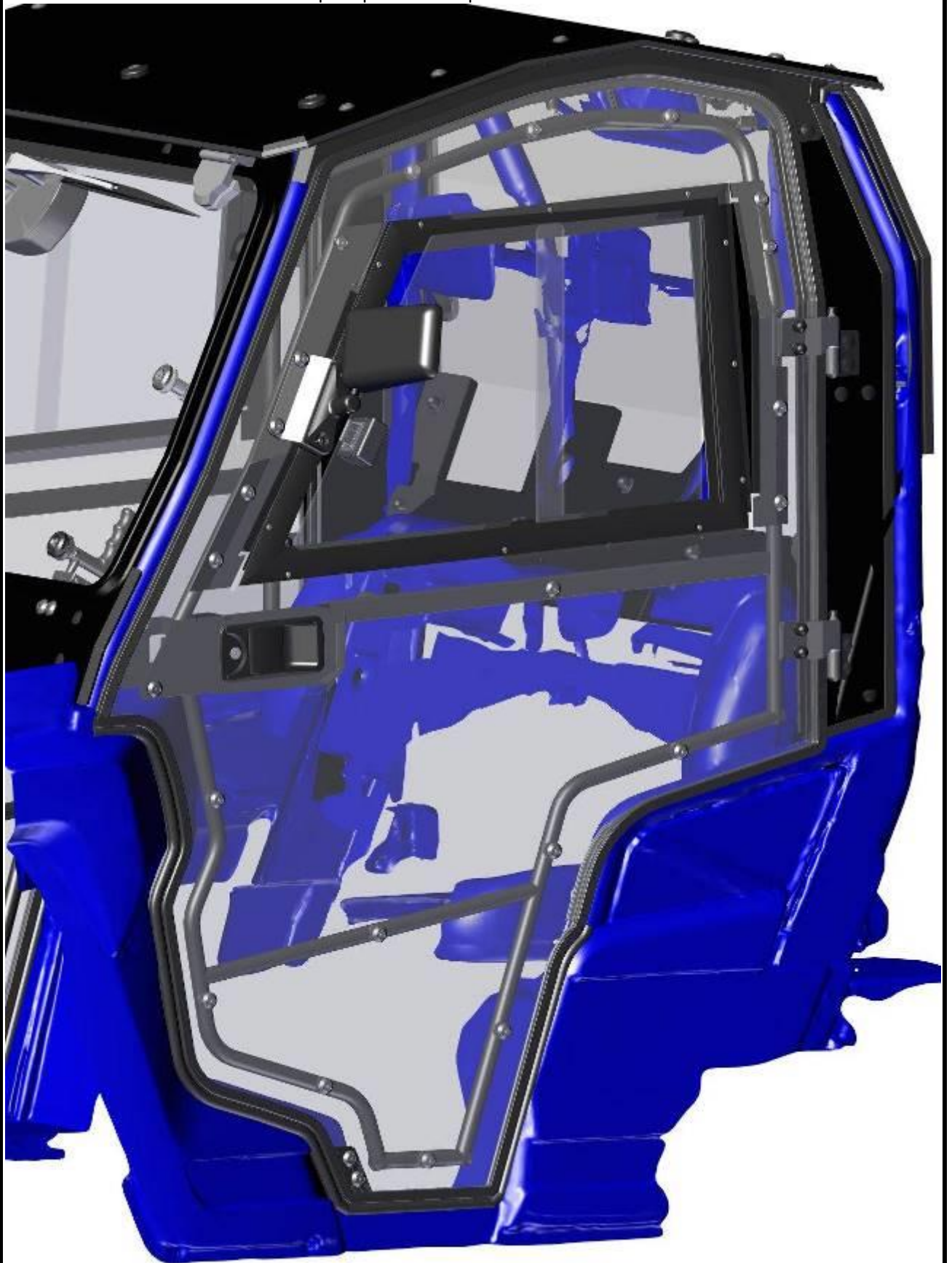


66

Install the gas spring into the gas spring holders and fix by included nuts, washers and covers.



Repeat previous steps with the left door.



68