

HardCabs

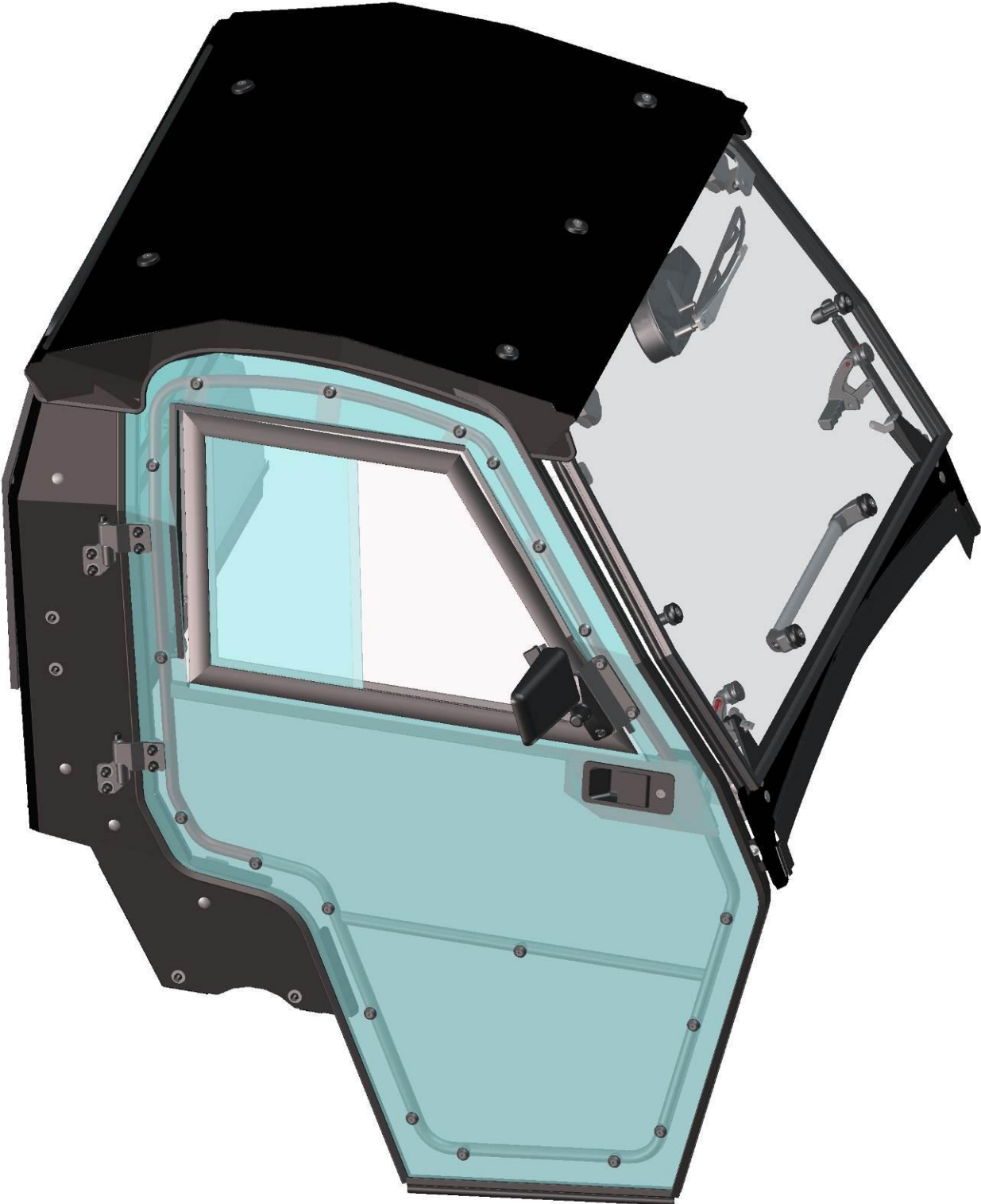
A DFK AMERICA COMPANY

SPARE - PARTS CATALOG

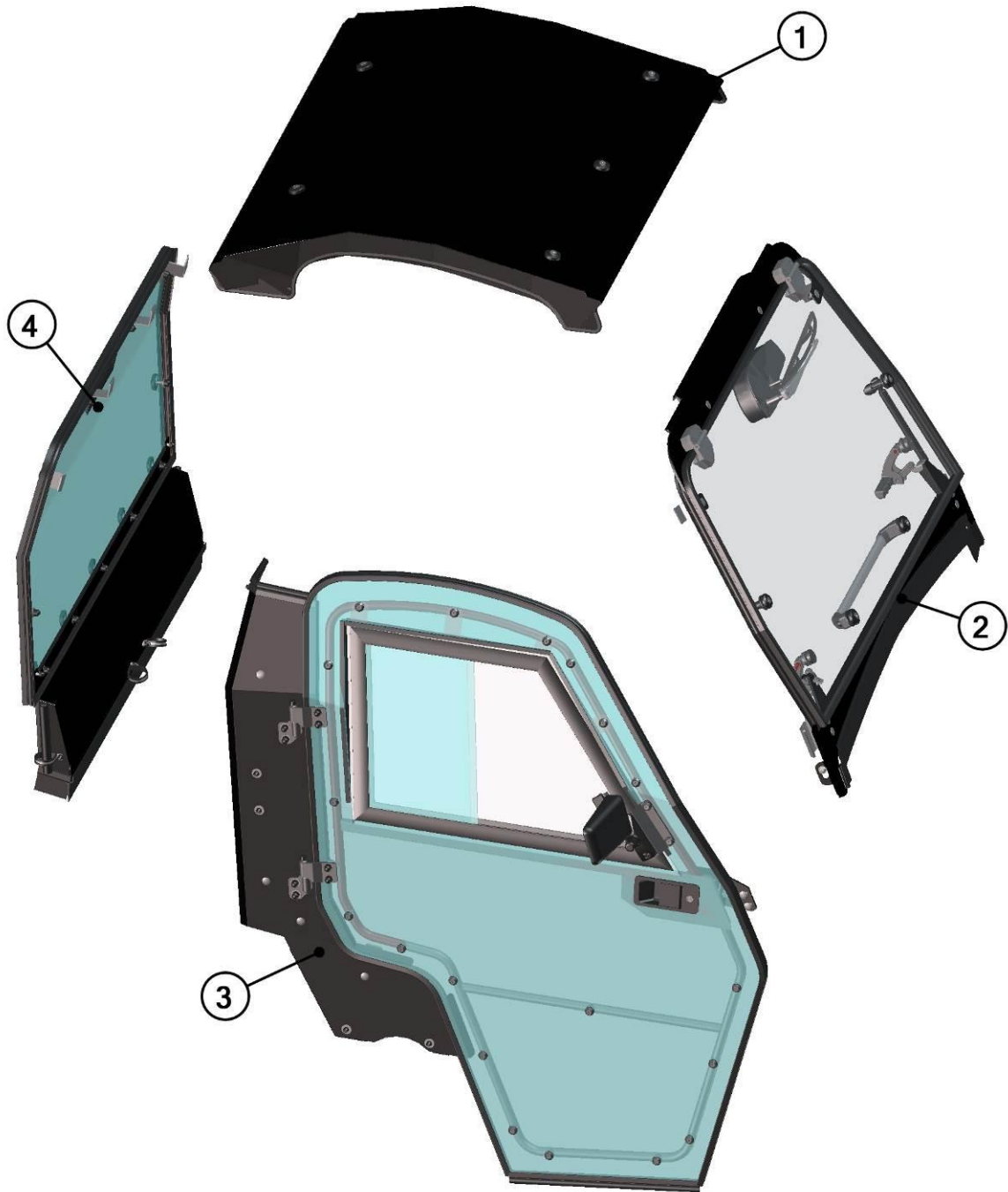
ARCTIC CAT **PROWLER 1000 XTZ**



CAB PREVIEW



2



3

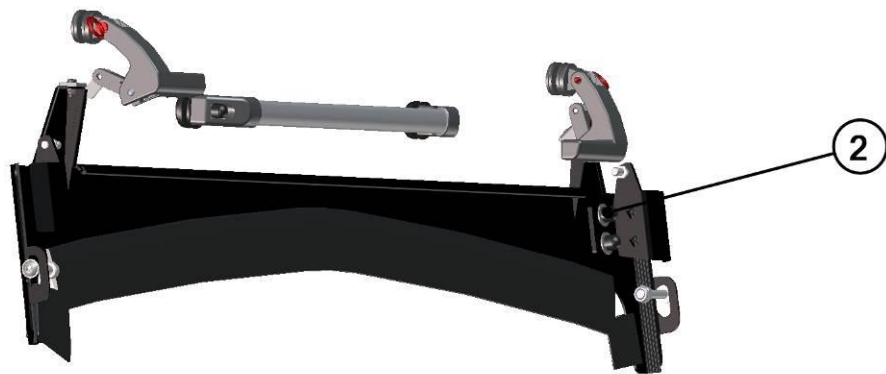
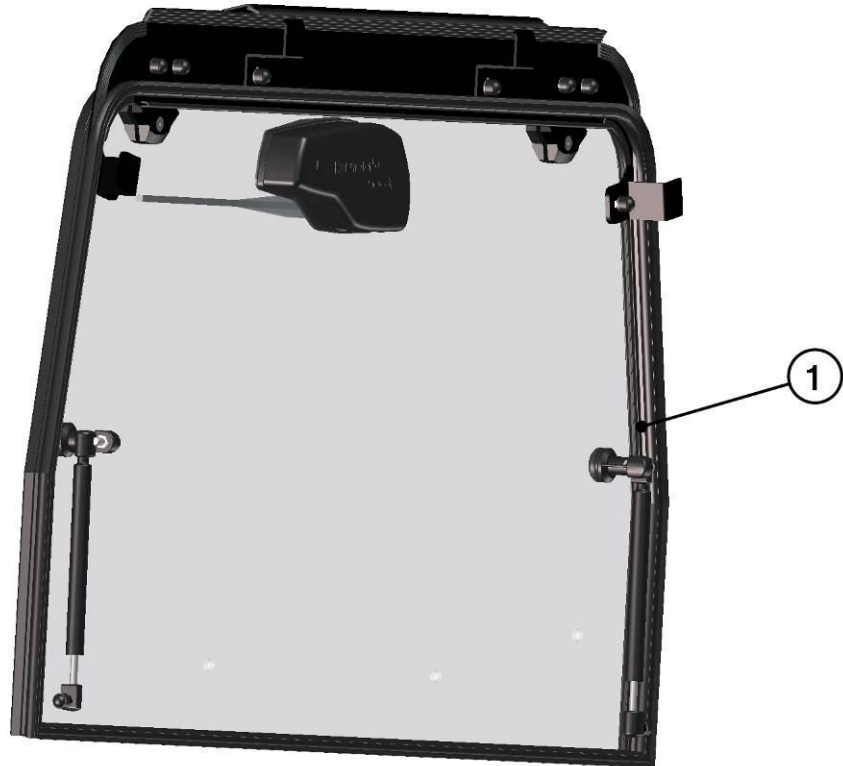
Position	Catalogue no.	Description	Qty
1	61S02U01S30	ROOF	1
2	61S02U01S10	FRONT PANEL	1
3	61S02U01S50	RIGHT DOOR	1
4	61S03U01S20	REAR PANEL	1
5	61S02U01S40	LEFT DOOR	1

THE RIGHT DOOR AND THE LEFT DOOR IS SIMILAR, JUST USE CORRECT TABLE

FRONT PANEL



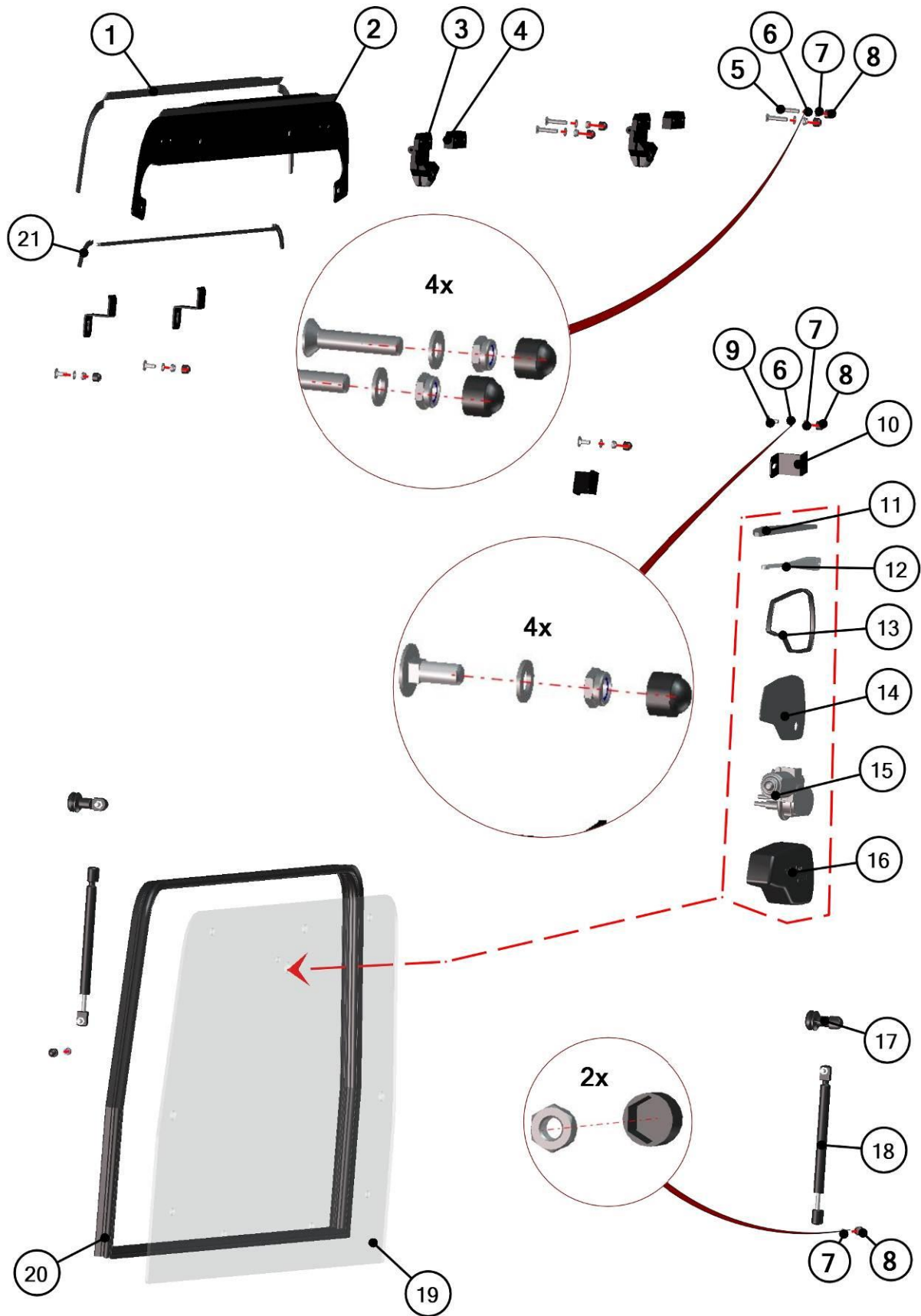
4



Position	Catalogue no.	Description	Qty
1	*****	FRONT UPPER ASSEMBLY	1
2	*****	FRONT BOTTOM ASSEMBLY	1

FRONT UPPER ASSEMBLY

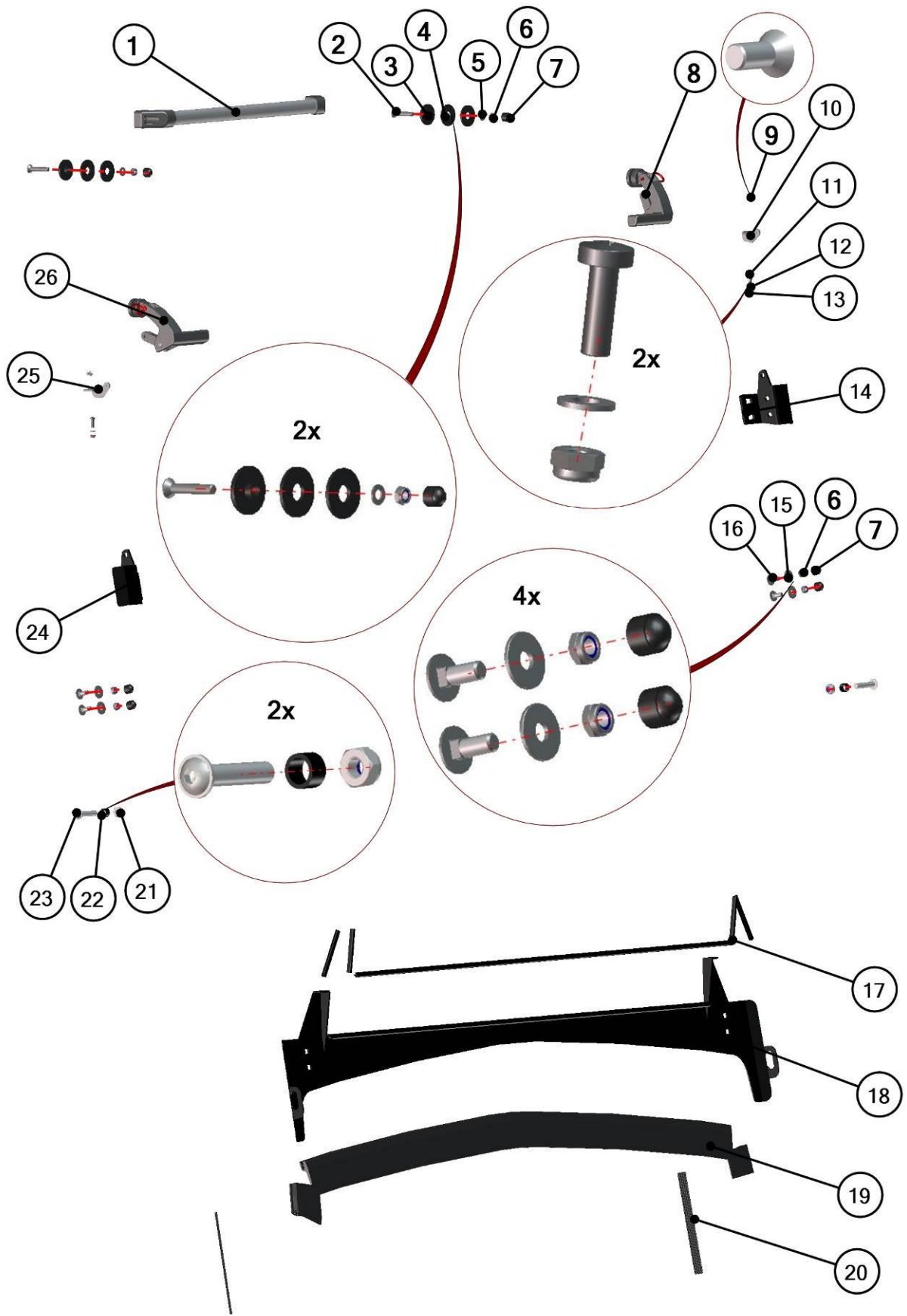




Position	Catalogue no.	Description	Qty
1	001771^61S02U01-10M001	RUBBER PROFILE "KR 15x4"	1
2	61S02U01-10-001	FRONT UPPER LEDGE	1
3	000862	HINGE	2
4	000863	HINGE BASE	2
5	002607	SCREW M8x40	4
6	001387	WASHER 8	8
7	001388	SELF-LOCKING NUT M8	10
8	001309	PLASTIC NUT COVER OK13	10
9	002575	SCREW M8x20	4
10	00-101U-004	FRONT LEDGE HOLDER	4
11	000798	WIPER LATCH	1
12	002535	WIPER ARM	1
13	001001^00-10M005	RUBBER PROFILE "LEMOVKA"	1
14	00-025E02	WIPER MOTOR LEDGE	1
15	002764	WIPER MOTOR 12V	1
16	001722	WIPER MOTOR COVER	1
17	001693	GAS SPRING HOLDER	2
18	000865	GAS SPRING	2
19	61S02U01-10-003	FRONT GLASS	1
20	002557^61S02U01-10M004	RUBBER PROFILE "PIRELA G LONG"	1
21	001001^61S02U01-10M001	RUBBER PROFILE "LEMOVKA"	1

FRONT BOTTOM ASSEMBLY



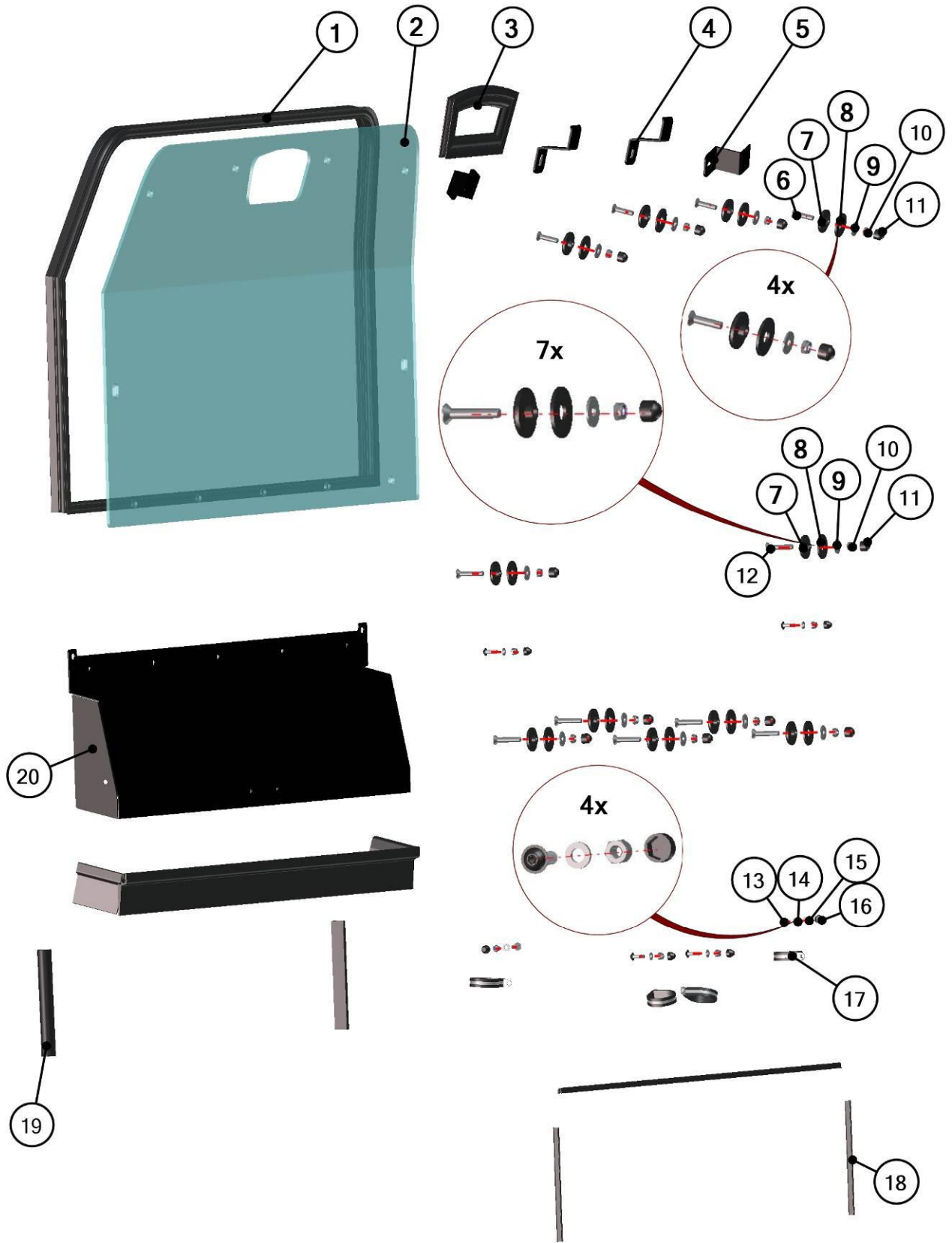


10

Position	Catalogue no.	Description	Qty
1	002496	FRONT GLASS HANDLE	1
2	001694	SCREW M8x45	2
3	001429	PLASTIC WASHER 8	2
4	001428	RUBBER WASHER 8	4
5	001387	WASHER 8	2
6	001388	SELF-LOCKING NUT M8	6
7	001309	PLASTIC NUT COVER OK13	6
8	61S02U01	RIGHT GLASS LOCK	1
9	002397	SCREW M5x12	2
10	61S02U01-10-009	RIGHT GLASS LOCK HOLDER	1
11	002367	SCREW M5x16	2
12	001484	WASHER 5	2
13	002265	SELF-LOCKING NUT M5	2
14	61S02U01-10W002	RIGHT BOTTOM HOLDER	1
15	001407	WASHER 8 LARGE	4
16	002575	SCREW M8x20	4
17	001001^61S02U01-10M002	RUBBER PROFILE "LEMOVKA"	1
18	61S02U01-10W001	FRONT BOTTOM LEDGE WELDED	1
19	001668^61S02U01-10M002	RUBBER PROFILE "KARTACEK"	1
20	001771^61S02U01-10M002	RUBBER PROFILE "KR15x4"	1
21	002533	SELF-LOCKING NUT M10	2
22	61S02U01-10-010	FRONT TUBE METAL	2
23	002768	SCREW M10x50	2
24	61S02U01-10W003	LEFT BOTTOM HOLDER WELDED	1
25	61S02U01-10-008	LEFT GLASS LOCK HOLDER	1
26	002640	LEFT GLASS LOCK	1

REAR PANEL



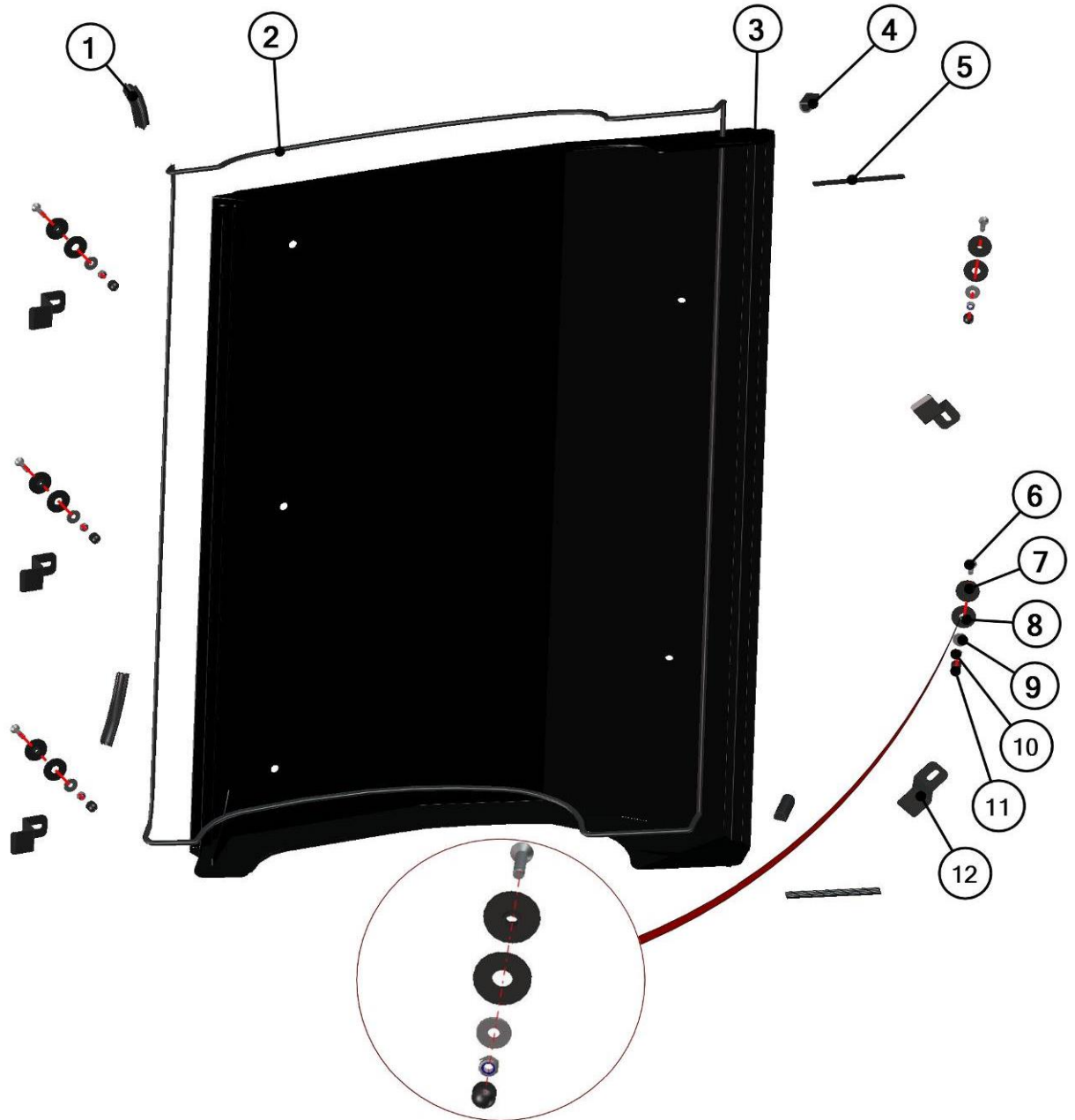


Position	Catalogue no.	Description	Qty
1	002454^61S03U01S20	RUBBER PROFILE "SARAZIN SIDE"	1
2	61S03U01-20-001	REAR PANEL POLY	1
3	002051^61S03U01S20	RUBBER PROFILE "PIRELA STRAIGHT"	1
4	61S03U01-20-004	REAR UPPER HOLDER	1
5	00-101U-004	REAR SIDE HOLDER	2
6	001760	SCREW M8x35	4
7	001429	PLATIC WASHER 8	11
8	001428	RUBBER WASHER 8	11
9	001407	WASHER 8 LARGE	11
10	001388	SELF-LOCKING NUT M8	11
11	001309	PLASTIC NUT COVER OK13	11
12	001694	SCREW M8x45	7
13	002192	SCREW M6x20	6
14	001426	WASHER 6	6
15	001392	SELF-LOCKING NUT M6	6
16	001348	PLASTIC NUT COVER OK10	6
17	002488	TIGHTENING STRAP	4
18	001001^61S03U01S20	RUBBER PROFILE "LEMOVKA"	1
19	001589^61S03U01S20	RUBBER PROFILE "APOLLO"	1
20	61S03U01-20W001	REAR BOTTOM LEDGE	1

ROOF



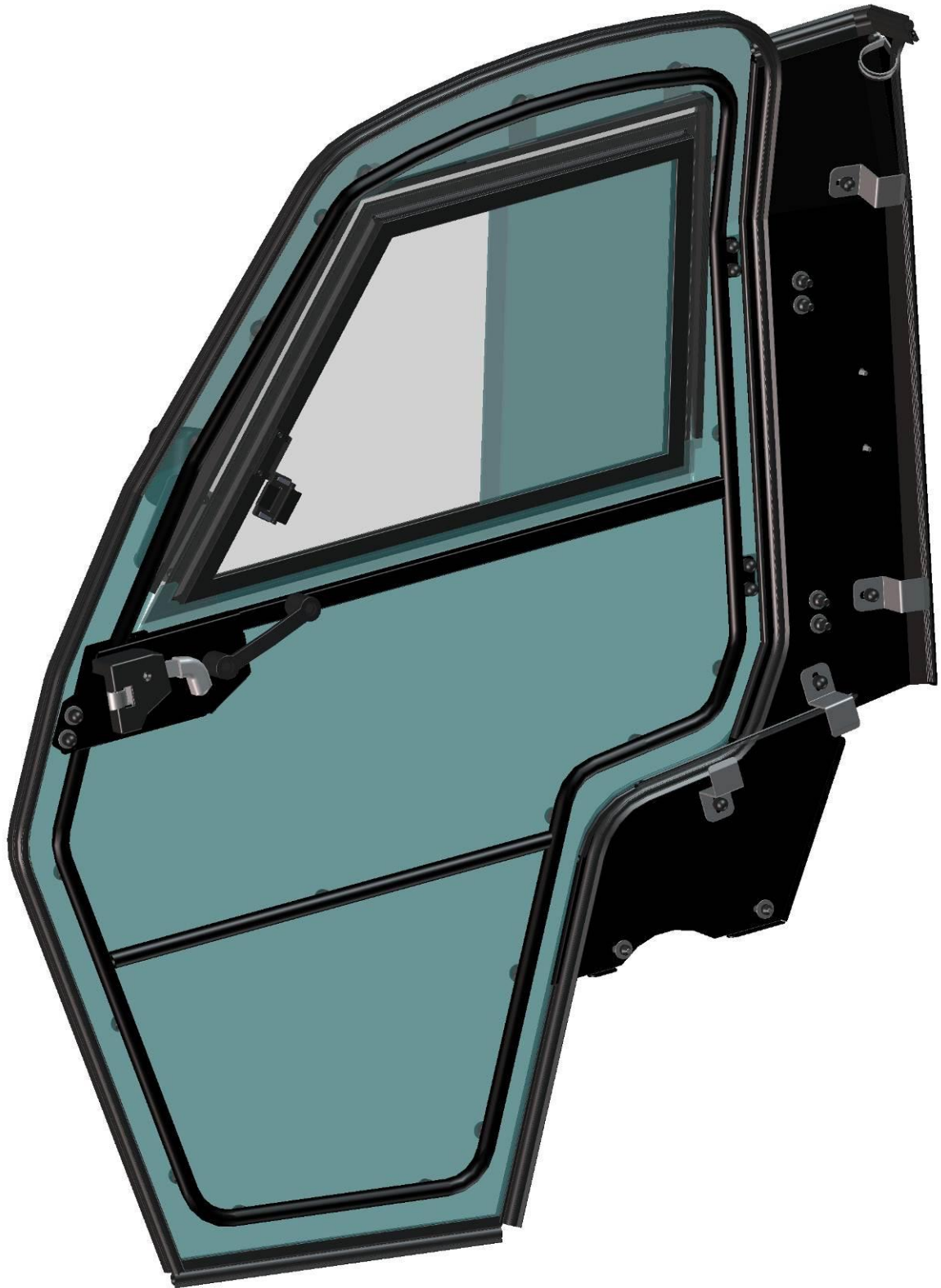
15



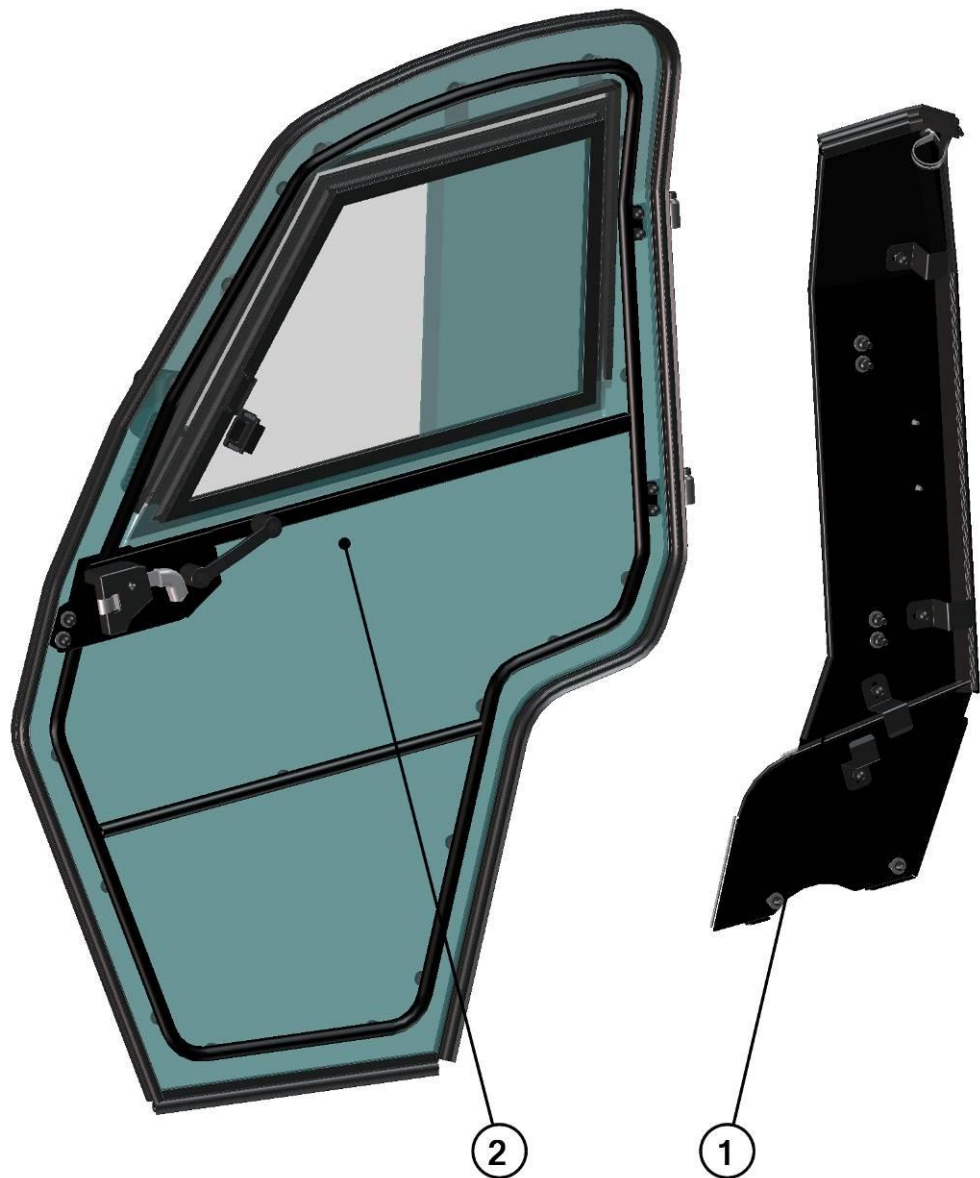
16

Position	Catalogue no.	Description	Qty
1	001010^61S02U01S30	RUBBER PROFILE "SARAZIN"	1
2	001001^61S02U01S30	RUBBER PROFILE "LEMOVKA"	1
3	61S02U01-30W001	ROOF PANEL WELDED	1
4	001589^61S02U01S30	RUBBER PROFILE "APOLLO"	1
5	001771^61S02U01S30	RUBBER PROFILE "KR 15x4"	1
6	001760	SCREW M8x35	5
7	001439	PLASTIC WASHER 8	5
8	001428	RUBBER WASHER 8	5
9	001407	WASHER 8 LARGE	5
10	001388	SELF-LOCKING NUT M8	5
11	001309	PLASTIC NUT COVER OK13	5
12	00-101U-004	ROOF HOLDER	5

LEFT DOOR + RIGHT DOOR



17



THE RIGHT DOOR AND THE LEFT DOOR IS SIMILAR, JUST USE CORRECT TABLE

RIGHT TABLE

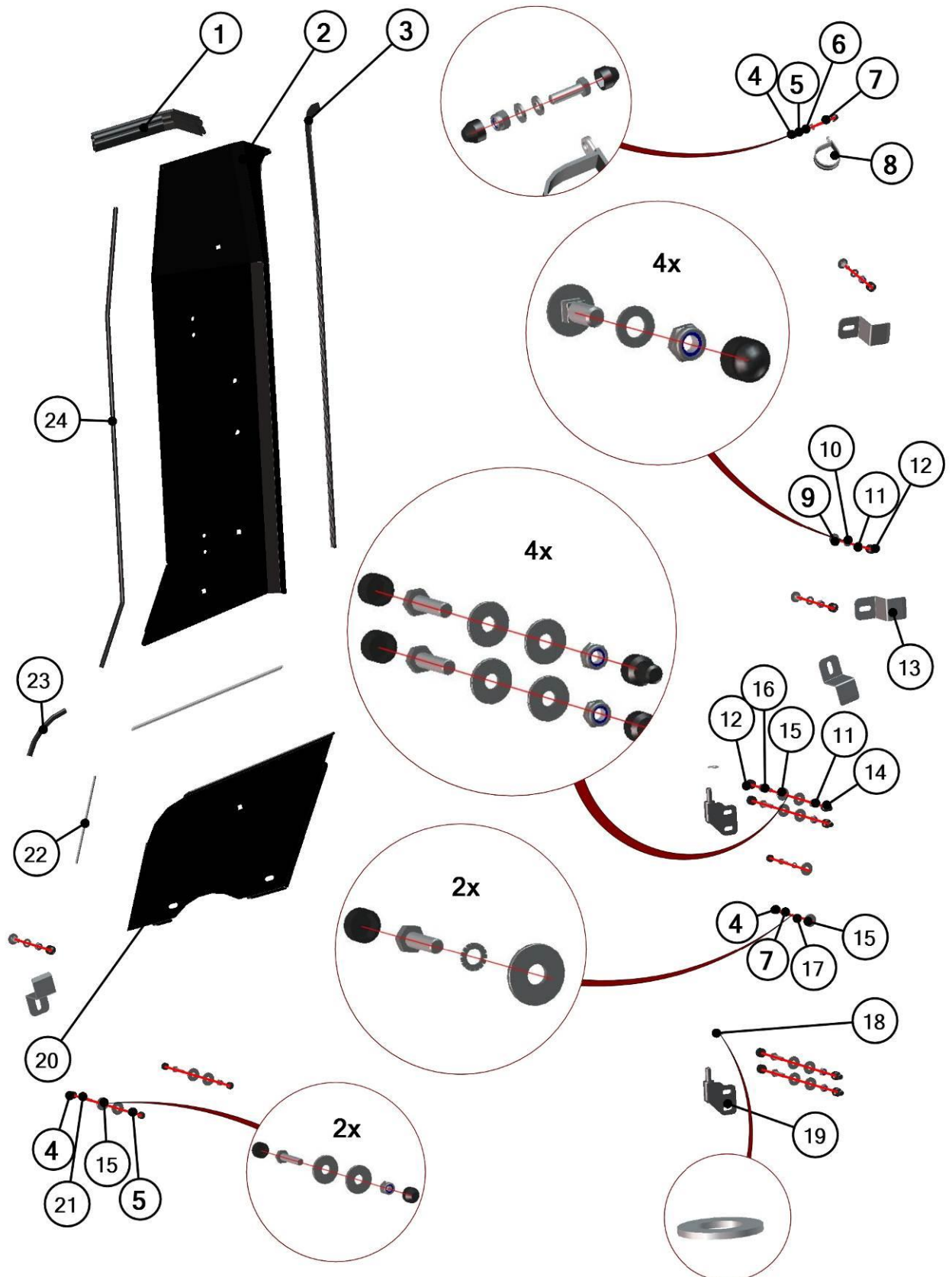
Position	Catalogue no.	Description	Qty
1	*****	RIGHT DOOR BASE WITH BOTTOM COVER	1
2	*****	RIGHT DOOR ASSEMBLY	1

LEFT TABLE

Position	Catalogue no.	Description	Qty
1	*****	LEFT DOOR BASE WITH BOTTOM COVER	1
2	*****	LEFT DOOR ASSEMBLY	1

DOOR BASE WITH BOTTOM COVER





20

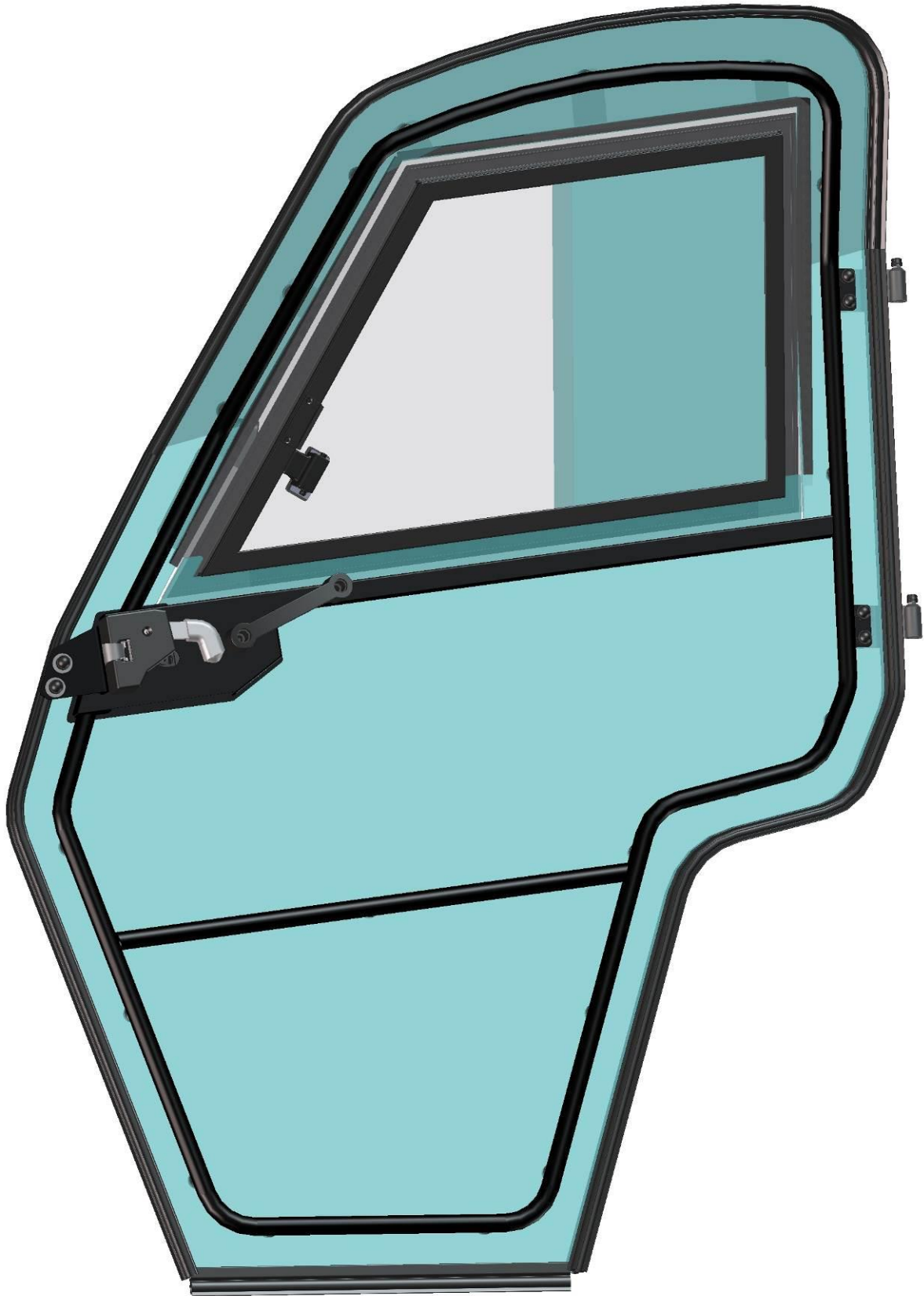
RIGHT TABLE

Position	Catalogue no.	Description	Qty
1	001005^61S02U01-50M001	RUBBER PROFILE "PIRELA STRAIGHT"	1
2	61S02U01-50W001	RIGHT DOOR BASE WELDED	1
3	001771^61S02U01-50M001	RUBBER PROFILE "KR15x4"	1
4	001348	PLASTIC NUT COVER OK10	8
5	001392	SELF-LOCKING NUT M6	3
6	001426	WASHER 6	2
7	001398	SCREW M6x20	3
8	002488	TIGHTENING STRAP	1
9	002575	SCREW M8x20	4
10	001387	WASHER 8	4
11	001388	SELF-LOCKING NUT M8	8
12	001309	PLASTIC NUT COVER OK13	6
13	00-101U-004	HOLDER	4
14	001308	PLASTIC NUT COVER OK13 LONG	4
15	001407	WASHER 8 LARGE	14
16	001411	SCREW M8x30	4
17	001488	SERTED-LOCK WASHER 6	2
18	001485	WASHER 10	2
19	00-105U-W001	RIGHT HINGE BASE	2
20	61S02U01-50-002	RIGHT BOTTOM LEDGE	1
21	001436	SCREW M6x30	2
22	001771^61S02U01-50M005	RUBBER PROFILE "KR15x4"	1
23	001001^61S02U01-50M005	RUBBER PROFILE "LEMOVKA"	1
24	001001^61S02U01-50M001	RUBBER PROFILE "LEMOVKA"	1

LEFT TABLE

Position	Catalogue no.	Description	Qty
1	001005^61S02U01-50M001	RUBBER PROFILE "PIRELA STRAIGHT"	1
2	61S02U01-40W001	LEFT DOOR BASE WELDED	1
3	001771^61S02U01-50M001	RUBBER PROFILE "KR15x4"	1
4	001348	PLASTIC NUT COVER OK10	8
5	001392	SELF-LOCKING NUT M6	3
6	001426	WASHER 6	2
7	001398	SCREW M6x20	3
8	002488	TIGHTENING STRAP	1
9	002575	SCREW M8x20	4
10	001387	WASHER 8	4
11	001388	SELF-LOCKING NUT M8	8
12	001309	PLASTIC NUT COVER OK13	6
13	00-101U-004	HOLDER	4
14	001308	PLASTIC NUT COVER OK13 LONG	4
15	001407	WASHER 8 LARGE	14
16	001411	SCREW M8x30	4
17	001488	SERTED-LOCK WASHER 6	2
18	001485	WASHER 10	2
19	00-105U-W002	LEFT HINGE BASE	2
20	61S02U01-40-002	LEFT BOTTOM LEDGE	1
21	001436	SCREW M6x30	2
22	001771^61S02U01-50M005	RUBBER PROFILE "KR15x4"	1
23	001001^61S02U01-50M005	RUBBER PROFILE "LEMOVKA"	1
24	001001^61S02U01-50M001	RUBBER PROFILE "LEMOVKA"	1

DOOR ASSEMBLY



23

RIGHT TABLE

Position	Catalogue no.	Description	Qty
1	61S02U01-50-016	DOOR GLASS MOVABLE	1
2	61S02U01-50-014	RIGHT WINDOW FRAME	1
3	61S02U01-50-015	DOOR GLASS SOLID	1
4	002120	SCREW M6x25	19
5	001715	PLASTIC WASHER 6	21
6	001735	RUBBER WASHER 6	21
7	001736	SEAT WASHER 6	19
8	001397	RIVET NUT M6	19
9	002557^61S02U01-50M002	RUBBER PROFILE "PIRELA G LONG"	1
10	001431	LUBRICATOR COVER	2
11	001430	LUBRICATOR	2
12	61S02U01-50W003	RIGHT HINGE DOOR	2
13	001309	PLASTIC NUT COVER OK13	10
14	001388	SELF-LOCKING NUT M8	6
15	001387	WASHER 8	8
16	001411	SCREW M8x30	4
17	61S02U01-50-003	RIGHT DOOR PANEL POLY	1
18	002658^61S02U01-50M002	RUBBER PROFILE "PIRELA G STRAIGHT"	1
19	61S02U01-50W002	RIGHT DOOR FRAME WELDED	1
20	001703	HANDLE	1
21	001407	WASHER 8 LARGE	2
22	002575	SCREW M8x20	2
23	61S02U01-50-009	RIGHT DOOR STOP HOLDER	1
24	000856	DOOR STOP NUT	1
25	000857	DOOR STOP WASHER	1
26	000855	DOOR STOP HOOK	1
27	000854	DOOR STOP PIN	1
28	001744	RIGHT INNER DOOR LOCK	1
29	000841	OUTER DOOR LOCK	1
30	61S02U01-50-011	WINDOW REAR EPDM	1
31	61S02U01-50-010	RIGHT WINDOW LEDGE	1
32	61S02U01-50-012	WINDOW FRONT EPDM	1
33	61S02U01-50-013	WINDOW UPPER EPDM	1
34	001700	GLASS LOCK	1
35	001762	GLASS STOP	1
36	001348	PLASTIC NUT COVER OK10	2
37	001392	SELF LOCKING NUT M6	2
38	001426	WASHER 6	2
39	001723	SCREW M6x20	2
40	001701	SCREW M6x30	2
41	00-109U-002	MIRROR HOLDER	1
42	002773	LEFT MIRROR	1






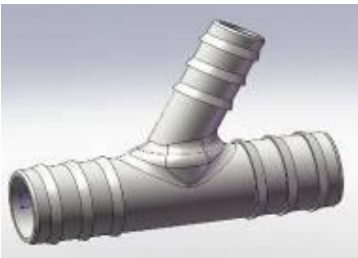



LEFT TABLE




Position	Catalogue no.	Description	Qty
1	61S02U01-50-016	DOOR GLASS MOVABLE	1
2	61S02U01-40-014	LEFT WINDOW FRAME	1
3	61S02U01-50-015	DOOR GLASS SOLID	1
4	002120	SCREW M6x25	19
5	001715	PLASTIC WASHER 6	21
6	001735	RUBBER WASHER 6	21
7	001736	SEAT WASHER 6	19
8	001397	RIVET NUT M6	19
9	002557^61S02U01-50M002	RUBBER PROFILE "PIRELA G LONG"	1
10	001431	LUBRICATOR COVER	2
11	001430	LUBRICATOR	2
12	61S02U01-40W003	LEFT HINGE DOOR	2
13	001309	PLASTIC NUT COVER OK13	10
14	001388	SELF-LOCKING NUT M8	6
15	001387	WASHER 8	8
16	001411	SCREW M8x30	4
17	61S02U01-40-003	LEFT DOOR PANEL POLY	1
18	002658^61S02U01-50M002	RUBBER PROFILE "PIRELA G STRAIGHT"	1
19	61S02U01-40W002	LEFT DOOR FRAME WELDED	1
20	001703	HANDLE	1
21	001407	WASHER 8 LARGE	2
22	002575	SCREW M8x20	2
23	61S02U01-40-009	LEFT DOOR STOP HOLDER	1
24	000856	DOOR STOP NUT	1
25	000857	DOOR STOP WASHER	1
26	000855	DOOR STOP HOOK	1
27	000854	DOOR STOP PIN	1
28	001743	LEFT INNER DOOR LOCK	1
29	000841	OUTER DOOR LOCK	1
30	61S02U01-50-011	WINDOW REAR EPDM	1
31	61S02U01-40-010	LEFT WINDOW LEDGE	1
32	61S02U01-50-012	WINDOW FRONT EPDM	1
33	61S02U01-50-013	WINDOW UPPER EPDM	1
34	001700	GLASS LOCK	1
35	001762	GLASS STOP	1
36	001348	PLASTIC NUT COVER OK10	2
37	001392	SELF LOCKING NUT M6	2
38	001426	WASHER 6	2
39	001723	SCREW M6x20	2
40	001701	SCREW M6x30	2
41	00-109U-002	MIRROR HOLDER	1
42	002773	LEFT MIRROR	1

ELECTROINSTALLATION

Position	Catalogue no.	Description	Qty
1	000968	SWITCH WIPER /WASHER /OFF	1
2	000885	WASHER TANK	1
3	001576	WASHER MOTOR	1
4	001652	FUSE BOX 2x1	1
5	002764	WIPER MOTOR 12V	1
6	61S03U01-01M001	WIPER HARNESS	1
7	61S02U01-02-001	HEATER HOLDER	1
8	002491	AIR VENT VALVE	1
9	002386	ELECTRIC VALVE	1
10	002795	PVC AIR HOSE	1
11	002642	TIGHTENING STRAP 14-27MM	8
12	002643	TIGHTENING STRAP 21-38MM	4
13	002705	AL SELFGLUED TAPE	1
14	002635	AIR VENT CORNER	4
15	002502	HEATER TUBE "Y"	2
16	002391	EL.VENT SWITCH	1
17	002702	HEATER SWITCH	1
18	61S03U01-02M001	HEATER HARNESS	1
19	000896	HEATER HOSE	1
20	002624	HEATER	1
21	61S03U01-03M001	WASHER HARNESS	1
22	002741	WATER PUMP	1
23	61S02U01-02PKM002	PUMP HARNESS	1

		
<p>Position : 1 Catalogue no.: 000968</p>	<p>Position : 2 Catalogue no.: 000885</p>	<p>Position : 3 Catalogue no.: 001576</p>
		
<p>Position : 4 Catalogue no.: 001652</p>	<p>Position : 5 Catalogue no.: 002764</p>	<p>Position : 6 Catalogue no.: 61S03U01-01M001</p>
		
<p>Position : 7 Catalogue no.: 61S02U01-02-001</p>	<p>Position : 8 Catalogue no.: 002491</p>	<p>Position : 9 Catalogue no.: 002386</p>

		
Position : 10	Position : 11	Position : 12
Catalogue no.: 002795	Catalogue no.: 002642	Catalogue no.: 002643
		
Position : 13	Position : 14	Position : 15
Catalogue no.: 002705	Catalogue no.: 002635	Catalogue no.: 002502
		
Position : 16	Position : 17	Position : 18
Catalogue no.: 002391	Catalogue no.: 002702	Catalogue no.: 61S03U01-02M001

		
<p>Position : 19</p> <p>Catalogue no.: 000896</p>	<p>Position :20</p> <p>Catalogue no.: 002624</p>	<p>Position :21</p> <p>Catalogue no.: 61S03U01-03M001</p>
		
<p>Position :22</p> <p>Catalogue no.: 002471</p>	<p>Position :23</p> <p>Catalogue no.: 61S02U01-02PKM002</p>	